

4

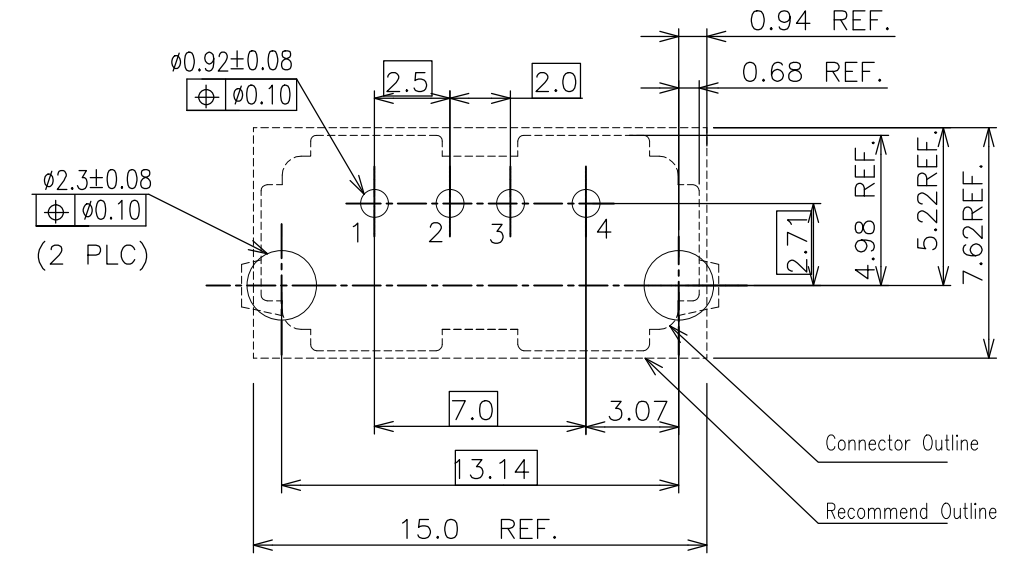
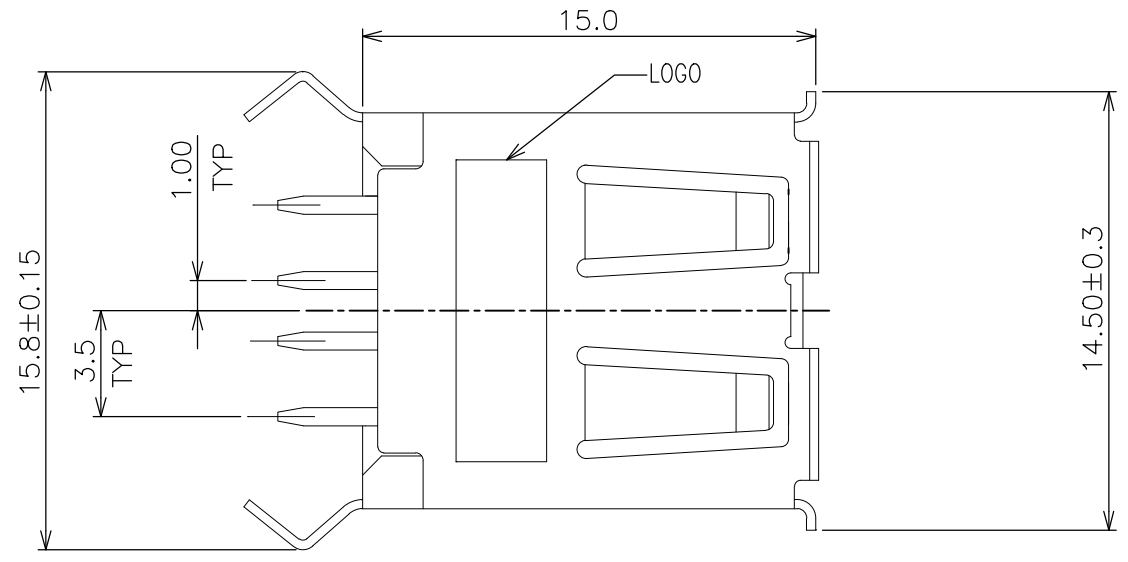
3

2

1

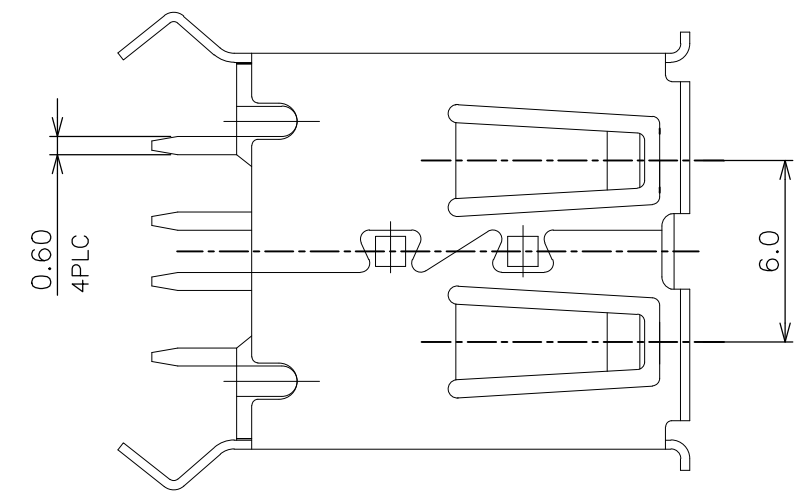
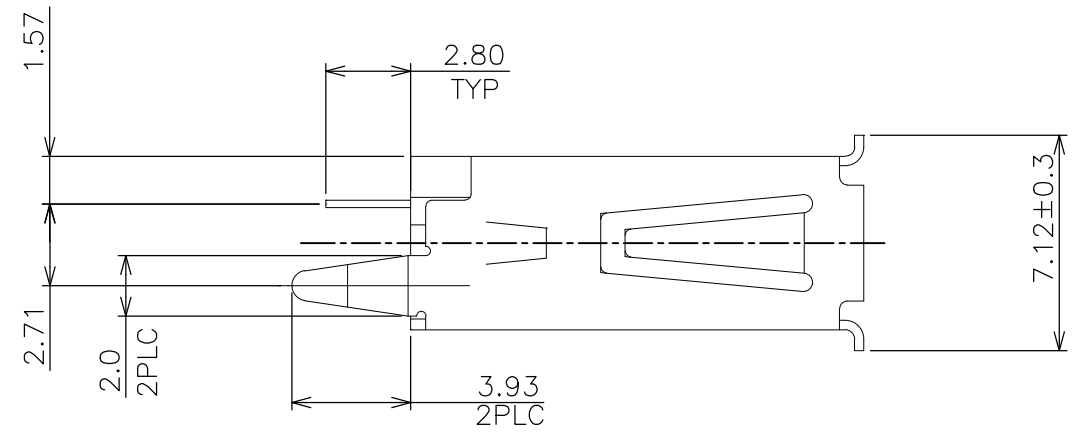
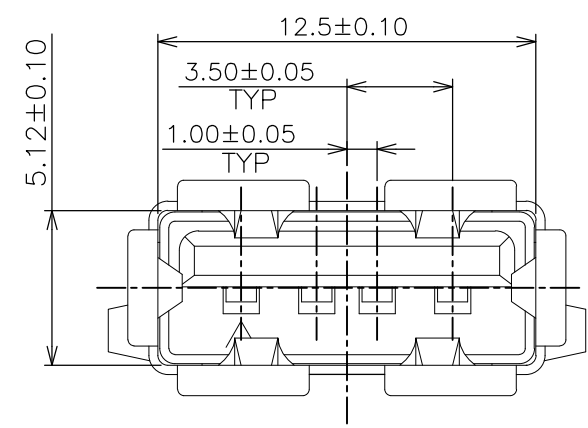
THIS DRAWING IS UNPUBLISHED. RELEASED FOR PUBLICATION
 © COPYRIGHT BY TYCO ELECTRONICS CORPORATION. ALL RIGHTS RESERVED.

LOC DW	DIST /	REVISIONS			
P	LTR	DESCRIPTION	DATE	DWN	APVD
	C5	REVISED PER E-17-008108	6JUN17	A.X	H.W



RECOMMENDED P.C. BOARD LAYOUT (T=1.6)
(TOP VIEW) (TOLERANCE: ±0.05)

- NOTE:
- MATERIAL:
 - HOUSING: PBT (SOLDER CAPABLE, UL 94-V0, COLOR: SEE TABLE.)
 - HOUSING: PA9T (REFLOW CAPABLE, UL 94-V0, COLOR: SEE TABLE.)
 - CAP: LCP (REFLOW CAPABLE, UL 94-V0, COLOR: BLACK.)
 - BACK STOPPER: PBT (SOLDER CAPABLE, UL 94-V0, COLOR: BLACK.)
 - CONTACT: PHOSPHOR BRONZE, THICKNESS = 0.25mm.
 - SHIELD: BRASS, THICKNESS = 0.30mm.
 - FINISH:
 - CONTACT: GOLD FLASH OVER
 - 0.762um [30u"] MIN. PALLADIUM-NICKEL PLATED ON CONTACT
 - 2.54um [100u"] MIN. MATTE-TIN ON SOLDER TAILS,
 - 1.27um [50u"] MIN. NICKEL UNDERPLATED ALL OVER.
 - SHIELD: 2.54um [100u"] MIN. TIN PLATED OVER
 - 1.27um [50u"] MIN. NICKEL UNDERPLATED
 - SHIELD: 0.762-2.03um [30-80u"] SOLDERABLE NICKEL OVER 0.762-2.03um [30-80u"] COPPER



SEE SHEET 4	BLACK	1734366-5	△	△
SEE SHEET 5	BLACK	1734366-4	△	△
	BLUE	1734366-3		
SEE SHEET 4	WHITE	1734366-2	△	△
	BLACK	1734366-1		
PACKING	HSG'S COLOR	PART NUMBER	HOUSING MATERIAL	SHIELD FINISH

THIS DRAWING IS A CONTROLLED DOCUMENT.		DWN S. CHIEN 19SEP2008	STE TE Connectivity											
		CHK S. CHIEN 19SEP2008												
		APVD W.KODAMA 19SEP2008	NAME											
DIMENSIONS: mm		PRODUCT SPEC 108-57547	RECEPT ASSY, VERTICAL, 4 POSITION THRU-HOLE, TYPE A USB											
TOLERANCES UNLESS OTHERWISE SPECIFIED:		APPLICATION SPEC 501-57635												
<table border="1"> <tr><td>0 PLC</td><td>± 0.38</td></tr> <tr><td>1 PLC</td><td>± 0.25</td></tr> <tr><td>2 PLC</td><td>± 0.13</td></tr> <tr><td>3 PLC</td><td>± 0.05</td></tr> </table>		0 PLC	± 0.38	1 PLC	± 0.25	2 PLC	± 0.13	3 PLC	± 0.05	WEIGHT 1.82 GRAMS	SIZE A3	CAGE CODE 00779	DRAWING NO C=1734366	RESTRICTED TO
0 PLC	± 0.38													
1 PLC	± 0.25													
2 PLC	± 0.13													
3 PLC	± 0.05													
MATERIAL SEE NOTE		FINISH SEE NOTE	CUSTOMER DRAWING		SCALE -	SHEET 1 OF 6	REV C5							

4

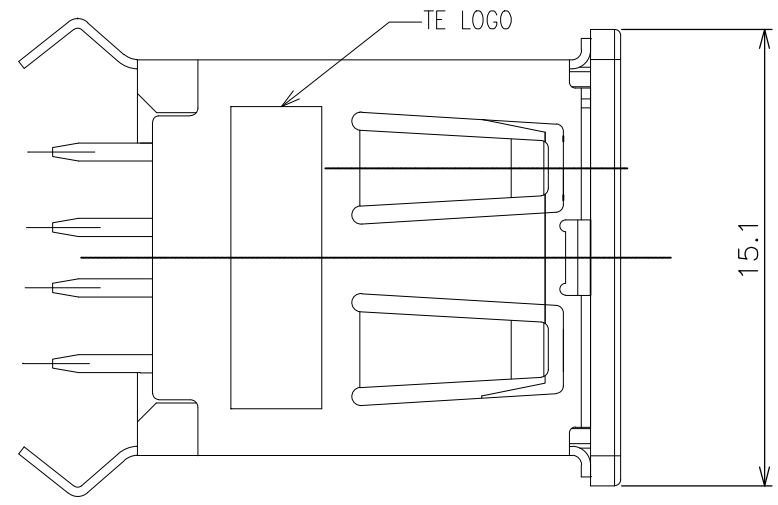
3

2

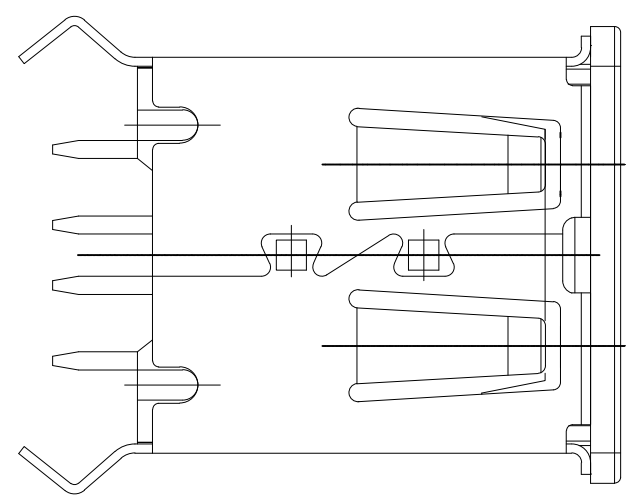
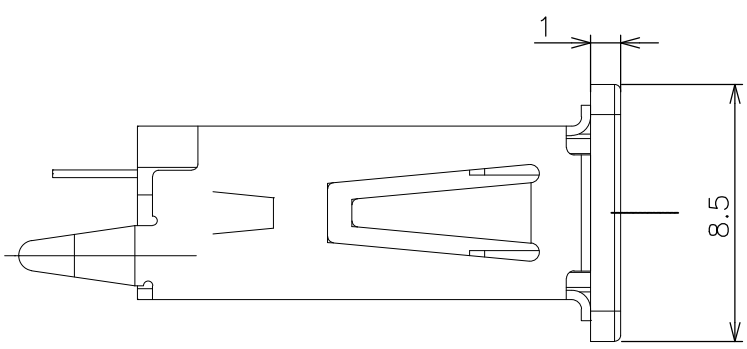
1

THIS DRAWING IS UNPUBLISHED. RELEASED FOR PUBLICATION
 © COPYRIGHT BY TYCO ELECTRONICS CORPORATION. ALL RIGHTS RESERVED.

LOC		DIST		REVISIONS				
P	LTR	DESCRIPTION			DATE	DWN	APVD	



1734366-6 AS SHOW
 OTHER DIMENSIONS ARE THE SAME AS SHEET1



SEE SHEET 6	BLACK	1734366-6	△	△
PACKING	HSG'S COLOR	PART NUMBER	HOUSING MATERIAL	SHIELD FINISH

THIS DRAWING IS A CONTROLLED DOCUMENT.		DWN														
DIMENSIONS: mm		CHK														
		APVD														
<table border="1"> <thead> <tr> <th colspan="2">TOLERANCES UNLESS OTHERWISE SPECIFIED:</th> </tr> </thead> <tbody> <tr> <td>0 PLC</td> <td>± 0.38</td> </tr> <tr> <td>1 PLC</td> <td>± 0.25</td> </tr> <tr> <td>2 PLC</td> <td>± 0.13</td> </tr> <tr> <td>3 PLC</td> <td>± 0.05</td> </tr> <tr> <td colspan="2">ANGLES ± 2°</td> </tr> <tr> <td colspan="2">FINISH</td> </tr> </tbody> </table>		TOLERANCES UNLESS OTHERWISE SPECIFIED:				0 PLC	± 0.38	1 PLC	± 0.25	2 PLC	± 0.13	3 PLC	± 0.05	ANGLES ± 2°		FINISH
TOLERANCES UNLESS OTHERWISE SPECIFIED:																
0 PLC	± 0.38															
1 PLC	± 0.25															
2 PLC	± 0.13															
3 PLC	± 0.05															
ANGLES ± 2°																
FINISH																
MATERIAL	FINISH	PRODUCT SPEC	RECEPT ASSY,VERTICAL,4POSITION THRU-HOLE,TYPE A USB													
		APPLICATION SPEC	SIZE	CAGE CODE	DRAWING NO	RESTRICTED TO										
		WEIGHT	A3	00779	C=1734366											
CUSTOMER DRAWING			SCALE	SHEET	REV											
				2 OF 6	C5											

4

3

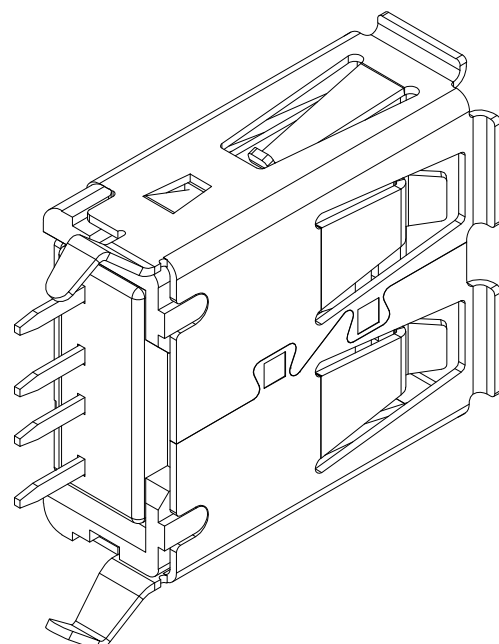
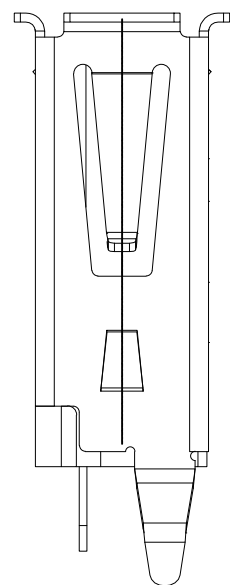
2

1

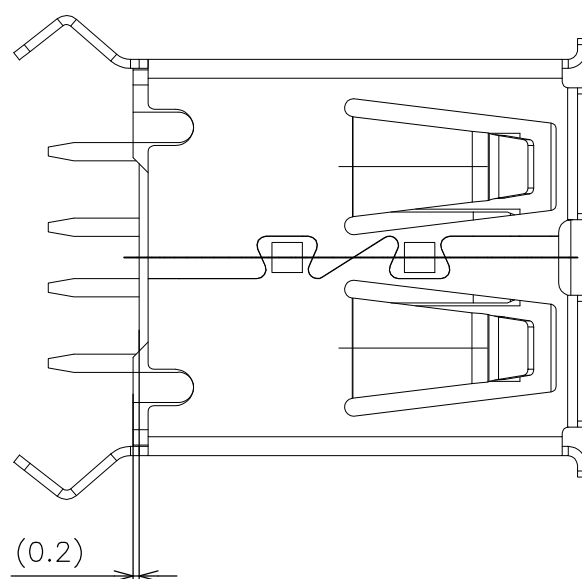
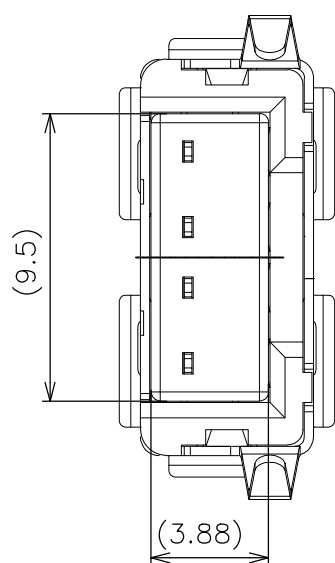
THIS DRAWING IS UNPUBLISHED. RELEASED FOR PUBLICATION
© COPYRIGHT BY TYCO ELECTRONICS CORPORATION. ALL RIGHTS RESERVED.

LOC DW
DIST

REVISIONS				
P	LTR	DESCRIPTION	DATE	APVD



1734366-7 AS SHOW
OTHER DIMENSIONS ARE THE SAME AS SHEET1

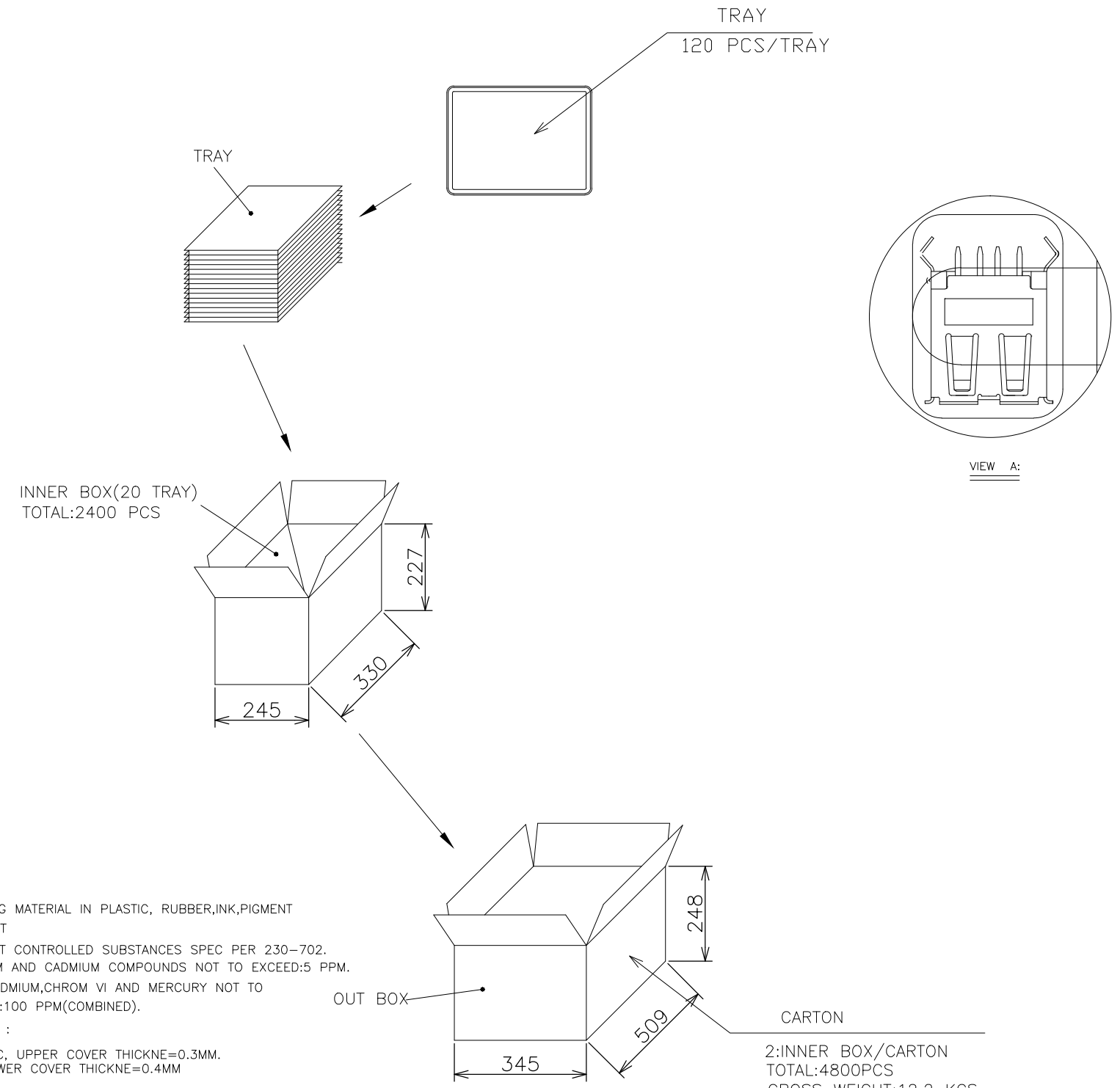


SEE SHEET 4	BLACK	1734366-7	△	△
PACKING	HSG'S COLOR	PART NUMBER	HOUSING MATERIAL	SHIELD FINISH

THIS DRAWING IS A CONTROLLED DOCUMENT.		DWN	STE TE Connectivity										
DIMENSIONS: mm		CHK											
TOLERANCES UNLESS OTHERWISE SPECIFIED:		APVD	NAME										
<table border="1"> <tr><td>0 PLC</td><td>± 0.38</td></tr> <tr><td>1 PLC</td><td>± 0.25</td></tr> <tr><td>2 PLC</td><td>± 0.13</td></tr> <tr><td>3 PLC</td><td>± 0.05</td></tr> </table>		0 PLC	± 0.38	1 PLC	± 0.25	2 PLC	± 0.13	3 PLC	± 0.05	PRODUCT SPEC	RECEPT ASSY,VERTICAL,4POSITION THRU-HOLE,TYPE A USB		
0 PLC	± 0.38												
1 PLC	± 0.25												
2 PLC	± 0.13												
3 PLC	± 0.05												
MATERIAL		APPLICATION SPEC	SIZE	CAGE CODE	DRAWING NO	RESTRICTED TO							
FINISH		WEIGHT	A3	00779	C=1734366	—							
CUSTOMER DRAWING			SCALE	SHEET	REV								
			—	3 OF 6	C5								

THIS DRAWING IS UNPUBLISHED. RELEASED FOR PUBLICATION
 © COPYRIGHT BY TYCO ELECTRONICS CORPORATION. ALL RIGHTS RESERVED.

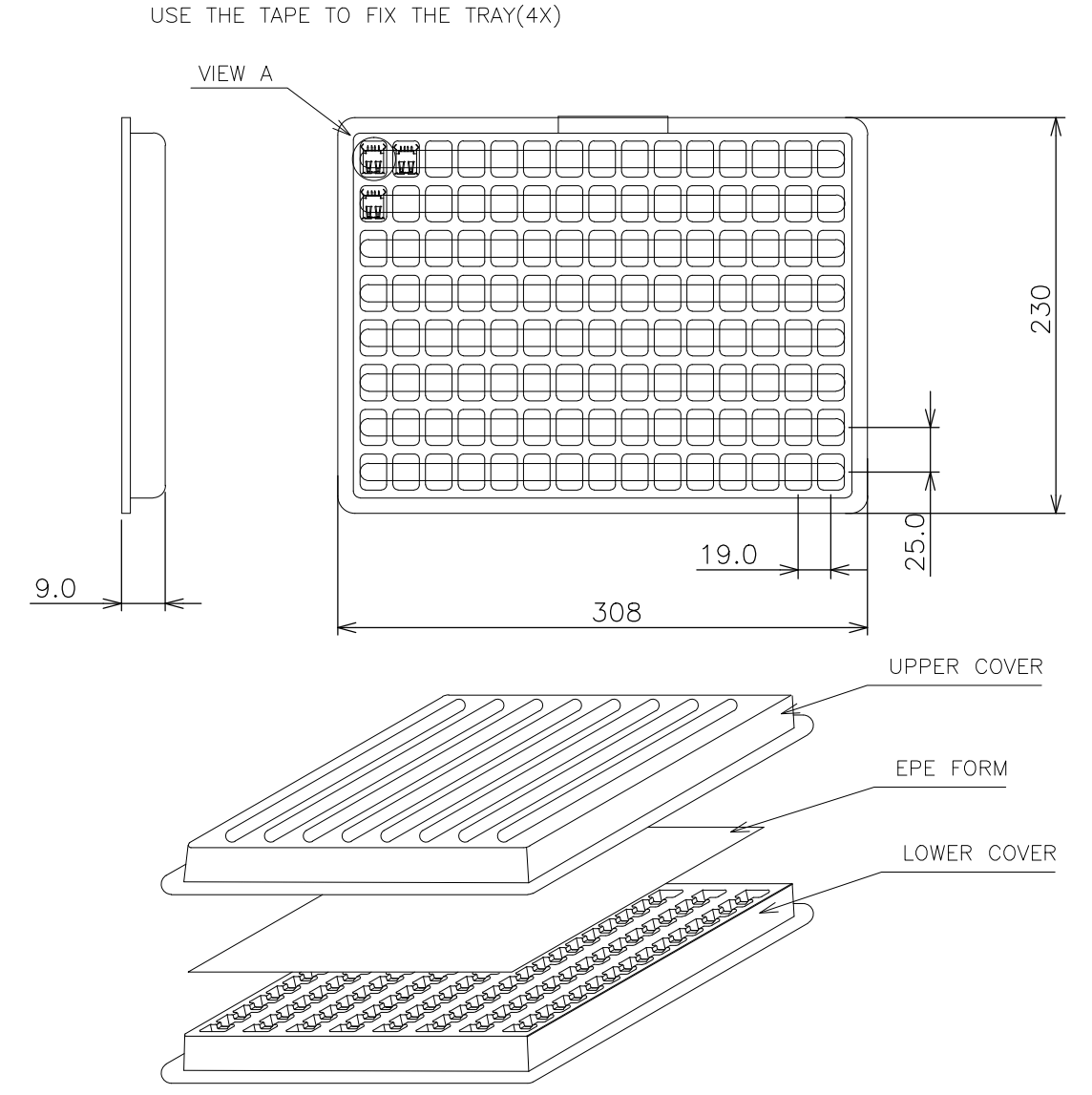
LOC	DIST	REVISIONS			
P	LTR	DESCRIPTION	DATE	DWN	APVD



NOTE :

- PACKAGING MATERIAL IN PLASTIC, RUBBER,INK,PIGMENT AND PAINT
 MUST MEET CONTROLLED SUBSTANCES SPEC PER 230-702.
 * CADMIUM AND CADMIUM COMPOUNDS NOT TO EXCEED:5 PPM.
 * LEAD,CADMIUM,CHROM VI AND MERCURY NOT TO EXCEED:100 PPM(COMBINED).
- MATERIAL :
 TRAY: PVC, UPPER COVER THICKNE=0.3MM.
 LOWER COVER THICKNE=0.4MM

2:INNER BOX/CARTON
 TOTAL:4800PCS
 GROSS WEIGHT:12.2 KGS
 NET WEIGHT:11.2 KGS

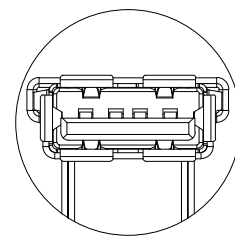
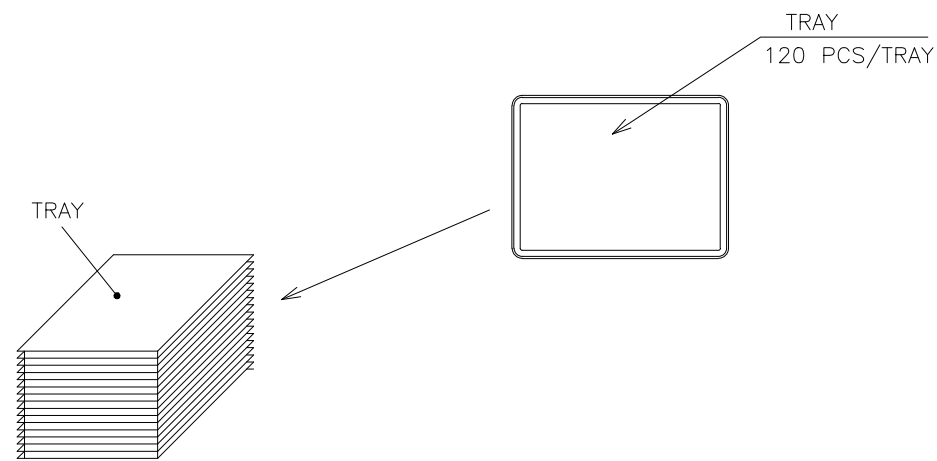


4800	1734366-7
4800	1734366-5
4800	1734366-2
4800	1734366-1
QTY	PART NUMBER

THIS DRAWING IS A CONTROLLED DOCUMENT.		DWN		STE TE Connectivity	
DIMENSIONS: mm		CHK			
TOLERANCES UNLESS OTHERWISE SPECIFIED:		APVD		NAME	
0 PLC ± -		PRODUCT SPEC		RECEIPT ASSY,VERTICAL,4POSITION THRU-HOLE,TYPE A USB	
1 PLC ± 0.3		APPLICATION SPEC		SIZE CAGE CODE DRAWING NO RESTRICTED TO	
2 PLC ± 0.2		WEIGHT		A3 00779 C=1734366	
3 PLC ± 0.15		CUSTOMER DRAWING		SCALE SHEET 4 OF 6 REV C5	
4 PLC ANGLES ± 3°		FINISH			

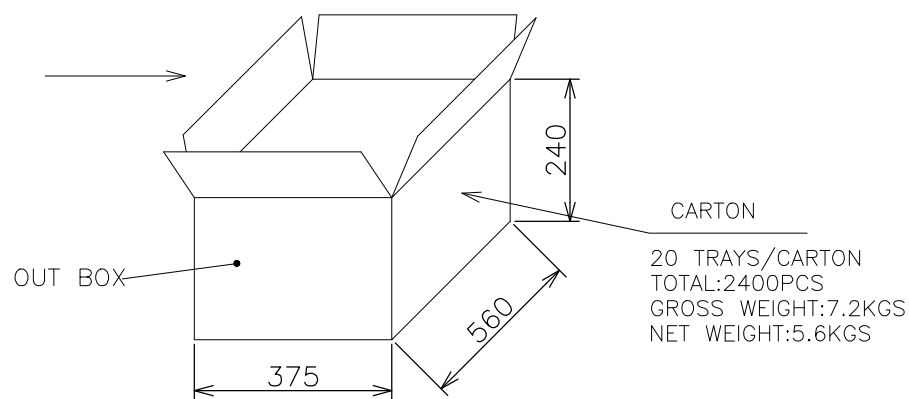
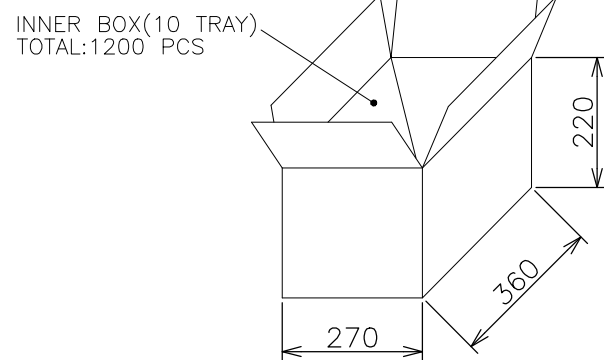
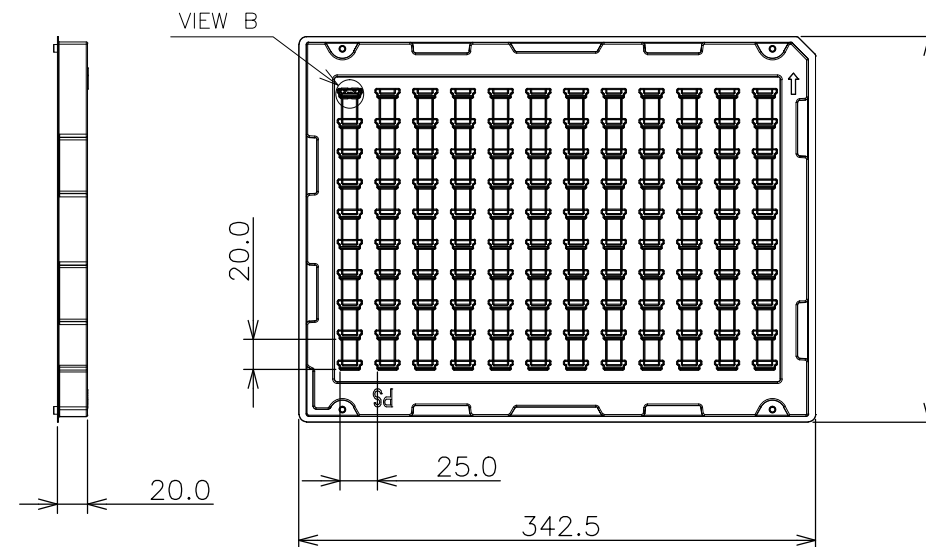
THIS DRAWING IS UNPUBLISHED. RELEASED FOR PUBLICATION
 © COPYRIGHT BY TYCO ELECTRONICS CORPORATION. ALL RIGHTS RESERVED.

LOC	DIST	REVISIONS			
P	LTR	DESCRIPTION	DATE	DWN	APVD
DW					

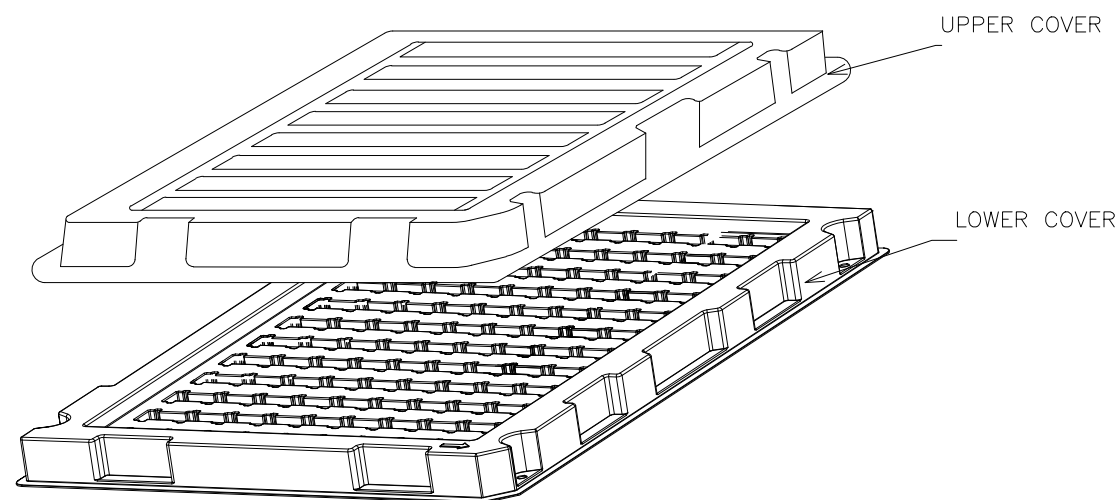


VIEW B:

USE THE TAPE TO FIX THE TRAY(4X)



CARTON
 20 TRAYS/CARTON
 TOTAL:2400PCS
 GROSS WEIGHT:7.2KGS
 NET WEIGHT:5.6KGS



NOTE :
 1. PACKAGING MATERIAL IN PLASTIC, RUBBER,INK,PIGMENT AND PAINT
 MUST MEET CONTROLLED SUBSTANCES SPEC PER 230-702.
 * CADMIUM AND CADMIUM COMPOUNDS NOT TO EXCEED:5 PPM.
 * LEAD,CADMIUM,CHROM VI AND MERCURY NOT TO EXCEED:100 PPM(COMBINED).
 2. MATERIAL :
 TRAY: PS, UPPER COVER THICKNE=0.5MM.
 LOWER COVER THICKNE=0.7MM

2400	1734366-4
2400	1734366-3
QTY	PART NUMBER

THIS DRAWING IS A CONTROLLED DOCUMENT.		DWN	TE Connectivity		
DIMENSIONS: mm		CHK	RECEIPT ASSY,VERTICAL,4POSITION THRU-HOLE,TYPE A USB		
TOLERANCES UNLESS OTHERWISE SPECIFIED:		APVD	NAME	RESTRICTED TO	
0 PLC ± -		PRODUCT SPEC	SIZE	CAGE CODE	DRAWING NO
1 PLC ± 0.3		APPLICATION SPEC	A3	00779	©=1734366
2 PLC ± 0.2		WEIGHT	SCALE		
3 PLC ± 0.15		CUSTOMER DRAWING	SHEET 5 of 6		
4 PLC ± -			REV C5		
ANGLES ± 3'					
MATERIAL					
FINISH					

4

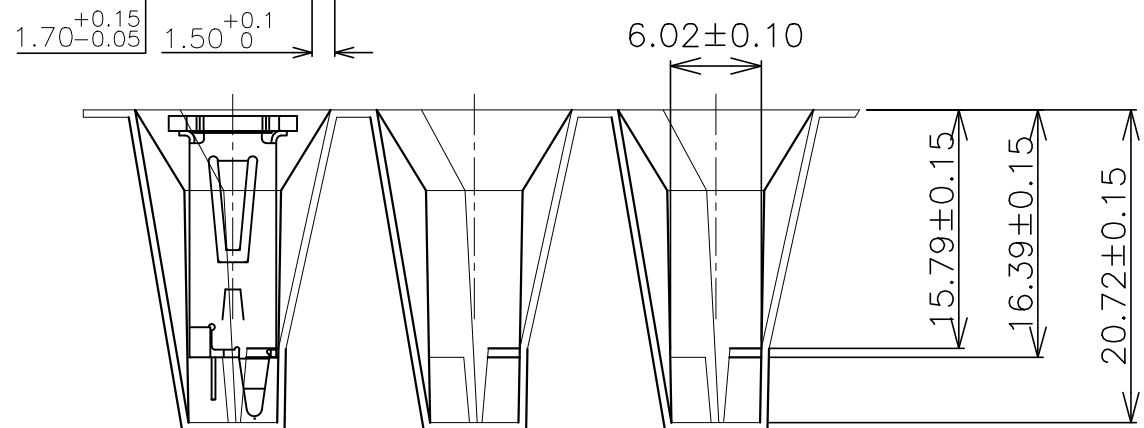
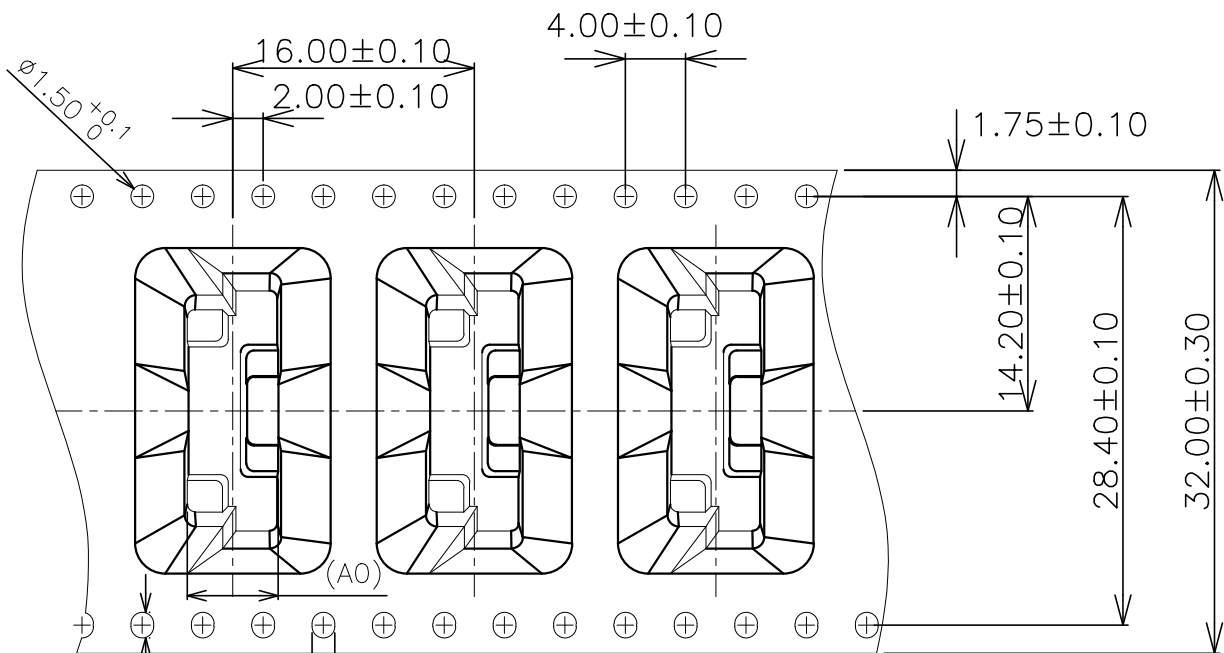
3

2

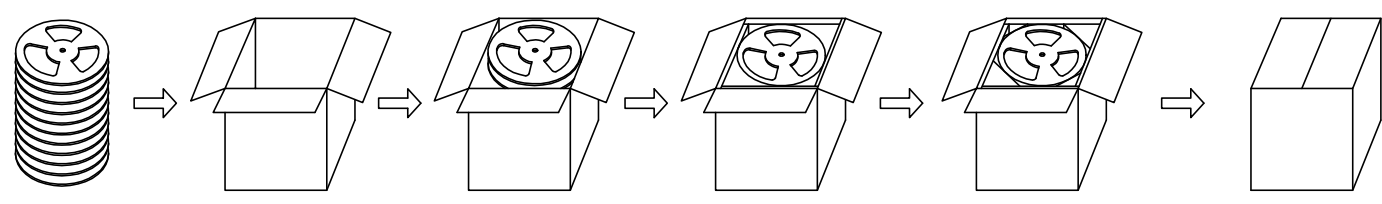
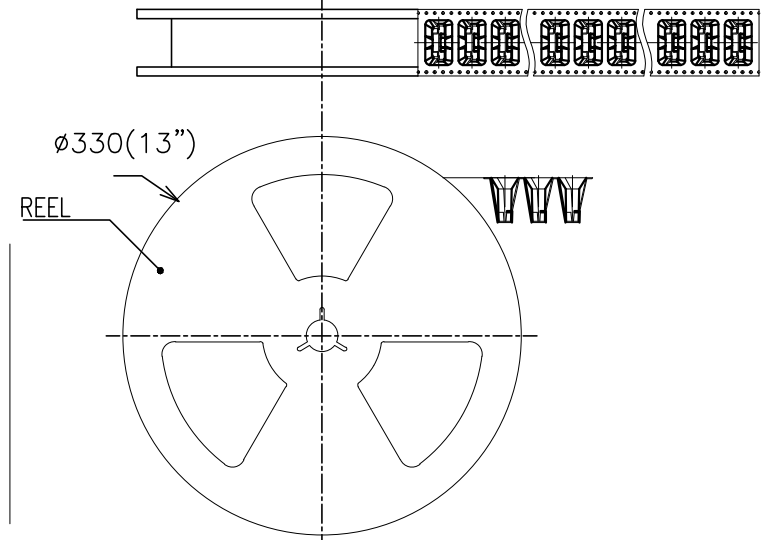
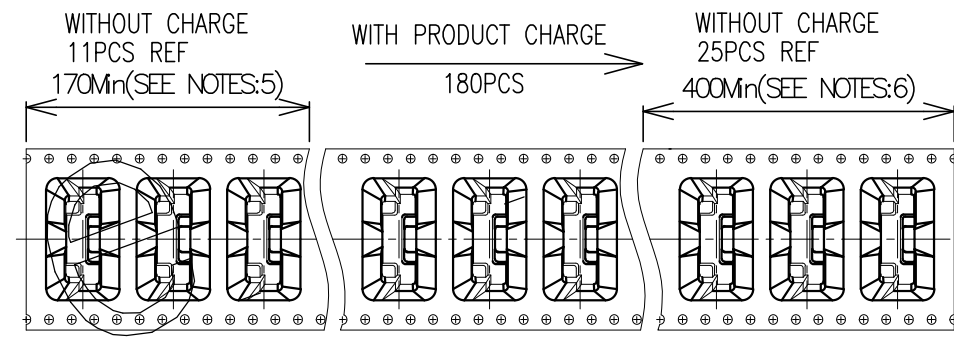
1

THIS DRAWING IS UNPUBLISHED. RELEASED FOR PUBLICATION
 © COPYRIGHT BY TYCO ELECTRONICS CORPORATION. ALL RIGHTS RESERVED.

LOC		DIST		REVISIONS			
P	LTR	DESCRIPTION		DATE	DWN	APVD	
DW	/						



NOTE :
 1. PACKAGING MATERIAL IN PLASTIC, RUBBER, INK, PIGMENT AND PAINT
 MUST MEET CONTROLLED SUBSTANCES SPEC PER 230-702.
 * CADMIUM AND CADMIUM COMPOUNDS NOT TO EXCEED:5 PPM.
 * LEAD, CADMIUM, CHROM VI AND MERCURY NOT TO EXCEED:100 PPM (COMBINED).
 2. MATERIAL :
 REEL: BLACK CONDUCTIVE POLYSTYRENE ALLOY



OUT BOX PACKAGE DIAGRAM DRAWING

1440	1734366-6
QTY	PART NUMBER

THIS DRAWING IS A CONTROLLED DOCUMENT.		DWN	TE Connectivity	
DIMENSIONS: mm		CHK	RECEIPT ASSY, VERTICAL, 4 POSITION THRU-HOLE, TYPE A USB	
TOLERANCES UNLESS OTHERWISE SPECIFIED:		APVD	NAME	
0 PLC ± -		PRODUCT SPEC	SIZE CAGE CODE DRAWING NO RESTRICTED TO	
1 PLC ± 0.3		APPLICATION SPEC	A3 00779 C=1734366	
2 PLC ± 0.2		WEIGHT	SCALE SHEET 6 OF 6 REV C5	
3 PLC ± 0.15		CUSTOMER DRAWING		
4 PLC ± -				
ANGLES ± 3'				
MATERIAL FINISH				



Компания «ЭлектроПласт» предлагает заключение долгосрочных отношений при поставках импортных электронных компонентов на взаимовыгодных условиях!

Наши преимущества:

- Оперативные поставки широкого спектра электронных компонентов отечественного и импортного производства напрямую от производителей и с крупнейших мировых складов;
- Поставка более 17-ти миллионов наименований электронных компонентов;
- Поставка сложных, дефицитных, либо снятых с производства позиций;
- Оперативные сроки поставки под заказ (от 5 рабочих дней);
- Экспресс доставка в любую точку России;
- Техническая поддержка проекта, помощь в подборе аналогов, поставка прототипов;
- Система менеджмента качества сертифицирована по Международному стандарту ISO 9001;
- Лицензия ФСБ на осуществление работ с использованием сведений, составляющих государственную тайну;
- Поставка специализированных компонентов (Xilinx, Altera, Analog Devices, Intersil, Interpoint, Microsemi, Aeroflex, Peregrine, Syfer, Eurofarad, Texas Instrument, Miteq, Cobham, E2V, MA-COM, Hittite, Mini-Circuits, General Dynamics и др.);

Помимо этого, одним из направлений компании «ЭлектроПласт» является направление «Источники питания». Мы предлагаем Вам помощь Конструкторского отдела:

- Подбор оптимального решения, техническое обоснование при выборе компонента;
- Подбор аналогов;
- Консультации по применению компонента;
- Поставка образцов и прототипов;
- Техническая поддержка проекта;
- Защита от снятия компонента с производства.



Как с нами связаться

Телефон: 8 (812) 309 58 32 (многоканальный)

Факс: 8 (812) 320-02-42

Электронная почта: org@eplast1.ru

Адрес: 198099, г. Санкт-Петербург, ул. Калинина, дом 2, корпус 4, литера А.