

**PLEASE CHECK WWW.MOLEX.COM FOR LATEST PART INFORMATION**

**Part Number:** **0528852474**  
**Status:** **Active**  
**Description:** 0.635mm (.025") Pitch SlimStack™ Receptacle, Surface Mount, Dual Row, Vertical Stacking, 5.00 to 10.00mm (.197 to .394") Stacking Heights, Embossed Tape with Cover Packaging, 240 Circuits, Lead-free

**Documents:**

[3D Model](#) [Product Specification PS-52760-015 \(PDF\)](#)  
[Drawing \(PDF\)](#) [RoHS Certificate of Compliance \(PDF\)](#)

**Agency Certification**

UL E29179

**General**

Product Family PCB Receptacles  
 Series [52885](#)  
 Application Board-to-Board  
 Comments Stacking-Type  
 Product Name SlimStack™

**Physical**

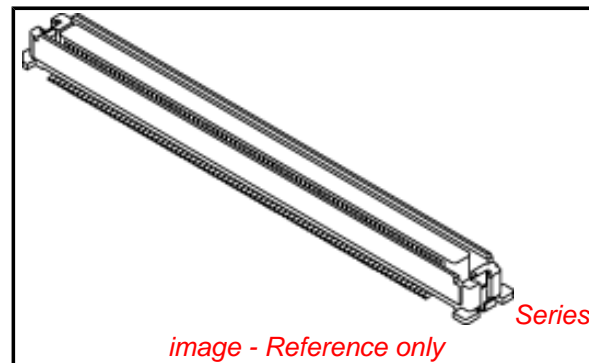
Circuits (Loaded) 240  
 Color - Resin Natural  
 Durability (mating cycles max) 50  
 Flammability 94V-0  
 Glow-Wire Compliant No  
 Mated Height (mm) 10.00 mm, 5.00 mm, 6.00 mm, 7.00 mm, 8.00 mm, 9.00 mm  
 Material - Metal Phosphor Bronze  
 Material - Plating Mating Gold  
 Material - Plating Termination Tin  
 Material - Resin High Temperature Thermoplastic  
 Number of Rows 2  
 Orientation Vertical  
 PCB Locator Yes  
 PCB Retention Yes  
 Packaging Type Embossed Tape on Reel  
 Pitch - Mating Interface (in) 0.025 In  
 Pitch - Mating Interface (mm) 0.64 mm  
 Plating min: Mating (µin) 10  
 Plating min: Mating (µm) 0.25  
 Plating min: Termination (µin) 80  
 Plating min: Termination (µm) 2  
 Polarized to PCB Yes  
 Robotic Placement Pick and Place Cap  
 Surface Mount Compatible (SMC) N/A  
 Temperature Range - Operating -55°C to +85°C  
 Termination Interface: Style Surface Mount

**Electrical**

Current - Maximum per Contact 0.5A  
 Voltage - Maximum 100V

**Material Info**

**Reference - Drawing Numbers**



**EU RoHS**

**ELV and RoHS Compliant**  
**REACH SVHC Contains SVHC: No**  
**Halogen-Free Status Not Reviewed**

**China RoHS**



**Need more information on product environmental compliance?**

Email [productcompliance@molex.com](mailto:productcompliance@molex.com)  
 For a multiple part number RoHS Certificate of Compliance, [click here](#)

Please visit the [Contact Us](#) section for any non-product compliance questions.

**Search Parts in this Series**

[52885Series](#)

**Mates With**

[55091](#) , [53649](#) , [53643](#) , [53475](#) , [53627](#) , [53553](#) , [53552](#) , [53647](#) , [53551](#) , [53481](#) , [53625](#)

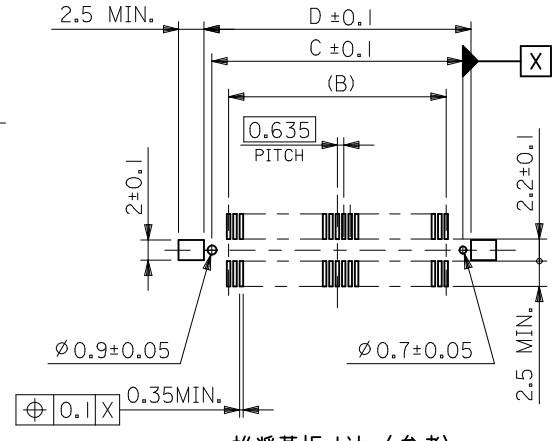
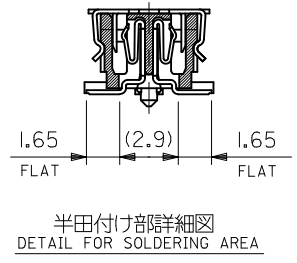
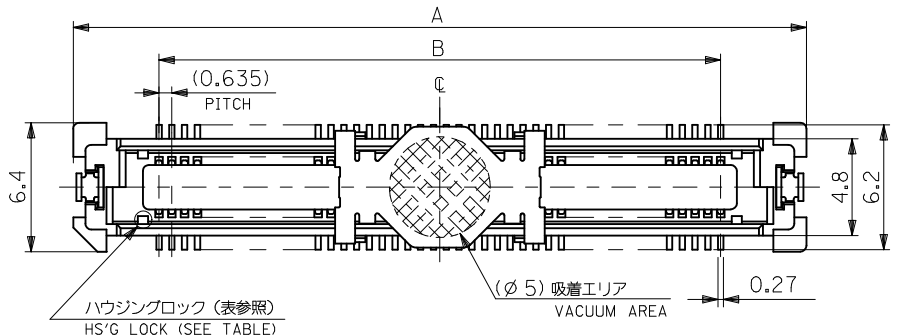
Product Specification

Sales Drawing

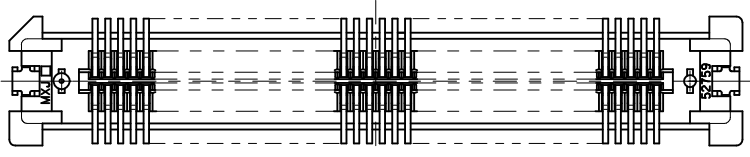
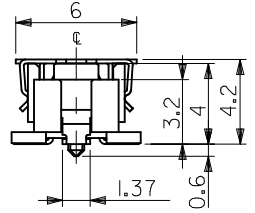
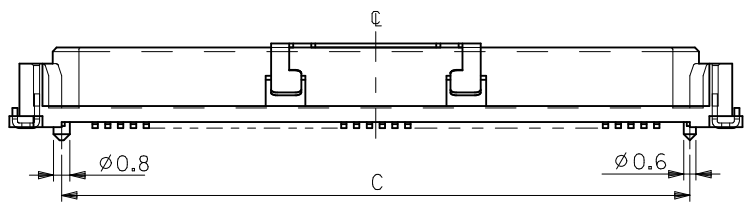
PS-52760-015, RPS-52760-017, RPS-52760-018,  
RPS-52760-020, RPS-52760-021, RPS-52760-029,  
RPS-52885-007, RPS-52885-008, RPS-52885-009  
SD-52885-003, SD-52885-004

This document was generated on 04/15/2010

**PLEASE CHECK [WWW.MOLEX.COM](http://WWW.MOLEX.COM) FOR LATEST PART INFORMATION**



推奨基板寸法 (参考)  
RECOMMENDED PCB PATTERN LAYOUT (REF.)  
(SCALE 2:1)



- 注) NOTES
- 材質 MATERIAL  
ハウジング: ガラス入りLCP, 白色, UL94V-0  
HOUSING: G.F.LCP, WHITE, UL94V-0  
ターミナル: 銅合金 (t = 0.2)  
TERMINAL: COPPER ALLOY  
吸着カバー: ステンレス (t = 0.2)  
VACUUM COVER: STAINLESS STEEL  
補強金具: 銅合金 (t = 0.25)  
FITTING NAIL: COPPER ALLOY
  - メッキ仕様 PLATING  
ターミナル: 接点部: 金メッキ 0.25 マイクロメートル以上  
CONTACT AREA: GOLD 0.25 MICROMETER MINIMUM  
半田付け部: 錫メッキ 1.0 マイクロメートル以上  
SOLDER TAIL AREA: TIN 1.0 MICROMETER MINIMUM  
下地メッキ: ニッケルメッキ 1.5 マイクロメートル以上  
UNDER-PLATING: NICKEL 1.5 MICROMETER MINIMUM  
補強金具: 錫メッキ 1.0 マイクロメートル以上  
FITTING NAIL: TIN 1.0 MICROMETER MINIMUM  
下地メッキ: ニッケルメッキ 1.0 マイクロメートル以上  
UNDER-PLATING: NICKEL 1.0 MICROMETER MINIMUM

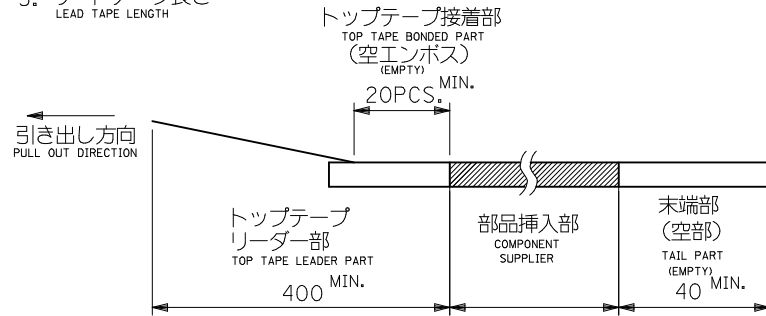
- テールのバラツキ寸法 TAIL COPLANARITY  
240極以下品のテール平坦度は0.1MAX.,  
240極品のテール平坦度は0.12MAX.とする。  
TAILS COPLANARITY TO BE 0.1MAX.  
IN 240 CIRCUITS, TAILS COPLANARITY TO BE 0.12MAX.
- エンボス対応済みの極数については, SD-52885-004を参照下さい。  
FOR THE EMBOSSED PACKAGE PRODUCTS, SEE SD-52885-004.

無し NO	80.47	78.87	75.565	84.07	52885-2474	240
	67.77	66.17	62.865	71.37	52885-2074	200
	55.07	53.47	50.165	58.67	52885-1674	160
	48.72	47.12	43.815	52.32	52885-1474	140
	42.37	40.77	37.465	45.97	52885-1274	120
	36.02	34.42	31.115	39.62	52885-1074	100
	32.85	31.25	27.94	36.45	↑ -0974	90
29.67	28.07	24.765	33.27	↑ -0874	80	
有り YES	26.5	24.9	21.59	30.1	↑ -0774	70
	23.32	21.72	18.415	26.92	↑ -0674	60
	20.15	18.55	15.24	23.75	↑ -0574	50
	16.97	15.37	12.065	20.57	↑ -0474	40
ハウジングブロック HS'G LOCK	13.8	12.2	8.89	17.4	↓ -0374	30
	10.62	9.02	5.715	14.22	↓ -0274	20
CONNECTORS SERIES No.					52885-***72	極数 CKT. NO.

REVISED EC NO: J2010-2458 DRWN: KAIHO 2010/06/04 CHKD: T. JO 2010/06/10 APPR: MSASAO 2010/06/11	GENERAL TOLERANCES (UNLESS SPECIFIED)		DIMENSION STYLE MM ONLY		SCALE ---	DESIGN UNITS METRIC	THIRD ANGLE PROJECTION
	10 UNDER	± 0.2	DRAWN BY M. NAGATA	DATE 2004/02/25	TITLE 0.635 PITCH B TO B S/T REC. HSG ASSY -LEAD FREE-		
	10 OVER 30 UNDER	± 0.25	CHECKED BY K. TOJO	DATE 2004/02/25	MOLEX INCORPORATED		
	30 OVER	± 0.3	APPROVED BY M. SASAO	DATE 2004/02/25	DOCUMENT NO. SD-52885-003		
	ANGULAR ± 3 ° DRAFT WHERE APPLICABLE MUST REMAIN WITHIN DIMENSIONS		MATERIAL NO. SEE CHART		SHEET NO. 1 OF 1		THIS DRAWING CONTAINS INFORMATION THAT IS PROPRIETARY TO MOLEX INCORPORATED AND SHOULD NOT BE USED WITHOUT WRITTEN PERMISSION

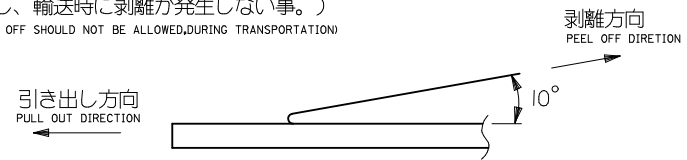
注)  
NOTES

- 製品番号 52885-\*\*72 の詳細寸法については SD-52885-003 を参照下さい。  
IN THE PACKAGE , PART NO. 52885-\*\*72 DETAILED DIMENSIONS , SEE SD-52885-003
- 梱包数量 : 1000個/リール  
NUMBER OF CONNECTORS : 1000 PCS/REEL
- リードテープ長さ  
LEAD TAPE LENGTH

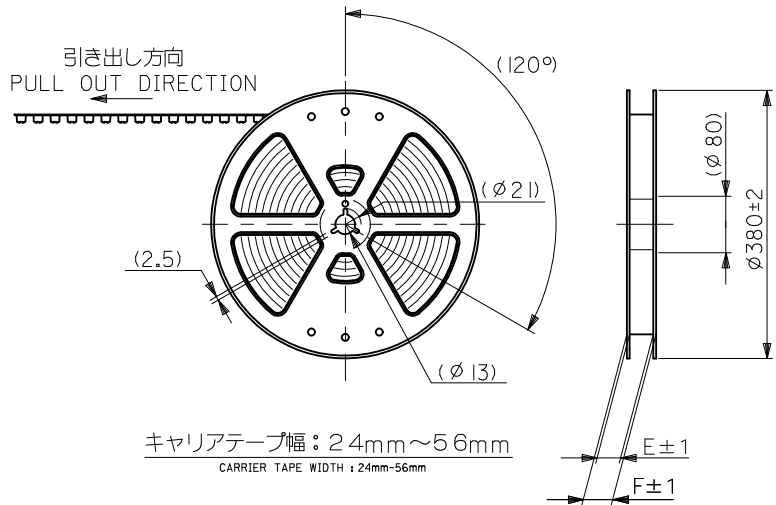


- トップテープの剥離強度 (剥離方向は下図参照)  
PEELING OFF FORCE OF TOP TAPE (PEELING DIRECTION AS SHOWN IN FOLLOWING FIG.)  
0.1~0.3N {10~130gf}

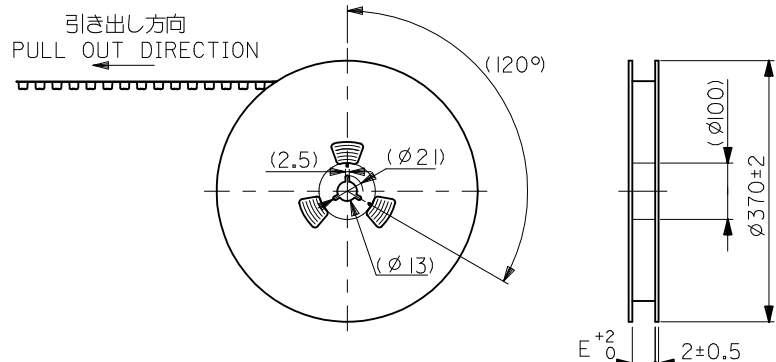
尚、本規格値は、出荷時に適用。  
THIS REQUIREMENT SHOULD BE APPLIED AT SHIPMENT  
(但し、輸送時に剥離が発生しない事。)  
(PEEL OFF SHOULD NOT BE ALLOWED, DURING TRANSPORTATION)



- 材料  
MATERIAL  
キャリアテープ : ポリプロピレン (PP)  
CARRIER TAPE : POLYPROPYLENE (PP)  
トップテープ : PET, PE, PEF  
TOP TAPE : PET, PE, PEF  
リール : キャリアテープ幅 24mm~56mm : ポリスチレン  
REEL : CARRIER TAPE WIDTH 24mm-56mm : POLYSTYRENE  
キャリアテープ幅 72mm~104mm : 紙  
CARRIER TAPE WIDTH 72mm-104mm : CARD BOARD

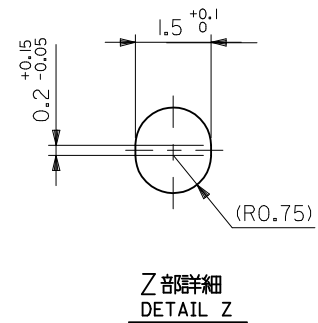
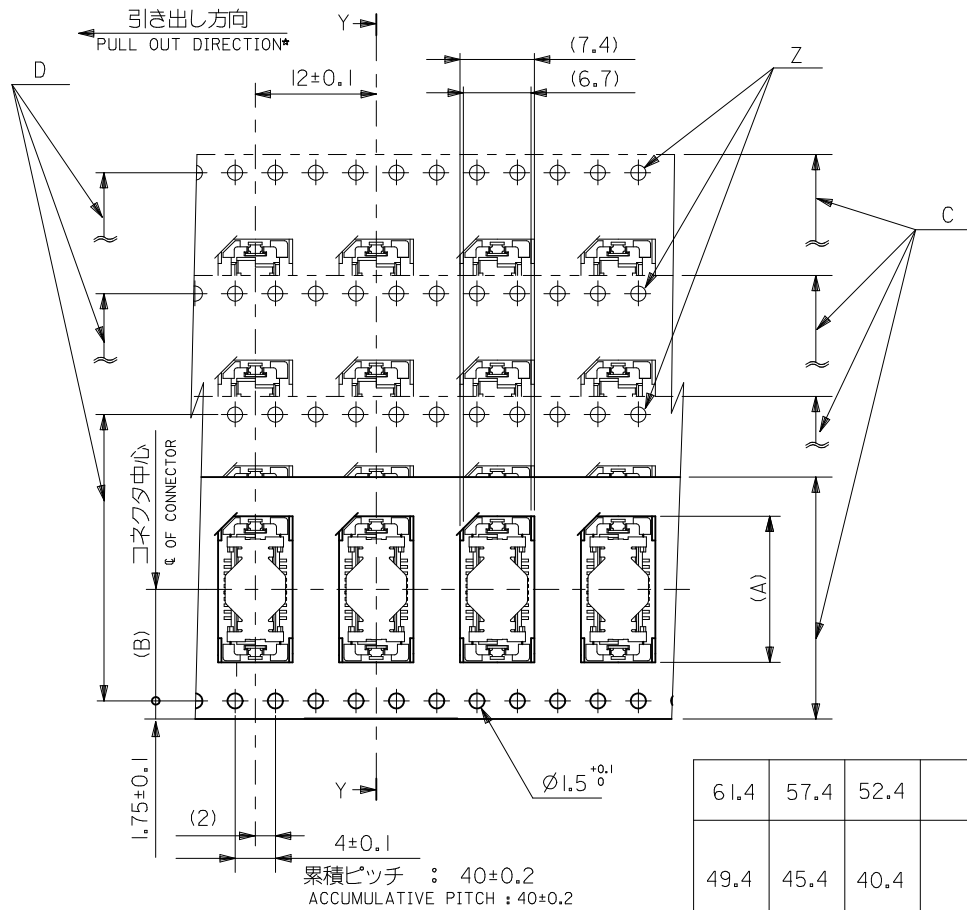
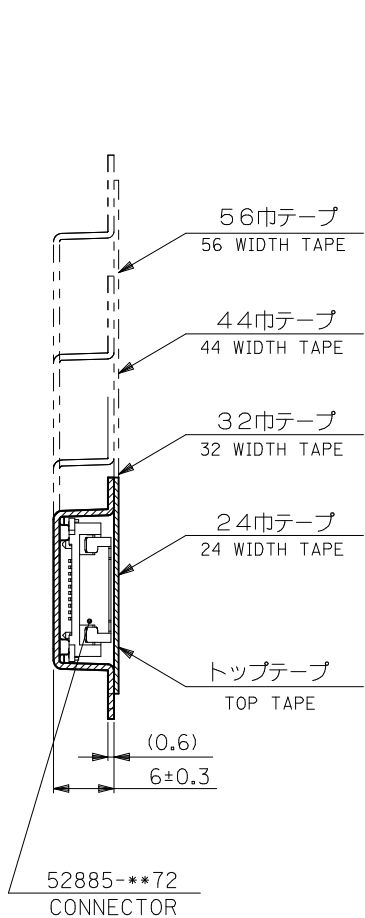


キャリアテープ幅 : 24mm~56mm  
CARRIER TAPE WIDTH : 24mm-56mm



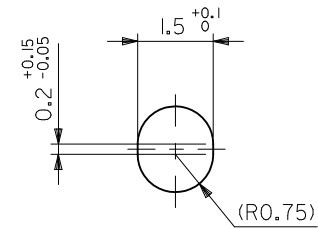
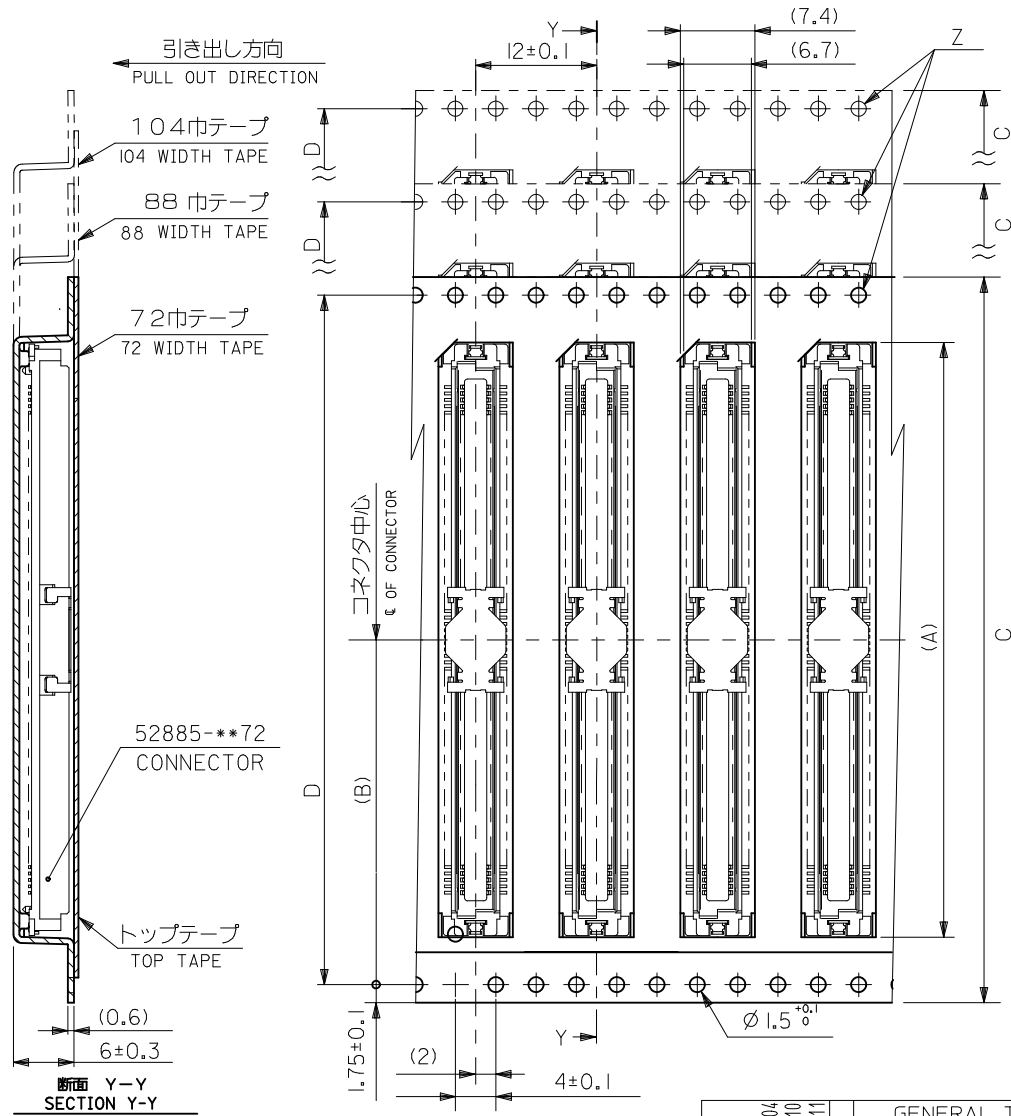
キャリアテープ幅 : 72mm~104mm  
CARRIER TAPE WIDTH : 72mm-104mm

REVISED EC NO: J2010-2458 DRWN:TKAIHO CHKD:K.TOJO APPR:MSASAO	DESCRIPTION 2010/06/04 2010/06/10 2010/06/11	GENERAL TOLERANCES (UNLESS SPECIFIED)		DIMENSION STYLE MM ONLY		CONNECTOR SERIES No.	52885-**72	
		10 UNDER	± ---	DRAWN BY	DATE	SCALE	DESIGN UNITS	THIRD ANGLE PROJECTION
		10 OVER 30 UNDER	± ---	M. NAGATA	2004/02/25	---	METRIC	
		30 OVER	± ---	CHECKED BY	DATE	TITLE		
REV C	REV	ANGULAR ± --- °		APPROVED BY	DATE	52885-**72 TAPING PACKAGE -LEAD FREE-		
		DRAFT WHERE APPLICABLE MUST REMAIN WITHIN DIMENSIONS		M. SASAO	2004/02/25	MOLEX INCORPORATED		
		SIZE A3		MATERIAL NO. SEE TABLE		DOCUMENT NO. SD-52885-004		SHEET NO. 1 OF 3



61.4	57.4	52.4	56 <sup>+0.3</sup>	26.2	39.9	52885-1074	100
					36.8	-0974	90
49.4	45.4	40.4	44 <sup>+0.3</sup>	20.2	33.6	-0874	80
					30.4	-0774	70
					27.2	-0674	60
					24.1	-0574	50
37.4	33.4	28.4	32 <sup>+0.3</sup>	14.2	20.9	-0474	40
					17.7	-0374	30
29.4	25.4	—	24 <sup>+0.3</sup>	11.5	14.5	52885-0274	20
F	E	D	C	キャリアテープ幅 CARRIER TAPE WIDTH	(B)	(A)	MATERIAL NO. 極致 CKT.NO.

REVISED EC NO: J2010-2458 DRWN:TKAIHO CHKD:K.TOJO APPR:MSASAO 2010/06/04 2010/06/10 2010/06/11	GENERAL TOLERANCES (UNLESS SPECIFIED)		DIMENSION STYLE MM ONLY		CONNECTOR SERIES No. 52885-**72
	10 UNDER	± ---	DRAWN BY M. NAGATA	DATE 2004/02/25	SCALE ---
	10 OVER 30 UNDER	± ---	CHECKED BY K. TOJO	DATE 2004/02/25	DESIGN UNITS METRIC
	30 OVER	± ---	APPROVED BY M. SASAO	DATE 2004/02/25	THIRD ANGLE PROJECTION
	ANGULAR ± --- °	DRAFT WHERE APPLICABLE MUST REMAIN WITHIN DIMENSIONS		MOLEX INCORPORATED SD-52885-004 SHEET NO. 2 OF 3	
		SIZE A3	THIS DRAWING CONTAINS INFORMATION THAT IS PROPRIETARY TO MOLEX INCORPORATED AND SHOULD NOT BE USED WITHOUT WRITTEN PERMISSION		



Z部詳細  
DETAIL Z

104.4	100.4	104±0.3	50.2	84.4	52885-2474	240
88.4	84.4	88±0.3	42.2	71.7	52885-2074	200
72.4	68.4	72±0.3	34.2	59.0	52885-1674	160
				52.6	52885-1474	140
				46.3	52885-1274	120
E	D	C	キャリアテープ幅 CARRIER TAPE WIDTH	(B)	(A)	MATERIAL NO. 種数 CKT.NO.

累積ピッチ : 40±0.2  
ACCUMULATIVE PITCH : 40±0.2

REVISED EC NO: J2010-2458 DRWN:TKAIHO 2010/06/04 CH'KD:K.TOJO 2010/06/10 APPR:MSASAO 2010/06/11 REV C	GENERAL TOLERANCES (UNLESS SPECIFIED)		DIMENSION STYLE MM ONLY		CONNECTOR SERIES No. 52885-**72	
	10 UNDER	±---	DRAWN BY M. NAGATA	DATE 2004/02/25	SCALE ---	DESIGN UNITS METRIC
	10 OVER 30 UNDER	±---	CHECKED BY K. TOJO	DATE 2004/02/25	TITLE 52885-**72 TAPING PACKAGE -LEAD FREE-	
	30 OVER	±---	APPROVED BY M. SASAO	DATE 2004/02/25	MOLEX INCORPORATED	
	ANGULAR ±---° DRAFT WHERE APPLICABLE MUST REMAIN WITHIN DIMENSIONS		MATERIAL NO.	SEE TABLE	DOCUMENT NO. SD-52885-004	THIRD ANGLE PROJECTION SHEET NO. 3 OF 3
THIS DRAWING CONTAINS INFORMATION THAT IS PROPRIETARY TO MOLEX INCORPORATED AND SHOULD NOT BE USED WITHOUT WRITTEN PERMISSION						



Компания «ЭлектроПласт» предлагает заключение долгосрочных отношений при поставках импортных электронных компонентов на взаимовыгодных условиях!

Наши преимущества:

- Оперативные поставки широкого спектра электронных компонентов отечественного и импортного производства напрямую от производителей и с крупнейших мировых складов;
- Поставка более 17-ти миллионов наименований электронных компонентов;
- Поставка сложных, дефицитных, либо снятых с производства позиций;
- Оперативные сроки поставки под заказ (от 5 рабочих дней);
- Экспресс доставка в любую точку России;
- Техническая поддержка проекта, помощь в подборе аналогов, поставка прототипов;
- Система менеджмента качества сертифицирована по Международному стандарту ISO 9001;
- Лицензия ФСБ на осуществление работ с использованием сведений, составляющих государственную тайну;
- Поставка специализированных компонентов (Xilinx, Altera, Analog Devices, Intersil, Interpoint, Microsemi, Aeroflex, Peregrine, Syfer, Eurofarad, Texas Instrument, Miteq, Cobham, E2V, MA-COM, Hittite, Mini-Circuits, General Dynamics и др.);

Помимо этого, одним из направлений компании «ЭлектроПласт» является направление «Источники питания». Мы предлагаем Вам помощь Конструкторского отдела:

- Подбор оптимального решения, техническое обоснование при выборе компонента;
- Подбор аналогов;
- Консультации по применению компонента;
- Поставка образцов и прототипов;
- Техническая поддержка проекта;
- Защита от снятия компонента с производства.



#### Как с нами связаться

**Телефон:** 8 (812) 309 58 32 (многоканальный)

**Факс:** 8 (812) 320-02-42

**Электронная почта:** [org@eplast1.ru](mailto:org@eplast1.ru)

**Адрес:** 198099, г. Санкт-Петербург, ул. Калинина, дом 2, корпус 4, литера А.