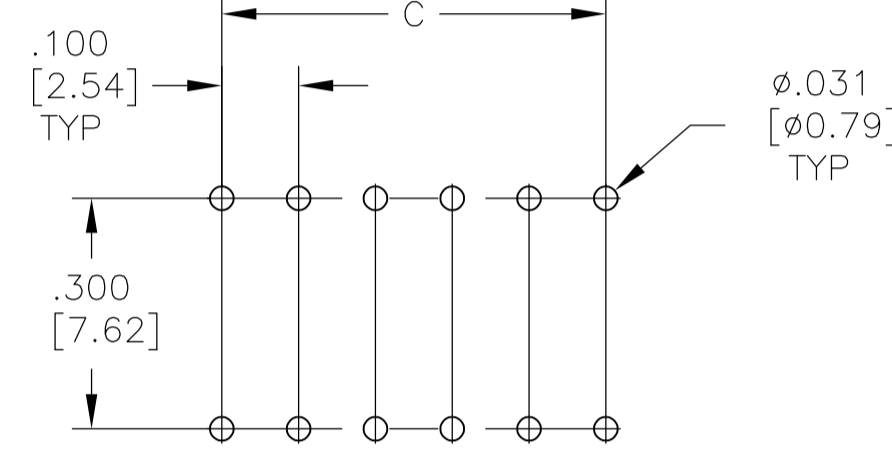
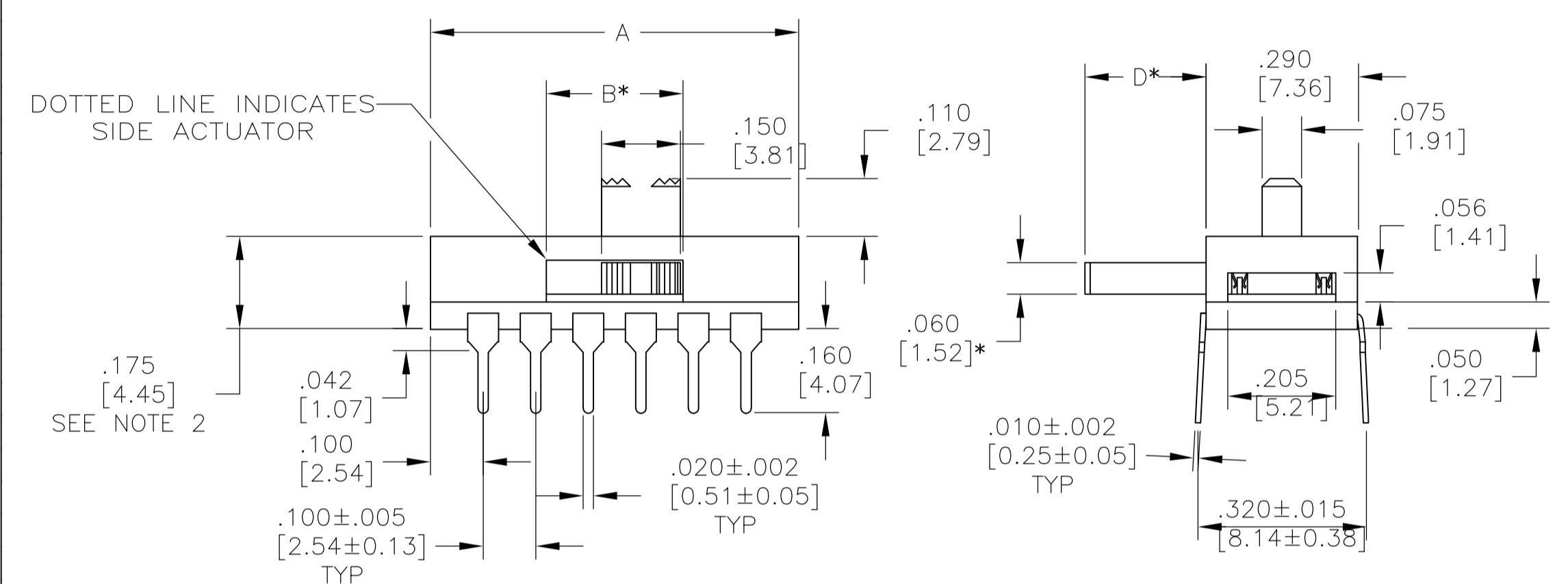
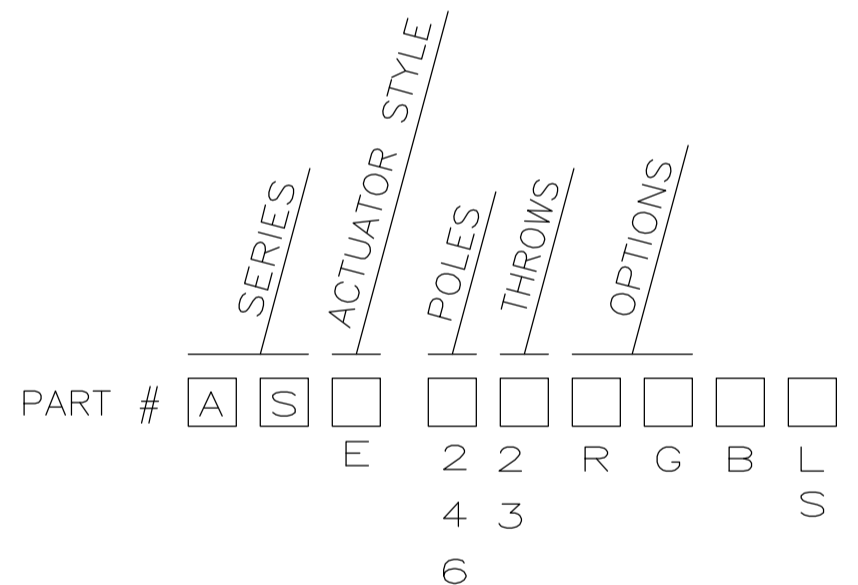


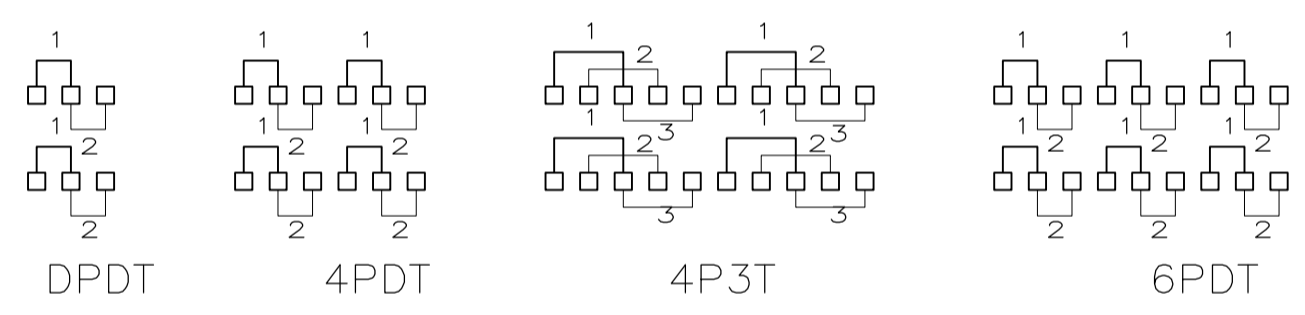
\* SIDE ACTUATOR ONLY.



PRINTED CIRCUIT BOARD HOLE PATTERN



- E = EXTENDED ACTUATOR
- R = SIDE ACTUATOR
- G = GOLD CONTACTS
- B = BLACK ACTUATOR
- L = GULL WING STYLE SURFACE MOUNT
- S = J-LEAD STYLE SURFACE MOUNT



|              |               |              |               |        |           |      |      |            |             |
|--------------|---------------|--------------|---------------|--------|-----------|------|------|------------|-------------|
| 0.230 [5.82] | 0.800 [20.32] | 0.260 [6.60] | 1.000 [25.40] | SILVER | SMT       | SIDE | 6PDT | ASE62RS04  | 4-1825010-8 |
| 0.230 [5.82] | 0.800 [20.32] | 0.260 [6.60] | 1.000 [25.40] | GOLD   | SMT       | SIDE | 6PDT | ASE62RGS04 | 4-1825010-7 |
| 0.230 [5.82] | 0.800 [20.32] | 0.260 [6.60] | 1.000 [25.40] | SILVER | SMT       | SIDE | 6PDT | ASE62RL04  | 4-1825010-6 |
| 0.230 [5.82] | 0.800 [20.32] | 0.260 [6.60] | 1.000 [25.40] | GOLD   | SMT       | SIDE | 6PDT | ASE62RGL04 | 4-1825010-5 |
| 0.230 [5.82] | 0.800 [20.32] | 0.260 [6.60] | 1.000 [25.40] | SILVER | SMT       | TOP  | 6PDT | ASE62S04   | 4-1825010-4 |
| 0.230 [5.82] | 0.800 [20.32] | 0.260 [6.60] | 1.000 [25.40] | GOLD   | SMT       | TOP  | 6PDT | ASE62GS04  | 4-1825010-3 |
| 0.230 [5.82] | 0.800 [20.32] | 0.260 [6.60] | 1.000 [25.40] | SILVER | SMT       | TOP  | 6PDT | ASE62L04   | 4-1825010-2 |
| 0.230 [5.82] | 0.800 [20.32] | 0.260 [6.60] | 1.000 [25.40] | GOLD   | SMT       | TOP  | 6PDT | ASE62GL04  | 4-1825010-1 |
| 0.230 [5.82] | 0.800 [20.32] | 0.260 [6.60] | 1.000 [25.40] | GOLD   | THRU-HOLE | SIDE | 6PDT | ASE62RG04  | 4-1825010-0 |
| 0.230 [5.82] | 0.800 [20.32] | 0.260 [6.60] | 1.000 [25.40] | SILVER | THRU-HOLE | SIDE | 6PDT | ASE62R04   | 3-1825010-9 |
| 0.230 [5.82] | 0.800 [20.32] | 0.260 [6.60] | 1.000 [25.40] | GOLD   | THRU-HOLE | TOP  | 6PDT | ASE62G04   | 3-1825010-8 |
| 0.230 [5.82] | 0.800 [20.32] | 0.260 [6.60] | 1.000 [25.40] | SILVER | THRU-HOLE | TOP  | 6PDT | ASE6204    | 3-1825010-7 |
| 0.230 [5.82] | 0.900 [22.86] | 0.360 [9.14] | 1.100 [27.94] | SILVER | SMT       | SIDE | 4P3T | ASE43RS04  | 3-1825010-6 |
| 0.230 [5.82] | 0.900 [22.86] | 0.360 [9.14] | 1.100 [27.94] | GOLD   | SMT       | SIDE | 4P3T | ASE43RGS04 | 3-1825010-5 |
| 0.230 [5.82] | 0.900 [22.86] | 0.360 [9.14] | 1.100 [27.94] | SILVER | SMT       | SIDE | 4P3T | ASE43RL04  | 3-1825010-4 |
| 0.230 [5.82] | 0.900 [22.86] | 0.360 [9.14] | 1.100 [27.94] | GOLD   | SMT       | SIDE | 4P3T | ASE43RGL04 | 3-1825010-3 |
| 0.230 [5.82] | 0.900 [22.86] | 0.360 [9.14] | 1.100 [27.94] | SILVER | SMT       | TOP  | 4P3T | ASE43S04   | 3-1825010-2 |
| 0.230 [5.82] | 0.900 [22.86] | 0.360 [9.14] | 1.100 [27.94] | GOLD   | SMT       | TOP  | 4P3T | ASE43GS04  | 3-1825010-1 |
| 0.230 [5.82] | 0.900 [22.86] | 0.360 [9.14] | 1.100 [27.94] | SILVER | SMT       | TOP  | 4P3T | ASE43L04   | 3-1825010-0 |
| 0.230 [5.82] | 0.900 [22.86] | 0.360 [9.14] | 1.100 [27.94] | SILVER | SMT       | TOP  | 4P3T | ASE43GL04  | 2-1825010-9 |
| 0.230 [5.82] | 0.900 [22.86] | 0.360 [9.14] | 1.100 [27.94] | GOLD   | THRU-HOLE | SIDE | 4P3T | ASE43RG04  | 2-1825010-8 |
| 0.230 [5.82] | 0.900 [22.86] | 0.360 [9.14] | 1.100 [27.94] | SILVER | THRU-HOLE | SIDE | 4P3T | ASE43R04   | 2-1825010-7 |
| 0.230 [5.82] | 0.900 [22.86] | 0.360 [9.14] | 1.100 [27.94] | GOLD   | THRU-HOLE | TOP  | 4P3T | ASE43G04   | 2-1825010-6 |
| 0.230 [5.82] | 0.900 [22.86] | 0.360 [9.14] | 1.100 [27.94] | SILVER | THRU-HOLE | TOP  | 4P3T | ASE4304    | 2-1825010-5 |
| 0.230 [5.82] | 0.500 [12.70] | 0.260 [6.60] | 0.700 [17.78] | SILVER | SMT       | SIDE | 4PDT | ASE42RS04  | 2-1825010-4 |
| 0.230 [5.82] | 0.500 [12.70] | 0.260 [6.60] | 0.700 [17.78] | GOLD   | SMT       | SIDE | 4PDT | ASE42RGS04 | 2-1825010-3 |
| 0.230 [5.82] | 0.500 [12.70] | 0.260 [6.60] | 0.700 [17.78] | SILVER | SMT       | SIDE | 4PDT | ASE42RL04  | 2-1825010-2 |
| 0.230 [5.82] | 0.500 [12.70] | 0.260 [6.60] | 0.700 [17.78] | GOLD   | SMT       | SIDE | 4PDT | ASE42RGL04 | 2-1825010-1 |
| 0.230 [5.82] | 0.500 [12.70] | 0.260 [6.60] | 0.700 [17.78] | SILVER | SMT       | TOP  | 4PDT | ASE42S04   | 2-1825010-0 |
| 0.230 [5.82] | 0.500 [12.70] | 0.260 [6.60] | 0.700 [17.78] | GOLD   | SMT       | TOP  | 4PDT | ASE42GS04  | 1-1825010-9 |
| 0.230 [5.82] | 0.500 [12.70] | 0.260 [6.60] | 0.700 [17.78] | SILVER | SMT       | TOP  | 4PDT | ASE42L04   | 1-1825010-8 |
| 0.230 [5.82] | 0.500 [12.70] | 0.260 [6.60] | 0.700 [17.78] | GOLD   | SMT       | TOP  | 4PDT | ASE42GL04  | 1-1825010-7 |
| 0.230 [5.82] | 0.500 [12.70] | 0.260 [6.60] | 0.700 [17.78] | GOLD   | THRU-HOLE | SIDE | 4PDT | ASE42RG04  | 1-1825010-6 |
| 0.230 [5.82] | 0.500 [12.70] | 0.260 [6.60] | 0.700 [17.78] | SILVER | THRU-HOLE | SIDE | 4PDT | ASE42R04   | 1-1825010-5 |
| 0.230 [5.82] | 0.500 [12.70] | 0.260 [6.60] | 0.700 [17.78] | GOLD   | THRU-HOLE | TOP  | 4PDT | ASE42G04   | 1-1825010-4 |
| 0.230 [5.82] | 0.500 [12.70] | 0.260 [6.60] | 0.700 [17.78] | SILVER | THRU-HOLE | TOP  | 4PDT | ASE4204    | 1-1825010-3 |
| 0.105 [2.67] | 0.200 [5.08]  | 0.260 [6.60] | 0.400 [10.16] | SILVER | SMT       | SIDE | DPDT | ASE22RS04  | 1-1825010-2 |
| 0.105 [2.67] | 0.200 [5.08]  | 0.260 [6.60] | 0.400 [10.16] | GOLD   | SMT       | SIDE | DPDT | ASE22RGS04 | 1-1825010-1 |
| 0.105 [2.67] | 0.200 [5.08]  | 0.260 [6.60] | 0.400 [10.16] | SILVER | SMT       | SIDE | DPDT | ASE22RL04  | 1-1825010-0 |
| 0.105 [2.67] | 0.200 [5.08]  | 0.260 [6.60] | 0.400 [10.16] | GOLD   | SMT       | SIDE | DPDT | ASE22RGL04 | 1825010-9   |
| 0.105 [2.67] | 0.200 [5.08]  | 0.260 [6.60] | 0.400 [10.16] | SILVER | SMT       | TOP  | DPDT | ASE22S04   | 1825010-8   |
| 0.105 [2.67] | 0.200 [5.08]  | 0.260 [6.60] | 0.400 [10.16] | GOLD   | SMT       | TOP  | DPDT | ASE22GS04  | 1825010-7   |
| 0.105 [2.67] | 0.200 [5.08]  | 0.260 [6.60] | 0.400 [10.16] | SILVER | SMT       | TOP  | DPDT | ASE22L04   | 1825010-6   |
| 0.105 [2.67] | 0.200 [5.08]  | 0.260 [6.60] | 0.400 [10.16] | GOLD   | SMT       | TOP  | DPDT | ASE22GL04  | 1825010-5   |
| 0.105 [2.67] | 0.200 [5.08]  | 0.260 [6.60] | 0.400 [10.16] | GOLD   | THRU-HOLE | SIDE | DPDT | ASE22RG04  | 1825010-4   |
| 0.105 [2.67] | 0.200 [5.08]  | 0.260 [6.60] | 0.400 [10.16] | SILVER | THRU-HOLE | SIDE | DPDT | ASE22R04   | 1825010-3   |
| 0.105 [2.67] | 0.200 [5.08]  | 0.260 [6.60] | 0.400 [10.16] | GOLD   | THRU-HOLE | TOP  | DPDT | ASE22G04   | 1825010-2   |
| 0.105 [2.67] | 0.200 [5.08]  | 0.260 [6.60] | 0.400 [10.16] | SILVER | THRU-HOLE | TOP  | DPDT | ASE2204    | 1825010-1   |

SPECIFICATIONS:

MATERIALS:  
 BASE/COVER: PCT UL94V-0, BLACK.  
 ACTUATOR: NYLON PA46 UL94V-0 NATURAL.  
 MOVABLE CONTACT: COPPER ALLOY, SILVER OR GOLD OVER NICKEL.  
 FIXED CONTACT/TERMINAL: COPPER ALLOY, SILVER OR GOLD OVER NICKEL.  
 TERMINAL-COPPER ALLOY TIN OVER NICKEL.  
 PACKAGING: 22" ANTI-STATIC TUBE.

ELECTRICAL:  
 CONTACT RATING: SILVER: 300 MILLIAMPS @ 115 VAC.  
 GOLD: 0.4 VA 20 VDC.  
 CONTACT RESISTANCE: INITIAL 40 MILLIOHMS MAX.  
 INSULATION RESISTANCE: 1000 MEGOHMS MAX.  
 DIELECTRIC STRENGTH: 600 VOLTS RMS AT SEA LEVEL.  
 LIFE EXPECTANCY: 15,000 CYCLES MIN.

ENVIRONMENTAL:  
 OPERATING TEMPERATURE: -40°F TO +176°C TO +80°C).  
 PROCESS CLEANING: WILL WITHSTAND AQUEOUS OR SOLVENT CLEANING PROCESSES.  
 SOLDER HEAT RESISTANCE PER 109-202, COND B(THRU-HOLE) & 109-201, COND B(SMT)  
 SOLDERABILITY PER EIA 364-52 CLASS 2 CATEGORY 1

NOTES:  
 1. ALL MATERIAL AND FINISHES SHALL COMPLY WITH EU DIRECTIVE 2002/95/EC OF 27JAN2003 (ROHS)  
 STANDARD PRODUCT (AFTER WELD) HEIGHT IS ALLOWED UP TO .180 IN. ALL SWITCH "SPECIAL" MUST MAINTAIN .178 MAX. (AFTER WELD) HEIGHT

THIS DRAWING IS A CONTROLLED DOCUMENT.

DIMENSIONS: INCHES [mm]

TOLERANCES UNLESS OTHERWISE SPECIFIED:

MATERIAL: SEE SPECIFICATIONS

FINISH: SEE SPECIFICATIONS

WEIGHT: --

CUSTOMER DRAWING

DIN: B.S.VISWESWARA 15FEB05  
 CHK: M.S.SARVER 15FEB05  
 APVD: M.S.SARVER 15FEB05

NAME: SLIDE SWITCH ASE/ASF, AUTO-INSERTABLE, THRU-HOLE AND SURFACE MOUNT

APPLICATION SPEC: --

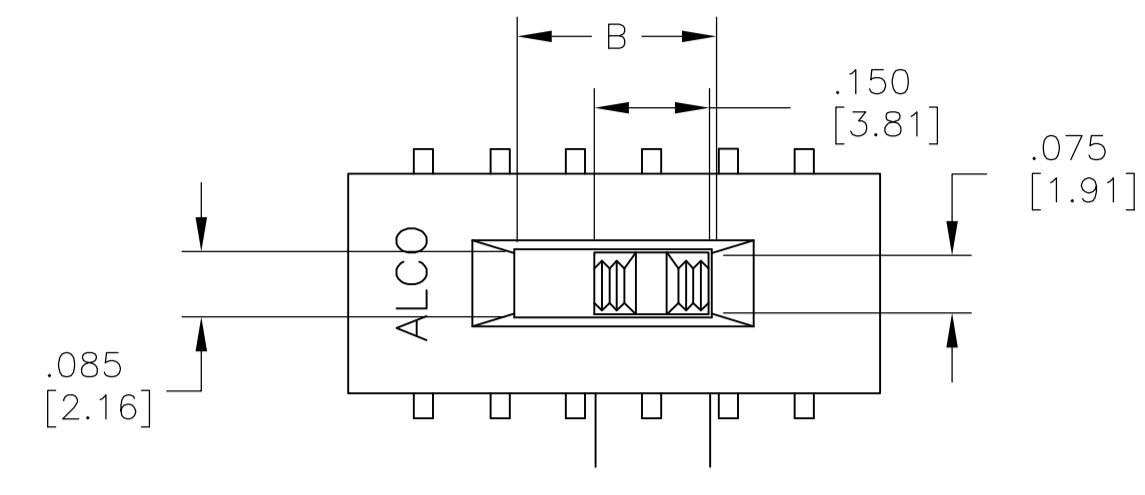
SIZE: A1

SCALE: 4:1

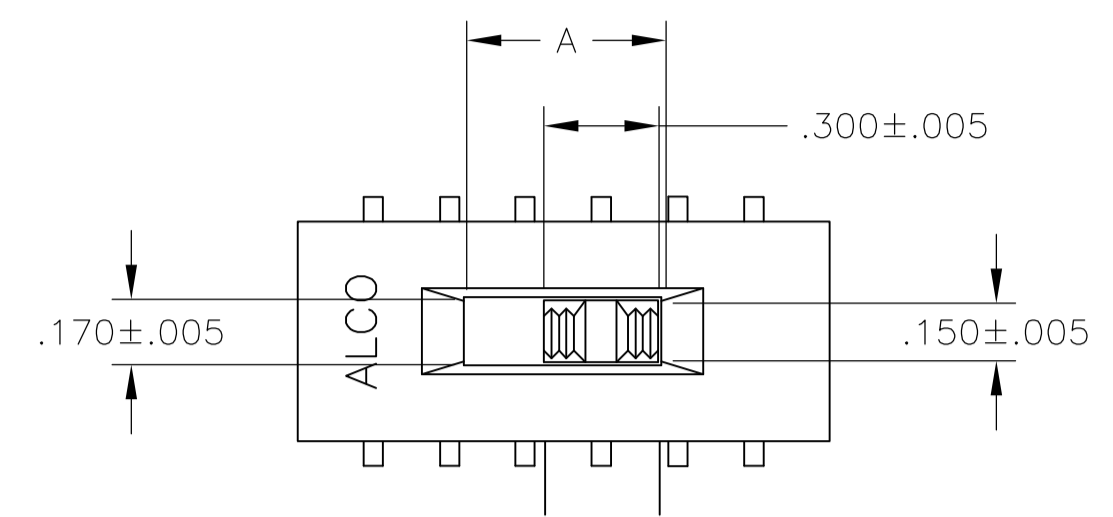
SHEET: 1 OF 2

REV: B4

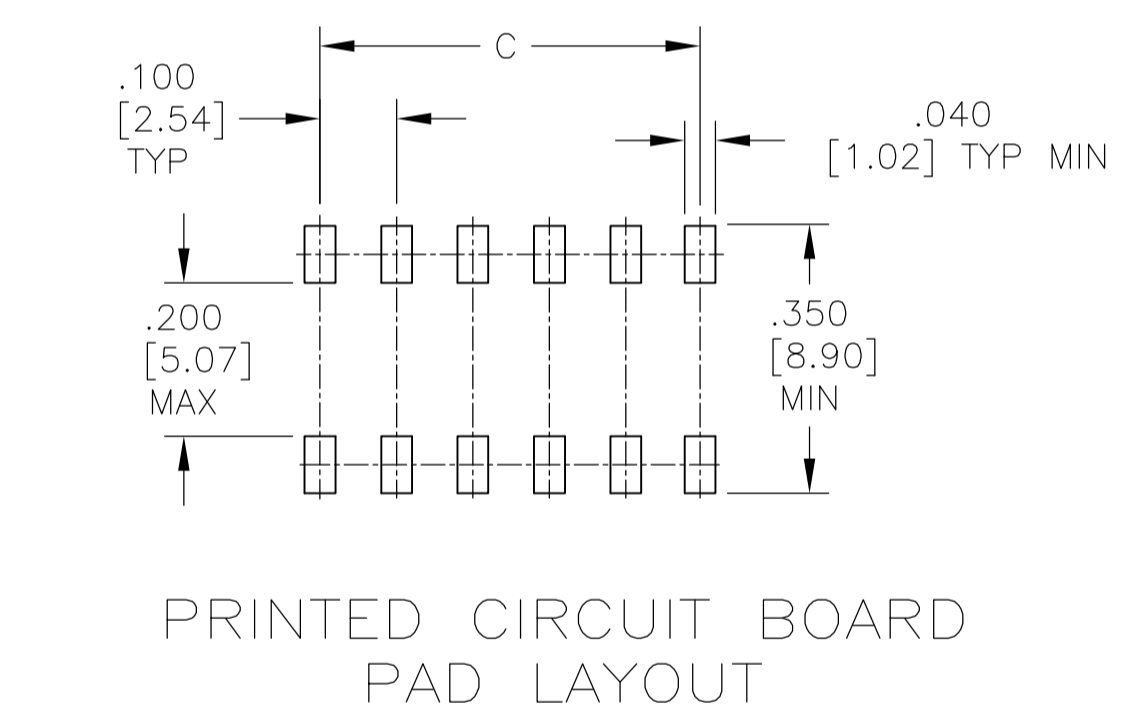
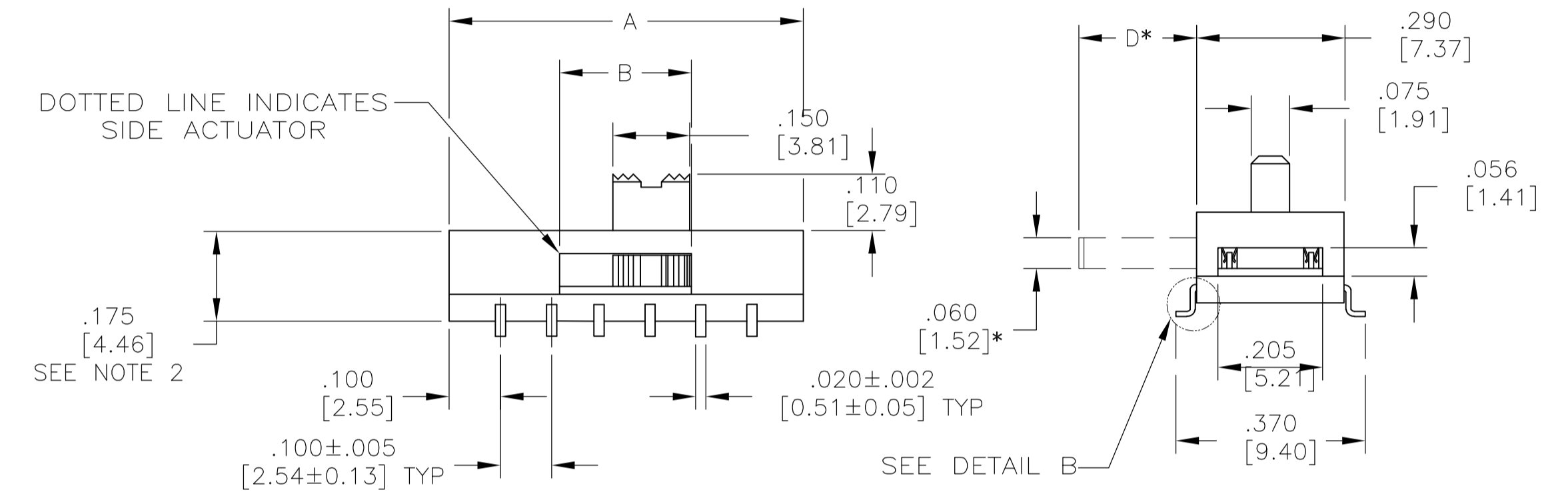
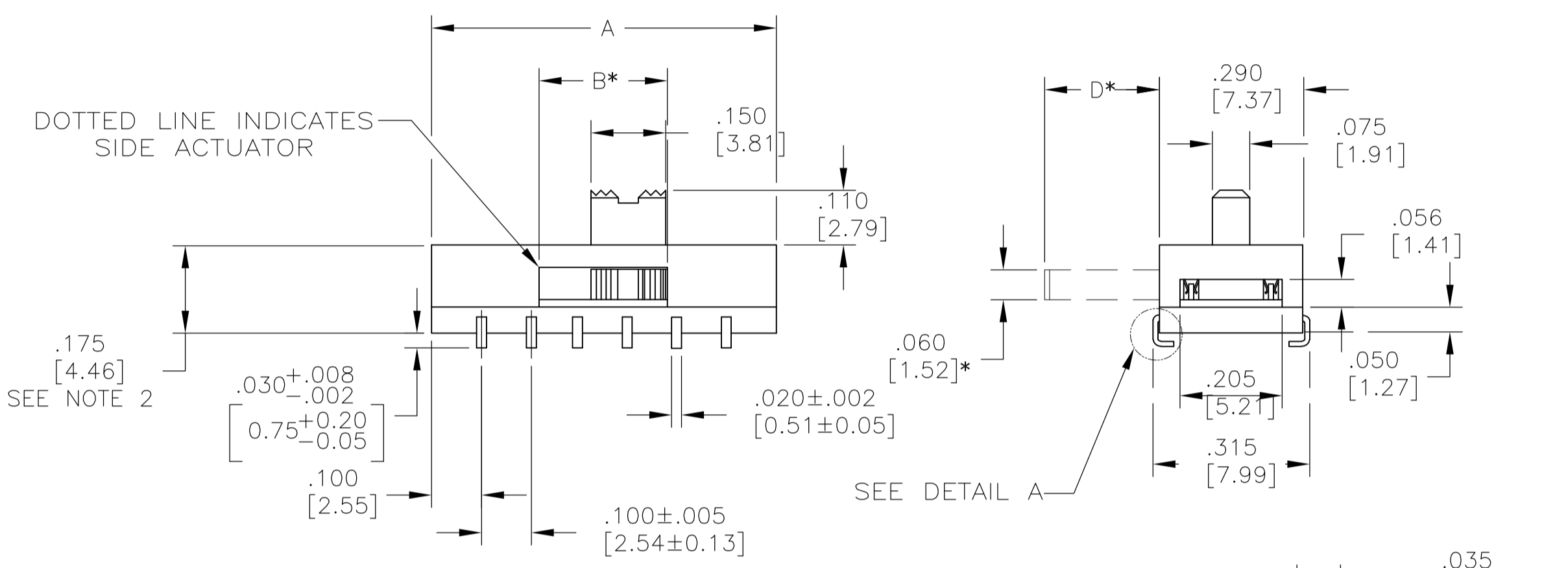
TE Connectivity



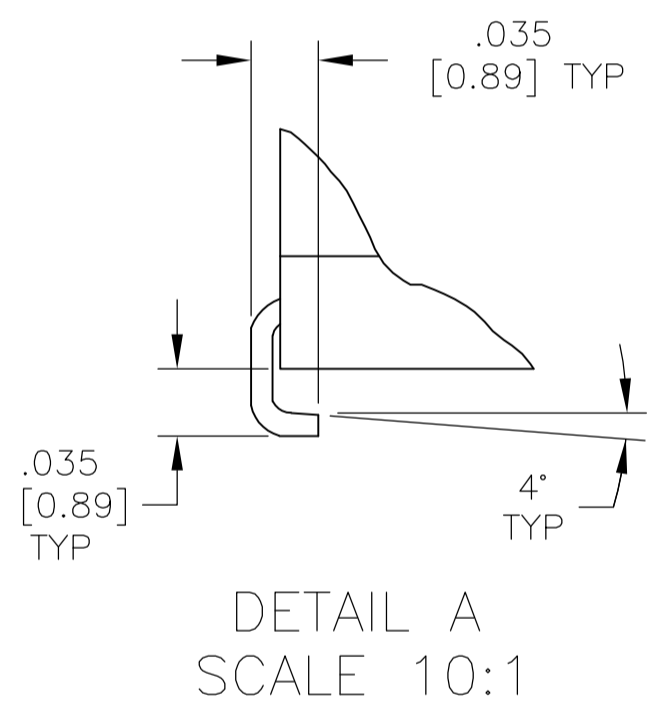
\* SIDE ACTUATOR ONLY.



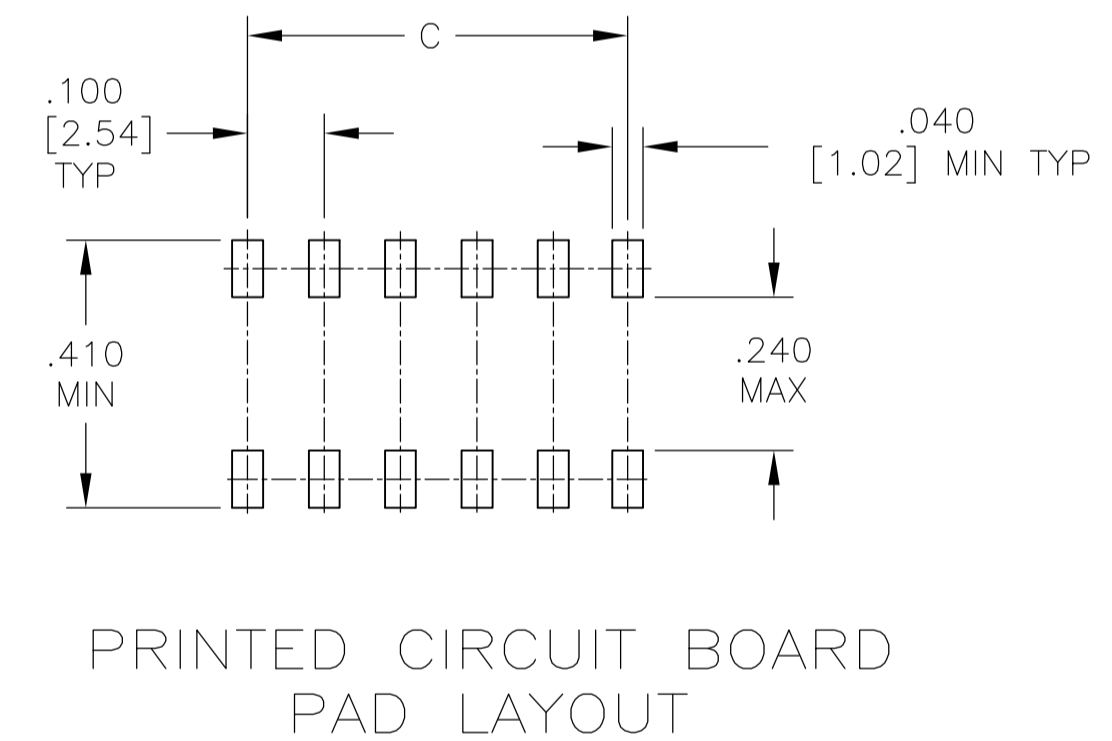
\* SIDE ACTUATOR ONLY.



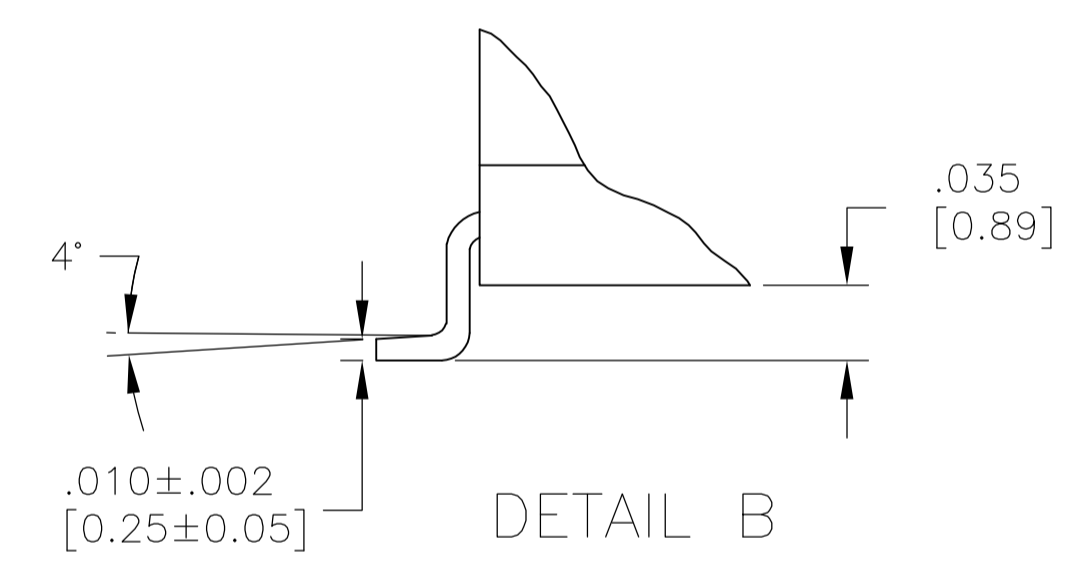
PRINTED CIRCUIT BOARD PAD LAYOUT



DETAIL A SCALE 10:1



PRINTED CIRCUIT BOARD PAD LAYOUT



DETAIL B SCALE 10:1

"S" J-LEAD TYPE SURFACE MOUNT

"L" GULL WING TYPE SURFACE MOUNT

|  |  |                                  |                    |  |
|--|--|----------------------------------|--------------------|--|
| THIS DRAWING IS A CONTROLLED DOCUMENT. |  | DWN<br>B.S.VISWESWARA<br>15FEB05 | TE Connectivity    |  |
| DIMENSIONS:<br>INCHES [mm]             |  | CHK<br>M.S.SARVER<br>15FEB05     | NAME<br>M.S.SARVER |  |
| TOLERANCES UNLESS OTHERWISE SPECIFIED: |  | APPRO<br>M.S.SARVER<br>15FEB05   | PRODUCT SPEC       |  |
| 0. PLC ± -                             |  | APPLICATION SPEC                 |                    |  |
| 1. PLC ± -                             |  | RESTRICTED TO                    |                    |  |
| 2. PLC ± -                             |  | SIZE CAGE CODE DRAWING NO        |                    |  |
| 3. PLC ± .010                          |  | A1 00779 1825010                 |                    |  |
| 4. PLC ± -                             |  | SCALE 4:1 SHEET 2 OF 2 REV B4    |                    |  |
| ANGLES ± 1°                            |  | CUSTOMER DRAWING                 |                    |  |
| FINISH SEE SHEET 1                     |  | WEIGHT -                         |                    |  |



Компания «ЭлектроПласт» предлагает заключение долгосрочных отношений при поставках импортных электронных компонентов на взаимовыгодных условиях!

Наши преимущества:

- Оперативные поставки широкого спектра электронных компонентов отечественного и импортного производства напрямую от производителей и с крупнейших мировых складов;
- Поставка более 17-ти миллионов наименований электронных компонентов;
- Поставка сложных, дефицитных, либо снятых с производства позиций;
- Оперативные сроки поставки под заказ (от 5 рабочих дней);
- Экспресс доставка в любую точку России;
- Техническая поддержка проекта, помощь в подборе аналогов, поставка прототипов;
- Система менеджмента качества сертифицирована по Международному стандарту ISO 9001;
- Лицензия ФСБ на осуществление работ с использованием сведений, составляющих государственную тайну;
- Поставка специализированных компонентов (Xilinx, Altera, Analog Devices, Intersil, Interpoint, Microsemi, Aeroflex, Peregrine, Syfer, Eurofarad, Texas Instrument, Miteq, Cobham, E2V, MA-COM, Hittite, Mini-Circuits, General Dynamics и др.);

Помимо этого, одним из направлений компании «ЭлектроПласт» является направление «Источники питания». Мы предлагаем Вам помощь Конструкторского отдела:

- Подбор оптимального решения, техническое обоснование при выборе компонента;
- Подбор аналогов;
- Консультации по применению компонента;
- Поставка образцов и прототипов;
- Техническая поддержка проекта;
- Защита от снятия компонента с производства.



#### Как с нами связаться

**Телефон:** 8 (812) 309 58 32 (многоканальный)

**Факс:** 8 (812) 320-02-42

**Электронная почта:** [org@eplast1.ru](mailto:org@eplast1.ru)

**Адрес:** 198099, г. Санкт-Петербург, ул. Калинина, дом 2, корпус 4, литера А.