



ON Semiconductor®

<http://onsemi.com>

LV52204MU

Bi-CMOS IC

LED Boost Driver with PWM and 1-Wire Dimming

Overview

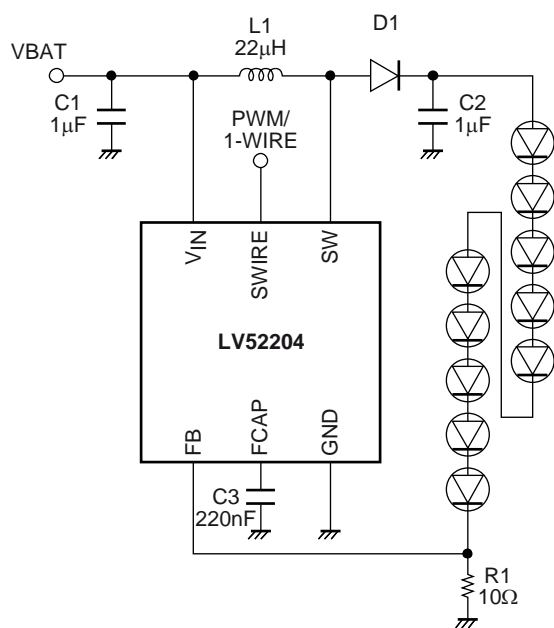
The LV52204MU is a high voltage boost driver for LED drive. LED current is set by the external resistor R1 and LED dimming can be done by changing FB voltage with PWM or 1-Wire.

Features

- Operating Voltage from 2.7V to 5.5V
- 1-Wire 32 level digital and PWM dimming
- Integrated 40V MOSFET
- 600kHz Switching Frequency

Typical Applications

- LED Display Backlight Control



ORDERING INFORMATION

See detailed ordering and shipping information on page 12 of this data sheet.

LV52204MU

Specifications

Absolute Maximum Ratings at $T_a = 25^\circ\text{C}$

Parameter	Symbol	Conditions	Ratings	Unit
Maximum supply voltage	$V_{CC\text{ max}}$	V_{CC}	5.5	V
Maximum pin voltage1	$V1\text{ max}$	SW	40	V
Maximum pin voltage2	$V2\text{ max}$	Other pin	5.5	V
Allowable power dissipation	$Pd\text{ max}$	$T_a = 25^\circ\text{C}^*1$	2.05	W
Operating temperature	T_{opr}		-30 to +85	$^\circ\text{C}$
Storage temperature	T_{stg}		-55 to +125	$^\circ\text{C}$

*1 Mounted on a specified board: 70mm×50mm×1.2mm (4 layer glass epoxy)

Caution 1) Absolute maximum ratings represent the values which cannot be exceeded for any length of time.

Caution 2) Even when the device is used within the range of absolute maximum ratings, as a result of continuous usage under high temperature, high current, high voltage, or drastic temperature change, the reliability of the IC may be degraded. Please contact us for the further details.

Stresses exceeding Maximum Ratings may damage the device. Maximum Ratings are stress ratings only. Functional operation above the Recommended Operating Conditions is not implied. Extended exposure to stresses above the Recommended Operating Conditions may affect device reliability.

Recommendation Operating Condition at $T_a = 25^\circ\text{C}$

Parameter	Symbol	Conditions	Ratings	Unit
Supply voltage range1	$V_{CC\text{ op}}$	V_{CC}	2.7 to 5.5	V
PWM frequency	F_{pwm}	PWM MODE	300 to 100k	Hz

Electrical Characteristics Analog block at $T_a = 25^\circ\text{C}$, $V_{CC} = 3.6\text{V}$, unless otherwise specified

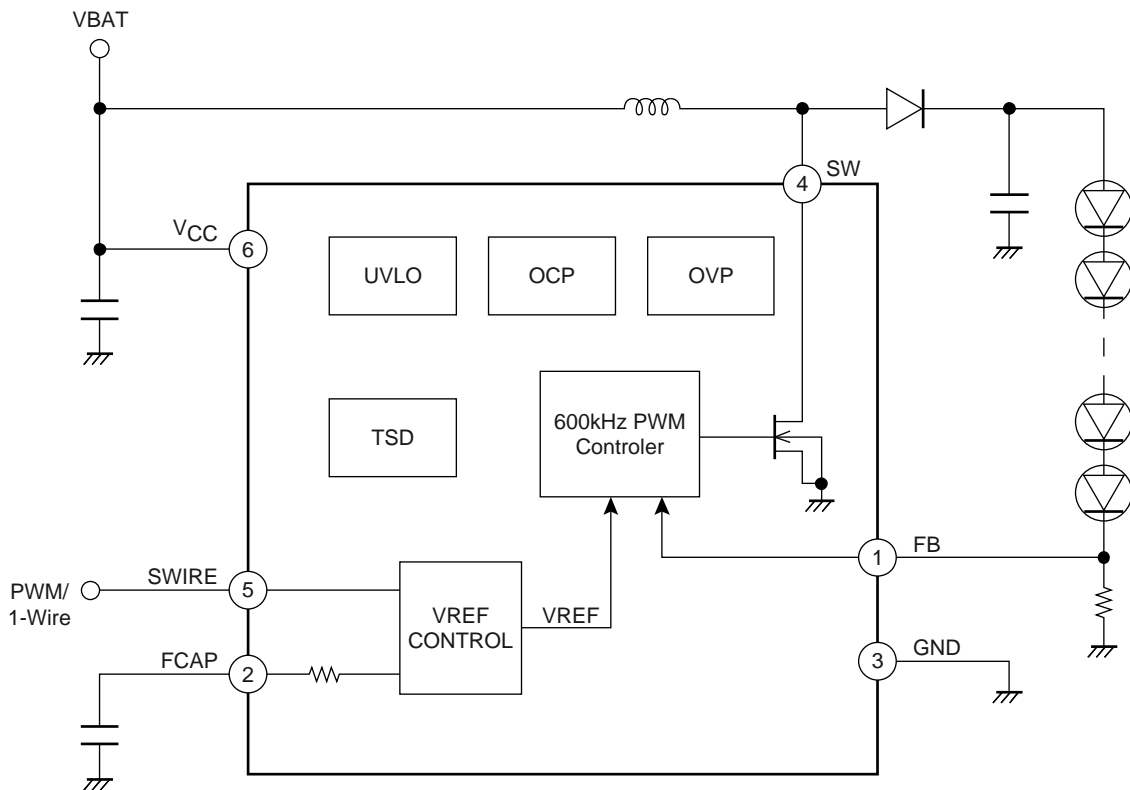
Parameter	Symbol	Conditions	Ratings			Unit
			min	typ	max	
Standby current dissipation	I_{CC1}	SHUTDOWN		0	5	μA
DC/DC current dissipation	I_{CC2}	$V_{OUT} = 30\text{V}$, $I_{LED} = 20\text{mA}$			1	mA
FB voltage	V_{fb}	PWM duty 100%	0.19	0.2	0.21	V
FB pin leak current	I_{fb}				1	μA
OVP voltage	V_{ovp}	SW	37	38	39	V
SWOUT ON resistance	R_{on}	$I_L = 100\text{mA}$		700		$\text{m}\Omega$
NMOS switch current limit	I_{LIM}	$V_{fb} = 200\text{mV}$		0.7		A
OSC frequency	F_{osc}			600		kHz
High level input voltage	V_{INH}	SWIRE	1.5		V_{CC}	V
Low level input voltage	V_{INL}	SWIRE	0		0.4	V
Under voltage lockout	V_{uvlo}	V_{IN} falling		2.2		V
SWIRE output voltage for Acknowledge	V_{ack}	$R_{pullup} = 15\text{k}\Omega$			0.4	V

LV52204MU

Recommended SWIRE Timing at $T_a = 25^\circ\text{C}$, $V_{CC} = 3.6\text{V}$, unless otherwise specified

Parameter	Symbol	Conditions	Ratings			Unit
			min	typ	max	
SWIRE setup time from shutdown	T_{on}		20			μs
SWIRE mode selectable time	T_{sel}		1		2.2	ms
SWIRE delay time to start digital mode detection	T_{w0}		100			μs
SWIRE low time to switch to digital mode	T_{w1}		260			μs
SWIRE low time to shutdown	T_{off}		8.9			ms
SWIRE start time for digital mode programming	T_{start}		2			μs
SWIRE end time for digital mode programming	T_{end}		2		360	μs
SWIRE High time of bit 0	T_{h0}	Bit detection = 0	2		180	μs
SWIRE Low time of bit 0	T_{l0}	Bit detection = 0	$T_{h0} \times 2$		360	μs
SWIRE High time of bit 1	T_{h1}	Bit detection = 1	$T_{l1} \times 2$		360	μs
SWIRE Low time of bit1	T_{l1}	Bit detection = 1	2		180	μs
DCDC startup delay	T_{del}			2		ms
Delay time of Acknowledge	T_{ackd}				2	μs
Duration of Acknowledge	T_{ack}				512	μs

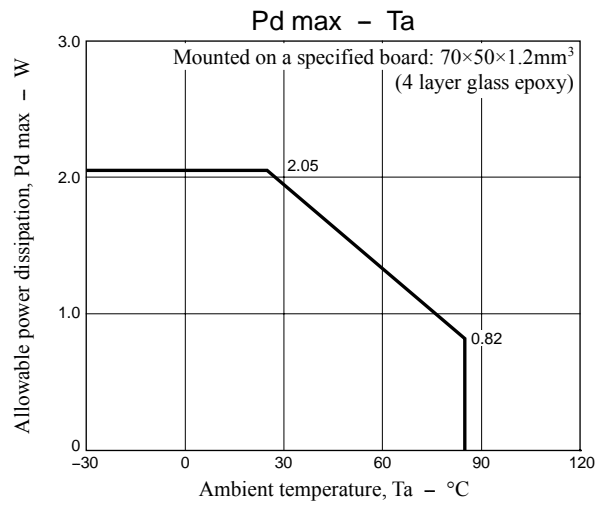
Block Diagram



LV52204MU

Pin Function

PIN #	Pin Name	Description
1	FB	Feedback pin.
2	FCAP	Filtering capacitor terminal for PWM mode.
3	GND	Ground
4	SW	Switch pin. Drain of the internal power FET.
5	SWIRE	1-wire dimming control and PWM dimming input (active High).
6	VCC	Supply voltage.
	Expose-pad	Connect to GND on PCB.



LED Current Setting

LED current is set by an external resistor connected between the FB pin and ground.

$$I_{LED} = V_{FB}/R_{FB}.$$

The V_{FB} can be controlled by two dimming modes, PWM Mode or Digital Mode. In PWM mode, PWM input is converted into a near DC current by the internal resistor R that was equivalent to $60k\Omega (\pm 10\%)$ and the external capacitor C_{FCAP} as a low pass filter with a cut-off frequency $f_c = 1/2\pi R_{FCAP}$. The V_{FB} can be adjusted by altering the duty cycle of the PWM signal (See Fig.1).

$$V_{FB} = 200 \text{ (mV)} \times \text{PWM Duty (\%)}$$

On the other hand, V_{FB} can be selected one from among 32 steps in Digital Mode (See Fig.2).

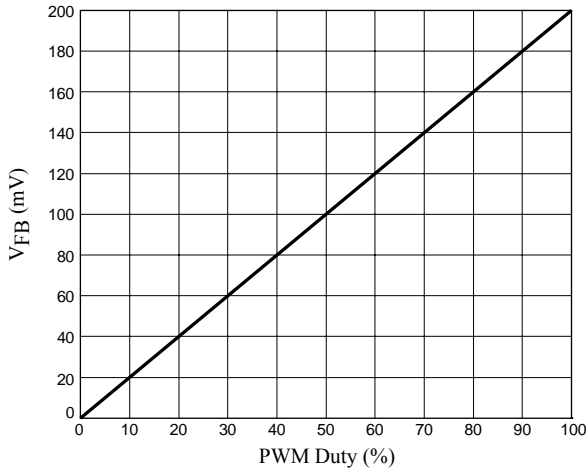


Fig1. V_{FB} vs. PWM Duty (PWM mode)

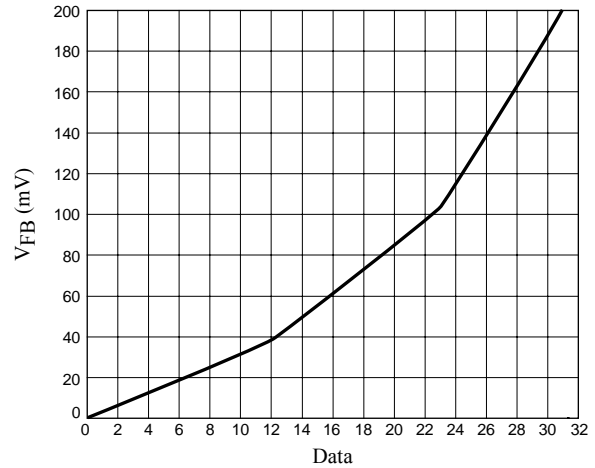


Fig2. V_{FB} vs. Data Register Value (Digital mode)

Dimming Mode Selection

Dimming Mode is selected by a specific pattern of the SWIRE within T_{sel} (1ms) from the startup of the device every time. In order to startup the device, the SWIRE must keep high for longer than T_{on} .

PWM Mode

The dimming mode is set to PWM mode when it is not recognized as a digital mode within T_{sel} . To enter Digital Mode, the SWIRE is required keeping in low state for T_{w1} (See Fig.4). If the PWM frequency is used faster than 6.6kHz, the dimming mode is set to PWM mode only. But slower than 6.6kHz, it is necessary to avoid entering the digital mode condition, such as SWIRE keeps high for longer than T_{sel} . PWM is enabled after T_{del} from T_{sel} .

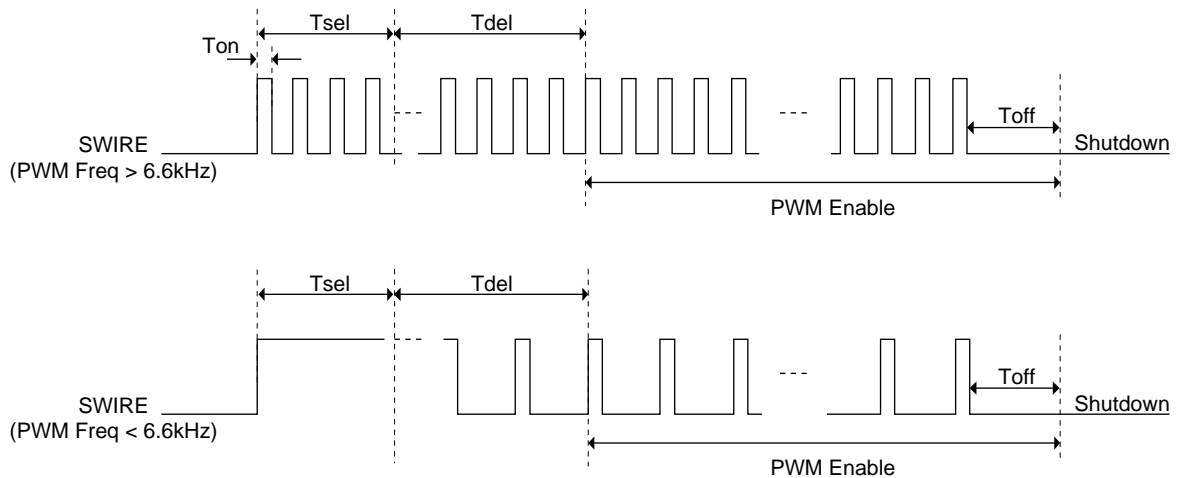


Fig3. SWIRE Timing Diagram in PWM mode

LV52204MU

Digital Mode

To enter Digital Mode, SWIRE should be taken high for more than T_{w0} (100 μ s) from the first rising edge and keep low state for T_{w1} (260 μ s) before T_{sel} (1ms).

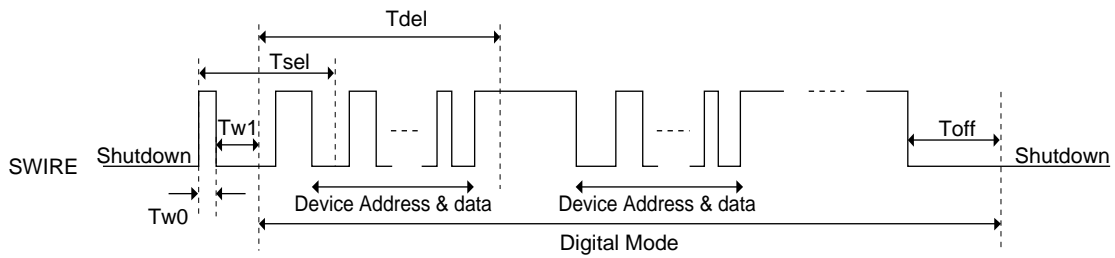


Fig4. SWIRE Timing Diagram in Digital mode

It is required sending the device address byte and the data byte to select V_{FB} . The bit detection is determined by the ratio of T_h and T_l (See Fig6). The start condition for the bit transmission required SWIRE high for at least T_{start} . The end condition is required SWIRE low for at least T_{end} . When data is not being transferred, SWIRE is set in the “H” state. These registers are initialized with POR (Power On Reset).

In the LV52204MU, the device address (DA7 to DA0) is specified as “01110010”. D7 is setting for the acknowledge response. If the device address and the data byte are transferred on $D7 = 1$, the ACK signal is sent from the receive side to the send side. The acknowledge signal is issued when SWIRE on the send side is released and SWIRE on the receive side is set to low state. D6 and D5 need to send 0. D4 to D0 allow to changing the FB voltage.

	Register	BIT	Description
Device Address	DA7	7	0
	DA6	6	1
	DA5	5	1
	DA4	4	1
	DA3	3	0
	DA2	2	0
	DA1	1	1
	DA0	0	0

Table1. Device Address Description

	Register	BIT	Description
Data	D7	7	0 = Acknowledge disabled 1 = Acknowledge enabled
	D6	6	0
	D5	5	0
	D4	4	Data bit 4
	D3	3	Data bit 3
	D2	2	Data bit 2
	D1	1	Data bit 1
	D0	0	Data bit 0

Table2. Data Description

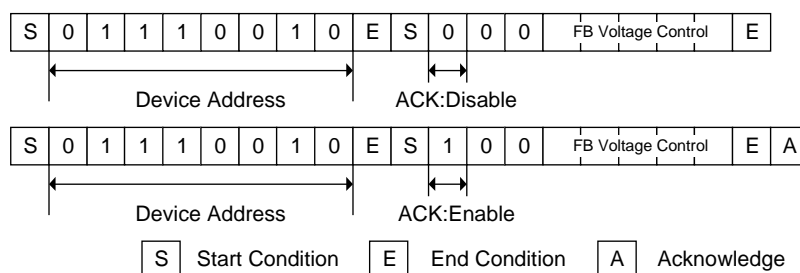


Fig5. Example of writing data

LV52204MU

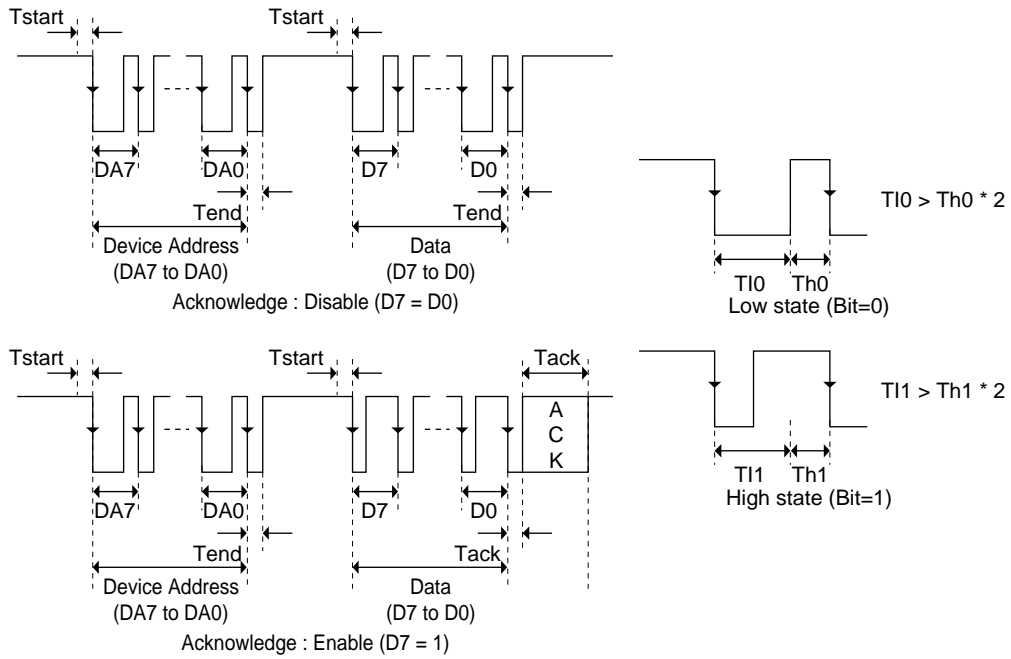


Fig6.Bit detection Diagram

	D7	D6	D5	D4	D3	D2	D1	D0	FB voltage (mV)
0	1/0	0	0	0	0	0	0	0	0
1	1/0	0	0	0	0	0	0	1	5
2	1/0	0	0	0	0	0	1	0	8
3	1/0	0	0	0	0	0	1	1	11
4	1/0	0	0	0	0	1	0	0	14
5	1/0	0	0	0	0	1	0	1	17
6	1/0	0	0	0	0	1	1	0	20
7	1/0	0	0	0	0	1	1	1	23
8	1/0	0	0	0	1	0	0	0	26
9	1/0	0	0	0	1	0	0	1	29
10	1/0	0	0	0	1	0	1	0	32
11	1/0	0	0	0	1	0	1	1	35
12	1/0	0	0	0	1	1	0	0	38
13	1/0	0	0	0	1	1	0	1	44
14	1/0	0	0	0	1	1	1	0	50
15	1/0	0	0	0	1	1	1	1	56
16	1/0	0	0	1	0	0	0	0	62
17	1/0	0	0	1	0	0	0	1	68
18	1/0	0	0	1	0	0	1	0	74
19	1/0	0	0	1	0	0	1	1	80
20	1/0	0	0	1	0	1	0	0	86
21	1/0	0	0	1	0	1	0	1	92
22	1/0	0	0	1	0	1	1	0	98
23	1/0	0	0	1	0	1	1	1	104
24	1/0	0	0	1	1	0	0	0	116
25	1/0	0	0	1	1	0	0	1	128
26	1/0	0	0	1	1	0	1	0	140
27	1/0	0	0	1	1	0	1	1	152
28	1/0	0	0	1	1	1	0	0	164
29	1/0	0	0	1	1	1	0	1	176
30	1/0	0	0	1	1	1	1	0	188
31	1/0	0	0	1	1	1	1	1	*200

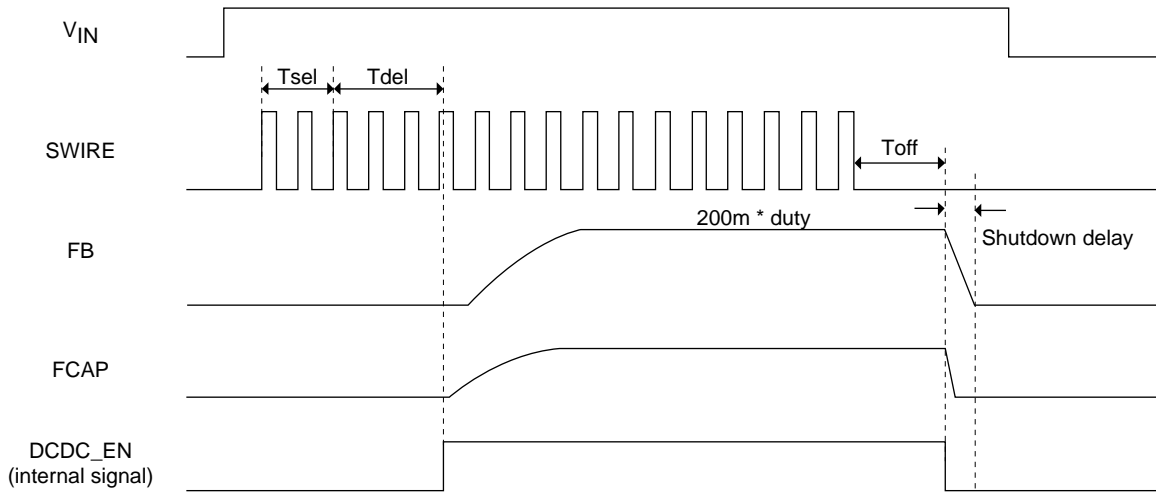
(*Default)

Table3. Data Register vs. FB Voltage

Start up and Shutdown

The device becomes enabled when SWIRE is initially taken high. The dimming mode is determined within T_{sel} and the boost converter start up after T_{del} . To place the device into shutdown mode, the SWIRE must be held low for T_{off} .

PWM MODE



Digital MODE

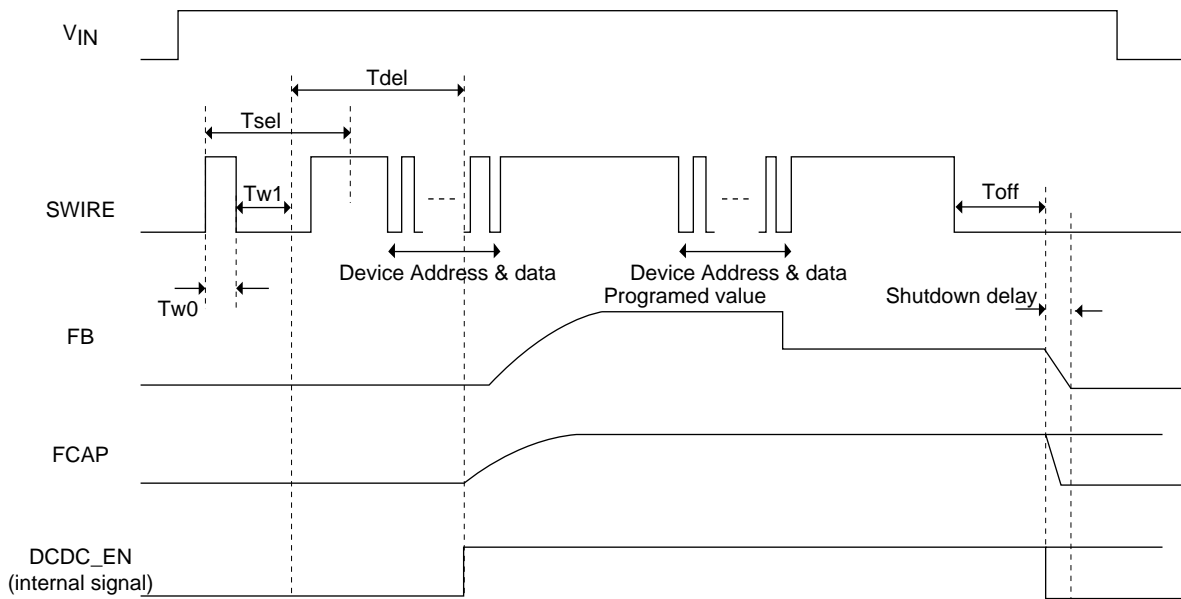


Fig7. Start up and shutdown diagram

LV52204MU

Open LED Protection

If SW terminal voltage exceeds a threshold V_{ovp} (38V typ) for 8 cycles, boost converter enters shutdown mode. In order to restart the IC, SWIRE signal is required again.

Over Current Protection

Current limit value for built-in power MOS is around 0.7A. The power MOS is turned off for each switching cycle when peak current through it exceeds the limit value.

Under Voltage Lock Out (UVLO)

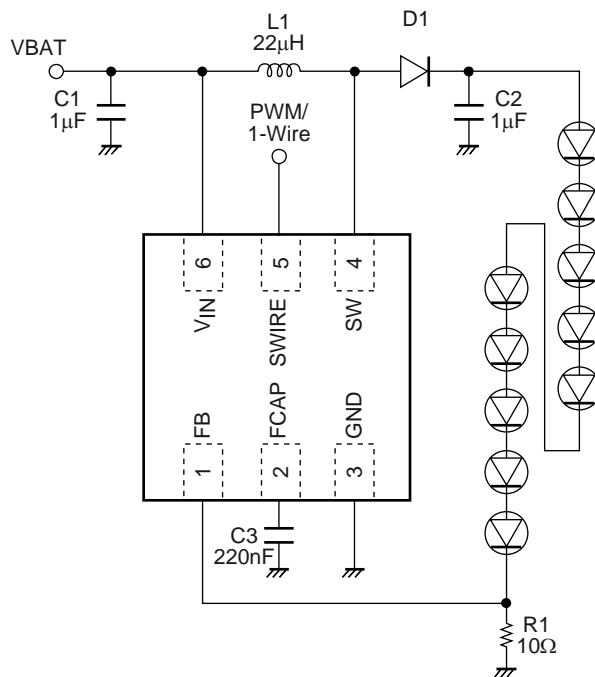
UVLO operation works when V_{IN} terminal voltage is below 2.2V.

Thermal Shutdown

When chip temperature is too high, boost converter is stopped.

Application Circuit Diagram

10LEDs



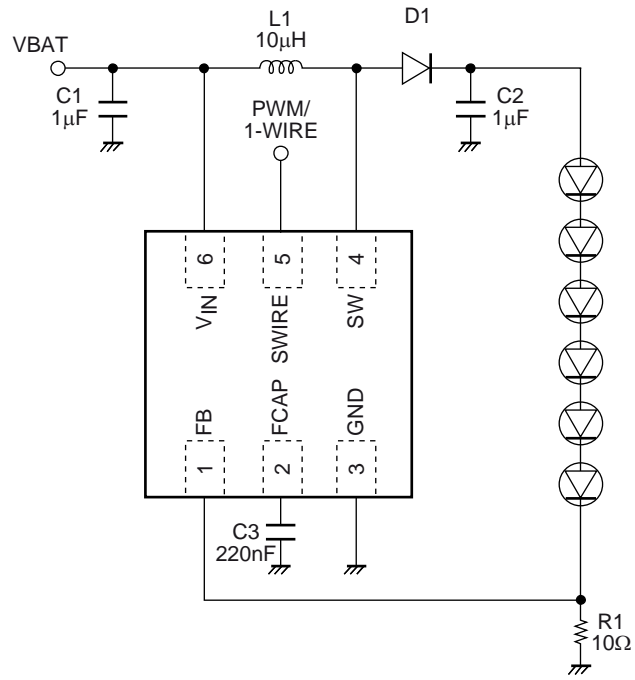
L1: VLS3012T-220M49 (TDK), VLF504015MT-220M (TDK)

D1: MBR0540T1 (ON semi), NSR05F40 (ONsemi)

C2: GRM21BR71H105K (Murata), C1608X5R1H105K (TDK)

LV52204MU

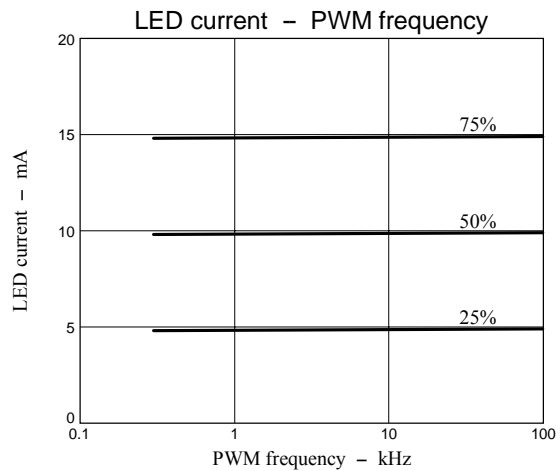
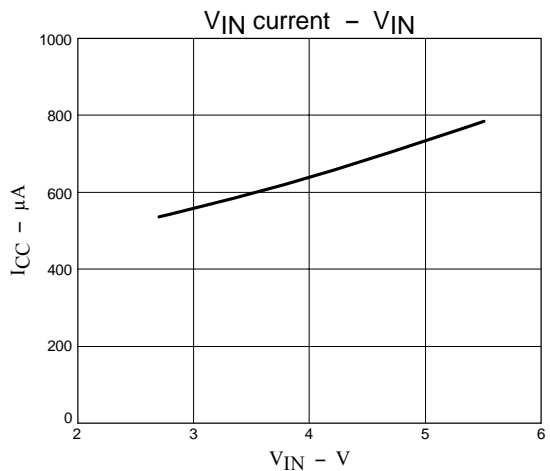
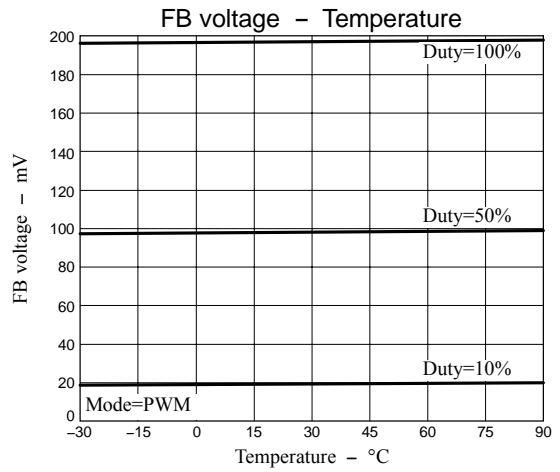
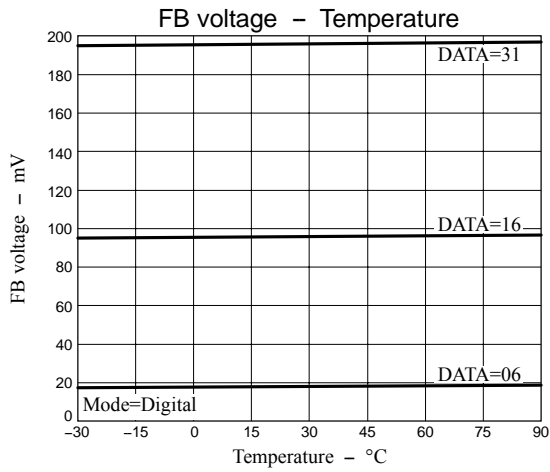
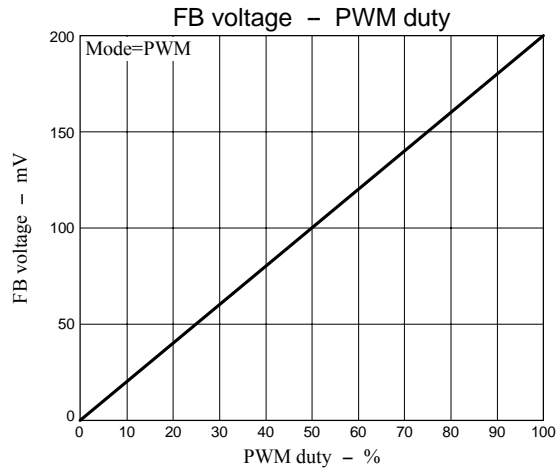
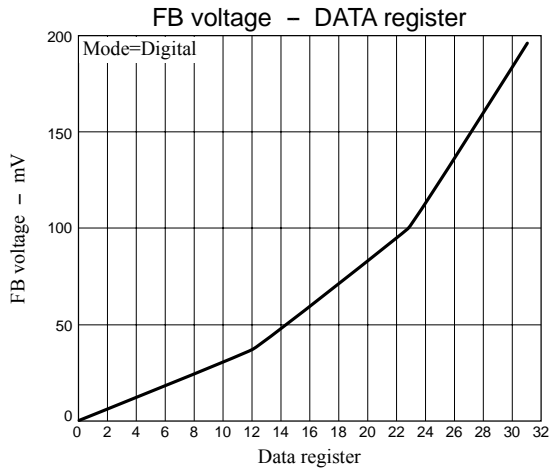
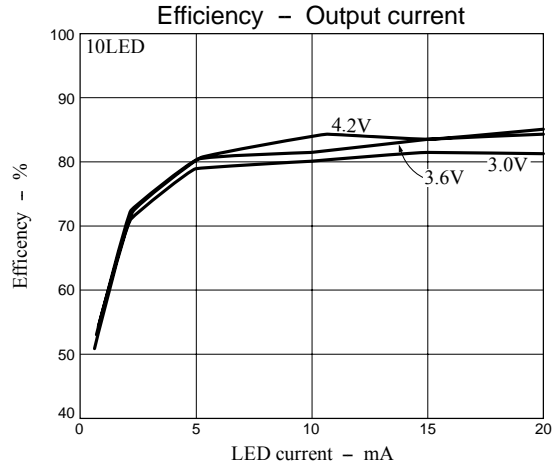
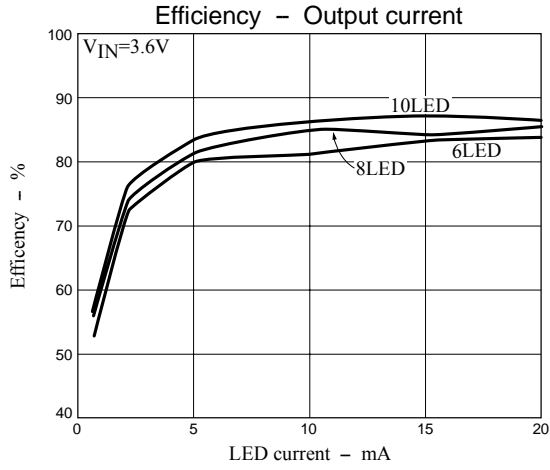
6LEDs



- L1: VLS3012T-100M72 (TDK), VLF302512M-100M (TDK)
D1: MBR0540T1 (ON semi), NSR05F40 (ONsemi)
C2: GRM21BR71H105K (Murata), C1608X5R1H105K (TDK)

LV52204MU

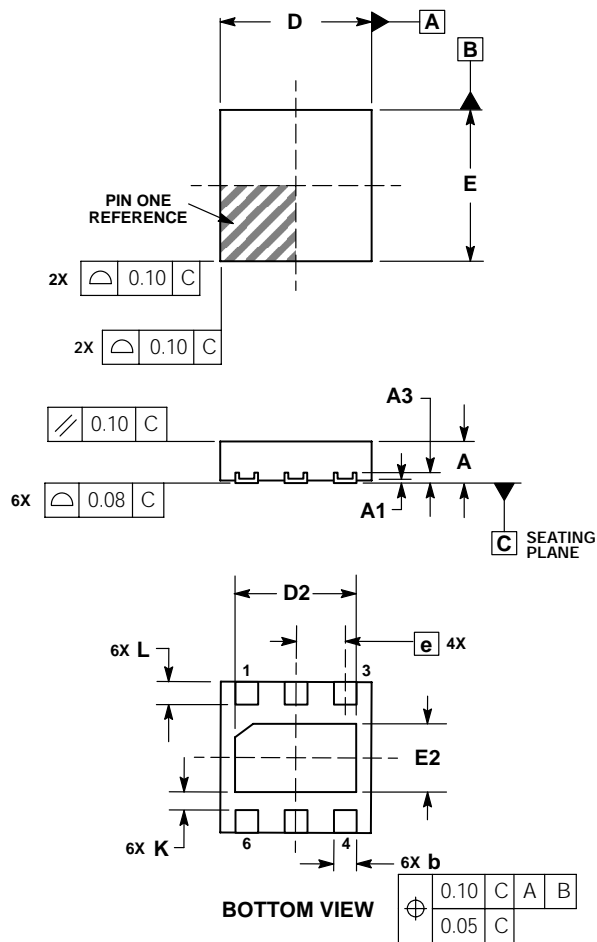
Typical Characteristics ($V_{IN} = 3.6V$, $L = 22\mu H$, $T = 25^\circ C$, unless otherwise specified)



LV52204MU

PACKAGE DIMENSIONS

UDFN6 2x2, 0.65P
CASE 517AB

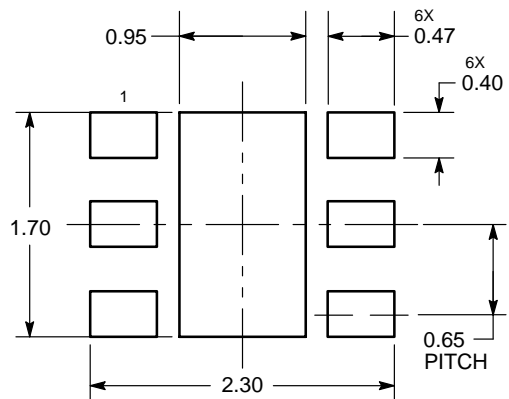


NOTES:

1. DIMENSIONING AND TOLERANCING PER ASME Y14.5M, 1994.
2. CONTROLLING DIMENSION: MILLIMETERS.
3. COPLANARITY APPLIES TO THE EXPOSED PAD AS WELL AS THE TERMINALS.

DIM	MILLIMETERS	
	MIN	MAX
A	0.45	0.55
A1	0.00	0.05
A3	0.127 REF	
b	0.25	0.35
D	2.00 BSC	
D2	1.50	1.70
E	2.00 BSC	
E2	0.80	1.00
e	0.65 BSC	
K	0.20	---
L	0.25	0.35

SOLDERING FOOTPRINT*



DIMENSIONS: MILLIMETERS

*For additional information on our Pb-Free strategy and soldering details, please download the ON Semiconductor Soldering and Mounting Techniques Reference Manual, SOLDERRM/D.

ORDERING INFORMATION

Device	Package	Shipping (Qty / Packing)
LV52204MUTBG	UDFN6 (2x2) (Pb-Free)	3000 / Tape & Reel

ON Semiconductor and the ON logo are registered trademarks of Semiconductor Components Industries, LLC (SCILLC). SCILLC owns the rights to a number of patents, trademarks, copyrights, trade secrets, and other intellectual property. A listing of SCILLC's product/patent coverage may be accessed at www.onsemi.com/site/pdf/Patent-Marking.pdf. SCILLC reserves the right to make changes without further notice to any products herein. SCILLC makes no warranty, representation or guarantee regarding the suitability of its products for any particular purpose, nor does SCILLC assume any liability arising out of the application or use of any product or circuit, and specifically disclaims any and all liability, including without limitation special, consequential or incidental damages. "Typical" parameters which may be provided in SCILLC data sheets and/or specifications can and do vary in different applications and actual performance may vary over time. All operating parameters, including "Typicals" must be validated for each customer application by customer's technical experts. SCILLC does not convey any license under its patent rights nor the rights of others. SCILLC products are not designed, intended, or authorized for use as components in systems intended for surgical implant into the body, or other applications intended to support or sustain life, or for any other application in which the failure of the SCILLC product could create a situation where personal injury or death may occur. Should Buyer purchase or use SCILLC products for any such unintended or unauthorized application, Buyer shall indemnify and hold SCILLC and its officers, employees, subsidiaries, affiliates, and distributors harmless against all claims, costs, damages, and expenses, and reasonable attorney fees arising out of, directly or indirectly, any claim of personal injury or death associated with such unintended or unauthorized use, even if such claim alleges that SCILLC was negligent regarding the design or manufacture of the part. SCILLC is an Equal Opportunity/Affirmative Action Employer. This literature is subject to all applicable copyright laws and is not for resale in any manner.



Компания «ЭлектроПласт» предлагает заключение долгосрочных отношений при поставках импортных электронных компонентов на взаимовыгодных условиях!

Наши преимущества:

- Оперативные поставки широкого спектра электронных компонентов отечественного и импортного производства напрямую от производителей и с крупнейших мировых складов;
- Поставка более 17-ти миллионов наименований электронных компонентов;
- Поставка сложных, дефицитных, либо снятых с производства позиций;
- Оперативные сроки поставки под заказ (от 5 рабочих дней);
- Экспресс доставка в любую точку России;
- Техническая поддержка проекта, помощь в подборе аналогов, поставка прототипов;
- Система менеджмента качества сертифицирована по Международному стандарту ISO 9001;
- Лицензия ФСБ на осуществление работ с использованием сведений, составляющих государственную тайну;
- Поставка специализированных компонентов (Xilinx, Altera, Analog Devices, Intersil, Interpoint, Microsemi, Aeroflex, Peregrine, Syfer, Eurofarad, Texas Instrument, Miteq, Cobham, E2V, MA-COM, Hittite, Mini-Circuits, General Dynamics и др.);

Помимо этого, одним из направлений компании «ЭлектроПласт» является направление «Источники питания». Мы предлагаем Вам помощь Конструкторского отдела:

- Подбор оптимального решения, техническое обоснование при выборе компонента;
- Подбор аналогов;
- Консультации по применению компонента;
- Поставка образцов и прототипов;
- Техническая поддержка проекта;
- Защита от снятия компонента с производства.



Как с нами связаться

Телефон: 8 (812) 309 58 32 (многоканальный)

Факс: 8 (812) 320-02-42

Электронная почта: org@eplast1.ru

Адрес: 198099, г. Санкт-Петербург, ул. Калинина, дом 2, корпус 4, литера А.