

3G3MX2

Designed With Machine Automation in Mind

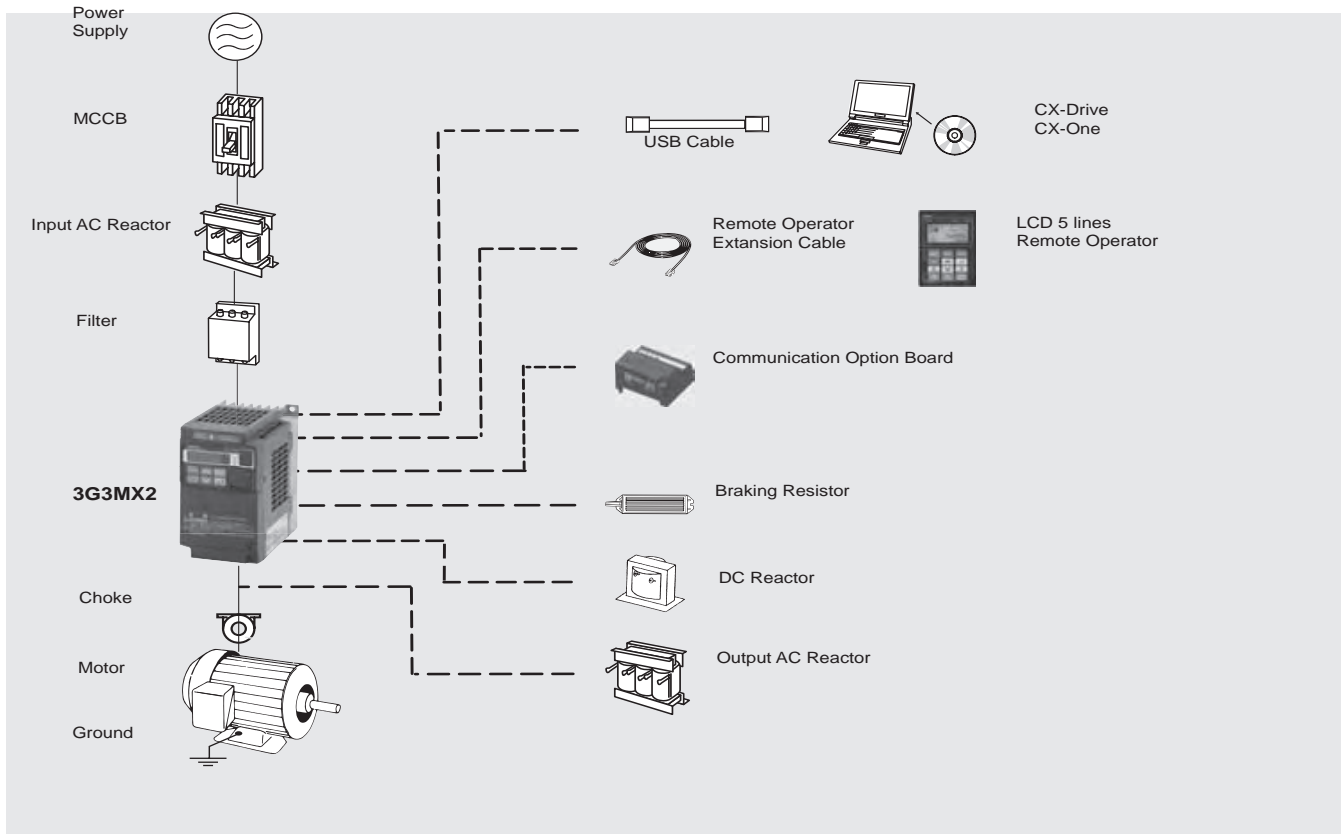
- Current vector control
- High starting torque: 200% at 0.5Hz
- Double rating VT 120%/1min and CT 150%/1min
- Speed range up to 1000 Hz
- IM & PM motor control
- Torque control in open loop vector
- Positioning functionality
- Built-in application functionality (i.e. Brake control)
- User programmable as standard
- Safety embedded compliant with ISO13849-1 (double input circuit and external device monitor EDM)
- USB port for PC programming
- 24 VDC backup supply for control board
- Fieldbus communications: Modbus, DeviceNet, Profibus, Componet, Ethercat, ML-II and CanOpen
- PC configuration tool: CX-Drive
- RoHS, CE, cULus

Ratings

- 200 V Class single-phase 0.2 to 2.2 kW (1/8 to 3.0 HP)
- 200 V Class three-phase 0.2 to 15.0 kW (1/8 to 20 HP)
- 400 V Class three-phase 0.4 to 15.0 kW (1/2 to 20 HP)



System configuration



Specifications

Type designation



200 V class 3G3MX-A

| Single-phase: MX2□ | | AB001 | AB002 | AB004 | AB007 ¹ | AB015 | AB022 | - | - | - | - | - | |
|--------------------------------|-----------------------------------|---|---|-------|--------------------|---------------------------|--------------------|--------------------------------|-------|------------|-------|-------|------|
| Three-phase: MX2□ | | A2001 | A2002 | A2004 | A2007 | A2015 | A2022 | A2037 | A2055 | A2075 | A2011 | A2150 | |
| Motor kW ² | For VT setting | 0.2 | 0.4 | 0.55 | 1.1 | 2.2 | 3.0 | 5.5 | 7.5 | 11 | 15 | 18.5 | |
| | For CT setting | 0.1 | 0.2 | 0.4 | 0.75 | 1.5 | 2.2 | 3.7 | 5.5 | 7.5 | 11 | 15 | |
| Output characteristics | Inverter capacity kVA | 200 VT | 0.4 | 0.6 | 1.2 | 2.0 | 3.3 | 4.1 | 6.7 | 10.3 | 13.8 | 19.3 | 23.9 |
| | | 200 CT | 0.2 | 0.5 | 1.0 | 1.7 | 2.7 | 3.8 | 6.0 | 8.6 | 11.4 | 16.2 | 20.7 |
| | | 240 VT | 0.4 | 0.7 | 1.4 | 2.4 | 3.9 | 4.9 | 8.1 | 12.4 | 16.6 | 23.2 | 28.6 |
| | | 240 CT | 0.3 | 0.6 | 1.2 | 2.0 | 3.3 | 4.5 | 7.2 | 10.3 | 13.7 | 19.5 | 24.9 |
| Rated output current (A) at VT | | 1.2 | 1.9 | 3.5 | 6.0 | 9.6 | 12.0 | 19.6 | 30.0 | 40.0 | 56.0 | 69.0 | |
| Rated output current (A) at CT | | 1.0 | 1.6 | 3.0 | 5.0 | 8.0 | 11.0 | 17.5 | 25.0 | 33.0 | 47.0 | 60.0 | |
| Max. output voltage | | Proportional to input voltage: 0..240 V | | | | | | | | | | | |
| Max. output frequency | | 1000 Hz ³ | | | | | | | | | | | |
| Power supply | Rated input voltage and frequency | | Single-phase 200..240 V 50/60 Hz 3-phase 200..240 V 50/60 Hz | | | | | | | | | | |
| | Allowable voltage fluctuation | | -15%..+10% | | | | | | | | | | |
| | Allowable frequency fluctuation | | 5% | | | | | | | | | | |
| Braking torque | | At short-time deceleration At capacitor feedback | | | | 100%: <50Hz 50%: <60Hz | | 70%: <50Hz 50%: <60Hz | | Approx 20% | | - | |
| Cooling method | | Self cooling | | | | | Forced-air-cooling | | | | | | |

1. Single phase model use forced air cooling but three phase model is self cooling.
2. Based on a standard 3-Phase standard motor.
3. Above 400Hz with some function limitation.

400 V class 3G3MX-A4

| Three-phase: MX2□ | | A4004 | A4007 | A4015 | A4022 | A4030 | A4040 | A4055 | A4075 | A4110 | A4150 | |
|--------------------------------|-----------------------------------|---|-----------------------------|-------|-------|---------------------------|-------|--------------------------------|-------|-------|-------|------|
| Motor kW ¹ | For VT setting | 0.75 | 1.5 | 2.2 | 3.0 | 4.0 | 5.5 | 7.5 | 11 | 15 | 18.5 | |
| | For CT setting | 0.4 | 0.75 | 1.5 | 2.2 | 3.0 | 4.0 | 5.5 | 7.5 | 11 | 15 | |
| Output characteristics | Inverter capacity kVA | 380 VT | 1.3 | 2.6 | 3.5 | 4.5 | 5.7 | 7.3 | 11.5 | 15.1 | 20.4 | 25.0 |
| | | 380 CT | 1.1 | 2.2 | 3.1 | 3.6 | 4.7 | 6.0 | 9.7 | 11.8 | 15.7 | 20.4 |
| | | 480 VT | 1.7 | 3.4 | 4.4 | 5.7 | 7.3 | 9.2 | 14.5 | 19.1 | 25.7 | 31.5 |
| | | 480 CT | 1.4 | 2.8 | 3.9 | 4.5 | 5.9 | 7.6 | 12.3 | 14.9 | 19.9 | 25.7 |
| Rated output current (A) at VT | | 2.1 | 4.1 | 5.4 | 6.9 | 8.8 | 11.1 | 17.5 | 23.0 | 31.0 | 38.0 | |
| Rated output current (A) at CT | | 1.8 | 3.4 | 4.8 | 5.5 | 7.2 | 9.2 | 14.8 | 18.0 | 24.0 | 31.0 | |
| Max. output voltage | | Proportional to input voltage: 0..480 V | | | | | | | | | | |
| Max. output frequency | | 1000 Hz ² | | | | | | | | | | |
| Power supply | Rated input voltage and frequency | | 3-phase 380..480 V 50/60 Hz | | | | | | | | | |
| | Allowable voltage fluctuation | | -15%..+10% | | | | | | | | | |
| | Allowable frequency fluctuation | | 5% | | | | | | | | | |
| Braking torque | | At short-time deceleration ⁺³ At capacitor feedback | | | | 100%: <50Hz 50%: <60Hz | | 70%: <50Hz 50%: <60Hz | | - | | - |
| Cooling method | | Forced-air-cooling | | | | | | | | | | |

1. Based on a standard 3-Phase standard motor.
2. Above 400Hz with some function limitation.

Specifications

Common specifications

| Model number 3G3MX□ | | Specifications | |
|------------------------|-----------------------------------|---|---|
| Control functions | Control methods | Phase-to-phase sinusoidal pulse with modulation PWM (Sensorless vector control, close loop vector with motor feedback, V/F) | |
| | Output frequency range | 0.10..1000.00 Hz (with restrictions above 400Hz) | |
| | Frequency precision | Digital set value: ±0.01% of the max. frequency Analogue set value: ±0.2% of the max. frequency (25 ±10 °C) | |
| | Resolution of frequency set value | Digital set value: 0.01 Hz Analogue set value: 1/1000 of maximum frequency | |
| | Resolution of output frequency | 0.01Hz | |
| | Starting torque | 200% / 0.5Hz | |
| | Overload capability | Dual rating: Heavy duty (CT): 150% for 1 minute Normal Duty (VT): 120% for 1 minute | |
| | Frequency set value | 0 to 10 VDC (10KΩ), 4 to 20mA (100Ω), RS485 Modbus, Network options | |
| | V/f Characteristics | Constant/ reduced torque, free V/f | |
| Functionality | Inputs signals | FW (forward run command), RV (reverse run command), CF1~CF4 (multi-stage speed setting), JG (jog command), DB (external braking), SET (set second motor), 2CH (2-stage accel./decel. command), FRS (free run stop command), EXT (external trip), USP (startup function), CS (commercial power switchover), SFT (soft lock), AT (analog input selection), RS (reset), PTC (thermistor thermal protection), STA (start), STP (stop), F/R (forward/reverse), PID (PID disable), PIDC (PID reset), UP (remote control up function), DWN (remote control down function), UDC (remote control data clear), OPE (operator control), SF1~SF7 (multi-stage speed setting; bit operation), OLR (overload restriction), TL (torque limit enable), TRQ1 (torque limit changeover1), TRQ2 (torque limit changeover2), BOK (Braking confirmation), LAC (LAD cancellation), PCLR (position deviation clear), ADD (add frequency enable), F-TM (force terminal mode), ATR (permission of torque command input), KHC (Cumulative power clear), MI1~MI7 (general purpose inputs for EzSQ), AHD (analog command hold), CP1~CP3 (multistage-position switches), ORL (limit signal of zero-return), ORC (trigger signal of zero-return), SPD (speed/position changeover), GS1~GS2 (STO inputs, safety related signals), 485 (Starting communication signal), PRG (executing EzSQ program), HLD (retain output frequency), ROK (permission of run command), EB (rotation direction detection of B-phase), DISP (display limitation), OP (option control signal), NO (no function) | |
| | Output signals | RUN (run signal), FA1~FA5 (frequency arrival signal), OL,OL2 (overload advance notice signal), OD (PID deviation error signal), AL (alarm signal), OTQ (over/under torque threshold), UV (under-voltage), TRQ (torque limit signal), RNT (run time expired), ONT (power ON time expired), THM (thermal warning), BRK (brake release), BER (brake error), ZS (0Hz detection), DSE (speed deviation excessive), POK (positioning completion), ODc (analog voltage input disconnection), OIdc (analog current input disconnection), FBV (PID second stage output), NDc (network disconnect detection), LOG1~LOG3 (Logic output signals), WAC (capacitor life warning), WAF (cooling fan warning), FR (starting contact), OHF (heat sink overheat warning), LOC (Low load), MO1~MO3 (general outputs for EzSQ), IRDY (inverter ready), FWR (forward operation), RVR (reverse operation), MJA (major failure), WCO (window comparator O), WCOI (window comparator OI), FREF (frequency command source), REF (run command source), SETM (second motor in operation), EDM (STO (safe torque off) performance monitor), OP (option control signal), NO (no function) | |
| | Standard functions | Free-V/f, manual/automatic torque boost, output voltage gain adjustment, AVR function, reduced voltage start, motor data selection, auto-tuning, motor stabilization control, reverse running protection, simple position control, simple torque control, torque limiting, automatic carrier frequency reduction, energy saving operation, PID function, non-stop operation at instantaneous power failure, brake control, DC injection braking, dynamic braking (BRD), frequency upper and lower limiters, jump frequencies, curve accel and decel (S, U, inversed U,EL-S), 16-stage speed profile, fine adjustment of start frequency, accel and decel stop, process jogging, frequency calculation, frequency addition, 2-stage accel/decel, stop mode selection, start/end freq., analog input filter, window comparators, input terminal response time, output signal delay/hold function, rotation direction restriction, stop key selection, software lock, safe stop function, scaling function, display restriction, password function, user parameter, initialization, initial display selection, cooling fan control, warning, trip retry, frequency pull-in restart, frequency matching, overload restriction, over current restriction, DC bus voltage AVR | |
| | Analogue inputs | 2 analogue inputs 0 to 10V (10KΩ), 4 to 20mA (100Ω) | |
| | Pulse train input terminal | 0 to 10V (up to 24V), up to 32KHz | |
| | Accel/Decel times | 0.01 to 3600.0s (line/curve selection), 2nd accel/decel setting available | |
| | Display | Status indicator LED's Run, Program, Alarm, Power, Hz, Amps Digital operator: Available to monitor 32 items: frequency reference, output current, output frequency... | |
| | Protection functions | Motor overload protection | Electronic Thermal overload relay and PTC thermistor input |
| | | Instantaneous overcurrent | 200% of rated current |
| | | Overload | Dual rating: Heavy duty (CT): 150% for 1 minute Normal Duty (VT): 120% for 1 minute |
| Overvoltage | | 800V for 400V type and 400V for 200V type | |
| Undervoltage | | 345V for 400V type and 172.5V for 200V type | |
| Momentary power loss | | Following items are selectable: Alarm, decelerates to stop, decelerates to stop with DC bus controlled, restart | |
| Cooling fin overheat | | Temperature monitor and error detection | |
| Stall prevention level | | Stall prevention during acceleration/deceleration and constant speed | |
| Ground fault | | Detection at power-on | |
| Ambient conditions | Power charge indication | On when power is supplied to the control part | |
| | Degree of protection | IP20, Varnish coating on PCB | |
| | Ambient humidity | 90% RH or less (without condensation) | |
| | Storage temperature | -20 °C..+65 °C (short-term temperature during transportation) | |
| | Ambient temperature | -10°C to 40°C | |
| | Vibration | Indoor (no corrosive gas, dust, etc.) Max. 1000 m 5.9 m/s ² (0.6G), 10 to 55 Hz | |

Dimensions



| Voltage class | Inverter model | MX2 | Figure | Dimensions in mm | | | | | | | | Weight (KG) | |
|-----------------------|----------------|-----|--------|------------------|-----|-----|-------|----|-------|------|-----|-------------|-----|
| | | | | W | W1 | H | H1 | t | D | D1 | D2 | | d |
| Single-phase 200 V | AB001 | | 1 | 68 | 56 | 128 | 118 | - | 109 | 13.5 | - | - | 1.0 |
| | AB002 | 1 | 1.0 | | | | | | | | | | |
| | AB004 | 1 | 1.1 | | | | | | | | | | |
| | AB007 | 2 | 108 | 96 | 128 | 118 | 123 | | 27 | 1.4 | | | |
| | AB015 | 2 | | | | | 1.8 | | | | | | |
| AB022 | 2 | 1.8 | | | | | | | | | | | |
| Three-phase 200 V | A2001 | | 1 | 68 | 56 | 128 | 118 | - | 109 | 13.5 | - | - | 1.0 |
| | A2002 | 1 | 1.0 | | | | | | | | | | |
| | A2004 | 1 | 1.1 | | | | | | | | | | |
| | A2007 | 1 | 146 | 50 | 1.2 | | | | | | | | |
| | A2015 | 2 | 108 | 96 | 128 | 118 | 170.5 | | 55 | 4.4 | 4.5 | 1.6 | |
| | A2022 | 2 | | | | | 1.8 | | | | | | |
| | A2037 | 3 | 140 | 128 | 128 | 118 | 5 | | 170.5 | 55 | 4.4 | 4.5 | 2.0 |
| | A2055 | 3 | 140 | 122 | 260 | 248 | 6 | | 155 | 73.3 | 6 | 6 | 3.0 |
| | A2075 | 3 | | | | | | | | | | | 3.4 |
| | A2110 | 3 | 180 | 160 | 296 | 284 | 7 | | 175 | 97 | 5 | 7 | 5.1 |
| A2150 | 3 | 220 | 192 | 350 | 336 | 7 | 175 | 84 | 5 | 7 | 7.4 | | |
| Three-phase 400 V | A4004 | | 2 | 108 | 96 | 128 | 118 | - | 144 | 28 | - | - | 1.5 |
| | A4007 | 2 | 1.6 | | | | | | | | | | |
| | A4015 | 2 | 1.8 | | | | | | | | | | |
| | A4022 | 2 | 1.9 | | | | | | | | | | |
| | A4030 | 2 | 1.9 | | | | | | | | | | |
| | A4040 | 3 | 140 | 128 | 128 | 118 | 5 | | 171 | 55 | 4.4 | 4.5 | 2.1 |
| | A4055 | 3 | | 122 | 260 | 248 | 6 | | 155 | 73.3 | 6 | 6 | 3.5 |
| | A4075 | 3 | 3.5 | | | | | | | | | | |
| | A4110 | 3 | 180 | 160 | 296 | 284 | 7 | | 175 | 97 | 5 | 7 | 4.7 |
| | A4150 | 3 | | | | | | | | | | | 5.2 |

Rasmi footprint Filters 3G3AX-FIM



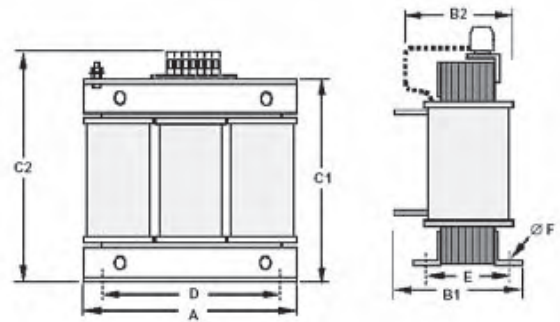
| Rasmi model | | Dimensions in mm | | | | | |
|-------------|---------------|-------------------|----|-----|-----|-----|----|
| | | W | H | L | X | Y | M |
| 1x200 V | AX-FIM1010-RE | 71 | 45 | 169 | 156 | 51 | M4 |
| | AX-FIM1014-RE | 111 | 50 | 169 | 156 | 91 | M4 |
| | AX-FIM1024-RE | 111 | 50 | 169 | 156 | 91 | M4 |
| 3x200 V | AX-FIM2010-RE | Under development | | | | | |
| | AX-FIM2020-RE | | | | | | |
| | AX-FIM2030-RE | | | | | | |
| | AX-FIM2060-RE | | | | | | |
| | AX-FIM2080-RE | | | | | | |
| 3x400 V | AX-FIM3005-RE | 111 | 45 | 169 | 156 | 91 | M4 |
| | AX-FIM3010-RE | 111 | 45 | 169 | 156 | 91 | M4 |
| | AX-FIM3014-RE | 144 | 50 | 174 | 161 | 120 | M4 |
| | AX-FIM3030-RE | 150 | 52 | 306 | 290 | 122 | M5 |
| | AX-FIM3050-RE | 182 | 62 | 357 | 330 | 160 | M5 |

Option board



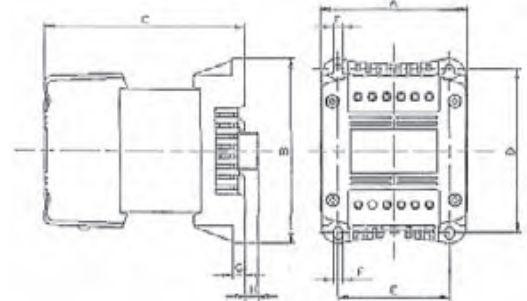
Input AC Reactor 3G3AX-RAI

| Voltage | Reference | Dimensions in mm | | | | | | Weight Kg |
|---------|-------------------|------------------|----|-----|-----|----|-----|-----------|
| | | A | B2 | C2 | D | E | F | |
| 200V | AX-RAI02800080-DE | 120 | 70 | 120 | 80 | 52 | 5.5 | 1.78 |
| | AX-RAI00880200-DE | 120 | 80 | 120 | 80 | 62 | 5.5 | 2.35 |
| | AX-RAI00350335-DE | 180 | 85 | 190 | 140 | 55 | 6 | 5.5 |
| | AX-RAI00180670-DE | 180 | 85 | 190 | 140 | 55 | 6 | 5.5 |
| 400V | AX-RAI07700050-DE | 120 | 70 | 120 | 80 | 52 | 5.5 | 1.78 |
| | AX-RAI03500100-DE | 120 | 80 | 120 | 80 | 62 | 5.5 | 2.35 |
| | AX-RAI01300170-DE | 120 | 80 | 120 | 80 | 62 | 5.5 | 2.50 |
| | AX-RAI00740335-DE | 180 | 85 | 190 | 140 | 55 | 6 | 5.5 |



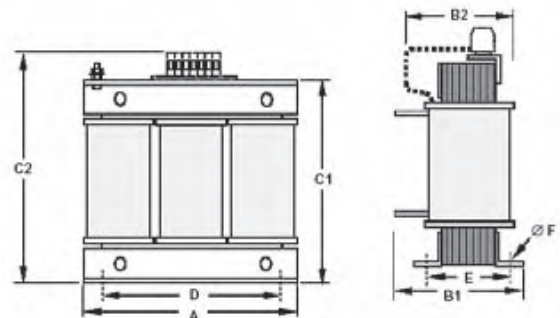
DC Reactor 3G3ZX-RC

| Voltage | Reference | Dimensions in mm | | | | | | | | Weight Kg | |
|---------|------------------|------------------|------|-------|-----|-----|---|-----|---|-----------|------|
| | | A | B | C | D | E | F | G | H | | |
| 200V | AX-RC21400016-RE | 84 | 113 | 96 | 101 | 66 | 5 | 7.5 | 2 | 1.22 | |
| | AX-RC10700032-RE | | | 105 | | | | | | | 1.60 |
| | AX-RC06750061-RE | | | 116 | | | | | | | |
| | AX-RC03510093-RE | | | 124 | | | | | | | 3.20 |
| | AX-RC02510138-RE | 136 | 5.20 | | | | | | | | |
| | AX-RC01600223-RE | 146 | | 6.00 | | | | | | | |
| | AX-RC01110309-RE | 160 | 11.4 | | | | | | | | |
| | AX-RC00840437-RE | 182.6 | | 14.3 | | | | | | | |
| | AX-RC00590614-RE | 150 | 177 | | 160 | 115 | 7 | 2 | - | - | |
| | AX-RC00440859-RE | 150 | 177 | 182.6 | 160 | 115 | 7 | 2 | - | | |
| 400V | AX-RC43000020-RE | 84 | 113 | 96 | 101 | 66 | 5 | 7.5 | 2 | 1.22 | |
| | AX-RC27000030-RE | | | 105 | | | | | | | 1.60 |
| | AX-RC14000047-RE | | | 116 | | | | | | | |
| | AX-RC10100069-RE | | | 124 | | | | | | | 3.70 |
| | AX-RC06400116-RE | 136 | 5.20 | | | | | | | | |
| | AX-RC04410167-RE | 146 | | 6.00 | | | | | | | |
| | AX-RC03350219-RE | 160 | 11.4 | | | | | | | | |
| | AX-RC02330307-RE | 182.6 | | 14.3 | | | | | | | |
| | AX-RC01750430-RE | 150 | 177 | | 160 | 115 | 7 | 2 | - | - | |
| | AX-RC01750430-RE | 150 | 177 | 182.6 | 160 | 115 | 7 | 2 | - | | |



Output AC Reactor 3G3AX-RAO

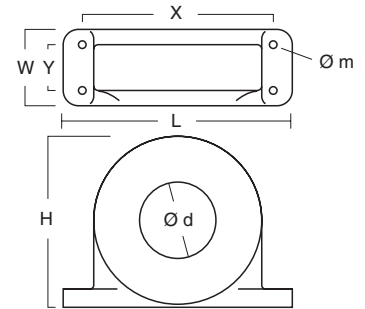
| Voltage | Reference | Dimensions in mm | | | | | | Weight Kg |
|---------|-------------------|------------------|----|-----|-----|----|-----|-----------|
| | | A | B2 | C2 | D | E | F | |
| 200V | AX-RAO11500026-DE | 120 | 70 | 120 | 80 | 52 | 5.5 | 1.78 |
| | AX-RAO07600042-DE | 120 | 70 | 120 | 80 | 52 | 5.5 | 1.78 |
| | AX-RAO04100075-DE | 120 | 80 | 120 | 80 | 62 | 5.5 | 2.35 |
| | AX-RAO03000105-DE | 120 | 80 | 120 | 80 | 62 | 5.5 | 2.35 |
| | AX-RAO01830180-DE | 180 | 85 | 190 | 140 | 55 | 6 | 5.5 |
| | AX-RAO01150220-DE | 180 | 85 | 190 | 140 | 55 | 6 | 5.5 |
| | AX-RAO00950320-DE | 180 | 85 | 205 | 140 | 55 | 6 | 6.5 |
| | AX-RAO00630430-DE | 180 | 95 | 205 | 140 | 65 | 6 | 9.1 |
| | AX-RAO00490640-DE | 180 | 95 | 205 | 140 | 65 | 6 | 9.1 |



| Voltage | Reference | Dimensions in mm | | | | | | Weight Kg |
|---------|-------------------|------------------|-----|-----|-----|----|-----|-----------|
| | | A | B2 | C2 | D | E | F | |
| 400V | AX-RAO16300038-DE | 120 | 70 | 120 | 80 | 52 | 5.5 | 1.78 |
| | AX-RAO11800053-DE | 120 | 80 | 120 | 80 | 52 | 5.5 | 2.35 |
| | AX-RAO07300080-DE | 120 | 80 | 120 | 80 | 62 | 5.5 | 2.35 |
| | AX-RAO04600110-DE | 180 | 85 | 190 | 140 | 55 | 6 | 5.5 |
| | AX-RAO03600160-DE | 180 | 85 | 205 | 140 | 55 | 6 | 6.5 |
| | AX-RAO02500220-DE | 180 | 95 | 205 | 140 | 55 | 6 | 9.1 |
| | AX-RAO02000320-DE | 180 | 105 | 205 | 140 | 85 | 6 | 11.7 |

Chokes 3G3AX-FEJ

| Reference | D diameter | Motor KW | Dimensions in mm | | | | | | Weight Kg |
|---------------|------------|----------|------------------|----|-----|-----|----|---|-----------|
| | | | L | W | H | X | Y | m | |
| AX-FEJ2102-RE | 21 | < 2.2 | 85 | 22 | 46 | 70 | - | 5 | 0.1 |
| AX-FEJ2515-RE | 25 | < 15 | 105 | 25 | 62 | 90 | - | 5 | 0.2 |
| AX-FEJ5045-RE | 50 | < 45 | 150 | 50 | 110 | 125 | 30 | 5 | 0.7 |



Resistor Dimensions 3G3AX-REM

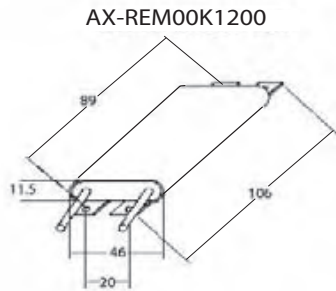


Fig 1

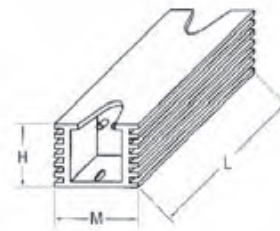


Fig 2

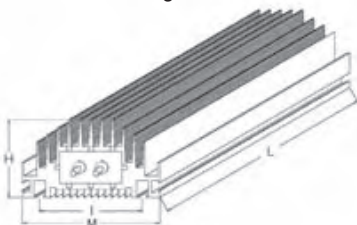


Fig 3

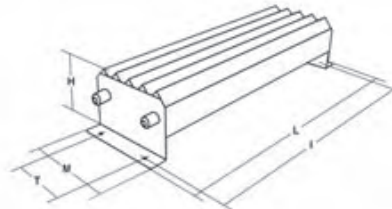


Fig 4



| Type | Fig. | Dimensions in mm | | | | | Weight KG |
|------------------|------|------------------|-----|-----|-----|-----|-----------|
| | | L | H | M | I | T | |
| AX-REM00K1400-IE | 1 | 105 | 27 | 36 | 94 | - | 0.2 |
| AX-REM00K2070-IE | | | | | | | |
| AX-REM00K2120-IE | | | | | | | |
| AX-REM00K2200-IE | | | | | | | |
| AX-REM00K4075-IE | | | | | | | |
| AX-REM00K4035-IE | | | | | | | |
| AX-REM00K4030-IE | | | | | | | |
| AX-REM00K5120-IE | | | | | | | |
| AX-REM00K6100-IE | | | | | | | |
| AX-REM00K6035-IE | 2 | 200 | 62 | 100 | 74 | - | 1.41 |
| AX-REM00K9070-IE | | | | | | | |
| AX-REM00K9017-IE | 3 | 365 | 73 | 105 | 350 | 70 | 4 |
| AX-REM01K9070-IE | | | | | | | |
| AX-REM01K9017-IE | 4 | 310 | 100 | 240 | 295 | 210 | 7 |
| AX-REM02K1070-IE | | | | | | | |
| AX-REM02K1017-IE | | | | | | | |
| AX-REM03K5035-IE | | | | | | | |
| AX-REM03K5010-IE | | 365 | 100 | 240 | 350 | 210 | 8 |

Standard connections



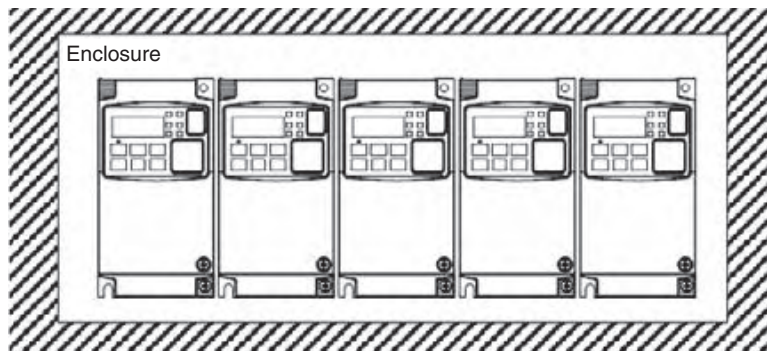
Terminal Block Specifications

| Terminal | Name | Function (signal level) |
|------------------|------------------------------------|--|
| R/L1, S/L2, T/L3 | Main circuit power supply input | Used to connect line power to the drive. Drives with single-phase 200 V input power use only terminals R/L1 and N (T/L3), terminal S/L2 is not available for these units |
| U/T1, V/T2, W/T3 | Inverter output | Used to connect the motor |
| PD/+1, P/+ | External DC reactor terminal | Normally connected by the short-circuit bar. Remove the short-circuit bar between +1 and P/+2 when a DC reactor is connected. |
| P/+, N/- | Regenerative braking unit terminal | Connect optional regenerative braking units (If a braking torque is required) |
| P/+, RB | Braking resistor terminals | Connect option braking resistor (if a braking torque is required) |
| ⊕ | Grounding | For grounding (grounding should conform to the local grounding code.) |

Control Circuit

| Type | No. | Signal name | Function | Signal level |
|------------------------|--------|---|--|---|
| Digital input signals | PLC | Intelligent input common | Source type: connecting [P24] to [1]-[7] turns inputs ON Sink type: connecting [L] to [1]-[7] turns inputs ON | - |
| | P24 | Internal 24 VDC | 24 VDC, 30mA | 24VDC, 30mA |
| | 1 | Multi-function Input selection 1 | Factory setting: Forward/ Stop | 27 VDC max |
| | 2 | Multi-function Input selection 2 | Factory setting: Reverse/ Stop | |
| | 3/ST1 | Multi-function Input selection 3 / safe stop input 1 | Factory setting: External trip | |
| | 4/ST2 | Multi-function Input selection 4 / safe stop input 2 | Factory setting: Reset | |
| | 5/PTC | Multi-function Input selection 5 / PTC thermistor input | Factory setting: Multi-step speed reference 1 | |
| | 6 | Multi-function input selection 6 | Factory setting: Multi-step speed reference 2 | |
| | 7/EB | Multi-function input selection 7 / Pulse train input B | Factory setting: Jog | |
| | L | Multi-function Input selection common (in upper row) | -- | |
| Pulse train | EA | Pulse train input A | Factory setting: Speed reference | 32KHz max 5 to 24VDC |
| | EO | Pulse train output | LAD frequency | 10VDC 2mA 32KHz max |
| Analog input signal | H | Frequency reference power supply | 10 V DC 10mA max | |
| | O | Voltage frequency reference signal | 0 to 10V DC (10KΩ) | |
| | OI | Current frequency reference signal | 4 to 20mA (250Ω) | |
| | L | Frequency reference common (bottom row) | -- | |
| Digital output signals | 11/EDM | Discrete logic output 1 / EDM output | Factory setting: During Run | 27 VDC, 50mA max EDM based on ISO13849-1 |
| | 12 | Discrete logic output 2 | Factory setting: Frequency arrival type 1 | |
| | CMD | GND logic output | -- | |
| | AL0 | Relay common contact | Factory setting: Alarm signal Under normal operation AL1 - AL0 Closed AL2 - AL0 Open | R load 250VAC 2.5A 30VDC 3.0 A I load 250VAC 0.2A 30VDC 0.7A |
| | AL1 | Relay contact, normally open | | |
| | AL2 | Relay contact, normally closed | | |
| Monitor Signal | AM | Analog voltage output | Factory setting: LAD frequency | 0 to 10VDC 1mA |
| Comms | SP | Serial communication terminal | RS485 Modbus communication | |
| | SN | | | |

Side by side mounting



Inverter heat loss

Three-phase 200 V class

| Model 3G3MX2 | | A2001 | A2002 | A2004 | A2007 | A2015 | A2022 | A2037 | A2055 | A2075 | A2110 | A2150 |
|--------------------------|--------|--------------|-------|-------|-------|-------|--------------------|-------|-------|-------|-------|-------|
| Inverter capacity kVA | 200 VT | 0.4 | 0.6 | 1.2 | 2.0 | 3.3 | 4.1 | 6.7 | 10.3 | 13.8 | 19.3 | 23.9 |
| | 200 CT | 0.2 | 0.5 | 1.0 | 1.7 | 2.7 | 3.8 | 6.0 | 8.6 | 11.4 | 16.2 | 20.7 |
| | 240 VT | 0.4 | 0.7 | 1.4 | 2.4 | 3.9 | 4.9 | 8.1 | 12.4 | 16.6 | 23.2 | 28.6 |
| | 240 CT | 0.3 | 0.6 | 1.2 | 2.0 | 3.3 | 4.5 | 7.2 | 10.3 | 13.7 | 19.5 | 24.9 |
| Rated current (A) VT | | 1.2 | 1.9 | 3.4 | 6.0 | 9.6 | 12.0 | 19.6 | 30.0 | 40.0 | 56.0 | 69.0 |
| Rated current (A) CT | | 1.0 | 1.6 | 3.0 | 5.0 | 8.0 | 11.0 | 17.5 | 25.0 | 33.0 | 47.0 | 60.0 |
| Total heat loss | | 12 | 22 | 30 | 48 | 79 | 104 | 154 | 229 | 313 | 458 | 625 |
| Efficiency at rated load | | 89.5 | 90 | 93 | 94 | 95 | 95.5 | 96 | 96 | 96 | 96 | 96 |
| Cooling Method | | Self cooling | | | | | Forced-air-cooling | | | | | |

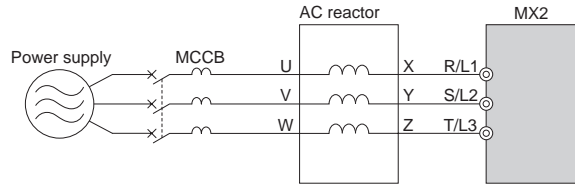
Single-phase 200 V class 3G3MX2-AB

| Model MX2 | | AB001 | AB002 | AB004 | AB007 | AB015 | AB022 |
|--------------------------|---------|--------------|-------|-------|--------------------|-------|-------|
| Inverter capacity kVA | 200V VT | 0.4 | 0.6 | 1.2 | 2.0 | 3.3 | 4.1 |
| | 200V CT | 0.2 | 0.5 | 1.0 | 1.7 | 2.7 | 3.8 |
| | 240V VT | 0.4 | 0.7 | 1.4 | 2.4 | 3.9 | 4.9 |
| | 240V CT | 0.3 | 0.6 | 1.2 | 2.0 | 3.3 | 4.5 |
| Rated current (A) VT | | 1.2 | 1.9 | 3.4 | 6.0 | 9.6 | 12.0 |
| Rated current (A) CT | | 1.0 | 1.6 | 3.0 | 5.0 | 8.0 | 11.0 |
| Total heat loss | | 12 | 22 | 30 | 48 | 79 | 104 |
| Efficiency at rated load | | 89.5 | 90 | 93 | 94 | 95 | 95.5 |
| Cooling Method | | Self cooling | | | Forced-air-cooling | | |

Three-phase 400 V class 3G3MX2-A4

| Model MX2 | | A4004 | A4007 | A4015 | A4022 | A4030 | A4040 | A4055 | A4075 | A4110 | A4150 |
|--------------------------|---------|--------------|-------|-------|--------------------|-------|-------|-------|-------|-------|-------|
| Inverter capacity kVA | 380V VT | 1.3 | 2.6 | 3.5 | 4.5 | 5.7 | 7.3 | 11.5 | 15.1 | 20.4 | 25.0 |
| | 380V CT | 1.1 | 2.2 | 3.1 | 3.6 | 4.7 | 6.0 | 9.7 | 11.8 | 15.7 | 20.4 |
| | 480V VT | 1.7 | 3.4 | 4.4 | 5.7 | 7.3 | 9.2 | 14.5 | 19.1 | 25.7 | 31.5 |
| | 480V CT | 1.4 | 2.8 | 3.9 | 4.5 | 5.9 | 7.6 | 12.3 | 14.9 | 19.9 | 25.7 |
| Rated current (A) VT | | 2.1 | 4.1 | 5.4 | 6.9 | 8.8 | 11.1 | 17.5 | 23.0 | 31.0 | 38.0 |
| Rated current (A) CT | | 1.8 | 3.4 | 4.8 | 5.5 | 7.2 | 9.2 | 14.8 | 18.0 | 24.0 | 31.0 |
| Total heat loss | | 35 | 56 | 96 | 116 | 125 | 167 | 229 | 296 | 411 | 528 |
| Efficiency at rated load | | 92 | 93 | 94 | 95 | 96 | 96 | 96 | 96.2 | 96.4 | 96.6 |
| Cooling Method | | Self cooling | | | Forced-air-cooling | | | | | | |

Input AC Reactor 3G3AX-RAI



| 3 phase 200 V class | | | | 400 V class | | | |
|---------------------------------|-------------------|-----------------|---------------|---------------------------------|-------------------|-----------------|---------------|
| Max. applicable motor output kW | Reference | Current value A | Inductance mH | Max. applicable motor output kW | Reference | Current value A | Inductance mH |
| 1.5 | AX-RAI02800080-DE | 8.0 | 2.8 | 1.5 | AX-RAI07700050-DE | 5.0 | 7.7 |
| 3.7 | AX-RAI00880200-DE | 20.0 | 0.88 | 4.0 | AX-RAI03500100-DE | 10.0 | 3.5 |
| 7.5 | AX-RAI00350335-DE | 33.5 | 0.35 | 7.5 | AX-RAI01300170-DE | 17.0 | 1.3 |
| 15 | AX-RAI00180670-DE | 67.0 | 0.18 | 15 | AX-RAI00740335-DE | 33.5 | 0.74 |

DC Reactor 3G3AX-RC



| 200 V class | | | | 400 V class | | | |
|---------------------------------|------------------|-----------------|---------------|---------------------------------|------------------|-----------------|---------------|
| Max. applicable motor output kW | Reference | Current value A | Inductance mH | Max. applicable motor output kW | Reference | Current value A | Inductance mH |
| 0.2 | AX-RC21400016-RE | 1.6 | 21.4 | 0.4 | AX-RC43000020-RE | 2.0 | 43.0 |
| 0.4 | AX-RC10700032-RE | 3.2 | 10.7 | 0.7 | AX-RC27000030-RE | 3.0 | 27.0 |
| 0.7 | AX-RC06750061-RE | 6.1 | 6.75 | 1.5 | AX-RC14000047-RE | 4.7 | 14.0 |
| 1.5 | AX-RC03510093-RE | 9.3 | 3.51 | 2.2 | AX-RC10100069-RE | 6.9 | 10.1 |
| 2.2 | AX-RC02510138-RE | 13.8 | 2.51 | 3.0 | AX-RC08250093-RE | 9.3 | 8.25 |
| 3.7 | AX-RC01600223-RE | 22.3 | 1.60 | 4.0 | AX-RC06400116-RE | 11.6 | 6.40 |
| 5.5 | AX-RC01110309-RE | 30.9 | 1.11 | 5.5 | AX-RC04410167-RE | 16.7 | 4.41 |
| 7.5 | AX-RC00840437-RE | 43.7 | 0.84 | 7.5 | AX-RC03350219-RE | 21.9 | 3.35 |
| 11.0 | AX-RC00590614-RE | 61.4 | 0.59 | 11.0 | AX-RC02330307-RE | 30.7 | 2.33 |
| 15.0 | AX-RC00440859-RE | 85.9 | 0.44 | 15.0 | AX-RC01750430-RE | 43.0 | 1.75 |

Output AC Reactor 3G3AX-RAO

| 200 V class | | | | 400 V class | | | |
|---------------------------------|-------------------|-----------------|---------------|---------------------------------|-------------------|-----------------|---------------|
| Max. applicable motor output kW | Reference | Current value A | Inductance mH | Max. applicable motor output kW | Reference | Current value A | Inductance mH |
| 0.4 | AX-RAO11500026-DE | 2.6 | 11.50 | 1.5 | AX-RAO16300038-DE | 3.8 | 16.30 |
| 0.75 | AX-RAO07600042-DE | 4.2 | 7.60 | | | | |
| 1.5 | AX-RAO04100075-DE | 7.5 | 4.10 | | | | |
| 2.2 | AX-RAO03000105-DE | 10.5 | 3.00 | 2.2 | AX-RAO11800053-DE | 5.3 | 11.80 |
| 3.7 | AX-RAO01830160-DE | 16.0 | 1.83 | 4.0 | AX-RAO07300080-DE | 8.0 | 7.30 |
| 5.5 | AX-RAO01150220-DE | 22.0 | 1.15 | 5.5 | AX-RAO04600110-DE | 11.0 | 4.60 |
| 7.5 | AX-RAO00950320-DE | 32.0 | 0.95 | 7.5 | AX-RAO03600160-DE | 16.0 | 3.60 |
| 11 | AX-RAO00630430-DE | 43.0 | 0.63 | 11 | AX-RAO02500220-DE | 22.0 | 2.50 |
| 15 | AX-RAO00490640-DE | 64.0 | 0.49 | 15 | AX-RAO02000320-DE | 32.0 | 2.00 |

Ordering information



3G3MX2

| Voltage class | Specifications | | | | Model |
|--------------------|-----------------|-----------------|-----------------|-----------------|----------------|
| | Constant torque | | Variable torque | | Standard |
| | Max motor kW | Rated current A | Max motor kW | Rated current A | |
| Single-phase 200 V | 0.1 | 1.0 | 0.2 | 1.2 | 3G3MX2-AB001-E |
| | 0.2 | 1.6 | 0.4 | 1.9 | 3G3MX2-AB002-E |
| | 0.4 | 3.0 | 0.55 | 3.5 | 3G3MX2-AB004-E |
| | 0.75 | 5.0 | 1.1 | 6.0 | 3G3MX2-AB007-E |
| | 1.5 | 8.0 | 2.2 | 9.6 | 3G3MX2-AB015-E |
| | 2.2 | 11.0 | 3.0 | 12.0 | 3G3MX2-AB022-E |
| Three-phase 200 V | 0.1 | 1.0 | 0.2 | 1.2 | 3G3MX2-A2001-E |
| | 0.2 | 1.6 | 0.4 | 1.9 | 3G3MX2-A2002-E |
| | 0.4 | 3.0 | 0.55 | 3.5 | 3G3MX2-A2004-E |
| | 0.75 | 5.0 | 1.1 | 6.0 | 3G3MX2-A2007-E |
| | 1.5 | 8.0 | 2.2 | 9.6 | 3G3MX2-A2015-E |
| | 2.2 | 11.0 | 3.0 | 12.0 | 3G3MX2-A2022-E |
| | 3.7 | 17.5 | 5.5 | 19.6 | 3G3MX2-A2037-E |
| | 5.5 | 25.0 | 7.5 | 30.0 | 3G3MX2-A2055-E |
| | 7.5 | 33.0 | 11 | 40.0 | 3G3MX2-A2075-E |
| | 15 | 60.0 | 18.5 | 69.0 | 3G3MX2-A2150-E |
| Three-phase 400 V | 0.4 | 1.8 | 0.75 | 2.1 | 3G3MX2-A4004-E |
| | 0.75 | 3.4 | 1.5 | 4.1 | 3G3MX2-A4007-E |
| | 1.5 | 4.8 | 2.2 | 5.4 | 3G3MX2-A4015-E |
| | 2.2 | 5.5 | 3.0 | 6.9 | 3G3MX2-A4022-E |
| | 3.0 | 7.2 | 4.0 | 8.8 | 3G3MX2-A4030-E |
| | 4.0 | 9.2 | 5.5 | 11.1 | 3G3MX2-A4040-E |
| | 5.5 | 14.8 | 7.5 | 17.5 | 3G3MX2-A4055-E |
| | 7.5 | 18.0 | 11 | 23.0 | 3G3MX2-A4075-E |
| | 11 | 24.0 | 15 | 31.0 | 3G3MX2-A4110-E |
| | 15 | 31.0 | 18.5 | 38.0 | 3G3MX2-A4150-E |

① Line filters

| Inverter | | Line filter Rasmi | |
|-----------------|-------------------------------|-------------------|-------------------|
| Voltage | Model MX2-□ | Reference | Rated current (A) |
| 1-Phase 200 VAC | AB001 / AB002 / AB004 | AX-FIM1010-RE | 10 |
| | AB007 | AX-FIM1014-RE | 14 |
| | AB015 / AB022 | AX-FIM1024-RE | 24 |
| 3-Phase 200 VAC | A2001 / A2002 / A2004 / A2007 | AX-FIM2010-RE | 10 |
| | A2015 / A2022 | AX-FIM2020-RE | 20 |
| | A2037 | AX-FIM2030-RE | 30 |
| | A2055 / A2075 | AX-FIM2060-RE | 60 |
| | A2110 | AX-FIM2080-RE | 80 |
| 3-Phase 400 VAC | A4004 / A4007 | AX-FIM3005-RE | 5 |
| | A4015 / A4022 / A4030 | AX-FIM3010-RE | 10 |
| | A4040 | AX-FIM3014-RE | 14 |
| | A4055 / A4075 | AX-FIM3030-RE | 23 |
| | A4110 / A4150 | AX-FIM3050-RE | 50 |

① Input AC Reactors

| Inverter | | AC Reactor |
|-----------------|-----------------------|-------------------|
| Voltage | Model MX2-□ | Reference |
| 3-Phase 200 VAC | A2002 / A2004 / A2007 | AX-RAI02800080-DE |
| | A2015 / A2022 / A2037 | AX-RAI00880200-DE |
| | A2055 / A2075 | AX-RAI00350335-DE |
| | A2110 / A2150 | AX-RAI00180670-DE |
| 1-Phase 200 VAC | AB002 / AB004 | Under development |
| | AB007 | |
| | AB015 / AB022 | |
| 3-Phase 400 VAC | A4004 / A4007 / A4015 | AX-RAI07700050-DE |
| | A4022 / A4030 / A4040 | AX-RAI03500100-DE |
| | A4055 / A4075 | AX-RAI01300170-DE |
| | A4110 / A4150 | AX-RAI00740335-DE |

① DC Reactors

| 200V single phase | | 200V 3-phase | | 400V 3-phase | |
|-------------------|------------------|--------------|------------------|--------------|------------------|
| Inverter | DC Reactor | Inverter | DC Reactor | Inverter | DC Reactor |
| MX2-AB001 | AX-RC10700032-RE | MX2-A2001 | AX-RC21400016-RE | MX2-A4004 | AX-RC43000020-RE |
| MX2-AB002 | | MX2-A2002 | | MX2-A4007 | AX-RC27000030-RE |
| MX2-AB004 | AX-RC06750061-RE | MX2-A2004 | AX-RC10700032-RE | MX2-A4015 | AX-RC14000047-RE |
| MX2-AB007 | AX-RC03510093-RE | MX2-A2007 | AX-RC06750061-RE | MX2-A4022 | AX-RC10100069-RE |
| MX2-AB015 | AX-RC02510138-RE | MX2-A2015 | AX-RC03510093-RE | MX2-A4030 | AX-RC08250093-RE |
| MX2-AB022 | AX-RC01600223-RE | MX2-A2022 | AX-RC02510138-RE | MX2-A4040 | AX-RC06400116-RE |
| | | MX2-A2037 | AX-RC01600223-RE | MX2-A4055 | AX-RC04410167-RE |
| | | MX2-A2055 | AX-RC01110309-RE | MX2-A4075 | AX-RC03350219-RE |
| | | MX2-A2075 | AX-RC00840437-RE | MX2-A4011 | AX-RC02330307-RE |
| | | MX2-A2011 | AX-RC00590614-RE | MX2-A4015 | AX-RC01750430-RE |
| | | MX2-A2015 | AX-RC00440859-RE | | - |

① Chokes

| Model | Diameter | Description |
|---------------|----------|----------------------------|
| AX-FEJ2102-RE | 21 | For 2.2 KW motors or below |
| AX-FEJ2515-RE | 25 | For 15 KW motors or below |
| AX-FEJ5045-RE | 50 | For 45 KW motors or below |

① Output AC Reactor

| Inverter | | AC Reactor |
|----------|--|-------------------|
| Voltage | Model MX2-□ | Reference |
| 200 VAC | A2001 / A2002 / A2004 AB001 / AB002 / AB004 | AX-RAO11500026-DE |
| | A2007/AB007 | AX-RAO07600042-DE |
| | A2015 / AB015 | AX-RAO04100075-DE |
| | A2022 / AB022 | AX-RAO03000105-DE |
| | A2037 | AX-RAO01830160-DE |
| | A2055 | AX-RAO01150220-DE |
| 400 VAC | A2075 | AX-RAO00950320-DE |
| | A4004 / A4007 / A4015 | AX-RAO16300038-DE |
| | A4022 | AX-RAO11800053-DE |
| | A4030 / A4040 | AX-RAO07300080-DE |
| | A4055 | AX-RAO04600110-DE |
| | A4075 | AX-RAO03600160-DE |

② Accessories

| Types | Model | Description | Functions |
|------------------|-------------------|------------------------|--|
| Digital operator | 3G3AX-OP05 | LCD remote operator | 5 Line LCD remote operator with copy function, cable length max. 3m. |
| | 3G3AX-CAJOP300-EE | Remote operator cable | 3 meters cable for connecting remote operator |
| Accessories | AX-PCUSB-E | PC configuration cable | Mini USB to USB connector cable |

③ Communication option boards

| Types | Model | Description | Functions |
|-----------------------|----------------|-----------------------------|--|
| Communication options | 3G3AX-MX2-PRT | Profibus option card | Used for running or stopping the inverter, setting or referencing parameters, and monitoring output frequency, output current, or similar items through Profibus communications with the host controller. Under development |
| | 3G3AX-MX2-DRT | DeviceNet option card | |
| | 3G3AX-MX2-ERT | EtherCAT option card | |
| | 3G3AX-MX2-CRT | CompoNet option card | |
| | 3G3AX-MX2-ML2 | Mechatrolink-II option card | |
| | 3G3AX-MX2-CORT | CanOpen option card | |

④ Braking unit, braking resistor unit

| Inverter | | | | Braking resistor unit | | | | | | | |
|-----------------------------|---------------|---------------|---------|-------------------------------|---|---------------|------------------|---|---------------|------------------|-----|
| Voltage | Max. motor kW | Inverter MX2□ | | Connectable min. resistance Ω | Inverter mounted type (3 %ED, 10 sec max) | | Braking torque % | Inverter mounted type (10%ED, 10 sec max) | | Braking torque % | |
| | | 3-phase | 1-phase | | Type AX- | Resist Ω | | Type AX- | Resist Ω | | |
| 200 V (single-/three-phase) | 0.12 | 2001 | B001 | 100 | REM00K1400-IE | 400 | 200 | REM00K1400-IE | 400 | 200 | |
| | 0.25 | 2002 | B002 | | 180 | REM00K1200-IE | 200 | 180 | REM00K1200-IE | 200 | 180 |
| | 0.55 | 2004 | B004 | | 100 | | | 100 | REM00K2070-IE | 70 | 200 |
| | 1.1 | 2007 | B007 | 50 | REM00K2070-IE | 70 | 140 | REM00K4075-IE | 75 | 130 | |
| | 1.5 | 2015 | B015 | | | | 90 | REM00K4035-IE | 35 | 180 | |
| | 2.2 | 2022 | B022 | 35 | REM00K4075-IE | 75 | 50 | REM00K6035-IE | 35 | 100 | |
| | 4.0 | 2037 | - | | | | 75 | REM00K9017-IE | 17 | 150 | |
| | 5.5 | 2055 | - | 20 | REM00K4035-IE | 35 | 55 | REM01K9017-IE | 17 | 110 | |
| | 7.5 | 2075 | - | | | | 40 | REM02K1017-IE | 17 | 75 | |
| | 11 | 2110 | - | 17 | REM00K6035-IE | 35 | 55 | REM03K5010-IE | 10 | 95 | |
| 15 | 2150 | - | 10 | REM00K9017-IE | 17 | 200 | REM00K1400-IE | 400 | 200 | | |
| 400 V (three-phase) | 0.55 | 4004 | - | 180 | REM00K1400-IE | 400 | 200 | REM00K1400-IE | 400 | 200 | |
| | 1.1 | 4007 | - | | 200 | REM00K1200-IE | 200 | 190 | REM00K2200-IE | 200 | 190 |
| | 1.5 | 4015 | - | | 130 | | | REM00K5120-IE | 120 | 200 | |
| | 2.2 | 4022 | - | 100 | REM00K2200-IE | 200 | 160 | REM00K6100-IE | 100 | 160 | |
| | 3.0 | 4030 | - | | 120 | REM00K2120-IE | 120 | | | 140 | |
| | 4.0 | 4040 | - | 70 | REM00K4075-IE | 75 | 140 | REM00K9070-IE | 70 | 150 | |
| | 5.5 | 4055 | - | | | | 100 | REM01K9070-IE | 70 | 110 | |
| | 7.5 | 4075 | - | 35 | REM00K6100-IE | 100 | 50 | REM02K1070-IE | 70 | 75 | |
| | 11 | 4110 | - | | | | 55 | REM03K5035-IE | 35 | 110 | |
| | 15 | 4150 | - | 35 | REM00K9070-IE | 70 | 55 | REM03K5035-IE | 35 | 110 | |

⑤ Computer software

| Types | Model | Description | Installation |
|----------|----------|-------------------|--|
| Software | CX-Drive | Computer software | Configuration and monitoring software tool |
| | CX-One | Computer software | Configuration and monitoring software tool |

ALL DIMENSIONS SHOWN ARE IN MILLIMETERS.
To convert millimeters into inches, multiply by 0.03937. To convert grams into ounces, multiply by 0.03527.

OMRON

OMRON ELECTRONICS LLC • THE AMERICAS HEADQUARTERS

OMRON CANADA, INC. • HEAD OFFICE

OMRON ARGENTINA • SALES OFFICE

OMRON ELETRÔNICA DO BRASIL LTDA • HEAD OFFICE

OMRON CHILE • SALES OFFICE

OMRON ELECTRONICS MEXICO SA DE CV • HEAD OFFICE

OTHER OMRON LATIN AMERICA SALES



Компания «ЭлектроПласт» предлагает заключение долгосрочных отношений при поставках импортных электронных компонентов на взаимовыгодных условиях!

Наши преимущества:

- Оперативные поставки широкого спектра электронных компонентов отечественного и импортного производства напрямую от производителей и с крупнейших мировых складов;
- Поставка более 17-ти миллионов наименований электронных компонентов;
- Поставка сложных, дефицитных, либо снятых с производства позиций;
- Оперативные сроки поставки под заказ (от 5 рабочих дней);
- Экспресс доставка в любую точку России;
- Техническая поддержка проекта, помощь в подборе аналогов, поставка прототипов;
- Система менеджмента качества сертифицирована по Международному стандарту ISO 9001;
- Лицензия ФСБ на осуществление работ с использованием сведений, составляющих государственную тайну;
- Поставка специализированных компонентов (Xilinx, Altera, Analog Devices, Intersil, Interpoint, Microsemi, Aeroflex, Peregrine, Syfer, Eurofarad, Texas Instrument, Miteq, Cobham, E2V, MA-COM, Hittite, Mini-Circuits, General Dynamics и др.);

Помимо этого, одним из направлений компании «ЭлектроПласт» является направление «Источники питания». Мы предлагаем Вам помощь Конструкторского отдела:

- Подбор оптимального решения, техническое обоснование при выборе компонента;
- Подбор аналогов;
- Консультации по применению компонента;
- Поставка образцов и прототипов;
- Техническая поддержка проекта;
- Защита от снятия компонента с производства.



Как с нами связаться

Телефон: 8 (812) 309 58 32 (многоканальный)

Факс: 8 (812) 320-02-42

Электронная почта: org@eplast1.ru

Адрес: 198099, г. Санкт-Петербург, ул. Калинина, дом 2, корпус 4, литера А.