

THIS DRAWING IS UNPUBLISHED.

RELEASED FOR PUBLICATION

SEP, 2005.

© COPYRIGHT 2005 By -

ALL RIGHTS RESERVED.

LOC	DIST
---	---

REVISIONS

REV	DESCRIPTION	DATE	DWN	APVD
R	REVISED PER ECR-11-006365	28MAR2011	A.L	S.Y

1 CONTACT COPLANALITY IS 0.1 MAX.
 THIS DIMENSION MEANS CENTER OF THE POCKET.
 M3 TAPPING + BVTP RECOMMENDED TORQUE: 68.6N (7Kgf) MAX.
 FINISH
 CONTACT: V μm MIN. Au PL. ON CONTACT AREA (V: SEE TABLE)
 0.03~0.1 μm Au PL. ON TERMINAL AREA
 Ni UNDER PL. ALL OVER
 SHELL: Sn PL. (MATTE) ALL OVER
 Ni UNDER PL. ALL OVER
 SCREW SIZE
 QTY PRINT ON THE LABEL. (EMBOSS PACKING)

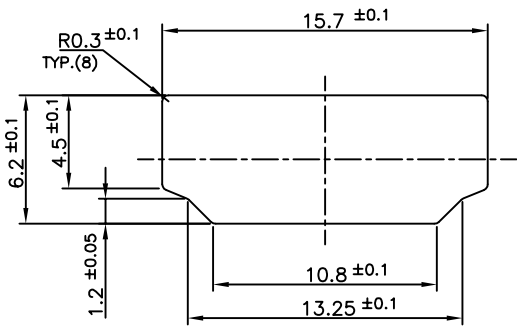
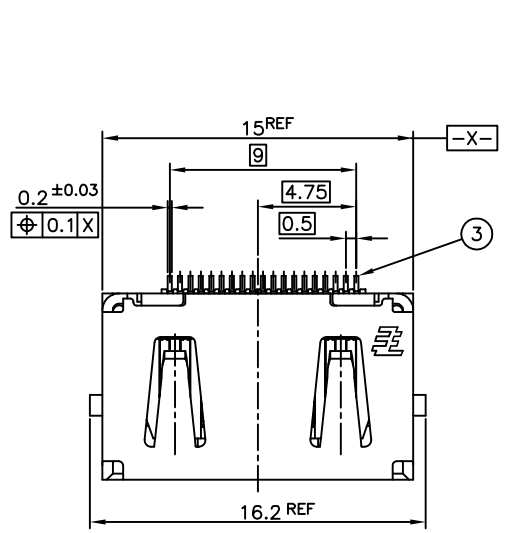
1 コンタクトコプラナリティは 0.1 以下。
 本寸法はポケットの中心を表す。
 M3 TAPPING + BVTP 推奨トルク: 68.6N (7Kgf) 以下。
 仕上
 コンタクト: コンタクトエリアに V μm 以上の 金めっき (V: 表参照)
 ターミナルエリアに 0.03~0.1 μm の 金めっき
 ニッケル下地めっきを施す
 シェル: すずめっき (つや消し)
 ニッケル下地めっきを施す
 スクリューサイズ
 数量はラベルに印字される (EMBOSS 梱包)

0.3	---	70	1.9	---	---	---	---	33.5	37.5	9.32	0.4	32	28.4	14.2	16	WITHOUT TAPE	WITHOUT FLANGE	THROUGH HOLE	(SEE SHEET 2)	SOFT TRAY (SEE SHEET 11)	6-1903015-3
0.76	M3 x 0.5	70	1.9	46	138	6-23	46	---	---	---	---	---	---	---	---	WITH TAPE	WITH FLANGE	THROUGH HOLE	(SEE SHEET 3)	SOFT TRAY (SEE SHEET 7)	9-1903015-4
0.3	M3 x 0.5	200	1.9	---	---	---	---	45.5	49.5	18.3	0.5	44	40.4	20.2	20	WITH TAPE	WITH FLANGE	THROUGH HOLE	(SEE SHEET 3)	EMBOSS (SEE SHEET 6)	9-1903015-3
0.3	M3 x 0.5	70	1.9	---	---	---	---	---	---	---	---	---	---	---	---	WITHOUT TAPE	WITH FLANGE	THROUGH HOLE	(SEE SHEET 3)	SOFT TRAY (SEE SHEET 10)	8-1903015-4
0.1	---	550	1.9	---	---	---	---	33.5	37.5	9.32	0.4	32	28.4	14.2	16	WITHOUT TAPE	WITHOUT FLANGE	THROUGH HOLE	(SEE SHEET 2)	EMBOSS (SEE SHEET 6)	7-1903015-1
0.3	M3 x 0.5	200	1.9	---	---	---	---	45.5	49.5	18.3	0.5	44	40.4	20.2	20	WITHOUT TAPE	WITH FLANGE	FULL SMT	(SEE SHEET 5)	EMBOSS (SEE SHEET 6)	5-1903015-9
0.3	---	550	0.8	---	---	---	---	33.5	37.5	9.32	0.4	32	28.4	14.2	16	WITHOUT TAPE	WITHOUT FLANGE	THROUGH HOLE	(SEE SHEET 2)	EMBOSS (SEE SHEET 6)	5-1903015-5
0.3	M3 x 0.5	70	1.9	46	138	6-23	46	---	---	---	---	---	---	---	---	WITHOUT TAPE	WITH FLANGE	THROUGH HOLE	(SEE SHEET 3)	SOFT TRAY (SEE SHEET 7)	5-1903015-4
0.3	M3 x 0.5	200	1.9	---	---	---	---	45.5	49.5	18.3	0.5	44	40.4	20.2	20	WITHOUT TAPE	WITH FLANGE	THROUGH HOLE	(SEE SHEET 3)	EMBOSS (SEE SHEET 6)	5-1903015-3
0.3	∅2.65±0.3	70	1.9	46	138	6-23	46	---	---	---	---	---	---	---	---	WITHOUT TAPE	WITH FLANGE	THROUGH HOLE	(SEE SHEET 3)	SOFT TRAY (SEE SHEET 7)	5-1903015-2
0.3	---	400	1.9	---	---	---	---	33.5	37.5	9.32	0.4	32	28.4	14.2	16	WITHOUT TAPE	WITHOUT FLANGE	THROUGH HOLE	(SEE SHEET 2)	EMBOSS (SEE SHEET 6)	5-1903015-1
0.3	M3 x 0.5	70	1.0	46	138	6-23	46	---	---	---	---	---	---	---	---	WITHOUT TAPE	WITH FLANGE	THROUGH HOLE	(SEE SHEET 3)	SOFT TRAY (SEE SHEET 7)	4-1903015-1
0.76	---	400	1.2	---	---	---	---	33.5	37.5	9.32	0.4	32	28.4	14.2	16	WITHOUT TAPE	WITHOUT FLANGE	THROUGH HOLE	(SEE SHEET 2)	EMBOSS (SEE SHEET 6)	2-1903015-2
0.76	M3 x 0.5	70	1.9	---	---	---	---	---	---	---	---	---	---	---	---	WITHOUT TAPE	WITH FLANGE	THROUGH HOLE	(SEE SHEET 3)	SOFT TRAY (SEE SHEET 9)	1903015-8
0.76	∅2.65±0.3	70	1.9	---	---	---	---	---	---	---	---	---	---	---	---	WITHOUT TAPE	WITH FLANGE	THROUGH HOLE	(SEE SHEET 3)	SOFT TRAY (SEE SHEET 9)	1903015-7
0.76	M3 x 0.5	50	1.9	54.4	120	4-30	54.4	---	---	---	---	---	---	---	---	WITHOUT TAPE	WITH FLANGE	THROUGH HOLE	(SEE SHEET 3)	SOFT TRAY (SEE SHEET 9)	1903015-5
0.76	M3 x 0.5	70	1.9	46	138	6-23	46	---	---	---	---	---	---	---	---	WITHOUT TAPE	WITH FLANGE	THROUGH HOLE	(SEE SHEET 4)	SOFT TRAY (SEE SHEET 8)	1903015-4
0.76	M3 x 0.5	200	1.9	---	---	---	---	45.5	49.5	18.3	0.5	44	40.4	20.2	20	WITHOUT TAPE	WITH FLANGE	THROUGH HOLE	(SEE SHEET 4)	EMBOSS (SEE SHEET 6)	1903015-3
0.76	∅2.65±0.3	70	1.9	46	138	6-23	46	---	---	---	---	---	---	---	---	WITHOUT TAPE	WITH FLANGE	THROUGH HOLE	(SEE SHEET 3)	SOFT TRAY (SEE SHEET 7)	1903015-2
0.76	---	400	1.9	---	---	---	---	33.5	37.5	9.32	0.4	32	28.4	14.2	16	WITHOUT TAPE	WITHOUT FLANGE	THROUGH HOLE	(SEE SHEET 2)	EMBOSS (SEE SHEET 6)	1903015-1
V	U	T	AA	S	R	P	N	M	L	K	J	H	G	F	E	POLYIMIDE TAPE	FLANGE	SHELL TYPE	CONNECTOR	PACKING	PART NUMBER

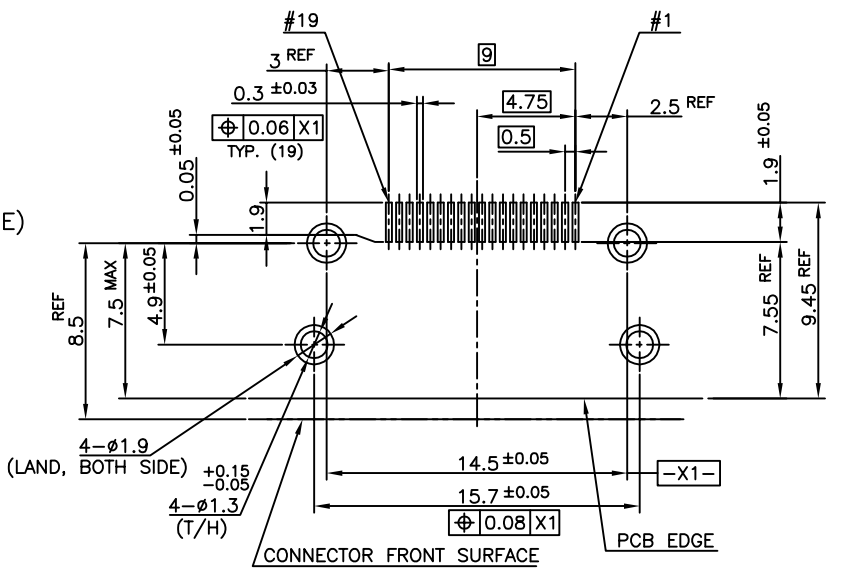
Au PL. SCREW SIZE QTY DIMENSION PART LIST

THIS DRAWING IS A CONTROLLED DOCUMENT.			DWN R.MURAYAMA 26SEP2005	TE Connectivity					
DIMENSIONS: 單位: 英 mm			CHK T.KIMURA 26SEP2005						
TOLERANCES UNLESS OTHERWISE SPECIFIED: 一般公差			APVD T.KIMURA 26SEP2005						
<table border="1"> <tr> <td>0 PLC ±</td> </tr> <tr> <td>1 PLC ±</td> </tr> <tr> <td>2 PLC ±</td> </tr> <tr> <td>3 PLC ±</td> </tr> <tr> <td>4 PLC ±</td> </tr> <tr> <td>ANGLES ±</td> </tr> </table>			0 PLC ±		1 PLC ±	2 PLC ±	3 PLC ±	4 PLC ±	ANGLES ±
0 PLC ±									
1 PLC ±									
2 PLC ±									
3 PLC ±									
4 PLC ±									
ANGLES ±									
MATERIAL 材料	FINISH 仕上	WEIGHT	SIZE A3	CAGE CODE 00779	DRAWING NO 番号 G=1903015	RESTRICTED TO			
CUSTOMER DRAWING			SCALE 尺度 4:1		SHEET 1 of 12	REV R			

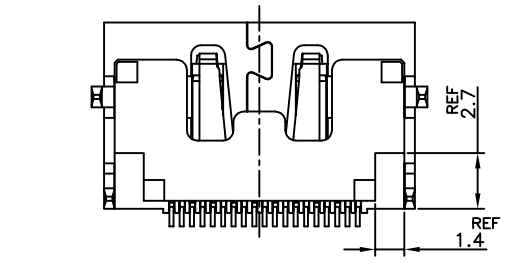
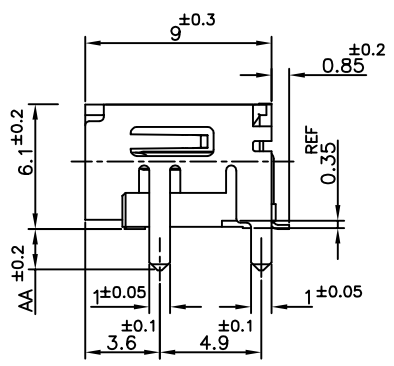
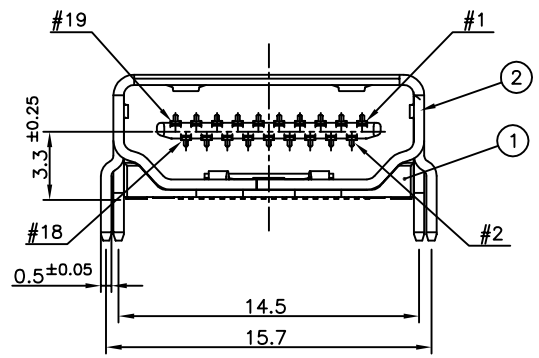
LOC	DIST	REVISIONS				
		P	LTR	DATE	DWN	APVD
		SEE SHEET 1				



PANEL CUT OUT DIMENSION (REFERENCE)



P.C.B LAYOUT (REFERENCE)
SHOWN AS CONNECTOR MOUNTING SIDE
TOLERANCE: NON-CUMULATIVE

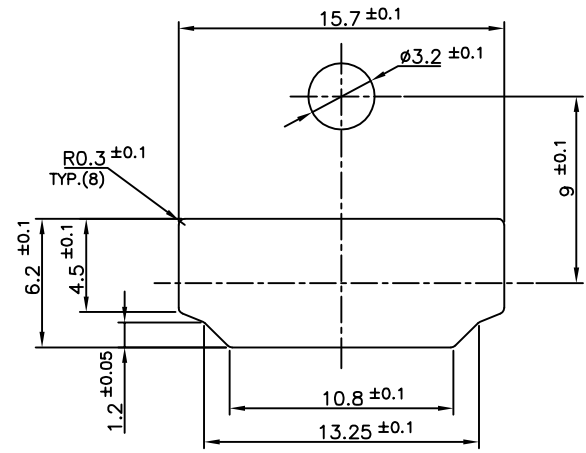
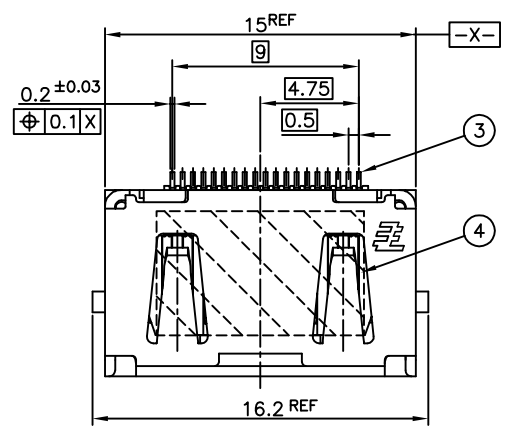


CONNECTOR: WITHOUT FLANGE THROUGH HOLE TYPE

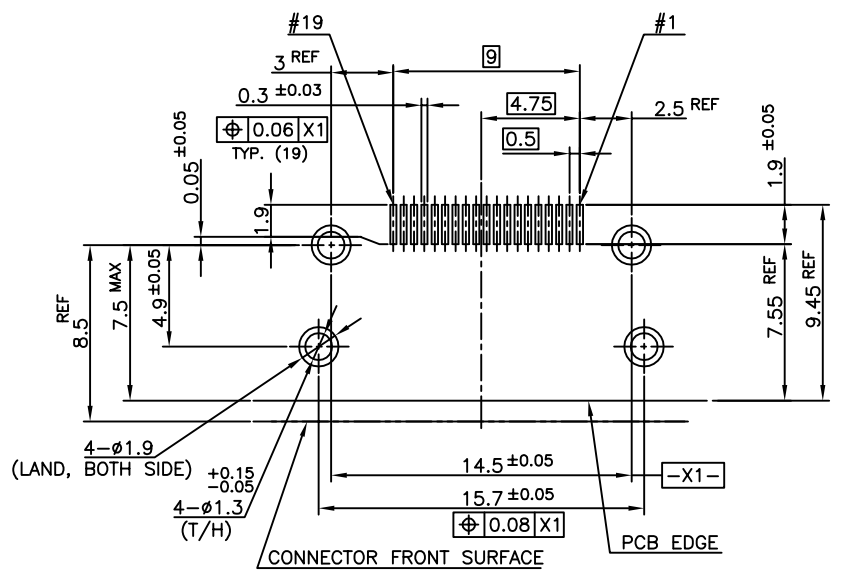
BRASS	CONTACT	(3)
PHOSPHOR BRONZE	SHELL	(2)
GLASS FILLED LCP UL94V-0, BLACK COLOR	HOUSING	(1)
MATERIAL	DESCRIPTION	ITEM

THIS DRAWING IS A CONTROLLED DOCUMENT.		DWN		
DIMENSIONS: 單位: 毫米 mm		CHK		
TOLERANCES UNLESS OTHERWISE SPECIFIED: 一般公差		APVD	NAME 名稱	
0 PLC ±		PRODUCT SPEC 製品規格	HDMI 19 POS RECEPTACLE ASSY SMT SHORT TYPE	
1 PLC ±		APPLICATION SPEC 取付適用規格	SIZE CAGE CODE DRAWING NO 圖號	
2 PLC ±		WEIGHT	A3 00779 C=1903015	
3 PLC ±		CUSTOMER DRAWING	RESTRICTED TO 限制	
4 PLC ±			SCALE 尺度 4:1 SHEET 2 OF 12 REV R	
ANGLES ±				
FINISH 仕上				

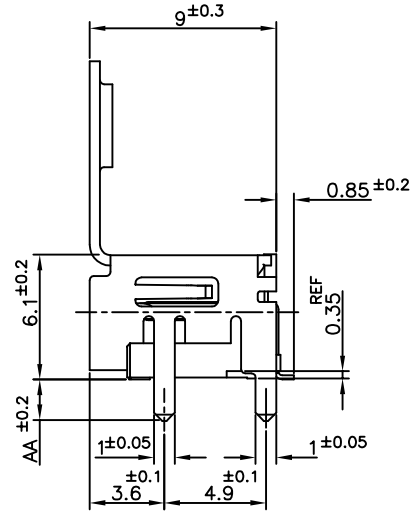
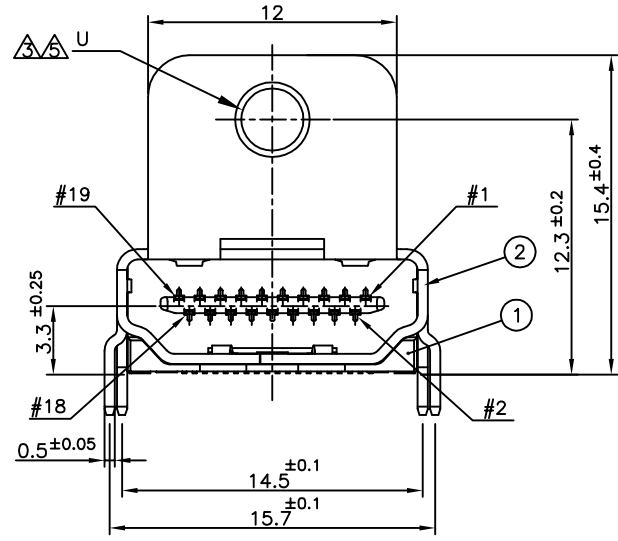
LOC	DIST	REVISIONS				
		P	LTR	DATE	DWN	APVD
		-	-	SEE SHEET 1	-	-



PANEL CUT OUT DIMENSION (REFERENCE)

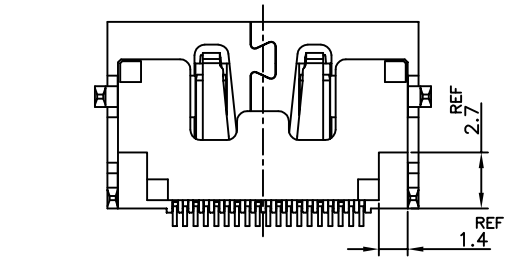


P.C.B LAYOUT (REFERENCE)
SHOWN AS CONNECTOR MOUNTING SIDE
TOLERANCE: NON-CUMULATIVE



CONNECTOR: WITH FLANGE THROUGH HOLE TYPE

MATERIAL	DESCRIPTION	ITEM
POLYIMIDE	TAPE	④
BRASS	CONTACT	③
PHOSPHOR BRONZE	SHELL	②
GLASS FILLED LCP UL94V-0, BLACK COLOR	HOUSING	①

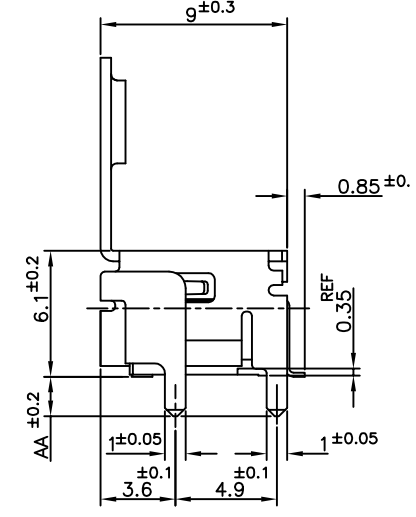
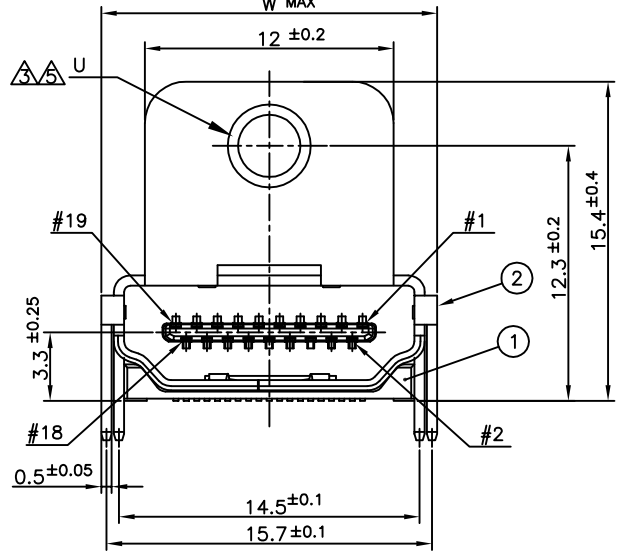
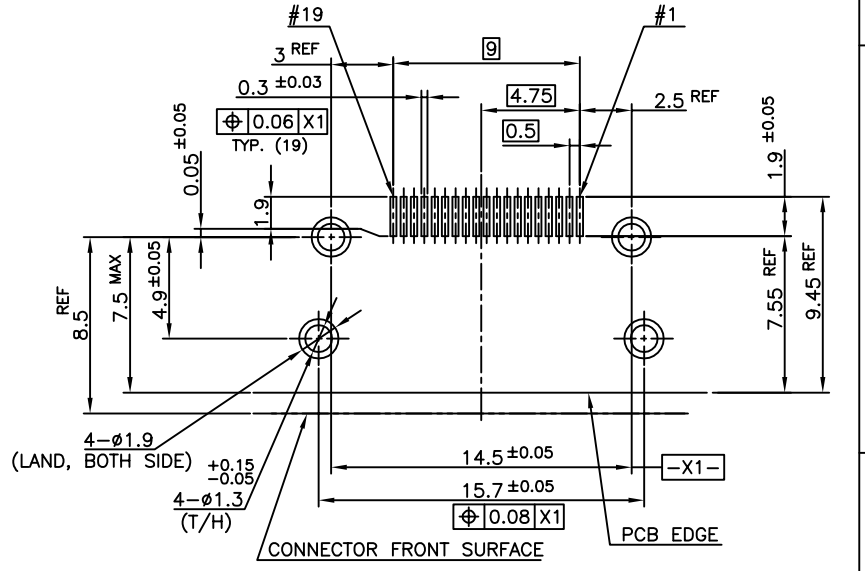
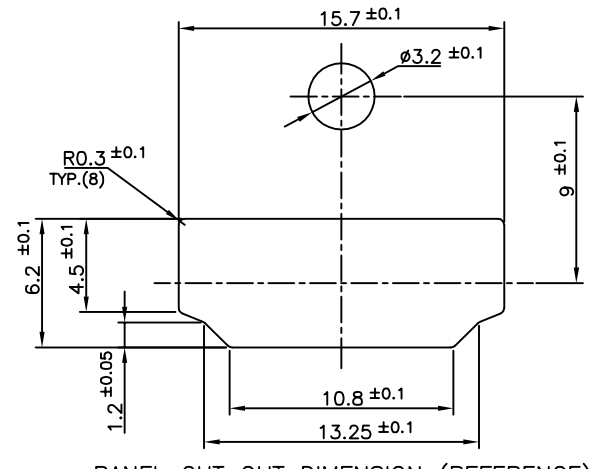
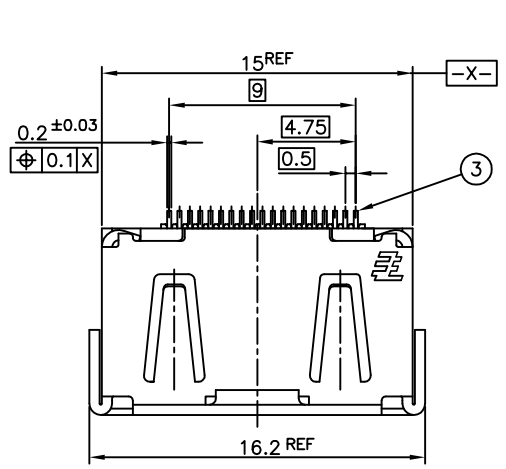


THIS DRAWING IS A CONTROLLED DOCUMENT.

DIMENSIONS: 單位: 毫米 mm	TOLERANCES UNLESS OTHERWISE SPECIFIED: 一般公差	DWN	TE Connectivity	
0 PLC ±	1 PLC ±	CHK	NAME 名稱	
2 PLC ±	3 PLC ±	APVD	HDMI 19 POS RECEPTACLE ASSY SMT SHORT TYPE	
4 PLC ±	ANGLES ±	PRODUCT SPEC 製品規格	SIZE	CAGE CODE
MATERIAL 材料	FINISH 仕上	APPLICATION SPEC 取付適用規格	A3	00779
		WEIGHT	DRAWING NO 番号	RESTRICTED TO
		CUSTOMER DRAWING	G=1903015	
			SCALE 尺度 4:1	SHEET 3 OF 12
				REV R

THIS DRAWING IS UNPUBLISHED. RELEASED FOR PUBLICATION SEP ,2005. ALL RIGHTS RESERVED.

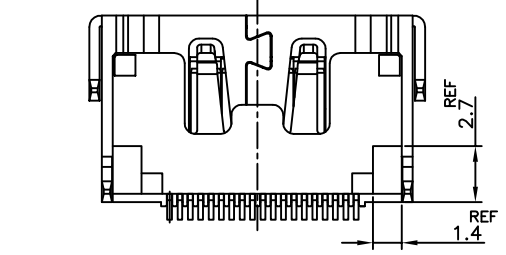
LOC		DIST		REVISIONS			DATE	DWN	APVD
				變更					
P	LTR	DESCRIPTION							
-	-	SEE SHEET 1			-	-	-	-	-



P.C.B LAYOUT (REFERENCE)
SHOWN AS CONNECTOR MOUNTING SIDE
TOLERANCE: NON-CUMULATIVE

POLYIMIDE	TAPE	(4)
BRASS	CONTACT	(3)
PHOSPHOR BRONZE	SHELL	(2)
GLASS FILLED LCP UL94V-0, BLACK COLOR	HOUSING	(1)
MATERIAL	DESCRIPTION	ITEM

CONNECTOR: WITH FLANGE THROUGH HOLE TYPE



THIS DRAWING IS A CONTROLLED DOCUMENT.

DIMENSIONS: 單位: 毫米 mm	TOLERANCES UNLESS OTHERWISE SPECIFIED: 一般公差	DWN	TE Connectivity				
	0 PLC ±	CHK	NAME 名稱				
	1 PLC ±	APVD	HDMI 19 POS RECEPTACLE ASSY				
	2 PLC ±	PRODUCT SPEC 製品規格	SMT SHORT TYPE				
	3 PLC ±	APPLICATION SPEC 取付適用規格	SIZE	CAGE CODE	DRAWING NO		
4 PLC ±	ANGLES ±	WEIGHT	A3	00779	G=1903015	RESTRICTED TO	
MATERIAL 材料	FINISH 仕上	CUSTOMER DRAWING	SCALE 尺度	4:1	SHEET 張	4 OF 12	REV R

THIS DRAWING IS UNPUBLISHED.

RELEASED FOR PUBLICATION

SEP ,2005.

© COPYRIGHT 2005 By -

ALL RIGHTS RESERVED.

LOC DIST

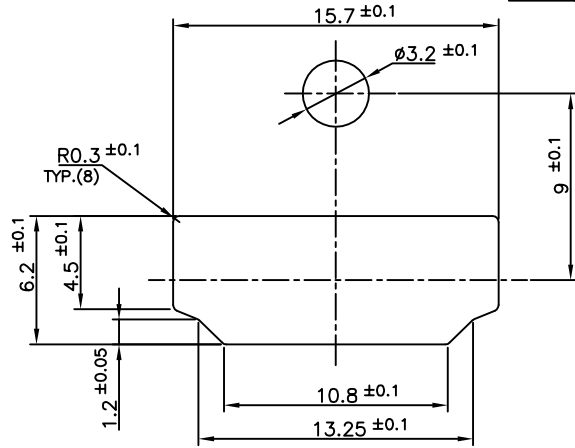
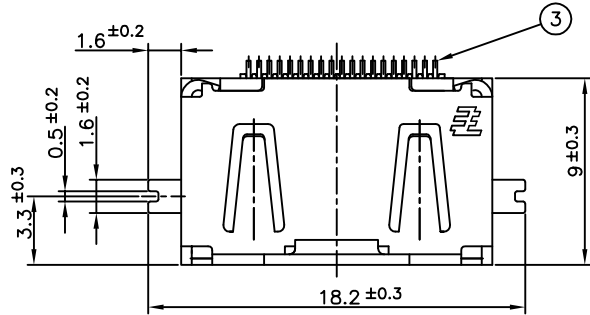
REVISIONS

変更

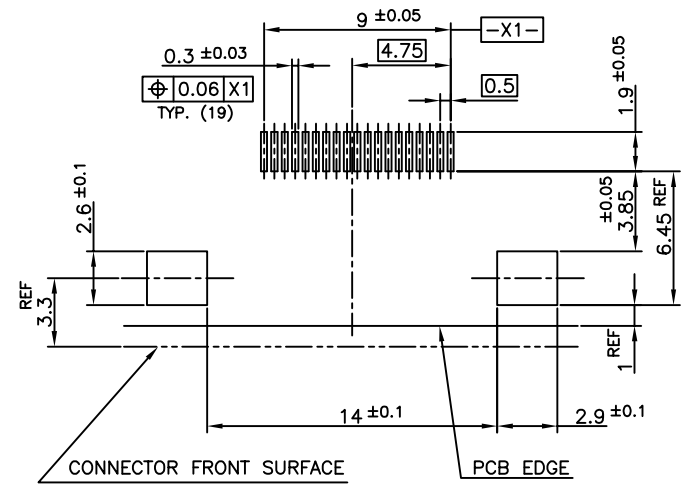
DESCRIPTION

DATE DWN APVD

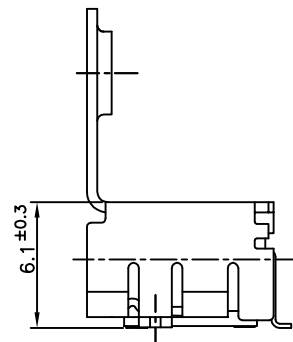
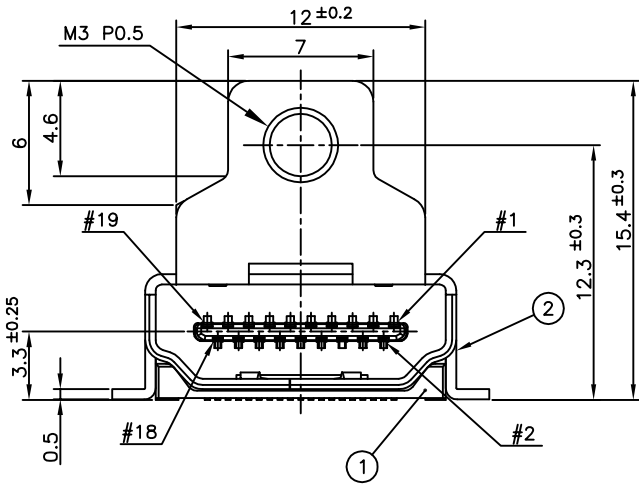
P	LTR	DESCRIPTION	DATE	DWN	APVD
-	-	SEE SHEET 1	-	-	-



PANEL CUT OUT DIMENSION (REFERENCE)

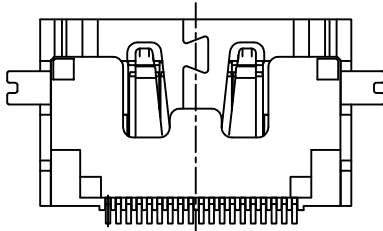


P.C.B LAYOUT (REFERENCE)
SHOWN AS CONNECTOR MOUNTING SIDE
TOLERANCE: NON-CUMULATIVE



CONNECTOR: WITH FLANGE FULL SMT TYPE

BRASS	CONTACT	③
PHOSPHOR BRONZE	SHELL	②
GLASS FILLED LCP UL94V-0, BLACK COLOR	HOUSING	①
MATERIAL	DESCRIPTION	ITEM



THIS DRAWING IS A CONTROLLED DOCUMENT.

DIMENSIONS: 單位: 毫米 mm	TOLERANCES UNLESS OTHERWISE SPECIFIED: 一般公差	DWN	CHK	APVD	NAME 名稱
	0 PLC ±	PRODUCT SPEC 製品規格	TE Connectivity HDMI 19 POS RECEPTACLE ASSY SMT SHORT TYPE		
	1 PLC ±	APPLICATION SPEC 取付適用規格			
MATERIAL 材料	FINISH 仕上	WEIGHT	CUSTOMER DRAWING	SIZE A3	CAGE CODE 00779
				DRAWING NO C=1903015	RESTRICTED TO
				SCALE 尺度 4:1	SHEET 5 of 12
					REV R

4

3

2

1

THIS DRAWING IS UNPUBLISHED.

RELEASED FOR PUBLICATION

SEP, 2005.

© COPYRIGHT 2005 By -

ALL RIGHTS RESERVED.

1903015-1, 2-1903015-2, 5-1903015-1
5-1903015-5, 7-1903015-1; AS SHOWN

LOC	DIST
-	-

REVISIONS

変更

DESCRIPTION

DATE

DWN

APVD

P

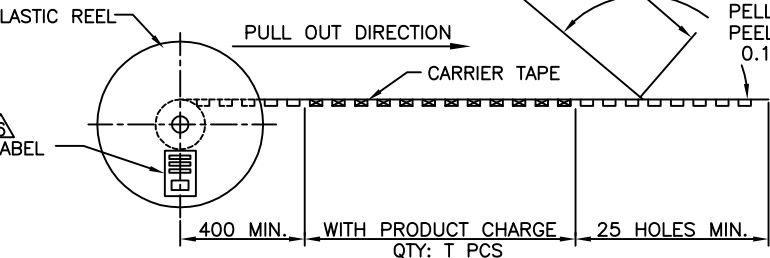
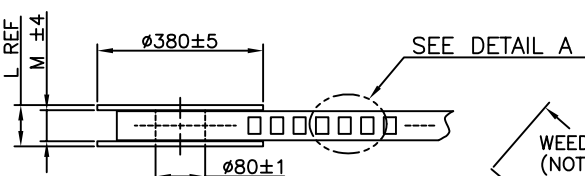
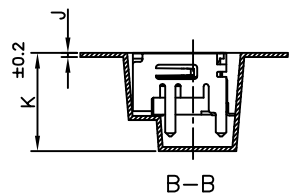
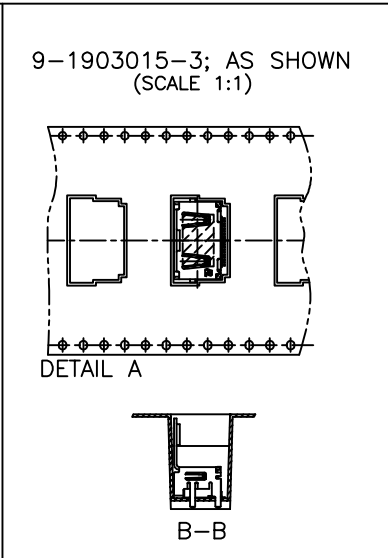
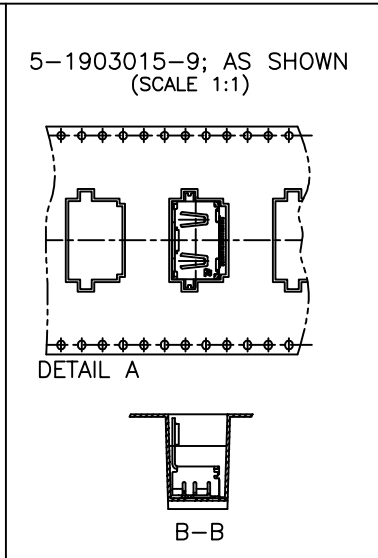
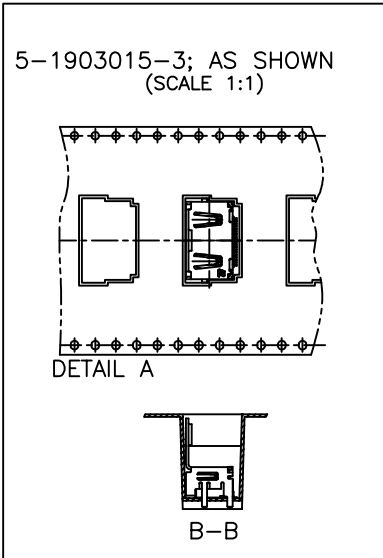
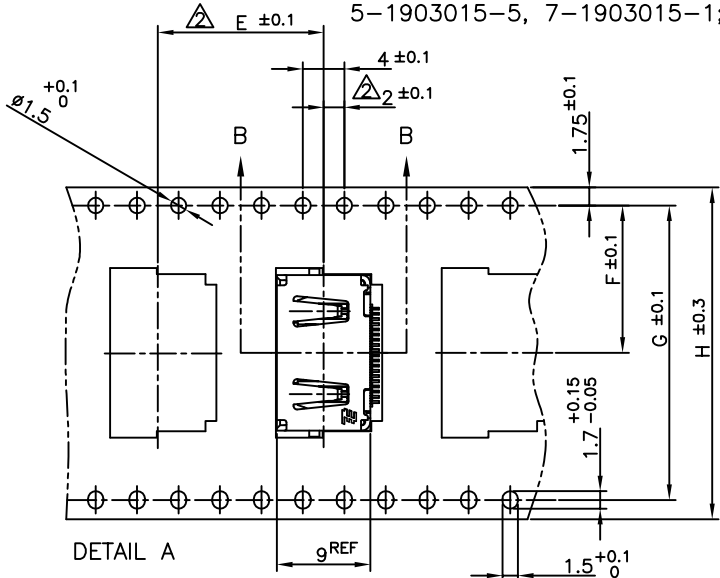
LTR

SEE SHEET 1

-

-

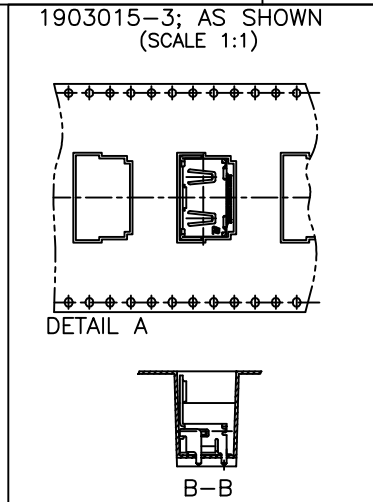
-



WEEDING THE COVER TAPE: 300 MIN (NOT INCLUDE EMPTINESS POCKET)
PELLING ANGLE: 165°~180°
PEELING STRENGTH: 0.1~0.7N (300mm/min.)

△ LABEL DESCRIPTION

TYCO P/N: *-1903015-*
QTY: * pcs
D/C: MADE IN CHINA



PET	COVER TAPE
PS	CARRIER TAPE
PLASTIC	REEL
MATERIAL	DESCRIPTION

THIS DRAWING IS A CONTROLLED DOCUMENT.

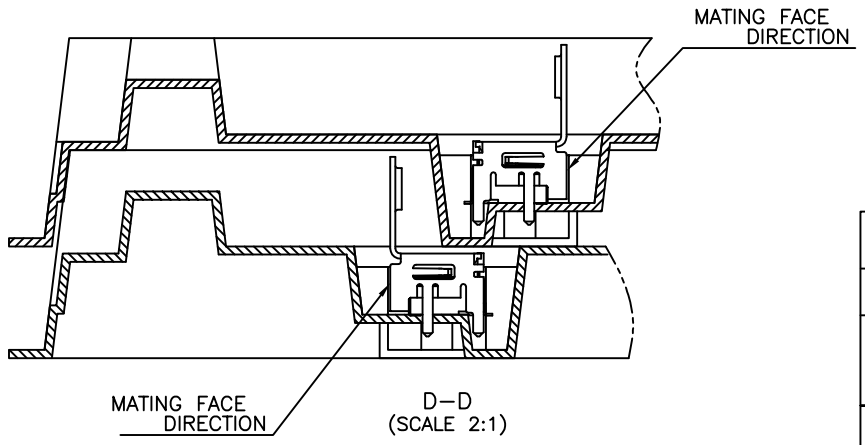
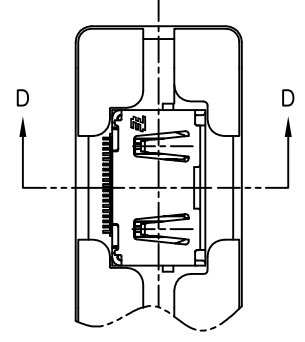
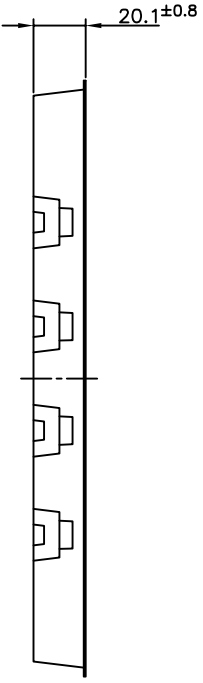
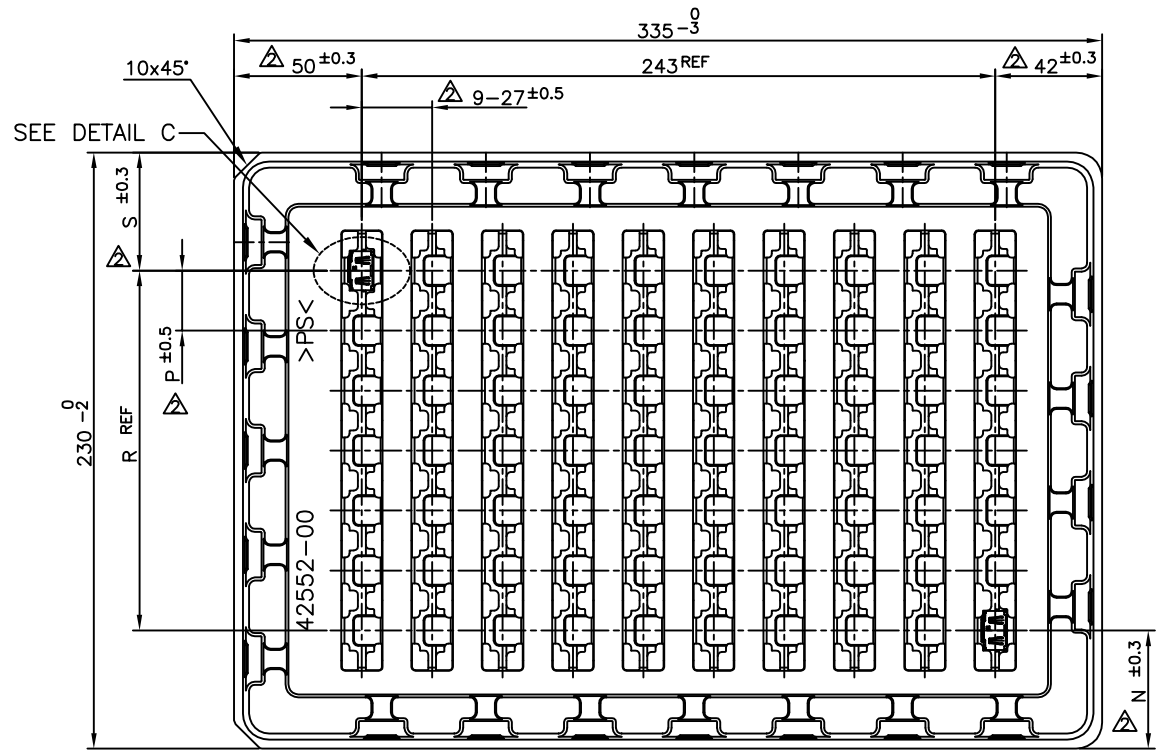
DIMENSIONS: 單位: 毫米 mm	TOLERANCES UNLESS OTHERWISE SPECIFIED: 一般公差	DWN	CHK	APVD	NAME 名稱
0 PLC ±	1 PLC ±	PRODUCT SPEC 製品規格	HDMI 19 POS RECEPTACLE ASSY SMT SHORT TYPE		
2 PLC ±	3 PLC ±	APPLICATION SPEC 取付適用規格	SIZE	CAGE CODE	DRAWING NO 番号
4 PLC ±	ANGLES ±	WEIGHT	A3	00779	G=1903015
MATERIAL 材料	FINISH 仕上	CUSTOMER DRAWING	SCALE 尺度	SHEET 6 of 12	REV R

RESTRICTED TO

THIS DRAWING IS UNPUBLISHED. RELEASED FOR PUBLICATION SEP, 2005. ALL RIGHTS RESERVED.

© COPYRIGHT 2005 By -
 1903015-2, 1903015-5, 4-1903015-1, 5-1903015-2, 5-1903015-4
 8-1903015-4, 9-1903015-4; AS SHOWN

LOC	DIST	REVISIONS					
		P	LTR	DESCRIPTION	DATE	DWN	APVD
		-		SEE SHEET 1	-	-	-



THIS DRAWING IS A CONTROLLED DOCUMENT.		DWN		TE Connectivity	
DIMENSIONS: 單位: 毫米 mm		CHK			
TOLERANCES UNLESS OTHERWISE SPECIFIED: 一般公差		APVD		NAME 名稱	
0 PLC ± 1 PLC ± 2 PLC ± 3 PLC ± 4 PLC ± ANGLES ±		PRODUCT SPEC 製品規格		HDMI 19 POS RECEPTACLE ASSY SMT SHORT TYPE	
MATERIAL 材料		FINISH 仕上		APPLICATION SPEC 取付適用規格	
		WEIGHT		SIZE CAGE CODE DRAWING NO 番号	
		CUSTOMER DRAWING		A3 00779 C=1903015	
		SCALE 尺度 4:1		RESTRICTED TO	
		SHEET 7 OF 12		REV R	

4

3

2

1

THIS DRAWING IS UNPUBLISHED.

RELEASED FOR PUBLICATION

SEP, 2005.

© COPYRIGHT 2005 By -

ALL RIGHTS RESERVED.

LOC

DIST

REVISIONS

変更

P

LTR

DESCRIPTION

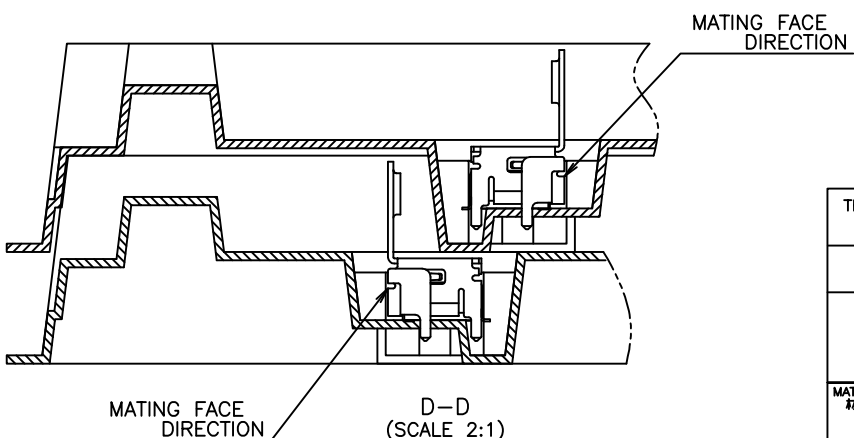
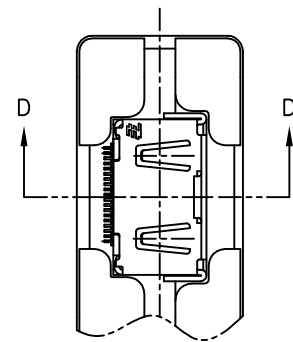
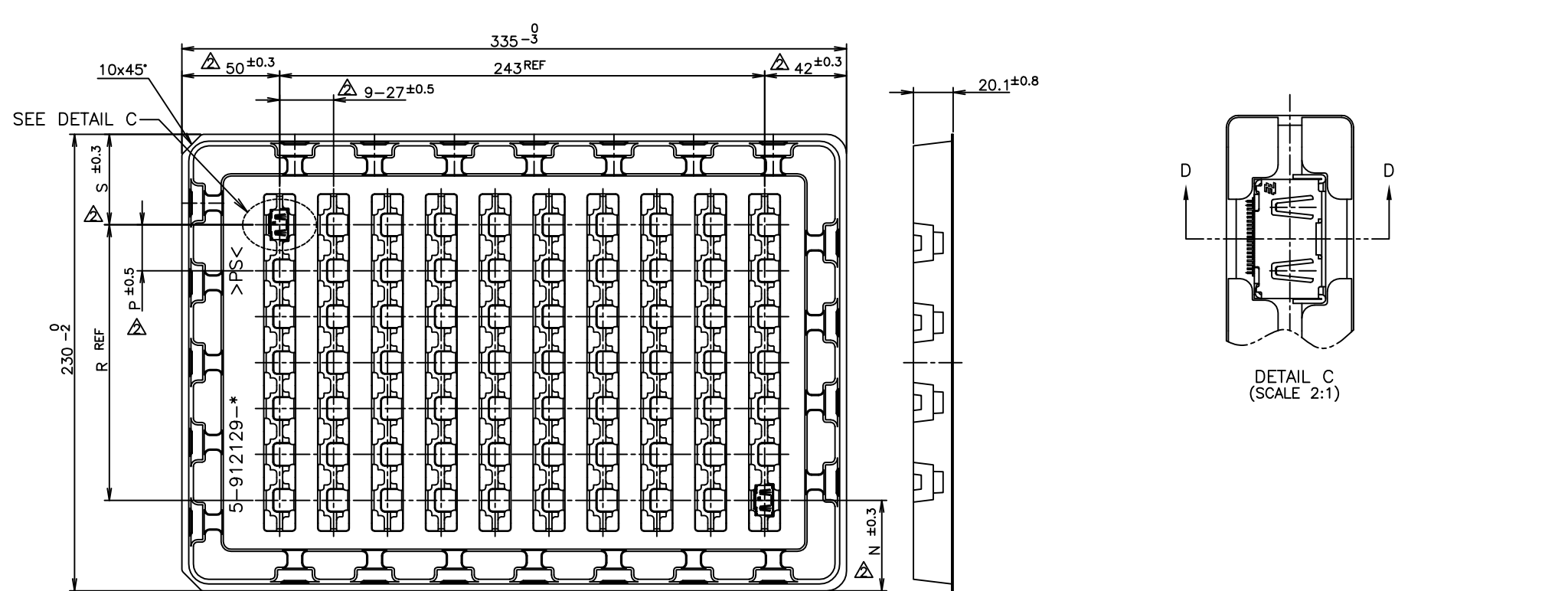
DATE

DWN

APVD

SEE SHEET 1

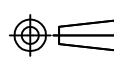
1903015-4; AS SHOWN



THIS DRAWING IS A CONTROLLED DOCUMENT.

DIMENSIONS: 單位: 毫米 mm

TOLERANCES UNLESS OTHERWISE SPECIFIED: 一般公差



- 0 PLC ±
- 1 PLC ±
- 2 PLC ±
- 3 PLC ±
- 4 PLC ±
- ANGLES ±

MATERIAL 材料

FINISH 仕上

CHK
APVD
PRODUCT SPEC 製品規格
APPLICATION SPEC 取付適用規格
WEIGHT
CUSTOMER DRAWING

PS	TRAY
MATERIAL	DESCRIPTION
TE TE Connectivity	
NAME 名称 HDMI 19 POS RECEPTACLE ASSY SMT SHORT TYPE	
SIZE A3	CAGE CODE 00779
DRAWING NO 番号 G=1903015	RESTRICTED TO
SCALE 尺度 4:1	SHEET 8 of 12
REV R	

THIS DRAWING IS UNPUBLISHED.

RELEASED FOR PUBLICATION

SEP, 2005.

© COPYRIGHT 2005 By -

ALL RIGHTS RESERVED.

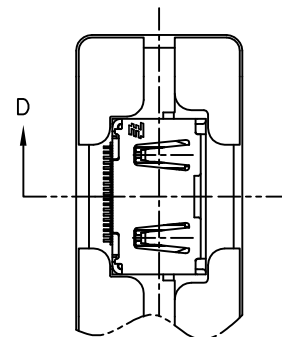
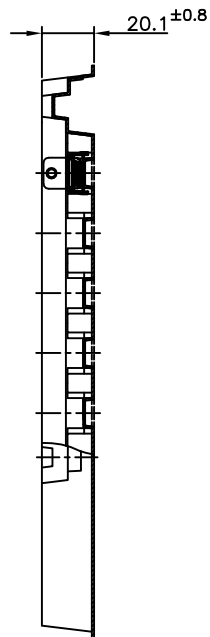
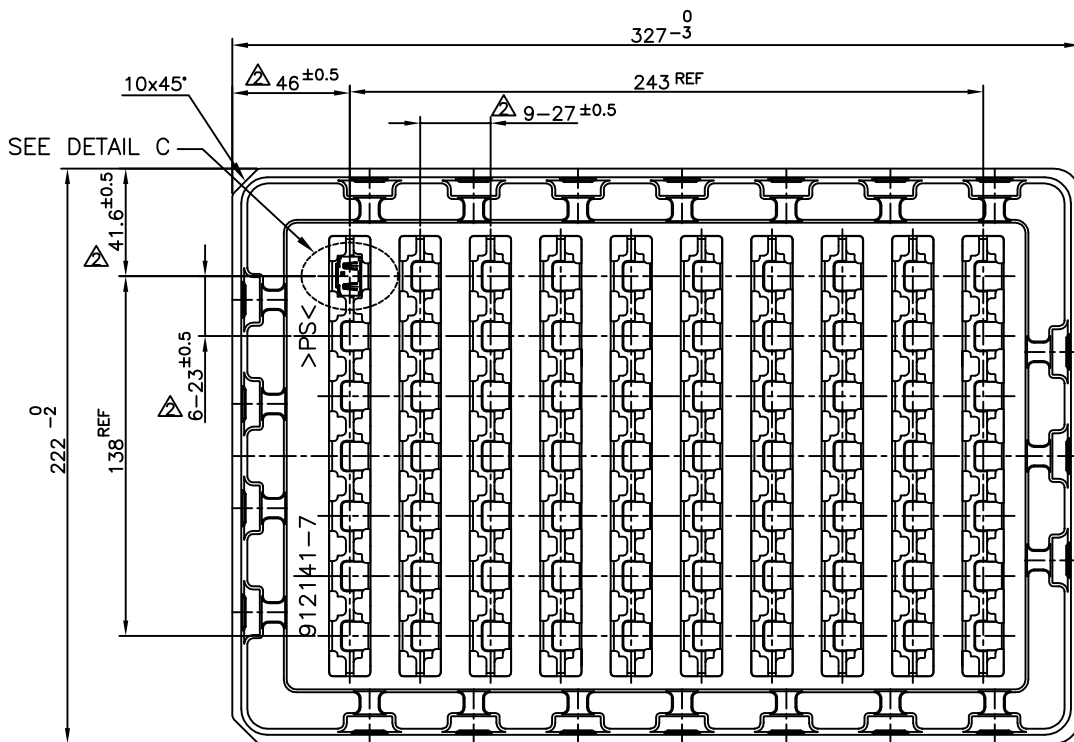
1903015-7, 1903015-8; AS SHOWN

LOC	DIST
-	-

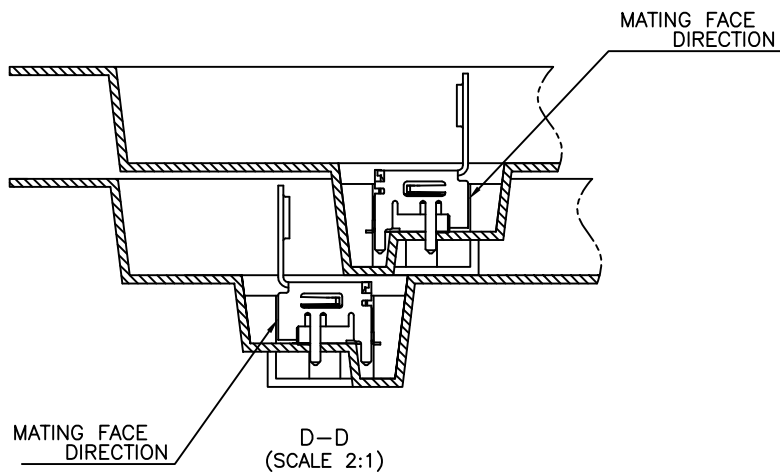
REVISIONS

変更

P	LTR	DESCRIPTION	DATE	DWN	APVD
-	-	SEE SHEET 1	-	-	-



DETAIL C (SCALE 2:1)



THIS DRAWING IS A CONTROLLED DOCUMENT.

DIMENSIONS:
單位: 毫米
mm



TOLERANCES UNLESS
OTHERWISE SPECIFIED:
一般公差

- 0 PLC ±
- 1 PLC ±
- 2 PLC ±
- 3 PLC ±
- 4 PLC ±
- ANGLES ±
- FINISH 仕上

MATERIAL
材料

DWN

CHK

APVD

PRODUCT SPEC
製品規格

APPLICATION SPEC
取付適用規格

WEIGHT

CUSTOMER DRAWING



TE Connectivity

NAME
名称

HDMI 19 POS RECEPTACLE ASSY
SMT SHORT TYPE

SIZE

CAGE CODE

DRAWING NO
番号

A3

00779

G=1903015

RESTRICTED TO

SCALE
尺度 4:1

SHEET

9 of 12

REV

R

THIS DRAWING IS UNPUBLISHED.

RELEASED FOR PUBLICATION

SEP, 2005.

ALL RIGHTS RESERVED.

© COPYRIGHT 2005 By -

LOC	DIST
-	-

REVISIONS

変更

DESCRIPTION

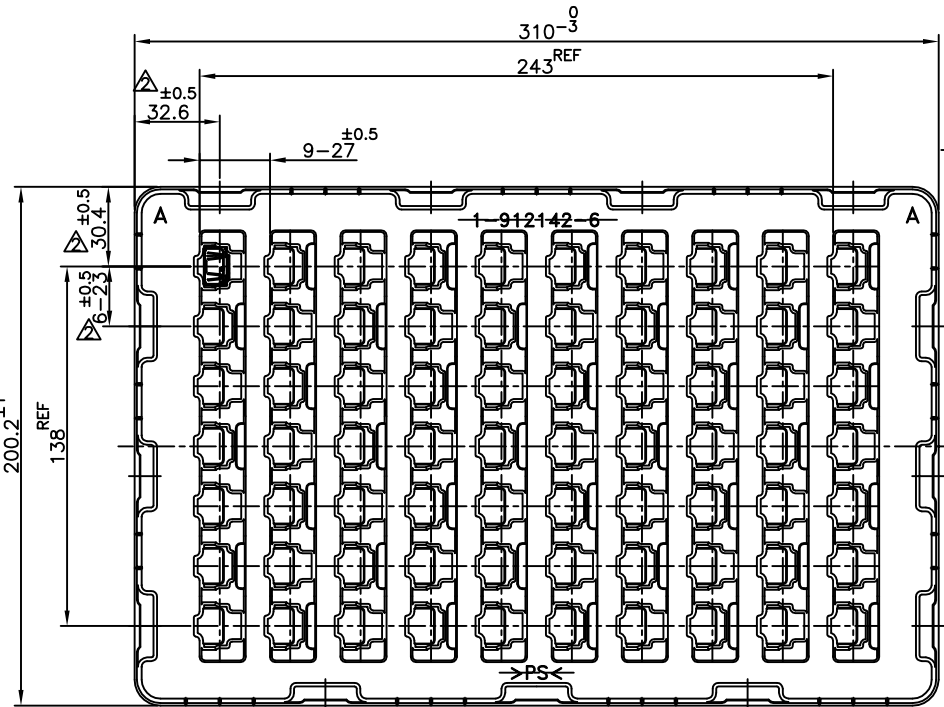
DATE

DWN

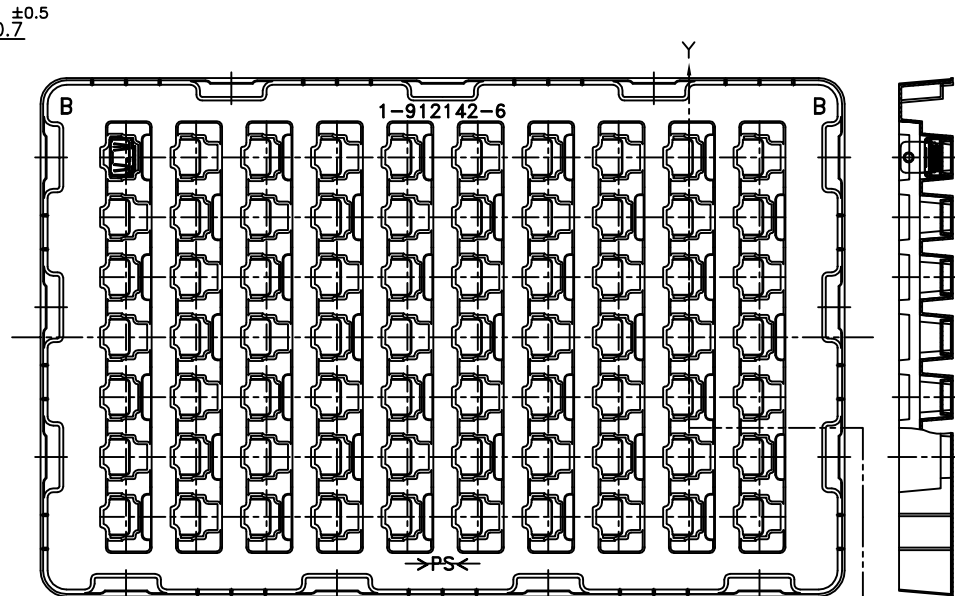
APVD

SEE SHEET 1

8-1903015-4; AS SHOWN

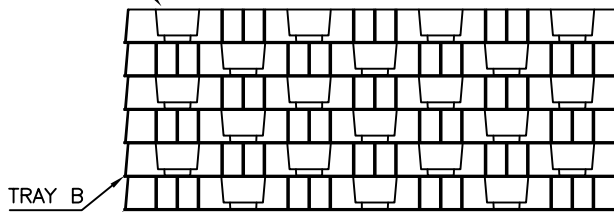


TRAY A



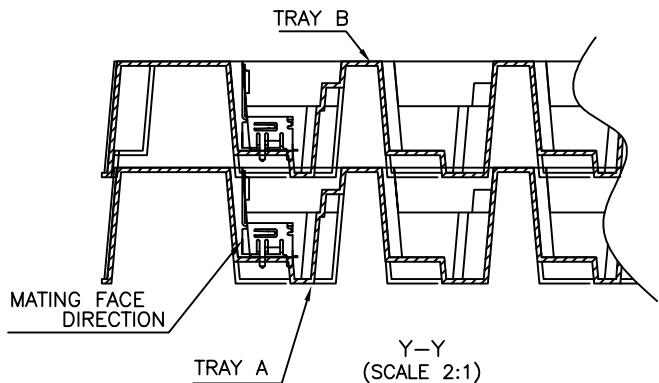
TRAY B

TRAY B (EMPTY)



TRAY B

TRAY A



MATING FACE DIRECTION

TRAY A

Y-Y (SCALE 2:1)

PS	TRAY
MATERIAL	DESCRIPTION

THIS DRAWING IS A CONTROLLED DOCUMENT.

DIMENSIONS: 單位: 話 mm	TOLERANCES UNLESS OTHERWISE SPECIFIED: 一般公差	DWN	TE Connectivity												
<table border="1"> <tr><td>0 PLC</td><td>±</td></tr> <tr><td>1 PLC</td><td>±</td></tr> <tr><td>2 PLC</td><td>±</td></tr> <tr><td>3 PLC</td><td>±</td></tr> <tr><td>4 PLC</td><td>±</td></tr> <tr><td>4 PLC ANGLES</td><td>±</td></tr> </table>	0 PLC	±		1 PLC	±	2 PLC	±	3 PLC	±	4 PLC	±	4 PLC ANGLES	±	FINISH 仕上	CHK
0 PLC	±														
1 PLC	±														
2 PLC	±														
3 PLC	±														
4 PLC	±														
4 PLC ANGLES	±														
MATERIAL 材料		APVD	HDMI 19 POS RECEPTACLE ASSY SMT SHORT TYPE												
		PRODUCT SPEC 製品規格	SIZE CAGE CODE DRAWING NO A3 00779 C=1903015												
		APPLICATION SPEC 取付適用規格	RESTRICTED TO 番号												
		WEIGHT	SCALE 尺度 4:1												
		CUSTOMER DRAWING	SHEET 10 OF 12												
			REV R												

4

3

2

1

THIS DRAWING IS UNPUBLISHED.

RELEASED FOR PUBLICATION

SEP ,2005.

© COPYRIGHT 2005 By -

ALL RIGHTS RESERVED.

LOC

DIST

REVISIONS

変更

P

LTR

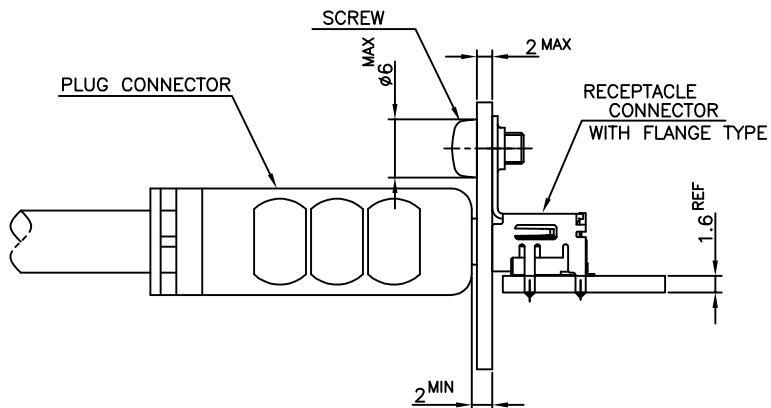
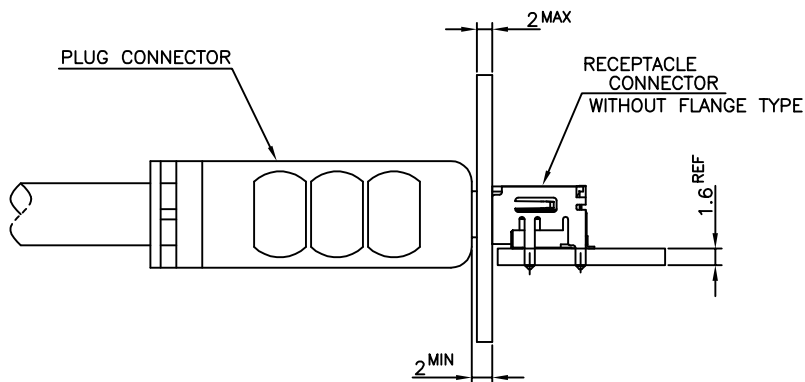
DESCRIPTION

DATE

DWN

APVD

SEE SHEET 1



MATING CONDITION (REFERENCE)
(SCALE 2:1)

THIS DRAWING IS A CONTROLLED DOCUMENT.

DIMENSIONS:
單位: 毫米
mm

TOLERANCES UNLESS
OTHERWISE SPECIFIED:
一般公差

- 0 PLC ±
- 1 PLC ±
- 2 PLC ±
- 3 PLC ±
- 4 PLC ±
- ANGLES ±

MATERIAL
材料

FINISH
仕上

DWN

CHK

APVD

PRODUCT SPEC
製品規格

APPLICATION SPEC
取付適用規格

WEIGHT

CUSTOMER DRAWING



TE Connectivity

NAME
名称

HDMI 19 POS RECEPTACLE ASSY
SMT SHORT TYPE

SIZE

CAGE CODE

DRAWING NO
番号

RESTRICTED TO

A3

00779

G=1903015

SCALE
尺度 4:1

SHEET

11 OF 12

REV

R

THIS DRAWING IS PUBLISHED.

NOT BASED FOR PUBLICATION

SEP., 2005.

© COPYRIGHT 2005. By -

ALL RIGHTS RESERVED.

LOC

DIST

REV

DATE

DWN

APVD

P

LTR

DESCRIPTION

DATE

DWN

APVD

SEE SHEET 1

P/N:6-1903015-3

D

D

C

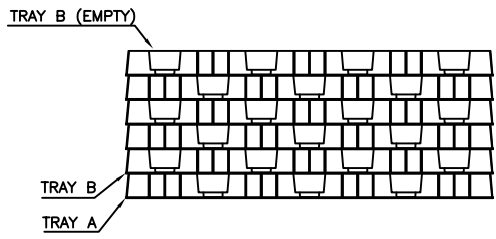
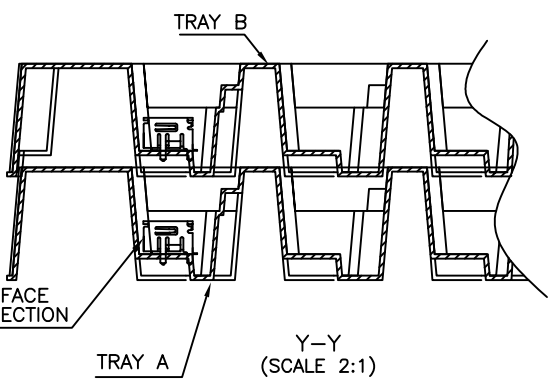
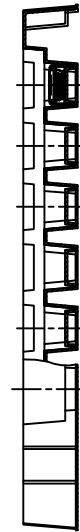
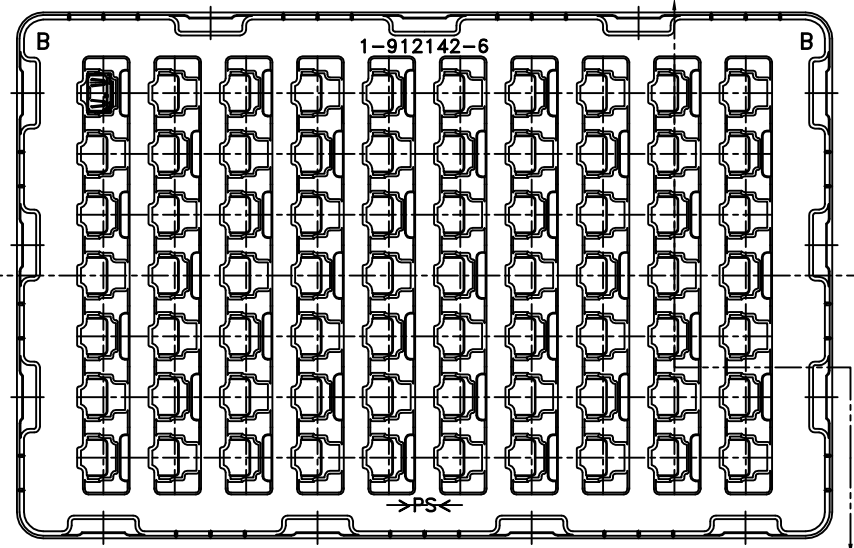
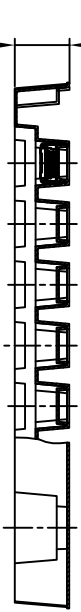
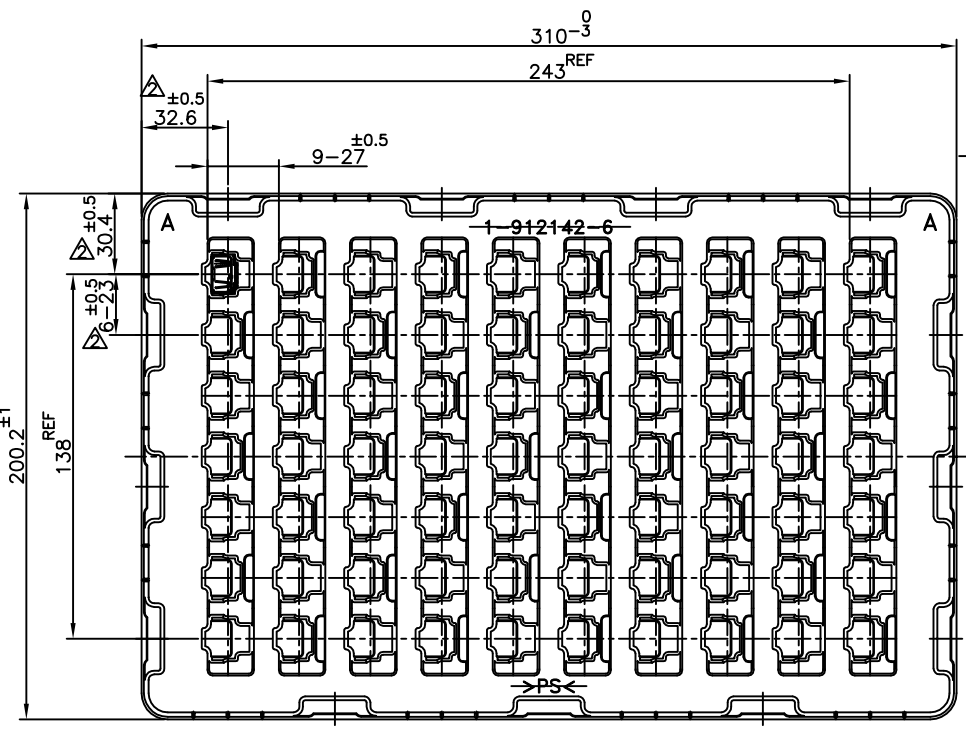
C

B

B

A

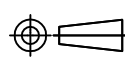
A



THIS DRAWING IS A CONTROLLED DOCUMENT.

DIMENSIONS: 單位: 毫米 mm

TOLERANCES UNLESS OTHERWISE SPECIFIED: 一般公差



- 0 PLC ±
- 1 PLC ±
- 2 PLC ±
- 3 PLC ±
- 4 PLC ±
- ANGLES ±
- FINISH 仕上

MATERIAL 材料

DWN
CHK
APVD
PRODUCT SPEC 製品規格
APPLICATION SPEC 取付適用規格
WEIGHT
CUSTOMER DRAWING

NAME 名稱		TE Connectivity	
HDMI 19 POS RECEPTACLE ASSY		SMT SHORT TYPE	
SIZE	CAGE CODE	DRAWING NO 番号	RESTRICTED TO
A3	00779	C-1903015	-

PS	TRAY
MATERIAL	DESCRIPTION

SCALE 尺度	4:1	SHEET	12 OF 12	REV	R
----------	-----	-------	----------	-----	---



Компания «ЭлектроПласт» предлагает заключение долгосрочных отношений при поставках импортных электронных компонентов на взаимовыгодных условиях!

Наши преимущества:

- Оперативные поставки широкого спектра электронных компонентов отечественного и импортного производства напрямую от производителей и с крупнейших мировых складов;
- Поставка более 17-ти миллионов наименований электронных компонентов;
- Поставка сложных, дефицитных, либо снятых с производства позиций;
- Оперативные сроки поставки под заказ (от 5 рабочих дней);
- Экспресс доставка в любую точку России;
- Техническая поддержка проекта, помощь в подборе аналогов, поставка прототипов;
- Система менеджмента качества сертифицирована по Международному стандарту ISO 9001;
- Лицензия ФСБ на осуществление работ с использованием сведений, составляющих государственную тайну;
- Поставка специализированных компонентов (Xilinx, Altera, Analog Devices, Intersil, Interpoint, Microsemi, Aeroflex, Peregrine, Syfer, Eurofarad, Texas Instrument, Miteq, Cobham, E2V, MA-COM, Hittite, Mini-Circuits, General Dynamics и др.);

Помимо этого, одним из направлений компании «ЭлектроПласт» является направление «Источники питания». Мы предлагаем Вам помощь Конструкторского отдела:

- Подбор оптимального решения, техническое обоснование при выборе компонента;
- Подбор аналогов;
- Консультации по применению компонента;
- Поставка образцов и прототипов;
- Техническая поддержка проекта;
- Защита от снятия компонента с производства.



Как с нами связаться

Телефон: 8 (812) 309 58 32 (многоканальный)

Факс: 8 (812) 320-02-42

Электронная почта: org@eplast1.ru

Адрес: 198099, г. Санкт-Петербург, ул. Калинина, дом 2, корпус 4, литера А.