

PLEASE CHECK WWW.MOLEX.COM FOR LATEST PART INFORMATION

Part Number: [0527932970](#)
Status: **Active**
Overview:
Description: 1.00mm (.039") Pitch Right Angle, SMT, Non-ZIF, Top Contact Style, 29 Circuits, Lead-free

Agency Certification

CSA LR19980
 UL E29179

General

Product Family FFC/FPC Connectors
 Series 52793
 Overview ffc_fpc_smt
 Product Name N/A

Physical

Circuits (Loaded) 29
 Contact Position Top
 Durability (mating cycles max) 10
 Entry Angle 90° Angle
 Flammability 94V-0
 Mated Height (in) 0.122 In
 Mated Height (mm) 3.10 mm
 Material - Metal Phosphor Bronze
 Material - Plating Mating Tin-Bismuth
 Material - Plating Termination Tin-Bismuth
 Number of Rows 1
 Orientation Right Angle
 PCB Locator No
 PCB Retention Yes
 Packaging Type Embossed Tape on Reel
 Pitch - Mating Interface (in) 0.039 In
 Pitch - Mating Interface (mm) 1.00 mm
 Plating min: Mating (µin) 40
 Plating min: Mating (µm) 1
 Plating min: Termination (µin) 40
 Plating min: Termination (µm) 1
 Polarized to PCB No
 Stackable No
 Temperature Range - Operating -20°C to +85°C
 Termination Interface: Style Surface Mount
 Wire/Cable Type FFC/FPC

Electrical

Current - Maximum per Contact 0.5A
 Voltage - Maximum 50V

Material Info

Reference - Drawing Numbers

Packaging Specification SPK-52793-001
 Product Specification PS-52793-014, RPS-52793-010, RPS-52793-016,
 RPS-52793-018, RPS-52793-019, RPS-52793-020,
 RPS-52793-021, RPS-52793-024
 Sales Drawing SD-52793-011, SD-52793-012

EU RoHS

**ELV and RoHS
 Compliant
 REACH SVHC
 Contains SVHC: No
 Halogen-Free
 Status
 Not Reviewed**

China RoHS



Need more information on product environmental compliance?

Email productcompliance@molex.com
 For a multiple part number RoHS Certificate of Compliance, [click here](#)

Please visit the [Contact Us](#) section for any non-product compliance questions.

Search Parts in this Series
[52793Series](#)

This document was generated on 06/05/2010

PLEASE CHECK WWW.MOLEX.COM FOR LATEST PART INFORMATION

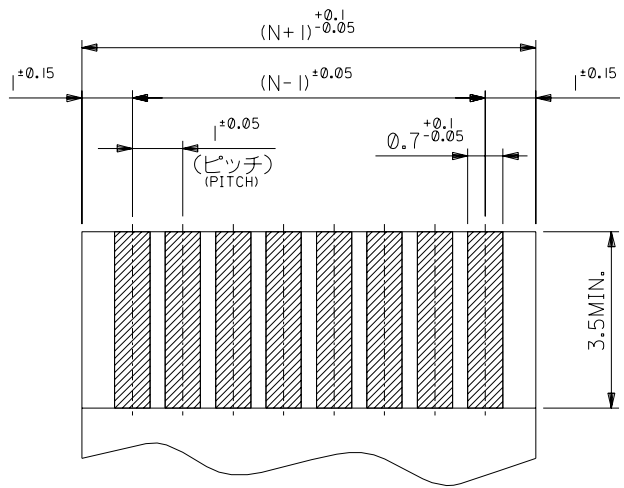
DWG. NO. SD-52793-011



33.8	31.05	29	52793-3019	30
32.8	30.05	28	-2919	29
31.8	29.05	27	-2819	28
30.8	28.05	26	-2719	27
29.8	27.05	25	-2619	26
28.8	26.05	24	-2519	25
27.8	25.05	23	-2419	24
26.8	24.05	22	-2319	23
25.8	23.05	21	-2219	22
24.8	22.05	20	-2119	21
23.8	21.05	19	-2019	20
22.8	20.05	18	-1919	19
21.8	19.05	17	-1819	18
20.8	18.05	16	-1719	17
19.8	17.05	15	-1619	16
18.8	16.05	14	-1519	15
17.8	15.05	13	-1419	14
16.8	14.05	12	-1319	13
15.8	13.05	11	-1219	12
14.8	12.05	10	-1119	11
13.8	11.05	9	-1019	10
12.8	10.05	8	-0919	9
11.8	9.05	7	-0819	8
10.8	8.05	6	-0719	7
9.8	7.05	5	-0619	6
8.8	6.05	4	-0519	5
7.8	5.05	3	-0419	4
6.8	4.05	2	52793-0319	3
C	B	A	MATERIAL NO	極数 CIRCUIT

DO NOT SCALE DRAWING

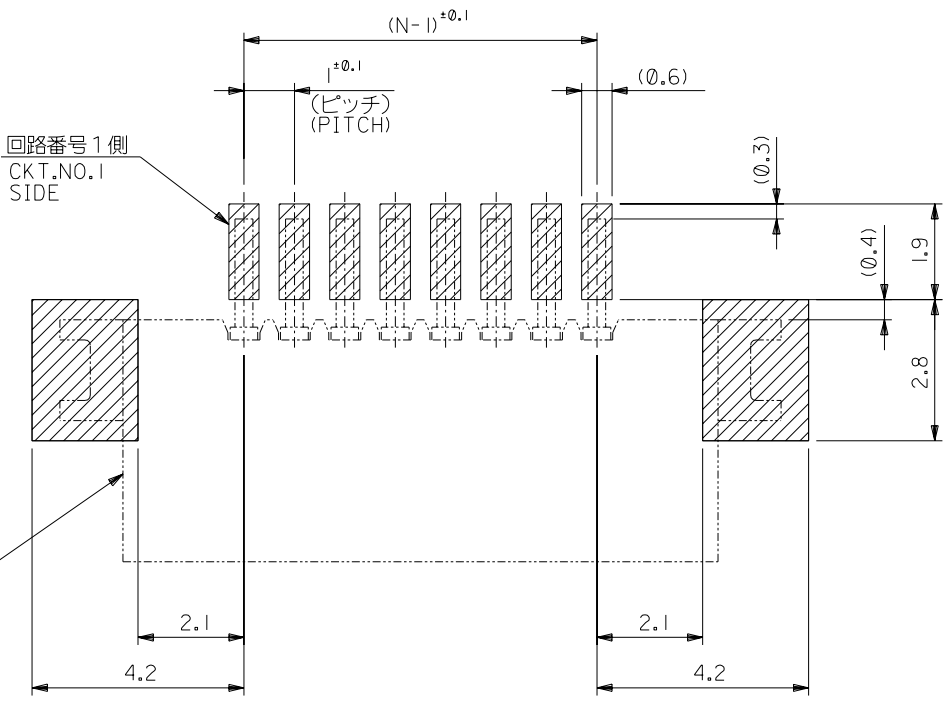
EC NO. DRWN: CHK: APPR:	EC NO. DRWN: CHK: APPR:	EC NO. DRWN: CHK: APPR:	EC NO. DRWN: CHK: APPR:	EC NO. 02004-1419 DRWN: H.KAWABATA '03/12/09 CHK: K.TOJO '03/12/09 APPR: H. Sasaki '03/12/09 RELEASED	MATERIAL 材料 注記参照 SEE NOTES	GENERAL TOLERANCES: (UNLESS SPECIFIED) 一般公差 10 UNDER 未満 ±0.2 10 OVER 30 UNDER 未満 ±0.25 30 OVER 以上 ±0.3 ANGLE 角度 ±3°	SCALE 10:1 DESIGN UNITS [X]mm []INCH DRAWN BY & DATE H.KAWABATA '03/12/09 CHECKED BY & DATE K.TOJO '03/12/09 APPROVED BY & DATE H. Sasaki '03/12/09 CAD FILENAME SD-52793-011.S01	DIMENSIONS: []mm []INCH [X]mm ONLY THIRD ANGLE PROJECTION TITLE: 1.0 FFC CONN. NON ZIF SMT R/A (UPPER CONTACT) -LEAD FREE- MOLEX MOLEX INCORPORATED MATERIAL NO. 52793-**19 DRAWING NO. SD-52793-011 SHEET NO. 1 OF 2	SHT REV REVISE ON CAD ONLY
----------------------------------	----------------------------------	----------------------------------	----------------------------------	---	----------------------------------	---	--	--	-------------------------------------



(仕上がり厚さ) 0.3 ± 0.03
THICKNESS
適合 FPC 推奨寸法
APPLICABLE FPC
RECOMMENDED DIMENSION.

注記 NOTES:

1. 使用材料 MATERIAL
 ハウジング : PPS, UL94V-0
 ターミナル : リン青銅 (t=0.25)
 メッキ : ニッケル下地 錫ピスマスメッキ
 金具 : リン青銅 (t=0.25)
 メッキ : ニッケル下地 純錫メッキ
- HOUSING : PPS, UL94V-0
 TERMINAL : PHOSPHOR BRONZE
 PLATING : Sn-Bi OVER Ni
 FITTING NAIL : PHOSPHOR BRONZE
 PLATING : Sn OVER Ni
2. 基準面 E からのもルダータールとフィッティングネイルの半田付け面のズレ量は、
 上方向に 0.1 MAX.、下方向に 0.15 MAX. とする。
 MISALIGNMENT OF SOLDER TAIL AND FITTING NAIL FROM E
 : UPPER DIRECTION 0.1 MAX., LOWER DIRECTION 0.15 MAX.
3. 偶数極に適用。
 APPLY FOR EVEN CKT.



参考基板レイアウト (マウント面)

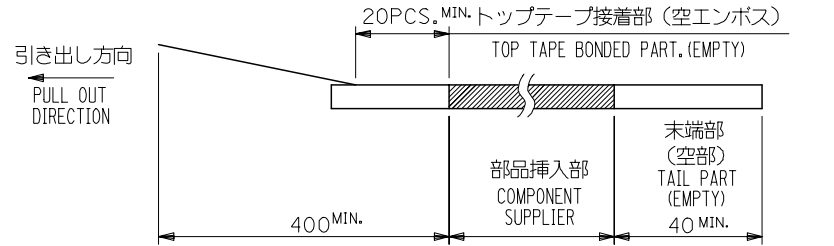
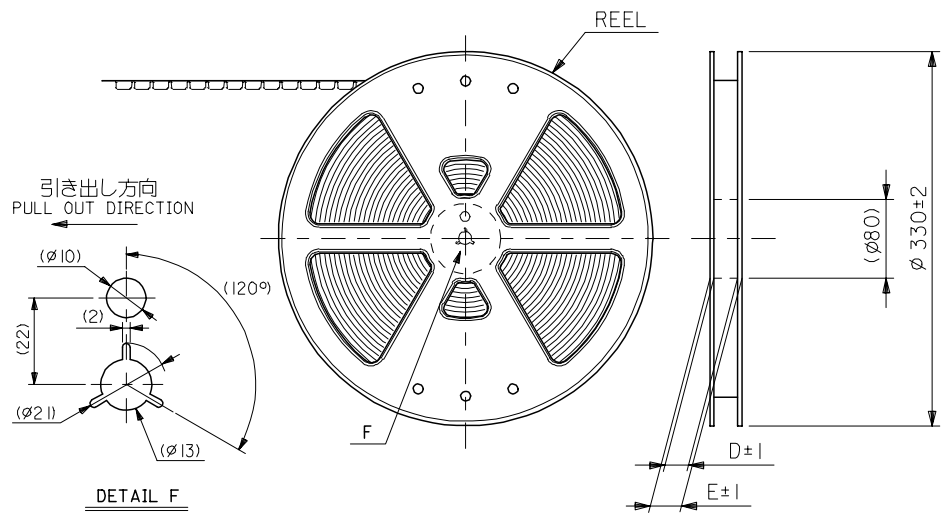
RECOMMENDED P.C.BOARD
 PATTERN DIMENSION (REF.)
 (MOUNTING AREA)

4. 本製品は 52793-***10 の鉛フリー品である。
 THIS PRODUCT IS LEAD FREE OF 52793-***10

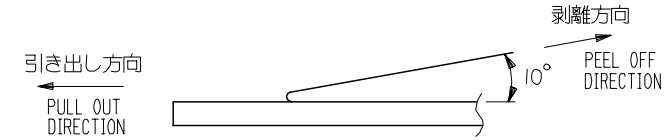
DO NOT SCALE DRAWING

EC NO. DRWN: CHK: APPR:	EC NO. DRWN: CHK: APPR:	EC NO. DRWN: CHK: APPR:	EC NO. DRWN: CHK: APPR:	SEE SHEET 1 OF 2	MATERIAL 材料 注記参照 SEE NOTES FINISH 仕上げ // WIRE RANGE 適用電線範囲 // INS. RANGE 被覆外径 //	GENERAL TOLERANCES: (UNLESS SPECIFIED) 一般公差		SCALE 10:1	DESIGN UNITS <input checked="" type="checkbox"/> mm <input type="checkbox"/> INCH	THIRD ANGLE PROJECTION <input type="checkbox"/> mm <input type="checkbox"/> INCH <input checked="" type="checkbox"/> mm ONLY	SHT	REV
						10 UNDER 未満	±0.2	DRAWN BY & DATE H. KAWABATA '03/12/09			TITLE: 1.0 FFC CONN. NON ZIF SMT R/A (UPPER CONTACT) -LEAD FREE-	REVISION CAD ONLY
						10 OVER 30 UNDER 未満	±0.25	CHECKED BY & DATE K. TOJO '03/12/09				
						30 OVER 以上	±0.3	APPROVED BY & DATE M. Sasaki '03/12/09				
						ANGLE 角度	±3°	CAD FILENAME SD-52793-011.S02	MATERIAL NO. 52793-***19	DRAWING NO. SD-52793-011	SHEET NO. 2 OF 2	
THIS DRAWING CONTAINS INFORMATION THAT IS PROPRIETARY TO MOLEX INCORPORATED AND SHOULD NOT BE USED WITHOUT WRITTEN PERMISSION.										SIZE B		

- NOTES**
- 製品詳細寸法については 製品単体図面 を参照下さい。
RE DETAILED DIMENSION, SEE SALES DRAWING FOR CONNECTOR.
 - 梱包数量：1000個/リール
NUMBER OF CONNECTORS : 1000PCS/REEL
 - リードテープ長さ LEAD TAPE LENGTH



- トップテープの剥離強度：0.1-1.3 N(10-130gf) (剥離方向は下図参照)
尚、本規格値は出荷時に適用。(但し、輸送時に剥離が発生しないこと。)
PEELING OFF FORCE OF TOP TAPE : 0.1-1.3 N(10-130gf)
(PEELING DIRECTION AS SHOWN IN FOLLOWING FIG.)
THIS REQUIREMENT SHOULD BE APPLIED AT SHIPMENT.
PEEL OFF SHOULD NOT BE ALLOWED , DURING TRANSPORTATION.



- 材料 (MATERIAL)
キャリアテープ (CARRIER TAPE) : ポリプロピレン (POLYPROPYLENE)
トップテープ (TOPTAPE) : PET , PE , PEF
リール (REEL) : ポリスチレン (PS) <リサイクル材を含む>
POLYSTYRENE (PS) <RECYCLE MATERIAL CONTAINED>
- 本製品は 52793-***90 の鉛フリー品である。
THIS PRODUCT IS LEAD FREE OF 52793-***90

52793-***90 MODEL NO.

REVISED EC NO: J2006-0384 DRW: NAITA 2005/08/08 CHK: KTOYODA 2005/08/09 APPR: NUKITA 2005/08/22	GENERAL TOLERANCES (UNLESS SPECIFIED)		DIMENSION STYLE MM ONLY		SCALE ---	DESIGN UNITS METRIC	THIRD ANGLE PROJECTION	
	10 UNDER	±0.2	DRAWN BY M. NAGATA	DATE '03/12/09	TITLE 1.0 FFC CONN. NON ZIF SMT RA EMBSTP PKG -LEAD FREE-			
	10 OVER 30 UNDER	±0.25	CHECKED BY K. TOJO	DATE '03/12/09				
	30 OVER	±0.3	APPROVED BY M. SASAO	DATE '03/12/09	MOLEX INCORPORATED			
	ANGULAR	±3 °	MATERIAL NO. SEE CHART					
DRAFT WHERE APPLICABLE MUST REMAIN WITHIN DIMENSIONS		SIZE A3	THIS DRAWING CONTAINS INFORMATION THAT IS PROPRIETARY TO MOLEX INCORPORATED AND SHOULD NOT BE USED WITHOUT WRITTEN PERMISSION					

10 9 8 7 6 5 4 3 2 1

F

E

D

C

B

A

F

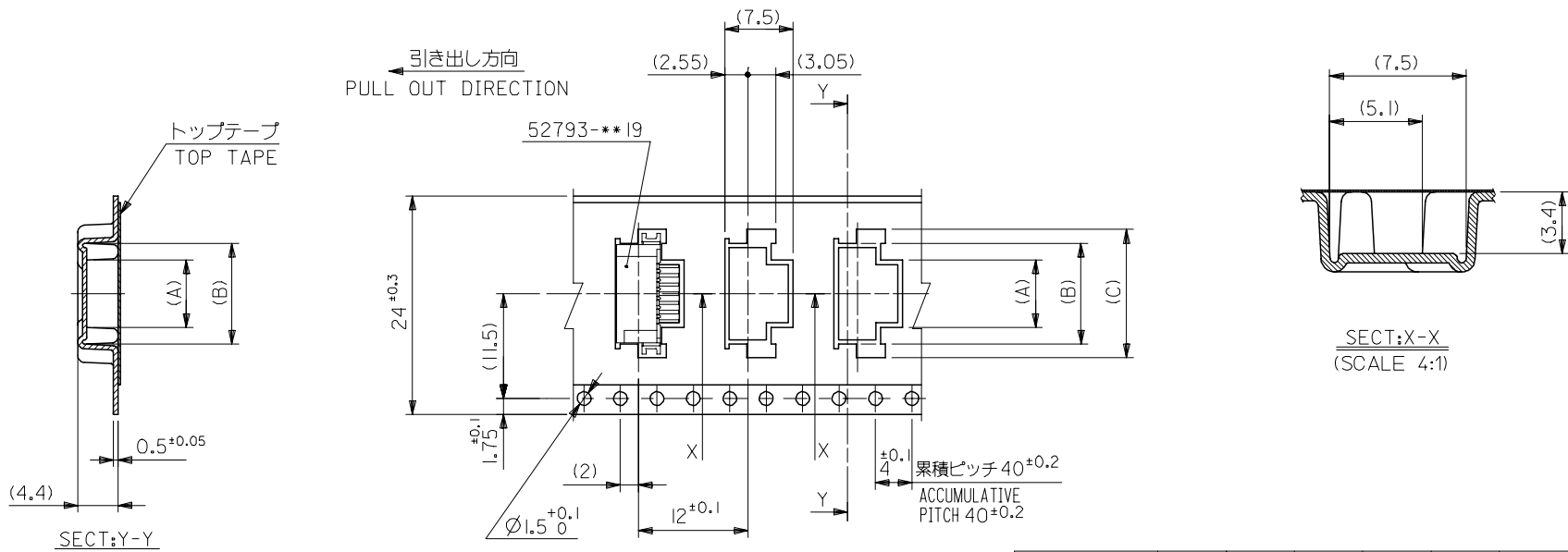
E

D

C

B

A



24mm幅キャリアテープ
24mm WIDTH CARRIER TAPE

24	29.4	25.4	18.1	15.1	11.4	52793-1170	11
			17.1	14.1	10.4	52793-1070	10
			16.1	13.1	9.4	52793-0970	9
			15.1	12.1	8.4	52793-0870	8
			14.1	11.1	7.4	52793-0770	7
			13.1	10.1	6.4	52793-0670	6
			12.1	9.1	5.4	52793-0570	5
11.1	8.1	4.4	52793-0470	4			
キャリアテープ幅 CARRIER TAPE WIDTH	E	D	(C)	(B)	(A)	MATERIAL NO.	極数 CKT.
						52793-***70	MODEL NO.

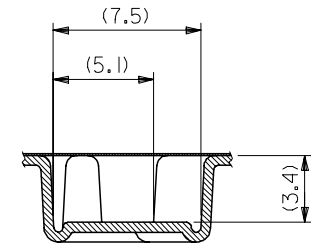
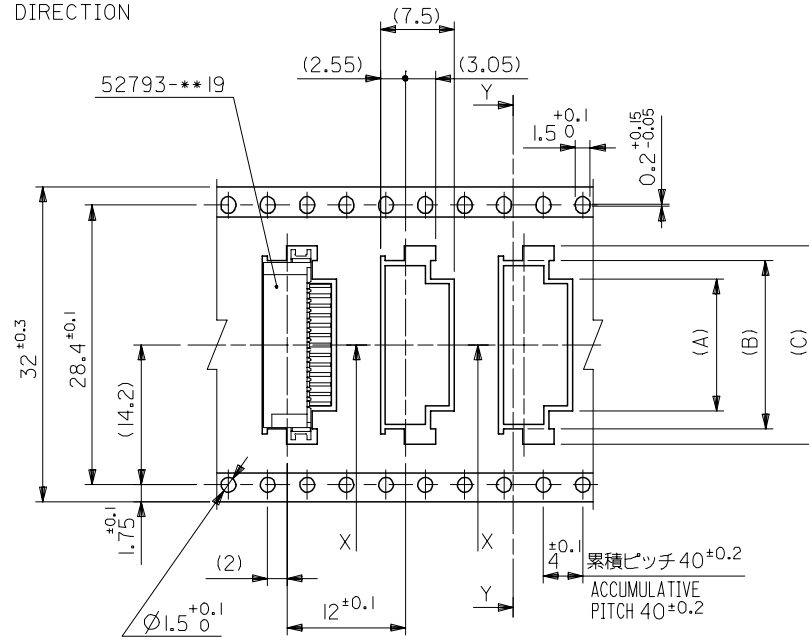
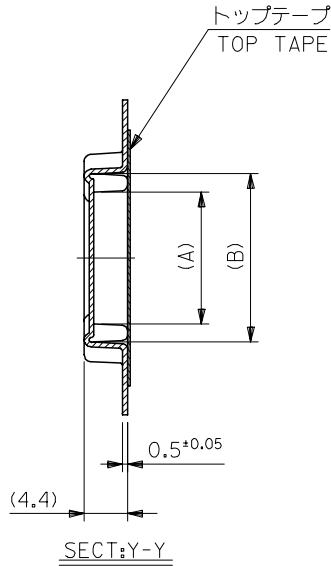
REVISED EC NO: J2006-0384 DRW:NAIDA 2005/08/08 CHK:KTOYODA 2005/08/09 APP:NUKITA 2005/08/22	GENERAL TOLERANCES (UNLESS SPECIFIED)		DIMENSION STYLE MM ONLY		SCALE ---	DESIGN UNITS METRIC	THIRD ANGLE PROJECTION
	10 UNDER	±0.2	DRAWN BY M. NAGATA	DATE '03/12/09	TITLE 1.0 FFC CONN. NON ZIF SMT RA EMBSTP PKG -LEAD FREE-		
	10 OVER 30 UNDER	±0.25	CHECKED BY K. TOJO	DATE '03/12/09	MOLEX INCORPORATED		
	30 OVER	±0.3	APPROVED BY M. SASAO	DATE '03/12/09	MATERIAL NO. SEE CHART	DOCUMENT NO. SD-52793-012	SHEET NO. 2 OF 5
	ANGULAR	±3 °	DRAFT WHERE APPLICABLE MUST REMAIN WITHIN DIMENSIONS		THIS DRAWING CONTAINS INFORMATION THAT IS PROPRIETARY TO MOLEX INCORPORATED AND SHOULD NOT BE USED WITHOUT WRITTEN PERMISSION		

10 9 8 7 6 5 4 3 2 1

F
E
D
C
B
A

F
E
D
C
B
A

引き出し方向
PULL OUT DIRECTION



32mm幅キャリアテープ
32mm WIDTH CARRIER TAPE

32	37.4	33.4	23.1	20.1	16.4	52793-1670	I6
			22.1	19.1	15.4	52793-1570	I5
			21.1	18.1	14.4	52793-1470	I4
			20.1	17.1	13.4	52793-1370	I3
			19.1	16.1	12.4	52793-1270	I2
キャリアテープ幅 CARRIER TAPE WIDTH	E	D	(C)	(B)	(A)	MATERIAL NO.	極数 CIRCUIT

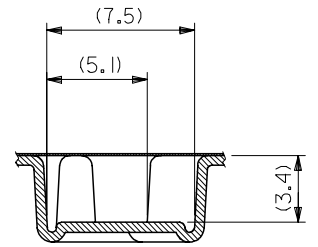
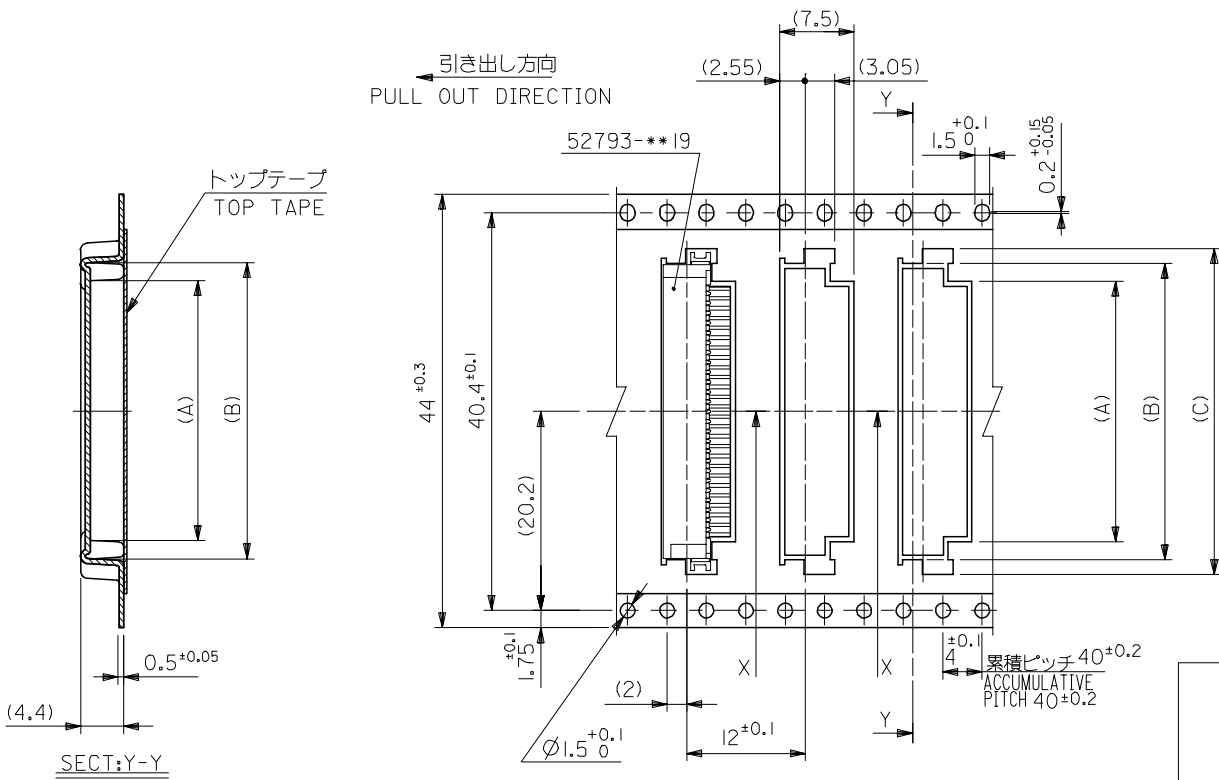
52793-***70 MODEL NO.

REVISED EC NO: J2006-0384 DRW:NAIDA 2005/08/08 CHK:KTOYODA 2005/08/09 APPR:NUKITA 2005/08/22	GENERAL TOLERANCES (UNLESS SPECIFIED)		DIMENSION STYLE MM ONLY		SCALE ---	DESIGN UNITS METRIC	THIRD ANGLE PROJECTION
	10 UNDER	± 0.2	DRAWN BY M. NAGATA	DATE '03/12/09	TITLE 1.0 FFC CONN. NON ZIF SMT RA EMBSTP PKG -LEAD FREE-		
	10 OVER 30 UNDER	± 0.25	CHECKED BY K. TOJO	DATE '03/12/09	MOLEX INCORPORATED		
	30 OVER	± 0.3	APPROVED BY M. SASAO	DATE '03/12/09	DOCUMENT NO. SD-52793-012		
	ANGULAR	± 3 °	MATERIAL NO. SEE CHART		SHEET NO. 3 OF 5		
DRAFT WHERE APPLICABLE MUST REMAIN WITHIN DIMENSIONS		SIZE A3			THIS DRAWING CONTAINS INFORMATION THAT IS PROPRIETARY TO MOLEX INCORPORATED AND SHOULD NOT BE USED WITHOUT WRITTEN PERMISSION		

10 9 8 7 6 5 4 3 2 1

F
E
D
C
B
A

F
E
D
C
B
A



44mm幅キャリアテープ
44mm WIDTH CARRIER TAPE

44	49.4	45.4	34.1	31.1	27.4	52793-2770	27
			33.1	30.1	26.4	52793-2670	26
			32.1	29.1	25.4	52793-2570	25
			31.1	28.1	24.4	52793-2470	24
			30.1	27.1	23.4	52793-2370	23
			29.1	26.1	22.4	52793-2270	22
			28.1	25.1	21.4	52793-2170	21
			27.1	24.1	20.4	52793-2070	20
			26.1	23.1	19.4	52793-1970	19
			25.1	22.1	18.4	52793-1870	18
24.1	21.1	17.4	52793-1770	17			
キャリアテープ幅 CARRIER TAPE WIDTH	E	D	(C)	(B)	(A)	MATERIAL NO.	極数 CIRCUIT

52793-***70 MODEL NO.

REVISED EC NO: J2006-0384 DRW: NAITA 2005/08/08 CHK: KTOYODA 2005/08/09 APPR: NUKITA 2005/08/22	GENERAL TOLERANCES (UNLESS SPECIFIED)		DIMENSION STYLE MM ONLY		SCALE ---	DESIGN UNITS METRIC	THIRD ANGLE PROJECTION
	10 UNDER	± 0.2	DRAWN BY M. NAGATA	DATE '03/12/09	TITLE 1.0 FFC CONN. NON ZIF SMT RA EMBSTP PKG -LEAD FREE-		
	10 OVER 30 UNDER	± 0.25	CHECKED BY K. TOJO	DATE '03/12/09	MOLEX INCORPORATED		
	30 OVER	± 0.3	APPROVED BY M. SASAO	DATE '03/12/09	MATERIAL NO. SEE CHART	DOCUMENT NO. SD-52793-012	SHEET NO. 4 OF 5
	ANGULAR	± 3 °	DRAFT WHERE APPLICABLE MUST REMAIN WITHIN DIMENSIONS		THIS DRAWING CONTAINS INFORMATION THAT IS PROPRIETARY TO MOLEX INCORPORATED AND SHOULD NOT BE USED WITHOUT WRITTEN PERMISSION		



Компания «ЭлектроПласт» предлагает заключение долгосрочных отношений при поставках импортных электронных компонентов на взаимовыгодных условиях!

Наши преимущества:

- Оперативные поставки широкого спектра электронных компонентов отечественного и импортного производства напрямую от производителей и с крупнейших мировых складов;
- Поставка более 17-ти миллионов наименований электронных компонентов;
- Поставка сложных, дефицитных, либо снятых с производства позиций;
- Оперативные сроки поставки под заказ (от 5 рабочих дней);
- Экспресс доставка в любую точку России;
- Техническая поддержка проекта, помощь в подборе аналогов, поставка прототипов;
- Система менеджмента качества сертифицирована по Международному стандарту ISO 9001;
- Лицензия ФСБ на осуществление работ с использованием сведений, составляющих государственную тайну;
- Поставка специализированных компонентов (Xilinx, Altera, Analog Devices, Intersil, Interpoint, Microsemi, Aeroflex, Peregrine, Syfer, Eurofarad, Texas Instrument, Miteq, Cobham, E2V, MA-COM, Hittite, Mini-Circuits, General Dynamics и др.);

Помимо этого, одним из направлений компании «ЭлектроПласт» является направление «Источники питания». Мы предлагаем Вам помощь Конструкторского отдела:

- Подбор оптимального решения, техническое обоснование при выборе компонента;
- Подбор аналогов;
- Консультации по применению компонента;
- Поставка образцов и прототипов;
- Техническая поддержка проекта;
- Защита от снятия компонента с производства.



Как с нами связаться

Телефон: 8 (812) 309 58 32 (многоканальный)

Факс: 8 (812) 320-02-42

Электронная почта: org@eplast1.ru

Адрес: 198099, г. Санкт-Петербург, ул. Калинина, дом 2, корпус 4, литера А.