

**FEATURES**

**USB 2.0 (480 Mbps) and USB 1.1 (12 Mbps) signal switching compliant**  
**Tiny 10-lead 1.3 mm × 1.6 mm mini LFCSP package and 12-lead 3 mm × 3 mm LFCSP package**  
**2.7 V to 3.6 V single-supply operation**  
**Typical power consumption: <0.1 μW**  
**RoHS compliant**

**APPLICATIONS**

**USB 2.0 signal switching circuits**  
**Cellular phones**  
**PDA's**  
**MP3 players**  
**Battery-powered systems**  
**Headphone switching**  
**Audio and video signal routing**  
**Communications systems**

**GENERAL DESCRIPTION**

The **ADG772** is a low voltage CMOS device that contains two independently selectable single-pole, double throw (SPDT) switches. It is designed as a general-purpose switch and can be used for routing both USB 1.1 and USB 2.0 signals.

This device offers a data rate of 1260 Mbps, making the device suitable for high frequency data switching. Each switch conducts equally well in both directions when on and has an input signal range that extends to the supplies. The **ADG772** exhibits break-before-make switching action.

The **ADG772** is available in a 12-lead LFCSP and a 10-lead mini LFCSP. These packages make the **ADG772** the ideal solution for space-constrained applications.

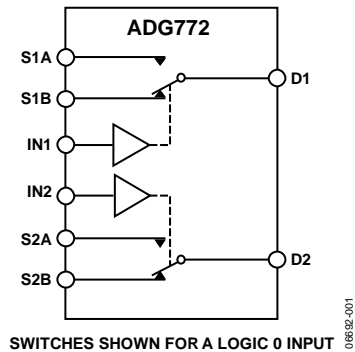
**FUNCTIONAL BLOCK DIAGRAM**

Figure 1.

**PRODUCT HIGHLIGHTS**

1. 1.6 mm × 1.3 mm mini LFCSP package.
2. USB 1.1 (12 Mbps) and USB 2.0 (480 Mbps) compliant.
3. Single 2.7 V to 3.6 V operation.
4. 1.8 V logic compatible.
5. RoHS compliant.

## TABLE OF CONTENTS

Features .....	1	ESD Caution.....	4
Applications.....	1	Pin Configuration and Function Descriptions.....	5
Functional Block Diagram .....	1	Truth Table .....	5
General Description .....	1	Typical Performance Characteristics .....	6
Product Highlights .....	1	Test Circuits.....	9
Revision History .....	2	Terminology .....	11
Specifications.....	3	Outline Dimensions .....	12
Absolute Maximum Ratings.....	4	Ordering Guide .....	12

## REVISION HISTORY

### 5/16—Rev. B to Rev. C

Changes to Figure 3.....	5
Updated Outline Dimensions .....	12
Changes to Ordering Guide .....	12

### 4/13—Rev. A to Rev. B

Added EPAD Notation .....	5
Changes to Figure 10.....	7
Updated Outline Dimensions .....	12
Changes to Ordering Guide .....	12

### 6/08—Rev. 0 to Rev. A

Changes to Product Highlights.....	1
Changes to Input High Voltage, $V_{INH}$ , Parameter.....	3

### 8/07—Revision 0: Initial Version

## Specifications

$V_{DD} = 2.7\text{ V to }3.6\text{ V}$ ,  $GND = 0\text{ V}$ , unless otherwise noted.

Table 1.

Parameter	+25°C	−40°C to +85°C	Unit	Test Conditions/Comments
<b>ANALOG SWITCH</b>				
Analog Signal Range		0 V to $V_{DD}$	V	
On-Resistance ( $R_{ON}$ )	6.7	8.8	$\Omega$ typ $\Omega$ max	$V_{DD} = 2.7\text{ V}$ , $V_S = 0\text{ V to }V_{DD}$ , $I_{DS} = 10\text{ mA}$ ; see Figure 21
On-Resistance Match Between Channels ( $\Delta R_{ON}$ )	0.04	0.2	$\Omega$ typ $\Omega$ max	$V_{DD} = 2.7\text{ V}$ , $V_S = 1.5\text{ V}$ , $I_{DS} = 10\text{ mA}$
On Resistance Flatness ( $R_{FLAT(ON)}$ )	3.3	3.6	$\Omega$ typ $\Omega$ max	$V_{DD} = 2.7\text{ V}$ , $V_S = 0\text{ V to }V_{DD}$ , $I_{DS} = 10\text{ mA}$
<b>LEAKAGE CURRENTS</b>				
Source Off Leakage $I_S$ (Off)	$\pm 0.2$		nA typ	$V_{DD} = 3.6\text{ V}$ $V_S = 0.6\text{ V}/3.3\text{ V}$ , $V_D = 3.3\text{ V}/0.6\text{ V}$ ; see Figure 22
Channel On Leakage $I_D$ , $I_S$ (On)	$\pm 0.2$		nA typ	$V_S = V_D = 0.6\text{ V or }3.3\text{ V}$ ; see Figure 23
<b>DIGITAL INPUTS</b>				
Input High Voltage, $V_{INH}$		1.35	V min	
Input Low Voltage, $V_{INL}$		0.8	V max	
Input Current, $I_{INL}$ or $I_{INH}$	0.005	$\pm 0.1$	$\mu\text{A}$ typ $\mu\text{A}$ max	$V_{IN} = V_{INL}$ or $V_{INH}$ $V_{IN} = V_{INL}$ or $V_{INH}$
Digital Input Capacitance, $C_{IN}$	2		pF typ	
<b>DYNAMIC CHARACTERISTICS<sup>1</sup></b>				
$t_{ON}$	9		ns typ	$R_L = 50\ \Omega$ , $C_L = 35\text{ pF}$
	12.5	13.5	ns max	$V_S = 2\text{ V}$ ; see Figure 24
$t_{OFF}$	6		ns typ	$R_L = 50\ \Omega$ , $C_L = 35\text{ pF}$
	9.5	10	ns max	$V_S = 2\text{ V}$ ; see Figure 24
Propagation Delay	250		ps typ	$R_L = 50\ \Omega$ , $C_L = 35\text{ pF}$
Propagation Delay Skew, $t_{SKEW}$	20		ps typ	$R_L = 50\ \Omega$ , $C_L = 35\text{ pF}$
Break-Before-Make Time Delay ( $t_{BBM}$ )	5		ns typ	$R_L = 50\ \Omega$ , $C_L = 35\text{ pF}$
	3.4	2.9	ns min	$V_{S1} = V_{S2} = 2\text{ V}$ ; see Figure 25
Charge Injection	0.5		pC typ	$V_D = 1.25\text{ V}$ , $R_S = 0\ \Omega$ , $C_L = 1\text{ nF}$ ; see Figure 26
Off Isolation	73		dB typ	$R_L = 50\ \Omega$ , $C_L = 5\text{ pF}$ , $f = 1\text{ MHz}$ ; see Figure 27
Channel-to-Channel Crosstalk	−90		dB typ	S1A to S2A/S1B to S2B; $R_L = 50\ \Omega$ , $C_L = 5\text{ pF}$ , $f = 1\text{ MHz}$ ; see Figure 28
	−80		dB typ	S1A to S1B/S2A to S2B; $R_L = 50\ \Omega$ , $C_L = 5\text{ pF}$ , $f = 1\text{ MHz}$ ; see Figure 29
−3 dB Bandwidth	630		MHz typ	$R_L = 50\ \Omega$ , $C_L = 5\text{ pF}$ ; see Figure 30
Data Rate	1260		Mbps typ	$R_L = 50\ \Omega$ , $C_L = 5\text{ pF}$ ; see Figure 30
$C_S$ (Off)	2.4		pF typ	
$C_D$ , $C_S$ (On)	6.9		pF typ	
<b>POWER REQUIREMENTS</b>				
$I_{DD}$	0.006		$\mu\text{A}$ typ $\mu\text{A}$ max	$V_{DD} = 3.6\text{ V}$ Digital inputs = 0 V or 3.6 V
		1		

<sup>1</sup> Guaranteed by design, not subject to production test.

## ABSOLUTE MAXIMUM RATINGS

$T_A = 25^\circ\text{C}$ , unless otherwise noted.

Table 2.

Parameter	Rating
$V_{DD}$ to GND	-0.3 V to +4.6 V
Analog Inputs, <sup>1</sup> Digital Inputs	-0.3 V to $V_{DD} + 0.3$ V or 10 mA, whichever occurs first
Peak Current, Pin S1A, Pin S2A, Pin D1, or Pin D2	100 mA (pulsed at 1 ms, 10% duty cycle max)
Continuous Current, Pin S1A, Pin S2A, Pin D1, or Pin D2	30 mA
Operating Temperature Industrial Range (B Version)	-40°C to +85°C
Storage Temperature Range	-65°C to +150°C
Junction Temperature	150°C
$\theta_{JA}$ Thermal Impedance (4-Layer Board)	
10-Lead Mini LFCSP	131.6°C/W
12-Lead LFCSP	61°C/W
Pb-Free Temperature, Soldering, IR Reflow	
Peak Temperature	260(+0/-5)°C
Time at Peak Temperature	10 sec to 40 sec

<sup>1</sup> Overvoltages at the IN1, IN2, S1A, S2A, D1, or D2 pin are clamped by internal diodes. Current must be limited to the maximum ratings given.

Stresses at or above those listed under Absolute Maximum Ratings may cause permanent damage to the product. This is a stress rating only; functional operation of the product at these or any other conditions above those indicated in the operational section of this specification is not implied. Operation beyond the maximum operating conditions for extended periods may affect product reliability.

Only one absolute maximum rating can be applied at any one time.

### ESD CAUTION



**ESD (electrostatic discharge) sensitive device.** Charged devices and circuit boards can discharge without detection. Although this product features patented or proprietary protection circuitry, damage may occur on devices subjected to high energy ESD. Therefore, proper ESD precautions should be taken to avoid performance degradation or loss of functionality.

# PIN CONFIGURATION AND FUNCTION DESCRIPTIONS

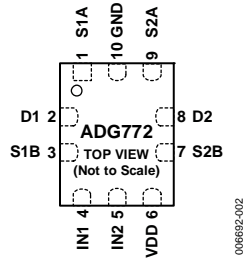
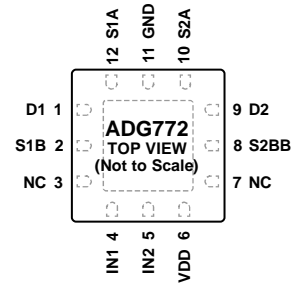


Figure 2. 10-Lead Mini LFCSP Pin Configuration



NOTES  
 1. NC = NO CONNECT.  
 2. THE EXPOSED PAD IS CONNECTED INTERNALLY. FOR INCREASED RELIABILITY OF THE SOLDER JOINTS AND MAXIMUM THERMAL CAPABILITY, IT IS RECOMMENDED THAT THE PAD BE SOLDERED TO A GROUND REFERENCE.

Figure 3. 12-Lead LFCSP Pin Configuration

Table 3. Pin Function Descriptions

Pin No.		Mnemonic	Description
10-Lead Mini LFCSP	12-Lead LFCSP		
1	12	S1A	Source Terminal. Can be an input or an output.
2	1	D1	Drain Terminal. Can be an input or an output.
3	2	S1B	Source Terminal. Can be an input or an output.
4	4	IN1	Logic Control Input. This pin controls Switch S1A and Switch S1B to D1.
5	5	IN2	Login Control Input. This pin controls Switch S2A and Switch S2B to D2.
6	6	VDD	Most Positive Power Supply Potential.
7	8	S2B	Source Terminal. Can be an input or an output.
8	9	D2	Drain Terminal. Can be an input or an output.
9	10	S2A	Source Terminal. Can be an input or an output.
10	11	GND	Ground (0 V) Reference.
Not applicable	3, 7	NC	No Connect.
Not applicable	13	EPAD	Exposed Pad. The exposed pad is connected internally. For increased reliability of the solder joints and maximum thermal capability, it is recommended that the pad be soldered to a ground reference.

## TRUTH TABLE

Table 4.

Logic (IN1 or IN2)	Switch A (S1A or S2A)	Switch B (S1B or S2B)
0	Off	On
1	On	Off

TYPICAL PERFORMANCE CHARACTERISTICS

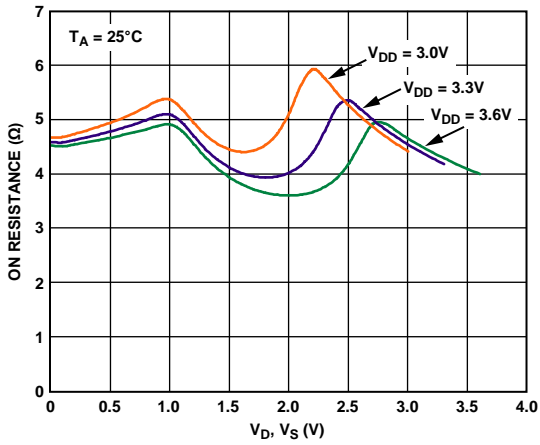


Figure 4. On Resistance vs.  $V_D, V_S$ ;  $V_{DD} = 3.3\text{ V} \pm 0.3\text{ V}$

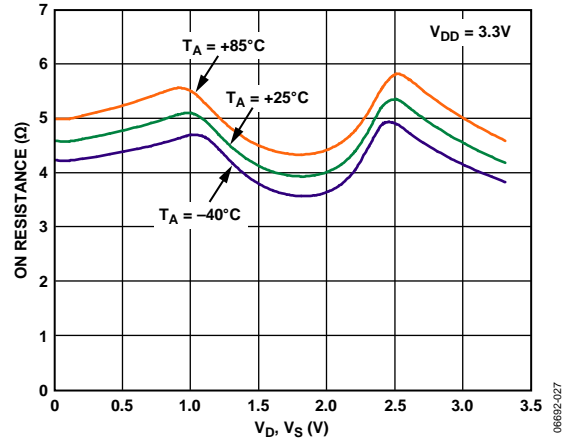


Figure 7. On Resistance vs.  $V_D, V_S$  for Different Temperatures;  $V_{DD} = 3.3\text{ V}$

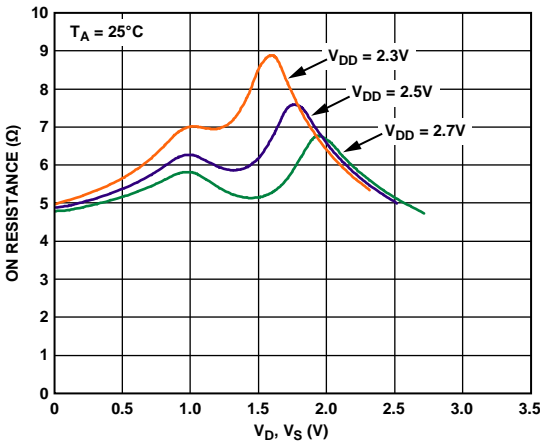


Figure 5. On Resistance vs.  $V_D, V_S$ ;  $V_{DD} = 2.5\text{ V} \pm 0.2\text{ V}$

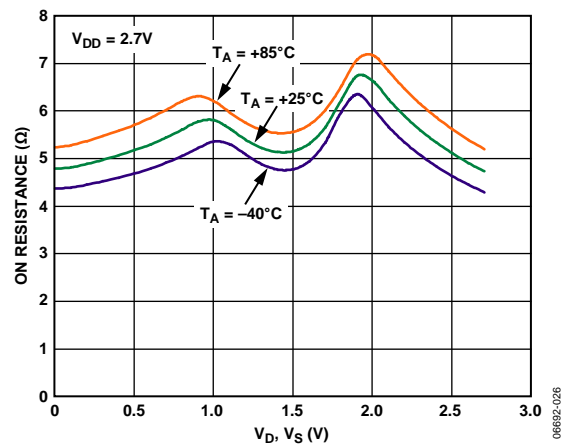


Figure 8. On Resistance vs.  $V_D, V_S$  for Different Temperatures;  $V_{DD} = 2.7\text{ V}$

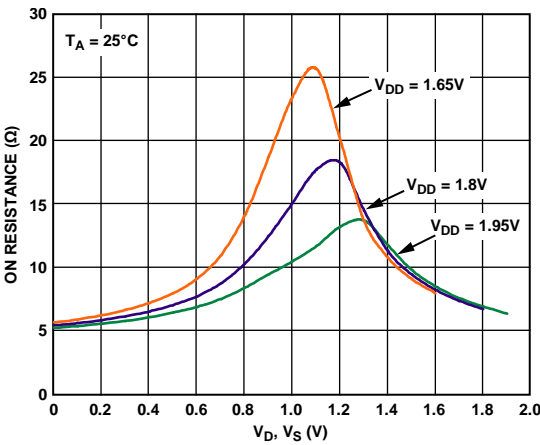


Figure 6. On Resistance vs.  $V_D, V_S$ ;  $V_{DD} = 1.8\text{ V} \pm 0.15\text{ V}$

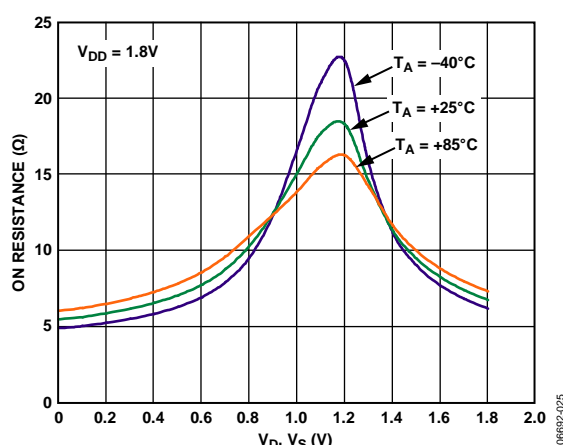


Figure 9. On Resistance vs.  $V_D, V_S$  for Different Temperatures;  $V_{DD} = 1.8\text{ V}$

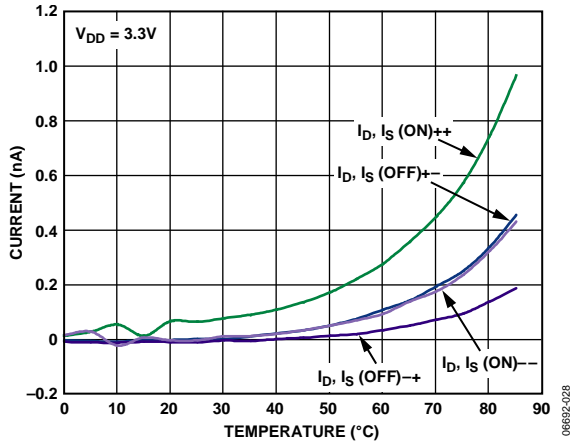


Figure 10. Leakage Current vs. Temperature;  $V_{DD} = 3.3V$

06692-028

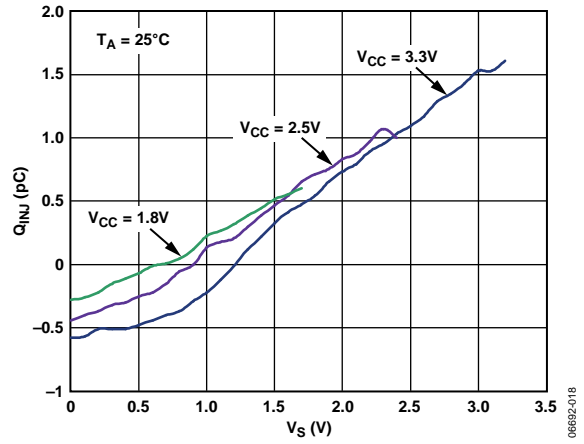


Figure 13. Charge Injection vs. Source Voltage

06692-018

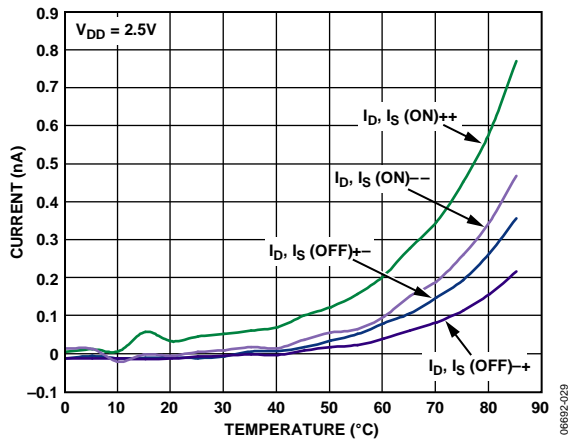


Figure 11. Leakage Current vs. Temperature;  $V_{DD} = 2.5V$

06692-029

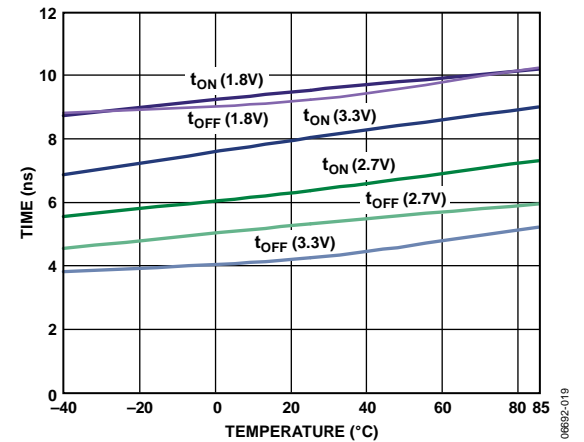


Figure 14.  $t_{ON}/t_{OFF}$  Times vs. Temperature

06692-019

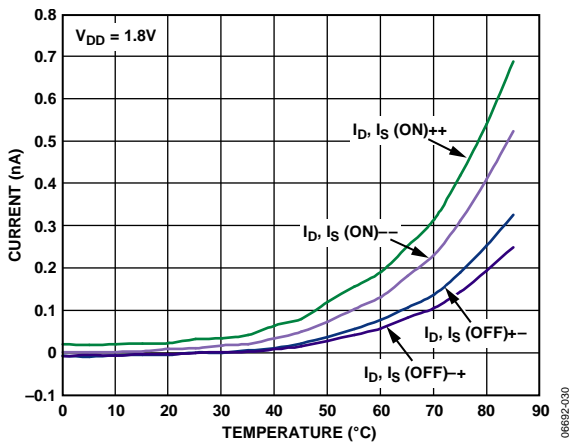


Figure 12. Leakage Current vs. Temperature;  $V_{DD} = 1.8V$

06692-030

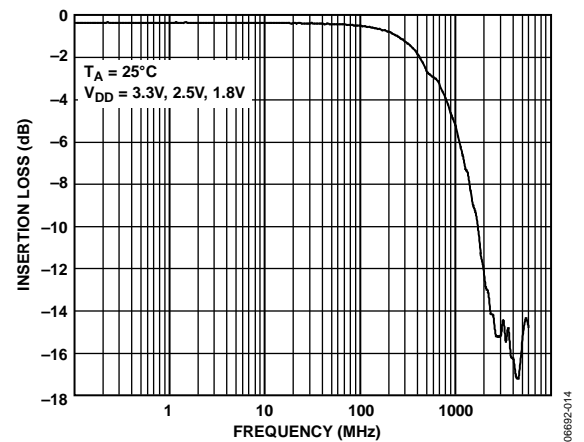


Figure 15. Bandwidth

06692-014

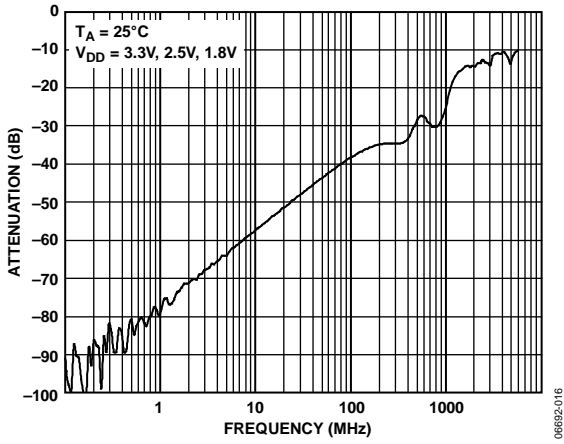


Figure 16. Off Isolation vs. Frequency

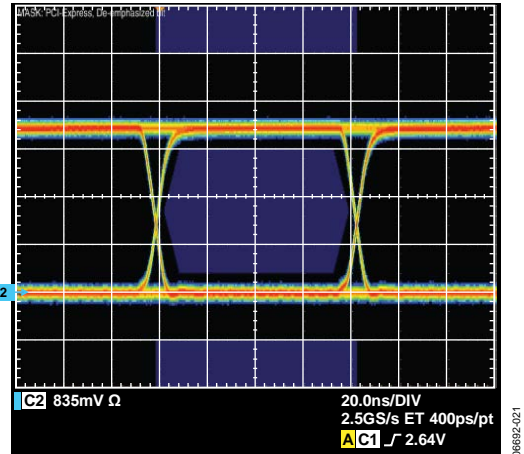


Figure 19. USB 1.1 Eye Diagram

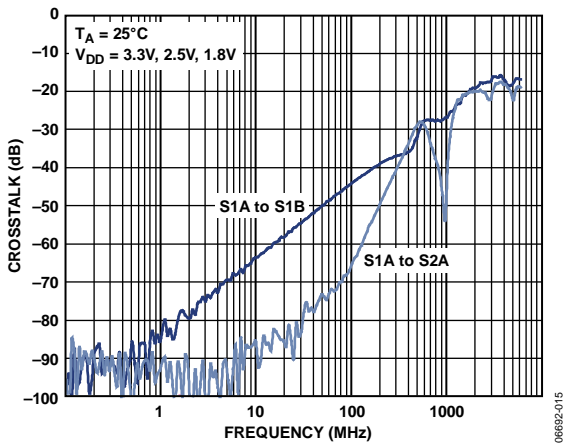


Figure 17. Crosstalk vs. Frequency

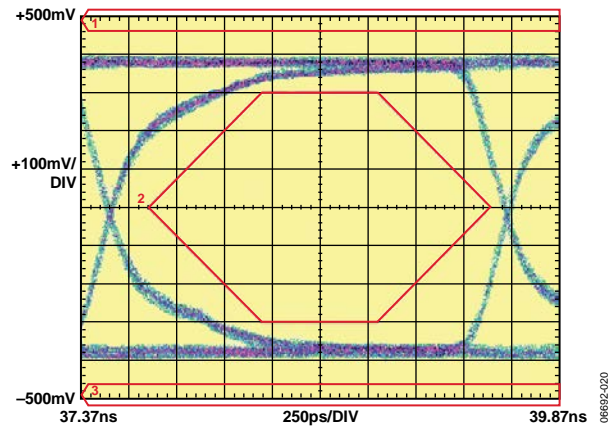


Figure 20. USB 2.0 Eye Diagram

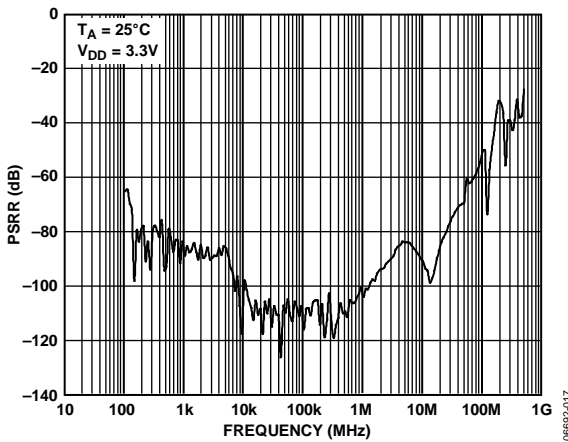


Figure 18. PSRR vs. Frequency



TEST CIRCUITS

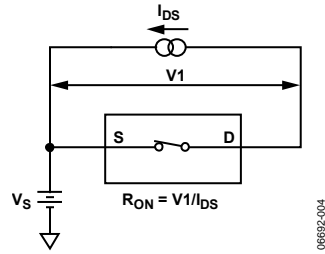


Figure 21. On Resistance

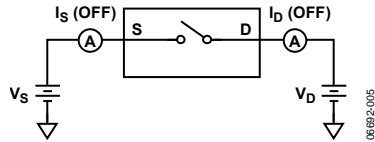


Figure 22. Off Leakage

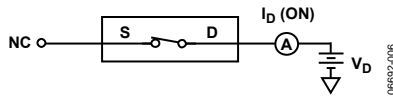


Figure 23. On Leakage

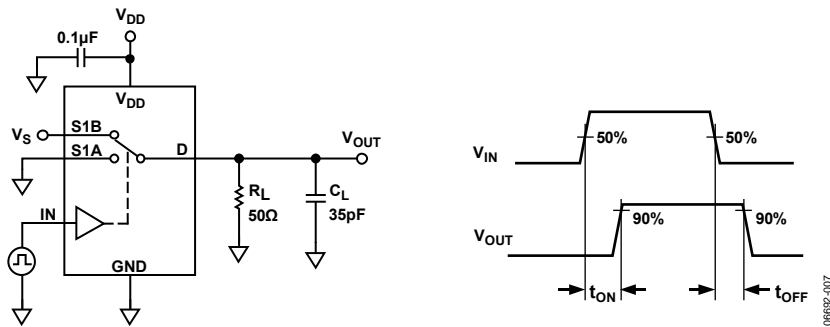


Figure 24. Switching Times,  $t_{ON}$ ,  $t_{OFF}$

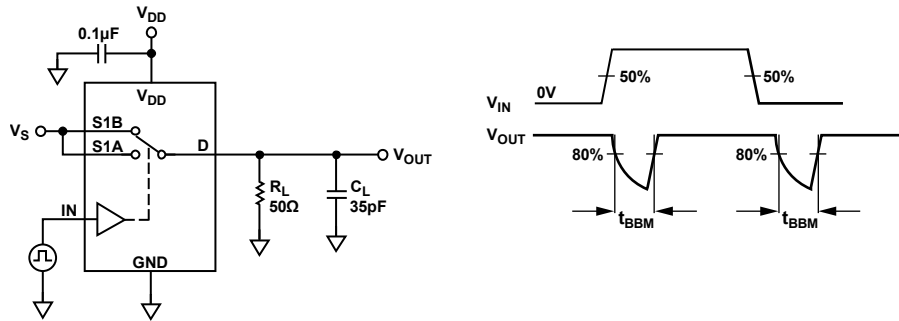


Figure 25. Break-Before-Make Time Delay,  $t_{BBM}$

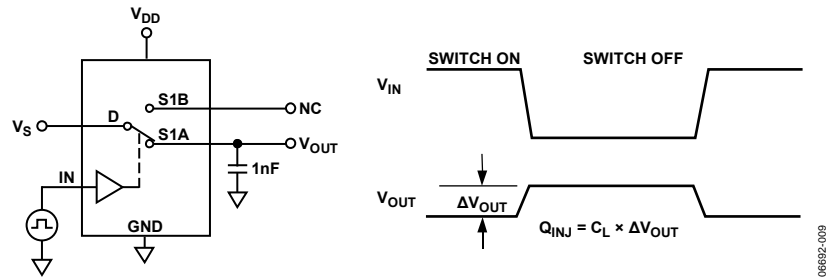
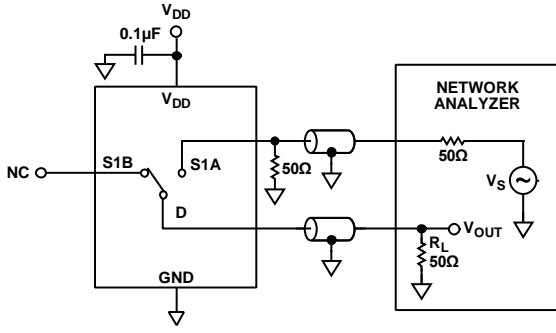


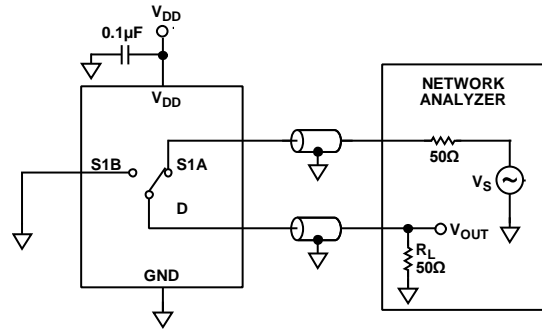
Figure 26. Charge Injection



$$\text{OFF ISOLATION} = 20 \log \frac{V_{\text{OUT}}}{V_{\text{S}}}$$

06692-010

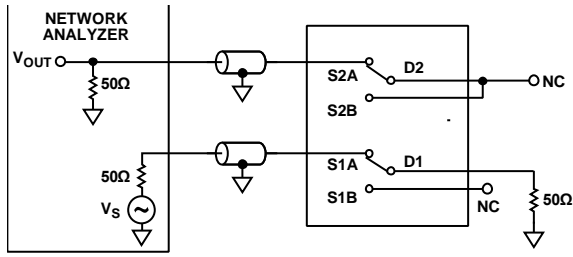
Figure 27. Off Isolation



$$\text{INSERTION LOSS} = 20 \log \frac{V_{\text{OUT WITH SWITCH}}}{V_{\text{OUT WITHOUT SWITCH}}}$$

06692-012

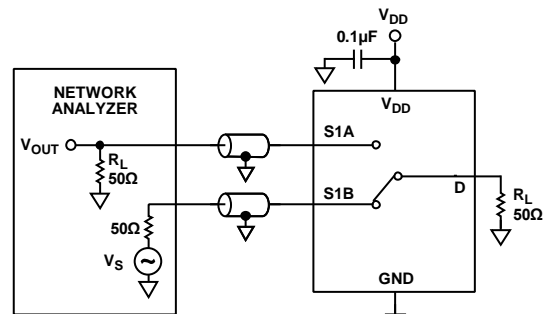
Figure 29. Channel-to-Channel Crosstalk (S1A to S1B)



$$\text{CHANNEL-TO-CHANNEL CROSSTALK} = 20 \log \frac{V_{\text{OUT}}}{V_{\text{S}}}$$

06692-013

Figure 28. Channel-to-Channel Crosstalk (S1A to S2A)



$$\text{CHANNEL-TO-CHANNEL CROSSTALK} = 20 \log \frac{V_{\text{OUT}}}{V_{\text{S}}}$$

06692-011

Figure 30. Bandwidth

## TERMINOLOGY

$I_{DD}$

Positive supply current.

$V_D, V_S$

Analog voltage on Terminal D and Terminal S.

$R_{ON}$

Ohmic resistance between Terminal D and Terminal S.

$R_{FLAT}$  (On)

The difference between the maximum and minimum values of on resistance as measured on the switch.

$\Delta R_{ON}$

On resistance match between any two channels.

$I_S$  (Off)

Source leakage current with the switch off.

$I_D$  (Off)

Drain leakage current with the switch off.

$I_D, I_S$  (On)

Channel leakage current with the switch on.

$V_{INL}$

Maximum input voltage for Logic 0.

$V_{INH}$

Minimum input voltage for Logic 1.

$I_{INL}, I_{INH}$

Input current of the digital input.

$C_S$  (Off)

Off switch source capacitance. Measured with reference to ground.

$C_D$  (Off)

Off switch drain capacitance. Measured with reference to ground.

$C_D, C_S$  (On)

On switch capacitance. Measured with reference to ground.

$C_{IN}$

Digital input capacitance.

$t_{ON}$

Delay time between the 50% and 90% points of the digital input and switch on condition.

$t_{OFF}$

Delay time between the 50% and 90% points of the digital input and switch off condition.

$t_{BBM}$

On or off time measured between the 80% points of both switches when switching from one to another.

### Charge Injection

Measure of the glitch impulse transferred from the digital input to the analog output during on/off switching.

### Off Isolation

Measure of unwanted signal coupling through an off switch.

### Crosstalk

Measure of unwanted signal that is coupled from one channel to another as a result of parasitic capacitance.

### -3 dB Bandwidth

Frequency at which the output is attenuated by 3 dB.

### On Response

Frequency response of the on switch.

### Insertion Loss

The loss due to the on resistance of the switch.

### THD + N

Ratio of the harmonics amplitude plus noise of a signal to the fundamental.

$T_{SKEW}$

The measure of the variation in propagation delay between each channel.

OUTLINE DIMENSIONS

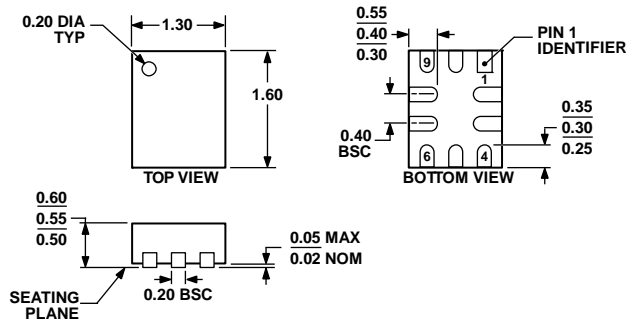
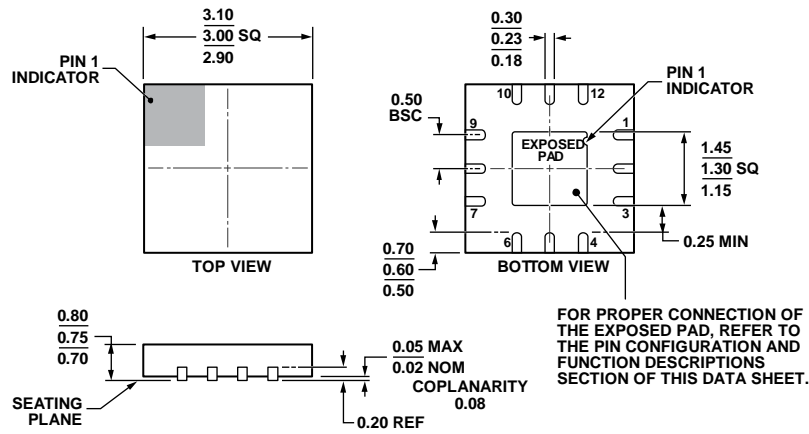


Figure 31. 10-Lead Mini Lead Frame Chip Scale Package [LFCSP]  
1.30 mm × 1.60 mm Body and 0.55 mm Package Height  
(CP-10-10)  
Dimensions shown in millimeters



COMPLIANT TO JEDEC STANDARDS MO-220-WEED.  
Figure 32. 12-Lead Lead Frame Chip Scale Package [LFCSP]  
3 mm × 3 mm Body and 0.75 mm Package Height  
(CP-12-4)  
Dimensions shown in millimeters

ORDERING GUIDE

Model <sup>1</sup>	Temperature Range	Package Description	Package Option	Branding
ADG772BCPZ-1REEL	-40°C to +85°C	12-Lead Lead Frame Chip Scale Package [LFCSP]	CP-12-4	S2P
ADG772BCPZ-REEL7	-40°C to +85°C	10-Lead Mini Lead Frame Chip Scale Package [LFCSP]	CP-10-10	B
EVAL-ADG772EBZ	-40°C to +85°C	Evaluation Board		

<sup>1</sup> Z = RoHS Compliant Part.



Компания «ЭлектроПласт» предлагает заключение долгосрочных отношений при поставках импортных электронных компонентов на взаимовыгодных условиях!

Наши преимущества:

- Оперативные поставки широкого спектра электронных компонентов отечественного и импортного производства напрямую от производителей и с крупнейших мировых складов;
- Поставка более 17-ти миллионов наименований электронных компонентов;
- Поставка сложных, дефицитных, либо снятых с производства позиций;
- Оперативные сроки поставки под заказ (от 5 рабочих дней);
- Экспресс доставка в любую точку России;
- Техническая поддержка проекта, помощь в подборе аналогов, поставка прототипов;
- Система менеджмента качества сертифицирована по Международному стандарту ISO 9001;
- Лицензия ФСБ на осуществление работ с использованием сведений, составляющих государственную тайну;
- Поставка специализированных компонентов (Xilinx, Altera, Analog Devices, Intersil, Interpoint, Microsemi, Aeroflex, Peregrine, Syfer, Eurofarad, Texas Instrument, Miteq, Cobham, E2V, MA-COM, Hittite, Mini-Circuits, General Dynamics и др.);

Помимо этого, одним из направлений компании «ЭлектроПласт» является направление «Источники питания». Мы предлагаем Вам помощь Конструкторского отдела:

- Подбор оптимального решения, техническое обоснование при выборе компонента;
- Подбор аналогов;
- Консультации по применению компонента;
- Поставка образцов и прототипов;
- Техническая поддержка проекта;
- Защита от снятия компонента с производства.



#### Как с нами связаться

**Телефон:** 8 (812) 309 58 32 (многоканальный)

**Факс:** 8 (812) 320-02-42

**Электронная почта:** [org@eplast1.ru](mailto:org@eplast1.ru)

**Адрес:** 198099, г. Санкт-Петербург, ул. Калинина, дом 2, корпус 4, литера А.