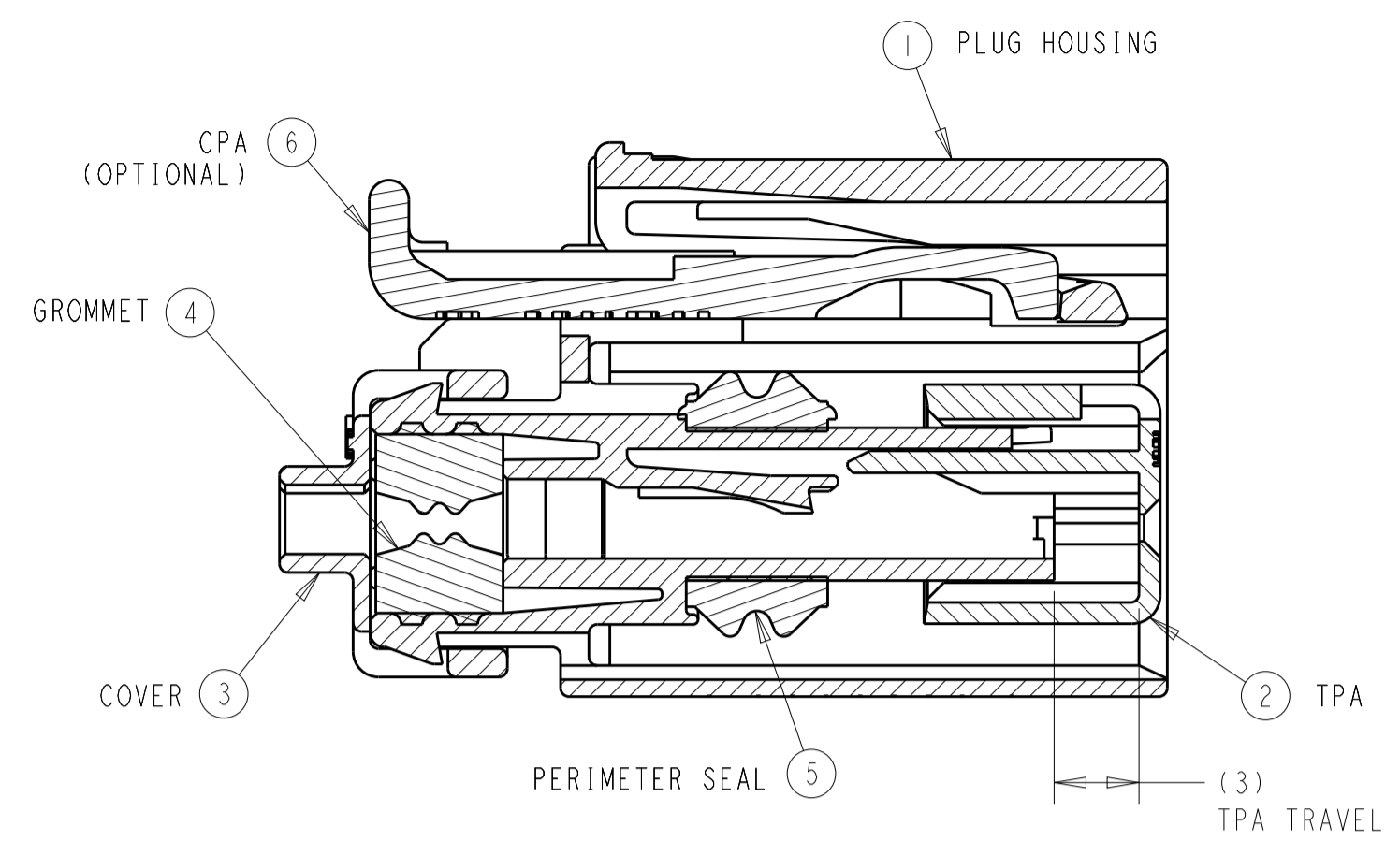
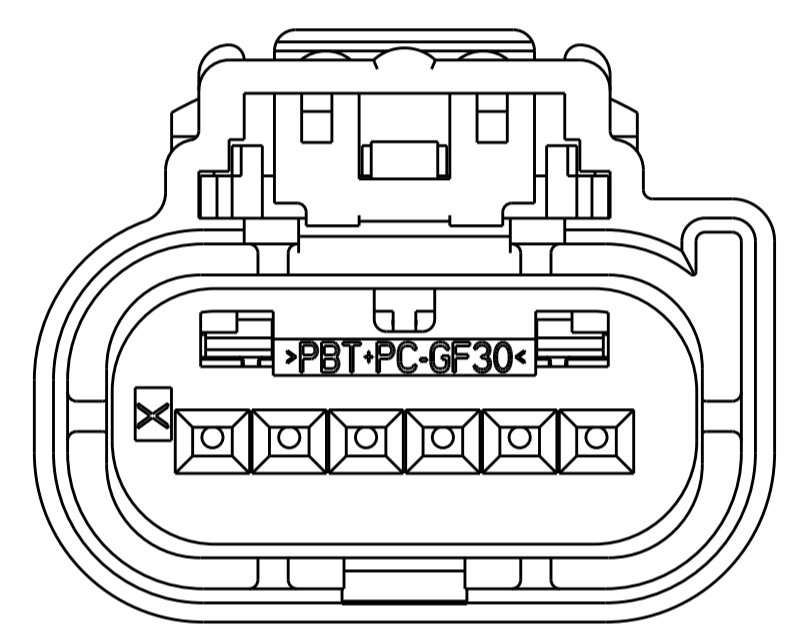
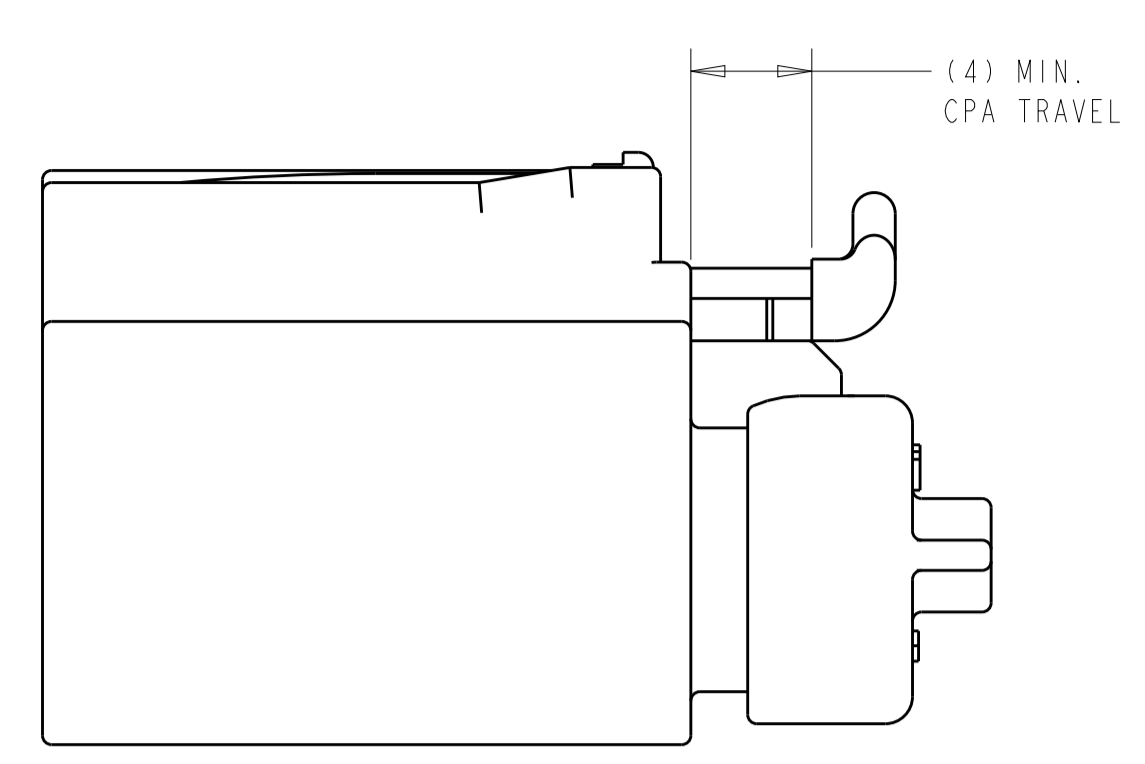
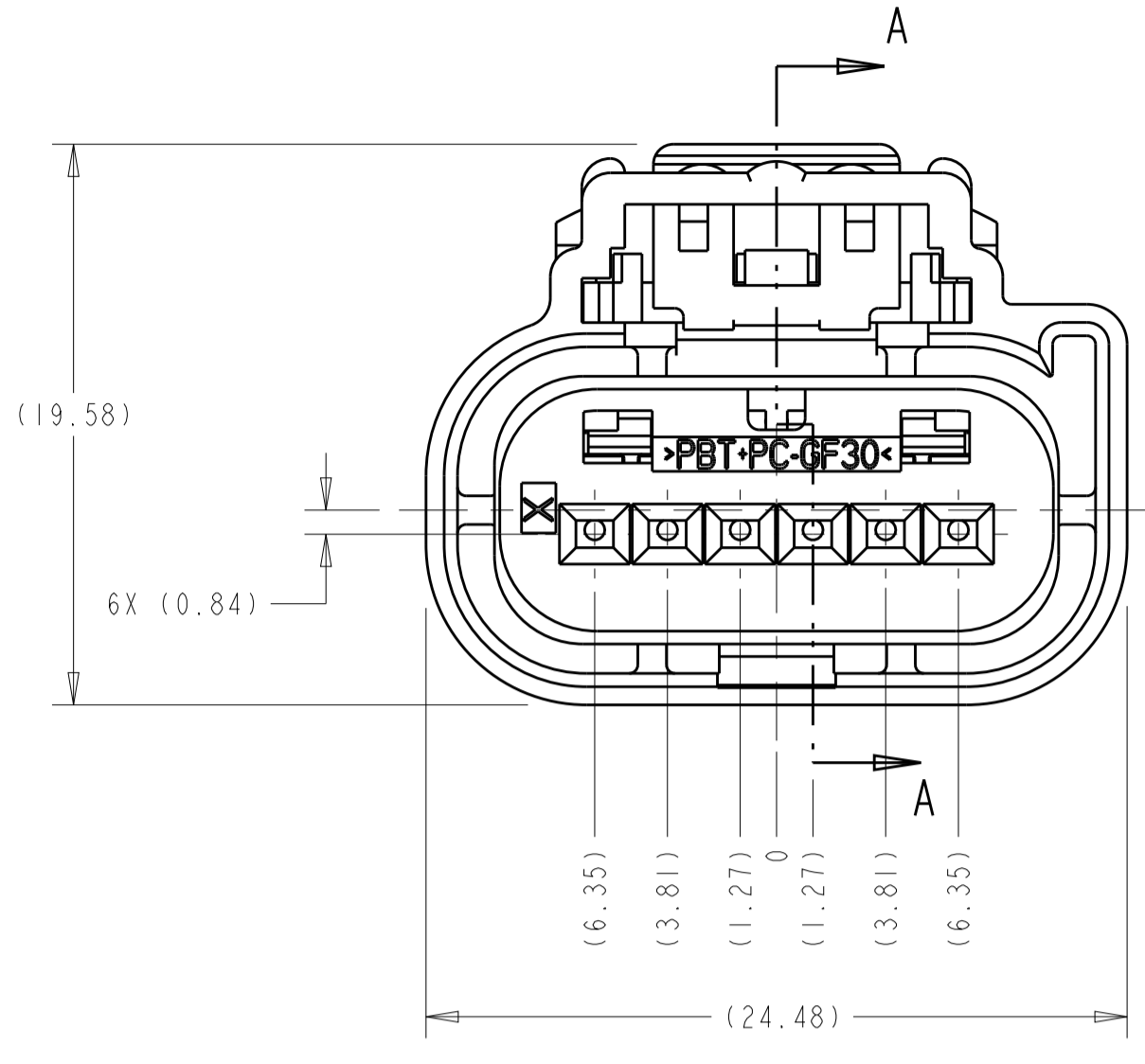


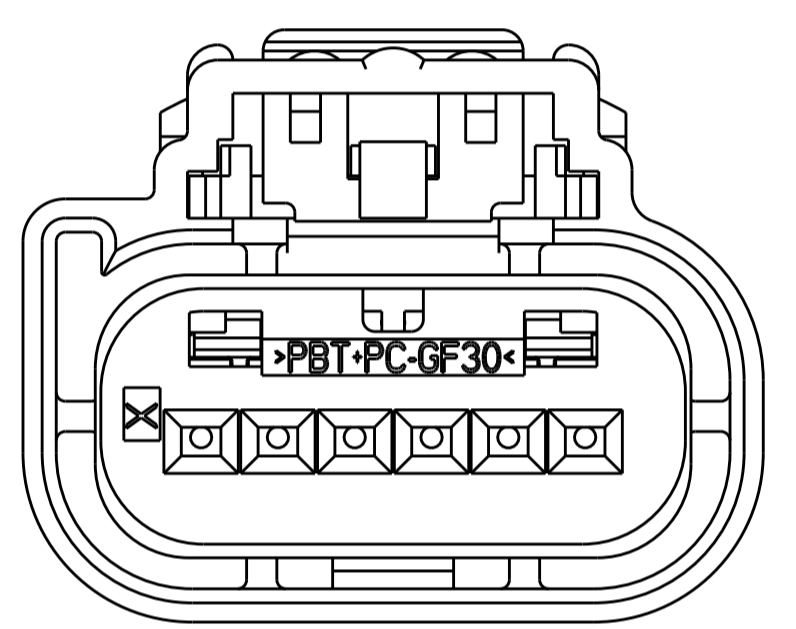
LOC		DIST		REVISIONS			
FX	00	P	LTN	DESCRIPTION	DATE	DWN	APVD
		U4		REVISED PER ECO-11-005030	11MAR2011	RK	HMR
		V		REVISED PER ECO-11-009058	02MAY2011	DLD	WTW
		V1		REVISED PER ECO-12-012119	05JUL2012	DLD	DCM



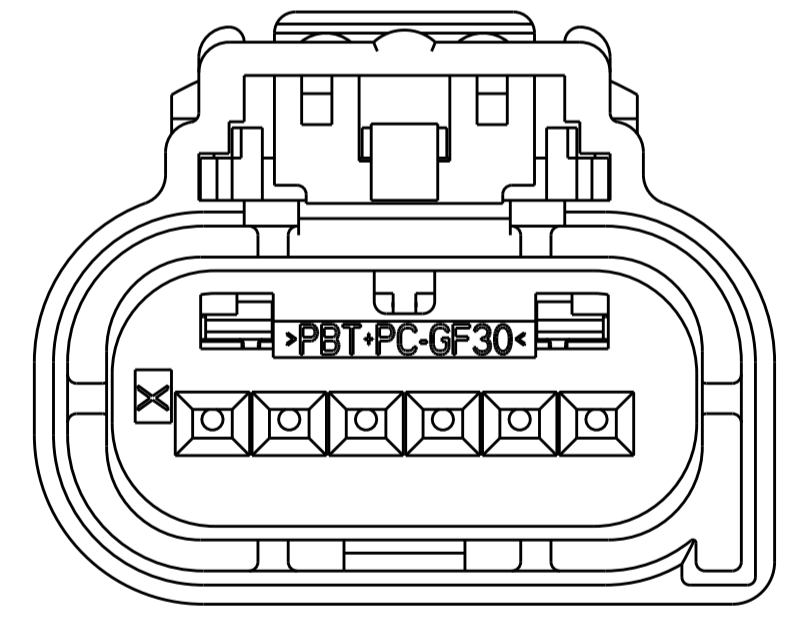
SECTION A-A
 SHOWN WITH TPA
 AND CPA (OPTIONAL) IN
 THEIR PRE-LOADED POSITION
 (DELIVERY CONDITION)



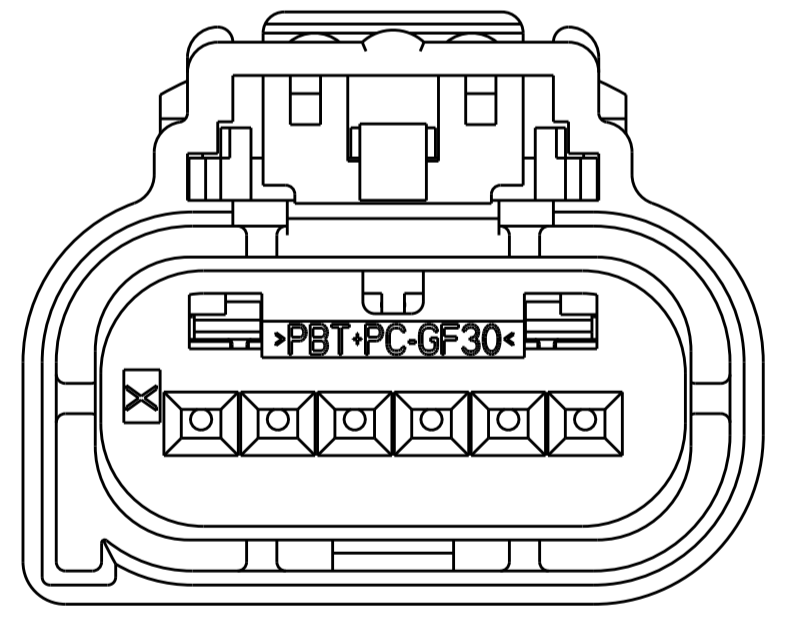
KEYING OPTION "A"



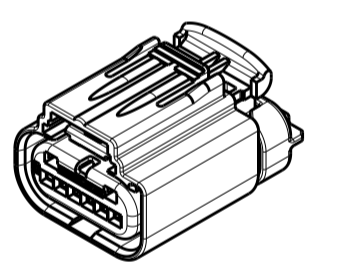
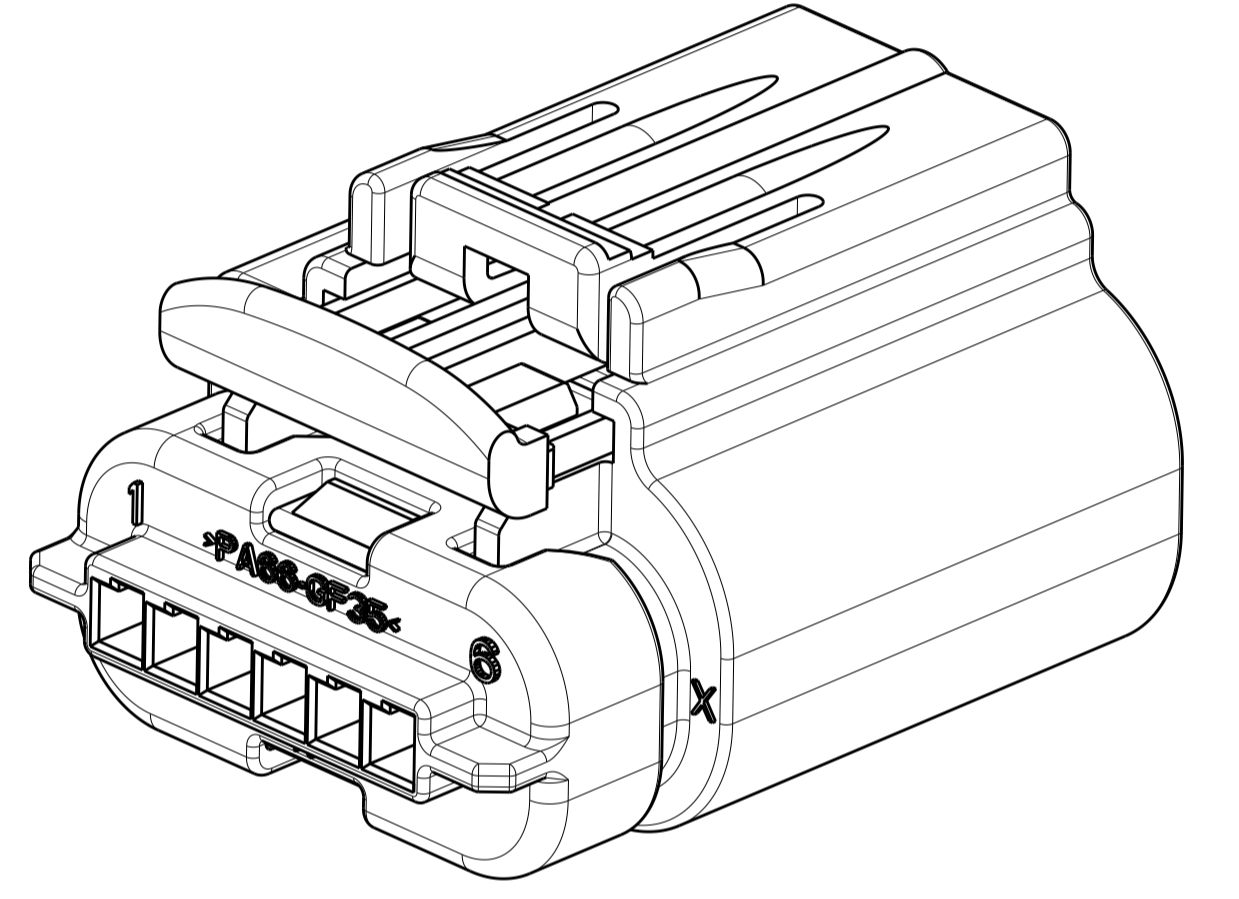
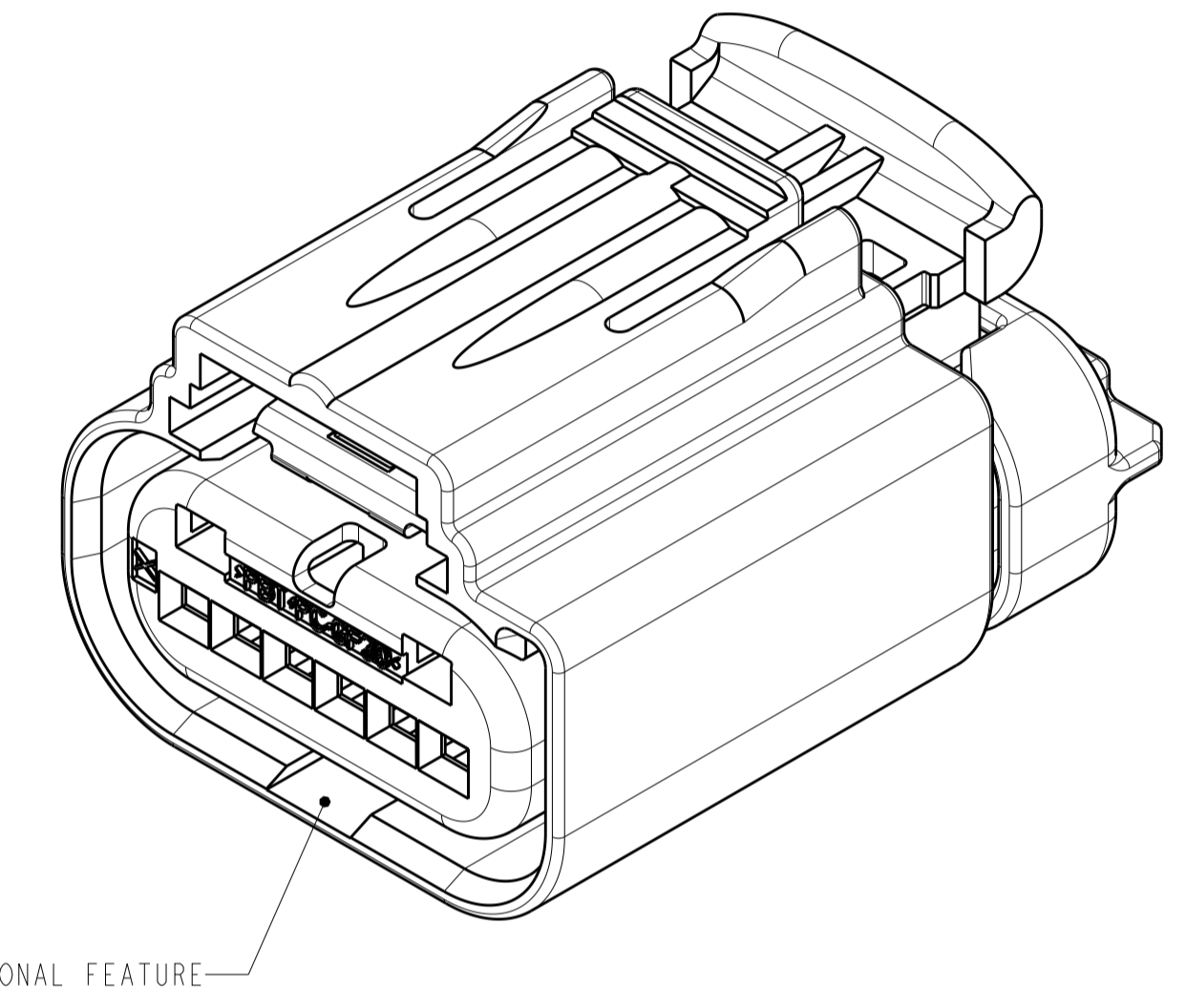
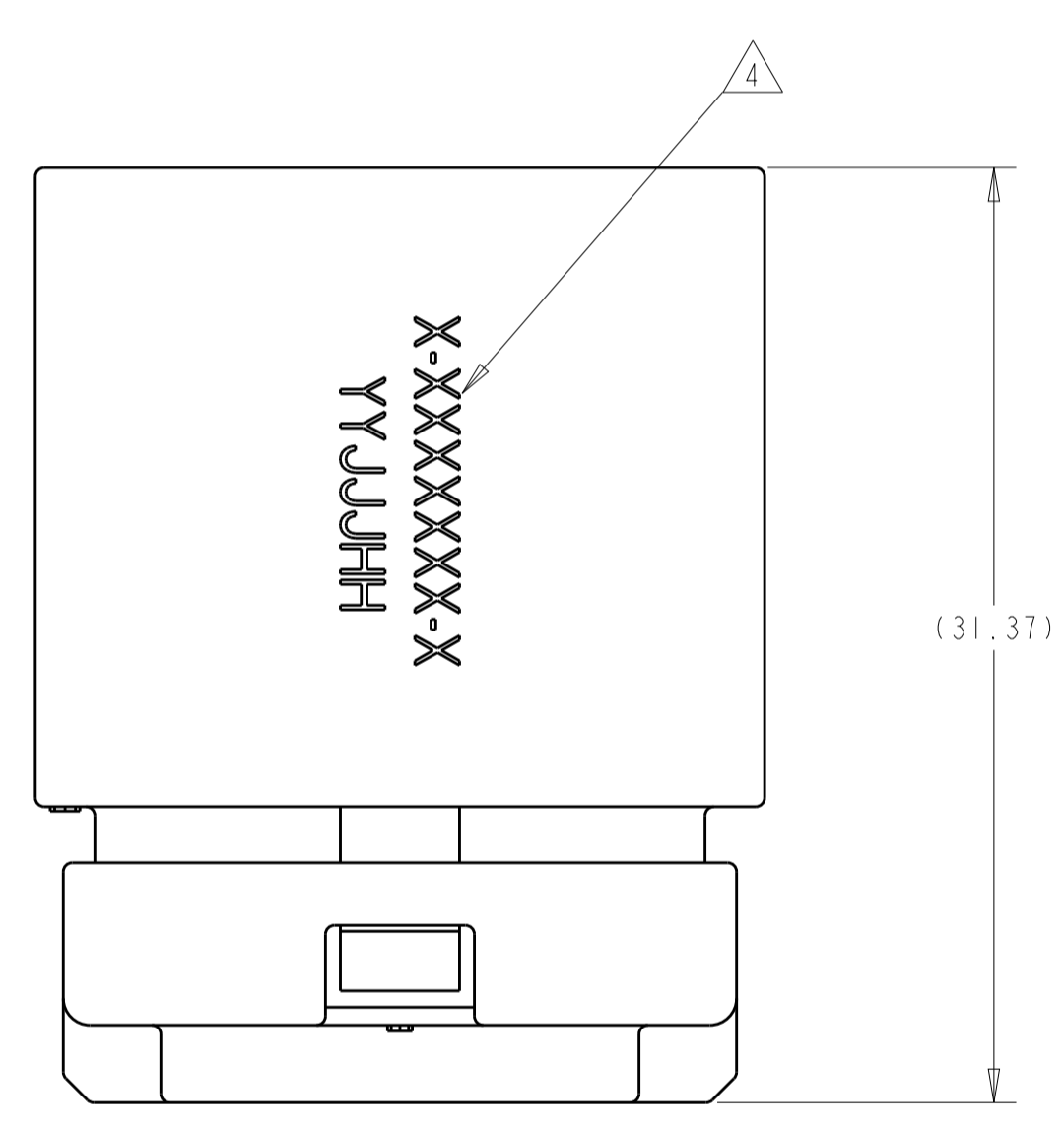
KEYING OPTION "B"



KEYING OPTION "C"



KEYING OPTION "D"



SCALE 1:1

KEYING OPTION "A" SHOWN
 SEE NOTE 5 FOR APPLICABLE HEADER
 INTERFACE INFORMATION

1. APPLICABLE TERMINAL PART NUMBERS (SOLD SEPARATELY):
 FOR TIN APPLICATIONS: 1393367 AND 1393366.
 FOR GOLD APPLICATIONS: 1393365 AND 1393364.
 FOR TERMINATION AND REELING OPTIONS
 SEE DRAWINGS 1393367, 1393366, 1393365, AND 1393364.

2. COMPATIBLE WIRE SIZES FOR MAT SEAL DESIGN 1.19 TO 2.06 O.D.
 (22-18 AWG, 0.35-0.75 mm²)

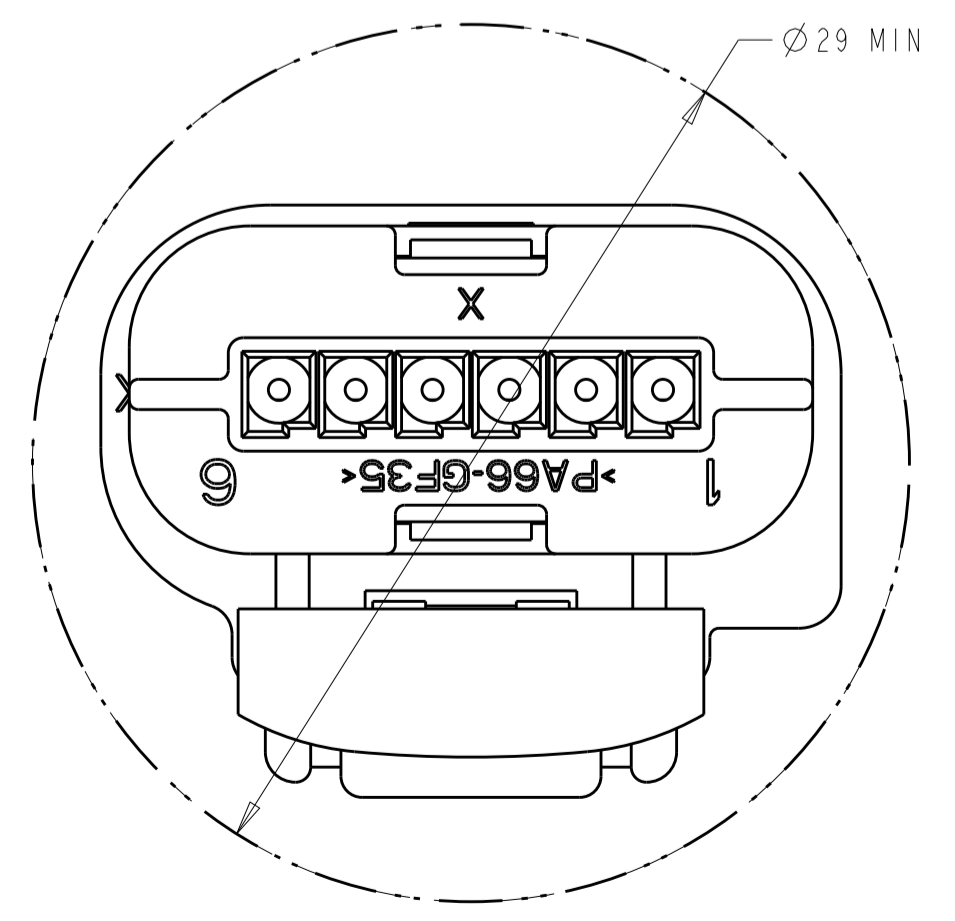
3. TPA IS SHIPPED IN PRE-LOADED POSITION. SOME TPA'S MAY BECOME FULLY
 SEATED DURING SHIPPING. USE TE CONNECTIVITY INSTRUCTION SHEET
 408-10128 TO REPOSITION TPA TO IT'S PRE-LOADED POSITION.

4. TE CONNECTIVITY ASSEMBLY PART NUMBER (X-XXXXXX-X) AND TRACEABILITY CODE
 (YY = TWO DIGIT YEAR, JJJ = JULIAN DAY, HH = TWO DIGIT MILITARY HOUR)
 ARE PRINTED IN THIS LOCATION.

5. APPLICABLE HEADER INTERFACE DRAWING 1438199 IS AVAILABLE UPON REQUEST.
 A COPY OF THIS DRAWING CAN BE OBTAINED FROM THE TE CONNECTIVITY
 PRODUCT MANAGER, VIA YOUR TE CONNECTIVITY SALES REPRESENTATIVE
 OR CUSTOMER SERVICE.

6. ASSEMBLIES ARE BULK PACKAGED.

7. OPTIONAL CPA IS SHIPPED IN IT'S PRE-LOADED POSITION.



MINIMUM FEED THROUGH CONDITION
 WITH 1mm CLEARANCE ALL AROUND

ITEM	DESCRIPTION	MATERIAL	COLOR
6	CPA	PBT-GF20	RED
5	PERIMETER SEAL	SILICONE	GREEN
4	GROMMET	SILICONE	BROWN
3	COVER	PA66-GF35	BLACK
2	TPA	PBT+PC-GF30	RED
1	PLUG WITH KEYING KEYING OPTION "D"	PA66-GF35	BLACK
1	PLUG WITH KEYING KEYING OPTION "C"	PA66-GF35	BLACK
1	PLUG WITH KEYING KEYING OPTION "B"	PA66-GF35	BLACK
1	PLUG WITH KEYING KEYING OPTION "A"	PA66-GF35	BLACK

<---- ASSEMBLY PART NUMBERS

THIS DRAWING IS A CONTROLLED DOCUMENT.		DWN: M. FORLSKA	15OCT2001
DIMENSIONS: mm		CHK: M. FORLSKA	15OCT2001
TOLERANCES UNLESS OTHERWISE SPECIFIED:		APVD: A. SHUMAN	15OCT2001
0 PLC	±	PRODUCT SPEC	
1 PLC	±0.3	APPLICATION SPEC	
2 PLC	±0.10	114-13150	
3 PLC	±	WEIGHT	
4 PLC	±	CUSTOMER DRAWING	
ANGLES	±	SCALE 4:1	
FINISH	±	SHEET 1 OF 2	

LOC	DIST	REVISIONS					
		P.	LTN	DESCRIPTION	DATE	DWN	APVD
FX	00	-	-	SEE SHEET 1	-	-	-

6	5	4	3	2	1	TE CONNECTIVITY ASSEMBLY PART NUMBER	FORD PART NUMBER
						1-1438153-9	---
6						1-1438153-3	3L2T-14A464-BA-006
			3			1-1438153-2	3L2T-14A464-BA-005
			3			1438153-9	3L2T-14A464-BA-004
		4				1438153-8	3L2T-14A464-BA-003
						1438153-4	3L2T-14A464-BA-002
6						1438153-1	3L2T-14A464-BA-001
						1-1419168-1	3L2T-14A464-BA-000
6	5	4	3	2	1	TE CONNECTIVITY ASSEMBLY PART NUMBER	FORD PART NUMBER
CAVITIES WITH A NUMBER INDICATES CLOSED TERMINAL HOLE LOCATION							
BLANK CAVITIES INDICATES OPEN TERMINAL HOLE LOCATION							
KEY A, WITH CPA							

6	5	4	3	2	1	TE CONNECTIVITY ASSEMBLY PART NUMBER	FORD PART NUMBER
						1-1438153-6	3W4T-14A464-VA-007
6	5		3			1-1438153-5	3W4T-14A464-VA-006
6				2		1-1438153-4	3W4T-14A464-VA-005
	5					1-1438153-1	3W4T-14A464-VA-004
		4				1-1438153-0	---
						1438153-6	3W4T-14A464-VA-003
6						1438153-5	3W4T-14A464-VA-002
6		4				1438153-2	3W4T-14A464-VA-001
						1-1419168-2	3W4T-14A464-VA-000
6	5	4	3	2	1	TE CONNECTIVITY ASSEMBLY PART NUMBER	FORD PART NUMBER
CAVITIES WITH A NUMBER INDICATES CLOSED TERMINAL HOLE LOCATION							
BLANK CAVITIES INDICATES OPEN TERMINAL HOLE LOCATION							
KEY B, WITH CPA							

6	5	4	3	2	1	TE CONNECTIVITY ASSEMBLY PART NUMBER	FORD PART NUMBER
						1-1438153-8	9U5T-14A464-GAA-003
6						1-1438153-7	9U5T-14A464-GAA-002
6						1-1419168-5	9U5T-14A464-GAA-001
						1-1419168-3	9U5T-14A464-GAA
6	5	4	3	2	1	TE CONNECTIVITY ASSEMBLY PART NUMBER	FORD PART NUMBER
CAVITIES WITH A NUMBER INDICATES CLOSED TERMINAL HOLE LOCATION							
BLANK CAVITIES INDICATES OPEN TERMINAL HOLE LOCATION							
KEY C, WITH CPA							


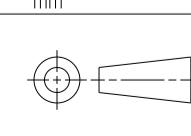
6	5	4	3	2	1	TE CONNECTIVITY ASSEMBLY PART NUMBER	FORD PART NUMBER
						1438153-3	3L2T-14A464-GA-001
						1419168-7	3L2T-14A464-GA-000
6	5	4	3	2	1	TE CONNECTIVITY ASSEMBLY PART NUMBER	FORD PART NUMBER
CAVITIES WITH A NUMBER INDICATES CLOSED TERMINAL HOLE LOCATION							
BLANK CAVITIES INDICATES OPEN TERMINAL HOLE LOCATION							
KEY A, NO CPA							

6	5	4	3	2	1	TE CONNECTIVITY ASSEMBLY PART NUMBER	FORD PART NUMBER
6						1438153-7	4L5T-14A464-BA-001
						1419168-8	4L5T-14A464-BA-000
6	5	4	3	2	1	TE CONNECTIVITY ASSEMBLY PART NUMBER	FORD PART NUMBER
CAVITIES WITH A NUMBER INDICATES CLOSED TERMINAL HOLE LOCATION							
BLANK CAVITIES INDICATES OPEN TERMINAL HOLE LOCATION							
KEY B, NO CPA							

6	5	4	3	2	1	TE CONNECTIVITY ASSEMBLY PART NUMBER	FORD PART NUMBER
						1419168-9	---
6	5	4	3	2	1	TE CONNECTIVITY ASSEMBLY PART NUMBER	FORD PART NUMBER
CAVITIES WITH A NUMBER INDICATES CLOSED TERMINAL HOLE LOCATION							
BLANK CAVITIES INDICATES OPEN TERMINAL HOLE LOCATION							
KEY C, NO CPA							

6	5	4	3	2	1	TE CONNECTIVITY ASSEMBLY PART NUMBER	FORD PART NUMBER
						1-1419168-0	---
6	5	4	3	2	1	TE CONNECTIVITY ASSEMBLY PART NUMBER	FORD PART NUMBER
CAVITIES WITH A NUMBER INDICATES CLOSED TERMINAL HOLE LOCATION							
BLANK CAVITIES INDICATES OPEN TERMINAL HOLE LOCATION							
KEY D, NO CPA							

PINOUT CHARTS

THIS DRAWING IS A CONTROLLED DOCUMENT.		DWN M. FORLSKA 15OCT2001	
DIMENSIONS: mm		CHK M. FORLSKA 15OCT2001	
		APVD A. SHUMAN 15OCT2001	NAME I X 6 SEALED CONNECTOR HARNESS ASSEMBLY
TOLERANCES UNLESS OTHERWISE SPECIFIED:		PRODUCT SPEC	SIZE CAGE CODE DRAWING NO RESTRICTED TO
0 PLC ±		APPLICATION SPEC	A1 00779 C=1-1419168-1
1 PLC ±0.3		WEIGHT	SCALE 4:1 SHEET 2 OF 2 REV I
2 PLC ±		CUSTOMER DRAWING	
3 PLC ±			
4 PLC ±			
ANGLES ±			
FINISH			



Компания «ЭлектроПласт» предлагает заключение долгосрочных отношений при поставках импортных электронных компонентов на взаимовыгодных условиях!

Наши преимущества:

- Оперативные поставки широкого спектра электронных компонентов отечественного и импортного производства напрямую от производителей и с крупнейших мировых складов;
- Поставка более 17-ти миллионов наименований электронных компонентов;
- Поставка сложных, дефицитных, либо снятых с производства позиций;
- Оперативные сроки поставки под заказ (от 5 рабочих дней);
- Экспресс доставка в любую точку России;
- Техническая поддержка проекта, помощь в подборе аналогов, поставка прототипов;
- Система менеджмента качества сертифицирована по Международному стандарту ISO 9001;
- Лицензия ФСБ на осуществление работ с использованием сведений, составляющих государственную тайну;
- Поставка специализированных компонентов (Xilinx, Altera, Analog Devices, Intersil, Interpoint, Microsemi, Aeroflex, Peregrine, Syfer, Eurofarad, Texas Instrument, Miteq, Cobham, E2V, MA-COM, Hittite, Mini-Circuits, General Dynamics и др.);

Помимо этого, одним из направлений компании «ЭлектроПласт» является направление «Источники питания». Мы предлагаем Вам помощь Конструкторского отдела:

- Подбор оптимального решения, техническое обоснование при выборе компонента;
- Подбор аналогов;
- Консультации по применению компонента;
- Поставка образцов и прототипов;
- Техническая поддержка проекта;
- Защита от снятия компонента с производства.



Как с нами связаться

Телефон: 8 (812) 309 58 32 (многоканальный)

Факс: 8 (812) 320-02-42

Электронная почта: org@eplast1.ru

Адрес: 198099, г. Санкт-Петербург, ул. Калинина, дом 2, корпус 4, литера А.