

FEATURES

- 2 mA full-scale current $\pm 20\%$, with $V_{REF} = \pm 10\text{ V}$
- 0.9 μs settling time to $\pm 0.1\%$
- 12 MHz multiplying bandwidth
- Midscale glitch of -1 nV-sec
- Midscale or zero-scale reset
- 4 separate, 4-quadrant multiplying reference inputs
- SPI-compatible, 3-wire interface
- Double-buffered registers enable
- Simultaneous multichannel change
- Internal power-on reset
- Compact 28-lead SSOP

ENHANCED PRODUCT FEATURES

- Supports defense and aerospace applications (AQEC)
- Military temperature range (-55°C to $+125^\circ\text{C}$)
- Controlled manufacturing baseline
- 1 assembly/test site
- 1 fabrication site
- Enhanced product change notification
- Qualification data available on request

APPLICATIONS

- Automatic test equipment
- Instrumentation
- Digitally controlled calibration

GENERAL DESCRIPTION

The **AD5544-EP** quad, 16-bit, current output, digital-to-analog converter (DAC) is designed to operate from a 2.7 V to 5.5 V supply range.

The applied external reference input voltage (V_{REFx}) determines the full-scale output current. Integrated feedback resistors (R_{FB}) provide temperature-tracking, full-scale voltage outputs when combined with an external I-to-V precision amplifier.

A double-buffered serial data interface offers high speed, 3-wire, SPI- and microcontroller-compatible inputs using serial data in (SDI), a chip select (\overline{CS}), and clock (CLK) signals. In addition, a serial data out pin (SDO) allows for daisy chaining when multiple

FUNCTIONAL BLOCK DIAGRAM

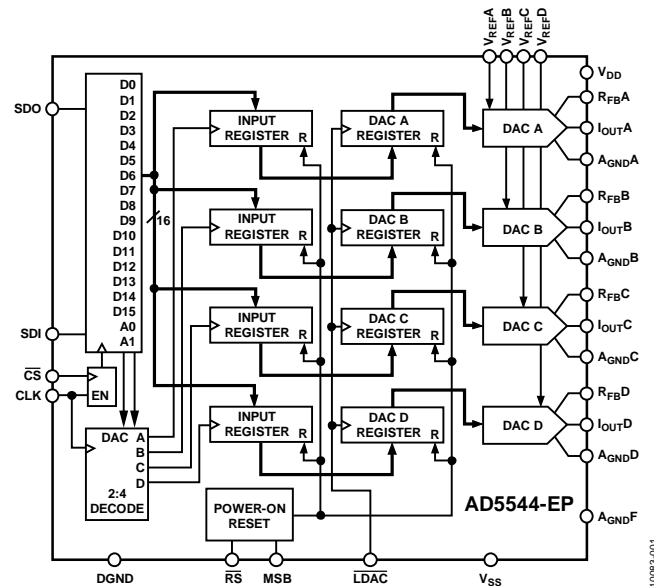


Figure 1.

packages are used. A common, level-sensitive, load DAC strobe (\overline{LDAC}) input allows the simultaneous update of all DAC outputs from previously loaded input registers. Additionally, an internal power-on reset forces the output voltage to 0 at system turn-on. The MSB pin allows system reset assertion (\overline{RS}) to force all registers to zero code when $\overline{MSB} = 0$ or to half-scale code when $\overline{MSB} = 1$. The **AD5544-EP** is packaged in the compact 28-lead SSOP.

Additional application and technical information can be found in the [AD5544](#) data sheet.

Rev. 0

Information furnished by Analog Devices is believed to be accurate and reliable. However, no responsibility is assumed by Analog Devices for its use, nor for any infringements of patents or other rights of third parties that may result from its use. Specifications subject to change without notice. No license is granted by implication or otherwise under any patent or patent rights of Analog Devices. Trademarks and registered trademarks are the property of their respective owners.

TABLE OF CONTENTS

Features	1	Absolute Maximum Ratings	5
Enhanced Product Features	1	ESD Caution.....	5
Applications.....	1	Pin Configuration and Function Descriptions.....	6
Functional Block Diagram	1	Typical Performance Characteristics	8
General Description	1	Outline Dimensions	10
Revision History	2	Ordering Guide	10
Specifications.....	3		
Timing Diagrams.....	4		

REVISION HISTORY

4/12—Revision 0: Initial Version

SPECIFICATIONS

$V_{DD} = 2.7 \text{ V to } 5.5 \text{ V}$, $V_{SS} = 0 \text{ V}$, $I_{OUTX} = \text{virtual GND}$, $A_{GNDX} = 0 \text{ V}$, $V_{REFA} = V_{REFB} = V_{REFC} = V_{REFD} = 10 \text{ V}$, $T_A = \text{full operating temperature range of } -55^\circ\text{C to } +125^\circ\text{C}$, unless otherwise noted.

Table 1.

Parameter	Symbol	Test Condition/Comments	Min	Typ	Max	Unit
STATIC PERFORMANCE¹						
Resolution	N	1 LSB = $V_{REFX}/2^{16} = 153 \mu\text{V}$ when $V_{REF} = 10 \text{ V}$			16	Bits
Relative Accuracy	INL				± 1.5	LSB
Differential Nonlinearity	DNL				± 1.5	LSB
Output Leakage Current	I_{OUTX}	Data = 0x0000, $T_A = 25^\circ\text{C}$ Data = 0x0000, $T_A = 85^\circ\text{C}$			10 20	nA nA
Full-Scale Gain Error	G_{FSE}	Data = 0xFFFF		± 0.75	± 4	mV
Full-Scale Tempco ²	TCV_{FS}			1		ppm/ $^\circ\text{C}$
Feedback Resistor	R_{FBX}	$V_{DD} = 5 \text{ V}$	4	6	8	k Ω
REFERENCE INPUT						
V_{REFX} Range	V_{REFX}		-15		+15	V
Input Resistance	R_{REFX}		4	6	8	k Ω
Input Resistance Match	R_{REFX}	Channel-to-channel		0.35		%
Input Capacitance ²	C_{REFX}			5		pF
ANALOG OUTPUT						
Output Current	I_{OUTX}	Data = 0xFFFF	1.25		2.5	mA
Output Capacitance ²	C_{OUTX}	Code dependent		35		pF
LOGIC INPUT AND OUTPUT						
Logic Input Low Voltage	V_{IL}				0.8	V
Logic Input High Voltage	V_{IH}		2.4			V
Input Leakage Current	I_{IL}				1	μA
Input Capacitance ²	C_{IL}				10	pF
Logic Output Low Voltage	V_{OL}	$I_{OL} = 1.6 \text{ mA}$			0.4	V
Logic Output High Voltage	V_{OH}	$I_{OH} = 100 \mu\text{A}$	4			V
INTERFACE TIMING^{2, 3}						
Clock Width High	t_{CH}		25			ns
Clock Width Low	t_{CL}		25			ns
$\overline{\text{CS}}$ to Clock Setup	t_{CSS}		0			ns
Clock to $\overline{\text{CS}}$ Hold	t_{CSH}		25			ns
Clock to SDO Propagation Delay	t_{PD}		2		20	ns
Load DAC Pulse Width	t_{LDAC}		25			ns
Data Setup	t_{DS}		20			ns
Data Hold	t_{DH}		20			ns
Load Setup	t_{LDS}		5			ns
Load Hold	t_{LDH}		25			ns
SUPPLY CHARACTERISTICS						
Power Supply Range	$V_{DD \text{ RANGE}}$		2.7		5.5	V
Positive Supply Current	I_{DD}	Logic inputs = 0 V			5	μA
Negative Supply Current	I_{SS}	Logic inputs = 0 V, $V_{SS} = -5 \text{ V}$		0.001	9	μA
Power Dissipation	P_{DISS}	Logic inputs = 0 V			1.25	mW
Power Supply Sensitivity	PSS	$\Delta V_{DD} = \pm 5\%$			0.006	%/%

Parameter	Symbol	Test Condition/Comments	Min	Typ	Max	Unit
AC CHARACTERISTICS ⁴						
Output Voltage Settling Time	t_s	To $\pm 0.1\%$ of full scale, data = 0x0000 to 0xFFFF to 0x0000		0.9		μs
Reference Multiplying Bandwidth (BW)	BW – 3 dB	$V_{REFX} = 5 V$ p-p, data = 0xFFFF, $C_{FB} = 2.0 pF$,		12		MHz
DAC Glitch Impulse	Q	$V_{REFX} = 8 V$, data = 0x0000 to 0x8000 to 0x0000		-1		nV-sec
Feedthrough Error	V_{OUTX}/V_{REFX}	Data = 0x0000, $V_{REFX} = 100 mV$ rms, $f = 100 kHz$		-65		dB
Crosstalk Error	V_{OUTA}/V_{REFB}	Data = 0x0000, $V_{REFB} = 100 mV$ rms, adjacent channel, $f = 100 kHz$		-90		dB
Digital Feedthrough	Q	$\overline{CS} = 1$, $f_{CLK} = 1 MHz$		0.6		nV-sec
Total Harmonic Distortion	THD	$V_{REFX} = 5 V$ p-p, data = 0xFFFF, $f = 1 kHz$		-98		dB
Output Spot Noise Voltage	e_N	$f = 1 kHz$, BW = 1 Hz		7		nV/ \sqrt{Hz}

¹ All static performance tests (except I_{OUTX}) are performed in a closed-loop system using an external precision OP177 I-to-V converter amplifier. The AD5544 R_{FB} terminal is tied to the amplifier output. Typical values represent average readings measured at 25°C.

² These parameters are guaranteed by design and not subject to production testing.

³ All input control signals are specified with $t_r = t_f = 2.5 ns$ (10% to 90% of 3 V) and timed from a voltage level of 1.5 V.

⁴ All ac characteristic tests are performed in a closed-loop system using an AD8038 I-to-V converter amplifier.

TIMING DIAGRAMS

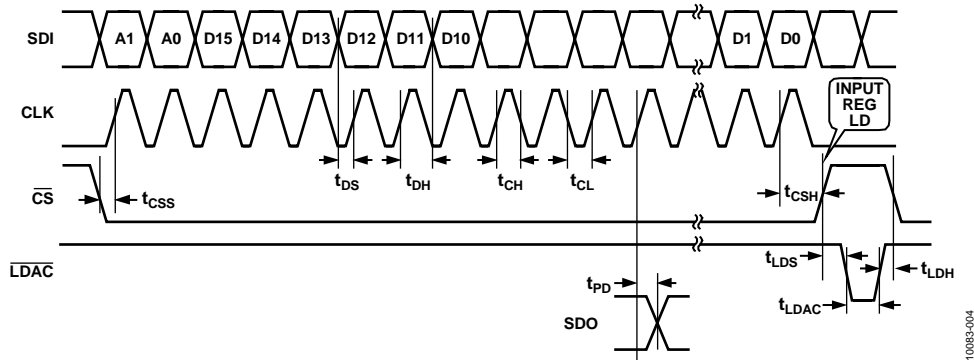


Figure 2. Timing Diagram

ABSOLUTE MAXIMUM RATINGS

Table 2.

Parameter	Rating
V_{DD} to GND	-0.3 V, +8 V
V_{SS} to GND	+0.3 V, -7 V
V_{REFX} to GND	-18 V, +18 V
Logic Input and Output to GND	-0.3 V, +8 V
$V(I_{OUTX})$ to GND	-0.3 V, $V_{DD} + 0.3$ V
A_{GNDX} to DGND	-0.3 V, +0.3 V
Input Current to Any Pin Except Supplies	±50 mA
Package Power Dissipation	$(T_J \text{ max} - T_A)/\theta_{JA}$
Thermal Resistance	θ_{JA}
28-Lead SSOP	100°C/W
32-Lead LFCSP	32.5°C/W
Maximum Junction Temperature (T_J Max)	150°C
Operating Temperature Range, Enhanced Product (EP Version)	-55°C to +125°C
Storage Temperature Range	-65°C to +150°C
Lead Temperature	
Vapor Phase, 60 Sec	215°C
Infrared, 15 Sec	220°C

Stresses above those listed under Absolute Maximum Ratings may cause permanent damage to the device. This is a stress rating only; functional operation of the device at these or any other conditions above those indicated in the operational sections of this specification is not implied. Exposure to absolute maximum rating conditions for extended periods may affect device reliability.

ESD CAUTION



ESD (electrostatic discharge) sensitive device. Charged devices and circuit boards can discharge without detection. Although this product features patented or proprietary protection circuitry, damage may occur on devices subjected to high energy ESD. Therefore, proper ESD precautions should be taken to avoid performance degradation or loss of functionality.

PIN CONFIGURATION AND FUNCTION DESCRIPTIONS

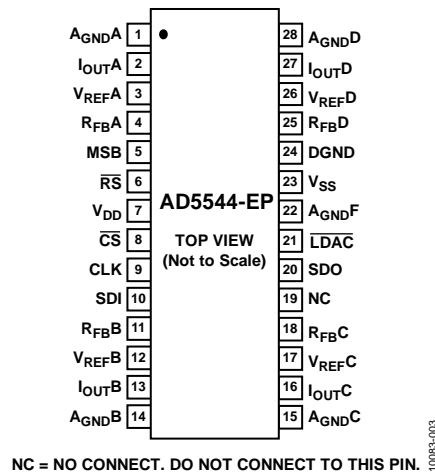


Figure 3. Pin Configuration

Table 3. Pin Function Descriptions

Pin No.	Mnemonic	Description
1	A _{GND} A	DAC A Analog Ground.
2	I _{OUT} A	DAC A Current Output.
3	V _{REF} A	DAC A Reference Voltage Input Terminal. Establishes DAC A full-scale output voltage. This pin can be tied to the V _{DD} pin.
4	R _{FB} A	Establish the voltage output for DAC A by connecting to an external amplifier output.
5	MSB	MSB Pin. Set pin during a reset pulse (\overline{RS}) or at system power-on if tied to ground or V _{DD} .
6	\overline{RS}	Reset Pin, Active Low Input. Input registers and DAC registers are set to all 0s or half-scale code, determined by the voltage on the MSB pin. Register data = 0x0000 when MSB = 0.
7	V _{DD}	Positive Power Supply Input. Specified range of operation: 5 V ± 10%.
8	\overline{CS}	Chip Select, Active Low Input. Disables shift register loading when high. Transfers serial register data to the input register when \overline{CS} /LDAC returns high. Does not affect LDAC operation.
9	CLK	Clock Input. Positive edge clocks data into the shift register.
10	SDI	Serial Data Input. Input data loads directly into the shift register.
11	R _{FB} B	Establish the voltage output for DAC B by connecting to an external amplifier output.
12	V _{REF} B	DAC B Reference Voltage Input Terminal. Establishes DAC B full-scale output voltage. This pin can be tied to the V _{DD} pin.
13	I _{OUT} B	DAC B Current Output.
14	A _{GND} B	DAC B Analog Ground.
15	A _{GND} C	DAC C Analog Ground.
16	I _{OUT} C	DAC C Current Output.
17	V _{REF} C	DAC C Reference Voltage Input Terminal. Establishes DAC C full-scale output voltage. This pin can be tied to the V _{DD} pin.
18	R _{FB} C	Establish the voltage output for DAC C by connecting to an external amplifier output.
19	NC	No Connect. Do not connect to this pin.
20	SDO	Serial Data Output. Input data loads directly into the shift register. Data appears at SDO at 19 clock pulses for the AD5544-EP after input at the SDI pin.
21	\overline{LDAC}	Load DAC Register Strobe, Level Sensitive Active Low. Transfers all input register data to DAC registers. Asynchronous active low input.
22	A _{GND} F	High Current Analog Force Ground.
23	V _{SS}	Negative Bias Power Supply Input. Specified range of operation: -5.5 V to +0.3 V.
24	DGND	Digital Ground Pin.
25	R _{FB} D	Establish the voltage output for DAC D by connecting to an external amplifier output.

Pin No.	Mnemonic	Description
26	V_{REFD}	DAC D Reference Voltage Input Terminal. Establishes DAC D full-scale output voltage. This pin can be tied to the V_{DD} pin.
27	I_{OUTD}	DAC D Current Output.
28	$A_{GND D}$	DAC D Analog Ground.

TYPICAL PERFORMANCE CHARACTERISTICS

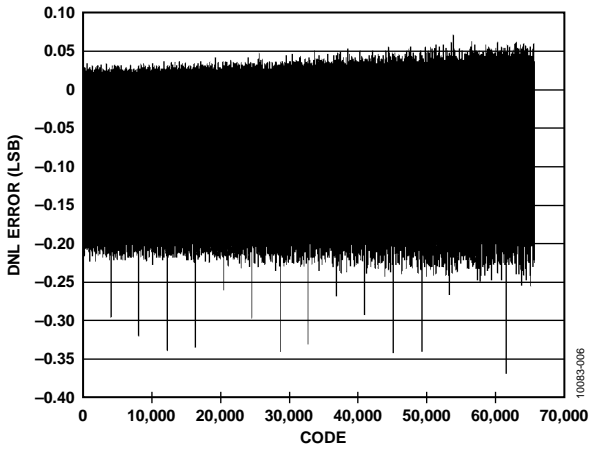


Figure 4. DNL Error vs. Code, $T_A = 25^\circ\text{C}$

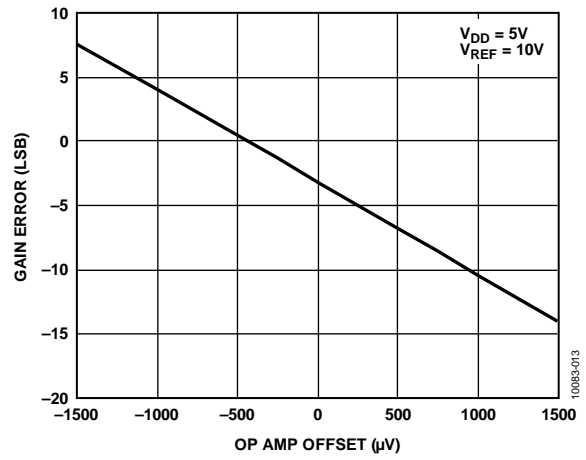


Figure 7. Gain Error vs. Op Amp Offset

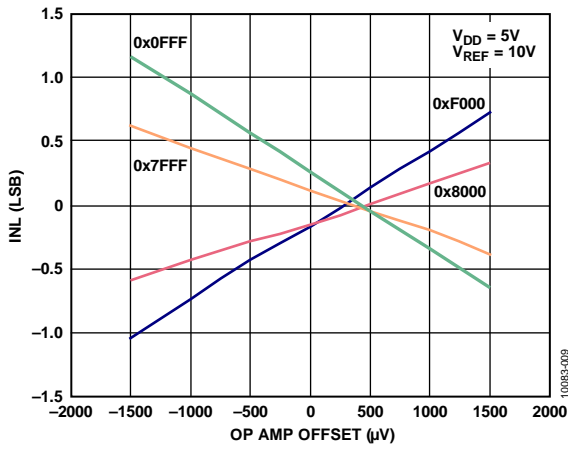


Figure 5. INL Error vs. Op Amp Offset

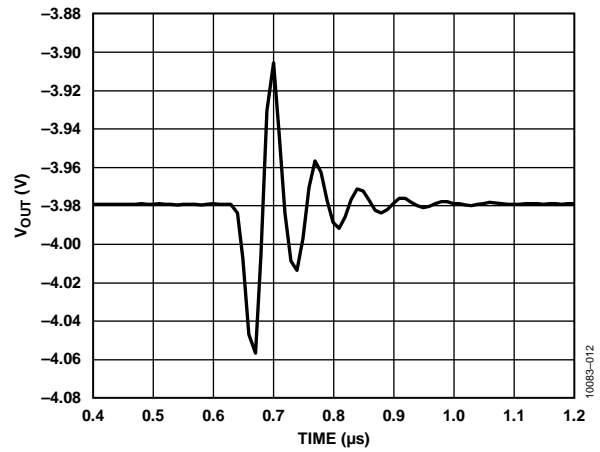


Figure 8. Midscale Transition

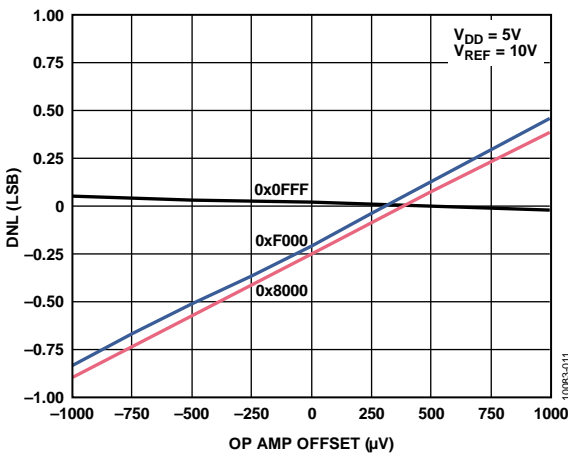


Figure 6. DNL Error vs. Op Amp Offset

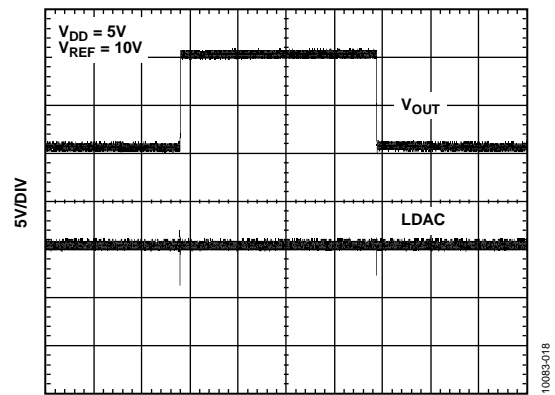


Figure 9. Large Signal Settling Time

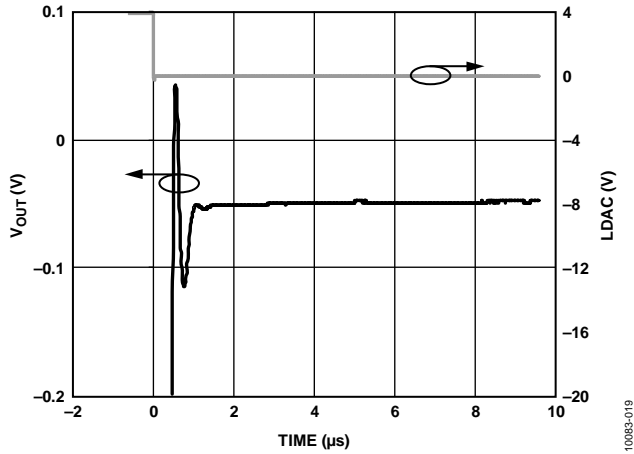


Figure 10. Small Signal Settling Time

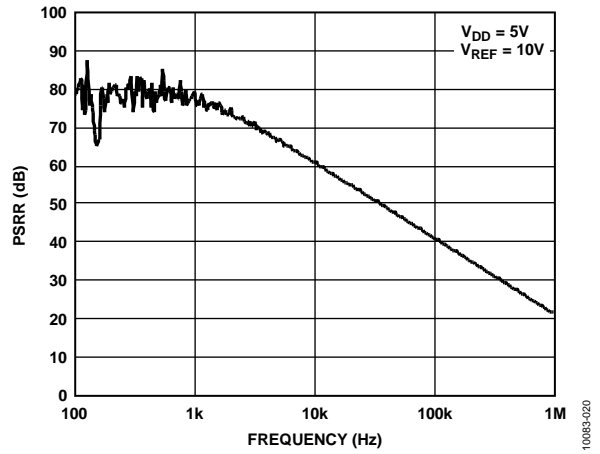


Figure 12. Power Supply Rejection vs. Frequency

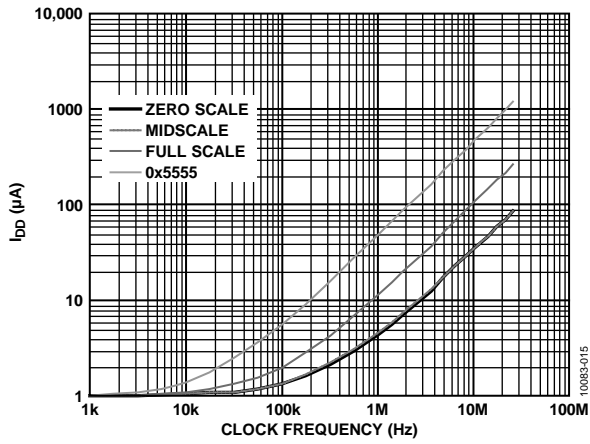


Figure 11. Power Supply Current vs. Clock Frequency

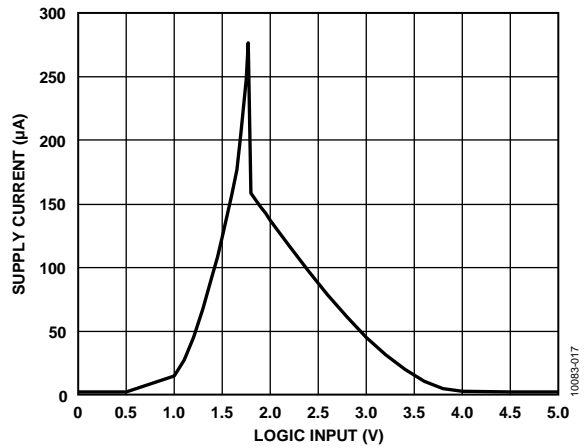
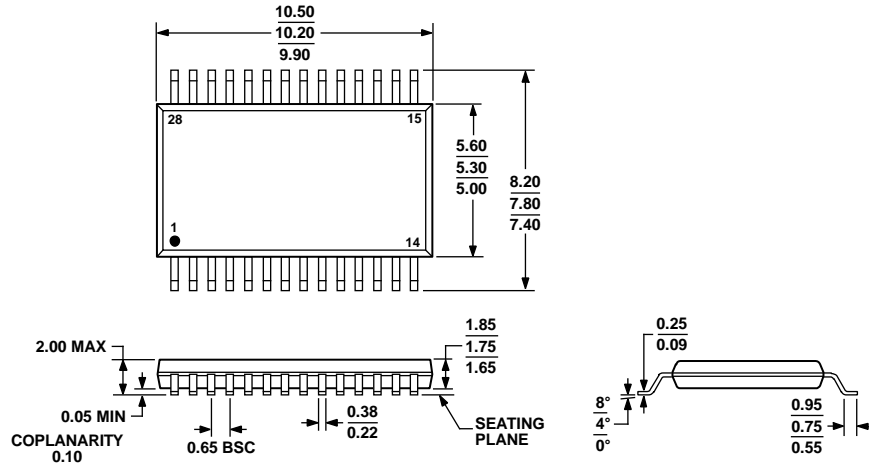


Figure 13. Power Supply Current vs. Logic Input Voltage

OUTLINE DIMENSIONS



COMPLIANT TO JEDEC STANDARDS MO-150-AH
 Figure 4. 28-Lead Shrink Small Outline Package [SSOP]
 (RS-28)
 Dimensions shown in millimeters

060106-A

ORDERING GUIDE

Model	Resolution (Bits)	INL LSB	DNL LSB	Temperature Range	Package Description	Package Option
AD5544SRS-EP	16	±1.5	±1.5	-55°C to +125°C	28-Lead Shrink Small Outline Package [SSOP]	RS-28

NOTES

NOTES



Компания «ЭлектроПласт» предлагает заключение долгосрочных отношений при поставках импортных электронных компонентов на взаимовыгодных условиях!

Наши преимущества:

- Оперативные поставки широкого спектра электронных компонентов отечественного и импортного производства напрямую от производителей и с крупнейших мировых складов;
- Поставка более 17-ти миллионов наименований электронных компонентов;
- Поставка сложных, дефицитных, либо снятых с производства позиций;
- Оперативные сроки поставки под заказ (от 5 рабочих дней);
- Экспресс доставка в любую точку России;
- Техническая поддержка проекта, помощь в подборе аналогов, поставка прототипов;
- Система менеджмента качества сертифицирована по Международному стандарту ISO 9001;
- Лицензия ФСБ на осуществление работ с использованием сведений, составляющих государственную тайну;
- Поставка специализированных компонентов (Xilinx, Altera, Analog Devices, Intersil, Interpoint, Microsemi, Aeroflex, Peregrine, Syfer, Eurofarad, Texas Instrument, Miteq, Cobham, E2V, MA-COM, Hittite, Mini-Circuits, General Dynamics и др.);

Помимо этого, одним из направлений компании «ЭлектроПласт» является направление «Источники питания». Мы предлагаем Вам помощь Конструкторского отдела:

- Подбор оптимального решения, техническое обоснование при выборе компонента;
- Подбор аналогов;
- Консультации по применению компонента;
- Поставка образцов и прототипов;
- Техническая поддержка проекта;
- Защита от снятия компонента с производства.



Как с нами связаться

Телефон: 8 (812) 309 58 32 (многоканальный)

Факс: 8 (812) 320-02-42

Электронная почта: org@eplast1.ru

Адрес: 198099, г. Санкт-Петербург, ул. Калинина, дом 2, корпус 4, литера А.