

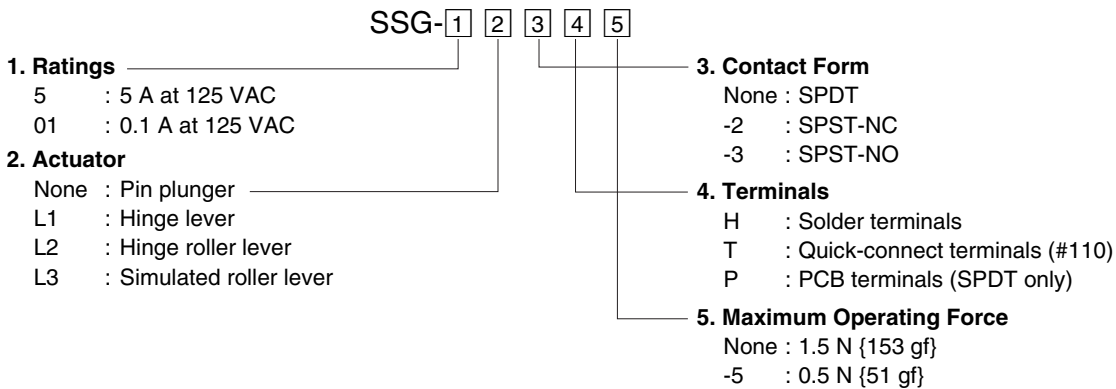
Global Subminiature Basic Switch Conforming to EN61058-1 (IEC601058-1), UL1054, and CSA C22.2 No.54

- A wide operating temperature range of -25°C to 125°C is available for at high-temperature use.
- PCB terminal models are resistant to flux.
- Even-pitched PCB terminals.
- Mounting hole size of M2.2.



RoHS Compliant

Model Number Legend



Note. These values are for the pin plunger models.

List of Models

Actuator	Terminals	Ratings Maximum Operating Force (OF)	5 A	0.1 A
Pin plunger 	Solder terminals	1.50 N {153 gf}	SSG-5H	SSG-01H
	Quick-connect terminals (#110)		SSG-5T	SSG-01T
	PCB terminals		SSG-5P	SSG-01P
	Solder terminals	0.50 N {51 gf}	SSG-5H-5	SSG-01H-5
	Quick-connect terminals (#110)		SSG-5T-5	SSG-01T-5
	PCB terminals		SSG-5P-5	SSG-01P-5
Hinge lever 	Solder terminals	0.60 N {61 gf}	SSG-5L1H	SSG-01L1H
	Quick-connect terminals (#110)		SSG-5L1T	SSG-01L1T
	PCB terminals		SSG-5L1P	SSG-01L1P
	Solder terminals	0.20 N {20 gf}	SSG-5L1H-5	SSG-01L1H-5
	Quick-connect terminals (#110)		SSG-5L1T-5	SSG-01L1T-5
	PCB terminals		SSG-5L1P-5	SSG-01L1P-5
Simulated roller lever 	Solder terminals	0.60 N {61 gf}	SSG-5L3H	SSG-01L3H
	Quick-connect terminals (#110)		SSG-5L3T	SSG-01L3T
	PCB terminals		SSG-5L3P	SSG-01L3P
	Solder terminals	0.20 N {20 gf}	SSG-5L3H-5	SSG-01L3H-5
	Quick-connect terminals (#110)		SSG-5L3T-5	SSG-01L3T-5
	PCB terminals		SSG-5L3P-5	SSG-01L3P-5
Hinge roller lever 	Solder terminals	0.60 N {61 gf}	SSG-5L2H	SSG-01L2H
	Quick-connect terminals (#110)		SSG-5L2T	SSG-01L2T
	PCB terminals		SSG-5L2P	SSG-01L2P
	Solder terminals	0.20 N {20 gf}	SSG-5L2H-5	SSG-01L2H-5
	Quick-connect terminals (#110)		SSG-5L2T-5	SSG-01L2T-5
	PCB terminals		SSG-5L2P-5	SSG-01L2P-5

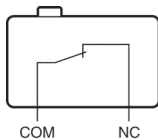
Note: Consult your OMRON sales representative for details on SPST-NO and SPST-NC models.

Contact Form

● SPDT



● SPST-NC



● SPST-NO



Contact Specifications

Item		SSG-5	SSG-01H.T	SSG-01P
Contact	Specification	Rivet	Crossbar	
	Material	Silver	Gold alloy	
	Gap (standard value)	0.5 mm	0.25 mm	0.5 mm
Inrush current	NC	20 A max.	1 A max.	
	NO	10 A max.	1 A max.	
Minimum applicable load (see note)		160 mA at 5 VDC	1 mA at 5 VDC	

Note: For more information on the minimum applicable load, refer to *Using Micro Loads* on page 7.

Separator (Sold Separately), Terminal Connector (Sold Separately) ➔ Refer to "Basic Switch Common Accessories"

Ratings

Models	Item Rated voltage	Resistive load
SSG-5	125 VAC	5 A
	250 VAC	3 A
SSG-01	125 VAC	0.1 A
	30 VDC	0.1 A

- Note:**
- The above current ratings are the values of the steady-state current.
 - If the Switch is used in a DC circuit and is subjected to a surge current, connect a surge suppressor across the switch.
 - The ratings values apply under the following test conditions:
Ambient temperature: 20±2°C
Ambient humidity: 65±5%
Operating frequency: 30 operations/min

Approved Standards

Consult your OMRON sales representative for specific models with standard approvals.

UL1054 (File No. E41515)/

CSA C22.2 No. 55 (File No. LR21642)

Rated voltage	SSG-5	SSG-01
125 VAC	5 A	0.1 A
250 VAC	3 A	---
30 VDC	---	0.1 A

**EN61058-1 (File No. J9451449,
TÜV Rheinland approval)**

Rated voltage	SSG-5	SSG-01
250 VAC	5 A	---
30 VDC	---	0.1 A

Testing conditions: 5E4 (50,000 operations),
T125 (0°C to 125°C)

Characteristics

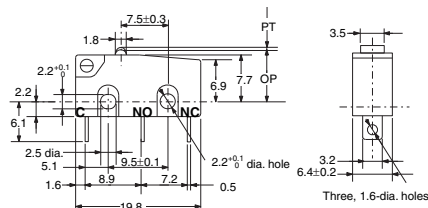
Operating speed		0.1 mm to 1 m/s (for pin plunger models)
Operating frequency	Mechanical	400 operations/min max.
	Electrical	30 operations/min max.
Insulation resistance		100 MΩ min.
Contact resistance (initial value)	OF 1.50 N	SSG-5 models: 30 mΩ max. SSG-01 models: 50 mΩ max.
	OF 0.50 N	SSG-5 models: 50 mΩ max. SSG-01 models: 100 mΩ max.
Dielectric strength *1	Between terminals of the same polarity	1,000 VAC, 50/60 Hz for 1 min (600 VAC for SSG-01H and SSG-01T models)
	Between current-carrying metal parts and ground	1,500 VAC, 50/60 Hz for 1 min
	Between each terminals and non-current-carrying metal parts	1,500 VAC, 50/60 Hz for 1 min
Vibration resistance *2	Malfunction	10 to 2,000 Hz, 196 m/s ² {20G}
Shock resistance *2	Malfunction	490 m/s ² {approx. 50G}
Durability *3	Mechanical	10,000,000 operations min. (60 operations/min)
	Electrical	200,000 operations min. (30 operations/min)
Degree of protection (IP code)		IEC IP40
Degree of protection against electrical shock		Class I
Proof tracking index		175
Ambient operating temperature		-25°C to +125°C (at ambient humidity of 60% max.) (with no icing or condensation)
Ambient operating humidity		85% max. (+5°C to +30°C)
Weight		Approx. 1.6 g (pin plunger models)

Note: The data given above are initial values.

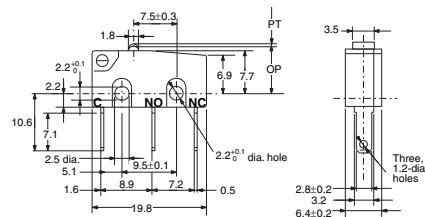
- *1. The values for dielectric strength shown are for models with a Separator (refer to "Micro Switch Common Accessories").
- *2. The values are at Free Position and Total Travel Position values for pin plunger, and Total Travel Position value for lever type. Close or open circuit of the contact is shorter than 10μs.
- *3. For testing conditions, consult your OMRON sales representative.

Terminals/Apearances (Unit: mm)

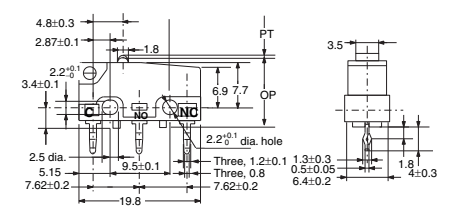
● Solder terminals



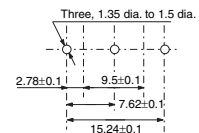
● Quick connect terminals (#110)



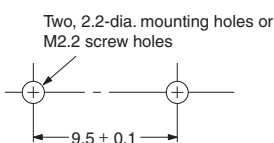
● PCB terminals



PCB Mounting Dimensions (Reference)



Mounting Holes (Unit: mm)



Make sure that the plate to which the SSG is mounted is flat. If the plate has protruding or warped part, the SSG may not operate properly.

Separator (Sold Separately), Terminal Connector (Sold Separately) ➔ Refer to "Basic Switch Common Accessories"

Dimensions (Unit: mm) and Operating Characteristics

The illustrations and drawings are for solder terminals models and PCB terminals models.

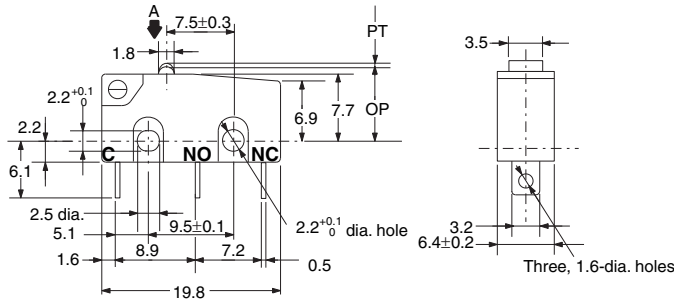
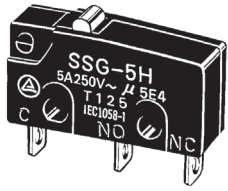
Refer to "Terminals/Appearances" of the previous page for details on models with quick connect terminals (#110).

The □ is replaced with the code for the terminal that you need. See the "List of Models" for available combinations of models.

Solder/Quick-connect Terminals (#110)

● Pin Plunger

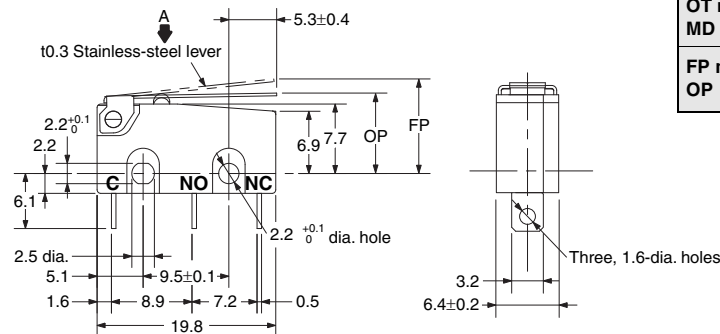
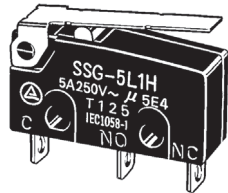
SSG-5□
SSG-5□-5
SSG-01□
SSG-01□-5



Model	SSG-5□ SSG-01□	SSG-5□-5 SSG-01□-5
OF max. RF min.	1.50 N {153 gf} 0.25 N {25 gf}	0.50 N {51 gf} 0.04 N {4 gf}
PT max. OT min. MD max.	0.6 mm 0.4 mm 0.1 mm	
FP max. OP	--- 8.4±0.3 mm	

● Hinge Lever

SSG-5L1□
SSG-5L1□-5
SSG-01L1□
SSG-01L1□-5

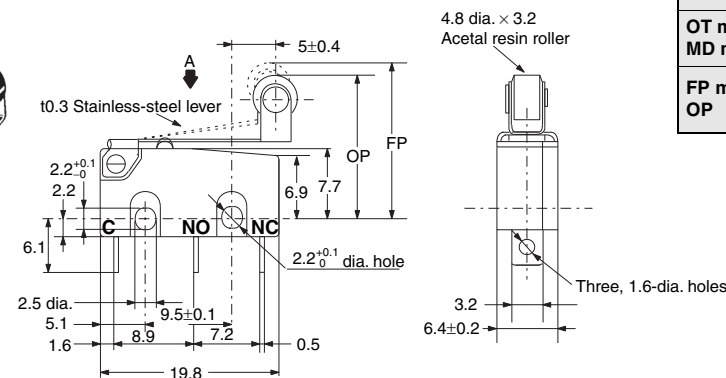
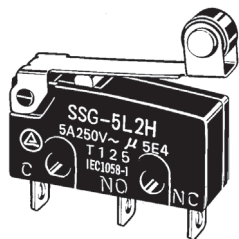


Model	SSG-5L1□ SSG-01L1□	SSG-5L1□-5 SSG-01L1□-5
OF max. RF min.	0.60 N {61 gf} 0.06 N {6 gf}	0.20 N {20 gf} 0.02 N {2 gf}
OT min. MD max.	1.0 mm 0.8 mm	
FP max. OP	13.6 mm 8.8 ^{+1.0} _{-0.6} mm	

Note: Also available are models with a hinge lever length of 26.1 mm under the following model numbers; SSG-01L14□, SSG-5L14□, SSG-01L14□-5, and SSG-5L14□-5. Consult your OMRON sales representative for these models.

● Hinge Roller Lever

SSG-5L2□
SSG-5L2□-5
SSG-01L2□
SSG-01L2□-5

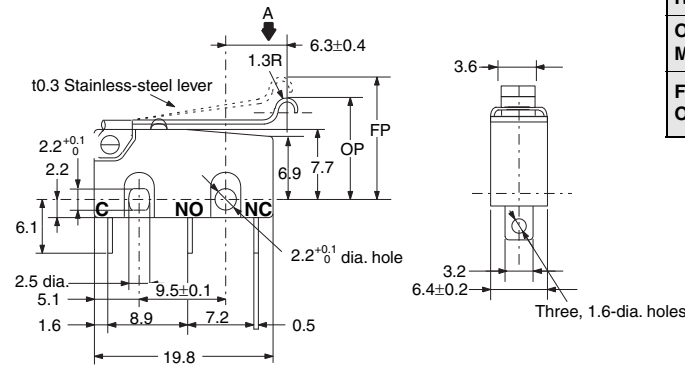
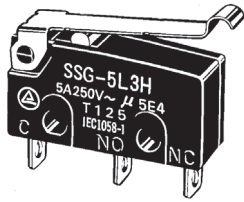


Model	SSG-5L2□ SSG-01L2□	SSG-5L2□-5 SSG-01L2□-5
OF max. RF min.	0.60 N {61 gf} 0.06 N {6 gf}	0.20 N {20 gf} 0.02 N {2 gf}
OT min. MD max.	1.0 mm 0.8 mm	
FP max. OP	19.0 mm 14.5 ^{+1.0} _{-0.6} mm	

Note: 1. Unless otherwise specified, a tolerance of ±0.25 mm applies to all dimensions.
2. The operating characteristics are for operation in the A direction (↓).

● Simulated Roller Lever

- SSG-5L3□
- SSG-5L3□-5
- SSG-01L3□
- SSG-01L3□-5

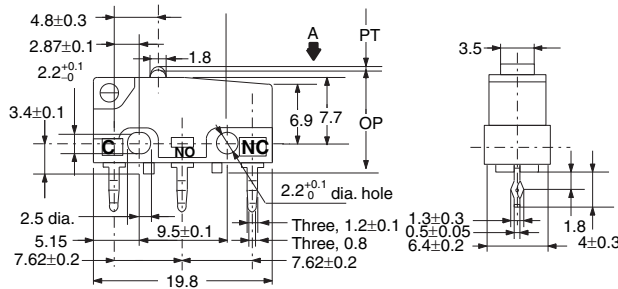
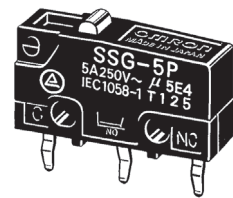


Model	SSG-5L3□ SSG-01L3□	SSG-5L3□-5 SSG-01L3□-5
OF max. RF min.	0.60 N {61 gf} 0.06 N {6 gf}	0.20 N {20 gf} 0.02 N {2 gf}
OT min. MD max.	1.0 mm 0.8 mm	
FP max. OP	15.5 mm 10.7 ^{+1.0} _{-0.6} mm	

PCB Terminal

● Pin Plunger

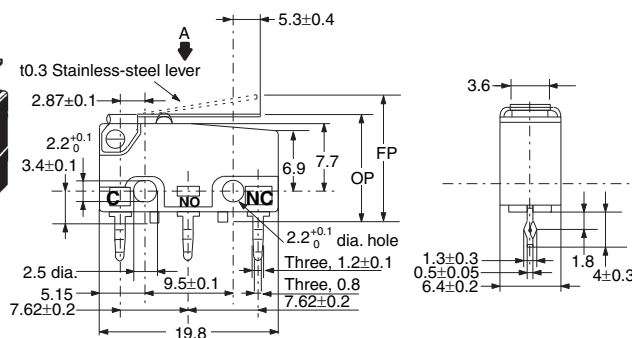
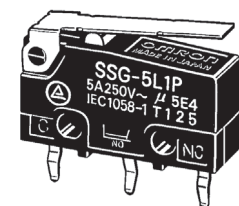
- SSG-5P
- SSG-5P-5
- SSG-01P
- SSG-01P-5



Model	SSG-5P SSG-01P	SSG-5P-5 SSG-01P-5
OF max. RF min.	1.50 N {153 gf} 0.25 N {25 gf}	0.50 N {51 gf} 0.04 N {4 gf}
PT max. OT min. MD max.	0.6 mm 0.4 mm 0.1 mm	
FP max. OP	--- 11.8±0.4 mm	

● Hinge Lever

- SSG-5L1P
- SSG-5L1P-5
- SSG-01L1P
- SSG-01L1P-5



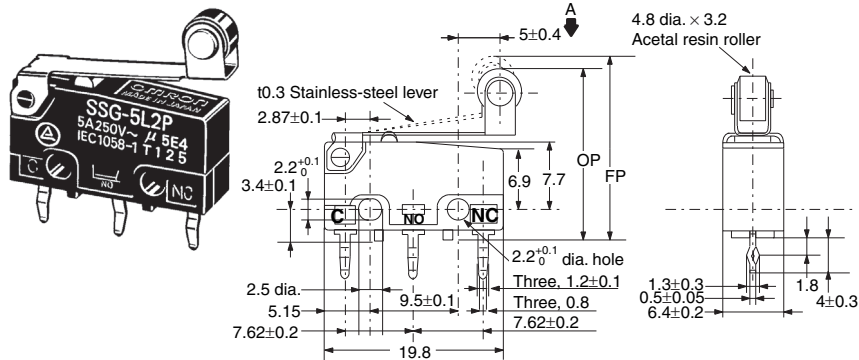
Model	SSG-5L1P SSG-01L1P	SSG-5L1P-5 SSG-01L1P-5
OF max. RF min.	0.60 N {61 gf} 0.06 N {6 gf}	0.20 N {20 gf} 0.02 N {2 gf}
OT min. MD max.	1.0 mm 0.8 mm	
FP max. OP	17.0 mm 12.2 ^{+1.1} _{-0.7} mm	

Note: Also available are models with a hinge lever length of 26.1 mm under the following model numbers; SSG-01L14P, SSG-5L14P, SSG-01L14P-5, and SSG-5L14P-5. Consult your OMRON sales representative for these models.

Note: 1. Unless otherwise specified, a tolerance of ±0.25 mm applies to all dimensions.
2. The operating characteristics are for operation in the A direction (↓).

● Hinge Roller Lever

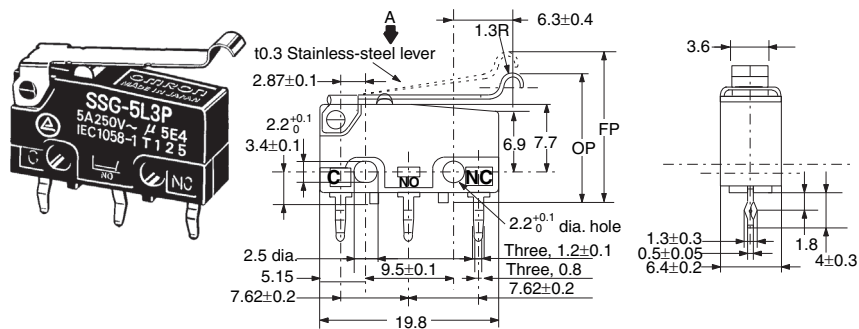
SSG-5L2P
SSG-5L2P-5
SSG-01L2P
SSG-01L2P-5



Model	SSG-5L2P SSG-01L2P	SSG-5L2P-5 SSG-01L2P-5
OF max.	0.60 N {61 gf}	0.20 N {20 gf}
RF min.	0.06 N {6 gf}	0.02 N {2 gf}
OT min.	1.0 mm	
MD max.	0.8 mm	
FP max.	22.4 mm	
OP	17.9 ^{+1.1} _{-0.7} mm	

● Simulated Roller Lever

SSG-5L3P
SSG-5L3P-5
SSG-01L3P
SSG-01L3P-5



Model	SSG-5L3P SSG-01L3P	SSG-5L3P-5 SSG-01L3P-5
OF max.	0.60 N {61 gf}	0.20 N {20 gf}
RF min.	0.06 N {6 gf}	0.02 N {2 gf}
OT min.	1.0 mm	
MD max.	0.8 mm	
FP max.	18.9 mm	
OP	14.1 ^{+1.1} _{-0.7} mm	

Note: 1. Unless otherwise specified, a tolerance of ± 0.25 mm applies to all dimensions.
2. The operating characteristics are for operation in the A direction (↓).

Precautions

Refer to *General Information*.

Cautions

● Terminal Connection

When soldering the lead wire to the terminal, first insert the lead wire conductor through the terminal hole and then take the following steps promptly.

- Make sure that the capacity of the soldering iron is 60 W (temperature of soldering iron : 350 to 400°C) maximum. Do not take more than 3 s to solder the switch terminal. Improper soldering involving an excessively high temperature or excessive soldering time may deteriorate the characteristics of the Switch.
- Be sure to apply only the minimum required amount of flux. The SSG may have contact failures if flux intrudes into the interior of the SSG.
- Use the following lead wires to connect to the solder terminals.

Type	Conductor size
SSG-01	AWG 22 to 20
SSG-5	AWG 20 to 18

260+/-5°C for 5 seconds max. is recommended for flow soldering. Overflow of solder or flux should be avoided. Wire the quick-connect terminals (#110) with receptacles. Insert the terminals straight into the receptacles. Do not impose excessive force on the terminal in the horizontal direction, otherwise the terminal may be deformed or the housing may be damaged.

● Insulation Distance

The Switch does not have a ground terminal. According to EN61058-1, the minimum insulation thickness for this Switch should be 0.9 mm. If the insulation distance cannot be provided in the product incorporating the Switch, either use a Switch with insulation barrier or use a Separator to ensure sufficient insulation distance.

Correct Use

● Mounting

Use M2.2 mounting screws with plane washers or spring washers to securely mount the Switch. Tighten the screws to a torque of 0.20 to 0.24 N·m {2 to 2.5 kgf·cm}.

● Operating Stroke

Make sure that the operating stroke is 70% to 100% of the rated OT distance. Do not operate the actuator exceeding the OT distance, otherwise the durability of the Switch may be shortened.

● Using Micro Loads

Using a model for ordinary loads to open or close the contact of a micro load circuit may result in faulty contact. Use models that operate in the following range. However, even when using micro load models within the operating range shown below, if inrush current occurs when the contact is opened or closed, it may increase contact wear and so decrease durability. Therefore, insert a contact protection circuit where necessary.

The minimum applicable load is the N-level reference value. This value indicates the malfunction reference level for the reliability level of 60% ($\lambda 60$). The equation, $\lambda 60 = 0.5 \times 10^{-6} / \text{operations}$ indicates that the estimated malfunction rate is less than 1/2,000,000 operations with a reliability level of 60%.



- Application examples provided in this document are for reference only. In actual applications, confirm equipment functions and safety before using the product.
- Consult your OMRON representative before using the product under conditions which are not described in the manual or applying the product to nuclear control systems, railroad systems, aviation systems, vehicles, combustion systems, medical equipment, amusement machines, safety equipment, and other systems or equipment that may have a serious influence on lives and property if used improperly. Make sure that the ratings and performance characteristics of the product provide a margin of safety for the system or equipment, and be sure to provide the system or equipment with double safety mechanisms.

Note: Do not use this document to operate the Unit.

OMRON Corporation

ELECTRONIC AND MECHANICAL COMPONENTS COMPANY

Contact: www.omron.com/ecb

**Cat. No. B096-E1-04
0812(O)**



Компания «ЭлектроПласт» предлагает заключение долгосрочных отношений при поставках импортных электронных компонентов на взаимовыгодных условиях!

Наши преимущества:

- Оперативные поставки широкого спектра электронных компонентов отечественного и импортного производства напрямую от производителей и с крупнейших мировых складов;
- Поставка более 17-ти миллионов наименований электронных компонентов;
- Поставка сложных, дефицитных, либо снятых с производства позиций;
- Оперативные сроки поставки под заказ (от 5 рабочих дней);
- Экспресс доставка в любую точку России;
- Техническая поддержка проекта, помощь в подборе аналогов, поставка прототипов;
- Система менеджмента качества сертифицирована по Международному стандарту ISO 9001;
- Лицензия ФСБ на осуществление работ с использованием сведений, составляющих государственную тайну;
- Поставка специализированных компонентов (Xilinx, Altera, Analog Devices, Intersil, Interpoint, Microsemi, Aeroflex, Peregrine, Syfer, Eurofarad, Texas Instrument, Miteq, Cobham, E2V, MA-COM, Hittite, Mini-Circuits, General Dynamics и др.);

Помимо этого, одним из направлений компании «ЭлектроПласт» является направление «Источники питания». Мы предлагаем Вам помощь Конструкторского отдела:

- Подбор оптимального решения, техническое обоснование при выборе компонента;
- Подбор аналогов;
- Консультации по применению компонента;
- Поставка образцов и прототипов;
- Техническая поддержка проекта;
- Защита от снятия компонента с производства.



Как с нами связаться

Телефон: 8 (812) 309 58 32 (многоканальный)

Факс: 8 (812) 320-02-42

Электронная почта: org@eplast1.ru

Адрес: 198099, г. Санкт-Петербург, ул. Калинина, дом 2, корпус 4, литера А.