

PLEASE CHECK WWW.MOLEX.COM FOR LATEST PART INFORMATION

Part Number: [0473370001](#)
Status: **Active**
Description: Camera Socket for Mobile Phone, Top Mount, SMT, Side Contact Type, 8.5x8.5

Documents:

[3D Model](#) [Product Specification PS-47337-001 \(PDF\)](#)
[Drawing \(PDF\)](#) [RoHS Certificate of Compliance \(PDF\)](#)

General

Product Family	Other Sockets
Series	47337
Component Type	Socket
Product Name	Camera Socket

Physical

Circuits (Loaded)	24
Circuits (maximum)	24
Color - Resin	Black
Durability (mating cycles max)	30
Entry Angle	Vertical
Keying to Mating Part	Yes
Material - Metal	Phosphor Bronze
Material - Plating Mating	Gold
Material - Plating Termination	Gold
Material - Resin	High Temperature Thermoplastic
PCB Locator	No
PCB Retention	N/A
PCB Thickness Recommended (in)	0.020 In
PCB Thickness Recommended (mm)	0.50 mm
Packaging Type	Embossed Tape on Reel
Pitch - Mating Interface (in)	0.035 In
Pitch - Mating Interface (mm)	0.90 mm
Pitch - Term. Interface (in)	0.035 In
Pitch - Term. Interface (mm)	0.90 mm
Plating min: Mating (µin)	12
Plating min: Mating (µm)	0.3
Plating min: Termination (µin)	3
Plating min: Termination (µm)	0.075
Temperature Range - Operating	-55°C to +85°C
Termination Interface: Style	Surface Mount

Electrical

Current - Maximum per Contact	0.5A
Voltage - Maximum	50V DC

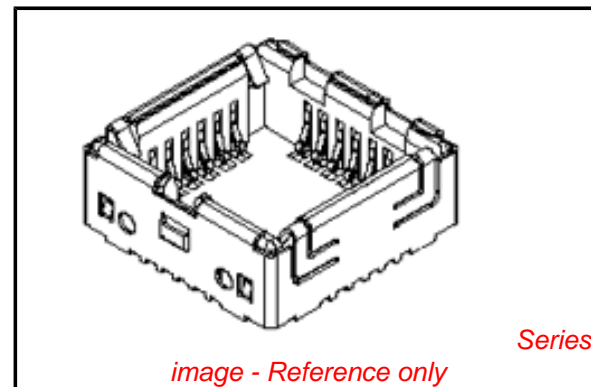
Solder Process Data

Duration at Max. Process Temperature (seconds)	10
Lead-free Process Capability	Reflow Capable (SMT only)
Max. Cycles at Max. Process Temperature	1
Process Temperature max. C	250

Material Info

Reference - Drawing Numbers

Product Specification	PS-47337-001
Sales Drawing	SD-47337-001



EU RoHS

**ELV and RoHS
Compliant**
REACH SVHC
 Not Reviewed
**Halogen-Free
Status**
Not Reviewed

China RoHS



**Need more information on product
environmental compliance?**

Email productcompliance@molex.com
 For a multiple part number RoHS Certificate of
 Compliance, [click here](#)

Please visit the [Contact Us](#) section for any
 non-product compliance questions.

Search Parts in this Series

[47337Series](#)

Mates With

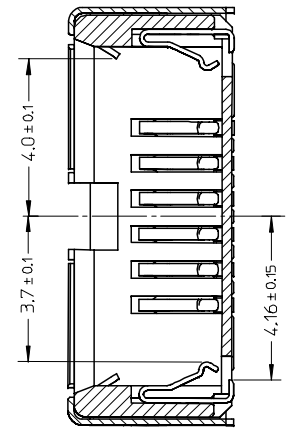
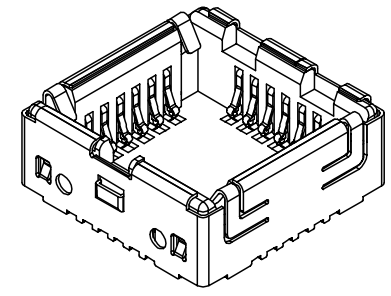
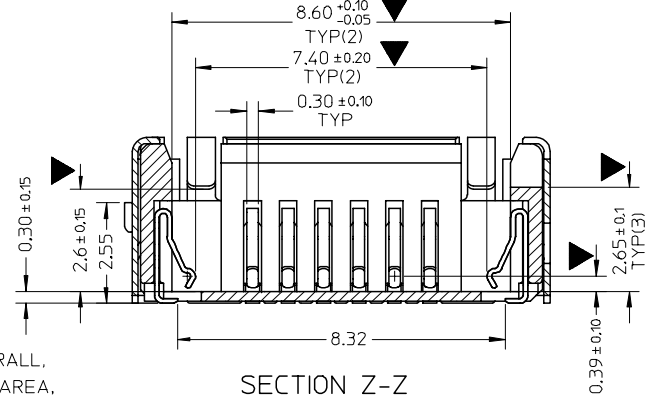
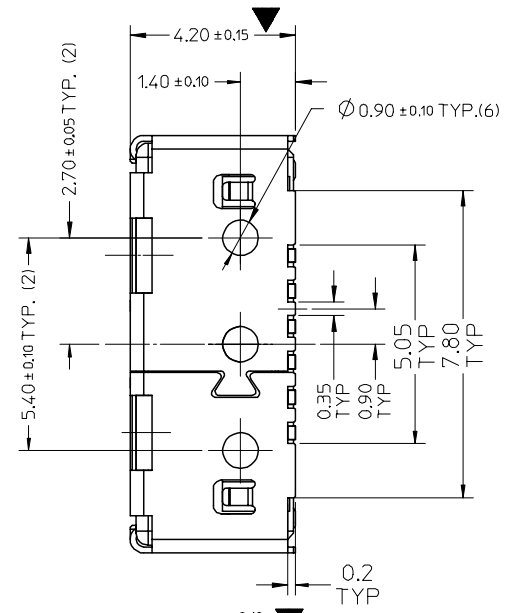
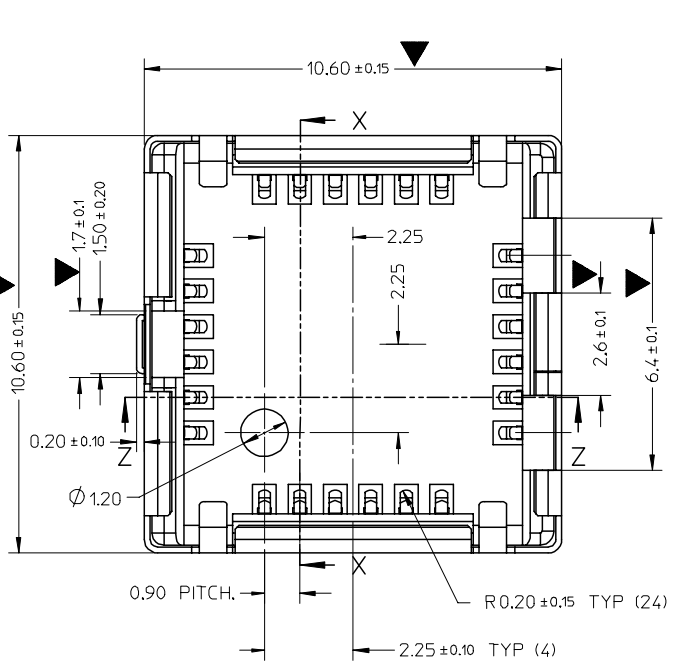
[Camera Module](#)

Use With

[47337-0005 Cap](#)

This document was generated on 03/31/2010

PLEASE CHECK WWW.MOLEX.COM FOR LATEST PART INFORMATION

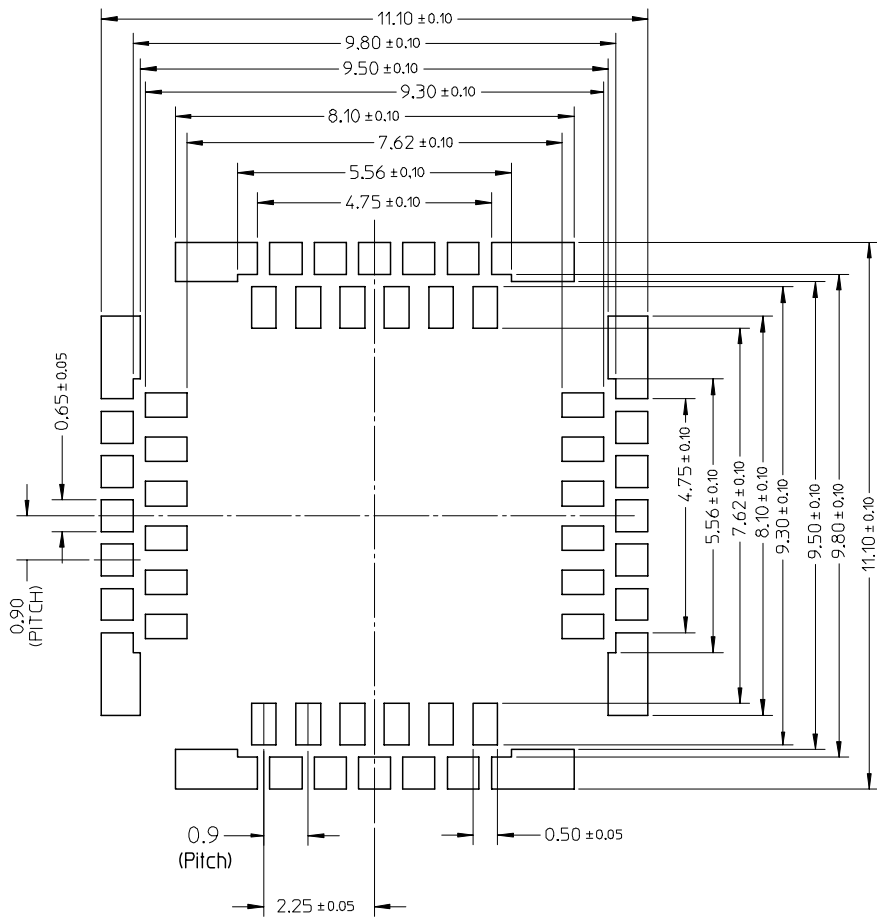


SECTION X-X

- NOTES:
- MATERIALS
HOUSING: POLYAMIDE, BLACK, UL94 V-0
TERMINAL: COPPER ALLOY.
SHELL: COPPER ALLOY.
TOP SHIELD: STAINLESS STEEL
 - FINISH
TERMINAL: 2-4 MICROMETER NICKEL UNDERPLATING OVERALL,
GOLD PLATING 0.3 MICROMETER ON CONTACT AREA,
GOLD FLASH PLATING ON SOLDER AREA.
SHELL: 2-4 MICROMETER NICKEL UNDERPLATING OVERALL,
GOLD FLASH PLATING ON SOLDER AREA.
 - PRODUCT SPECIFICATION: PS-47337-001
 - PAKAGING: TAPE&REEL
 - COPLANALITY TO BE 0.10MM MAX.
 - APPLICABLE TOP COVER 473370005.
 - APPLICABLE CAMERA MODULE SEE SHEET 3.
 - THE DRAWING EDITION 9 WILL MEET TOM LU'S DRAWING EDITON S6

SECTION Z-Z

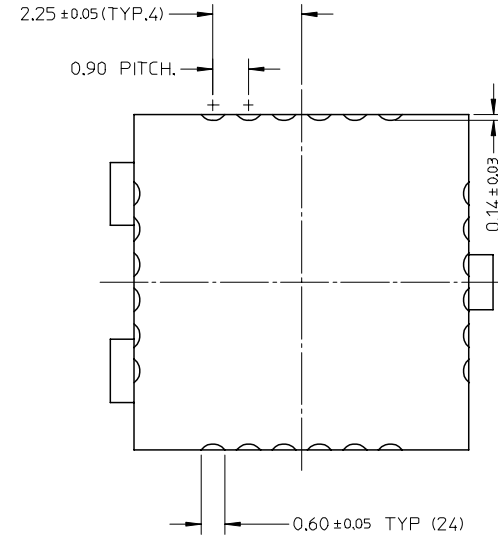
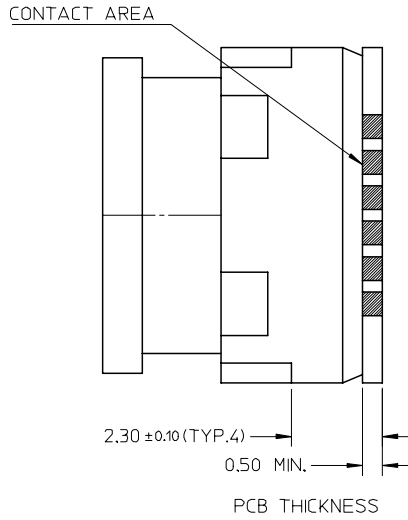
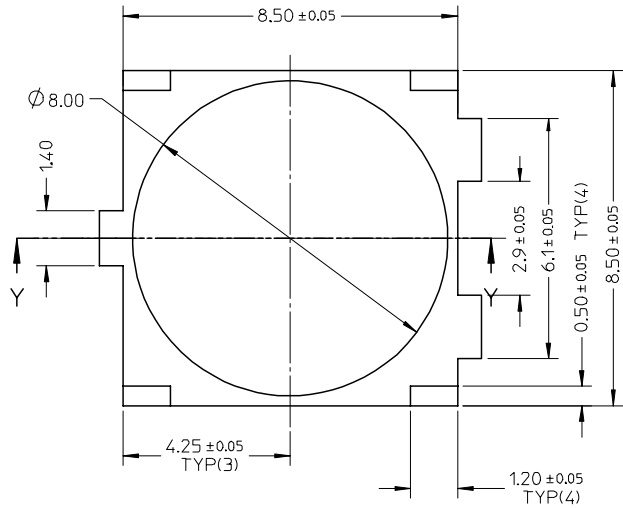
RELEASE EC NO: 2006/06/16 DRWN: IHE 2006/06/23 CHKD: XIXU 2006/06/26 APPR: JNCHEN 2006/06/26	QUALITY SYMBOLS	GENERAL TOLERANCES (UNLESS SPECIFIED)	DIMENSION STYLE	SCALE	DESIGN UNITS	THIRD ANGLE PROJECTION															
	$\nabla = 12$ $\sphericalangle = 0$	<table border="1"> <thead> <tr> <th></th> <th>mm</th> <th>INCH</th> </tr> </thead> <tbody> <tr> <td>4 PLACES</td> <td>± ---</td> <td>± ---</td> </tr> <tr> <td>3 PLACES</td> <td>± ---</td> <td>± ---</td> </tr> <tr> <td>2 PLACES</td> <td>± 0.10</td> <td>± ---</td> </tr> <tr> <td>1 PLACE</td> <td>± 0.15</td> <td>± ---</td> </tr> </tbody> </table>		mm	INCH	4 PLACES	± ---	± ---	3 PLACES	± ---	± ---	2 PLACES	± 0.10	± ---	1 PLACE	± 0.15	± ---	MM ONLY	8:1	METRIC	
		mm	INCH																		
	4 PLACES	± ---	± ---																		
3 PLACES	± ---	± ---																			
2 PLACES	± 0.10	± ---																			
1 PLACE	± 0.15	± ---																			
DRAFT WHERE APPLICABLE MUST REMAIN WITHIN DIMENSIONS	<table border="1"> <thead> <tr> <th>DRAWN BY</th> <th>DATE</th> <th>TITLE</th> </tr> </thead> <tbody> <tr> <td>IVAN HE</td> <td>2006/06/16</td> <td rowspan="2">8.5*8.5 CAMERA SOCKET SMT.SIDE CONTACT TYPE TOP MOUNT</td> </tr> <tr> <td>XIXU</td> <td>2006/06/16</td> </tr> <tr> <td>APPROVED BY</td> <td>DATE</td> <td rowspan="2">MOLEX INCORPORATED</td> </tr> <tr> <td>JENNY CHEN</td> <td>2006/06/16</td> </tr> </tbody> </table>	DRAWN BY	DATE	TITLE	IVAN HE	2006/06/16	8.5*8.5 CAMERA SOCKET SMT.SIDE CONTACT TYPE TOP MOUNT	XIXU	2006/06/16	APPROVED BY	DATE	MOLEX INCORPORATED	JENNY CHEN	2006/06/16	<table border="1"> <thead> <tr> <th>MATERIAL NO.</th> <th>DOCUMENT NO.</th> <th>SHEET NO.</th> </tr> </thead> <tbody> <tr> <td>473370001</td> <td>SD-47337-001</td> <td>1 OF 3</td> </tr> </tbody> </table>	MATERIAL NO.	DOCUMENT NO.	SHEET NO.	473370001	SD-47337-001	1 OF 3
DRAWN BY	DATE	TITLE																			
IVAN HE	2006/06/16	8.5*8.5 CAMERA SOCKET SMT.SIDE CONTACT TYPE TOP MOUNT																			
XIXU	2006/06/16																				
APPROVED BY	DATE	MOLEX INCORPORATED																			
JENNY CHEN	2006/06/16																				
MATERIAL NO.	DOCUMENT NO.	SHEET NO.																			
473370001	SD-47337-001	1 OF 3																			
SIZE A3	THIS DRAWING CONTAINS INFORMATION THAT IS PROPRIETARY TO MOLEX INCORPORATED AND SHOULD NOT BE USED WITHOUT WRITTEN PERMISSION																				



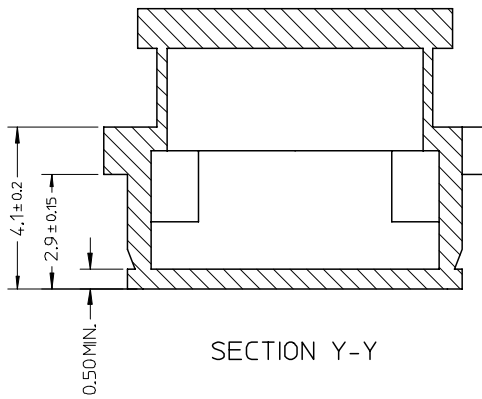
RECOMMENDED PCB LAYOUT

RELEASE EC NO: DRWN: IHE CHKD: XIXU APPR: JNCHEN 2006/06/16 2006/06/23 2006/06/26	DESCRIPTION REV	QUALITY SYMBOLS ▽=0 ◻=0	GENERAL TOLERANCES (UNLESS SPECIFIED)		DIMENSION STYLE MM ONLY		SCALE 10:1	DESIGN UNITS METRIC	THIRD ANGLE PROJECTION		
			4 PLACES ± --- ± --- 3 PLACES ± --- ± --- 2 PLACES ± 0.10 ± --- 1 PLACE ± 0.15 ± ---	mm INCH ± --- ± --- ± 0.10 ± --- ± 0.15 ± ---	DRAWN BY IVAN HE	DATE 2006/06/16	TITLE 8.5*8.5 CAMERA SOCKET SMT.SIDE CONTACT TYPE TOP MOUNT				
			ANGULAR ± 1		CHECKED BY XIXU	DATE 2006/06/16	MOLEX INCORPORATED				
		DRAFT WHERE APPLICABLE MUST REMAIN WITHIN DIMENSIONS			APPROVED BY JENNY CHEN	DATE 2006/06/16	MATERIAL NO. 47337-0001	DOCUMENT NO. SD-47337-001	SHEET NO. 2 OF 3		

APPLIED CAMERA MODULE



FOR PCB (PTH)



SECTION Y-Y

RELEASE EC NO: DRWN: IHE CHKD: XIXU APPR: JNCHEN	DESCRIPTION 2006/06/16 2006/06/23 2006/06/26	QUALITY SYMBOLS	GENERAL TOLERANCES (UNLESS SPECIFIED)	DIMENSION STYLE	SCALE	DESIGN UNITS	THIRD ANGLE PROJECTION
		$\nabla=0$ $\sphericalangle=0$	mm INCH	MM ONLY	8:1	METRIC	
			4 PLACES ± --- ± --- 3 PLACES ± --- ± --- 2 PLACES ± 0.10 ± --- 1 PLACE ± 0.15 ± ---	DRAWN BY DATE IVAN HE 2006/06/16 CHECKED BY DATE XIXU 2006/06/16 APPROVED BY DATE JENNY CHEN 2006/06/16	TITLE 8.5*8.5 CAMERA SOCKET SMT.SIDE CONTACT TYPE TOP MOUNT		
			ANGULAR ± 1 °	MATERIAL NO. 47337-0001	DOCUMENT NO. SD-47337-001	SHEET NO. 3 OF 3	
A	REV	DRAFT WHERE APPLICABLE MUST REMAIN WITHIN DIMENSIONS		SIZE	THIS DRAWING CONTAINS INFORMATION THAT IS PROPRIETARY TO MOLEX INCORPORATED AND SHOULD NOT BE USED WITHOUT WRITTEN PERMISSION		



Компания «ЭлектроПласт» предлагает заключение долгосрочных отношений при поставках импортных электронных компонентов на взаимовыгодных условиях!

Наши преимущества:

- Оперативные поставки широкого спектра электронных компонентов отечественного и импортного производства напрямую от производителей и с крупнейших мировых складов;
- Поставка более 17-ти миллионов наименований электронных компонентов;
- Поставка сложных, дефицитных, либо снятых с производства позиций;
- Оперативные сроки поставки под заказ (от 5 рабочих дней);
- Экспресс доставка в любую точку России;
- Техническая поддержка проекта, помощь в подборе аналогов, поставка прототипов;
- Система менеджмента качества сертифицирована по Международному стандарту ISO 9001;
- Лицензия ФСБ на осуществление работ с использованием сведений, составляющих государственную тайну;
- Поставка специализированных компонентов (Xilinx, Altera, Analog Devices, Intersil, Interpoint, Microsemi, Aeroflex, Peregrine, Syfer, Eurofarad, Texas Instrument, Miteq, Cobham, E2V, MA-COM, Hittite, Mini-Circuits, General Dynamics и др.);

Помимо этого, одним из направлений компании «ЭлектроПласт» является направление «Источники питания». Мы предлагаем Вам помощь Конструкторского отдела:

- Подбор оптимального решения, техническое обоснование при выборе компонента;
- Подбор аналогов;
- Консультации по применению компонента;
- Поставка образцов и прототипов;
- Техническая поддержка проекта;
- Защита от снятия компонента с производства.



Как с нами связаться

Телефон: 8 (812) 309 58 32 (многоканальный)

Факс: 8 (812) 320-02-42

Электронная почта: org@eplast1.ru

Адрес: 198099, г. Санкт-Петербург, ул. Калинина, дом 2, корпус 4, литера А.