

**PLEASE CHECK WWW.MOLEX.COM FOR LATEST PART INFORMATION**

**Part Number:** [0556500488](#)  
**Status:** **Active**  
**Overview:** [slimstack\\_050mm\\_020\\_pitch](#)  
**Description:** 0.50mm (.020") Pitch SlimStack™ Plug, Surface Mount, Dual Row, Vertical, 2.00mm (.079") Stack Height, with Solder Tab, 40 Circuits, Lead-free

**Documents:**

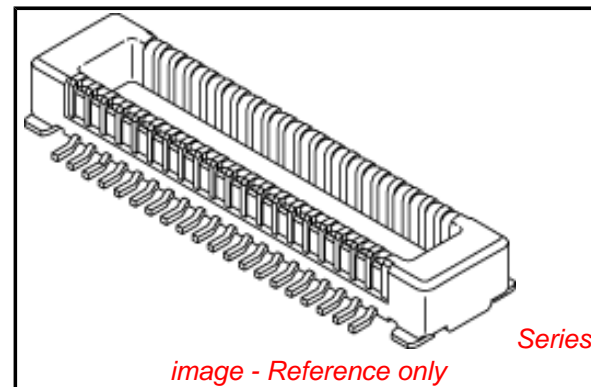
[3D Model](#) [Product Specification PS-54363-046 \(PDF\)](#)  
[Drawing \(PDF\)](#) [RoHS Certificate of Compliance \(PDF\)](#)  
[Product Specification PS-54363-044 \(PDF\)](#)

**General**

|                |   |
|----------------|---|
| Product Family | PCB Headers                               |
| Series         | <a href="#">55650</a>                     |
| Application    | Board-to-Board                            |
| Comments       | Solder Tab Plating: Lead-free, Tin        |
| Overview       | <a href="#">slimstack_050mm_020_pitch</a> |
| Product Name   | SlimStack™                                |

**Physical**

|                                |                                |
|--------------------------------|--------------------------------|
| Breakaway                      | No                             |
| Circuits (Loaded)              | 40                             |
| Circuits (maximum)             | 40                             |
| Color - Resin                  | Black                          |
| Durability (mating cycles max) | 30                             |
| First Mate / Last Break        | No                             |
| Glow-Wire Compliant            | No                             |
| Guide to Mating Part           | No                             |
| Keying to Mating Part          | None                           |
| Lock to Mating Part            | Yes                            |
| Mated Height (in)              | 0.079 In                       |
| Mated Height (mm)              | 2.00 mm                        |
| Material - Metal               | Brass                          |
| Material - Plating Mating      | Gold                           |
| Material - Plating Termination | Gold                           |
| Material - Resin               | High Temperature Thermoplastic |
| Number of Rows                 | 2                              |
| Orientation                    | Vertical                       |
| PC Tail Length (in)            | 0.000 In                       |
| PC Tail Length (mm)            | 0.00 mm                        |
| PCB Locator                    | No                             |
| PCB Retention                  | Yes                            |
| PCB Thickness Recommended (in) | 0.000 In                       |
| PCB Thickness Recommended (mm) | 0.00 mm                        |
| Packaging Type                 | Embossed Tape on Reel          |
| Pitch - Mating Interface (in)  | 0.020 In                       |
| Pitch - Mating Interface (mm)  | 0.50 mm                        |
| Pitch - Term. Interface (in)   | 0.020 In                       |
| Pitch - Term. Interface (mm)   | 0.50 mm                        |
| Plating min: Mating (µin)      | 10                             |
| Plating min: Mating (µm)       | 0.25                           |
| Plating min: Termination (µin) | 4                              |
| Plating min: Termination (µm)  | 0.1                            |
| Polarized to Mating Part       | No                             |
| Polarized to PCB               | No                             |
| Shrouded                       | No                             |



**EU RoHS**

**ELV and RoHS Compliant**  
**REACH SVHC**  
 Not Reviewed  
**Halogen-Free Status**

**China RoHS**



**Not Reviewed**

**Need more information on product environmental compliance?**

Email [productcompliance@molex.com](mailto:productcompliance@molex.com)  
 For a multiple part number RoHS Certificate of Compliance, [click here](#)

Please visit the [Contact Us](#) section for any non-product compliance questions.

**Search Parts in this Series**

[55650Series](#)

**Mates With**

[54363 PCB Receptacle](#)

|                                |                |
|--------------------------------|----------------|
| Stackable                      | No             |
| Surface Mount Compatible (SMC) | Yes            |
| Temperature Range - Operating  | -25°C to +85°C |
| Termination Interface: Style   | Surface Mount  |

**Electrical**

|                               |                 |
|-------------------------------|-----------------|
| Current - Maximum per Contact | 0.5A            |
| Voltage - Maximum             | 50V AC (RMS)/DC |

**Material Info****Reference - Drawing Numbers**

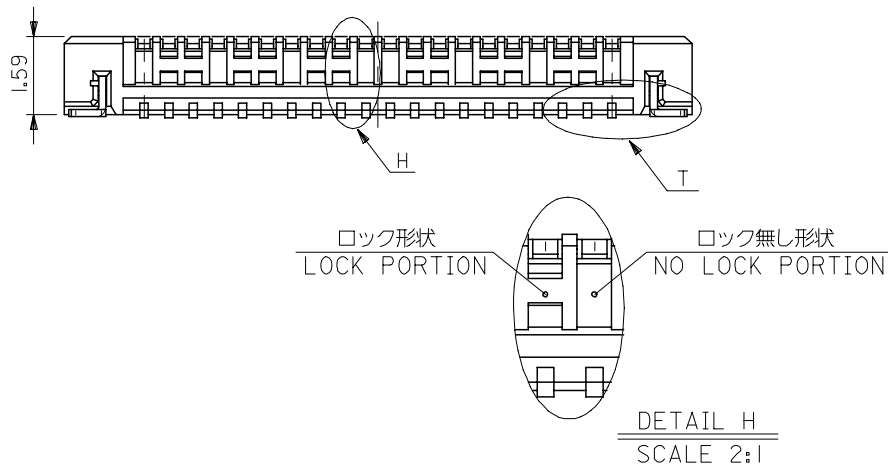
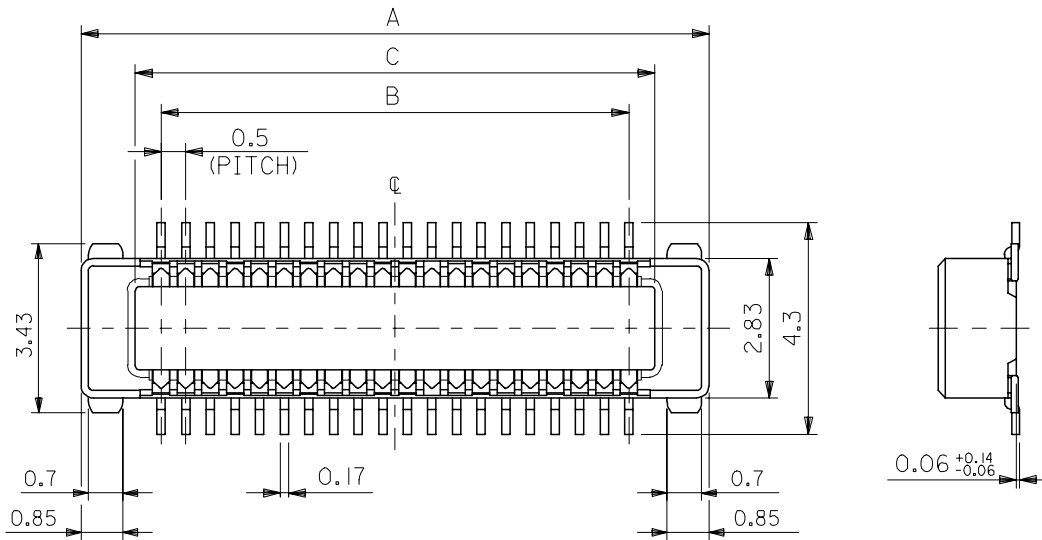
|                         |   |
|-------------------------|---|
| Packaging Specification | SPK-55650-001                             |
| Product Specification   | PS-54363-044, PS-54363-046, RPS-54363-047 |
| Sales Drawing           | SD-55650-013, SD-55650-014                |

This document was generated on 05/27/2010

**PLEASE CHECK [WWW.MOLEX.COM](http://WWW.MOLEX.COM) FOR LATEST PART INFORMATION**

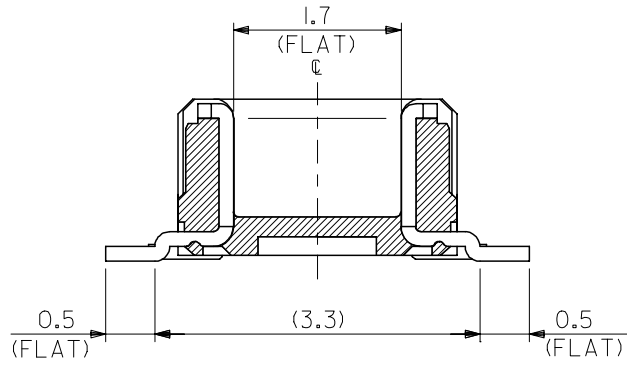
注記  
NOTES:

- 材質  
MATERIAL  
ハウジング: LCP (液晶ポリマー)、ガラス充填、黒色、UL94V-0  
HOUSING: LCP (LIQUID CRYSTAL POLYMER), GLASS FILLED, BLACK, UL94V-0  
ターミナル: 銅合金 (t=0.15)  
TERMINAL: COPPER ALLOY (t=0.15)  
ネイル: 銅合金 (t=0.15)  
NAIL: COPPER ALLOY (t=0.15)
- メッキ仕様  
PLATING  
ターミナル  
TERMINAL  
接点部: 金メッキ 0.25マイクロメートル以上  
CONTACT AREA: GOLD 0.25 MICROMETER MINIMUM  
半田付け部: 金メッキ 0.35マイクロメートル以下  
SOLDER TAIL AREA: GOLD 0.35 MICROMETER MAXIMUM  
下地メッキ: ニッケルメッキ 1.5マイクロメートル以上  
UNDER PLATING: NICKEL 1.5 MICROMETER MINIMUM  
ネイル  
NAIL  
錫メッキ 1.0マイクロメートル以上  
TIN 1.0 MICROMETER MINIMUM  
下地メッキ: ニッケルメッキ 1.0マイクロメートル以上  
UNDER PLATING: NICKEL 1.0 MICROMETER MINIMUM
- テール平坦度は、0.08ミリメートル以下。テールとネイルを併せた平坦度は、0.1ミリメートル以下。  
TAIL COPLANARITY TO BE 0.08 MAXIMUM. TAILS AND NAILS COPLANARITY TO BE 0.1 MAXIMUM.
- 嵌合相手: 54363-\*\*\*\*  
MATED CONN.: 54363-\*\*\*\*
- 本製品は55650-\*\*\*\*1の鉛フリー品である。  
THIS PRODUCT IS LEAD FREE OF 55650-\*\*\*\*1

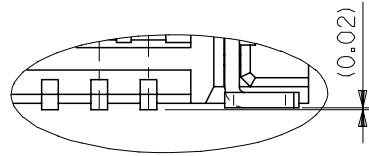


|               |       |      |       |                      |                |
|---------------|-------|------|-------|----------------------|----------------|
| —#            | 28.05 | 27   | 30.25 | 55650-1181           | 110            |
| 4             | 18.05 | 17   | 20.25 | 55650-0781           | 70             |
| 8             | 15.55 | 14.5 | 17.75 | 55650-0681           | 60             |
| 12            | 13.05 | 12   | 15.25 | 55650-0581           | 50             |
| 20            | 10.55 | 9.5  | 12.75 | 55650-0481           | 40             |
| 30            | 8.05  | 7    | 10.25 | 55650-0381           | 30             |
| 20            | 5.55  | 4.5  | 7.75  | 55650-0281           | 20             |
| ロック数<br>LOCKS | C     | B    | A     | 製品番号<br>MATERIAL NO. | 極数<br>CIRCUITS |

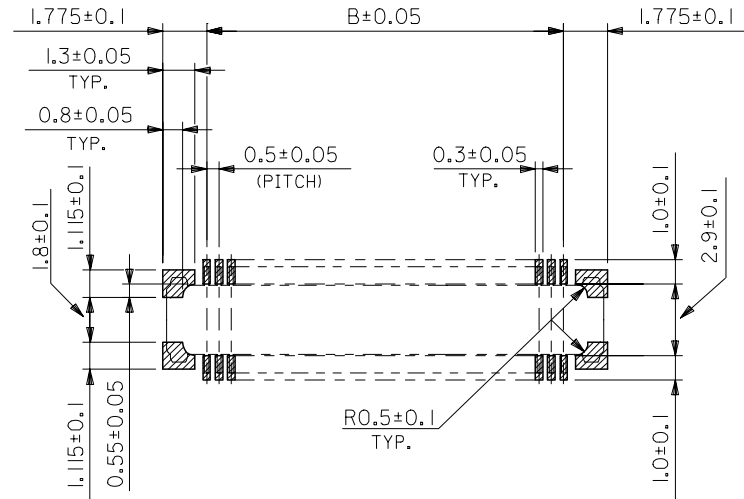
|   |                                       |            |   |                    |   |                        |                        |
|---|---------------------------------------|------------|---|--------------------|---|------------------------|------------------------|
| REVISED<br>EC NO: J2008-0540<br>DRWN: A0YAGI 2007/09/03<br>CHKD: TOYODA 2007/09/03<br>APPR: NUKITA 2007/09/04 | GENERAL TOLERANCES (UNLESS SPECIFIED) |            | DIMENSION STYLE<br>MM ONLY  |                    | SCALE<br>---  | DESIGN UNITS<br>METRIC | THIRD ANGLE PROJECTION |
|   | 10 UNDER                              | ±0.2       | DRAWN BY<br>M. NAGATA   | DATE<br>2004/03/09 | TITLE<br>0.5 MM PITCH B/B CONN.<br>PLUG NAIL ASS'Y (H=2MM)<br>-LEAD FREE- |                        |                        |
|   | 10 OVER 30 UNDER                      | ±0.25      | CHECKED BY<br>K. TOJO   | DATE<br>2004/03/09 | MOLEX MOLEX INCORPORATED  |                        |                        |
|   | 30 OVER                               | ±0.3       | APPROVED BY<br>M. SASAO   | DATE<br>2004/03/09 | DOCUMENT NO.<br>SD-55650-013  | SHEET NO.<br>1 OF 2    |                        |
|   | ANGULAR                               | ±3 °       | MATERIAL NO.<br>SEE TABLE   |                    |   |                        |                        |
| DRAFT WHERE APPLICABLE MUST REMAIN WITHIN DIMENSIONS  |                                       | SIZE<br>A3 | THIS DRAWING CONTAINS INFORMATION THAT IS PROPRIETARY TO MOLEX INCORPORATED AND SHOULD NOT BE USED WITHOUT WRITTEN PERMISSION |                    |   |                        |                        |



製品断面図 (半田付け部、吸着面寸法)  
 DETAIL FOR SOLDERING AND VACUUM AREA



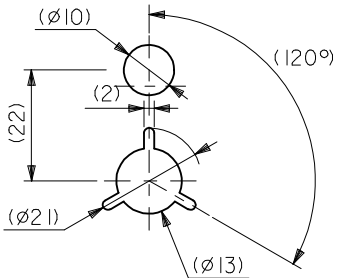
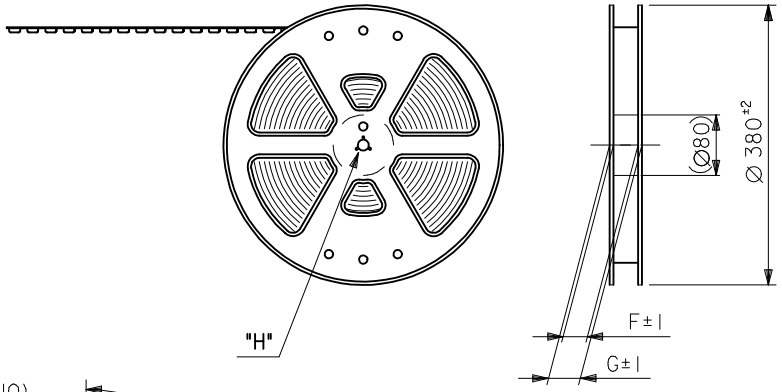
DETAIL T  
 T部詳細



推奨基板寸法  
 RECOMMENDED PCB PATTERN LAYOUT  
 (SCALE 5:1)

|  |  |  |                                    |                    |   |                        |                           |                     |
|--|--|--|------------------------------------|--------------------|---|------------------------|---------------------------|---------------------|
| REVISED<br>EC NO: J2008-0540<br>DRWN: A0YAGI 2007/09/03<br>CHKD: KTOYODA 2007/09/03<br>APPR: NUKITA 2007/09/04                   | GENERAL TOLERANCES<br>(UNLESS SPECIFIED) |  | DIMENSION STYLE<br>MM ONLY         |                    | SCALE<br>---  | DESIGN UNITS<br>METRIC | THIRD ANGLE<br>PROJECTION |                     |
|  | 10 UNDER                                 | ± 0.2  | DRAWN BY<br>M. NAGATA              | DATE<br>2004/03/09 | TITLE<br>0.5 MM PITCH B/B CONN.<br>PLUG NAIL ASS'Y (H=2MM)<br>-LEAD FREE- |                        |                           |                     |
|  | 10 <sup>OVER</sup> 30 UNDER              | ± 0.25   | CHECKED BY<br>K. TOJO              | DATE<br>2004/03/09 | APPROVED BY<br>M. SASAO 2004/03/09  |                        |                           |                     |
|  | 30 <sup>OVER</sup>                       | ± 0.3  | APPROVED BY<br>M. SASAO 2004/03/09 |                    | MATERIAL NO.  |                        | DOCUMENT NO.              |                     |
| ANGULAR ±3 °   |  | DRAFT WHERE APPLICABLE<br>MUST REMAIN<br>WITHIN DIMENSIONS |                                    | SEE SHEET 1        |   | SD-55650-013           |                           | SHEET NO.<br>2 OF 2 |
| THIS DRAWING CONTAINS INFORMATION THAT IS PROPRIETARY TO MOLEX<br>INCORPORATED AND SHOULD NOT BE USED WITHOUT WRITTEN PERMISSION |  |  |                                    |                    |   |                        |                           |                     |

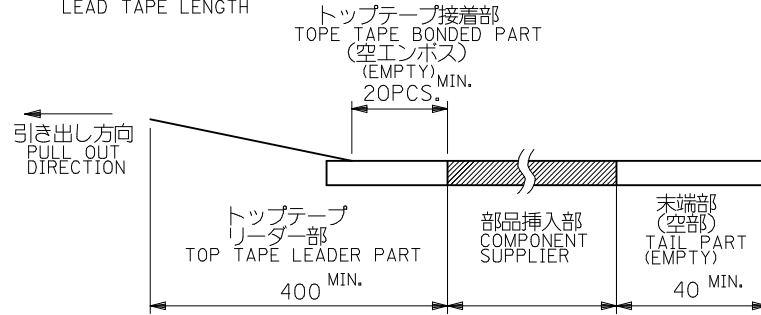
引き出し方向  
PULL OUT DIRECTION



DETAIL "H"

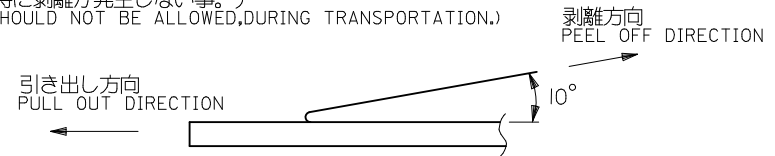
注)  
NOTES

1. 製品番号 55650-\*\*\*8 | 詳細寸法については、製品単体図面を参照下さい。  
IN THE PACKAGE PART NUMBER 55650-\*\*\*8 | DETAILED DIMENSIONS, SEE SALES DRAWING FOR CONNECTOR.
2. 梱包数量: 2500個/リール  
NUMBER OF CONNECTORS: 2500 PCS/REEL.
3. リードテープ長さ  
LEAD TAPE LENGTH



4. トップテープの剥離強度: (剥離方向は下図参照)  
PEELING OFF FORCE OF TOP TAPE (PELLING DIRECTION AS SHOWN IN FOLLOWING FIGURE.)  
0. 1~1. 3N{ 10~130gf }

尚、本規格値は、出荷時に適用。  
THIS REQUIREMENT SHOULD BE APPLIED AT SHIPMENT.  
(但し、輸送時に剥離が発生しない事。)  
(PEEL OFF SHOULD NOT BE ALLOWED, DURING TRANSPORTATION.)



5. 材料  
MATERIAL  
キャリアテープ: ポリプロピレン (PP)  
CARRIER TAPE: POLYPROPYLENE (PP)  
トップテープ: PET, PE, PEF  
TOP TAPE: PET, PE, PEF  
リール: ポリスチレン (PS) <リサイクル材を含む>  
REEL: POLYSTYRENE (PS) <RECYCLE MATERIAL CONTAINED>
6. 本製品は55650-\*\*\*8の鉛フリー品である。  
THIS PRODUCT IS LEAD FREE OF 55650-\*\*\*8

|                      |                   |   |  |                             |  |                     |  |                        |                           |
|----------------------|-------------------|---|--|-----------------------------|--|---------------------|--|------------------------|---------------------------|
| MATERIAL<br>材料       | 注記参照<br>SEE NOTES | REVISED<br>EC NO.: J2009-0552<br>DRWN: YOSHIDAM 2008/12/04<br>CHKD: THARUYAMA 2008/12/04<br>APPR: NUKITA 2008/12/08 | GENERAL TOLERANCES<br>(UNLESS SPECIFIED)                   |                             | DIMENSION STYLE<br>MM ONLY   |                     | SCALE<br>---   | DESIGN UNITS<br>METRIC | THIRD ANGLE<br>PROJECTION |
| FINISH<br>仕上げ        | 注記参照<br>SEE NOTES |   | 10 UNDER   | ±0.2                        | DRAWN BY<br>M. NAGATA  | DATE<br>2004/03/09  | TITLE<br>EMBOSSED TAPE PACKAGE<br>FOR 55650-***81<br>-LEAD FREE- |                        |                           |
| WIRE RANGE<br>適用電線範囲 | ---               |   | 10 OVER 30 UNDER   | ±0.25                       | CHECKED BY<br>K. TOJO  | DATE<br>2004/03/09  | MOLEX MOLEX INCORPORATED   |                        |                           |
| INS. RANGE<br>被覆外径   | ---               |   | 30 OVER  | ±0.3                        | APPROVED BY<br>M. SASAO  | DATE<br>2004/03/09  | DOCUMENT NO.<br>SD-55650-014                                     |                        |                           |
|                      |                   | B   | ANGULAR ±3 °   | MATERIAL NO.<br>SEE SHEET 2 |  | SHEET NO.<br>1 OF 2 |  |                        |                           |
|                      |                   | REV   | DRAFT WHERE APPLICABLE<br>MUST REMAIN<br>WITHIN DIMENSIONS |                             | THIS DRAWING CONTAINS INFORMATION THAT IS PROPRIETARY TO MOLEX<br>INCORPORATED AND SHOULD NOT BE USED WITHOUT WRITTEN PERMISSION |                     |  |                        |                           |

10 9 8 7 6 5 4 3 2 1

F

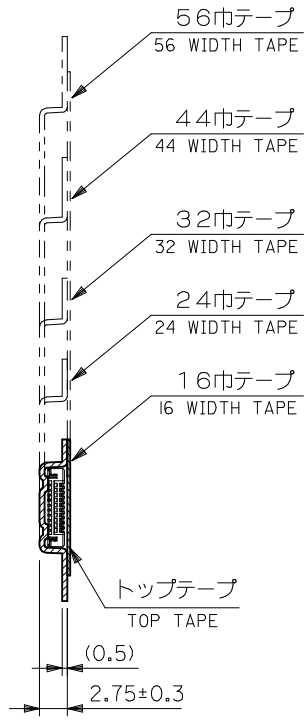
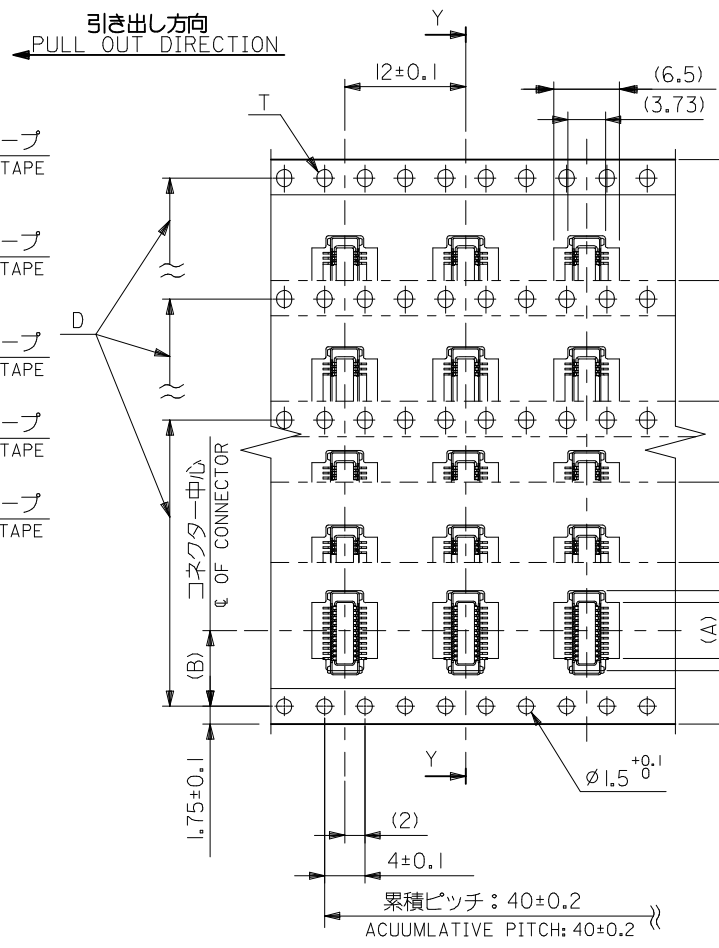
E

D

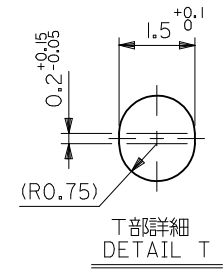
C

B

A



断面 Y-Y  
SECTION Y-Y



上部詳細  
DETAIL T

|      |      |                                     |      |       |      |       |            |                      |                |
|------|------|-------------------------------------|------|-------|------|-------|------------|----------------------|----------------|
| 37.5 | 33.4 | 32±0.3                              | 28.4 | 20.45 | 14.2 | 18.05 | 55650-0788 | 70                   |                |
|      |      |                                     |      | 17.95 |      | 15.55 | 55650-0688 | 60                   |                |
| 29.4 | 25.4 | 24±0.3                              | #    | 15.45 | 11.5 | 13.05 | 55650-0588 | 50                   |                |
|      |      |                                     |      | 12.95 |      | 10.55 | 55650-0488 | 40                   |                |
|      |      |                                     |      | 10.45 |      | 8.05  | 55650-0388 | 30                   |                |
| 21.4 | 17.4 | 16±0.3                              |      | 7.95  | 7.5  | 5.55  | 55650-0288 | 20                   |                |
| G    | F    | E<br>キャリアテープ幅<br>CARRIER TAPE WIDTH |      | D     | (C)  | (B)   | (A)        | 製品番号<br>MATERIAL NO. | 極数<br>CIRCUITS |

|                      |                   |  |  |
|----------------------|-------------------|--|--|
| MATERIAL<br>材料       | 注記参照<br>SEE NOTES | REVISED<br>EC NO: J2009-0552<br>DRWN: YOSHIDAM 2008/12/04<br>CHKD: THARUYAMA 2008/12/04<br>APPR: NUKITA 2008/12/08 | MODEL NO. 55650-***88                                      |
| FINISH<br>仕上げ        | 注記参照<br>SEE NOTES |  | GENERAL TOLERANCES<br>(UNLESS SPECIFIED)                   |
| WIRE RANGE<br>適用電線範囲 | #                 |  | 10 UNDER ±0.2  |
| INS. RANGE<br>被覆外径   | #                 |  | 10 OVER 30 UNDER ±0.25                                     |
|                      |                   |  | 30 OVER ±0.3   |
|                      |                   |  | ANGULAR ±3 °   |
|                      |                   |  | DRAFT WHERE APPLICABLE<br>MUST REMAIN<br>WITHIN DIMENSIONS |

|  |                    |  |                              |                           |
|--|--------------------|--|------------------------------|---------------------------|
| DIMENSION STYLE<br>MM ONLY   |                    | SCALE<br>---   | DESIGN UNITS<br>METRIC       | THIRD ANGLE<br>PROJECTION |
| DRAWN BY<br>M. NAGATA  | DATE<br>2004/03/09 | TITLE<br>EMBOSSED TAPE PACKAGE<br>FOR 55650-***81<br>-LEAD FREE- |                              |                           |
| CHECKED BY<br>K. TOJO  | DATE<br>2004/03/09 | MOLEX INCORPORATED   |                              |                           |
| APPROVED BY<br>M. SASAO  | DATE<br>2004/03/09 | MATERIAL NO.<br>SEE TABLE  | DOCUMENT NO.<br>SD-55650-014 | SHEET NO.<br>2 OF 2       |
| THIS DRAWING CONTAINS INFORMATION THAT IS PROPRIETARY TO MOLEX<br>INCORPORATED AND SHOULD NOT BE USED WITHOUT WRITTEN PERMISSION |                    |  |                              |                           |



Компания «ЭлектроПласт» предлагает заключение долгосрочных отношений при поставках импортных электронных компонентов на взаимовыгодных условиях!

Наши преимущества:

- Оперативные поставки широкого спектра электронных компонентов отечественного и импортного производства напрямую от производителей и с крупнейших мировых складов;
- Поставка более 17-ти миллионов наименований электронных компонентов;
- Поставка сложных, дефицитных, либо снятых с производства позиций;
- Оперативные сроки поставки под заказ (от 5 рабочих дней);
- Экспресс доставка в любую точку России;
- Техническая поддержка проекта, помощь в подборе аналогов, поставка прототипов;
- Система менеджмента качества сертифицирована по Международному стандарту ISO 9001;
- Лицензия ФСБ на осуществление работ с использованием сведений, составляющих государственную тайну;
- Поставка специализированных компонентов (Xilinx, Altera, Analog Devices, Intersil, Interpoint, Microsemi, Aeroflex, Peregrine, Syfer, Eurofarad, Texas Instrument, Miteq, Cobham, E2V, MA-COM, Hittite, Mini-Circuits, General Dynamics и др.);

Помимо этого, одним из направлений компании «ЭлектроПласт» является направление «Источники питания». Мы предлагаем Вам помощь Конструкторского отдела:

- Подбор оптимального решения, техническое обоснование при выборе компонента;
- Подбор аналогов;
- Консультации по применению компонента;
- Поставка образцов и прототипов;
- Техническая поддержка проекта;
- Защита от снятия компонента с производства.



#### Как с нами связаться

**Телефон:** 8 (812) 309 58 32 (многоканальный)

**Факс:** 8 (812) 320-02-42

**Электронная почта:** [org@eplast1.ru](mailto:org@eplast1.ru)

**Адрес:** 198099, г. Санкт-Петербург, ул. Калинина, дом 2, корпус 4, литера А.