

Reduce inventory levels and cost by stocking actuators and base switches separately.

**Contura II, III, IV, V, X, XI, XII Base switches separately:** specify V with code selections 2-8 in the ordering schemes.

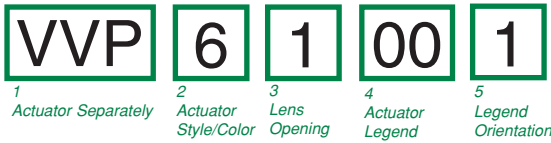
**Contura II, III, IV, V Actuator only:** VV with code A or C for selection 9, & with selections 10-14 in the ordering schemes.

**Panel Seal:** VPS

**Contura II, III, IV, V Actuator only:** VV with code A, C, E, G or P for selection 9 & with selections 10-14 in the ordering schemes.

**Contura X, XI, XII actuators with lenses separately:** VV with code selections 9-14 in the ordering schemes.

### Contura X & XI actuators without lenses separately:



|  |                 |      |   |     |   |    |    |   |  |
|--|-----------------|------|---|-----|---|----|----|---|--|
| <b>1 CONTURA X &amp; XI ACTUATOR SEPARATELY</b><br>VVP             |                 |      |   |     |   |    |    |   |  |
| <b>2 ACTUATOR STYLE &amp; COLOR</b>                                |                 |      |   |     |   |    |    |   |  |
|  | Black           | Gray | White   | Red |   |    |    |   |  |
| Contura X  | 1               | 2    | 3   | 4   |   |    |    |   |  |
| Contura XI   | 6               | 7    | 8   | 9   |   |    |    |   |  |
| <b>3 LENS OPENING FOR<sup>1</sup></b>                              |                 |      |   |     |   |    |    |   |  |
| 1  | One bar lens    | 4    | Two Square lens   |     |   |    |    |   |  |
| 2  | One bar lenses  | 5    | Square lens on top/<br>bar lens on bottom<br>(Contura X only) |     |   |    |    |   |  |
| 3  | One Square lens |      |   |     |   |    |    |   |  |
| <b>4 ACTUATOR LENS OR BODY LEGEND</b>                              |                 |      |   |     |   |    |    |   |  |
| 00 - No Legend this location                                       |                 |      |   |     |   |    |    |   |  |
| 11   | ON              | 12   | OFF   | 13  | I | 14 | O  |   |  |
|  | OFF             |      | ON  |     | O |    | I  |   |  |
| 15   | O               | 16   | O   | 17  | O | I  | 18 | I |  |
|  | F               |      | N   |     | N | F  |    |   |  |
|  | F               |      | F   |     | F |    |    |   |  |
| For additional legend options & codes, see page 69 of this catalog |                 |      |   |     |   |    |    |   |  |
| <b>5 LEGEND ORIENTATION<sup>2</sup></b>                            |                 |      |   |     |   |    |    |   |  |
| 0  | No legend       |      |   |     |   |    |    |   |  |
| 1  | Orientation 1   |      |   |     |   |    |    |   |  |
| 2  | Orientation 2   |      |   |     |   |    |    |   |  |
| 3  | Orientation 3   |      |   |     |   |    |    |   |  |
| 4  | Orientation 4   |      |   |     |   |    |    |   |  |

### Contura X, XI & XII top piece of 2-piece lens separately:

|                      |            |  |
|----------------------|------------|--|
| <b>VVT 1</b>         |            | <b>1 TOP OF LENS SEPARATELY</b><br>VVT |
| 1<br>Lens Separately | 2<br>Color | <b>2 COLOR</b>                         |
|                      |            | 1 Clear 2 Smoke 3 White                |

### Contura X, XI & XII actuator lens assembly:

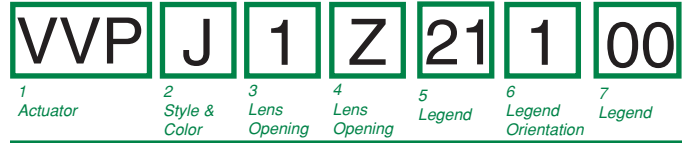
actuator stem      top lens

posts mount toward actuator stem      bottom lens } two piece lens assembly

1 piece lens/bar lens are positioned the same as bottom lens for assembly, minus the top lens. Lenses snap in from bottom.

- NOTES**
- 1 If actuator lens opening for 2 bar or 2 square lenses, legend orientation 0, 1, or 2 must be chosen.
  - 2 Center of actuator marking not available for Contura XII.
  - 3 Legend is not available for bar style lens.
  - 4 Not recommended with neon lamps.
  - 5 Must also order top piece of 2 piece square lens separately.

### Contura XII actuators without lenses separately:



|   |               |    |          |    |             |    |     |    |   |  |
|---|---------------|----|----------|----|-------------|----|-----|----|---|--|
| <b>1 CONTURA XII ACTUATOR SEPARATELY</b><br>VVP                     |               |    |          |    |             |    |     |    |   |  |
| <b>2 ACTUATOR STYLE &amp; COLOR</b>                                 |               |    |          |    |             |    |     |    |   |  |
| J   | Black         | K  | Gray     | N  | White       | M  | Red |    |   |  |
| <b>3,4 LENS OPENING FOR</b>   |               |    |          |    |             |    |     |    |   |  |
| Z   | No lens       | 1  | Bar lens | 2  | Square lens |    |     |    |   |  |
| <b>5, 7 LENS OR BODY LEGEND<sup>2</sup></b>                         |               |    |          |    |             |    |     |    |   |  |
| 00  | no legend     | 21 | OFF      | 22 | ON          | 23 | O   | 24 | I |  |
|   |               |    |          |    |             |    |     |    |   |  |
|   |               | 25 | O        | 26 | O           | 27 | O   | 28 | I |  |
|   |               |    | F        |    | N           |    | F   |    |   |  |
| For additional legend options & codes, see page 69 of this catalog. |               |    |          |    |             |    |     |    |   |  |
| <b>6 LEGEND ORIENTATION<sup>3</sup></b>                             |               |    |          |    |             |    |     |    |   |  |
| 0   | No legend     |    |          |    |             |    |     |    |   |  |
| 1   | Orientation 1 |    |          |    |             |    |     |    |   |  |
| 2   | Orientation 2 |    |          |    |             |    |     |    |   |  |

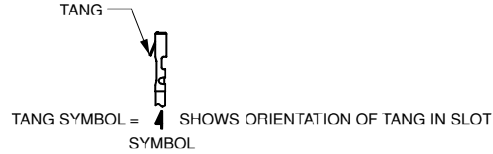
### Contura X, XI & XII actuator lens assembly separately:

|   |                 |                 |                       |                         |  |    |                    |   |     |   |                   |
|---|-----------------|-----------------|-----------------------|-------------------------|--|----|--------------------|---|-----|---|-------------------|
| <b>VVL 2 1 00 0</b>   |                 |                 |                       |                         |  |    |                    |   |     |   |                   |
| 1<br>Lens Separately  | 2<br>Lens Style | 3<br>Lens Color | 4<br>Legend           | 5<br>Legend Orientation |  |    |                    |   |     |   |                   |
| <b>1 CONTURA X, XI &amp; XII LENS SEPARATELY</b><br>VVL             |                 |                 |                       |                         |  |    |                    |   |     |   |                   |
| <b>2 LENS STYLE<sup>3</sup></b>                                     |                 |                 |                       |                         |  |    |                    |   |     |   |                   |
| 1   | Bar lens        | 2               | One Piece Square lens | 3                       | Bottom of Two-Piece Square lens <sup>5</sup> |    |                    |   |     |   |                   |
| <b>3 TRANSLUCENT LENS COLOR</b>                                     |                 |                 |                       |                         |  |    |                    |   |     |   |                   |
| 1   | Clear           | 2               | White                 | 3                       | Amber  | 4  | Green <sup>4</sup> | 5 | Red | 6 | Blue <sup>4</sup> |
| <b>4 LENS OR BODY LEGEND<sup>2</sup></b>                            |                 |                 |                       |                         |  |    |                    |   |     |   |                   |
| 00  | No legend       |                 |                       |                         |  |    |                    |   |     |   |                   |
| 21  | OFF             | 22              | ON                    | 23                      | O  | 24 | I                  |   |     |   |                   |
|   |                 |                 |                       |                         |  |    |                    |   |     |   |                   |
|   | 25              | O               | 26                    | O                       | 27   | O  | 28                 | I |     |   |                   |
|   |                 | F               |                       | N                       |  | F  |                    |   |     |   |                   |
| For additional legend options & codes, see page 69 of this catalog. |                 |                 |                       |                         |  |    |                    |   |     |   |                   |
| <b>5 LEGEND ORIENTATION<sup>3</sup></b>                             |                 |                 |                       |                         |  |    |                    |   |     |   |                   |
| 0   | No legend       |                 |                       |                         |  |    |                    |   |     |   |                   |
| 1   | Orientation 1   |                 |                       |                         |  |    |                    |   |     |   |                   |
| 2   | Orientation 2   |                 |                       |                         |  |    |                    |   |     |   |                   |
| 3   | Orientation 3   |                 |                       |                         |  |    |                    |   |     |   |                   |
| 4   | Orientation 4   |                 |                       |                         |  |    |                    |   |     |   |                   |

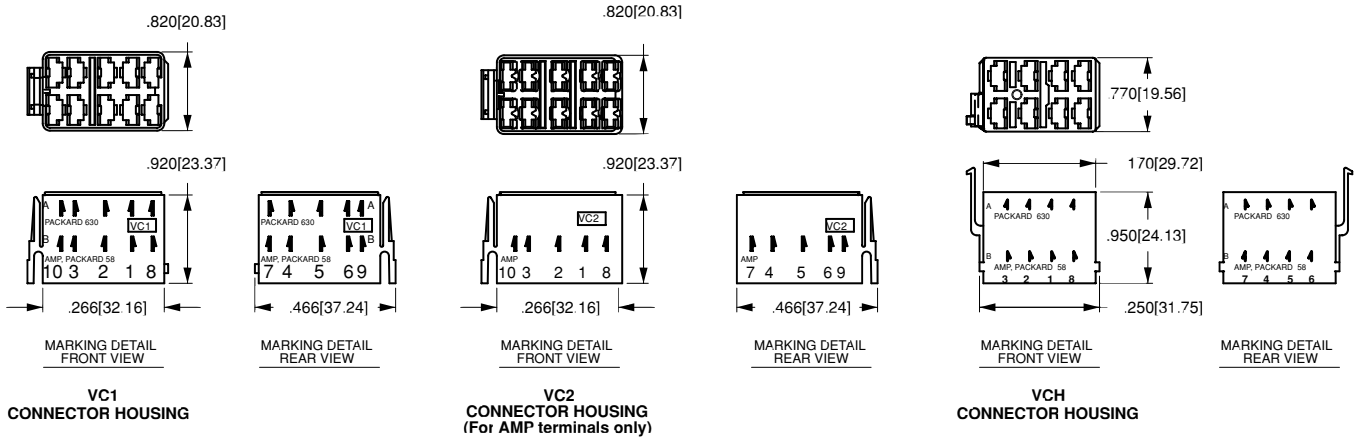
## Easily integrate Contura products into your system, with Contura Accessories

### Contura Connectors

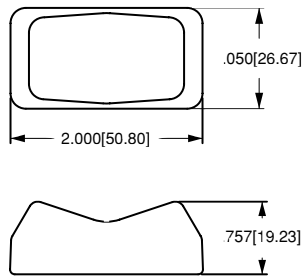
| Q.C. SELECTION GUIDE          |             |                  |                 |                  |             |
|-------------------------------|-------------|------------------|-----------------|------------------|-------------|
| COMPANY SERIES                | PART NO     |                  | WIRE RANGE      |                  | ORIENTATION |
|                               | PLAIN BRASS | TIN PLATED BRASS | AWG             | MM (REF)         |             |
| PACKARD 58 SERIES             | 02965580    |                  | 12              | 3.0              | B           |
|                               | 02965471    | 12010601         | (2)16-14        | (2)1.0-2.0       |             |
|                               | 02965470    |                  | 16-14           | 1.0-2.0          |             |
|                               | 02965469    | 06288318         | 20-18           | .5-.8            |             |
| PACKARD METRI-PACK 630 SERIES |             | 12084590         | 12              | 3.0              | A           |
|                               |             | 12052224         | 12              | 3.0              |             |
|                               |             | 12015870         | 16-14           | 1.0-2.0          |             |
|                               |             | 12020035         | (2)22-18        | (2).5-.8         |             |
|                               | 12015832    | 12015869         | 20-18           | .5-.8            |             |
|                               |             | 12052222         | 20-22           | .35-.5           |             |
| AMP 250 SERIES FASTIN-FASTON  | 60253-1     | 60253-2          | 16-12<br>(2) 16 | 1.3-3<br>(2) 1.3 | B           |
|                               | 42100-1     | 42100-2          | 18-14           | .8-2             |             |
|                               | 60295-1     | 60295-2          | 22-18           | .3-.9            |             |



**NOTE:** Consult Delphi Packard and/or Amp or actual part numbers and availability.  
AMP is a registered trademark of AMP Inc. Harrisburg, PA  
Delphi Packard is a registered trademark of Delphi-Packard Electrical Systems Warren, Ohio

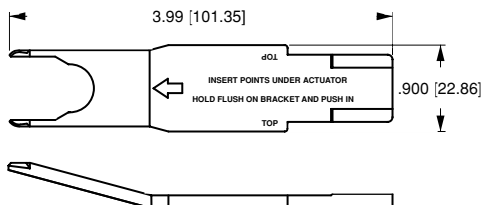


### Contura X Boot



VB1-01  
CONTURA X BOOT

### Contura II, III, IV & V Actuator Removal Tool

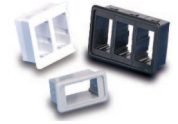
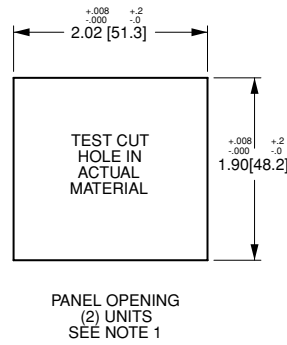
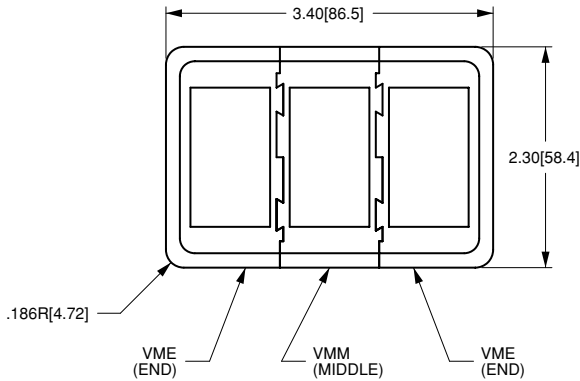


VRT  
ACTUATOR REMOVAL  
TOOL  
(For flush bracket)



## Contura Mounting Panels

### Dimensional Specifications: in. [mm]



PANEL THICKNESS:  
TOLERANCE:

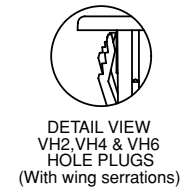
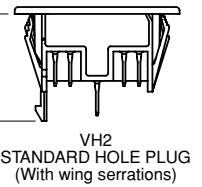
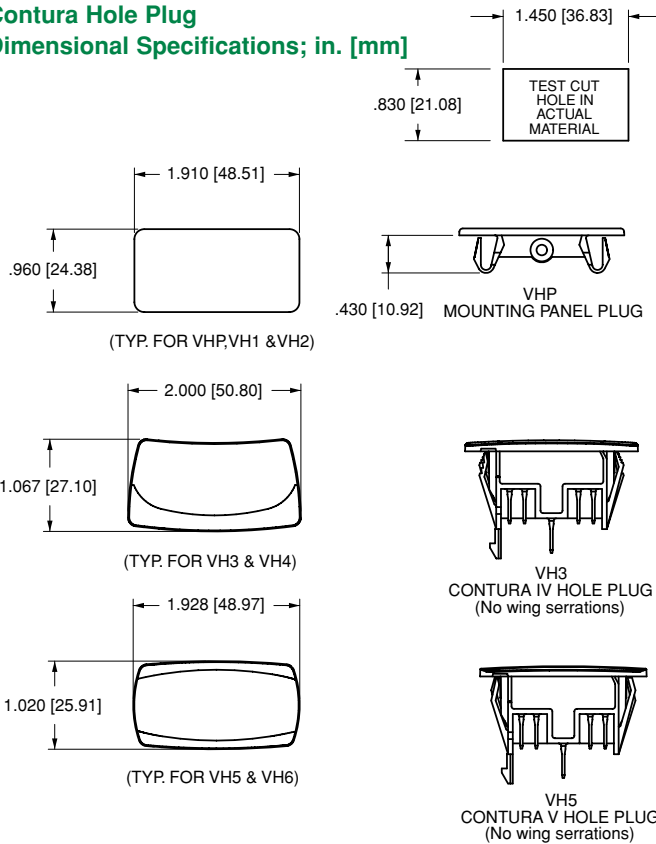
.062[1.57]  
.093[2.36]  
.125[3.17]  
.187[4.75]  
.250[6.35]  
.375[9.52]

**NOTES:**

1. FOR ADDITIONAL UNITS, ADD 1.03 [26.2] PER UNIT.
2. FOR MORE THAN 2 V-SERIES SWITCHES, ADD MIDDLE SECTION.

## Contura Hole Plug

### Dimensional Specifications; in. [mm]



## Additional V-Series Ratings

- |           |   |          |  |
|-----------|---|----------|--|
| <b>1</b>  | .4VA @ 28VDC Resistive  | <b>L</b> | 15A 125 VAC, 10A 250VAC, 1/2 HP 125-250 VAC; 6A 125 VAC L  |
| <b>4</b>  | 10A 250VAC 1/2 HP, 15A 125 VAC 1/2 H, No Agency Listings            | <b>M</b> | .4VA/20A 12V (combi-contact)<br>(combination gold/silver contacts for borderline dry circuit applications) |
| <b>5</b>  | 10A 250VAC 1/2 HP, 15A 125 VAC 1/2 HP, UL Recognized, CSA Certified | <b>N</b> | .4VA/15A 24V (combi-contact)<br>(combination gold/silver contacts for borderline dry circuit applications) |
| <b>6*</b> | 15A 125VAC 1/2 HP, 12(2)A 125 VAC $\mu$ T85                         |          |  |
| <b>7*</b> | 15A 125VAC 1/2 HP, 12(6)A 125 VAC T85                               |          |  |
| <b>8*</b> | 10A 250VAC, 15A 125VAC, 1/2 HP 125-250VAC, 12(2)A 250 VAC $\mu$ T85 |          |  |
| <b>9*</b> | 10A 250VAC, 15A 125VAC, 1/2 HP 125-250VAC, 12(6)A 250 VAC T85       |          |  |
| <b>B</b>  | 15A 24V   |          |  |
| <b>C</b>  | 20A 18V   |          |  |
| <b>D</b>  | 20A 12V   |          |  |
| <b>E</b>  | 20A 14V, 10A 14VT (circuits 1, 4, A, & D only)                      |          |  |
| <b>F</b>  | 10A 14V, 6A, 14VT (circuit G only)                                  |          |  |
| <b>G</b>  | 20A 6V  |          |  |
| <b>H</b>  | 20A 3V  |          |  |

**NOTES**

Consult factory to determine availability for individual circuits.  
 \* Ratings 6 - 9 are UL, CSA, VDE, DEMKO, SEMKO, NEMKO, FIMKO & BEAB certified, require terminations A or B for double pole circuits, & are not available with illumination circuits 4, 8, D, J, N, & T or with wire lead or solder lug terminations. Circuits 1, 4, A & D are not available with rating 6 & 8. Rating 7 & 9 only available with circuits 1, 4, A & D. Circuits 2, 3, 5, 7, 8, K, L are 1/2 HP 250VAC only with rating 8. Ratings 6 & 7 must specify lamp code 1 (125VAC neon). Ratings 8 & 9 must specify lamp code 2 (250VAC neon). Rating L available with circuits 1, 4, A & D only.



Компания «ЭлектроПласт» предлагает заключение долгосрочных отношений при поставках импортных электронных компонентов на взаимовыгодных условиях!

Наши преимущества:

- Оперативные поставки широкого спектра электронных компонентов отечественного и импортного производства напрямую от производителей и с крупнейших мировых складов;
- Поставка более 17-ти миллионов наименований электронных компонентов;
- Поставка сложных, дефицитных, либо снятых с производства позиций;
- Оперативные сроки поставки под заказ (от 5 рабочих дней);
- Экспресс доставка в любую точку России;
- Техническая поддержка проекта, помощь в подборе аналогов, поставка прототипов;
- Система менеджмента качества сертифицирована по Международному стандарту ISO 9001;
- Лицензия ФСБ на осуществление работ с использованием сведений, составляющих государственную тайну;
- Поставка специализированных компонентов (Xilinx, Altera, Analog Devices, Intersil, Interpoint, Microsemi, Aeroflex, Peregrine, Syfer, Eurofarad, Texas Instrument, Miteq, Cobham, E2V, MA-COM, Hittite, Mini-Circuits, General Dynamics и др.);

Помимо этого, одним из направлений компании «ЭлектроПласт» является направление «Источники питания». Мы предлагаем Вам помощь Конструкторского отдела:

- Подбор оптимального решения, техническое обоснование при выборе компонента;
- Подбор аналогов;
- Консультации по применению компонента;
- Поставка образцов и прототипов;
- Техническая поддержка проекта;
- Защита от снятия компонента с производства.



#### Как с нами связаться

**Телефон:** 8 (812) 309 58 32 (многоканальный)

**Факс:** 8 (812) 320-02-42

**Электронная почта:** [org@eplast1.ru](mailto:org@eplast1.ru)

**Адрес:** 198099, г. Санкт-Петербург, ул. Калинина, дом 2, корпус 4, литера А.