

Reduce inventory levels and cost by stocking actuators and base switches separately.

Contura II, III, IV, V, X, XI, XII Base switches separately: specify V with code selections 2-8 in the ordering schemes.

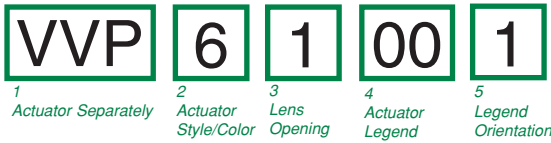
Contura II, III, IV, V Actuator only: VV with code A or C for selection 9, & with selections 10-14 in the ordering schemes.

Panel Seal: VPS

Contura II, III, IV, V Actuator only: VV with code A, C, E, G or P for selection 9 & with selections 10-14 in the ordering schemes.

Contura X, XI, XII actuators with lenses separately: VV with code selections 9-14 in the ordering schemes.

Contura X & XI actuators without lenses separately:



| | | | | | | | | |
|--|-----------------|------|---|-----|---|----|----|--|
| 1 CONTURA X & XI ACTUATOR SEPARATELY VVP | | | | | | | | |
| 2 ACTUATOR STYLE & COLOR | | | | | | | | |
| | Black | Gray | White | Red | | | | |
| Contura X | 1 | 2 | 3 | 4 | | | | |
| Contura XI | 6 | 7 | 8 | 9 | | | | |
| 3 LENS OPENING FOR¹ | | | | | | | | |
| 1 | One bar lens | 4 | Two Square lens | | | | | |
| 2 | One bar lenses | 5 | Square lens on top/ bar lens on bottom (Contura X only) | | | | | |
| 3 | One Square lens | | | | | | | |
| 4 ACTUATOR LENS OR BODY LEGEND | | | | | | | | |
| 00 - No Legend this location | | | | | | | | |
| 11 | ON | 12 | OFF | 13 | | 14 | O | |
| | OFF | | ON | | O | | | |
| 15 | O | 16 | O | 17 | O | | 18 | |
| | F | | N | | N | | F | |
| | F | | F | | F | | | |
| For additional legend options & codes, see page 69 of this catalog | | | | | | | | |
| 5 LEGEND ORIENTATION² | | | | | | | | |
| 0 | No legend | | | | | | | |
| 1 | Orientation 1 | | | | | | | |
| 2 | Orientation 2 | | | | | | | |
| 3 | Orientation 3 | | | | | | | |
| 4 | Orientation 4 | | | | | | | |

Contura X, XI & XII top piece of 2-piece lens separately:

| | | |
|-----------------|-------|--|
| VVT 1 | | 1 TOP OF LENS SEPARATELY VVT |
| 1 | 2 | |
| Lens Separately | Color | |
| 2 COLOR | | |
| 1 | 2 | 3 |
| Clear | Smoke | White |

Contura X, XI & XII actuator lens assembly:

actuator stem

top lens

posts mount toward actuator stem

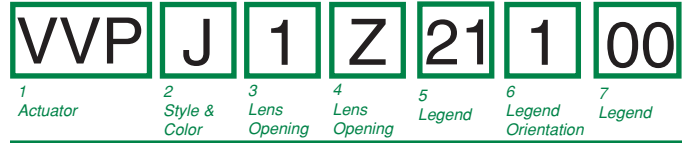
bottom lens

two piece lens assembly

1 piece lens/bar lens are positioned the same as bottom lens for assembly, minus the top lens. Lenses snap in from bottom.

- NOTES**
- 1 If actuator lens opening for 2 bar or 2 square lenses, legend orientation 0, 1, or 2 must be chosen.
 - 2 Center of actuator marking not available for Contura XII.
 - 3 Legend is not available for bar style lens.
 - 4 Not recommended with neon lamps.
 - 5 Must also order top piece of 2 piece square lens separately.

Contura XII actuators without lenses separately:



| | | | | | | | | | | |
|---|---------------|-------------|-----|----|----|----|---|----|--|--|
| 1 CONTURA XII ACTUATOR SEPARATELY VVP | | | | | | | | | | |
| 2 ACTUATOR STYLE & COLOR | | | | | | | | | | |
| J | K | N | M | | | | | | | |
| Black | Gray | White | Red | | | | | | | |
| 3,4 LENS OPENING FOR | | | | | | | | | | |
| Z | 1 | 2 | | | | | | | | |
| No lens | Bar lens | Square lens | | | | | | | | |
| 5, 7 LENS OR BODY LEGEND² | | | | | | | | | | |
| 00 | no legend | 21 | OFF | 22 | ON | 23 | O | 24 | | |
| | | | | | | | | | | |
| | | 25 | O | 26 | O | 27 | O | 28 | | |
| | | | F | | F | | N | | | |
| For additional legend options & codes, see page 69 of this catalog. | | | | | | | | | | |
| 6 LEGEND ORIENTATION³ | | | | | | | | | | |
| 0 | No legend | | | | | | | | | |
| 1 | Orientation 1 | | | | | | | | | |
| 2 | Orientation 2 | | | | | | | | | |

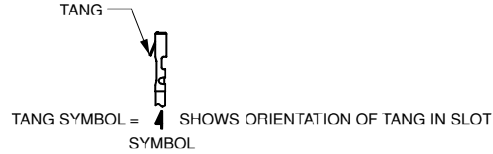
Contura X, XI & XII actuator lens assembly separately:

| | | | | | | | | |
|---|-----------------------|------------|--|--------------------|-------------------|----|----|--|
| VVL 2 1 00 0 | | | | | | | | |
| 1 | 2 | 3 | 4 | 5 | | | | |
| Lens Separately | Lens Style | Lens Color | Legend | Legend Orientation | | | | |
| 1 CONTURA X, XI & XII LENS SEPARATELY VVL | | | | | | | | |
| 2 LENS STYLE³ | | | | | | | | |
| 1 | 2 | 3 | Bottom of Two-Piece Square lens ⁵ | | | | | |
| Bar lens | One Piece Square lens | | | | | | | |
| 3 TRANSLUCENT LENS COLOR | | | | | | | | |
| 1 | 2 | 3 | 4 | 5 | 6 | | | |
| Clear | White | Amber | Green ⁴ | Red | Blue ⁴ | | | |
| 4 LENS OR BODY LEGEND² | | | | | | | | |
| 00 | No legend | | | | | | | |
| 21 | OFF | 22 | ON | 23 | O | 24 | | |
| | | | | | | | | |
| | 25 | O | 26 | O | 27 | O | 28 | |
| | | F | | N | | | | |
| | | F | | | | | | |
| For additional legend options & codes, see page 69 of this catalog. | | | | | | | | |
| 5 LEGEND ORIENTATION³ | | | | | | | | |
| 0 | No legend | | | | | | | |
| 1 | Orientation 1 | | | | | | | |
| 2 | Orientation 2 | | | | | | | |
| 3 | Orientation 3 | | | | | | | |
| 4 | Orientation 4 | | | | | | | |

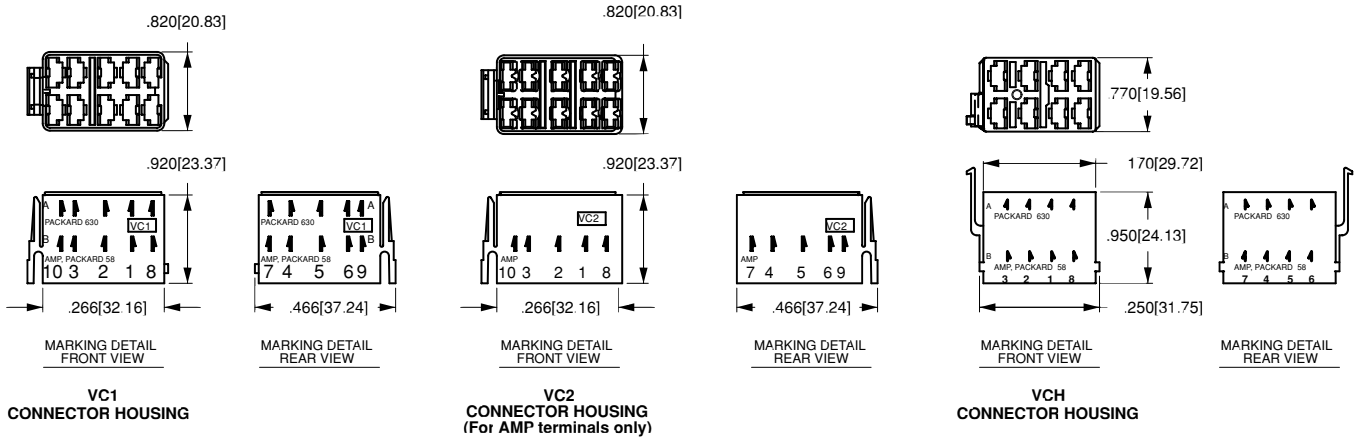
Easily integrate Contura products into your system, with Contura Accessories

Contura Connectors

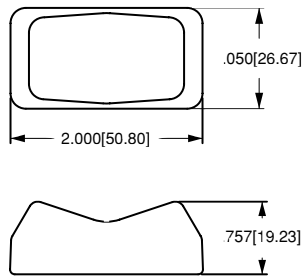
| Q.C. SELECTION GUIDE | | | | | |
|-------------------------------|-------------|------------------|-----------------|------------------|-------------|
| COMPANY SERIES | PART NO | | WIRE RANGE | | ORIENTATION |
| | PLAIN BRASS | TIN PLATED BRASS | AWG | MM (REF) | |
| PACKARD 58 SERIES | 02965580 | | 12 | 3.0 | B |
| | 02965471 | 12010601 | (2)16-14 | (2)1.0-2.0 | |
| | 02965470 | | 16-14 | 1.0-2.0 | |
| | 02965469 | 06288318 | 20-18 | .5-.8 | |
| PACKARD METRI-PACK 630 SERIES | | 12084590 | 12 | 3.0 | A |
| | | 12052224 | 12 | 3.0 | |
| | | 12015870 | 16-14 | 1.0-2.0 | |
| | | 12020035 | (2)22-18 | (2).5-.8 | |
| | 12015832 | 12015869 | 20-18 | .5-.8 | |
| | | 12052222 | 20-22 | .35-.5 | |
| AMP 250 SERIES FASTIN-FASTON | 60253-1 | 60253-2 | 16-12 (2) 16 | 1.3-3 (2) 1.3 | B |
| | 42100-1 | 42100-2 | 18-14 | .8-2 | |
| | 60295-1 | 60295-2 | 22-18 | .3-.9 | |



NOTE: Consult Delphi Packard and/or Amp or actual part numbers and availability.
 AMP is a registered trademark of AMP Inc. Harrisburg, PA
 Delphi Packard is a registered trademark of Delphi-Packard Electrical Systems Warren, Ohio

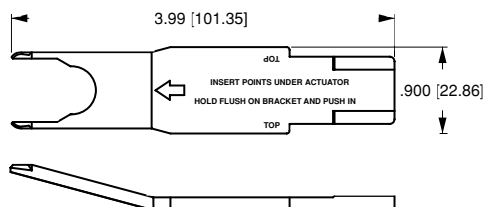


Contura X Boot



**VB1-01
CONTURA X BOOT**

Contura II, III, IV & V Actuator Removal Tool

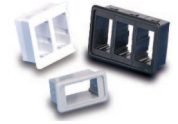
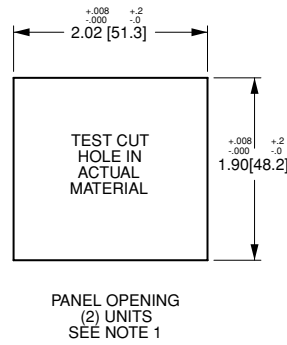
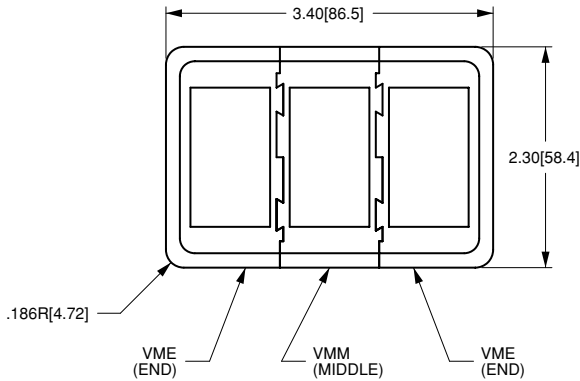


**VRT
ACTUATOR REMOVAL
TOOL
(For flush bracket)**



Contura Mounting Panels

Dimensional Specifications: in. [mm]



PANEL THICKNESS:
TOLERANCE:

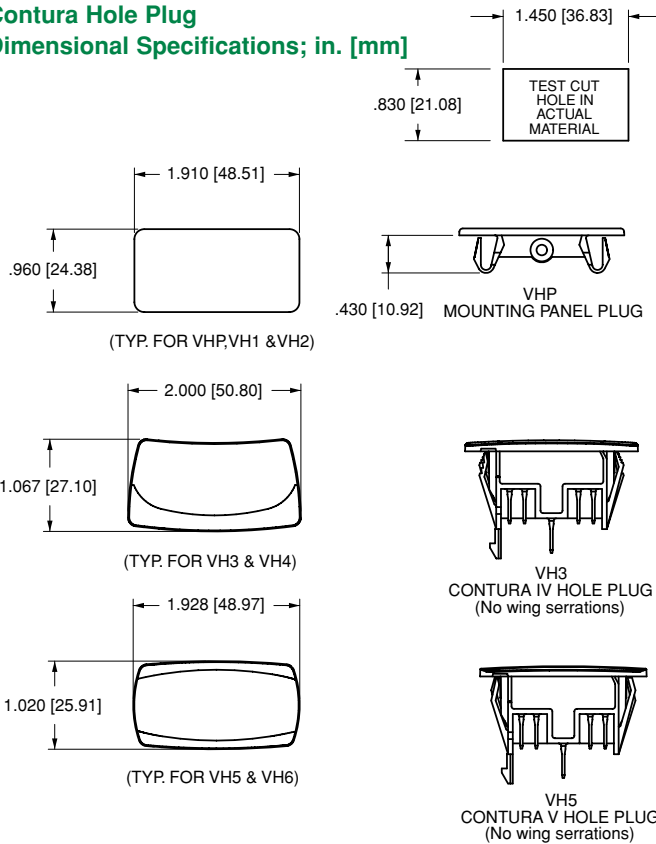
- .062 [1.57]
- .093 [2.36]
- .125 [3.17]
- .187 [4.75]
- .250 [6.35]
- .375 [9.52]

NOTES:

1. FOR ADDITIONAL UNITS, ADD 1.03 [26.2] PER UNIT.
2. FOR MORE THAN 2 V-SERIES SWITCHES, ADD MIDDLE SECTION.

Contura Hole Plug

Dimensional Specifications; in. [mm]



VHP
MOUNTING PANEL PLUG

VH1
STANDARD HOLE PLUG
(No wing serrations)
(With VC1 connector attached)

VH3
CONTURA IV HOLE PLUG
(No wing serrations)

VH5
CONTURA V HOLE PLUG
(No wing serrations)

VH4
CONTURA IV HOLE PLUG
(With wing serrations)

VH6
CONTURA V HOLE PLUG
(With wing serrations)



VH2
STANDARD HOLE PLUG
(With wing serrations)

DETAIL VIEW
VH1, VH3 & VH5
HOLE PLUGS
(No wing serrations
for ease of removal)

DETAIL VIEW
VH2, VH4 & VH6
HOLE PLUGS
(With wing serrations)

Additional V-Series Ratings

- | | |
|---|---|
| <p>1 .4VA @ 28VDC Resistive</p> <p>4 10A 250VAC 1/2 HP, 15A 125 VAC 1/2 H, No Agency Listings</p> <p>5 10A 250VAC 1/2 HP, 15A 125 VAC 1/2 HP, UL Recognized, CSA Certified</p> <p>6* 15A 125VAC 1/2 HP, 12(2)A 125 VAC μ T85</p> <p>7* 15A 125VAC 1/2 HP, 12(6)A 125 VAC T85</p> <p>8* 10A 250VAC, 15A 125VAC, 1/2 HP 125-250VAC, 12(2)A 250 VAC μ T85</p> <p>9* 10A 250VAC, 15A 125VAC, 1/2 HP 125-250VAC, 12(6)A 250 VAC T85</p> <p>B 15A 24V</p> <p>C 20A 18V</p> <p>D 20A 12V</p> <p>E 20A 14V, 10A 14VT (circuits 1, 4, A, & D only)</p> <p>F 10A 14V, 6A, 14VT (circuit G only)</p> <p>G 20A 6V</p> <p>H 20A 3V</p> | <p>L 15A 125 VAC, 10A 250VAC, 1/2 HP 125-250 VAC; 6A 125 VAC L</p> <p>M .4VA/20A 12V (combi-contact) (combination gold/silver contacts for borderline dry circuit applications)</p> <p>N .4VA/15A 24V (combi-contact) (combination gold/silver contacts for borderline dry circuit applications)</p> |
|---|---|

NOTES

Consult factory to determine availability for individual circuits.
* Ratings 6 - 9 are UL, CSA, VDE, DEMKO, SEMKO, NEMKO, FIMKO & BEAB certified, require terminations A or B for double pole circuits, & are not available with illumination circuits 4, 8, D, J, N, & T or with wire lead or solder lug terminations. Circuits 1, 4, A & D are not available with rating 6 & 8. Rating 7 & 9 only available with circuits 1, 4, A & D. Circuits 2, 3, 5, 7, 8, K, L are 1/2 HP 250VAC only with rating 8. Ratings 6 & 7 must specify lamp code 1 (125VAC neon). Ratings 8 & 9 must specify lamp code 2 (250VAC neon). Rating L available with circuits 1, 4, A & D only.



Компания «ЭлектроПласт» предлагает заключение долгосрочных отношений при поставках импортных электронных компонентов на взаимовыгодных условиях!

Наши преимущества:

- Оперативные поставки широкого спектра электронных компонентов отечественного и импортного производства напрямую от производителей и с крупнейших мировых складов;
- Поставка более 17-ти миллионов наименований электронных компонентов;
- Поставка сложных, дефицитных, либо снятых с производства позиций;
- Оперативные сроки поставки под заказ (от 5 рабочих дней);
- Экспресс доставка в любую точку России;
- Техническая поддержка проекта, помощь в подборе аналогов, поставка прототипов;
- Система менеджмента качества сертифицирована по Международному стандарту ISO 9001;
- Лицензия ФСБ на осуществление работ с использованием сведений, составляющих государственную тайну;
- Поставка специализированных компонентов (Xilinx, Altera, Analog Devices, Intersil, Interpoint, Microsemi, Aeroflex, Peregrine, Syfer, Eurofarad, Texas Instrument, Miteq, Cobham, E2V, MA-COM, Hittite, Mini-Circuits, General Dynamics и др.);

Помимо этого, одним из направлений компании «ЭлектроПласт» является направление «Источники питания». Мы предлагаем Вам помощь Конструкторского отдела:

- Подбор оптимального решения, техническое обоснование при выборе компонента;
- Подбор аналогов;
- Консультации по применению компонента;
- Поставка образцов и прототипов;
- Техническая поддержка проекта;
- Защита от снятия компонента с производства.



Как с нами связаться

Телефон: 8 (812) 309 58 32 (многоканальный)

Факс: 8 (812) 320-02-42

Электронная почта: org@eplast1.ru

Адрес: 198099, г. Санкт-Петербург, ул. Калинина, дом 2, корпус 4, литера А.