

### Main

|                           |   |
|---------------------------|---|
| Range of product          | Preventa XY2  |
| Product or component type | Latching emergency stop rope pull switch                                |
| Device short name         | XY2CE   |
| Housing colour            | Red RAL 3000  |
| Overvoltage category      | Class I conforming to EN/IEC 61140<br>Class I conforming to NF C 20-030 |

### Complementary

|  |   |
|--|---|
| Local signalling                             | Without pilot light   |
| Number of cables                             | 1   |
| Trigger cable maximum length                 | 229.66 ft (70 m)  |
| Body material                                | Zamak   |
| Cover material                               | Stainless steel   |
| Reset  | By booted push-button   |
| Contacts type and composition                | 1 NC + 1 NO   |
| Contact operation                            | Slow-break  |
| Trigger cable anchor point                   | RH side   |
| Connections - terminals                      | Screw clamp terminal 1 x 0.5...2 x 1.5 mm <sup>2</sup>  |
| Tightening torque                            | 7.08...10.62 lbf.in (0.8...1.2 N.m)   |
| Cable entry number                           | 3 plain hole Pg 13.5 or ISO M20 cable gland   |
| Safety level                                 | Can reach category 4 with the appropriate monitoring system and correctly wired conforming to EN/ISO 13849-1<br>Can reach PL = e with the appropriate monitoring system and correctly wired conforming to EN/ISO 13849-1<br>Can reach SIL 3 with the appropriate monitoring system and correctly wired conforming to EN/IEC 61508 |
| Safety reliability data                      | B10d = 300000 with value given for a life time of 20 years limited by mechanical or contact wear conforming to IEC 60947-5-5  |
| Marking                                      | CE  |
| Mechanical durability                        | 60000 cycles  |
| Distance between cable supports              | 16.4 ft (5 m)   |
| [Ie] rated operational current               | 3 A at 240 V AC-15, A300 conforming to EN/IEC 60947-5-1 appendix A<br>0.27 A at 250 V DC-13, Q300 conforming to EN/IEC 60947-5-1 appendix A   |
| [Ithe] conventional enclosed thermal current | 10 A  |
| [Ui] rated insulation voltage                | 500 V (degree of pollution: 3) conforming to EN/IEC 60947-1<br>300 V (degree of pollution: conforming to UL 508<br>300 V (degree of pollution: conforming to CSA C22.2 No 14  |
| [Uimp] rated impulse withstand voltage       | 6 kV conforming to EN/IEC 60947-1   |
| Positive opening                             | With conforming to EN/IEC 60947-5-1   |
| Resistance across terminals                  | <= 25 MOhm conforming to NF C 93-050 method A<br><= 25 MOhm conforming to EN/IEC 60255-7 category 3   |
| Short-circuit protection                     | 10 A by gG cartridge fuse conforming to EN/IEC 60269  |
| Terminals description ISO n°1                | (13-14)NO<br>(21-22)NC  |
| Product weight                               | 3.2 lb(US) (1.45 kg)  |

### Environment

|                                       |   |
|---------------------------------------|---|
| standards                             | EN/IEC 60204-1<br>EN/IEC 60947-5-1<br>EN/IEC 60947-5-5<br>EN/ISO 13850<br>UL 508<br>Machinery directive 2006/42/EC<br>CSA C22.2 No 14<br>Work equipment directive 2009/104/EC |
| product certifications                | UL category NISD emergency stop devices<br>CSA<br>CCC   |
| protective treatment                  | TC  |
| ambient air temperature for operation | -13...158 °F (-25...70 °C)  |
| ambient air temperature for storage   | -40...158 °F (-40...70 °C)  |
| vibration resistance                  | 10 gn (f = 10...300 Hz) conforming to EN/IEC 60068-2-6  |
| shock resistance                      | 50 gn 11 ms conforming to EN/IEC 60068-2-27   |
| IP degree of protection               | IP66 conforming to IEC 60529  |

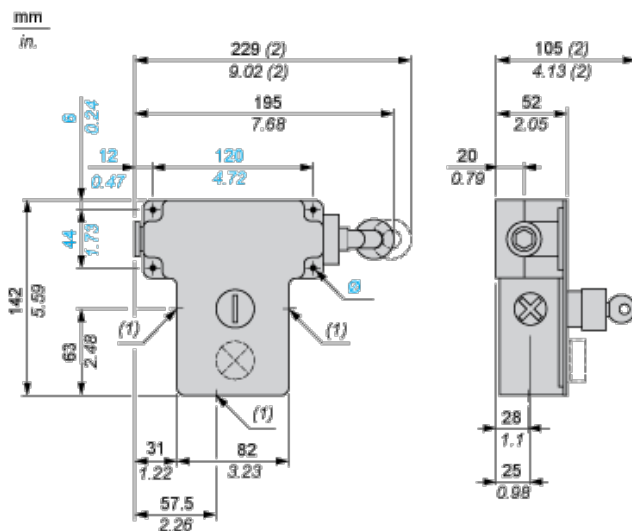
## Offer Sustainability

|  |  |
|--|--|
| Green Premium product  | Green Premium product  |
| Compliant - since 0931 - Schneider Electric declaration of conformity  | Compliant - since 0931 - Schneider Electric declaration of conformity  |
| Reference not containing SVHC above the threshold  | Reference not containing SVHC above the threshold  |
| Available  | Available  |
| Need no specific recycling operations  | Need no specific recycling operations  |
| WARNING: This product can expose you to chemicals including:   | WARNING: This product can expose you to chemicals including:   |
| Diisononyl phthalate (DINP), which is known to the State of California to cause cancer, and                                | Diisononyl phthalate (DINP), which is known to the State of California to cause cancer, and                                |
| Di-isodecyl phthalate (DIDP), which is known to the State of California to cause birth defects or other reproductive harm. | Di-isodecyl phthalate (DIDP), which is known to the State of California to cause birth defects or other reproductive harm. |
| For more information go to <a href="http://www.p65warnings.ca.gov">www.p65warnings.ca.gov</a>                              | For more information go to <a href="http://www.p65warnings.ca.gov">www.p65warnings.ca.gov</a>                              |

## Contractual warranty

|                 |           |
|-----------------|-----------|
| Warranty period | 18 months |
|-----------------|-----------|

## Dimensions

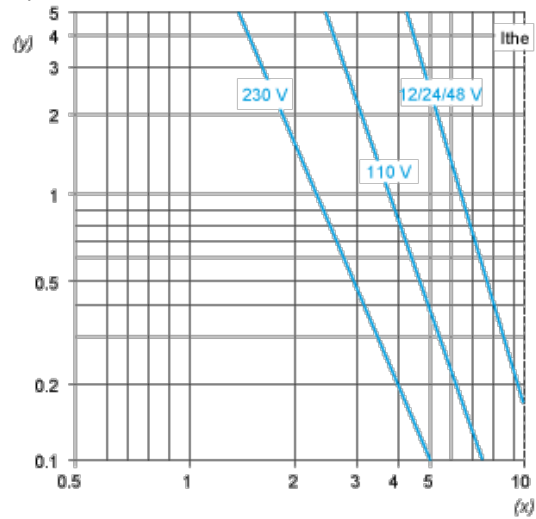


- (1) 3 plain holes for n° 13 (Pg 13.5) cable gland
- (2) Maximum extension.
- Ø 4 elongated holes Ø 6 mm/0.24 in.

## Electrical Curves

### AC Supply 50/60 Hz Inductive Circuit

2-pole Contact Block



Y Millions of operating cycles

X Current in A

### DC Supply Power Broken in for 1 Million Operating Cycles Inductive Circuit

|           |   |    |    |     |
|-----------|---|----|----|-----|
| Voltage   | V | 24 | 48 | 120 |
| $P_{max}$ | W | 13 | 9  | 7   |



Компания «ЭлектроПласт» предлагает заключение долгосрочных отношений при поставках импортных электронных компонентов на взаимовыгодных условиях!

Наши преимущества:

- Оперативные поставки широкого спектра электронных компонентов отечественного и импортного производства напрямую от производителей и с крупнейших мировых складов;
- Поставка более 17-ти миллионов наименований электронных компонентов;
- Поставка сложных, дефицитных, либо снятых с производства позиций;
- Оперативные сроки поставки под заказ (от 5 рабочих дней);
- Экспресс доставка в любую точку России;
- Техническая поддержка проекта, помощь в подборе аналогов, поставка прототипов;
- Система менеджмента качества сертифицирована по Международному стандарту ISO 9001;
- Лицензия ФСБ на осуществление работ с использованием сведений, составляющих государственную тайну;
- Поставка специализированных компонентов (Xilinx, Altera, Analog Devices, Intersil, Interpoint, Microsemi, Aeroflex, Peregrine, Syfer, Eurofarad, Texas Instrument, Miteq, Cobham, E2V, MA-COM, Hittite, Mini-Circuits, General Dynamics и др.);

Помимо этого, одним из направлений компании «ЭлектроПласт» является направление «Источники питания». Мы предлагаем Вам помощь Конструкторского отдела:

- Подбор оптимального решения, техническое обоснование при выборе компонента;
- Подбор аналогов;
- Консультации по применению компонента;
- Поставка образцов и прототипов;
- Техническая поддержка проекта;
- Защита от снятия компонента с производства.



#### Как с нами связаться

**Телефон:** 8 (812) 309 58 32 (многоканальный)

**Факс:** 8 (812) 320-02-42

**Электронная почта:** [org@eplast1.ru](mailto:org@eplast1.ru)

**Адрес:** 198099, г. Санкт-Петербург, ул. Калинина, дом 2, корпус 4, литера А.