

THE INFORMATION CONTAINED HEREIN IS CONSIDERED "PROPRIETARY" TO BEL FUSE INC. AND SHALL NOT BE COPIED, REPRODUCED OR DISCLOSED WITHOUT THE WRITTEN APPROVAL OF BEL FUSE INC.

LED 1 POLARITY			LED 2 POLARITY		
PIN 17	PIN 18	COLOR	PIN 19	PIN 20	COLOR
-	+	YELLOW	+	-	ORANGE
/	/	/	-	+	GREEN

PRELIMINARY



ELECTRICAL CHARACTERISTICS @ 25°C

URNS RATIO

TP1	1CT : 1CT	±2%
TP2	1CT : 1CT	±2%
TP3	1CT : 1CT	±2%
TP4	1CT : 1CT	±2%

OCL @ 100kHz/100mVRMS

8mA DC BIAS (0°C - 70°C)	180 μH MIN.
19mA DC BIAS (0°C - 70°C)	120 μH MIN.

INS. LOSS

1MHz TO 150MHz	-0.004(fMHZ)-0.4 dB MAX
----------------	-------------------------

RET. LOSS

1MHz-40MHz	-20 dB MIN
40.1MHz-150MHz	-20+15LOG(f/40MHZ) dB MIN

CROSSTALK

1MHz - 40MHz	-35 dB MIN
40.1MHz-150MHz	-35+15LOG(f/40MHZ) dB MIN

CM TO CM REJ

1MHz - 150MHz	-25 dB MIN
---------------	------------

HIPOT (Isolation Voltage): 2250 VDC
 100% OF PRODUCTION TESTED TO COMPLY WITH
 IEEE 802.3 ISOLATION REQUIREMENTS.

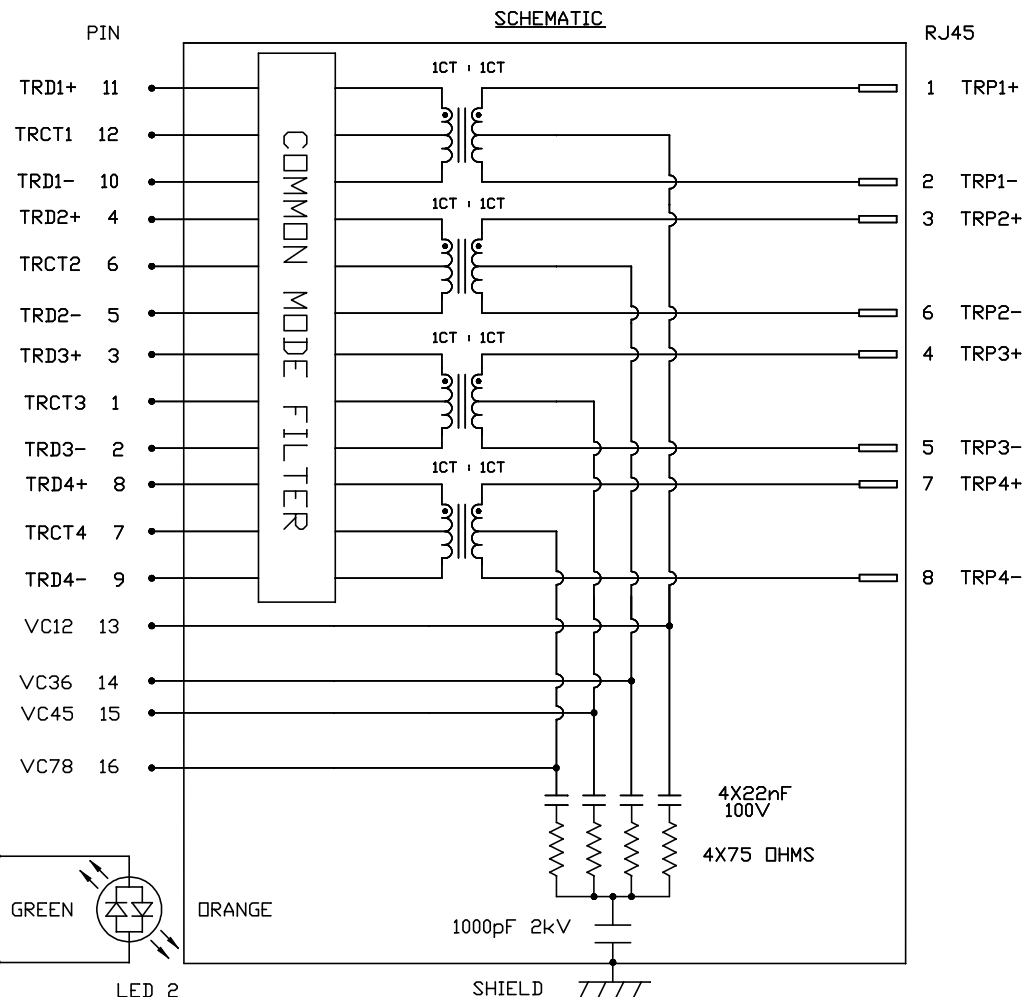
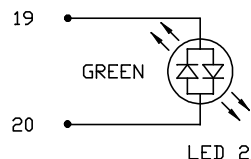
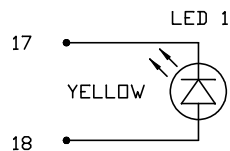
BALANCED DC LINE CURRENT 720 mA MAX. @ 57 VDC CONTINUOUS
 1.2A MAX. @ 57 VDC FOR 200 MILLISECONDS

LED 1

V _F (FORWARD VOLTAGE)	I _F =20mA	YELLOW	2.1V TYP.
λ _D (DOMINANT WAVELENGTH)	I _F =20mA	YELLOW	590nm TYP.

LED 2

V _F (FORWARD VOLTAGE)	I _F =20mA	GREEN	2.2V TYP.
		ORANGE	2.0V TYP.
λ _D (DOMINANT WAVELENGTH)	I _F =20mA	GREEN	570nm TYP.
		ORANGE	605nm TYP.



ORIGINATED BY
 CHOW WANCHUNG
 DATE 2015-12-17

DRAWN BY
 MURPHY LEE
 DATE 2015-12-17

TITLE
 1X4 2.5 Gigabit MagJack®
 4PPoE
 08261-1X4T-HT-F
 PATENTED

PART NO. / DRAWING NO.
 08261X4THT-F

FILE NAME
 08261X4THT-F_PA.DWG

STANDARD DIM. TOL. IN INCH	[] METRIC DIM. AS REF.
.X	UNIT : INCH [mm]
.XX	SCALE : N/A
.XXX	SIZE : A4

REV. : PA PAGE : 2

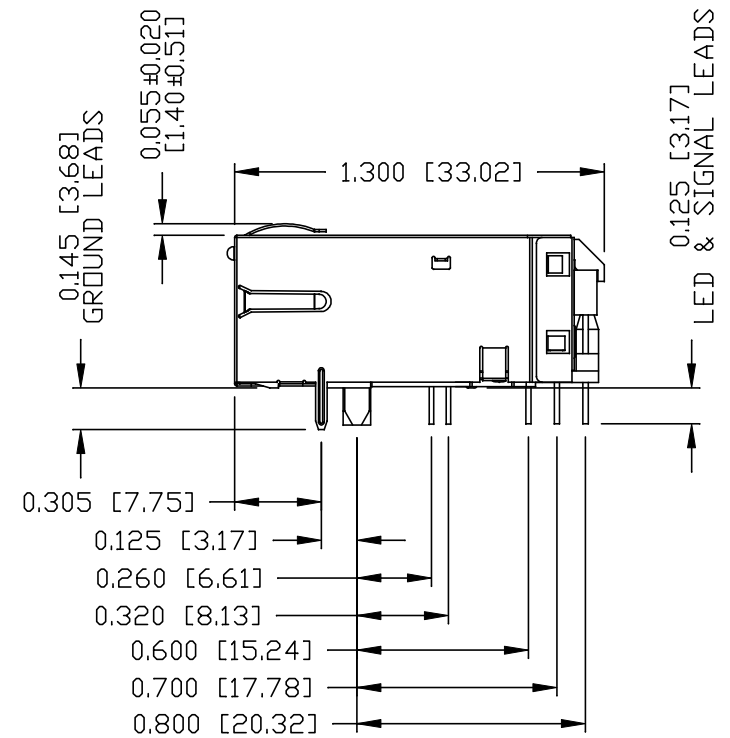
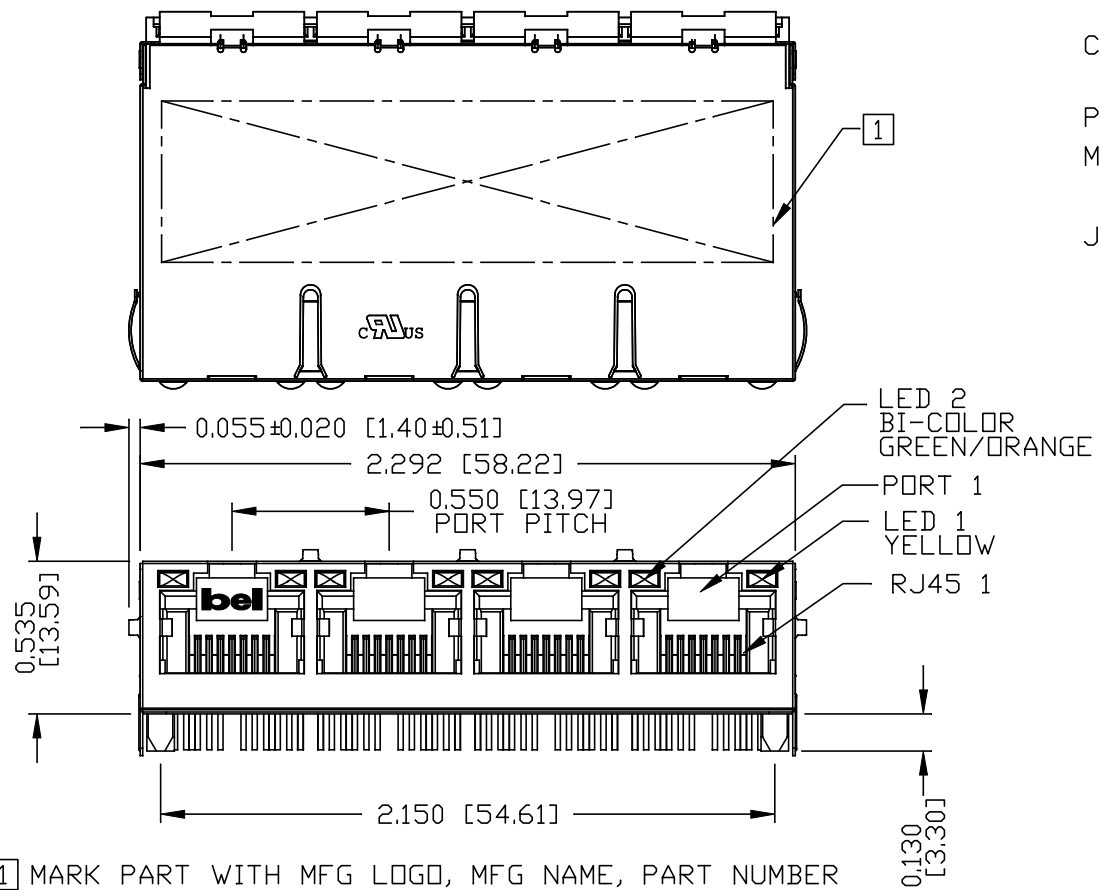


THE INFORMATION CONTAINED HEREIN IS CONSIDERED "PROPRIETARY" TO BEL FUSE INC. AND SHALL NOT BE COPIED, REPRODUCED OR DISCLOSED WITHOUT THE WRITTEN APPROVAL OF BEL FUSE INC.

PRELIMINARY



NOTES:
 PLASTIC HOUSING: THERMOPLASTIC PBT
 FLAMMABILITY RATING UL 94V-0
 CONTACTS PLATING: 50 MICRO-INCH HARD GOLD PLATING OR EQUIVALENT.
 PINS: TIN-COATED COPPER WIRE, DIA 0.018 INCH.
 METAL SHIELD: NICKEL PLATED ON COPPER ALLOY.
 (ALL GROUND LEADS ARE SOLDER DIPPED)
 JACK CAVITY CONFORMS TO FCC RULES AND REGULATIONS.



1. MARK PART WITH MFG LOGO, MFG NAME, PART NUMBER DATE CODE AND PATENTED.
2. THE PRODUCT IS RoHS COMPLIANT.
3. THE PRODUCT IS PATENTED. THE PATENT NUMBER ARE U.S. PAT. 7,123,117.

UL RECOGNIZED - FILE #E196366 AND E169987.

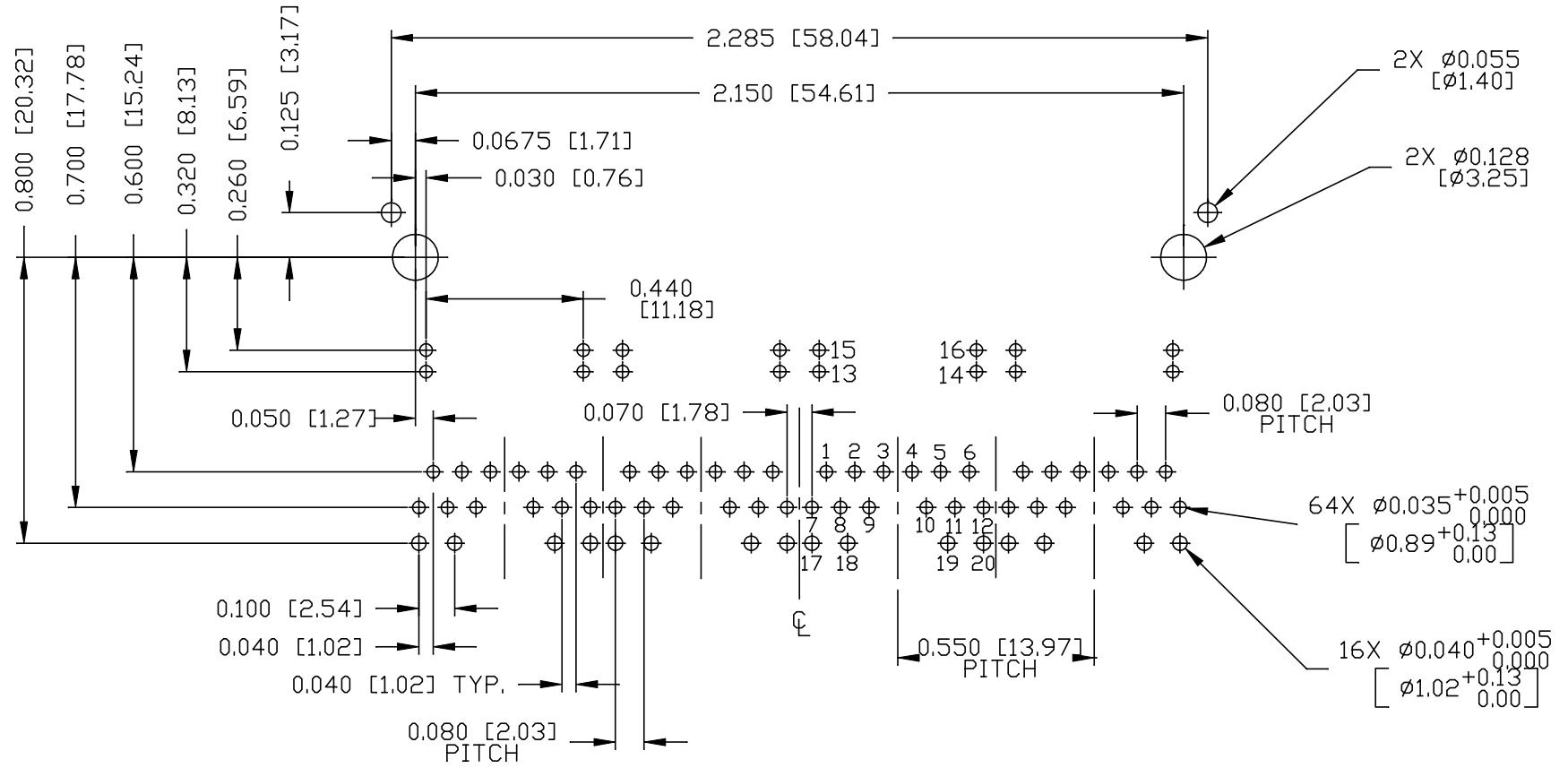
ORIGINATED BY ANTON LIAO DATE 2015-12-17		TITLE 1X4 2.5 Gigabit MagJack® 4PPoE 0826-1X4T-HT-F PATENTED		PART NO. / DRAWING NO. 08261X4THT-F		STANDARD DIM. TOL. IN INCH		[] METRIC DIM. AS REF.		REV. : PA	PAGE : 3
DRAWN BY SANDY LIN DATE 2015-12-17		FILE NAME 08261X4THT-F_PA.DWG		.X .XX .XXX		UNIT : INCH [mm] SCALE : N/A		SIZE : A4			

THE INFORMATION CONTAINED HEREIN IS CONSIDERED "PROPRIETARY" TO BEL FUSE INC. AND SHALL NOT BE COPIED, REPRODUCED OR DISCLOSED WITHOUT THE WRITTEN APPROVAL OF BEL FUSE INC.

PRELIMINARY



RECOMMENDED PCB FOOTPRINT
COMPONENT SIDE VIEW



ORIGINATED BY
ANTON LIAO
DATE 2015-12-17
DRAWN BY
SANDY LIN
DATE 2015-12-17

TITLE
1X4 2.5 gigabit MagJack®
4PPoE
0826-1X4T-HT-F
PATENTED

PART NO. / DRAWING NO.
08261X4THT-F
FILE NAME
08261X4THT-F_PA.DWG

STANDARD DIM. TOL. IN INCH	[] METRIC DIM. AS REF.
.X	UNIT : INCH [mm]
.XX	SCALE : N/A
.XXX ±0.004	SIZE : A4

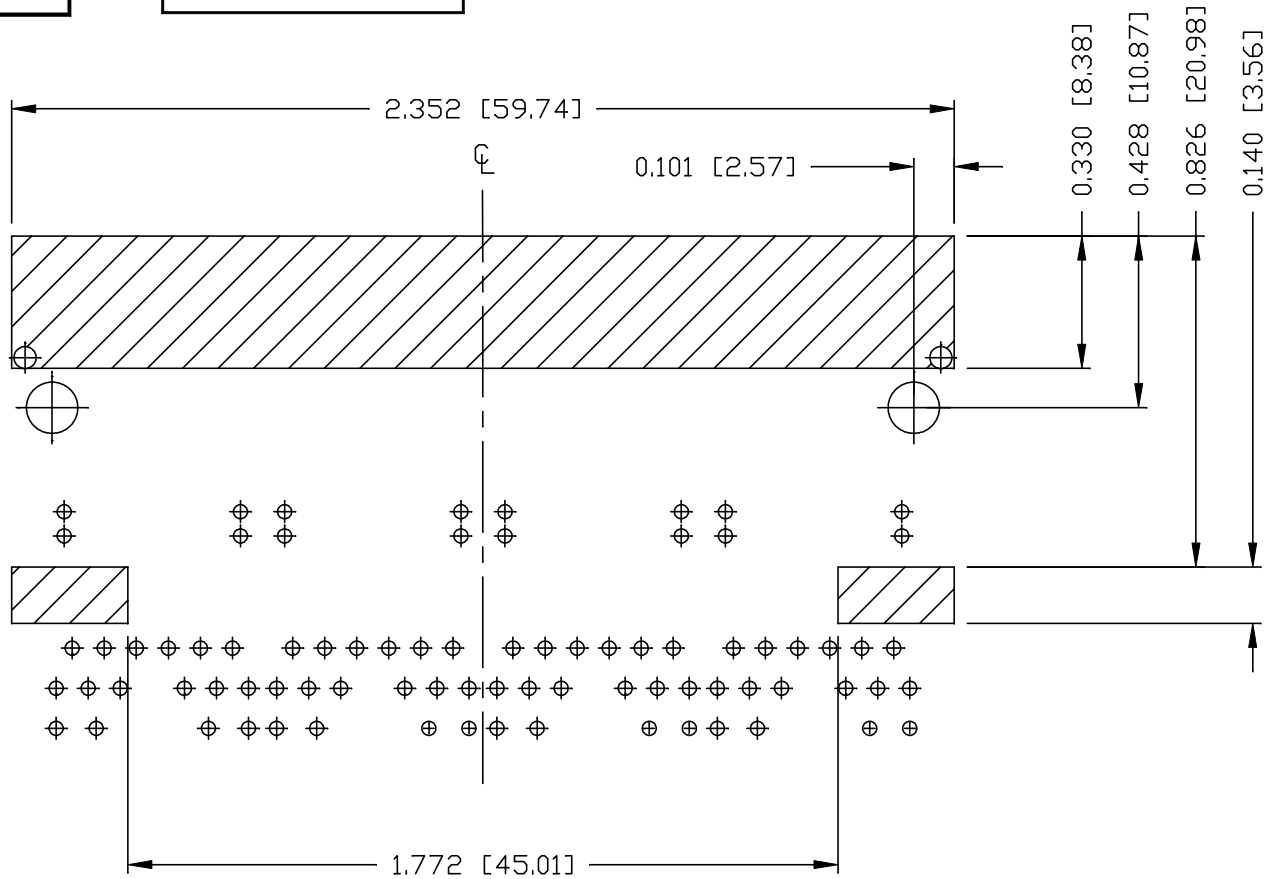
REV. : PA PAGE : 4



THE INFORMATION CONTAINED HEREIN IS CONSIDERED 'PROPRIETARY' TO BEL FUSE INC. AND SHALL NOT BE COPIED, REPRODUCED OR DISCLOSED WITHOUT THE WRITTEN APPROVAL OF BEL FUSE INC.

PRELIMINARY

RoHS



NOTES:

THE SHADED AREA ON THE CUSTOMER BOARD ARE RECOMMENDED TO BE CLEAR OFF ANY VIA HOLE OR COMPONENT PAD.

ORIGINATED BY
ANTON LIAO
DATE 2015-12-17

DRAWN BY
SANDY LIN
DATE 2015-12-17

TITLE
1X4 2.5 gigabit MagJack®
4PPoE
0826-1X4T-HT-F
PATENTED

PART NO. / DRAWING NO.
08261X4THT-F
FILE NAME
08261X4THT-F_PA.DWG

STANDARD DIM. TOL. IN INCH	[] METRIC DIM. AS REF.
.X	UNIT : INCH [mm]
.XX	SCALE : N/A
.XXX	±0.004
	SIZE : A4

REV. : PA PAGE : 5

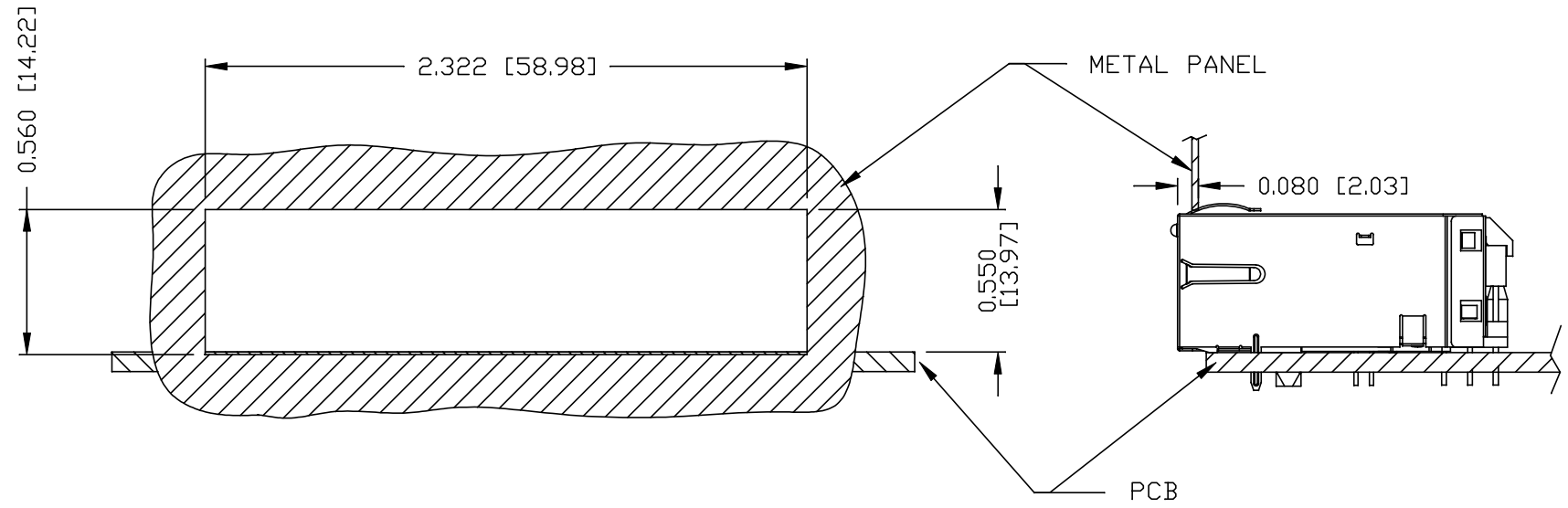


THE INFORMATION CONTAINED HEREIN IS CONSIDERED "PROPRIETARY" TO BEL FUSE INC. AND SHALL NOT BE COPIED, REPRODUCED OR DISCLOSED WITHOUT THE WRITTEN APPROVAL OF BEL FUSE INC.

PRELIMINARY



SUGGESTED PANEL OPENING



NOTES:

THE DISTANCE OF PANEL INSIDE SURFACE RELATIVE TO FRONT SURFACE OF PART IS ONLY A SUGGESTION. IN CASE THIS DISTANCE IS DIFFERENT, THE REQUIRED PANEL OPENING DIMENSIONS CHANGE ACCORDINGLY.

PACKING INFORMATION

PACKING TRAY : 0200-9999-B4 (TOP)
0200-9999-B5 (BOTTOM)

PACKING QUANTITY : 24 PCS FINISHED GOODS PER TRAY
10 TRAYS (240 PCS FINISHED GOODS) PER CARTON BOX

NOTE : CARDBOARDS ARE PLACED BETWEEN LAYERS OF PACKING TRAY INSIDE CARTON BOX
(INCLUDE THE UPPERMOST AND LOWERMOST TRAY)

REV. : PA PAGE : 6

ORIGINATED BY
ANTON LIAO
DATE 2015-12-17
DRAWN BY
SANDY LIN
DATE 2015-12-17

TITLE
1X4 2.5 Gigabit MagJack®
4PPoE
0826-1X4T-HT-F
PATENTED

PART NO. / DRAWING NO.
08261X4THT-F
FILE NAME
08261X4THT-F_PA.DWG

STANDARD DIM. TOL. IN INCH	[] METRIC DIM. AS REF.
.X	UNIT : INCH [mm]
.XX	SCALE : N/A
.XXX	SIZE : A4





Компания «ЭлектроПласт» предлагает заключение долгосрочных отношений при поставках импортных электронных компонентов на взаимовыгодных условиях!

Наши преимущества:

- Оперативные поставки широкого спектра электронных компонентов отечественного и импортного производства напрямую от производителей и с крупнейших мировых складов;
- Поставка более 17-ти миллионов наименований электронных компонентов;
- Поставка сложных, дефицитных, либо снятых с производства позиций;
- Оперативные сроки поставки под заказ (от 5 рабочих дней);
- Экспресс доставка в любую точку России;
- Техническая поддержка проекта, помощь в подборе аналогов, поставка прототипов;
- Система менеджмента качества сертифицирована по Международному стандарту ISO 9001;
- Лицензия ФСБ на осуществление работ с использованием сведений, составляющих государственную тайну;
- Поставка специализированных компонентов (Xilinx, Altera, Analog Devices, Intersil, Interpoint, Microsemi, Aeroflex, Peregrine, Syfer, Eurofarad, Texas Instrument, Miteq, Cobham, E2V, MA-COM, Hittite, Mini-Circuits, General Dynamics и др.);

Помимо этого, одним из направлений компании «ЭлектроПласт» является направление «Источники питания». Мы предлагаем Вам помощь Конструкторского отдела:

- Подбор оптимального решения, техническое обоснование при выборе компонента;
- Подбор аналогов;
- Консультации по применению компонента;
- Поставка образцов и прототипов;
- Техническая поддержка проекта;
- Защита от снятия компонента с производства.



Как с нами связаться

Телефон: 8 (812) 309 58 32 (многоканальный)

Факс: 8 (812) 320-02-42

Электронная почта: org@eplast1.ru

Адрес: 198099, г. Санкт-Петербург, ул. Калинина, дом 2, корпус 4, литера А.