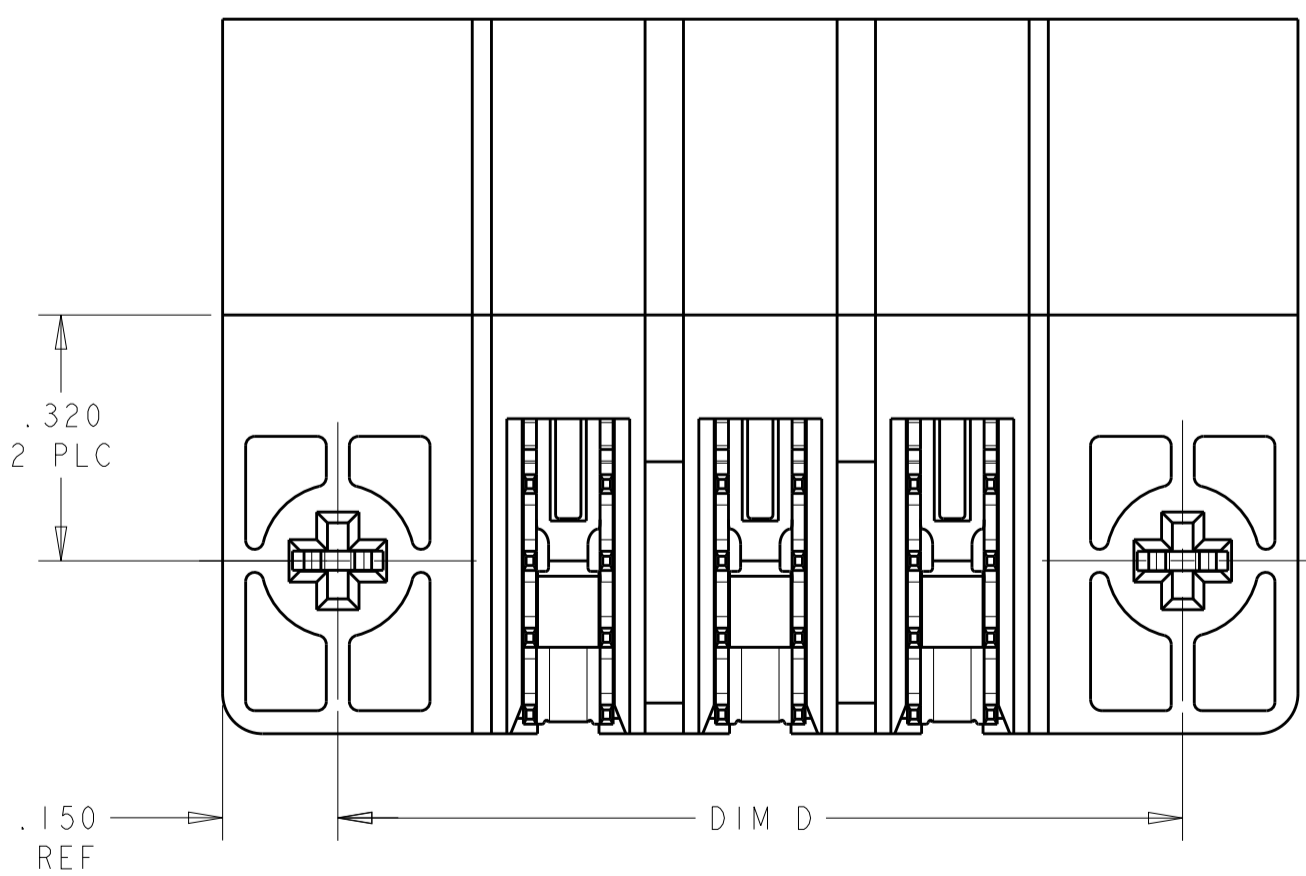
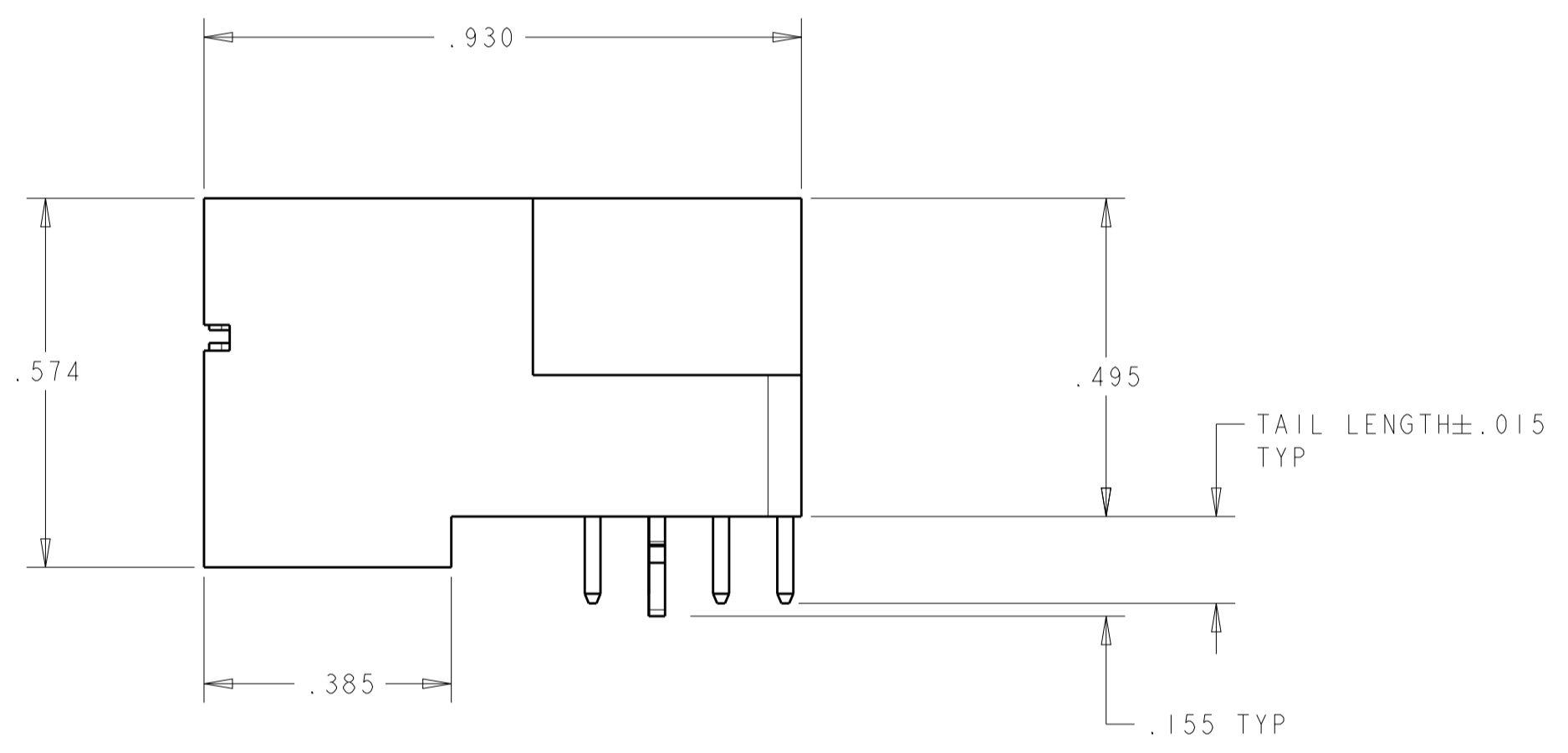
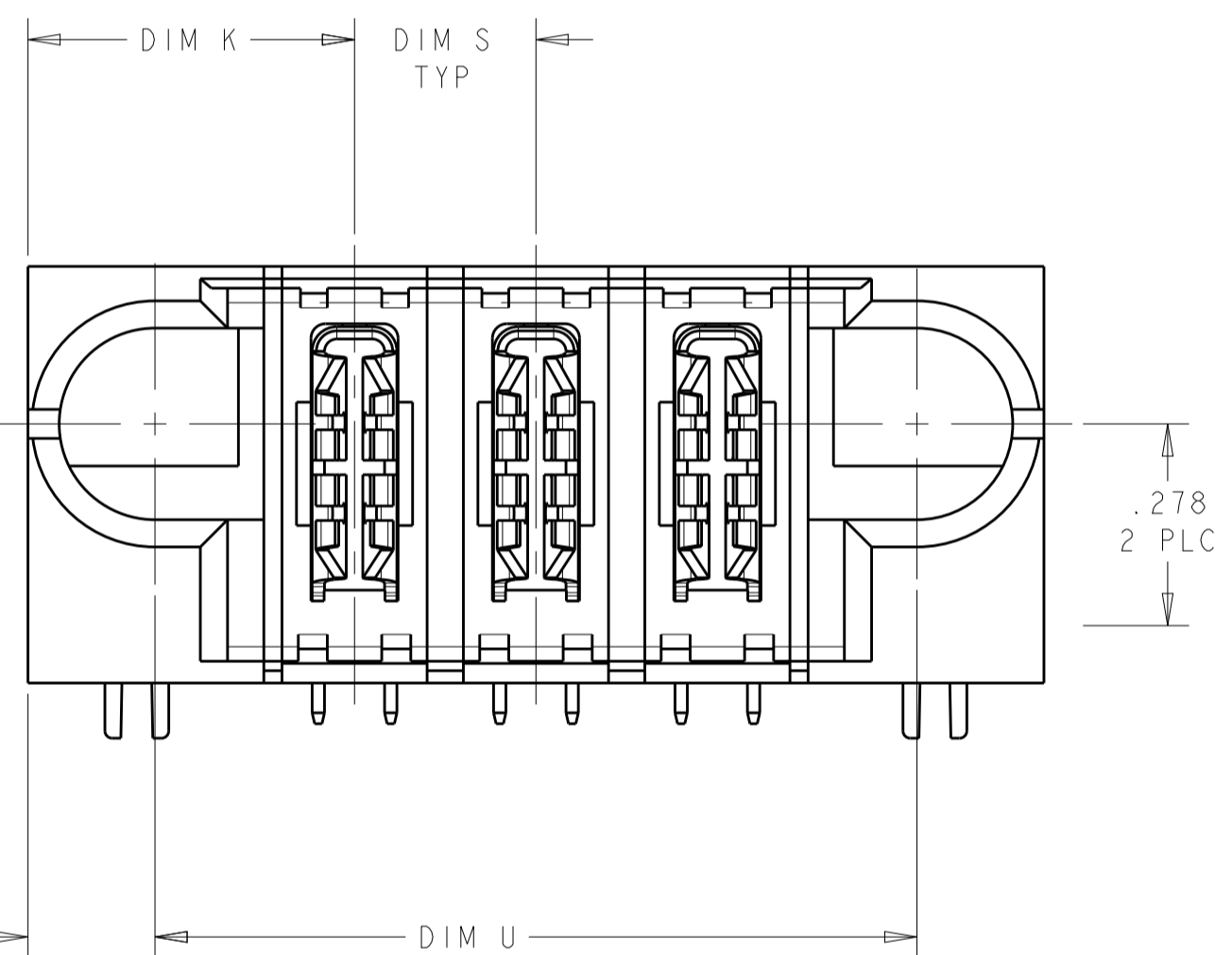
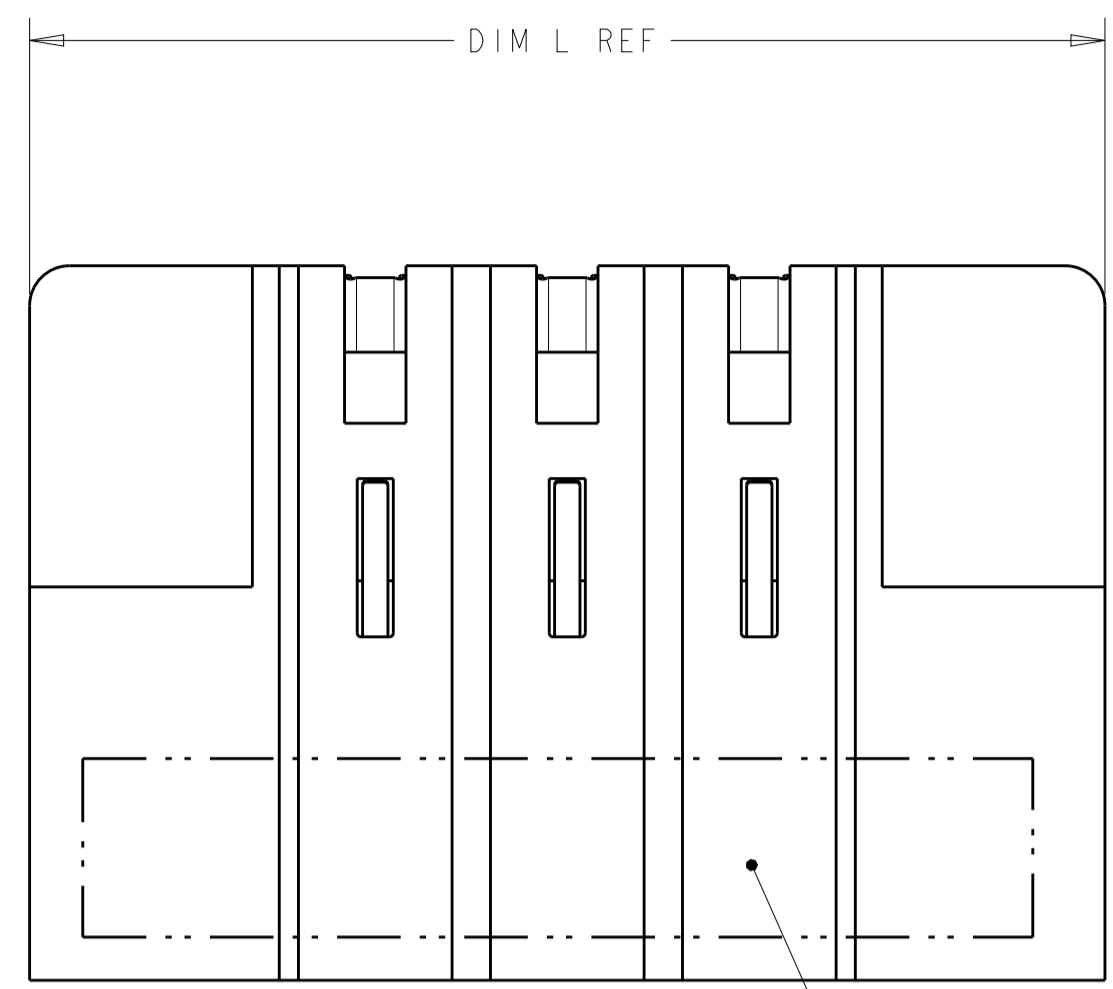


| LOC | | DIST | | REVISIONS | | | |
|-----|----|------|--|-----------|--|--|--|
| | | | | | | | |
| GP | 00 | | | | | | |
| | | | | | | | |
| | | | | | | | |
| | | | | | | | |
| | | | | | | | |
| | | | | | | | |



- 1 "AMP", PART NUMBER, AND DATE CODE TO BE MARKED IN AREA SHOWN.
- 2 MATERIAL: HOUSING - GLASS FILLED HIGH TEMP THERMO PLASTIC, UL94 V-0
POWER CONTACT - HIGH CONDUCTIVITY COPPER ALLOY
- 3 CONTACT PLATING: NOBLE METAL PLATING ON CONTACT FUNCTIONAL AREA OF POWER AND SIGNAL CONTACTS
- 4 MECHANICAL CONNECTOR KEEP OUT ZONE.
- 5 DATUM AND BASIC DIMENSIONS ESTABLISHED BY CUSTOMER.
- 6 PCB- ALL HOLE DIAMETERS ARE FINISHED HOLE SIZES.
- 7 PCB - .0453±.0010 DRILLED HOLES WITH .0003 MIN Sn OVER .001 TO .003 Cu PLATING TO ACHIEVE A .040±.003 DIA HOLE.
- 8 VARIABLE DIMENSIONS SHOWN ON VIEW (SHEET 3)
- 9 FOR DETAIL DIMENSION PLEASE REFER TO TABLE

| | | | | | | |
|-------|-------|-------|-------|-------|-------------|-------------|
| 3.750 | .200 | 3.800 | .450 | 4.100 | 17P | 1-6450123-8 |
| 1.150 | .300 | 1.200 | .450 | 1.500 | 3ACP | 1-6450123-6 |
| 1.725 | .375 | 1.775 | .475 | 2.075 | 4P | 1-6450123-5 |
| 2.700 | .300 | 2.750 | .475 | 3.050 | 8ACP | 1-6450123-4 |
| 1.300 | .200 | 1.350 | .425 | 1.650 | 5HDP | 1-6450123-2 |
| 5.550 | .200 | 5.600 | .450 | 5.900 | 26P | 1-6450123-1 |
| 1.750 | .200 | 1.800 | .450 | 2.100 | 7HDP | 1-6450123-0 |
| 2.300 | .250 | 2.350 | .450 | 2.650 | 8P | 6450123-8 |
| 1.700 | 8 | 1.750 | .425 | 2.050 | 6P | 6450123-7 |
| 1.550 | .250 | 1.600 | .450 | 1.900 | 5P | 6450123-6 |
| 2.050 | .250 | 2.100 | .450 | 2.400 | 7P | 6450123-5 |
| .800 | .250 | .850 | .450 | 1.150 | 2P | 6450123-4 |
| 1.200 | .300 | 1.250 | .475 | 1.550 | 3ACP | 6450123-3 |
| 1.300 | .250 | 1.350 | .450 | 1.650 | 4P | 6450123-2 |
| 1.050 | .250 | 1.100 | .450 | 1.400 | 3P | 6450123-1 |
| DIM U | DIM S | DIM D | DIM K | DIM L | DESCRIPTION | PART NUMBER |

THIS DRAWING IS A CONTROLLED DOCUMENT. DWN: R. GRZYBOWSKI TOFEB05
 CHK: M. PERCHERKE TOFEB05
 APVD: M. PERCHERKE

STE TE Connectivity

RIGHT ANGLE HEADER ASSEMBLY W/GUIDES MULTI-BEAM XL

PRODUCT SPEC: 108-1973
 APPLICATION SPEC: 114-13038

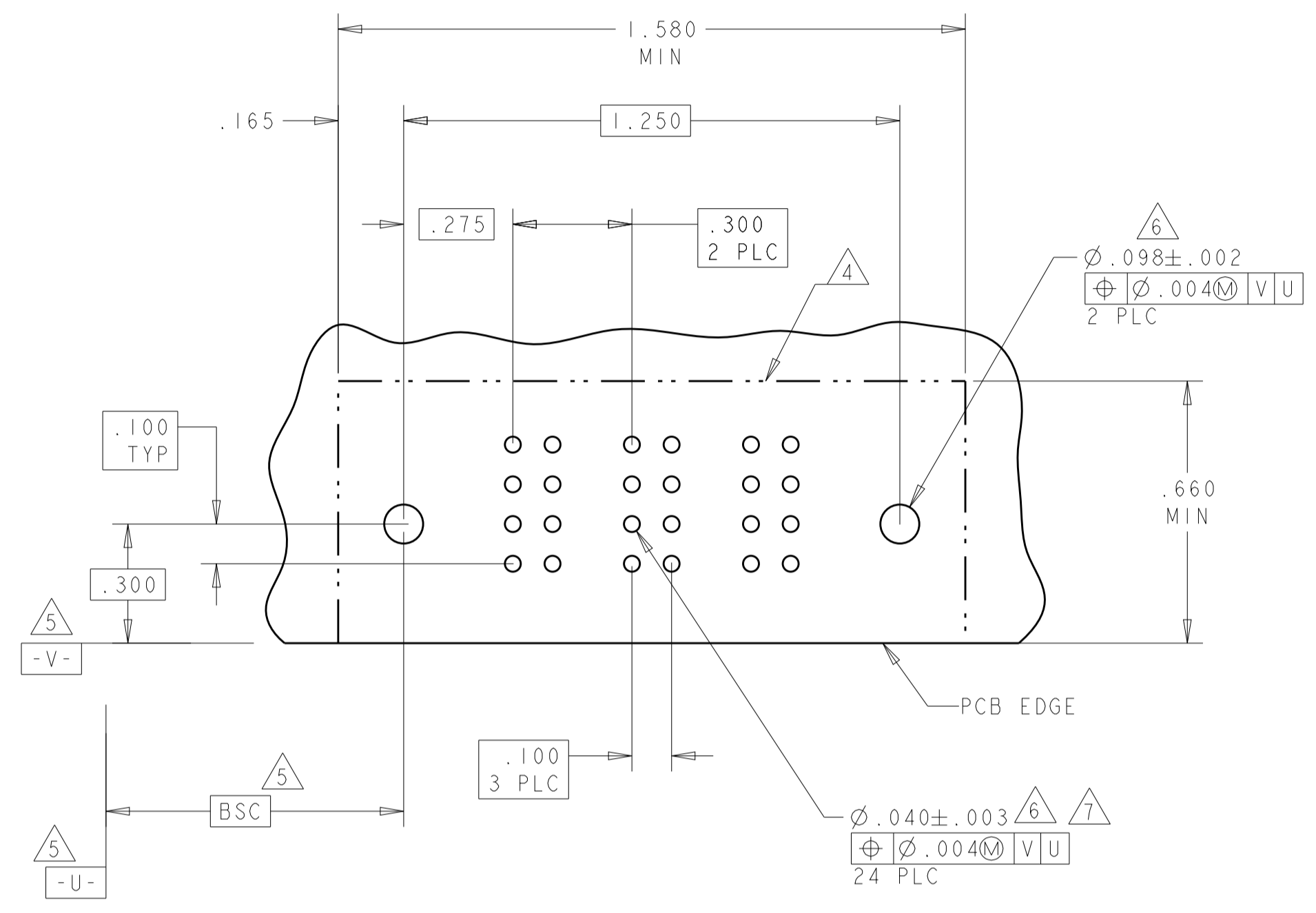
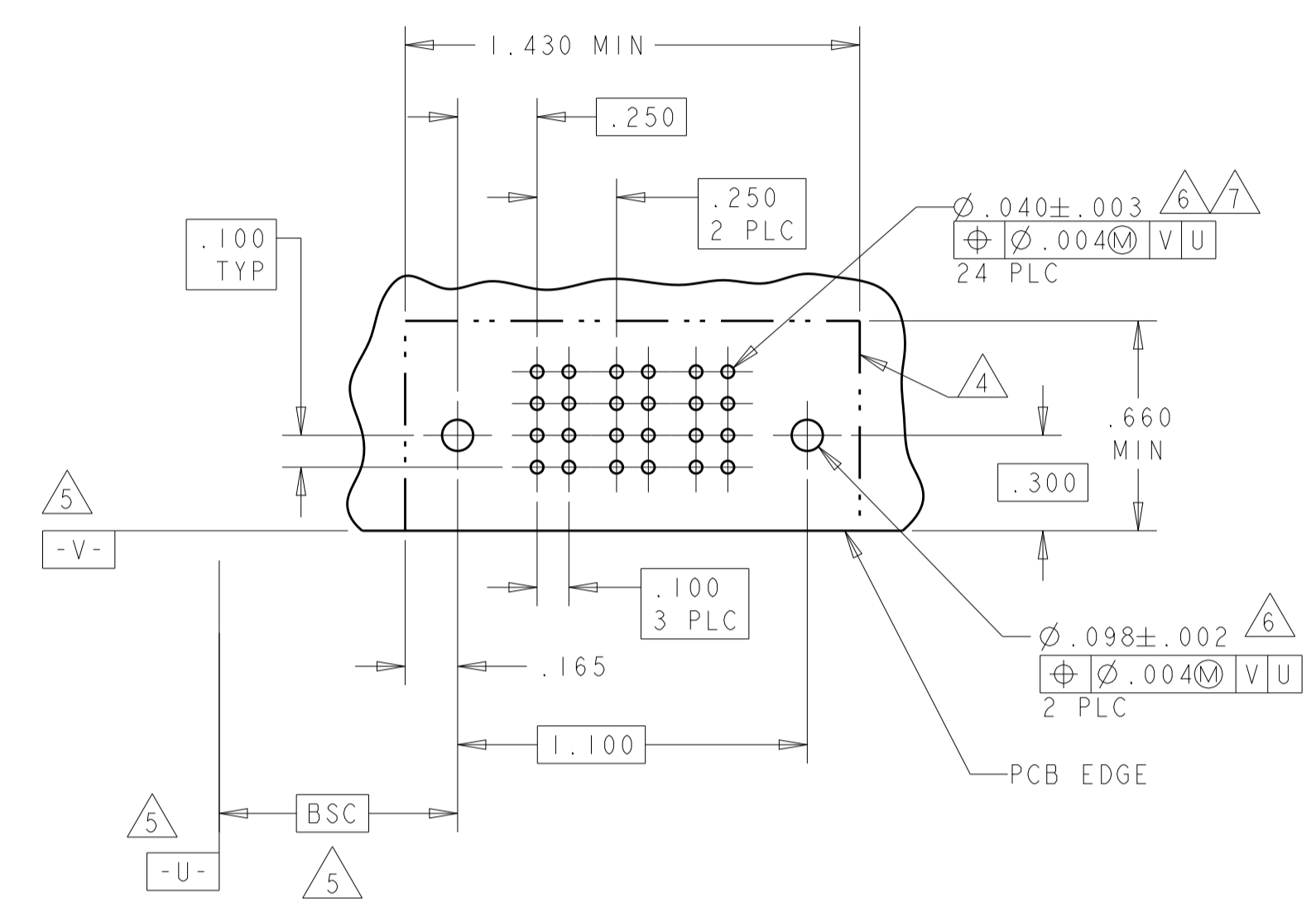
SIZE: A100779 CAGE CODE: 6450123
 SCALE: 4:1 SHEET 1 OF 8 REV: C6

MATERIAL: 2 FINISH: 3

CUSTOMER DRAWING

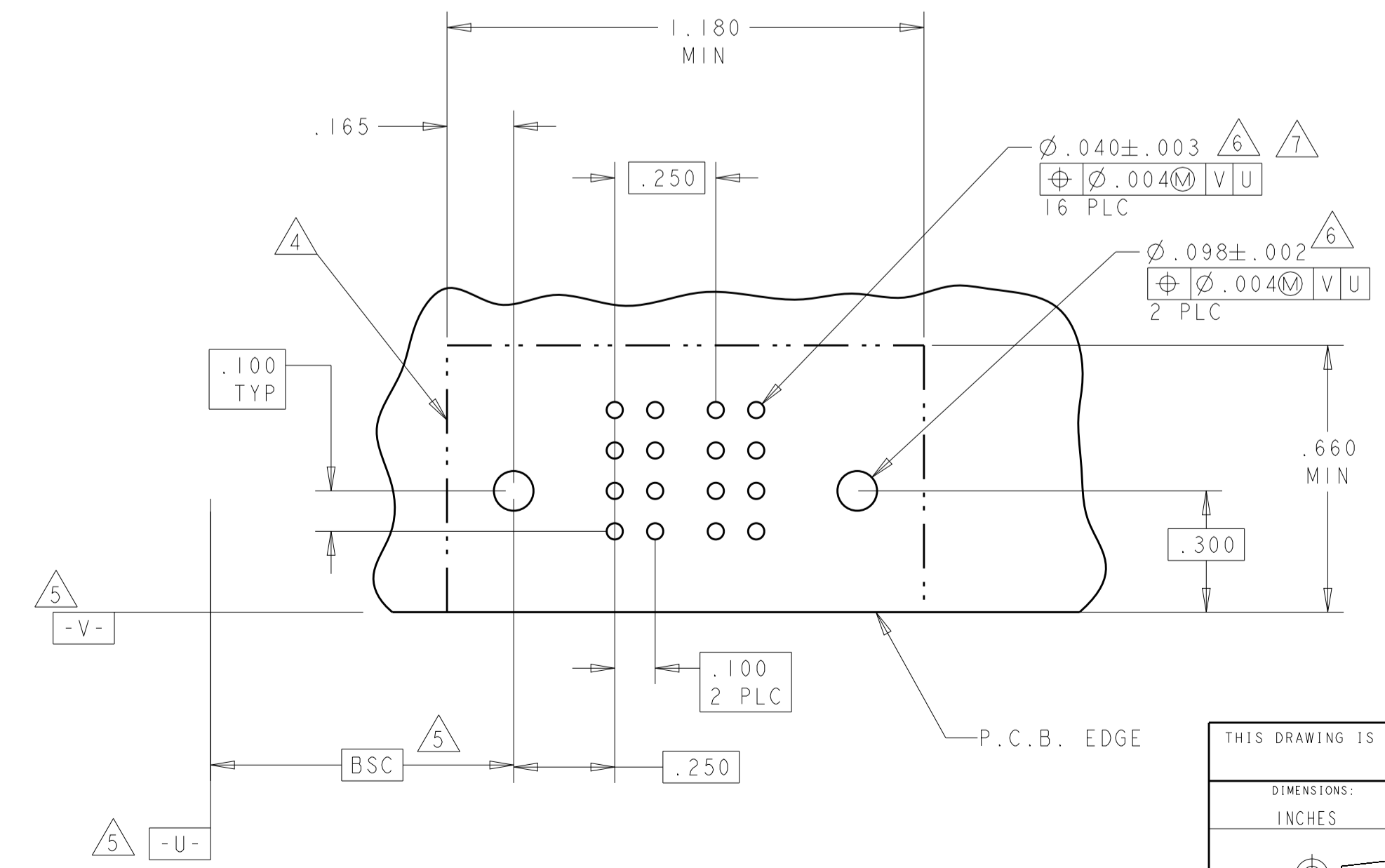
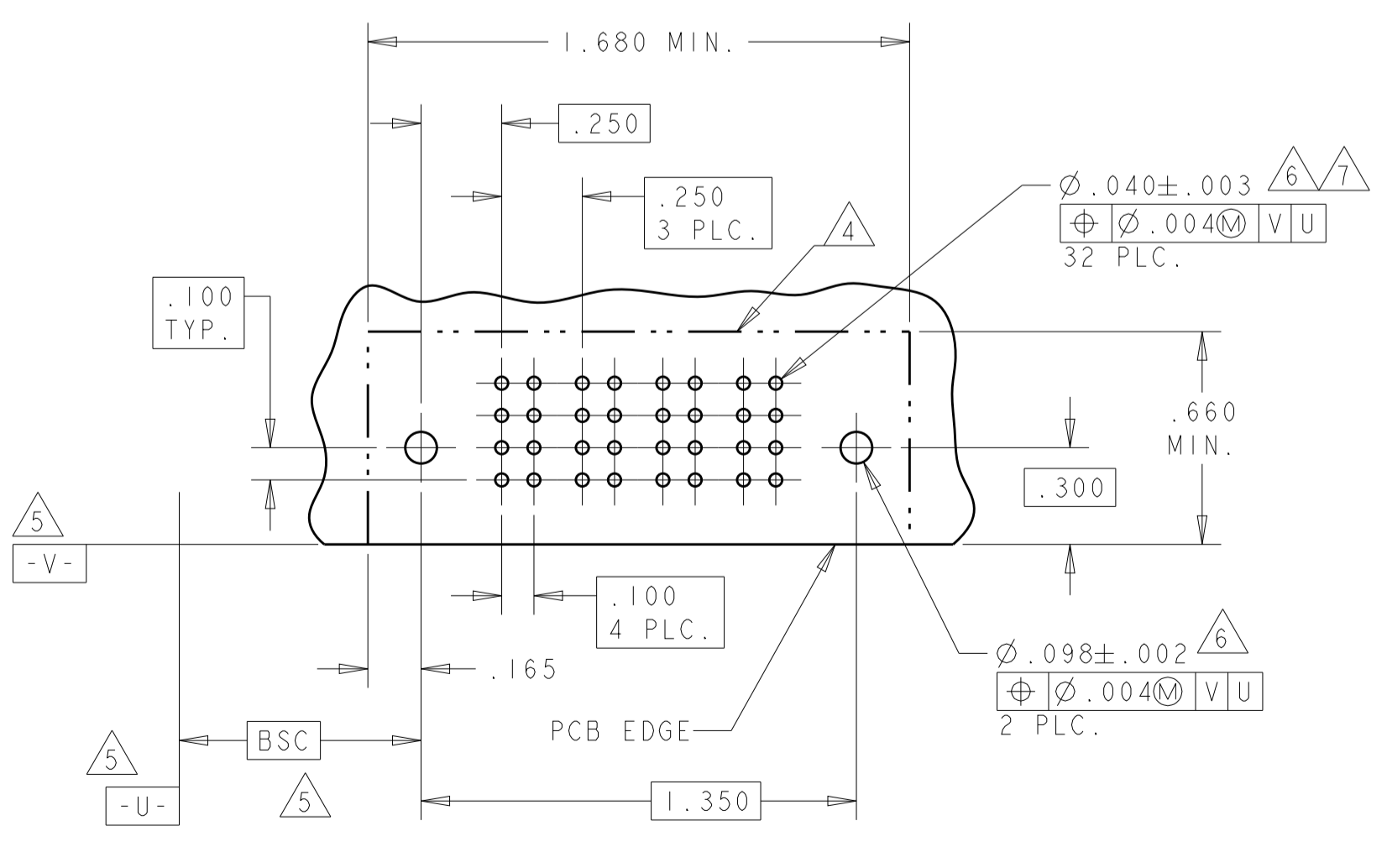
| PART NUMBER | ROWS | POWER | | |
|-------------|------------------|-------|----|----|
| | | P1 | P2 | P3 |
| 6450123-1 | D C B A | PM | PM | PM |
| 3P | | HD | | HD |

| PART NUMBER | ROWS | POWER | | |
|-------------|------------------|-------|----|----|
| | | P1 | P2 | P3 |
| 6450123-3 | D C B A | PM | PM | PM |
| 3ACP | | HD | | HD |



| PART NUMBER | ROWS | POWER | | | |
|-------------|------------------|-------|----|----|----|
| | | P1 | P2 | P3 | P4 |
| 6450123-2 | D C B A | PM | PM | PM | PM |
| 4P | | HD | | | HD |

| PART NUMBER | ROWS | POWER | |
|-------------|------------------|-------|----|
| | | P1 | P2 |
| 6450123-4 | D C B A | PM | PM |
| 2P | | HD | HD |



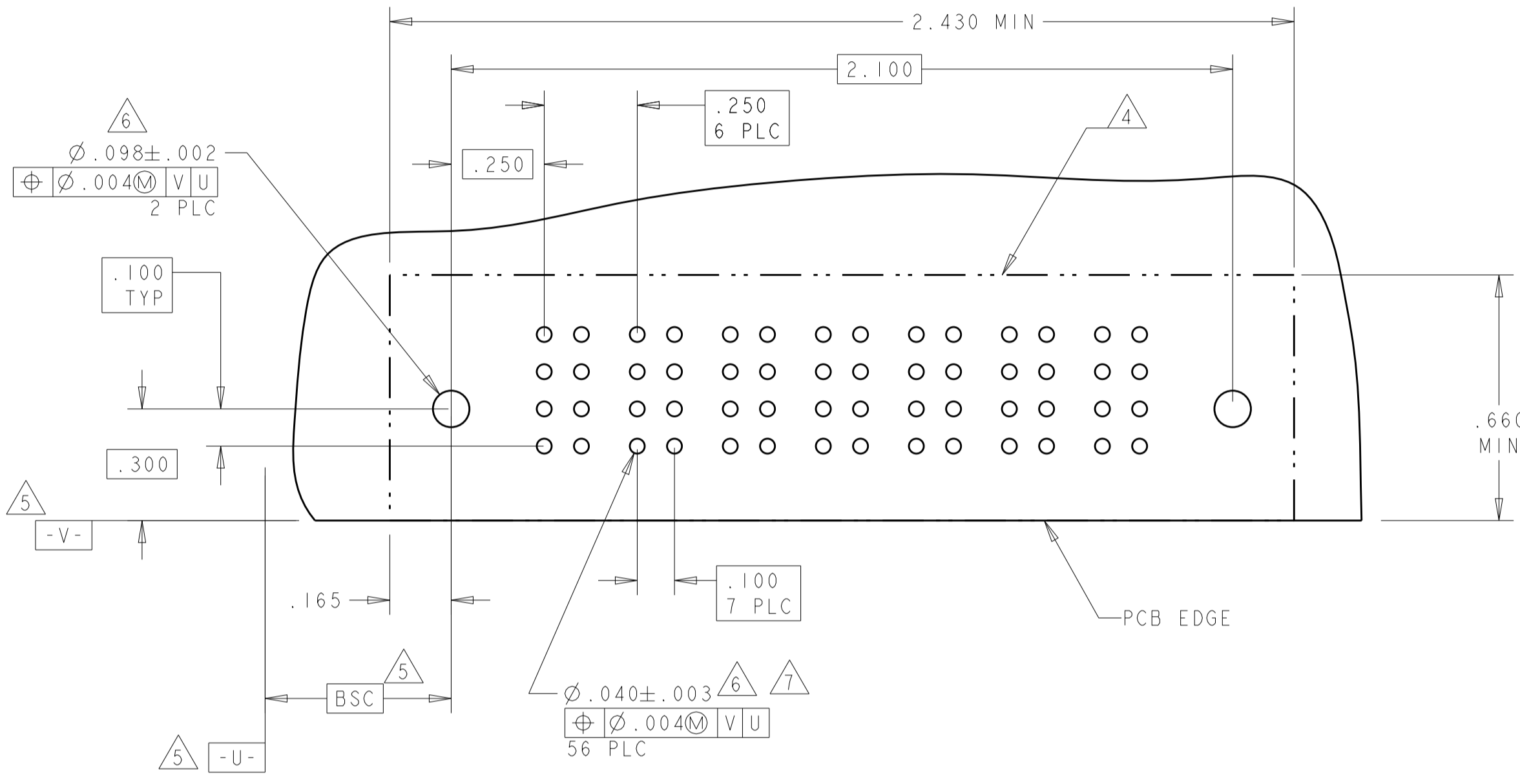
| PA | .090 |
|---------------|-------------|
| PM | .135 |
| CODE | TAIL LENGTH |
| POWER CONTACT | |

THIS DRAWING IS A CONTROLLED DOCUMENT.

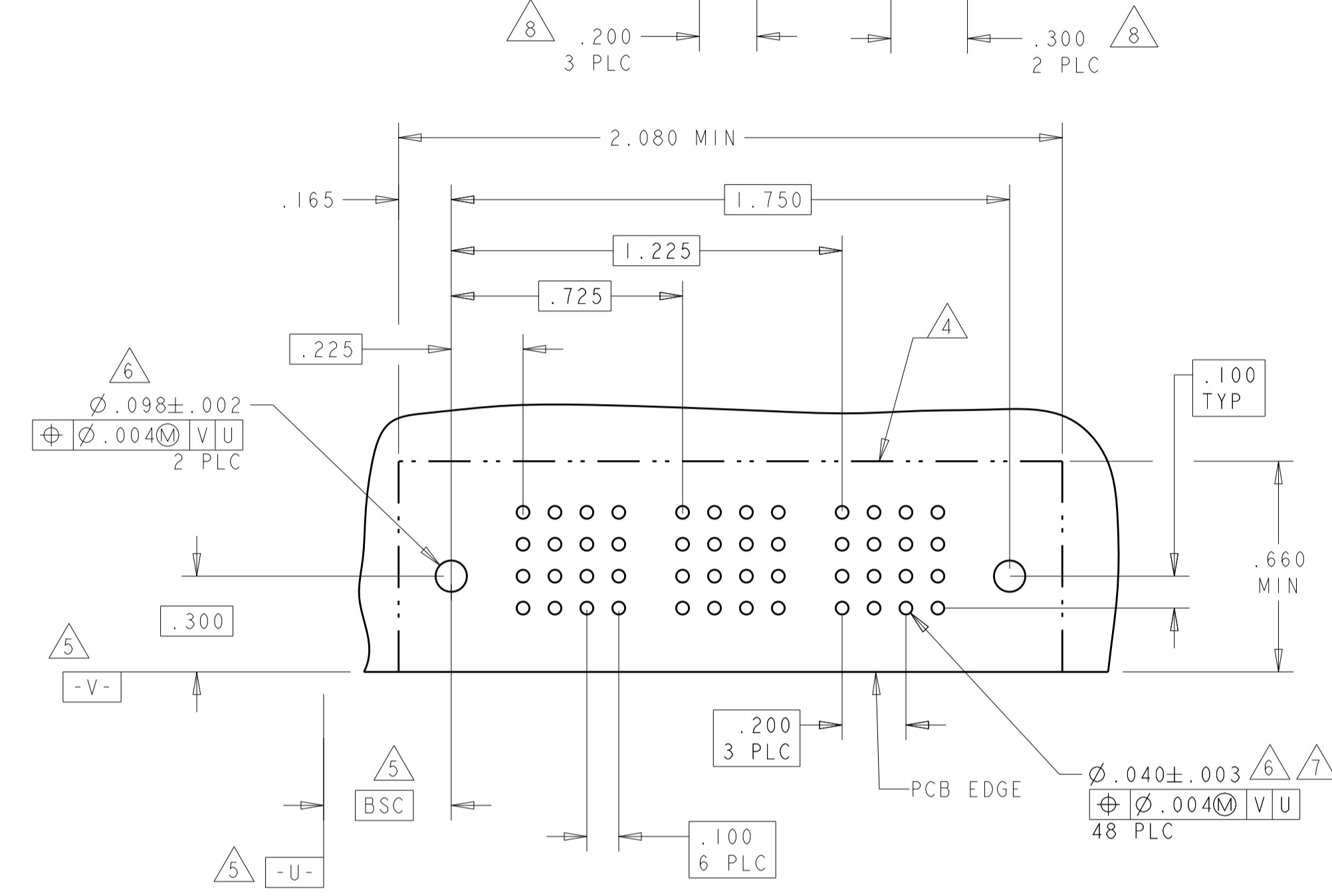
| | | | |
|-------------|--|--------------------|--------------------------------------|
| DIMENSIONS: | TOLERANCES UNLESS OTHERWISE SPECIFIED: | OWN: R. GRZYBOWSKI | TOFEB05 |
| INCHES | 0 PLC ±.01 | CHK: M. PERCHERKE | TOFEB05 |
| | 1 PLC ±.01 | APVD: M. PERCHERKE | |
| | 2 PLC ±.01 | PRODUCT SPEC | RIGHT ANGLE HEADER ASSEMBLY W/GUIDES |
| | 3 PLC ±.01 | APPLICATION SPEC | MULTI-BEAM XL |
| | 4 PLC ±.0020 | SIZE | 114-13038 |
| | ANGLES ±.0020 | WEIGHT | A100779C=6450123 |
| MATERIAL | FINISH | CUSTOMER DRAWING | SCALE 4:1 SHEET 2 OF 8 REV C6 |

| LOC | | DIST | | REVISIONS | | | |
|-----|----|------|-----|-------------|------|-----|------|
| GP | 00 | P | LTN | DESCRIPTION | DATE | DMN | APVD |
| - | - | - | - | SEE SHEET 1 | - | - | - |

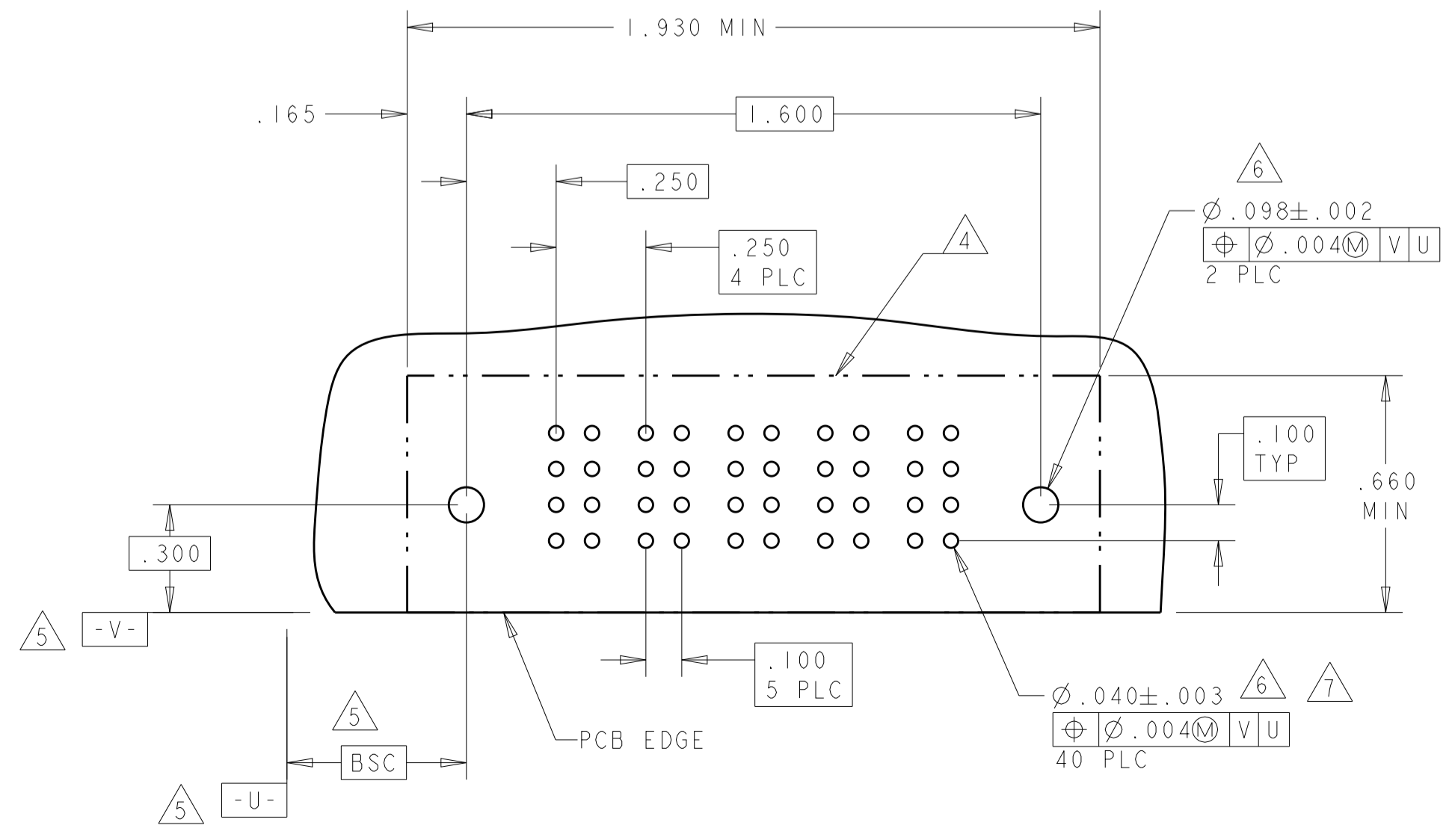
| PART NUMBER | ROWS | POWER | | | | | | |
|-------------|------------------|-------|----|----|----|----|----|----|
| | | P1 | P2 | P3 | P4 | P5 | P6 | P7 |
| 6450123-5 | D C B A | PA | PA | PA | PA | PA | PA | PA |
| 7P | | | | | | | | |



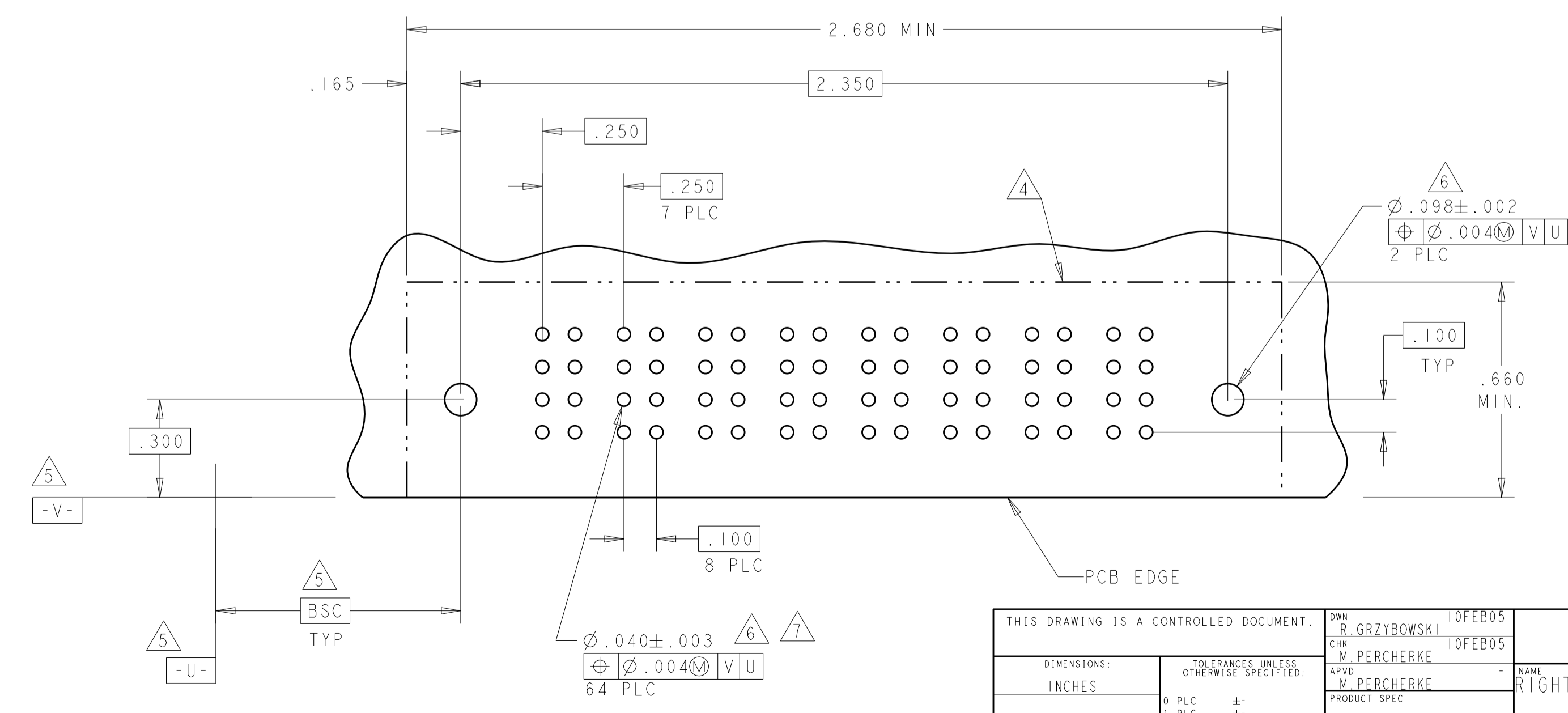
| PART NUMBER | ROWS | POWER | | | | | |
|-------------|------------------|-------|----|----|----|----|----|
| | | P1 | P2 | P3 | P4 | P5 | P6 |
| 6450123-7 | D C B A | PM | PM | PM | PM | PM | PM |
| 6P | | | | | | | |



| PART NUMBER | ROWS | POWER | | | | |
|-------------|------------------|-------|----|----|----|----|
| | | P1 | P2 | P3 | P4 | P5 |
| 6450123-6 | D C B A | PM | PM | PM | PM | PM |
| 5P | | | | | | |



| PART NUMBER | ROWS | POWER | | | | | | | |
|-------------|------------------|-------|----|----|----|----|----|----|----|
| | | P1 | P2 | P3 | P4 | P5 | P6 | P7 | P8 |
| 6450123-8 | D C B A | PM | PM | PM | PM | PM | PM | PM | PM |
| 8P | | | | | | | | | |

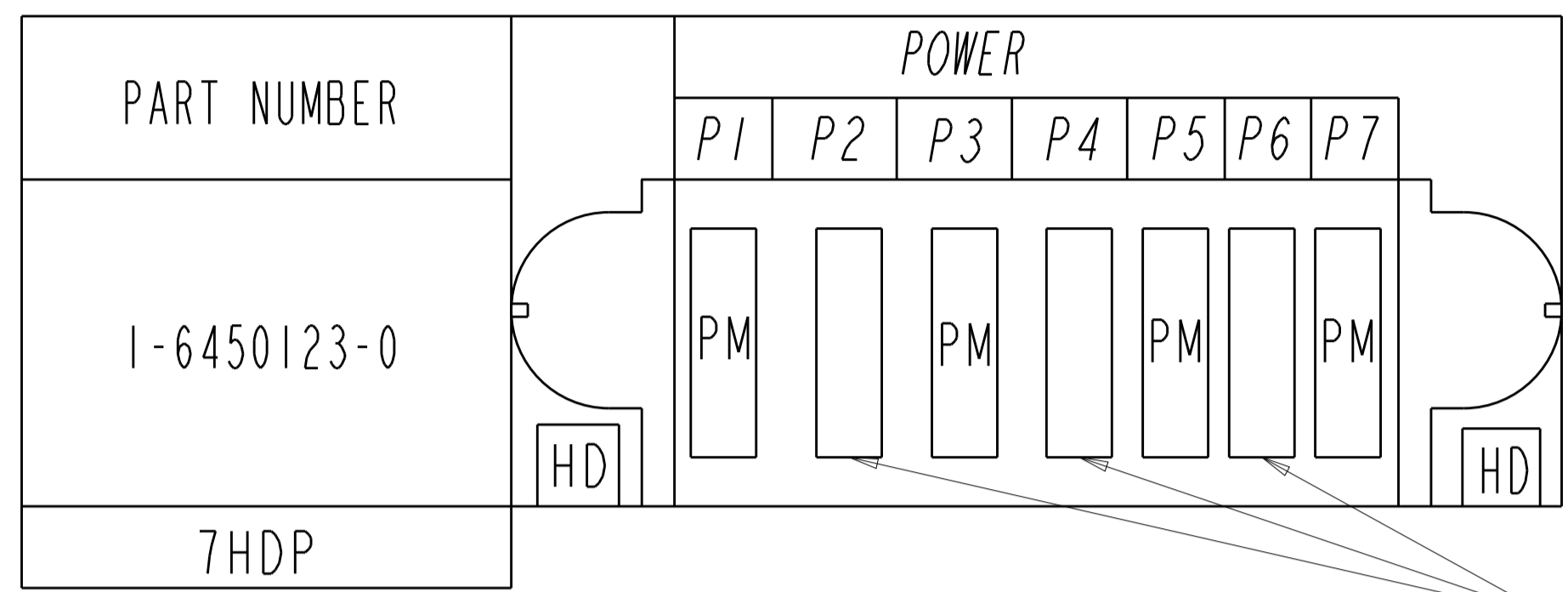


THIS DRAWING IS A CONTROLLED DOCUMENT. DIMENSIONS: INCHES. TOLERANCES UNLESS OTHERWISE SPECIFIED: 0 PLC ±.01, 1 PLC ±.01, 2 PLC ±.01, 3 PLC ±.01, 4 PLC ±.005, 5 PLC ±.005, 6 PLC ±.002, 7 PLC ±.002, 8 PLC ±.002. ANGLES ±.020. MATERIAL: . FINISH: .

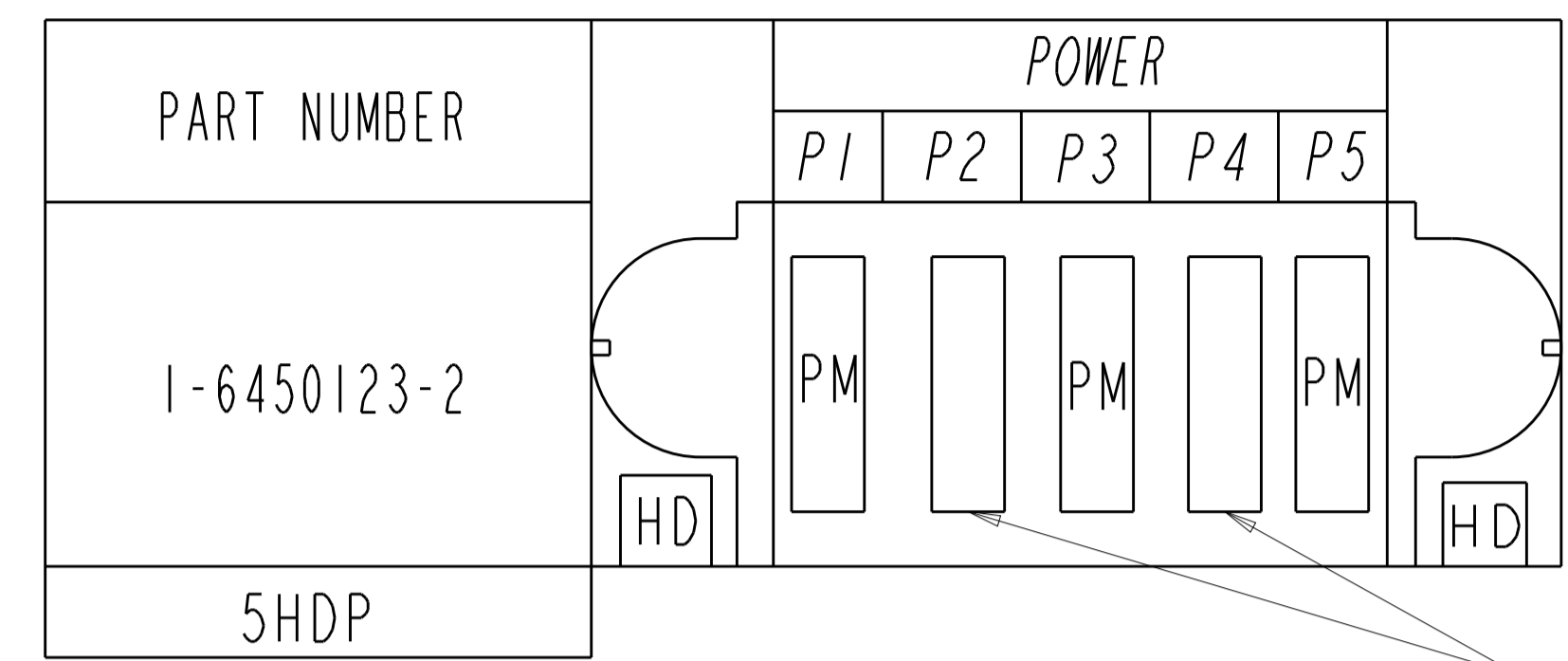
OWN: R. GRZYBOWSKI, TOFEB05. CHK: M. PERCHERKE, TOFEB05. APVD: M. PERCHERKE. NAME: RIGHT ANGLE HEADER ASSEMBLY W/GUIDES MULTI-BEAM XL. PRODUCT SPEC: 108-1973. APPLICATION SPEC: 114-13038. WEIGHT: . SIZE: CAGE CODE: DRAWING NO: A100779. REV: C6. SCALE: 4:1. SHEET: 3 OF 8.

STE TE Connectivity

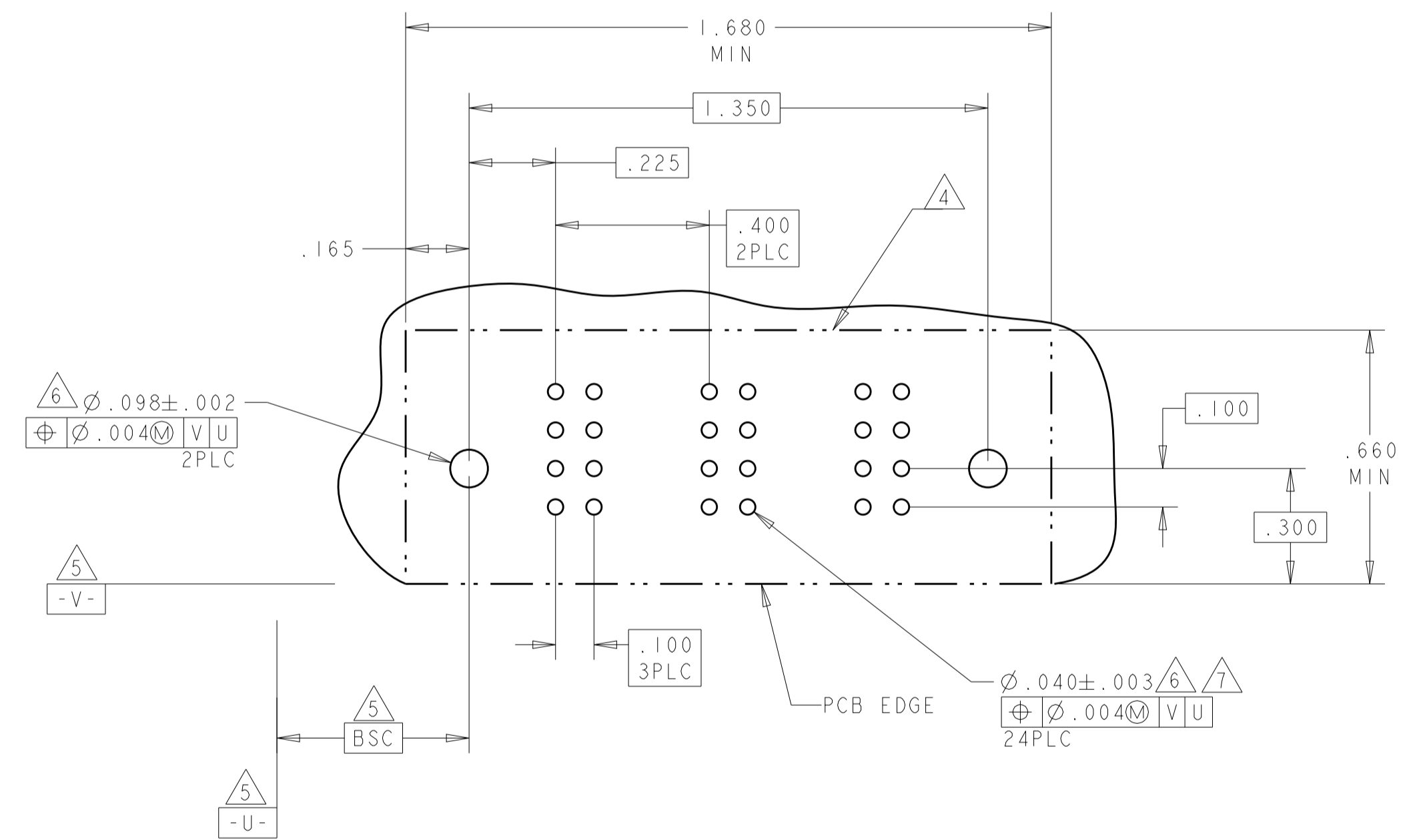
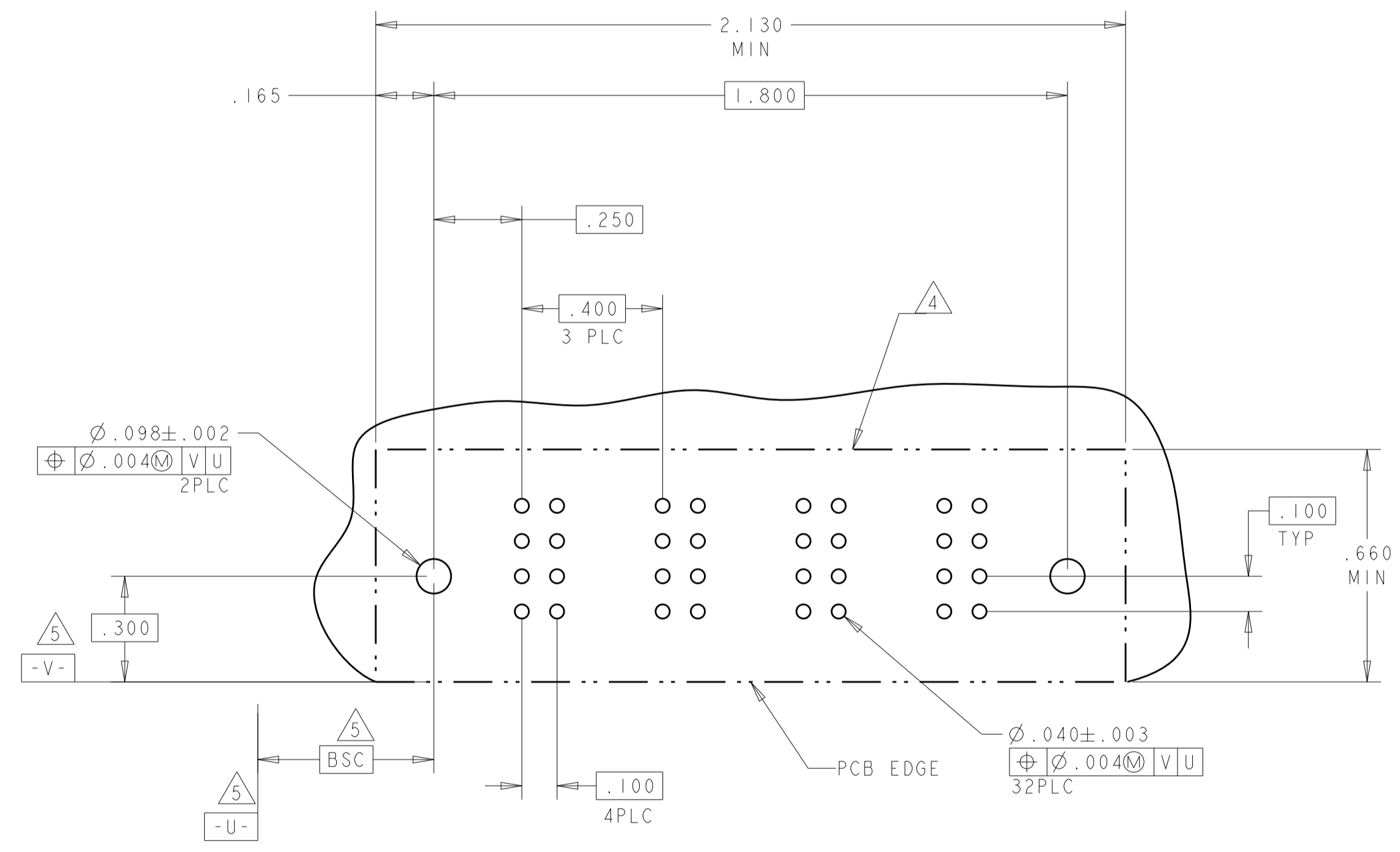
| LOC | | DIST | | REVISONS | | | |
|-----|----|------|-----|-------------|------|-----|------|
| GP | 00 | P | LTH | DESCRIPTION | DATE | DMN | APVD |
| | | - | | SEE SHEET 1 | | | |



NO LOADING CONTACT



NO LOADING CONTACT

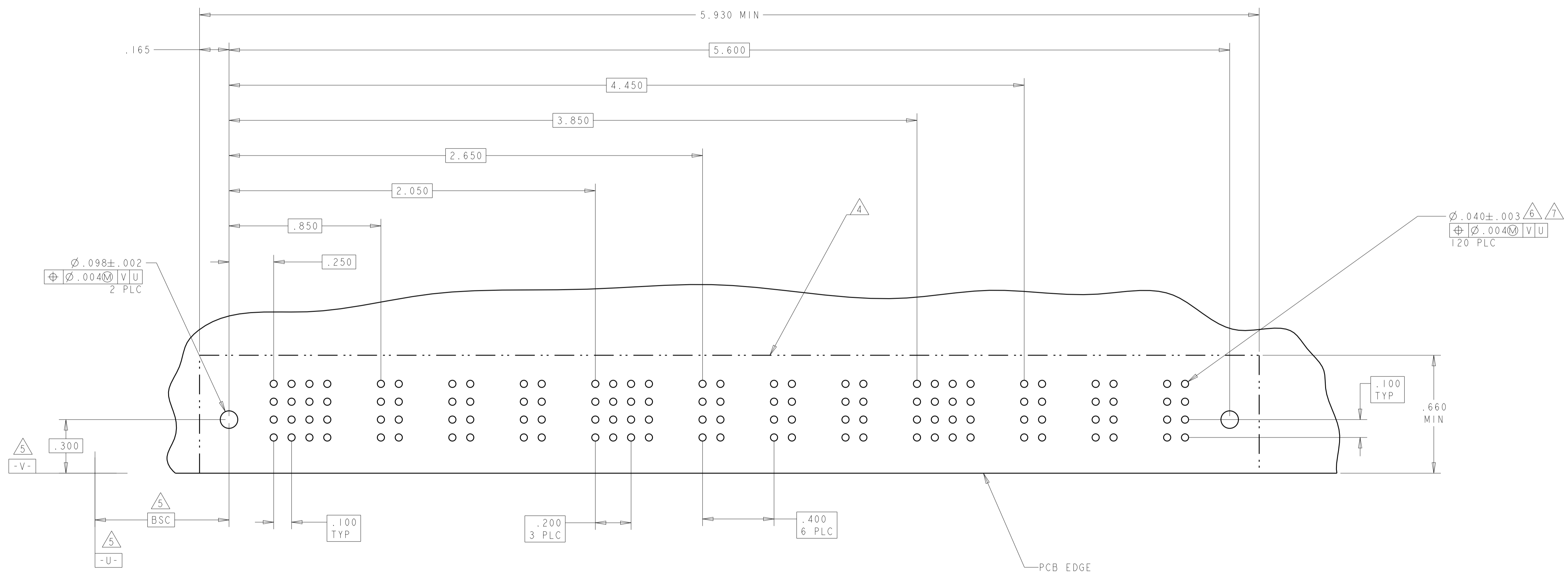


| | | | | |
|--|--|-----------------------------|--|----------------------------|
| THIS DRAWING IS A CONTROLLED DOCUMENT. | | DMN: R. GRZYBOWSKI | TOFEB05 | STE TE Connectivity |
| DIMENSIONS: INCHES | | CHK: M. PERCHERKE | TOFEB05 | |
| TOLERANCES UNLESS OTHERWISE SPECIFIED: | | APVD: M. PERCHERKE | NAME: RIGHT ANGLE HEADER ASSEMBLY W/GUIDES MULTI-BEAM XL | RESTRICTED TO |
| 0 PLC ±.01 | | PRODUCT SPEC: 108-1973 | SIZE: A100779 | |
| 1 PLC ±.01 | | APPLICATION SPEC: 114-13038 | CAGE CODE: C=6450123 | |
| 2 PLC ±.01 | | WEIGHT: - | SCALE: 4:1 | |
| 3 PLC ±.005 | | CUSTOMER DRAWING | SHEET 4 OF 8 | REV: C6 |
| 4 PLC ±.0020 | | | | |
| ANGLES: ±.7° | | | | |
| FINISH: - | | | | |

| LOC | DIST | REVISIONS | | | |
|-----|------|-------------|------|-----|------|
| P | LTN | DESCRIPTION | DATE | DMN | APVD |
| - | - | SEE SHEET 1 | - | - | - |
| | | | | | |
| | | | | | |

| PART NUMBER | ROWS | POWER | | | | | | | | | | | | | | | | | | | | | | | | | |
|-------------|------------------|-------|----|----|----|----|----|----|----|----|-----|-----|-----|-----|-----|-----|-----|-----|-----|-----|-----|-----|-----|-----|-----|-----|-----|
| | | P1 | P2 | P3 | P4 | P5 | P6 | P7 | P8 | P9 | P10 | P11 | P12 | P13 | P14 | P15 | P16 | P17 | P18 | P19 | P20 | P21 | P22 | P23 | P24 | P25 | P26 |
| 1-6450123-1 | D C B A | PM | PM | PM | PM | PM | PM | PM | PM | PM | PM | PM | PM | PM | PM | PM | PM | PM | PM | PM | PM | PM | PM | PM | PM | PM | PM |
| 26P | | HD | | | | | | | | | | | | | | | | | | | | | | | | | HD |

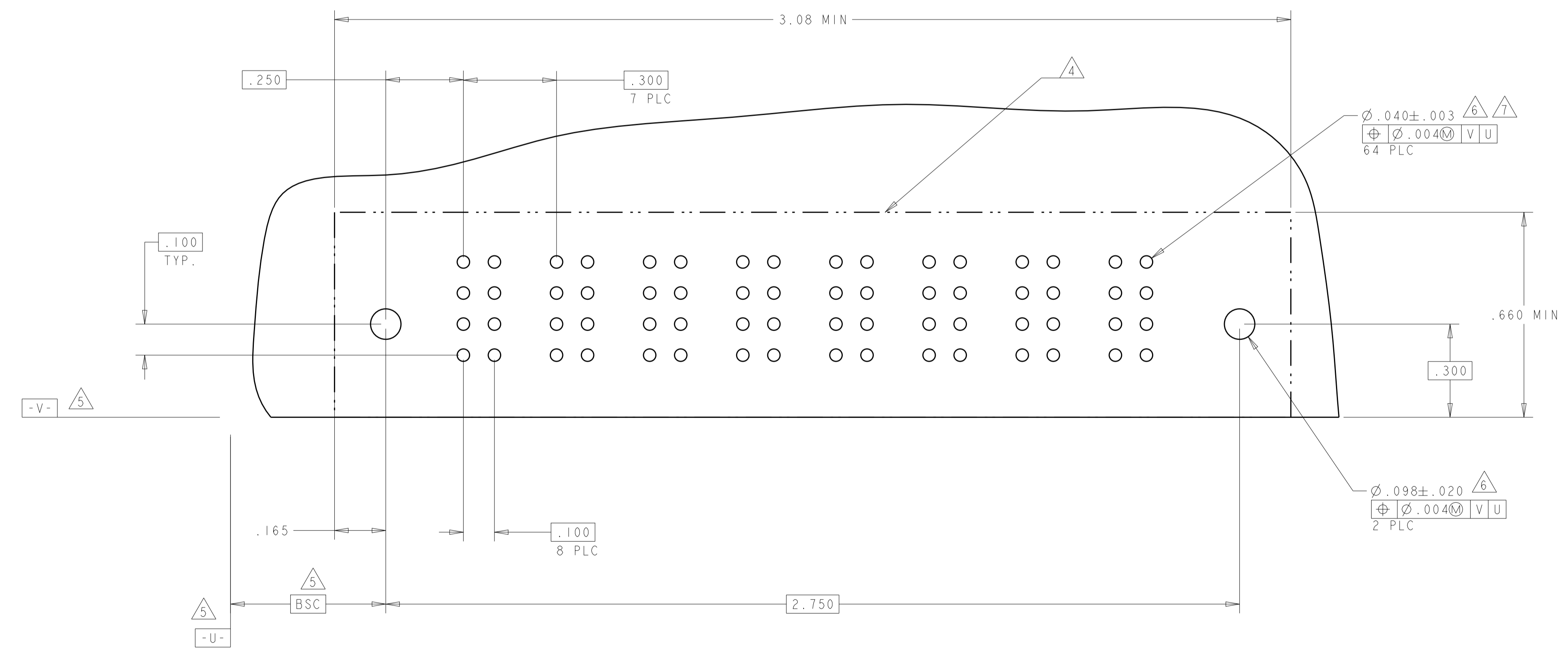
NO CONTACTS LOADED



| | | | | |
|--|--|--------------------------|--|-----------------|
| THIS DRAWING IS A CONTROLLED DOCUMENT. | | DMN R. GRZYBOWSKI | 10FEB05 | TE Connectivity |
| DIMENSIONS: INCHES | | CHK M. PERCHERKE | 10FEB05 | |
| TOLERANCES UNLESS OTHERWISE SPECIFIED: 0 PLC ±. 1 PLC ±.01 2 PLC ±.01 3 PLC ±.005 4 PLC ±.0020 ANGLES ±.2° FINISH | | APVD M. PERCHERKE | NAME RIGHT ANGLE HEADER ASSEMBLY W/GUIDES MULTI-BEAM XL | RESTRICTED TO |
| MATERIAL | | PRODUCT SPEC 108-1973 | APPLICATION SPEC 114-13038 | SCALE 4:1 |
| CUSTOMER DRAWING | | WEIGHT | SIZE A100779 | SHEET 5 OF 8 |
| | | REVISIONS | CAGE CODE 6450123 | REV C6 |

| LOC | DIST | REVISIONS | | | |
|-----|------|-------------|------|-----|------|
| P | LTN | DESCRIPTION | DATE | DMN | APVD |
| GP | 00 | SEE SHEET 1 | - | - | - |
| | | | | | |
| | | | | | |

| PART NUMBER | ROWS | POWER | | | | | | | | |
|-------------|------|-------|----|----|----|----|----|----|----|----|
| | | P1 | P2 | P3 | P4 | P5 | P6 | P7 | P8 | |
| 1-6450123-4 | D | HD | PM | PM | PM | PM | PM | PM | PM | HD |
| | C | | | | | | | | | |
| | B | | | | | | | | | |
| | A | | | | | | | | | |
| 8P | | | | | | | | | | |

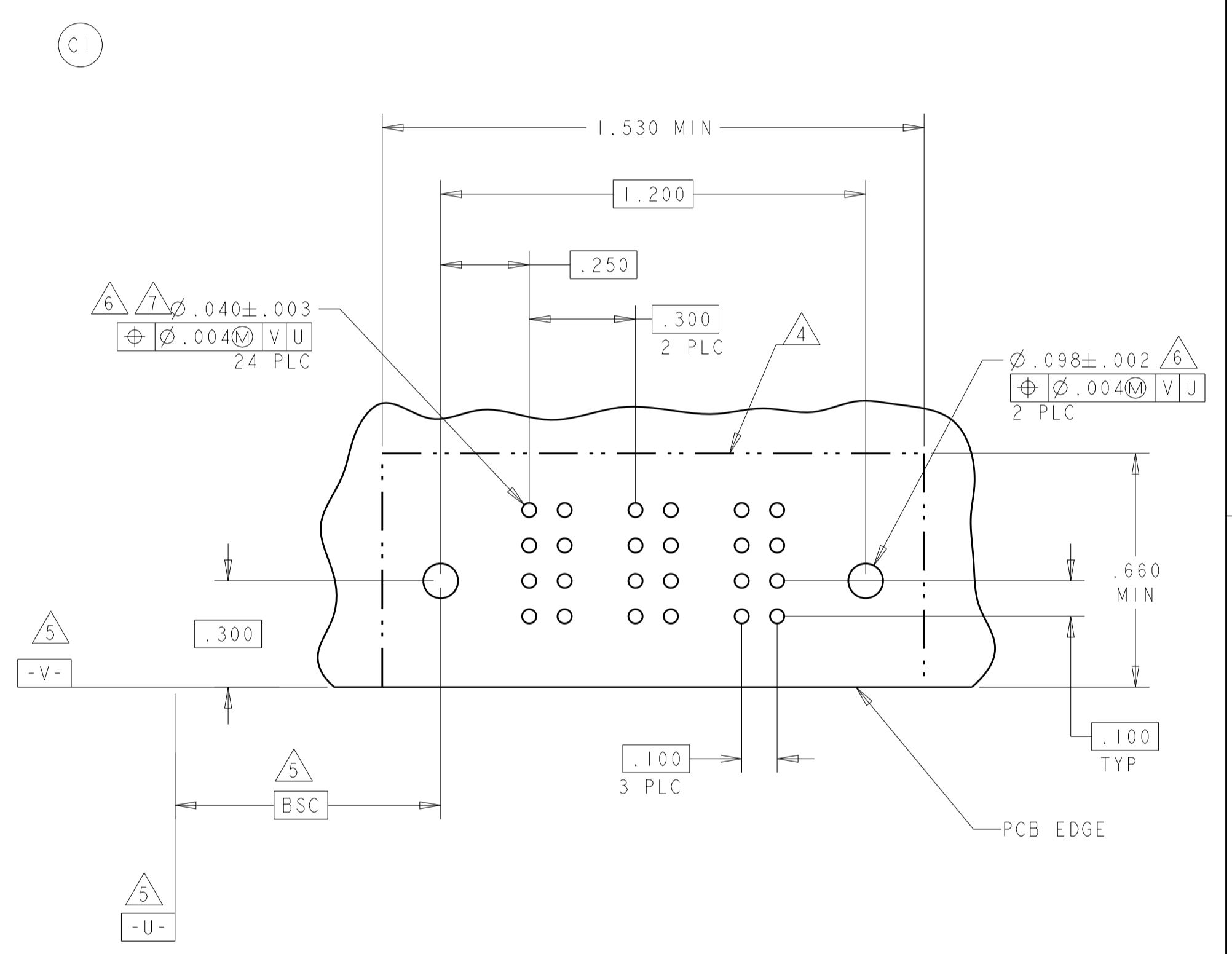
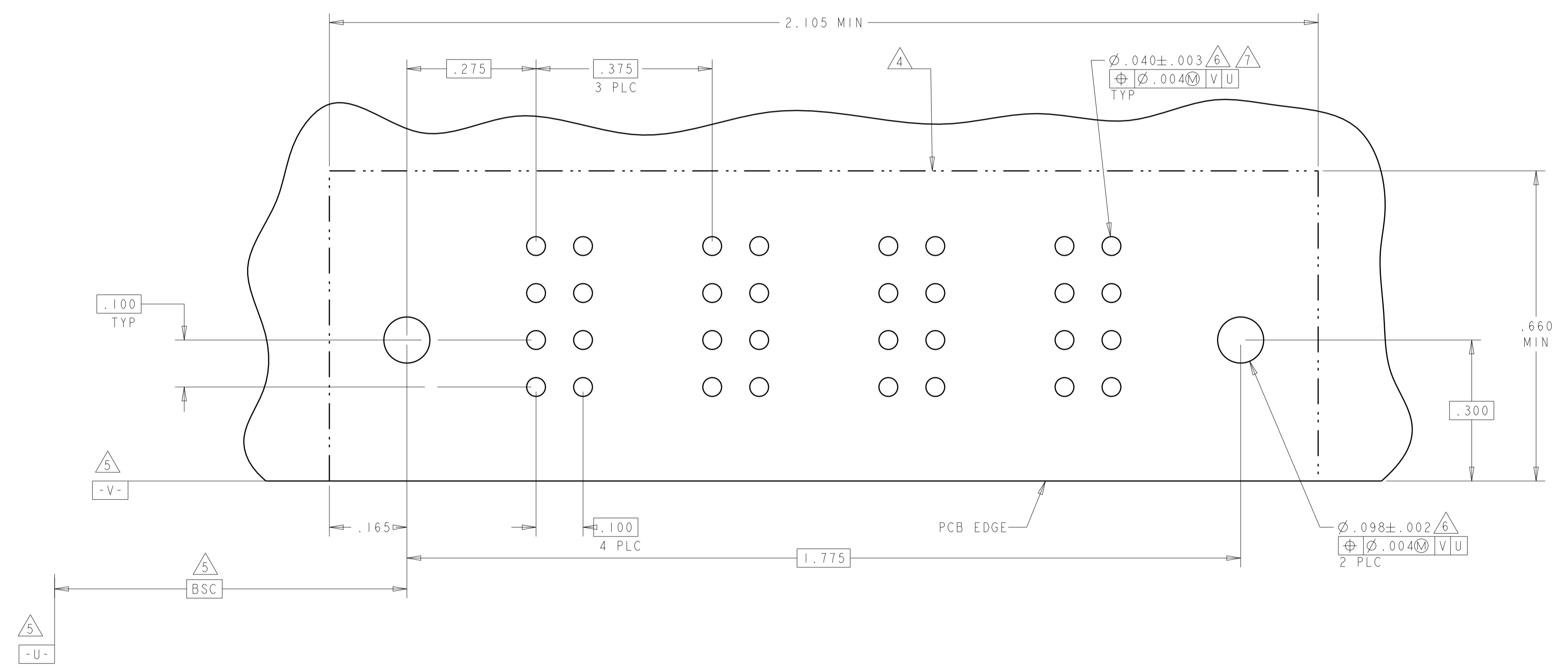


| | | | | |
|--|--|------------------------|--|-----------------|
| THIS DRAWING IS A CONTROLLED DOCUMENT. | | DMN: R. GRZYBOWSKI | 10FEB05 | TE Connectivity |
| DIMENSIONS: INCHES | | CHK: M. PERCHERKE | 10FEB05 | |
| TOLERANCES UNLESS OTHERWISE SPECIFIED: 0 PLC ±. 1 PLC ±.01 2 PLC ±.01 3 PLC ±.005 4 PLC ±.0020 ANGLES ±.2° | | APVD: M. PERCHERKE | NAME: RIGHT ANGLE HEADER ASSEMBLY W/GUIDES MULTI-BEAM XL | RESTRICTED TO: |
| MATERIAL: - | | PRODUCT SPEC: 108-1973 | APPLICATION SPEC: 114-13038 | SIZE: A1 |
| FINISH: - | | WEIGHT: - | SCALE: 4:1 | SHEET 6 OF 8 |
| CUSTOMER DRAWING | | DRAWING NO: 6450123 | | REV: C6 |

| LOC | DIST | REVISIONS | | | |
|-----|------|-------------|------|-----|------|
| P | LTN | DESCRIPTION | DATE | DMN | APVD |
| - | - | SEE SHEET 1 | - | - | - |

| PART NUMBER | ROWS | POWER | | | |
|-------------|------------------|-------|----|----|----|
| | | P1 | P2 | P3 | P4 |
| 1-6450123-5 | D C B A | PM | PM | PM | PM |
| 4P | | HD | | | HD |

| PART NUMBER | ROWS | POWER | | |
|-------------|------------------|-------|----|----|
| | | P1 | P2 | P3 |
| 1-6450123-6 | D C B A | PM | PM | PM |
| 3ACP | | HD | | HD |

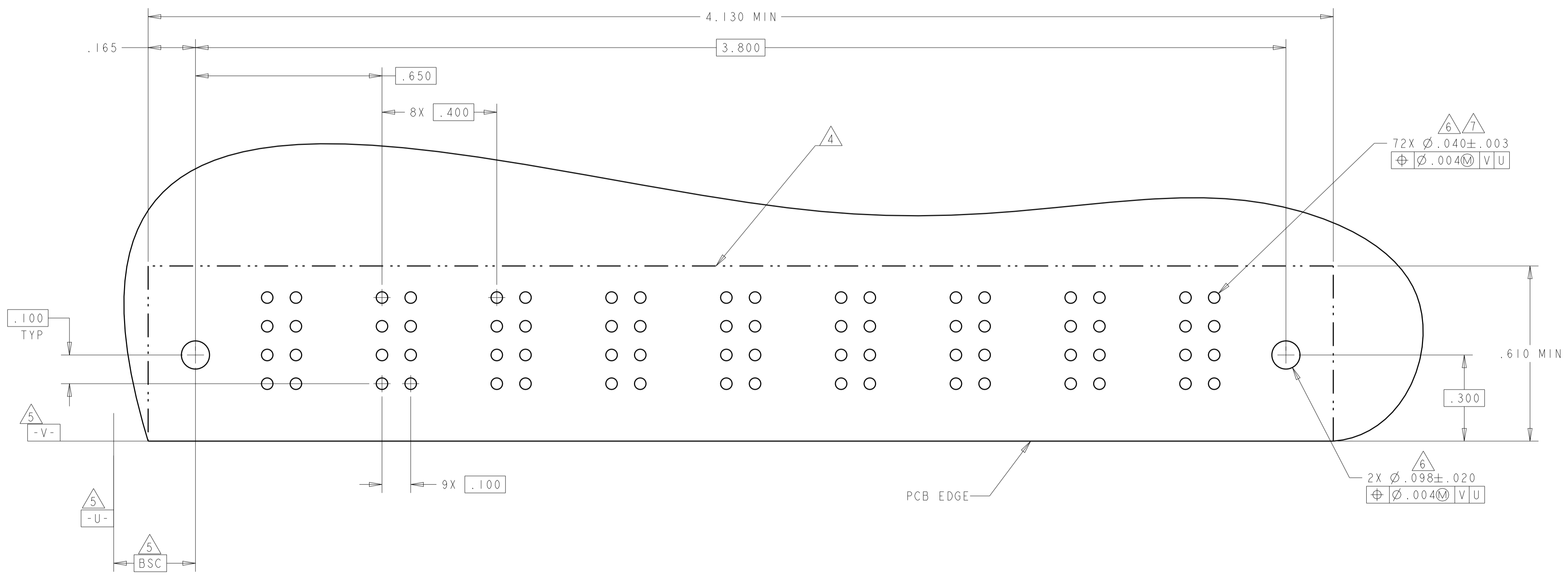
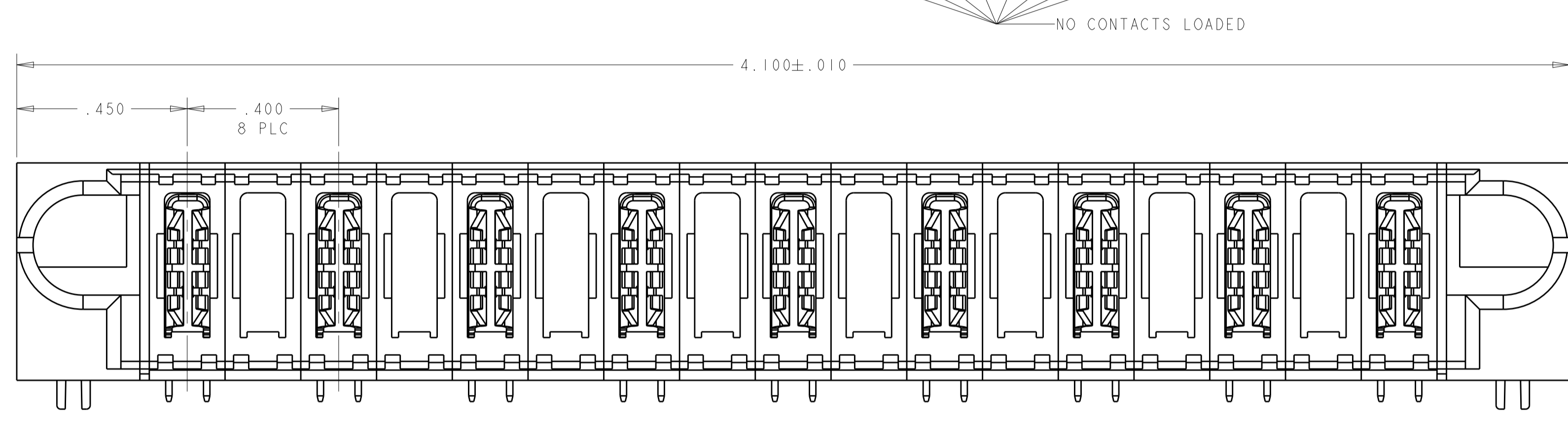


| | | | | |
|--|--------|--------------------|-----------|--|
| THIS DRAWING IS A CONTROLLED DOCUMENT. | | DMN: R. GRZYBOWSKI | TOFEB05 | TE Connectivity |
| DIMENSIONS: INCHES | | CHK: M. PERCHERKE | TOFEB05 | |
| TOLERANCES UNLESS OTHERWISE SPECIFIED: | | APVD: M. PERCHERKE | | NAME: RIGHT ANGLE HEADER ASSEMBLY W/GUIDES MULTI-BEAM XL |
| 0 PLC | ± | PRODUCT SPEC | 108-1973 | APPLICATION SPEC |
| 1 PLC | ±.01 | SIZE | 114-13038 | WEIGHT |
| 2 PLC | ±.005 | SCALE | 4:1 | SHEET 7 OF 8 |
| 3 PLC | ±.0020 | RESTRICTED TO | | REV: C6 |
| 4 PLC | ±.0020 | | | |
| ANGLES | ±.0020 | | | |
| FINISH | ±.0020 | | | |
| MATERIAL | | CUSTOMER DRAWING | | |

| LOC | DIST | REVISIONS | | | |
|-----|------|-------------|------|-----|------|
| P | LTN | DESCRIPTION | DATE | DMN | APVD |
| - | - | SEE SHEET 1 | - | - | - |

| PART NUMBER | ROWS | POWER | | | | | | | | | | | | | | | | |
|-------------|------------------|-------|----|----|----|----|----|----|----|----|-----|-----|-----|-----|-----|-----|-----|-----|
| | | P1 | P2 | P3 | P4 | P5 | P6 | P7 | P8 | P9 | P10 | P11 | P12 | P13 | P14 | P15 | P16 | P17 |
| 1-6450123-8 | D C B A | PM | | | | | | | | | | | | | | | | |
| | | HD | | | | | | | | | | | | | | | | |
| 17P | | | | | | | | | | | | | | | | | | |

FOR PART 1-6450123-8 MAX OPERATING VOLTAGE: 480VAC AND WITHSTAND HOT PLUG WITH 480VAC 0.1A



| | | | | | |
|--|--|----------------------|---------|-------------------------------|---|
| THIS DRAWING IS A CONTROLLED DOCUMENT. | | DMN R. GRZYBOWSKI | 10FEB05 | | TE Connectivity |
| DIMENSIONS: INCHES | | CHK M. PERCHERKE | 10FEB05 | | NAME RIGHT ANGLE HEADER ASSEMBLY W/GUIDES MULTI-BEAM XL |
| TOLERANCES UNLESS OTHERWISE SPECIFIED: | | APVD M. PERCHERKE | | PRODUCT SPEC | |
| 0 PLC ± | | | | 108-1973 | |
| 1 PLC ±.01 | | | | APPLICATION SPEC | |
| 2 PLC ±.005 | | | | 114-13038 | |
| 3 PLC ±.0020 | | | | SIZE CAGE CODE DRAWING NO | |
| ANGLES ±.020 | | | | A100779C=6450123 | |
| FINISH | | | | RESTRICTED TO | |
| MATERIAL | | | | CUSTOMER DRAWING | |
| | | | | SCALE 4:1 SHEET 8 OF 8 REV C6 | |



Компания «ЭлектроПласт» предлагает заключение долгосрочных отношений при поставках импортных электронных компонентов на взаимовыгодных условиях!

Наши преимущества:

- Оперативные поставки широкого спектра электронных компонентов отечественного и импортного производства напрямую от производителей и с крупнейших мировых складов;
- Поставка более 17-ти миллионов наименований электронных компонентов;
- Поставка сложных, дефицитных, либо снятых с производства позиций;
- Оперативные сроки поставки под заказ (от 5 рабочих дней);
- Экспресс доставка в любую точку России;
- Техническая поддержка проекта, помощь в подборе аналогов, поставка прототипов;
- Система менеджмента качества сертифицирована по Международному стандарту ISO 9001;
- Лицензия ФСБ на осуществление работ с использованием сведений, составляющих государственную тайну;
- Поставка специализированных компонентов (Xilinx, Altera, Analog Devices, Intersil, Interpoint, Microsemi, Aeroflex, Peregrine, Syfer, Eurofarad, Texas Instrument, Miteq, Cobham, E2V, MA-COM, Hittite, Mini-Circuits, General Dynamics и др.);

Помимо этого, одним из направлений компании «ЭлектроПласт» является направление «Источники питания». Мы предлагаем Вам помощь Конструкторского отдела:

- Подбор оптимального решения, техническое обоснование при выборе компонента;
- Подбор аналогов;
- Консультации по применению компонента;
- Поставка образцов и прототипов;
- Техническая поддержка проекта;
- Защита от снятия компонента с производства.



Как с нами связаться

Телефон: 8 (812) 309 58 32 (многоканальный)

Факс: 8 (812) 320-02-42

Электронная почта: org@eplast1.ru

Адрес: 198099, г. Санкт-Петербург, ул. Калинина, дом 2, корпус 4, литера А.