



Main

| | |
|-------------------------------|--|
| Range of product | OsiSense XU |
| Series name | Application tertiary sector |
| Electronic sensor type | Photo-electric sensor |
| Product specific application | Access detection |
| Sensor name | XUK |
| Sensor design | Compact 50 x 50 |
| Additional information | French/english leaflet |
| Material | Plastic |
| Detection system | Reflex |
| Emission | Infrared reflex |
| [Sn] nominal sensing distance | 22.97 ft (7 m) with 50 x 50 mm reflector |
| Wiring technique | 5-wire |
| Cable length | 6.56 ft (2 m) |

Complementary

| | |
|----------------------------|--|
| Kit composition | 50 x 50 mm reflector Fixing bracket Mounting instructions Reflex system photo-electric sensor |
| Enclosure material | PBT |
| Lens material | PMMA |
| Type of output signal | Discrete |
| Output type | Relay |
| Discrete output type | 1 C/O |
| Output function governance | Light |
| Electrical connection | Cable |
| Wire insulation material | PVC |
| Status LED | 1 LED output state |
| Supply circuit type | AC/DC |
| [Us] rated supply voltage | 24...240 V AC/DC with reverse polarity protection |
| Supply voltage limits | 20...264 V AC/DC |
| Output voltage | 250 V AC |
| Switching capacity in mA | 3 A |
| Switching frequency | < 20 Hz |
| Power consumption in W | 2 W |
| Delay first up | <= 60 ms |
| Delay response | <= 25 ms |
| Delay recovery | <= 25 ms |
| Product weight | 0.66 lb(US) (0.3 kg) |

Environment

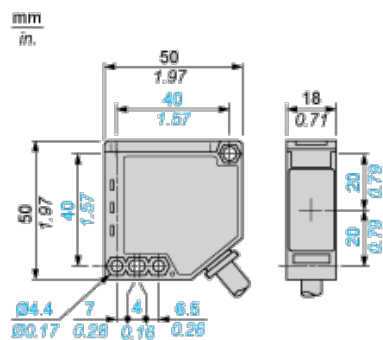
| | |
|---------------------------------------|---|
| product certifications | CE CSA UL |
| ambient air temperature for operation | -13...131 °F (-25...55 °C) |
| ambient air temperature for storage | -40...158 °F (-40...70 °C) |
| vibration resistance | 7 gn, amplitude = +/- 1.5 mm (f = 10...55 Hz) conforming to IEC 60068-2-6 |
| shock resistance | 30 gn (duration = 11 ms) conforming to IEC 60068-2-27 |
| IP degree of protection | IP65 (double insulation) conforming to IEC 60529 |

The information provided in this documentation contains general descriptions and/or technical characteristics of the performance of the products contained herein. This documentation is not intended as a substitute for and is not to be used for determining suitability or reliability of these products for specific user applications. It is the duty of any such user or integrator to perform the appropriate and complete risk analysis, evaluation and testing of the products with respect to the relevant specific application or use thereof. Neither Schneider Electric Industries SAS nor any of its affiliates or subsidiaries shall be responsible or liable for misuse of the information contained herein.

Offer Sustainability

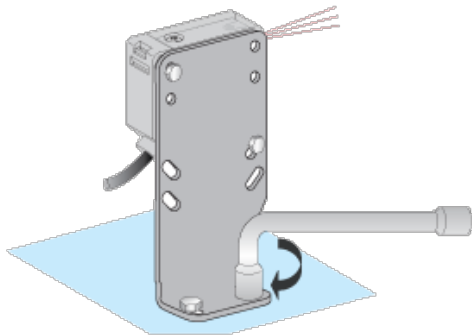
| | |
|--|--|
| Not Green Premium product | Not Green Premium product |
| Compliant - since 0927 - Schneider Electric declaration of conformity | Compliant - since 0927 - Schneider Electric declaration of conformity |
| WARNING: This product can expose you to chemicals including: | WARNING: This product can expose you to chemicals including: |
| Diisononyl phthalate (DINP), which is known to the State of California to cause cancer, and | Diisononyl phthalate (DINP), which is known to the State of California to cause cancer, and |
| Di-isodecyl phthalate (DIDP), which is known to the State of California to cause birth defects or other reproductive harm. | Di-isodecyl phthalate (DIDP), which is known to the State of California to cause birth defects or other reproductive harm. |
| For more information go to www.p65warnings.ca.gov | For more information go to www.p65warnings.ca.gov |

Dimensions

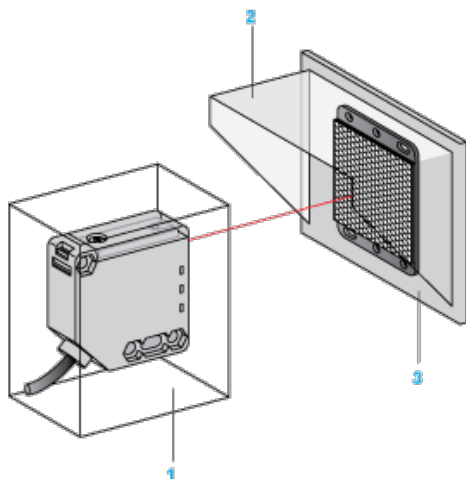


Mounting Precautions

Rigid Fixing for Trouble Free Detection



Outdoor Mounting under Protective Cover

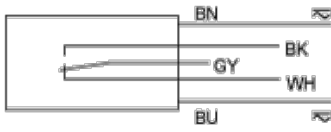


- (1) Protective housing
- (2) Lens hood

(3) Thermal insulator to avoid frost or condensation forming on the optical parts

Wiring Schemes

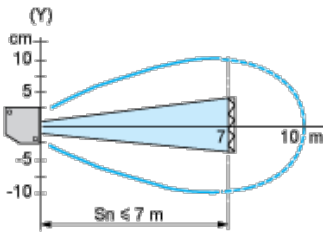
5-Wire AC or DC



BN : Brown
 WH :White
 BU : Blue
 BK : Black
 GY : Grey

Detection Curves

Reflex System AC or DC

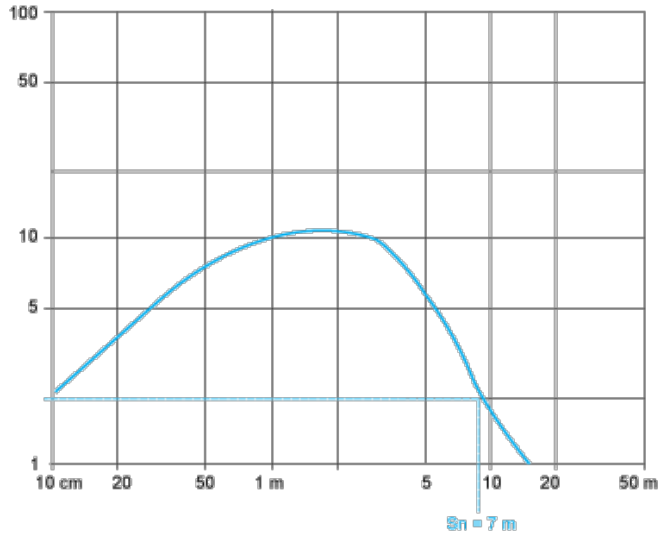


(y) \varnothing of beam (cm)

Detection Curves

Reflex System AC or DC

With reflector XUZC50



(y) Gain



Компания «ЭлектроПласт» предлагает заключение долгосрочных отношений при поставках импортных электронных компонентов на взаимовыгодных условиях!

Наши преимущества:

- Оперативные поставки широкого спектра электронных компонентов отечественного и импортного производства напрямую от производителей и с крупнейших мировых складов;
- Поставка более 17-ти миллионов наименований электронных компонентов;
- Поставка сложных, дефицитных, либо снятых с производства позиций;
- Оперативные сроки поставки под заказ (от 5 рабочих дней);
- Экспресс доставка в любую точку России;
- Техническая поддержка проекта, помощь в подборе аналогов, поставка прототипов;
- Система менеджмента качества сертифицирована по Международному стандарту ISO 9001;
- Лицензия ФСБ на осуществление работ с использованием сведений, составляющих государственную тайну;
- Поставка специализированных компонентов (Xilinx, Altera, Analog Devices, Intersil, Interpoint, Microsemi, Aeroflex, Peregrine, Syfer, Eurofarad, Texas Instrument, Miteq, Cobham, E2V, MA-COM, Hittite, Mini-Circuits, General Dynamics и др.);

Помимо этого, одним из направлений компании «ЭлектроПласт» является направление «Источники питания». Мы предлагаем Вам помощь Конструкторского отдела:

- Подбор оптимального решения, техническое обоснование при выборе компонента;
- Подбор аналогов;
- Консультации по применению компонента;
- Поставка образцов и прототипов;
- Техническая поддержка проекта;
- Защита от снятия компонента с производства.



Как с нами связаться

Телефон: 8 (812) 309 58 32 (многоканальный)

Факс: 8 (812) 320-02-42

Электронная почта: org@eplast1.ru

Адрес: 198099, г. Санкт-Петербург, ул. Калинина, дом 2, корпус 4, литера А.