



**MICROCHIP**

**dsPIC33EVXXGM00X/10X FAMILY**

---

---

## 16-Bit, 5V Digital Signal Controllers with PWM, SENT, Op Amps and Advanced Analog Features

---

---

### Operating Conditions

- 4.5V to 5.5V, -40°C to +85°C, DC to 70 MIPS
- 4.5V to 5.5V, -40°C to +125°C, DC to 60 MIPS
- 4.5V to 5.5V, -40°C to +150°C, DC to 40 MIPS

### Core: 16-Bit dsPIC33E CPU

- Code-Efficient (C and Assembly) Architecture
- 16-Bit Wide Data Path
- Two 40-Bit Wide Accumulators
- Single-Cycle (MAC/MPY) with Dual Data Fetch
- Single-Cycle, Mixed-Sign MUL plus Hardware Divide
- 32-Bit Multiply Support
- Intermediate Security for Memory:
  - Provides a Boot Flash Segment in addition to the existing General Flash Segment
- Error Code Correction (ECC) for Flash
- Added Two Alternate Register Sets for Fast Context Switching

### Clock Management

- Internal, 15% Low-Power RC (LPRC) – 32 kHz
- Internal, 1% Fast RC (FRC) – 7.37 MHz
- Internal, 10% Backup FRC (BFRC) – 7.37 MHz
- Programmable PLLs and Oscillator Clock Sources
- Fail-Safe Clock Monitor (FSCM)
- Additional FSCM Source (BFRC), Intended to Provide a Clock Fail Switch Source for the System Clock
- Independent Watchdog Timer (WDT)
- System Windowed Watchdog Timer (DMT)
- Fast Wake-up and Start-up

### Power Management

- Low-Power Management modes (Sleep, Idle and Doze)
- Power Consumption Minimized Executing NOP String
- Integrated Power-on Reset (POR) and Brown-out Reset (BOR)
- 0.5 mA/MHz Dynamic Current (typical)
- 50  $\mu$ A at +25°C IPD Current (typical)

### PWM

- Up to Six Pulse-Width Modulation (PWM) Outputs (three generators)
- Primary Master Time Base Inputs allow Time Base Synchronization from Internal/External Sources
- Dead Time for Rising and Falling Edges
- 7.14 ns PWM Resolution
- PWM Support for:
  - DC/DC, AC/DC, inverters, Power Factor Correction (PFC) and lighting
  - Brushless Direct Current (BLDC), Permanent Magnet Synchronous Motor (PMSM), AC Induction Motor (ACIM), Switched Reluctance Motor (SRM)
  - Programmable Fault inputs
  - Flexible trigger configurations for Analog-to-Digital conversion
  - Supports PWM lock, PWM output chopping and dynamic phase shifting

### Advanced Analog Features

- ADC module:
  - Configurable as 10-bit, 1.1 Msps with four S&H or 12-bit, 500 ksps with one S&H
  - Up to 36 analog inputs
- Flexible and Independent ADC Trigger Sources
- Up to Four Op Amp/Comparators with Direct Connection to the ADC module:
  - Additional dedicated comparator and 7-bit Digital-to-Analog Converter (DAC)
  - Two comparator voltage reference outputs
  - Programmable references with 128 voltage points
  - Programmable blanking and filtering
- Charge Time Measurement Unit (CTMU):
  - Supports mTouch<sup>®</sup> capacitive touch sensing
  - Provides high-resolution time measurement (1 ns)
  - On-chip temperature measurement
  - Temperature sensor diode
  - Nine sources of edge input triggers (CTED1, CTED2, OCPWM, TMR1, SYSCLK, OSCLK, FRC, BFRC and LPRC)

# dsPIC33EVXXGM00X/10X FAMILY

---

## Timers/Output Compare/Input Capture

- Nine General Purpose Timers:
  - Five 16-bit and up to two 32-bit timers/counters; Timer3 can provide ADC trigger
- Four Output Compare modules Configurable as Timers/Counters
- Four Input Capture modules

## Communication Interfaces

- Two Enhanced Addressable Universal Asynchronous Receiver/Transmitter (UART) modules (6.25 Mbps):
  - With support for LIN/J2602 bus and IrDA®
  - High and low speed (SCI)
- Two SPI modules (15 Mbps):
  - 25 Mbps data rate without using PPS
- One I<sup>2</sup>C module (up to 1 Mbaud) with SMBus Support
- Two SENT J2716 (Single-Edge Nibble Transmission-Transmit/Receive) module for Automotive Applications
- One CAN module:
  - 32 buffers, 16 filters and three masks

## Direct Memory Access (DMA)

- 4-Channel DMA with User-Selectable Priority Arbitration
- UART, Serial Peripheral Interface (SPI), ADC, Input Capture, Output Compare and Controller Area Network (CAN)

## Input/Output

- GPIO Registers to Support Selectable Slew Rate I/Os
- Peripheral Pin Select (PPS) to allow Function Remap
- Sink/Source: 8 mA or 12 mA, Pin-Specific for Standard VOH/VOL
- Selectable Open-Drain, Pull-ups and Pull-Downs
- Change Notice Interrupts on All I/O Pins

## Qualification and Class B Support

- AEC-Q100 REVG (Grade 1: -40°C to +125°C) Compliant
- AEC-Q100 REVG (Grade 0: -40°C to +150°C) Compliant
- Class B Safety Library, IEC 60730

## Class B Fault Handling Support

- Backup FRC
- Windowed WDT uses LPRC
- Windowed Deadman Timer (DMT) uses System Clock (System Windowed Watchdog Timer)
- H/W Clock Monitor Circuit
- Oscillator Frequency Monitoring through CTMU (OSCI, SYSCLK, FRC, BFRC, LPRC)
- Dedicated PWM Fault Pin
- Lockable Clock Configuration

## Debugger Development Support

- In-Circuit and In-Application Programming
- Three Complex and Five Simple Breakpoints
- Trace and Run-Time Watch

## dsPIC33EVXXXGM00X/10X PRODUCT FAMILIES

The device names, pin counts, memory sizes and peripheral availability of each device are listed in [Table 1](#). The following pages show the devices' pinout diagrams.

**TABLE 1: dsPIC33EVXXXGM00X/10X FAMILY DEVICES**

| Device            | Program Memory Bytes | SRAM Bytes | CAN | DMA Channels | 16-Bit Timers (T1) | 32-Bit Timers | Input Capture | Output Compare | PWM | UART | SPI | I <sup>2</sup> C | SENT | 10/12-Bit ADC | ADC Inputs | Op Amp/Comparators | CTMU | Security     | Peripheral Pin Select (PPS) | General Purpose I/O (GPIO) | External Interrupts | Pins | Packages                 |   |   |   |   |   |     |   |   |   |   |   |    |     |   |              |   |    |   |    |           |
|-------------------|----------------------|------------|-----|--------------|--------------------|---------------|---------------|----------------|-----|------|-----|------------------|------|---------------|------------|--------------------|------|--------------|-----------------------------|----------------------------|---------------------|------|--------------------------|---|---|---|---|---|-----|---|---|---|---|---|----|-----|---|--------------|---|----|---|----|-----------|
| dsPIC33EV32GM002  | 32K                  | 4K         | 0   | 4            | 5                  | 2             | 4             | 4              | 3x2 | 2    | 2   | 1                | 2    | 1             | 11         | 3/4                | 1    | Intermediate | Y                           | 21                         | 3                   | 28   | SPDIP, SOIC, SSOP, QFN-S |   |   |   |   |   |     |   |   |   |   |   |    |     |   |              |   |    |   |    |           |
| dsPIC33EV32GM102  |                      |            | 1   |              |                    |               |               |                |     |      |     |                  |      |               |            |                    |      |              |                             |                            |                     |      |                          |   |   |   |   |   |     |   |   |   |   |   |    |     |   |              |   |    |   |    |           |
| dsPIC33EV64GM002  | 64K                  | 8K         | 0   |              |                    |               |               |                |     |      |     |                  |      |               |            |                    |      |              |                             |                            |                     |      |                          |   |   |   |   |   |     |   |   |   |   |   |    |     |   |              |   |    |   |    |           |
| dsPIC33EV64GM102  |                      |            | 1   |              |                    |               |               |                |     |      |     |                  |      |               |            |                    |      |              |                             |                            |                     |      |                          |   |   |   |   |   |     |   |   |   |   |   |    |     |   |              |   |    |   |    |           |
| dsPIC33EV128GM002 | 128K                 | 8K         | 0   |              |                    |               |               |                |     |      |     |                  |      |               |            |                    |      |              |                             |                            |                     |      |                          |   |   |   |   |   |     |   |   |   |   |   |    |     |   |              |   |    |   |    |           |
| dsPIC33EV128GM102 |                      |            | 1   |              |                    |               |               |                |     |      |     |                  |      |               |            |                    |      |              |                             |                            |                     |      |                          |   |   |   |   |   |     |   |   |   |   |   |    |     |   |              |   |    |   |    |           |
| dsPIC33EV256GM002 | 256K                 | 16K        | 0   |              |                    |               |               |                |     |      |     |                  |      |               |            |                    |      |              |                             |                            |                     |      |                          |   |   |   |   |   |     |   |   |   |   |   |    |     |   |              |   |    |   |    |           |
| dsPIC33EV256GM102 |                      |            | 1   |              |                    |               |               |                |     |      |     |                  |      |               |            |                    |      |              |                             |                            |                     |      |                          |   |   |   |   |   |     |   |   |   |   |   |    |     |   |              |   |    |   |    |           |
| dsPIC33EV32GM004  | 32K                  | 4K         | 0   |              |                    |               |               |                |     |      |     |                  |      |               |            |                    |      |              |                             |                            |                     |      |                          | 4 | 5 | 2 | 4 | 4 | 3x2 | 2 | 2 | 1 | 2 | 1 | 24 | 4/5 | 1 | Intermediate | Y | 35 | 3 | 44 | TQFP, QFN |
| dsPIC33EV32GM104  |                      |            | 1   |              |                    |               |               |                |     |      |     |                  |      |               |            |                    |      |              |                             |                            |                     |      |                          |   |   |   |   |   |     |   |   |   |   |   |    |     |   |              |   |    |   |    |           |
| dsPIC33EV64GM004  | 64K                  | 8K         | 0   |              |                    |               |               |                |     |      |     |                  |      |               |            |                    |      |              |                             |                            |                     |      |                          |   |   |   |   |   |     |   |   |   |   |   |    |     |   |              |   |    |   |    |           |
| dsPIC33EV64GM104  |                      |            | 1   |              |                    |               |               |                |     |      |     |                  |      |               |            |                    |      |              |                             |                            |                     |      |                          |   |   |   |   |   |     |   |   |   |   |   |    |     |   |              |   |    |   |    |           |
| dsPIC33EV128GM004 | 128K                 | 8K         | 0   |              |                    |               |               |                |     |      |     |                  |      |               |            |                    |      |              |                             |                            |                     |      |                          |   |   |   |   |   |     |   |   |   |   |   |    |     |   |              |   |    |   |    |           |
| dsPIC33EV128GM104 |                      |            | 1   |              |                    |               |               |                |     |      |     |                  |      |               |            |                    |      |              |                             |                            |                     |      |                          |   |   |   |   |   |     |   |   |   |   |   |    |     |   |              |   |    |   |    |           |
| dsPIC33EV256GM004 | 256K                 | 16K        | 0   |              |                    |               |               |                |     |      |     |                  |      |               |            |                    |      |              |                             |                            |                     |      |                          |   |   |   |   |   |     |   |   |   |   |   |    |     |   |              |   |    |   |    |           |
| dsPIC33EV256GM104 |                      |            | 1   |              |                    |               |               |                |     |      |     |                  |      |               |            |                    |      |              |                             |                            |                     |      |                          |   |   |   |   |   |     |   |   |   |   |   |    |     |   |              |   |    |   |    |           |
| dsPIC33EV32GM006  | 32K                  | 4K         | 0   | 4            | 5                  | 2             | 4             | 4              | 3x2 | 2    | 2   | 1                | 2    | 1             | 36         | 4/5                | 1    | Intermediate | Y                           | 53                         | 3                   | 64   | TQFP, QFN                |   |   |   |   |   |     |   |   |   |   |   |    |     |   |              |   |    |   |    |           |
| dsPIC33EV32GM106  |                      |            | 1   |              |                    |               |               |                |     |      |     |                  |      |               |            |                    |      |              |                             |                            |                     |      |                          |   |   |   |   |   |     |   |   |   |   |   |    |     |   |              |   |    |   |    |           |
| dsPIC33EV64GM006  | 64K                  | 8K         | 0   |              |                    |               |               |                |     |      |     |                  |      |               |            |                    |      |              |                             |                            |                     |      |                          |   |   |   |   |   |     |   |   |   |   |   |    |     |   |              |   |    |   |    |           |
| dsPIC33EV64GM106  |                      |            | 1   |              |                    |               |               |                |     |      |     |                  |      |               |            |                    |      |              |                             |                            |                     |      |                          |   |   |   |   |   |     |   |   |   |   |   |    |     |   |              |   |    |   |    |           |
| dsPIC33EV128GM006 | 128K                 | 8K         | 0   |              |                    |               |               |                |     |      |     |                  |      |               |            |                    |      |              |                             |                            |                     |      |                          |   |   |   |   |   |     |   |   |   |   |   |    |     |   |              |   |    |   |    |           |
| dsPIC33EV128GM106 |                      |            | 1   |              |                    |               |               |                |     |      |     |                  |      |               |            |                    |      |              |                             |                            |                     |      |                          |   |   |   |   |   |     |   |   |   |   |   |    |     |   |              |   |    |   |    |           |
| dsPIC33EV256GM006 | 256K                 | 16K        | 0   |              |                    |               |               |                |     |      |     |                  |      |               |            |                    |      |              |                             |                            |                     |      |                          |   |   |   |   |   |     |   |   |   |   |   |    |     |   |              |   |    |   |    |           |
| dsPIC33EV256GM106 |                      |            | 1   |              |                    |               |               |                |     |      |     |                  |      |               |            |                    |      |              |                             |                            |                     |      |                          |   |   |   |   |   |     |   |   |   |   |   |    |     |   |              |   |    |   |    |           |

# dsPIC33EVXXXGM00X/10X FAMILY

## Pin Diagrams

### 28-Pin SPDIP/SOIC/SSOP<sup>(1,2,3)</sup>



- Note 1:** The RPN/RPI pins can be used by any remappable peripheral with some limitation. See [Section 11.5 “Peripheral Pin Select \(PPS\)”](#) for available peripherals and information on limitations.
- 2:** Every I/O port pin (RAX-RGX) can be used as a Change Notification pin (CNAX-CNGX). See [Section 11.0 “I/O Ports”](#) for more information.
- 3:** If the op amp is selected when OPAEN (CMxCON<10>) = 1, the OAx input is used; otherwise, the ANx input is used.

# dsPIC33EVXXXGM00X/10X FAMILY

## Pin Diagrams (Continued)

28-Pin QFN-S<sup>(1,2,3,4)</sup>



- Note 1:** The RPN/RPIN pins can be used by any remappable peripheral with some limitation. See [Section 11.5 “Peripheral Pin Select \(PPS\)”](#) for available peripherals and information on limitations.
- 2:** Every I/O port pin (RAX-RGX) can be used as a Change Notification pin (CNAX-CNGX). See [Section 11.0 “I/O Ports”](#) for more information.
- 3:** If the op amp is selected when OPAEN (CMxCON<10>) = 1, the OAx input is used; otherwise, the ANx input is used.
- 4:** The metal pad at the bottom of the device is not connected to any pins and is recommended to be connected to Vss externally.

# dsPIC33EVXXGM00X/10X FAMILY

## Pin Diagrams (Continued)

### 44-Pin TQFP<sup>(1,2,3)</sup>



- Note 1:** The RPN/RPI pins can be used by any remappable peripheral with some limitation. See [Section 11.5 “Peripheral Pin Select \(PPS\)”](#) for available peripherals and information on limitations.
- Note 2:** Every I/O port pin (RAX-RGx) can be used as a Change Notification pin (CNAX-CNGx). See [Section 11.0 “I/O Ports”](#) for more information.
- Note 3:** If the op amp is selected when OPAEN (CMxCON<10>) = 1, the OAx input is used; otherwise, the ANx input is used.

# dsPIC33EVXXGM00X/10X FAMILY

## Pin Diagrams (Continued)

### 44-Pin QFN<sup>(1,2,3,4)</sup>



- Note 1:** The RPN/RPIN pins can be used by any remappable peripheral with some limitation. See [Section 11.5 “Peripheral Pin Select \(PPS\)”](#) for available peripherals and information on limitations.
- Note 2:** Every I/O port pin (RAX-RGX) can be used as a Change Notification pin (CNAX-CNGX). See [Section 11.0 “I/O Ports”](#) for more information.
- Note 3:** If the op amp is selected when OPAEN (CMxCON<10>) = 1, the OAx input is used; otherwise, the ANx input is used.
- Note 4:** The metal pad at the bottom of the device is not connected to any pins and is recommended to be connected to VSS externally.

# dsPIC33EVXXGM00X/10X FAMILY

## Pin Diagrams (Continued)

64-Pin TQFP<sup>(1,2,3)</sup>



- Note 1:** The RPN/RPIn pins can be used by any remappable peripheral with some limitation. See [Section 11.5 “Peripheral Pin Select \(PPS\)”](#) for available peripherals and information on limitations.
- Note 2:** Every I/O port pin (RAX-RGx) can be used as a Change Notification pin (CNAX-CNGx). See [Section 11.0 “I/O Ports”](#) for more information.
- Note 3:** If the op amp is selected when OPAEN (CMxCON<10>) = 1, the OAx input is used; otherwise, the ANx input is used.



# dsPIC33EVXXGM00X/10X FAMILY

## Pin Diagrams (Continued)

64-Pin QFN<sup>(1,2,3,4)</sup>



- Note 1:** The RPN/RPIN pins can be used by any remappable peripheral with some limitation. See [Section 11.5 “Peripheral Pin Select \(PPS\)”](#) for available peripherals and information on limitations.
- Note 2:** Every I/O port pin (RAX-RGX) can be used as a Change Notification pin (CNAX-CNGX). See [Section 11.0 “I/O Ports”](#) for more information.
- Note 3:** If the op amp is selected when OPAEN (CMxCON<10>) = 1, the OAx input is used; otherwise, the ANx input is used.
- Note 4:** The metal pad at the bottom of the device is not connected to any pins and is recommended to be connected to VSS externally.

# dsPIC33EVXXGM00X/10X FAMILY

---

---

## Table of Contents

|  |   |     |
|--|---|-----|
| 1.0  | Device Overview .....   | 13  |
| 2.0  | Guidelines for Getting Started with 16-Bit Digital Signal Controllers .....         | 17  |
| 3.0  | CPU .....   | 21  |
| 4.0  | Memory Organization .....   | 31  |
| 5.0  | Flash Program Memory .....  | 83  |
| 6.0  | Resets .....  | 91  |
| 7.0  | Interrupt Controller .....  | 95  |
| 8.0  | Direct Memory Access (DMA) .....  | 109 |
| 9.0  | Oscillator Configuration .....  | 123 |
| 10.0                                       | Power-Saving Features .....   | 133 |
| 11.0                                       | I/O Ports .....   | 143 |
| 12.0                                       | Timer1 .....  | 173 |
| 13.0                                       | Timer2/3 and Timer4/5 .....   | 175 |
| 14.0                                       | Deadman Timer (DMT) .....   | 181 |
| 15.0                                       | Input Capture .....   | 189 |
| 16.0                                       | Output Compare .....  | 193 |
| 17.0                                       | High-Speed PWM Module .....   | 199 |
| 18.0                                       | Serial Peripheral Interface (SPI) .....   | 221 |
| 19.0                                       | Inter-Integrated Circuit (I <sup>2</sup> C) .....                                   | 229 |
| 20.0                                       | Single-Edge Nibble Transmission (SENT) .....  | 237 |
| 21.0                                       | Universal Asynchronous Receiver Transmitter (UART) .....                            | 247 |
| 22.0                                       | Controller Area Network (CAN) Module (dsPIC33EVXXGM10X Devices Only) .....          | 253 |
| 23.0                                       | Charge Time Measurement Unit (CTMU) .....   | 279 |
| 24.0                                       | 10-Bit/12-Bit Analog-to-Digital Converter (ADC) .....                               | 285 |
| 25.0                                       | Op Amp/Comparator Module .....  | 301 |
| 26.0                                       | Comparator Voltage Reference .....  | 313 |
| 27.0                                       | Special Features .....  | 317 |
| 28.0                                       | Instruction Set Summary .....   | 327 |
| 29.0                                       | Development Support .....   | 337 |
| 30.0                                       | Electrical Characteristics .....  | 341 |
| 31.0                                       | High-Temperature Electrical Characteristics .....                                   | 403 |
| 32.0                                       | Characteristics for Industrial/Extended Temperature Devices (-40°C to +125°C) ..... | 413 |
| 33.0                                       | Characteristics for High-Temperature Devices (+150°C) .....                         | 439 |
| 34.0                                       | Packaging Information .....   | 461 |
| Appendix A:                                | Revision History .....  | 485 |
| Index .....                                |   | 487 |
| The Microchip Web Site .....               |   | 495 |
| Customer Change Notification Service ..... |   | 495 |
| Customer Support .....                     |   | 495 |
| Product Identification System .....        |   | 497 |

## TO OUR VALUED CUSTOMERS

It is our intention to provide our valued customers with the best documentation possible to ensure successful use of your Microchip products. To this end, we will continue to improve our publications to better suit your needs. Our publications will be refined and enhanced as new volumes and updates are introduced.

If you have any questions or comments regarding this publication, please contact the Marketing Communications Department via E-mail at [docerrors@microchip.com](mailto:docerrors@microchip.com). We welcome your feedback.

### Most Current Data Sheet

To obtain the most up-to-date version of this data sheet, please register at our Worldwide Web site at:

<http://www.microchip.com>

You can determine the version of a data sheet by examining its literature number found on the bottom outside corner of any page. The last character of the literature number is the version number, (e.g., DS30000000A is version A of document DS30000000).

### Errata

An errata sheet, describing minor operational differences from the data sheet and recommended workarounds, may exist for current devices. As device/documentation issues become known to us, we will publish an errata sheet. The errata will specify the revision of silicon and revision of document to which it applies.

To determine if an errata sheet exists for a particular device, please check with one of the following:

- Microchip's Worldwide Web site; <http://www.microchip.com>
- Your local Microchip sales office (see last page)

When contacting a sales office, please specify which device, revision of silicon and data sheet (include literature number) you are using.

### Customer Notification System

Register on our web site at [www.microchip.com](http://www.microchip.com) to receive the most current information on all of our products.

# dsPIC33EVXXGM00X/10X FAMILY

---

## Referenced Sources

This device data sheet is based on the following individual chapters of the *“dsPIC33/PIC24 Family Reference Manual”*, which are available from the Microchip web site ([www.microchip.com](http://www.microchip.com)). The following documents should be considered as the general reference for the operation of a particular module or device feature:

- **“Introduction”** (DS70573)
- **“CPU”** (DS70359)
- **“Data Memory”** (DS70595)
- **“dsPIC33E/PIC24E Program Memory”** (DS70000613)
- **“Flash Programming”** (DS70609)
- **“Interrupts”** (DS70000600)
- **“Oscillator”** (DS70580)
- **“Reset”** (DS70602)
- **“Watchdog Timer and Power-Saving Modes”** (DS70615)
- **“I/O Ports”** (DS70000598)
- **“Timers”** (DS70362)
- **“CodeGuard™ Intermediate Security”** (DS70005182)
- **“Deadman Timer (DMT)”** (DS70005155)
- **“Input Capture”** (DS70000352)
- **“Output Compare”** (DS70005157)
- **“High-Speed PWM”**(DS70645)
- **“Analog-to-Digital Converter (ADC)”** (DS70621)
- **“Universal Asynchronous Receiver Transmitter (UART)”** (DS70000582)
- **“Serial Peripheral Interface (SPI)”** (DS70005185)
- **“Inter-Integrated Circuit™ (I<sup>2</sup>C™)”** (DS70000195)
- **“Enhanced Controller Area Network (ECAN™)”**(DS70353)
- **“Direct Memory Access (DMA)”** (DS70348)
- **“Programming and Diagnostics”** (DS70608)
- **“Op Amp/Comparator”** (DS70000357)
- **“Device Configuration”** (DS70000618)
- **“Charge Time Measurement Unit (CTMU)”** (DS70661)
- **“Single-Edge Nibble Transmission (SENT) Module”** (DS70005145)

# dsPIC33EVXXGM00X/10X FAMILY

## 1.0 DEVICE OVERVIEW

**Note 1:** This data sheet summarizes the features of the dsPIC33EVXXGM00X/10X family of devices. It is not intended to be a comprehensive reference source. To complement the information in this data sheet, refer to the related section in the “dsPIC33/PIC24 Family Reference Manual”, which is available from the Microchip web site ([www.microchip.com](http://www.microchip.com)).

**2:** Some registers and associated bits described in this section may not be available on all devices. Refer to **Section 4.0 “Memory Organization”** in this data sheet for device-specific register and bit information.

This document contains device-specific information for the dsPIC33EVXXGM00X/10X family Digital Signal Controller (DSC) devices.

dsPIC33EVXXGM00X/10X family devices contain extensive Digital Signal Processor (DSP) functionality with a high-performance, 16-bit MCU architecture.

Figure 1-1 shows a general block diagram of the core and peripheral modules. Table 1-1 lists the functions of the various pins shown in the pinout diagrams.

**FIGURE 1-1: dsPIC33EVXXGM00X/10X FAMILY BLOCK DIAGRAM**



**Note 1:** This feature or peripheral is only available on dsPIC33EVXXGM10X devices.

# dsPIC33EVXXGM00X/10X FAMILY

**TABLE 1-1: PINOUT I/O DESCRIPTIONS**

| Pin Name   | Pin Type | Buffer Type | PPS | Description  |
|--|----------|-------------|-----|--|
| AN0-AN19<br>AN24-AN32<br>AN48, AN49<br>AN51-AN56 | I        | Analog      | No  | Analog input channels.   |
| CLKI   | I        | ST/<br>CMOS | No  | External clock source input. Always associated with OSC1 pin function.   |
| CLKO   | O        | —           | No  | Oscillator crystal output. Connects to crystal or resonator in Crystal Oscillator mode. Optionally functions as CLKO in RC and EC modes. Always associated with OSC2 pin function. |
| OSC1   | I        | ST/<br>CMOS | No  | Oscillator crystal input. ST buffer when configured in RC mode; CMOS otherwise.  |
| OSC2   | I/O      | —           | No  | Oscillator crystal output. Connects to crystal or resonator in Crystal Oscillator mode. Optionally functions as CLKO in RC and EC modes.   |
| REFCLKO  | O        | —           | Yes | Reference clock output.  |
| IC1-IC4  | I        | ST          | Yes | Capture Inputs 1 to 4.   |
| OCFA   | I        | ST          | Yes | Compare Fault A input (for compare channels).  |
| OC1-OC4  | O        | —           | Yes | Compare Outputs 1 to 4.  |
| INT0   | I        | ST          | No  | External Interrupt 0.  |
| INT1   | I        | ST          | Yes | External Interrupt 1.  |
| INT2   | I        | ST          | Yes | External Interrupt 2.  |
| RA0-RA4, RA7-RA12                                | I/O      | ST          | Yes | PORTA is a bidirectional I/O port.   |
| RB0-RB15   | I/O      | ST          | Yes | PORTB is a bidirectional I/O port.   |
| RC0-RC13, RC15                                   | I/O      | ST          | Yes | PORTC is a bidirectional I/O port.   |
| RD5-RD6, RD8                                     | I/O      | ST          | Yes | PORTD is a bidirectional I/O port.   |
| RE12-RE15  | I/O      | ST          | Yes | PORTE is a bidirectional I/O port.   |
| RF0-RF1  | I/O      | ST          | No  | PORTF is a bidirectional I/O port.   |
| RG6-RG9  | I/O      | ST          | Yes | PORTG is a bidirectional I/O port.   |
| T1CK   | I        | ST          | No  | Timer1 external clock input.   |
| T2CK   | I        | ST          | Yes | Timer2 external clock input.   |
| T3CK   | I        | ST          | No  | Timer3 external clock input.   |
| T4CK   | I        | ST          | No  | Timer4 external clock input.   |
| T5CK   | I        | ST          | No  | Timer5 external clock input.   |
| CTPLS  | O        | ST          | No  | CTMU pulse output.   |
| CTED1  | I        | ST          | No  | CTMU External Edge Input 1.  |
| CTED2  | I        | ST          | No  | CTMU External Edge Input 2.  |
| U1CTS  | I        | ST          | Yes | UART1 Clear-to-Send.   |
| U1RTS  | O        | —           | Yes | UART1 Ready-to-Send.   |
| U1RX   | I        | ST          | Yes | UART1 receive.   |
| U1TX   | O        | —           | Yes | UART1 transmit.  |
| U2CTS  | I        | ST          | Yes | UART2 Clear-to-Send.   |
| U2RTS  | O        | —           | Yes | UART2 Ready-to-Send.   |
| U2RX   | I        | ST          | Yes | UART2 receive.   |
| U2TX   | O        | —           | Yes | UART2 transmit.  |
| SCK1   | I/O      | ST          | No  | Synchronous serial clock input/output for SPI1.  |
| SDI1   | I        | ST          | No  | SPI1 data in.  |
| SDO1   | O        | —           | No  | SPI1 data out.   |
| SS1  | I/O      | ST          | No  | SPI1 slave synchronization or frame pulse I/O.   |

**Legend:** CMOS = CMOS compatible input or output      Analog = Analog input      P = Power  
 ST = Schmitt Trigger input with CMOS levels      O = Output      I = Input  
 PPS = Peripheral Pin Select      TTL = TTL input buffer

# dsPIC33EVXXGM00X/10X FAMILY

**TABLE 1-1: PINOUT I/O DESCRIPTIONS (CONTINUED)**

| Pin Name                                   | Pin Type | Buffer Type | PPS       | Description  |
|--|----------|-------------|-----------|--|
| SCK2                                       | I/O      | ST          | Yes       | Synchronous serial clock input/output for SPI2.                            |
| SDI2                                       | I        | ST          | Yes       | SPI2 data in.  |
| SDO2                                       | O        | —           | Yes       | SPI2 data out.   |
| SS2  | I/O      | ST          | Yes       | SPI2 slave synchronization or frame pulse I/O.                             |
| SCL1                                       | I/O      | ST          | No        | Synchronous serial clock input/output for I2C1.                            |
| SDA1                                       | I/O      | ST          | No        | Synchronous serial data input/output for I2C1.                             |
| ASCL1                                      | I/O      | ST          | No        | Alternate synchronous serial clock input/output for I2C1.                  |
| ASDA1                                      | I/O      | ST          | No        | Alternate synchronous serial data input/output for I2C1.                   |
| C1RX                                       | I        | ST          | Yes       | CAN1 bus receive pin.  |
| C1TX                                       | O        | —           | Yes       | CAN1 bus transmit pin.   |
| SENT1TX                                    | O        | —           | Yes       | SENT1 transmit pin.  |
| SENT1RX                                    | I        | —           | Yes       | SENT1 receive pin.   |
| SENT2TX                                    | O        | —           | Yes       | SENT2 transmit pin.  |
| SENT2RX                                    | I        | —           | Yes       | SENT2 receive pin.   |
| CVREF                                      | O        | Analog      | No        | Comparator Voltage Reference output.                                       |
| C1IN1+, C1IN2-,<br>C1IN1-, C1IN3-<br>C1OUT | I<br>O   | Analog<br>— | No<br>Yes | Comparator 1 inputs.<br>Comparator 1 output.                               |
| C2IN1+, C2IN2-,<br>C2IN1-, C2IN3-<br>C2OUT | I<br>O   | Analog<br>— | No<br>Yes | Comparator 2 inputs.<br>Comparator 2 output.                               |
| C3IN1+, C3IN2-,<br>C2IN1-, C3IN3-<br>C3OUT | I<br>O   | Analog<br>— | No<br>Yes | Comparator 3 inputs.<br>Comparator 3 output.                               |
| C4IN1+, C4IN2-,<br>C4IN1-, C4IN3-<br>C4OUT | I<br>O   | Analog<br>— | No<br>Yes | Comparator 4 inputs.<br>Comparator 4 output.                               |
| C5IN1+, C5IN2-,<br>C5IN1-, C5IN3-<br>C5OUT | I<br>O   | Analog<br>— | No<br>Yes | Comparator 5 inputs.<br>Comparator 5 output.                               |
| FLT1-FLT2                                  | I        | ST          | Yes       | PWM Fault Inputs 1 and 2.  |
| FLT3-FLT8                                  | I        | ST          | NO        | PWM Fault Inputs 3 to 8.   |
| FLT32                                      | I        | ST          | NO        | PWM Fault Input 32.  |
| DTCMP1-DTCMP3                              | I        | ST          | Yes       | PWM Dead-Time Compensation Inputs 1 to 3.                                  |
| PWM1L-PWM3L                                | O        | —           | No        | PWM Low Outputs 1 to 3.  |
| PWM1H-PWM3H                                | O        | —           | No        | PWM High Outputs 1 to 3.   |
| SYNC1                                      | I        | ST          | Yes       | PWM Synchronization Input 1.   |
| SYNCO1                                     | O        | —           | Yes       | PWM Synchronization Output 1.  |
| PGED1                                      | I/O      | ST          | No        | Data I/O pin for Programming/Debugging Communication Channel 1.            |
| PGEC1                                      | I        | ST          | No        | Clock input pin for Programming/Debugging Communication Channel 1.         |
| PGED2                                      | I/O      | ST          | No        | Data I/O pin for Programming/Debugging Communication Channel 2.            |
| PGEC2                                      | I        | ST          | No        | Clock input pin for Programming/Debugging Communication Channel 2.         |
| PGED3                                      | I/O      | ST          | No        | Data I/O pin for Programming/Debugging Communication Channel 3.            |
| PGEC3                                      | I        | ST          | No        | Clock input pin for Programming/Debugging Communication Channel 3.         |
| MCLR                                       | I/P      | ST          | No        | Master Clear (Reset) input. This pin is an active-low Reset to the device. |

**Legend:** CMOS = CMOS compatible input or output      Analog = Analog input      P = Power  
 ST = Schmitt Trigger input with CMOS levels      O = Output      I = Input  
 PPS = Peripheral Pin Select      TTL = TTL input buffer

# dsPIC33EVXXXGM00X/10X FAMILY

---

---

TABLE 1-1: PINOUT I/O DESCRIPTIONS (CONTINUED)

| Pin Name | Pin Type | Buffer Type | PPS | Description  |
|----------|----------|-------------|-----|--|
| AVDD     | P        | P           | No  | Positive supply for analog modules. This pin must be connected at all times. |
| AVSS     | P        | P           | No  | Ground reference for analog modules.   |
| VDD      | P        | —           | No  | Positive supply for peripheral logic and I/O pins.                           |
| VCAP     | P        | —           | No  | CPU logic filter capacitor connection.                                       |
| VSS      | P        | —           | No  | Ground reference for logic and I/O pins.                                     |

**Legend:** CMOS = CMOS compatible input or output      Analog = Analog input      P = Power  
ST = Schmitt Trigger input with CMOS levels      O = Output      I = Input  
PPS = Peripheral Pin Select      TTL = TTL input buffer



## 2.0 GUIDELINES FOR GETTING STARTED WITH 16-BIT DIGITAL SIGNAL CONTROLLERS

**Note 1:** This data sheet summarizes the features of the dsPIC33EVXXGM00X/10X family of devices. It is not intended to be a comprehensive reference source. To complement the information in this data sheet, refer to the related section in the “dsPIC33/PIC24 Family Reference Manual”, which is available from the Microchip web site ([www.microchip.com](http://www.microchip.com)).

**2:** Some registers and associated bits described in this section may not be available on all devices. Refer to **Section 4.0 “Memory Organization”** in this data sheet for device-specific register and bit information.

### 2.1 Basic Connection Requirements

Getting started with the dsPIC33EVXXGM00X/10X family of 16-bit microcontrollers (MCUs) requires attention to a minimal set of device pin connections before proceeding with development. The following is a list of pin names, which must always be connected:

- All VDD and VSS pins (see [Section 2.2 “Decoupling Capacitors”](#))
- All AVDD and AVSS pins (regardless if ADC module is not used) (see [Section 2.2 “Decoupling Capacitors”](#))
- VCAP (see [Section 2.3 “CPU Logic Filter Capacitor Connection \(VCAP\)”](#))
- MCLR pin (see [Section 2.4 “Master Clear \(MCLR\) Pin”](#))
- PGECx/PGEDx pins used for In-Circuit Serial Programming™ (ICSP™) and debugging purposes (see [Section 2.5 “ICSP Pins”](#))
- OSC1 and OSC2 pins when external oscillator source is used (see [Section 2.6 “External Oscillator Pins”](#))

**Note:** The AVDD and AVSS pins must be connected, regardless of the ADC voltage reference source.

### 2.2 Decoupling Capacitors

The use of decoupling capacitors on every pair of power supply pins, such as VDD, VSS, AVDD and AVSS, is required.

Consider the following criteria when using decoupling capacitors:

- **Value and type of capacitor:** A value of 0.1  $\mu\text{F}$  (100 nF), 10V-20V is recommended. This capacitor should be a Low Equivalent Series Resistance (low-ESR), and have resonance frequency in the range of 20 MHz and higher. It is recommended to use ceramic capacitors.
- **Placement on the Printed Circuit Board (PCB):** The decoupling capacitors should be placed as close to the pins as possible. It is recommended to place the capacitors on the same side of the board as the device. If space is constricted, the capacitor can be placed on another layer on the PCB using a via; however, ensure that the trace length from the pin to the capacitor is within one-quarter inch (6 mm) in length.
- **Handling high-frequency noise:** If the board is experiencing high-frequency noise, above tens of MHz, add a second ceramic-type capacitor in parallel to the above described decoupling capacitor. The value of the second capacitor can be in the range of 0.01  $\mu\text{F}$  to 0.001  $\mu\text{F}$ . Place this second capacitor next to the primary decoupling capacitor. In high-speed circuit designs, consider implementing a decade pair of capacitances as close to the power and ground pins as possible. For example, 0.1  $\mu\text{F}$  in parallel with 0.001  $\mu\text{F}$ .
- **Maximizing performance:** On the board layout from the power supply circuit, run the power and return traces to the decoupling capacitors first, and then to the device pins. This ensures that the decoupling capacitors are first in the power chain. Equally important is to keep the trace length between the capacitor and the power pins to a minimum, thereby reducing the PCB track inductance.

# dsPIC33EVXXXGM00X/10X FAMILY

**FIGURE 2-1: RECOMMENDED MINIMUM CONNECTION**



## 2.2.1 TANK CAPACITORS

On boards with power traces running longer than six inches in length, it is suggested to use a tank capacitor for integrated circuits including DSCs to supply a local power source. The value of the tank capacitor should be determined based on the trace resistance that connects the power supply source to the device, and the maximum current drawn by the device in the application. In other words, select the tank capacitor so that it meets the acceptable voltage sag at the device. Typical values range from 4.7 µF to 47 µF.

## 2.3 CPU Logic Filter Capacitor Connection (VCAP)

A low-ESR (<1 Ohms) capacitor is required on the VCAP pin, which is used to stabilize the internal voltage regulator output. The VCAP pin must not be connected to VDD, and must have a capacitor greater than 4.7 µF (10 µF is recommended), with at least a 16V rating connected to the ground. The type can be ceramic or tantalum. See [Section 30.0 "Electrical Characteristics"](#) for additional information.

The placement of this capacitor should be close to the VCAP pin. It is recommended that the trace length should not exceed one-quarter inch (6 mm).

## 2.4 Master Clear (MCLR) Pin

The MCLR pin provides two specific device functions:

- Device Reset
- Device Programming and Debugging

During device programming and debugging, the resistance and capacitance that can be added to the pin must be considered. Device programmers and debuggers drive the MCLR pin. Consequently, specific voltage levels (VIH and VIL) and fast signal transitions must not be adversely affected. Therefore, specific values of R and C will need to be adjusted based on the application and PCB requirements.

For example, as shown in [Figure 2-1](#), it is recommended that the capacitor, C, be isolated from the MCLR pin during programming and debugging operations.

Place the components as shown in [Figure 2-2](#) within one-quarter inch (6 mm) from the MCLR pin.

**FIGURE 2-2: EXAMPLE OF MCLR PIN CONNECTIONS**



## 2.5 ICSP Pins

The PGECx and PGEDx pins are used for ICSP and debugging purposes. It is recommended to keep the trace length between the ICSP connector and the ICSP pins on the device as short as possible. If the ICSP connector is expected to experience an ESD event, a series resistor is recommended, with the value in the range of a few tens of Ohms, not exceeding 100 Ohms.

Pull-up resistors, series diodes and capacitors on the PGECx and PGEDx pins are not recommended as they will interfere with the programmer/debugger communications to the device. If such discrete components are an application requirement, they should be removed from the circuit during programming and debugging. Alternatively, refer to the AC/DC characteristics and timing requirements information in the respective device Flash programming specification for information on capacitive loading limits and pin Voltage Input High (VIH) and Voltage Input Low (VIL) requirements.

Ensure that the “Communication Channel Select” (i.e., PGECx/PGEDx pins) programmed into the device matches the physical connections for the ICSP to MPLAB® PICKit™ 3, MPLAB ICD 3 or MPLAB REAL ICE™.

For more information on MPLAB ICD 2, ICD 3 and REAL ICE connection requirements, refer to the following documents that are available on the Microchip web site ([www.microchip.com](http://www.microchip.com)).

- “Using MPLAB® ICD 3” (poster) (DS51765)
- “MPLAB® ICD 3 Design Advisory” (DS51764)
- “MPLAB® REAL ICE™ In-Circuit Emulator User’s Guide” (DS51616)
- “Using MPLAB® REAL ICE™ In-Circuit Emulator” (poster) (DS51749)

## 2.6 External Oscillator Pins

Many DSCs have options for at least two oscillators: a high-frequency primary oscillator and a low-frequency secondary oscillator. For more information, see **Section 9.0 “Oscillator Configuration”**.

The oscillator circuit should be placed on the same side of the board as the device. Also, place the oscillator circuit close to the respective oscillator pins, not exceeding one-half inch (12 mm) distance between them. The load capacitors should be placed next to the oscillator itself, on the same side of the board. Use a grounded copper pour around the oscillator circuit to isolate them from surrounding circuits. The grounded copper pour should be routed directly to the MCU ground. Do not run any signal traces or power traces inside the ground pour. Also, if using a two-sided board, avoid any traces on the other side of the board where the crystal is placed as shown in [Figure 2-3](#).

**FIGURE 2-3: SUGGESTED PLACEMENT OF THE OSCILLATOR CIRCUIT**



## 2.7 Oscillator Value Conditions on Device Start-up

If the PLL of the target device is enabled and configured for the device start-up oscillator, the maximum oscillator source frequency must be limited to  $5 \text{ MHz} < F_{\text{IN}} < 13.6 \text{ MHz}$  to comply with device PLL start-up conditions. This intends that, if the external oscillator frequency is outside this range, the application must start up in the FRC mode first. The default PLL settings after a POR with an oscillator frequency outside this range will violate the device operating speed.

Once the device powers up, the application firmware can initialize the PLL SFRs, CLKDIV and PLLFBD, to a suitable value, and then perform a clock switch to the Oscillator + PLL clock source.

**Note:** Clock switching must be enabled in the device Configuration Word.

## 2.8 Unused I/Os

Unused I/O pins should be configured as outputs and driven to a logic low state.

Alternatively, connect a 1k to 10k resistor between Vss and unused pins, and drive the output to logic low.

# dsPIC33EVXXGM00X/10X FAMILY

---

---

NOTES:

## 3.0 CPU

**Note 1:** This data sheet summarizes the features of the dsPIC33EVXXGM00X/10X family of devices. It is not intended to be a comprehensive reference source. To complement the information in this data sheet, refer to “CPU” (DS70359) in the “dsPIC33/PIC24 Family Reference Manual”, which is available from the Microchip web site ([www.microchip.com](http://www.microchip.com)).

**2:** Some registers and associated bits described in this section may not be available on all devices. Refer to **Section 4.0 “Memory Organization”** in this data sheet for device-specific register and bit information.

The CPU has a 16-bit (data) modified Harvard architecture with an enhanced instruction set, including significant support for digital signal processing. The CPU has a 24-bit instruction word with a variable length opcode field. The Program Counter (PC) is 23 bits wide and addresses up to 4M x 24 bits of user program memory space.

An instruction prefetch mechanism helps maintain throughput and provides predictable execution. Most instructions execute in a single-cycle effective execution rate, with the exception of instructions that change the program flow, the double-word move (MOV.D) instruction, PSV accesses and the table instructions. Overhead-free program loop constructs are supported using the DO and REPEAT instructions, both of which are interruptible at any point.

### 3.1 Registers

The dsPIC33EVXXGM00X/10X family devices have sixteen, 16-bit Working registers in the programmer's model. Each of the Working registers can act as a Data, Address or Address Offset register. The sixteenth Working register (W15) operates as a Software Stack Pointer for interrupts and calls.

In addition, the dsPIC33EVXXGM00X/10X devices include two alternate Working register sets, which consist of W0 through W14. The alternate registers can be made persistent to help reduce the saving and restoring of register content during Interrupt Service Routines (ISRs). The alternate Working registers can be assigned to a specific Interrupt Priority Level (IPL1 through IPL6) by configuring the CTXTx<2:0> bits in the FALTREG Configuration register.

The alternate Working registers can also be accessed manually by using the CTXTSWP instruction.

The CCTXI<2:0> and MCTXI<2:0> bits in the CTXTSTAT register can be used to identify the current, and most recent, manually selected Working register sets.

### 3.2 Instruction Set

The device instruction set has two classes of instructions: the MCU class of instructions and the DSP class of instructions. These two instruction classes are seamlessly integrated into the architecture and execute from a single execution unit. The instruction set includes many addressing modes and was designed for optimum C compiler efficiency.

### 3.3 Data Space Addressing

The Base Data Space can be addressed as 4K words or 8 Kbytes and is split into two blocks, referred to as X and Y data memory. Each memory block has its own independent Address Generation Unit (AGU). The MCU class of instructions operates solely through the X memory AGU, which accesses the entire memory map as one linear Data Space. On dsPIC33EV devices, certain DSP instructions operate through the X and Y AGUs to support dual operand reads, which splits the data address space into two parts. The X and Y Data Space boundary is device-specific.

The upper 32 Kbytes of the Data Space (DS) memory map can optionally be mapped into Program Space (PS) at any 16K program word boundary. The Program-to-Data Space mapping feature, known as Program Space Visibility (PSV), lets any instruction access Program Space as if it were Data Space. Moreover, the Base Data Space address is used in conjunction with a Data Space Read or Write Page register (DSRPAG or DSWPAG) to form an Extended Data Space (EDS) address. The EDS can be addressed as 8M words or 16 Mbytes. For more information on EDS, PSV and table accesses, refer to “Data Memory” (DS70595) and “dsPIC33E/PIC24E Program Memory” (DS70000613) in the “dsPIC33/PIC24 Family Reference Manual”.

On dsPIC33EV devices, overhead-free circular buffers (Modulo Addressing) are supported in both X and Y address spaces. The Modulo Addressing removes the software boundary checking overhead for DSP algorithms. The X AGU Circular Addressing can be used with any of the MCU class of instructions. The X AGU also supports Bit-Reversed Addressing to greatly simplify input or output data reordering for radix-2 FFT algorithms. [Figure 3-1](#) illustrates the block diagram of the dsPIC33EVXXGM00X/10X family devices.

### 3.4 Addressing Modes

The CPU supports these addressing modes:

- Inherent (no operand)
- Relative
- Literal
- Memory Direct
- Register Direct
- Register Indirect

Each instruction is associated with a predefined addressing mode group, depending upon its functional requirements. As many as six addressing modes are supported for each instruction.

# dsPIC33EVXXGM00X/10X FAMILY

FIGURE 3-1: dsPIC33EVXXGM00X/10X FAMILY CPU BLOCK DIAGRAM



# dsPIC33EVXXGM00X/10X FAMILY

## 3.5 Programmer's Model

The programmer's model for the dsPIC33EVXXGM00X/10X family is shown in [Figure 3-2](#). All registers in the programmer's model are memory-mapped and can be manipulated directly by instructions. [Table 3-1](#) lists a description of each register.

In addition to the registers contained in the programmer's model, the dsPIC33EVXXGM00X/10X family devices contain control registers for Modulo Addressing and Bit-Reversed Addressing, and interrupts. These registers are described in subsequent sections of this document.

All registers associated with the programmer's model are memory-mapped, as shown in [Table 4-1](#).

**TABLE 3-1: PROGRAMMER'S MODEL REGISTER DESCRIPTIONS**

| Register(s) Name                                  | Description   |
|---|---|
| W0 through W15 <sup>(1)</sup>                     | Working Register Array                                    |
| W0 through W14 <sup>(1)</sup>                     | Alternate Working Register Array 1                        |
| W0 through W14 <sup>(1)</sup>                     | Alternate Working Register Array 2                        |
| ACCA, ACCB  | 40-Bit DSP Accumulators                                   |
| PC  | 23-Bit Program Counter                                    |
| SR  | ALU and DSP Engine STATUS Register                        |
| SPLIM   | Stack Pointer Limit Value Register                        |
| TBLPAG  | Table Memory Page Address Register                        |
| DSRPAG  | Extended Data Space (EDS) Read Page Register              |
| RCOUNT  | REPEAT Loop Counter Register                              |
| DCOUNT  | DO Loop Count Register                                    |
| DOSTARTH <sup>(2)</sup> , DOSTARTL <sup>(2)</sup> | DO Loop Start Address Register (High and Low)             |
| DOENDH, DOENDL                                    | DO Loop End Address Register (High and Low)               |
| CORCON  | Contains DSP Engine, DO Loop Control and Trap Status bits |

**Note 1:** Memory-mapped W0 through W14 represents the value of the register in the currently active CPU context.

**2:** The DOSTARTH and DOSTARTL registers are read-only.

# dsPIC33EVXXGM00X/10X FAMILY

FIGURE 3-2: PROGRAMMER'S MODEL





# dsPIC33EVXXGM00X/10X FAMILY

## 3.6 CPU Control Registers

### REGISTER 3-1: SR: CPU STATUS REGISTER

|        |       |                   |                   |       |       |       |       |
|--------|-------|-------------------|-------------------|-------|-------|-------|-------|
| R/W-0  | R/W-0 | R/W-0             | R/W-0             | R/C-0 | R/C-0 | R-0   | R/W-0 |
| OA     | OB    | SA <sup>(3)</sup> | SB <sup>(3)</sup> | OAB   | SAB   | DA    | DC    |
| bit 15 |       |                   |                   |       |       | bit 8 |       |

|                       |                       |                       |     |       |       |       |       |
|-----------------------|-----------------------|-----------------------|-----|-------|-------|-------|-------|
| R/W-0                 | R/W-0                 | R/W-0                 | R-0 | R/W-0 | R/W-0 | R/W-0 | R/W-0 |
| IPL2 <sup>(1,2)</sup> | IPL1 <sup>(1,2)</sup> | IPL0 <sup>(1,2)</sup> | RA  | N     | OV    | Z     | C     |
| bit 7                 |                       |                       |     |       |       | bit 0 |       |

|                   |                   |                                    |
|-------------------|-------------------|------------------------------------|
| <b>Legend:</b>    | C = Clearable bit | U = Unimplemented bit, read as '0' |
| R = Readable bit  | W = Writable bit  | '0' = Bit is cleared               |
| -n = Value at POR | '1' = Bit is set  | x = Bit is unknown                 |

- bit 15      **OA:** Accumulator A Overflow Status bit  
 1 = Accumulator A has overflowed  
 0 = Accumulator A has not overflowed
- bit 14      **OB:** Accumulator B Overflow Status bit  
 1 = Accumulator B has overflowed  
 0 = Accumulator B has not overflowed
- bit 13      **SA:** Accumulator A Saturation 'Sticky' Status bit<sup>(3)</sup>  
 1 = Accumulator A is saturated or has been saturated at some time  
 0 = Accumulator A is not saturated
- bit 12      **SB:** Accumulator B Saturation 'Sticky' Status bit<sup>(3)</sup>  
 1 = Accumulator B is saturated or has been saturated at some time  
 0 = Accumulator B is not saturated
- bit 11      **OAB:** OA || OB Combined Accumulator Overflow Status bit  
 1 = Accumulator A or B has overflowed  
 0 = Accumulator A and B have not overflowed
- bit 10      **SAB:** SA || SB Combined Accumulator 'Sticky' Status bit  
 1 = Accumulator A or B is saturated or has been saturated at some time  
 0 = Accumulator A and B have not been saturated
- bit 9        **DA:** DO Loop Active bit  
 1 = DO loop is in progress  
 0 = DO loop is not in progress
- bit 8        **DC:** MCU ALU Half Carry/Borrow bit  
 1 = A carry-out from the 4<sup>th</sup> low-order bit (for byte-sized data) or 8<sup>th</sup> low-order bit (for word-sized data) of the result occurred  
 0 = No carry-out from the 4<sup>th</sup> low-order bit (for byte-sized data) or 8<sup>th</sup> low-order bit (for word-sized data) of the result occurred

- Note 1:** The IPL<2:0> bits are concatenated with the IPL3 bit (CORCON<3>) to form the CPU Interrupt Priority Level. The value in parentheses indicates the IPL if IPL3 = 1. User interrupts are disabled when IPL3 = 1.
- 2:** The IPL<2:0> Status bits are read-only when the NSTDIS bit (INTCON1<15>) = 1.
- 3:** A data write to the SR register can modify the SA and SB bits by either a data write to SA and SB or by clearing the SAB bit. To avoid a possible SA or SB bit write race condition, the SA and SB bits should not be modified using the bit operations.

# dsPIC33EVXXGM00X/10X FAMILY

---

---

## REGISTER 3-1: SR: CPU STATUS REGISTER (CONTINUED)

- bit 7-5      **IPL<2:0>**: CPU Interrupt Priority Level Status bits<sup>(1,2)</sup>
- 111 = CPU Interrupt Priority Level is 7 (15); user interrupts are disabled
  - 110 = CPU Interrupt Priority Level is 6 (14)
  - 101 = CPU Interrupt Priority Level is 5 (13)
  - 100 = CPU Interrupt Priority Level is 4 (12)
  - 011 = CPU Interrupt Priority Level is 3 (11)
  - 010 = CPU Interrupt Priority Level is 2 (10)
  - 001 = CPU Interrupt Priority Level is 1 (9)
  - 000 = CPU Interrupt Priority Level is 0 (8)
- bit 4      **RA**: REPEAT Loop Active bit
- 1 = REPEAT loop is in progress
  - 0 = REPEAT loop is not in progress
- bit 3      **N**: MCU ALU Negative bit
- 1 = Result was negative
  - 0 = Result was non-negative (zero or positive)
- bit 2      **OV**: MCU ALU Overflow bit
- This bit is used for signed arithmetic (2's complement). It indicates an overflow of the magnitude that causes the sign bit to change state.
- 1 = Overflow occurred for signed arithmetic (in this arithmetic operation)
  - 0 = Overflow has not occurred for signed arithmetic
- bit 1      **Z**: MCU ALU Zero bit
- 1 = An operation that affects the Z bit has set it at some time in the past
  - 0 = The most recent operation that affects the Z bit has cleared it (i.e., a non-zero result)
- bit 0      **C**: MCU ALU Carry/Borrow bit
- 1 = A carry-out from the Most Significant bit (MSb) of the result occurred
  - 0 = No carry-out from the Most Significant bit of the result occurred

- Note 1:** The IPL<2:0> bits are concatenated with the IPL3 bit (CORCON<3>) to form the CPU Interrupt Priority Level. The value in parentheses indicates the IPL if IPL3 = 1. User interrupts are disabled when IPL3 = 1.
- 2:** The IPL<2:0> Status bits are read-only when the NSTDIS bit (INTCON1<15>) = 1.
- 3:** A data write to the SR register can modify the SA and SB bits by either a data write to SA and SB or by clearing the SAB bit. To avoid a possible SA or SB bit write race condition, the SA and SB bits should not be modified using the bit operations.

# dsPIC33EVXXGM00X/10X FAMILY

## REGISTER 3-2: CORCON: CORE CONTROL REGISTER

|        |     |       |       |                    |     |     |       |
|--------|-----|-------|-------|--------------------|-----|-----|-------|
| R/W-0  | U-0 | R/W-0 | R/W-0 | R/W-0              | R-0 | R-0 | R-0   |
| VAR    | —   | US1   | US0   | EDT <sup>(1)</sup> | DL2 | DL1 | DL0   |
| bit 15 |     |       |       |                    |     |     | bit 8 |

|       |       |       |        |                     |     |       |       |
|-------|-------|-------|--------|---------------------|-----|-------|-------|
| R/W-0 | R/W-0 | R/W-1 | R/W-0  | R/C-0               | R-0 | R/W-0 | R/W-0 |
| SATA  | SATB  | SATDW | ACCSAT | IPL3 <sup>(2)</sup> | SFA | RND   | IF    |
| bit 7 |       |       |        |                     |     |       | bit 0 |

|                   |                                    |
|-------------------|------------------------------------|
| <b>Legend:</b>    | C = Clearable bit                  |
| R = Readable bit  | W = Writable bit                   |
| -n = Value at POR | '1' = Bit is set                   |
|                   | U = Unimplemented bit, read as '0' |
|                   | '0' = Bit is cleared               |
|                   | x = Bit is unknown                 |

- bit 15      **VAR:** Variable Exception Processing Latency Control bit  
 1 = Variable exception processing latency is enabled  
 0 = Fixed exception processing latency is enabled
- bit 14      **Unimplemented:** Read as '0'
- bit 13-12   **US<1:0>:** DSP Multiply Unsigned/Signed Control bits  
 11 = Reserved  
 10 = DSP engine multiplies are mixed-sign  
 01 = DSP engine multiplies are unsigned  
 00 = DSP engine multiplies are signed
- bit 11      **EDT:** Early DO Loop Termination Control bit<sup>(1)</sup>  
 1 = Terminates executing the DO loop at the end of the current loop iteration  
 0 = No effect
- bit 10-8    **DL<2:0>:** DO Loop Nesting Level Status bits  
 111 = 7 DO loops are active  
 •  
 •  
 •  
 001 = 1 DO loop is active  
 000 = 0 DO loops are active
- bit 7        **SATA:** ACCA Saturation Enable bit  
 1 = Accumulator A saturation is enabled  
 0 = Accumulator A saturation is disabled
- bit 6        **SATB:** ACCB Saturation Enable bit  
 1 = Accumulator B saturation is enabled  
 0 = Accumulator B saturation is disabled
- bit 5        **SATDW:** Data Space Write from DSP Engine Saturation Enable bit  
 1 = Data Space write saturation is enabled  
 0 = Data Space write saturation is disabled
- bit 4        **ACCSAT:** Accumulator Saturation Mode Select bit  
 1 = 9.31 saturation (super saturation)  
 0 = 1.31 saturation (normal saturation)

- Note 1:** This bit is always read as '0'.
- Note 2:** The IPL3 bit is concatenated with the IPL<2:0> bits (SR<7:5>) to form the CPU Interrupt Priority Level.

# dsPIC33EVXXGM00X/10X FAMILY

---

---

## REGISTER 3-2: CORCON: CORE CONTROL REGISTER (CONTINUED)

- bit 3      **IPL3:** CPU Interrupt Priority Level Status bit 3<sup>(2)</sup>  
1 = CPU Interrupt Priority Level is greater than 7  
0 = CPU Interrupt Priority Level is 7 or less
- bit 2      **SFA:** Stack Frame Active Status bit  
1 = Stack frame is active; W14 and W15 address 0x0000 to 0xFFFF, regardless of DSRPAG and DSWPAG values  
0 = Stack frame is not active; W14 and W15 address of EDS or Base Data Space
- bit 1      **RND:** Rounding Mode Select bit  
1 = Biased (conventional) rounding is enabled  
0 = Unbiased (convergent) rounding is enabled
- bit 0      **IF:** Integer or Fractional Multiplier Mode Select bit  
1 = Integer mode is enabled for DSP multiply  
0 = Fractional mode is enabled for DSP multiply

- Note 1:** This bit is always read as '0'.  
**2:** The IPL3 bit is concatenated with the IPL<2:0> bits (SR<7:5>) to form the CPU Interrupt Priority Level.

# dsPIC33EVXXGM00X/10X FAMILY

## REGISTER 3-3: CTXTSTAT: CPU W REGISTER CONTEXT STATUS REGISTER

|        |     |     |     |     |        |        |        |
|--------|-----|-----|-----|-----|--------|--------|--------|
| U-0    | U-0 | U-0 | U-0 | U-0 | R-0    | R-0    | R-0    |
| —      | —   | —   | —   | —   | CCTXI2 | CCTXI1 | CCTXI0 |
| bit 15 |     |     |     |     | bit 8  |        |        |

|       |     |     |     |     |        |        |        |
|-------|-----|-----|-----|-----|--------|--------|--------|
| U-0   | U-0 | U-0 | U-0 | U-0 | R-0    | R/W-0  | R/W-0  |
| —     | —   | —   | —   | —   | MCTXI2 | MCTXI1 | MCTXI0 |
| bit 7 |     |     |     |     | bit 0  |        |        |

### Legend:

|                   |                  |                                    |
|-------------------|------------------|------------------------------------|
| R = Readable bit  | W = Writable bit | U = Unimplemented bit, read as '0' |
| -n = Value at POR | '1' = Bit is set | '0' = Bit is cleared               |
|                   |                  | x = Bit is unknown                 |

bit 15-11      **Unimplemented:** Read as '0'

bit 10-8      **CCTXI<2:0>:** Current (W Register) Context Identifier bits

111 = Reserved

•  
•  
•

011 = Reserved

010 = Alternate Working Register Set 2 is currently in use

001 = Alternate Working Register Set 1 is currently in use

000 = Default register set is currently in use

bit 7-3      **Unimplemented:** Read as '0'

bit 2-0      **MCTXI<2:0>:** Manual (W Register) Context Identifier bits

111 = Reserved

•  
•  
•

011 = Reserved

010 = Alternate Working Register Set 2 was most recently manually selected

001 = Alternate Working Register Set 1 was most recently manually selected

000 = Default register set was most recently manually selected

# dsPIC33EVXXGM00X/10X FAMILY

## 3.7 Arithmetic Logic Unit (ALU)

The dsPIC33EVXXGM00X/10X family ALU is 16 bits wide and is capable of addition, subtraction, bit shifts and logic operations. Unless otherwise mentioned, arithmetic operations are two's complement in nature. Depending on the operation, the ALU can affect the values of the Carry (C), Zero (Z), Negative (N), Overflow (OV) and Digit Carry (DC) Status bits in the SR register. The C and DC Status bits operate as Borrow and Digit Borrow bits, respectively, for subtraction operations.

The ALU can perform 8-bit or 16-bit operations, depending on the mode of the instruction that is used. The data for the ALU operation can come from the W register array or from the data memory, depending on the addressing mode of the instruction. Similarly, the output data from the ALU can be written to the W register array or a data memory location.

For information on the SR bits affected by each instruction, refer to the “16-bit MCU and DSC Programmer’s Reference Manual” (DS70157).

The core CPU incorporates hardware support for both multiplication and division. This includes a dedicated hardware multiplier and support hardware for 16-bit divisor division.

### 3.7.1 MULTIPLIER

Using the high-speed, 17-bit x 17-bit multiplier, the ALU supports unsigned, signed or mixed-sign operation in several MCU multiplication modes:

- 16-bit x 16-bit signed
- 16-bit x 16-bit unsigned
- 16-bit signed x 5-bit (literal) unsigned
- 16-bit signed x 16-bit unsigned
- 16-bit unsigned x 5-bit (literal) unsigned
- 16-bit unsigned x 16-bit signed
- 8-bit unsigned x 8-bit unsigned

### 3.7.2 DIVIDER

The divide block supports 32-bit/16-bit and 16-bit/16-bit signed and unsigned integer divide operations with the following data sizes:

- 32-bit signed/16-bit signed divide
- 32-bit unsigned/16-bit unsigned divide
- 16-bit signed/16-bit signed divide
- 16-bit unsigned/16-bit unsigned divide

The quotient for all divide instructions ends up in W0 and the remainder in W1. The 16-bit signed and unsigned DIV instructions can specify any W register for both the 16-bit divisor (Wn) and any W register (aligned) pair (W(m + 1):Wm) for the 32-bit dividend. The divide algorithm takes the single-cycle per bit of the divisor, so both 32-bit/16-bit and 16-bit/16-bit instructions take the same number of cycles to execute.

## 3.8 DSP Engine

The DSP engine consists of a high-speed, 17-bit x 17-bit multiplier, a 40-bit barrel shifter and a 40-bit adder/subtractor (with two target accumulators, round and saturation logic).

The DSP engine can also perform inherent accumulator-to-accumulator operations that require no additional data. These instructions are ADD, SUB and NEG.

The DSP engine has options selected through bits in the CPU Core Control register (CORCON) as follows:

- Fractional or Integer DSP Multiply (IF)
- Signed, Unsigned or Mixed-Sign DSP Multiply (US)
- Conventional or Convergent Rounding (RND)
- Automatic Saturation On/Off for ACCA (SATA)
- Automatic Saturation On/Off for ACCB (SATB)
- Automatic Saturation On/Off for Writes to Data Memory (SATDW)
- Accumulator Saturation mode Selection (ACCSAT)

**TABLE 3-2: DSP INSTRUCTIONS SUMMARY**

| Instruction | Algebraic Operation   | ACC Write Back |
|-------------|-----------------------|----------------|
| CLR         | $A = 0$               | Yes            |
| ED          | $A = (x - y)^2$       | No             |
| EDAC        | $A = A + (x - y)^2$   | No             |
| MAC         | $A = A + (x \cdot y)$ | Yes            |
| MAC         | $A = A + x^2$         | No             |
| MOVSAC      | No change in A        | Yes            |
| MPY         | $A = x \cdot y$       | No             |
| MPY         | $A = x^2$             | No             |
| MPY.N       | $A = -x \cdot y$      | No             |
| MSC         | $A = A - x \cdot y$   | Yes            |

# dsPIC33EVXXGM00X/10X FAMILY

## 4.0 MEMORY ORGANIZATION

**Note:** This data sheet summarizes the features of the dsPIC33EVXXGM00X/10X family of devices. It is not intended to be a comprehensive reference source. To complement the information in this data sheet, refer to “dsPIC33E/PIC24E Program Memory” (DS70000613) in the “dsPIC33/PIC24 Family Reference Manual”, which is available from the Microchip web site ([www.microchip.com](http://www.microchip.com)).

The dsPIC33EVXXGM00X/10X family architecture features separate program and data memory spaces and buses. This architecture also allows the direct access of program memory from the Data Space (DS) during code execution.

## 4.1 Program Address Space

The program address memory space of the dsPIC33EVXXGM00X/10X family devices is 4M instructions. The space is addressable by a 24-bit value derived either from the 23-bit PC, during program execution or from table operation, or from DS remapping, as described in [Section 4.7 “Interfacing Program and Data Memory Spaces”](#).

User application access to the program memory space is restricted to the lower half of the address range (0x000000 to 0x02ABFF). The exception is the use of the TBLRD operations, which use TBLPAG<7> to read Device ID sections of the configuration memory space and the TBLWT operations, which are used to set up the write latches located in configuration memory space.

The program memory maps, which are presented by the device family and memory size, are shown in [Figure 4-1](#) through [Figure 4-4](#).

**FIGURE 4-1: PROGRAM MEMORY MAP FOR dsPIC33EV32GM00X/10X DEVICES<sup>(1)</sup>**



# dsPIC33EVXXGM00X/10X FAMILY

FIGURE 4-2: PROGRAM MEMORY MAP FOR dsPIC33EV64GM00X/10X DEVICES<sup>(1)</sup>



**Note 1:** Memory areas are not shown to scale.



# dsPIC33EVXXGM00X/10X FAMILY

**FIGURE 4-3: PROGRAM MEMORY MAP FOR dsPIC33EV128GM00X/10X DEVICES<sup>(1)</sup>**



# dsPIC33EVXXXGM00X/10X FAMILY

FIGURE 4-4: PROGRAM MEMORY MAP FOR dsPIC33EV256GM00X/10X DEVICES<sup>(1)</sup>



# dsPIC33EVXXGM00X/10X FAMILY

## 4.1.1 PROGRAM MEMORY ORGANIZATION

The program memory space is organized in word-addressable blocks. Although it is treated as 24 bits wide, it is more appropriate to think of each address of the program memory as a lower and upper word, with the upper byte of the upper word being unimplemented. The lower word always has an even address, while the upper word has an odd address (see Figure 4-5).

Program memory addresses are always word-aligned on the lower word and addresses are incremented or decremented by two during the code execution. This arrangement provides compatibility with the Data Memory Space Addressing and makes data in the program memory space accessible.

## 4.1.2 INTERRUPT AND TRAP VECTORS

All dsPIC33EVXXGM00X/10X family devices reserve the addresses between 0x000000 and 0x000200 for hard-coded program execution vectors. A hardware Reset vector is provided to redirect code execution from the default value of the PC on device Reset to the actual start of code. A GOTO instruction is programmed by the user application at address, 0x000000 of Flash memory, with the actual address for the start of code at address, 0x000002 of Flash memory.

For more information on the Interrupt Vector Tables, see Section 7.1 “Interrupt Vector Table”.

**FIGURE 4-5: PROGRAM MEMORY ORGANIZATION**



# dsPIC33EVXXGM00X/10X FAMILY

## 4.2 Data Address Space

The dsPIC33EVXXGM00X/10X family CPU has a separate, 16-bit wide data memory space. The Data Space (DS) is accessed using separate Address Generation Units (AGUs) for read and write operations. The data memory maps, which are presented by device family and memory size, are shown in Figure 4-6 and Figure 4-8.

All Effective Addresses (EAs) in the data memory space are 16 bits wide and point to bytes within the DS. This arrangement gives a Base Data Space address range of 64 Kbytes or 32K words.

The Base Data Space address is used in conjunction with a Data Space Read or Write Page register (DSRPAG or DSWPAG) to form an Extended Data Space (EDS), which has a total address range of 16 Mbytes.

dsPIC33EVXXGM00X/10X family devices implement up to 20 Kbytes of data memory (4 Kbytes of data memory for Special Function Registers and up to 16 Kbytes of data memory for RAM). If an EA points to a location outside of this area, an all zero word or byte is returned.

### 4.2.1 DATA SPACE WIDTH

The data memory space is organized in byte-addressable, 16-bit wide blocks. Data is aligned in data memory and registers as 16-bit words, but all DS EAs resolve to bytes. The Least Significant Bytes (LSBs) of each word have even addresses, while the Most Significant Bytes (MSBs) have odd addresses.

### 4.2.2 DATA MEMORY ORGANIZATION AND ALIGNMENT

To maintain backward compatibility with PIC® MCU devices and improve Data Space memory usage efficiency, the dsPIC33EVXXGM00X/10X family instruction set supports both word and byte operations. As a consequence of byte accessibility, all the Effective Address calculations are internally scaled to step through word-aligned memory. For example, the core recognizes that Post-Modified Register Indirect Addressing mode [Ws++] results in a value of Ws + 1 for byte operations and Ws + 2 for word operations.

A data byte read, reads the complete word that contains the byte, using the LSb of any EA to determine which byte to select. The selected byte is placed onto the LSB of the data path. That is, data memory and registers are organized as two parallel, byte-wide entities with shared (word) address decode, but separate write lines. Data byte writes only write to the corresponding side of the array or register that matches the byte address.

All word accesses must be aligned to an even address. Misaligned word data fetches are not supported, therefore, care must be taken when mixing byte and word operations or translating from 8-bit MCU code. If a misaligned read or write is attempted, an address error trap is generated. If the error occurred on a read, the instruction underway is completed. If the error occurred on a write, the instruction is executed but the write does not occur. In either case, a trap is then executed, allowing the system and/or user application to examine the machine state prior to execution of the address Fault.

All byte loads into any W register are loaded into the LSB; the MSB is not modified.

A Sign-Extend (SE) instruction is provided to allow user applications to translate 8-bit signed data to 16-bit signed values. Alternatively, for 16-bit unsigned data, user applications can clear the MSB of any W register by executing a Zero-Extend (ZE) instruction on the appropriate address.

### 4.2.3 SFR SPACE

The first 4 Kbytes of the Near Data Space, from 0x0000 to 0x0FFF, is primarily occupied by Special Function Registers (SFRs). These are used by the dsPIC33EVXXGM00X/10X family core and peripheral modules for controlling the operation of the device.

SFRs are distributed among the modules that they control and are generally grouped together by module. Much of the SFR space contains unused addresses; these are read as '0'.

|   |
|---|
| <b>Note:</b> The actual set of peripheral features and interrupts varies by the device. Refer to the corresponding device tables and pinout diagrams for device-specific information. |
|---|

### 4.2.4 NEAR DATA SPACE

The 8-Kbyte area, between 0x0000 and 0x1FFF, is referred to as the Near Data Space. Locations in this space are directly addressable through a 13-bit absolute address field within all memory direct instructions. Additionally, the whole DS is addressable using MOV instructions, which support Memory Direct Addressing mode with a 16-bit address field, or by using Indirect Addressing mode using a Working register as an Address Pointer.

# dsPIC33EVXXGM00X/10X FAMILY

**FIGURE 4-6: DATA MEMORY MAP FOR 32-Kbyte DEVICES<sup>(1)</sup>**



# dsPIC33EVXXGM00X/10X FAMILY

**FIGURE 4-7: DATA MEMORY MAP FOR 64-Kbyte/128-Kbyte DEVICES<sup>(1)</sup>**



# dsPIC33EVXXGM00X/10X FAMILY

**FIGURE 4-8: DATA MEMORY MAP FOR 256-Kbyte DEVICES<sup>(1)</sup>**



# dsPIC33EVXXXGM00X/10X FAMILY

---

## 4.2.5 X AND Y DATA SPACES

The dsPIC33EVXXXGM00X/10X family core has two Data Spaces: X and Y. These Data Spaces can be considered either separate (for some DSP instructions) or as one unified, linear address range (for MCU instructions). The Data Spaces are accessed using two Address Generation Units (AGUs) and separate data paths. This feature allows certain instructions to concurrently fetch two words from RAM, thereby enabling efficient execution of DSP algorithms, such as Finite Impulse Response (FIR) filtering and Fast Fourier Transform (FFT).

The X DS is used by all instructions and supports all addressing modes. The X DS has separate read and write data buses. The X read data bus is the read data path for all instructions that view the DS as combined X and Y address space. It is also the X data prefetch path for the dual operand DSP instructions (MAC class).

The Y DS is used in concert with the X DS by the MAC class of instructions (CLR, ED, EDAC, MAC, MOVSAC, MPY, MPY.N and MSC) to provide two concurrent data read paths.

Both the X and Y Data Spaces support Modulo Addressing mode for all instructions, subject to addressing mode restrictions. Bit-Reversed Addressing mode is only supported for writes to the X Data Space.

All data memory writes, including in DSP instructions, view Data Space as combined X and Y address space. The boundary between the X and Y Data Spaces is device-dependent and is not user-programmable.



### 4.3 Special Function Register Maps

**TABLE 4-1: CPU CORE REGISTER MAP**

| SFR Name | Addr. | Bit 15                            | Bit 14 | Bit 13 | Bit 12 | Bit 11 | Bit 10 | Bit 9                          | Bit 8 | Bit 7 | Bit 6                              | Bit 5 | Bit 4 | Bit 3 | Bit 2 | Bit 1 | Bit 0 | All Resets |      |
|----------|-------|-----------------------------------|--------|--------|--------|--------|--------|--------------------------------|-------|-------|------------------------------------|-------|-------|-------|-------|-------|-------|------------|------|
| W0       | 0000  | W0 (WREG)                         |        |        |        |        |        |                                |       |       |                                    |       |       |       |       |       |       | 0000       |      |
| W1       | 0002  | W1                                |        |        |        |        |        |                                |       |       |                                    |       |       |       |       |       |       | 0000       |      |
| W2       | 0004  | W2                                |        |        |        |        |        |                                |       |       |                                    |       |       |       |       |       |       | 0000       |      |
| W3       | 0006  | W3                                |        |        |        |        |        |                                |       |       |                                    |       |       |       |       |       |       | 0000       |      |
| W4       | 0008  | W4                                |        |        |        |        |        |                                |       |       |                                    |       |       |       |       |       |       | 0000       |      |
| W5       | 000A  | W5                                |        |        |        |        |        |                                |       |       |                                    |       |       |       |       |       |       | 0000       |      |
| W6       | 000C  | W6                                |        |        |        |        |        |                                |       |       |                                    |       |       |       |       |       |       | 0000       |      |
| W7       | 000E  | W7                                |        |        |        |        |        |                                |       |       |                                    |       |       |       |       |       |       | 0000       |      |
| W8       | 0010  | W8                                |        |        |        |        |        |                                |       |       |                                    |       |       |       |       |       |       | 0000       |      |
| W9       | 0012  | W9                                |        |        |        |        |        |                                |       |       |                                    |       |       |       |       |       |       | 0000       |      |
| W10      | 0014  | W10                               |        |        |        |        |        |                                |       |       |                                    |       |       |       |       |       |       | 0000       |      |
| W11      | 0016  | W11                               |        |        |        |        |        |                                |       |       |                                    |       |       |       |       |       |       | 0000       |      |
| W12      | 0018  | W12                               |        |        |        |        |        |                                |       |       |                                    |       |       |       |       |       |       | 0000       |      |
| W13      | 001A  | W13                               |        |        |        |        |        |                                |       |       |                                    |       |       |       |       |       |       | 0000       |      |
| W14      | 001C  | W14                               |        |        |        |        |        |                                |       |       |                                    |       |       |       |       |       |       | 0000       |      |
| W15      | 001E  | W15                               |        |        |        |        |        |                                |       |       |                                    |       |       |       |       |       |       | 0800       |      |
| SPLIM    | 0020  | SPLIM                             |        |        |        |        |        |                                |       |       |                                    |       |       |       |       |       |       | xxxx       |      |
| ACCAL    | 0022  | ACCAL                             |        |        |        |        |        |                                |       |       |                                    |       |       |       |       |       |       | xxxx       |      |
| ACCAH    | 0024  | ACCAH                             |        |        |        |        |        |                                |       |       |                                    |       |       |       |       |       |       | xxxx       |      |
| ACCAU    | 0026  | Sign Extension of ACCA<39>        |        |        |        |        |        |                                |       | ACCAU |                                    |       |       |       |       |       |       | xxxx       |      |
| ACCBL    | 0028  | ACCBL                             |        |        |        |        |        |                                |       |       |                                    |       |       |       |       |       |       | xxxx       |      |
| ACCBH    | 002A  | ACCBH                             |        |        |        |        |        |                                |       |       |                                    |       |       |       |       |       |       | xxxx       |      |
| ACCBU    | 002C  | Sign Extension of ACCB<39>        |        |        |        |        |        |                                |       | ACCBU |                                    |       |       |       |       |       |       | xxxx       |      |
| PCL      | 002E  | Program Counter Low Word Register |        |        |        |        |        |                                |       |       |                                    |       |       |       |       |       |       | —          | 0000 |
| PCH      | 0030  | —                                 | —      | —      | —      | —      | —      | —                              | —     | —     | Program Counter High Word Register |       |       |       |       |       |       | 0000       |      |
| DSRPAG   | 0032  | —                                 | —      | —      | —      | —      | —      | Data Space Read Page Register  |       |       |                                    |       |       |       |       | 0001  |       |            |      |
| DSWPAG   | 0034  | —                                 | —      | —      | —      | —      | —      | Data Space Write Page Register |       |       |                                    |       |       |       |       | 0001  |       |            |      |
| RCOUNT   | 0036  | REPEAT Loop Counter Register      |        |        |        |        |        |                                |       |       |                                    |       |       |       |       |       |       | 0          | xxxx |
| DCOUNT   | 0038  | DCOUNT<15:1>                      |        |        |        |        |        |                                |       |       |                                    |       |       |       |       |       |       | 0          | xxxx |
| DOSTARTL | 003A  | DOSTARTL<15:1>                    |        |        |        |        |        |                                |       |       |                                    |       |       |       |       |       |       | 0          | xxxx |
| DOSTARTH | 003C  | —                                 | —      | —      | —      | —      | —      | —                              | —     | —     | DOSTARTH<5:0>                      |       |       |       |       |       |       | 00xx       |      |
| DOENDL   | 003E  | DOENDL<15:1>                      |        |        |        |        |        |                                |       |       |                                    |       |       |       |       |       |       | —          | xxxx |

**Legend:** x = unknown value on Reset; — = unimplemented, read as '0'. Reset values are shown in hexadecimal.

**TABLE 4-1: CPU CORE REGISTER MAP (CONTINUED)**

| SFR Name | Addr. | Bit 15        | Bit 14  | Bit 13        | Bit 12  | Bit 11  | Bit 10  | Bit 9  | Bit 8  | Bit 7       | Bit 6  | Bit 5       | Bit 4  | Bit 3  | Bit 2  | Bit 1  | Bit 0  | All Resets |
|----------|-------|---------------|---------|---------------|---------|---------|---------|--------|--------|-------------|--------|-------------|--------|--------|--------|--------|--------|------------|
| DOENDH   | 0040  | —             | —       | —             | —       | —       | —       | —      | —      | —           | —      | DOENDH<5:0> |        |        |        |        |        | 00xx       |
| SR       | 0042  | OA            | OB      | SA            | SB      | OAB     | SAB     | DA     | DC     | IPL2        | IPL1   | IPL0        | RA     | N      | OV     | Z      | C      | 0000       |
| CORCON   | 0044  | VAR           | —       | US1           | US0     | EDT     | DL2     | DL1    | DL0    | SATA        | SATB   | SATDW       | ACCSAT | IPL3   | SFA    | RND    | IF     | 0020       |
| MODCON   | 0046  | XMODEN        | YMODEN  | —             | —       | BWM3    | BWM2    | BWM1   | BWM0   | YWM3        | YWM2   | YWM1        | YWM0   | XWM3   | XWM2   | XWM1   | XWM0   | 0000       |
| XMODSRT  | 0048  | XMODSRT<15:1> |         |               |         |         |         |        |        |             |        |             |        |        |        |        | 0      | xxxx       |
| XMODEND  | 004A  | XMODEND<15:1> |         |               |         |         |         |        |        |             |        |             |        |        |        |        | 1      | xxxx       |
| YMODSRT  | 004C  | YMODSRT<15:1> |         |               |         |         |         |        |        |             |        |             |        |        |        |        | 0      | xxxx       |
| YMODEND  | 004E  | YMODEND<15:1> |         |               |         |         |         |        |        |             |        |             |        |        |        |        | 1      | xxxx       |
| XBREV    | 0050  | BREN          | XBREV14 | XBREV13       | XBREV12 | XBREV11 | XBREV10 | XBREV9 | XBREV8 | XBREV7      | XBREV6 | XBREV5      | XBREV4 | XBREV3 | XBREV2 | XBREV1 | XBREV0 | 8xxx       |
| DISICNT  | 0052  | —             | —       | DISICNT<13:0> |         |         |         |        |        |             |        |             |        |        |        |        |        | xxxx       |
| TBLPAG   | 0054  | —             | —       | —             | —       | —       | —       | —      | —      | TBLPAG<7:0> |        |             |        |        |        |        |        | 0000       |
| MSTRPR   | 0058  | MSTRPR<15:0>  |         |               |         |         |         |        |        |             |        |             |        |        |        |        | 0000   |            |
| CTXTSTAT | 005A  | —             | —       | —             | —       | —       | CCTXI2  | CCTXI1 | CCTXI0 | —           | —      | —           | —      | —      | MCTXI2 | MCTXI1 | MCTXI0 | 0000       |

**Legend:** x = unknown value on Reset; — = unimplemented, read as '0'. Reset values are shown in hexadecimal.

**TABLE 4-2: TIMERS REGISTER MAP**

| SFR Name | Addr. | Bit 15   | Bit 14 | Bit 13 | Bit 12 | Bit 11 | Bit 10 | Bit 9 | Bit 8 | Bit 7 | Bit 6 | Bit 5  | Bit 4  | Bit 3 | Bit 2 | Bit 1 | Bit 0 | All Resets |
|----------|-------|--|--------|--------|--------|--------|--------|-------|-------|-------|-------|--------|--------|-------|-------|-------|-------|------------|
| TMR1     | 0100  | Timer1 Register  |        |        |        |        |        |       |       |       |       |        |        |       |       |       |       | 0000       |
| PR1      | 0102  | Period Register 1  |        |        |        |        |        |       |       |       |       |        |        |       |       |       |       | FFFF       |
| T1CON    | 0104  | TON  | —      | TSIDL  | —      | —      | —      | —     | —     | —     | TGATE | TCKPS1 | TCKPS0 | —     | TSYNC | TCS   | —     | 0000       |
| TMR2     | 0106  | Timer2 Register  |        |        |        |        |        |       |       |       |       |        |        |       |       |       |       | 0000       |
| TMR3HLD  | 0108  | Timer3 Holding Register (For 32-bit timer operations only) |        |        |        |        |        |       |       |       |       |        |        |       |       |       |       | 0000       |
| TMR3     | 010A  | Timer3 Register  |        |        |        |        |        |       |       |       |       |        |        |       |       |       |       | 0000       |
| PR2      | 010C  | Period Register 2  |        |        |        |        |        |       |       |       |       |        |        |       |       |       |       | FFFF       |
| PR3      | 010E  | Period Register 3  |        |        |        |        |        |       |       |       |       |        |        |       |       |       |       | FFFF       |
| T2CON    | 0110  | TON  | —      | TSIDL  | —      | —      | —      | —     | —     | —     | TGATE | TCKPS1 | TCKPS0 | T32   | —     | TCS   | —     | 0000       |
| T3CON    | 0112  | TON  | —      | TSIDL  | —      | —      | —      | —     | —     | —     | TGATE | TCKPS1 | TCKPS0 | —     | —     | TCS   | —     | 0000       |
| TMR4     | 0114  | Timer4 Register  |        |        |        |        |        |       |       |       |       |        |        |       |       |       |       | 0000       |
| TMR5HLD  | 0116  | Timer5 Holding Register (For 32-bit operations only)       |        |        |        |        |        |       |       |       |       |        |        |       |       |       |       | 0000       |
| TMR5     | 0118  | Timer5 Register  |        |        |        |        |        |       |       |       |       |        |        |       |       |       |       | 0000       |
| PR4      | 011A  | Period Register 4  |        |        |        |        |        |       |       |       |       |        |        |       |       |       |       | FFFF       |
| PR5      | 011C  | Period Register 5  |        |        |        |        |        |       |       |       |       |        |        |       |       |       |       | FFFF       |
| T4CON    | 011E  | TON  | —      | TSIDL  | —      | —      | —      | —     | —     | —     | TGATE | TCKPS1 | TCKPS0 | T32   | —     | TCS   | —     | 0000       |
| T5CON    | 0120  | TON  | —      | TSIDL  | —      | —      | —      | —     | —     | —     | TGATE | TCKPS1 | TCKPS0 | —     | —     | TCS   | —     | 0000       |

**Legend:** — = unimplemented, read as '0'. Reset values are shown in hexadecimal.

**TABLE 4-3: INPUT CAPTURE 1 THROUGH INPUT CAPTURE 4 REGISTER MAP**

| SFR Name | Addr. | Bit 15                          | Bit 14 | Bit 13 | Bit 12  | Bit 11  | Bit 10  | Bit 9 | Bit 8 | Bit 7  | Bit 6    | Bit 5 | Bit 4    | Bit 3    | Bit 2    | Bit 1    | Bit 0    | All Resets |
|----------|-------|---------------------------------|--------|--------|---------|---------|---------|-------|-------|--------|----------|-------|----------|----------|----------|----------|----------|------------|
| IC1CON1  | 0140  | —                               | —      | ICSIDL | ICTSEL2 | ICTSEL1 | ICTSELO | —     | —     | —      | IC1      | IC10  | ICOV     | ICBNE    | ICM2     | ICM1     | ICM0     | 0000       |
| IC1CON2  | 0142  | —                               | —      | —      | —       | —       | —       | —     | IC32  | ICTRIG | TRIGSTAT | —     | SYNCSEL4 | SYNCSEL3 | SYNCSEL2 | SYNCSEL1 | SYNCSELO | 000D       |
| IC1BUF   | 0144  | Input Capture 1 Buffer Register |        |        |         |         |         |       |       |        |          |       |          |          |          |          |          | xxxx       |
| IC1TMR   | 0146  | Input Capture 1 Timer Register  |        |        |         |         |         |       |       |        |          |       |          |          |          |          |          | 0000       |
| IC2CON1  | 0148  | —                               | —      | ICSIDL | ICTSEL2 | ICTSEL1 | ICTSELO | —     | —     | —      | IC1      | IC10  | ICOV     | ICBNE    | ICM2     | ICM1     | ICM0     | 0000       |
| IC2CON2  | 014A  | —                               | —      | —      | —       | —       | —       | —     | IC32  | ICTRIG | TRIGSTAT | —     | SYNCSEL4 | SYNCSEL3 | SYNCSEL2 | SYNCSEL1 | SYNCSELO | 000D       |
| IC2BUF   | 014C  | Input Capture 2 Buffer Register |        |        |         |         |         |       |       |        |          |       |          |          |          |          |          | xxxx       |
| IC2TMR   | 014E  | Input Capture 2 Timer Register  |        |        |         |         |         |       |       |        |          |       |          |          |          |          |          | 0000       |
| IC3CON1  | 0150  | —                               | —      | ICSIDL | ICTSEL2 | ICTSEL1 | ICTSELO | —     | —     | —      | IC1      | IC10  | ICOV     | ICBNE    | ICM2     | ICM1     | ICM0     | 0000       |
| IC3CON2  | 0152  | —                               | —      | —      | —       | —       | —       | —     | IC32  | ICTRIG | TRIGSTAT | —     | SYNCSEL4 | SYNCSEL3 | SYNCSEL2 | SYNCSEL1 | SYNCSELO | 000D       |
| IC3BUF   | 0154  | Input Capture 3 Buffer Register |        |        |         |         |         |       |       |        |          |       |          |          |          |          |          | xxxx       |
| IC3TMR   | 0156  | Input Capture 3 Timer Register  |        |        |         |         |         |       |       |        |          |       |          |          |          |          |          | 0000       |
| IC4CON1  | 0158  | —                               | —      | ICSIDL | ICTSEL2 | ICTSEL1 | ICTSELO | —     | —     | —      | IC1      | IC10  | ICOV     | ICBNE    | ICM2     | ICM1     | ICM0     | 0000       |
| IC4CON2  | 015A  | —                               | —      | —      | —       | —       | —       | —     | IC32  | ICTRIG | TRIGSTAT | —     | SYNCSEL4 | SYNCSEL3 | SYNCSEL2 | SYNCSEL1 | SYNCSELO | 000D       |
| IC4BUF   | 015C  | Input Capture 4 Buffer Register |        |        |         |         |         |       |       |        |          |       |          |          |          |          |          | xxxx       |
| IC4TMR   | 015E  | Input Capture 4 Timer Register  |        |        |         |         |         |       |       |        |          |       |          |          |          |          |          | 0000       |

**Legend:** x = unknown value on Reset; — = unimplemented, read as '0'. Reset values are shown in hexadecimal.

**TABLE 4-4: I2C1 REGISTER MAP**

| SFR Name | Addr. | Bit 15                       | Bit 14 | Bit 13  | Bit 12 | Bit 11 | Bit 10 | Bit 9                      | Bit 8 | Bit 7                  | Bit 6 | Bit 5 | Bit 4 | Bit 3 | Bit 2 | Bit 1 | Bit 0 | All Resets |
|----------|-------|------------------------------|--------|---------|--------|--------|--------|----------------------------|-------|------------------------|-------|-------|-------|-------|-------|-------|-------|------------|
| I2C1CON1 | 0200  | I2CEN                        | —      | I2CSIDL | SCLREL | STRICT | A10M   | DISSLW                     | SMEN  | GCEN                   | STREN | ACKDT | ACKEN | RCEN  | PEN   | RSEN  | SEN   | 1000       |
| I2C1CON2 | 0202  | —                            | —      | —       | —      | —      | —      | —                          | —     | —                      | PCIE  | SCIE  | BOEN  | SDAHT | SBCDE | AHEN  | DHEN  | 1000       |
| I2C1STAT | 0204  | ACKSTAT                      | TRSTAT | ACKTIM  | —      | —      | BCL    | GCSTAT                     | ADD10 | IWCOL                  | I2COV | D_A   | P     | S     | R_W   | RBF   | TBF   | 0000       |
| I2C1ADD  | 0206  | —                            | —      | —       | —      | —      | —      | I2C1 Address Register      |       |                        |       |       |       |       |       |       |       | 0000       |
| I2C1MSK  | 0208  | —                            | —      | —       | —      | —      | —      | I2C1 Address Mask Register |       |                        |       |       |       |       |       |       |       | 0000       |
| I2C1BRG  | 020A  | Baud Rate Generator Register |        |         |        |        |        |                            |       |                        |       |       |       |       |       |       |       | 0000       |
| I2C1TRN  | 020C  | —                            | —      | —       | —      | —      | —      | —                          | —     | I2C1 Transmit Register |       |       |       |       |       |       |       | 00FF       |
| I2C1RCV  | 020E  | —                            | —      | —       | —      | —      | —      | —                          | —     | I2C1 Receive Register  |       |       |       |       |       |       |       | 0000       |

**Legend:** — = unimplemented, read as '0'. Reset values are shown in hexadecimal.

**TABLE 4-5: UART1 AND UART2 REGISTER MAP**

| SFR Name | Addr. | Bit 15                                       | Bit 14 | Bit 13   | Bit 12 | Bit 11 | Bit 10 | Bit 9 | Bit 8                   | Bit 7    | Bit 6    | Bit 5 | Bit 4  | Bit 3 | Bit 2  | Bit 1  | Bit 0 | All Resets |
|----------|-------|--|--------|----------|--------|--------|--------|-------|-------------------------|----------|----------|-------|--------|-------|--------|--------|-------|------------|
| U1MODE   | 0220  | UARTEN                                       | —      | USIDL    | IREN   | RTSMO  | —      | UEN1  | UEN0                    | WAKE     | LPBACK   | ABAUD | URXINV | BRGH  | PDSEL1 | PDSEL0 | STSEL | 0000       |
| U1STA    | 0222  | UTXISEL1                                     | UTXINV | UTXISEL0 | —      | UTXBRK | UTXEN  | UTXBF | TRMT                    | URXISEL1 | URXISEL0 | ADDEN | RIDL   | PERR  | FERR   | OERR   | URXDA | 0110       |
| U1TXREG  | 0224  | —  | —      | —        | —      | —      | —      | —     | UART1 Transmit Register |          |          |       |        |       |        |        |       | xxxx       |
| U1RXREG  | 0226  | —  | —      | —        | —      | —      | —      | —     | UART1 Receive Register  |          |          |       |        |       |        |        |       | 0000       |
| U1BRG    | 0228  | UART1 Baud Rate Generator Prescaler Register |        |          |        |        |        |       |                         |          |          |       |        |       |        |        |       | 0000       |
| U2MODE   | 0230  | UARTEN                                       | —      | USIDL    | IREN   | RTSMO  | —      | UEN1  | UEN0                    | WAKE     | LPBACK   | ABAUD | URXINV | BRGH  | PDSEL1 | PDSEL0 | STSEL | 0000       |
| U2STA    | 0232  | UTXISEL1                                     | UTXINV | UTXISEL0 | —      | UTXBRK | UTXEN  | UTXBF | TRMT                    | URXISEL1 | URXISEL0 | ADDEN | RIDL   | PERR  | FERR   | OERR   | URXDA | 0110       |
| U2TXREG  | 0234  | —  | —      | —        | —      | —      | —      | —     | UART2 Transmit Register |          |          |       |        |       |        |        |       | xxxx       |
| U2RXREG  | 0236  | —  | —      | —        | —      | —      | —      | —     | UART2 Receive Register  |          |          |       |        |       |        |        |       | 0000       |
| U2BRG    | 0238  | UART2 Baud Rate Generator Prescaler Register |        |          |        |        |        |       |                         |          |          |       |        |       |        |        |       | 0000       |

**Legend:** x = unknown value on Reset; — = unimplemented, read as '0'. Reset values are shown in hexadecimal.

**TABLE 4-6: SPI1 AND SPI2 REGISTER MAP**

| SFR Name | Addr. | Bit 15                                    | Bit 14 | Bit 13  | Bit 12 | Bit 11 | Bit 10  | Bit 9   | Bit 8   | Bit 7 | Bit 6  | Bit 5  | Bit 4  | Bit 3  | Bit 2  | Bit 1  | Bit 0  | All Resets |
|----------|-------|---|--------|---------|--------|--------|---------|---------|---------|-------|--------|--------|--------|--------|--------|--------|--------|------------|
| SPI1STAT | 0240  | SPIEN                                     | —      | SPISIDL | —      | —      | SPIBEC2 | SPIBEC1 | SPIBEC0 | SRMPT | SPIROV | SRXMPT | SISEL2 | SISEL1 | SISEL0 | SPITBF | SPIRBF | 0000       |
| SPI1CON1 | 0242  | —   | —      | —       | DISSCK | DISSDO | MODE16  | SMP     | CKE     | SSEN  | CKP    | MSTEN  | SPRE2  | SPRE1  | SPRE0  | PPRE1  | PPRE0  | 0000       |
| SPI1CON2 | 0244  | FRMEN                                     | SPIFSD | FRMPOL  | —      | —      | —       | —       | —       | —     | —      | —      | —      | —      | —      | FRMDLY | SPIBEN | 0000       |
| SPI1BUF  | 0248  | SPI1 Transmit and Receive Buffer Register |        |         |        |        |         |         |         |       |        |        |        |        |        |        |        | 0000       |
| SPI2STAT | 0260  | SPIEN                                     | —      | SPISIDL | —      | —      | SPIBEC2 | SPIBEC1 | SPIBEC0 | SRMPT | SPIROV | SRXMPT | SISEL2 | SISEL1 | SISEL0 | SPITBF | SPIRBF | 0000       |
| SPI2CON1 | 0262  | —   | —      | —       | DISSCK | DISSDO | MODE16  | SMP     | CKE     | SSEN  | CKP    | MSTEN  | SPRE2  | SPRE1  | SPRE0  | PPRE1  | PPRE0  | 0000       |
| SPI2CON2 | 0264  | FRMEN                                     | SPIFSD | FRMPOL  | —      | —      | —       | —       | —       | —     | —      | —      | —      | —      | —      | FRMDLY | SPIBEN | 0000       |
| SPI2BUF  | 0268  | SPI2 Transmit and Receive Buffer Register |        |         |        |        |         |         |         |       |        |        |        |        |        |        |        | 0000       |

**Legend:** — = unimplemented, read as '0'. Reset values are shown in hexadecimal.

**TABLE 4-7: ADC1 REGISTER MAP**

| SFR Name  | Addr. | Bit 15              | Bit 14 | Bit 13 | Bit 12   | Bit 11   | Bit 10   | Bit 9    | Bit 8    | Bit 7   | Bit 6 | Bit 5  | Bit 4    | Bit 3      | Bit 2    | Bit 1    | Bit 0    | All Resets |      |
|-----------|-------|---------------------|--------|--------|----------|----------|----------|----------|----------|---------|-------|--------|----------|------------|----------|----------|----------|------------|------|
| ADC1BUF0  | 0300  | ADC1 Data Buffer 0  |        |        |          |          |          |          |          |         |       |        |          |            |          |          |          | xxxx       |      |
| ADC1BUF1  | 0302  | ADC1 Data Buffer 1  |        |        |          |          |          |          |          |         |       |        |          |            |          |          |          | xxxx       |      |
| ADC1BUF2  | 0304  | ADC1 Data Buffer 2  |        |        |          |          |          |          |          |         |       |        |          |            |          |          |          | xxxx       |      |
| ADC1BUF3  | 0306  | ADC1 Data Buffer 3  |        |        |          |          |          |          |          |         |       |        |          |            |          |          |          | xxxx       |      |
| ADC1BUF4  | 0308  | ADC1 Data Buffer 4  |        |        |          |          |          |          |          |         |       |        |          |            |          |          |          | xxxx       |      |
| ADC1BUF5  | 030A  | ADC1 Data Buffer 5  |        |        |          |          |          |          |          |         |       |        |          |            |          |          |          | xxxx       |      |
| ADC1BUF6  | 030C  | ADC1 Data Buffer 6  |        |        |          |          |          |          |          |         |       |        |          |            |          |          |          | xxxx       |      |
| ADC1BUF7  | 030E  | ADC1 Data Buffer 7  |        |        |          |          |          |          |          |         |       |        |          |            |          |          |          | xxxx       |      |
| ADC1BUF8  | 0310  | ADC1 Data Buffer 8  |        |        |          |          |          |          |          |         |       |        |          |            |          |          |          | xxxx       |      |
| ADC1BUF9  | 0312  | ADC1 Data Buffer 9  |        |        |          |          |          |          |          |         |       |        |          |            |          |          |          | xxxx       |      |
| ADC1BUFA  | 0314  | ADC1 Data Buffer 10 |        |        |          |          |          |          |          |         |       |        |          |            |          |          |          | xxxx       |      |
| ADC1BUFB  | 0316  | ADC1 Data Buffer 11 |        |        |          |          |          |          |          |         |       |        |          |            |          |          |          | xxxx       |      |
| ADC1BUFC  | 0318  | ADC1 Data Buffer 12 |        |        |          |          |          |          |          |         |       |        |          |            |          |          |          | xxxx       |      |
| ADC1BUFD  | 031A  | ADC1 Data Buffer 13 |        |        |          |          |          |          |          |         |       |        |          |            |          |          |          | xxxx       |      |
| ADC1BUFE  | 031C  | ADC1 Data Buffer 14 |        |        |          |          |          |          |          |         |       |        |          |            |          |          |          | xxxx       |      |
| ADC1BUFF  | 031E  | ADC1 Data Buffer 15 |        |        |          |          |          |          |          |         |       |        |          |            |          |          |          | xxxx       |      |
| AD1CON1   | 0320  | ADON                | —      | ADSIDL | ADDMABM  | —        | AD12B    | FORM1    | FORM0    | SSRC2   | SSRC1 | SSRC0  | SSRCG    | SIMSAM     | ASAM     | SAMP     | DONE     | 0000       |      |
| AD1CON2   | 0322  | VCFG2               | VCFG1  | VCFG0  | —        | —        | CSCNA    | CHPS1    | CHPS0    | BUFS    | SMP14 | SMP13  | SMP12    | SMP11      | SMP10    | BUFM     | ALTS     | 0000       |      |
| AD1CON3   | 0324  | ADRC                | —      | —      | SAMC4    | SAMC3    | SAMC2    | SAMC1    | SAMC0    | ADCS7   | ADCS6 | ADCS5  | ADCS4    | ADCS3      | ADCS2    | ADCS1    | ADCS0    | 0000       |      |
| AD1CHS123 | 0326  | —                   | —      | —      | CH123SB2 | CH123SB1 | CH123NB1 | CH123NB0 | CH123SB0 | —       | —     | —      | CH123SA2 | CH123SA1   | CH123NA1 | CH123NA0 | CH123SA0 | 0000       |      |
| AD1CHS0   | 0328  | CH0NB               | —      | CH0SB5 | CH0SB4   | CH0SB3   | CH0SB2   | CH0SB1   | CH0SB0   | CH0NA   | —     | CH0SA5 | CH0SA4   | CH0SA3     | CH0SA2   | CH0SA1   | CH0SA0   | 0000       |      |
| AD1CSSH   | 032E  | CSS<31:24>          |        |        |          |          |          |          |          | —       | —     | —      | —        | CSS<19:16> |          |          |          | 0000       |      |
| AD1CSSL   | 0330  | CSS<15:0>           |        |        |          |          |          |          |          |         |       |        |          |            |          |          |          | 0000       |      |
| AD1CON4   | 0332  | —                   | —      | —      | —        | —        | —        | —        | —        | ADDMAEN | —     | —      | —        | —          | —        | DMABL2   | DMABL1   | DMABL0     | 0000 |

**Legend:** x = unknown value on Reset; — = unimplemented, read as '0'. Reset values are shown in hexadecimal.

**TABLE 4-8: CTMU REGISTER MAP**

| SFR Name | Addr. | Bit 15  | Bit 14  | Bit 13   | Bit 12   | Bit 11   | Bit 10   | Bit 9    | Bit 8    | Bit 7   | Bit 6   | Bit 5    | Bit 4    | Bit 3    | Bit 2    | Bit 1 | Bit 0 | All Resets |
|----------|-------|---------|---------|----------|----------|----------|----------|----------|----------|---------|---------|----------|----------|----------|----------|-------|-------|------------|
| CTMUCON1 | 033A  | CTMUEN  | —       | CTMUSIDL | TGEN     | EDGEN    | EDGSEQEN | IDISSEN  | CTTRIG   | —       | —       | —        | —        | —        | —        | —     | —     | 0000       |
| CTMUCON2 | 033C  | EDG1MOD | EDG1POL | EDG1SEL3 | EDG1SEL2 | EDG1SEL1 | EDG1SEL0 | EDG2STAT | EDG1STAT | EDG2MOD | EDG2POL | EDG2SEL3 | EDG2SEL2 | EDG2SEL1 | EDG2SEL0 | —     | —     | 0000       |
| CTMUICON | 033E  | ITRIM5  | ITRIM4  | ITRIM3   | ITRIM2   | ITRIM1   | ITRIM0   | IRNG1    | IRNG0    | —       | —       | —        | —        | —        | —        | —     | —     | 0000       |

**Legend:** — = unimplemented, read as '0'. Reset values are shown in hexadecimal.

**TABLE 4-9: CAN1 REGISTER MAP WHEN WIN (C1CTRL<0>) = 0 OR 1 FOR dsPIC33EVXXXGM10X DEVICES**

| SFR Name   | Addr. | Bit 15      | Bit 14   | Bit 13   | Bit 12   | Bit 11   | Bit 10   | Bit 9    | Bit 8    | Bit 7    | Bit 6    | Bit 5    | Bit 4      | Bit 3    | Bit 2    | Bit 1    | Bit 0    | All Resets |
|------------|-------|-------------|----------|----------|----------|----------|----------|----------|----------|----------|----------|----------|------------|----------|----------|----------|----------|------------|
| C1CTRL1    | 0400  | —           | —        | CSIDL    | ABAT     | CANCKS   | REQOP2   | REQOP1   | REQOP0   | OPMODE2  | OPMODE1  | OPMODE0  | —          | CANCAP   | —        | —        | WIN      | 0480       |
| C1CTRL2    | 0402  | —           | —        | —        | —        | —        | —        | —        | —        | —        | —        | —        | DNCNT<4:0> |          |          |          |          | 0000       |
| C1VEC      | 0404  | —           | —        | —        | FILHIT4  | FILHIT3  | FILHIT2  | FILHIT1  | FILHIT0  | —        | ICODE6   | ICODE5   | ICODE4     | ICODE3   | ICODE2   | ICODE1   | ICODE0   | 0000       |
| C1FCTRL    | 0406  | DMABS2      | DMABS1   | DMABS0   | —        | —        | —        | —        | —        | —        | —        | FSA5     | FSA4       | FSA3     | FSA2     | FSA1     | FSA0     | 0000       |
| C1FIFO     | 0408  | —           | —        | FBP5     | FBP4     | FBP3     | FBP2     | FBP1     | FBP0     | —        | —        | FNRB5    | FNRB4      | FNRB3    | FNRB2    | FNRB1    | FNRB0    | 0000       |
| C1INTF     | 040A  | —           | —        | TXBO     | TXBP     | RXBP     | TXWAR    | RXWAR    | EWARN    | IVRIF    | WAKIF    | ERRIF    | —          | FIFOIF   | RBOVIF   | RBIF     | TBIF     | 0000       |
| C1INTE     | 040C  | —           | —        | —        | —        | —        | —        | —        | —        | IVRIE    | WAKIE    | ERRIE    | —          | FIFOIE   | RBOVIE   | RBIE     | TBIE     | 0000       |
| C1EC       | 040E  | TERRCNT7    | TERRCNT6 | TERRCNT5 | TERRCNT4 | TERRCNT3 | TERRCNT2 | TERRCNT1 | TERRCNT0 | RERRCNT7 | RERRCNT6 | RERRCNT5 | RERRCNT4   | RERRCNT3 | RERRCNT2 | RERRCNT1 | RERRCNT0 | 0000       |
| C1CFG1     | 0410  | —           | —        | —        | —        | —        | —        | —        | —        | SJW1     | SJW0     | BRP5     | BRP4       | BRP3     | BRP2     | BRP1     | BRP0     | 0000       |
| C1CFG2     | 0412  | —           | WAKFIL   | —        | —        | —        | SEG2PH2  | SEG2PH1  | SEG2PH0  | SEG2PHTS | SAM      | SEG1PH2  | SEG1PH1    | SEG1PH0  | PRSEG2   | PRSEG1   | PRSEG0   | 0000       |
| C1FEN1     | 0414  | FLTEN<15:0> |          |          |          |          |          |          |          |          |          |          |            |          |          |          |          | FFFF       |
| C1FMSKSEL1 | 0418  | F7MSK1      | F7MSK0   | F6MSK1   | F6MSK0   | F5MSK1   | F5MSK0   | F4MSK1   | F4MSK0   | F3MSK1   | F3MSK0   | F2MSK1   | F2MSK0     | F1MSK1   | F1MSK0   | F0MSK1   | F0MSK0   | 0000       |
| C1FMSKSEL2 | 041A  | F15MSK1     | F15MSK0  | F14MSK1  | F14MSK0  | F13MSK1  | F13MSK0  | F12MSK1  | F12MSK0  | F11MSK1  | F11MSK0  | F10MSK1  | F10MSK0    | F9MSK1   | F9MSK0   | F8MSK1   | F8MSK0   | 0000       |

Legend: — = unimplemented, read as '0'. Reset values are shown in hexadecimal.

**TABLE 4-10: CAN1 REGISTER MAP WHEN WIN (C1CTRL<0>) = 0 FOR dsPIC33EVXXXGM10X DEVICES**

| SFR Name  | Addr.     | Bit 15                           | Bit 14 | Bit 13  | Bit 12 | Bit 11 | Bit 10 | Bit 9   | Bit 8   | Bit 7 | Bit 6   | Bit 5   | Bit 4  | Bit 3  | Bit 2  | Bit 1   | Bit 0   | All Resets |
|-----------|-----------|----------------------------------|--------|---------|--------|--------|--------|---------|---------|-------|---------|---------|--------|--------|--------|---------|---------|------------|
|           | 0400-041E | See definition when WIN = x      |        |         |        |        |        |         |         |       |         |         |        |        |        |         |         |            |
| C1RXFUL1  | 0420      | RXFUL<15:0>                      |        |         |        |        |        |         |         |       |         |         |        |        |        |         |         | 0000       |
| C1RXFUL2  | 0422      | RXFUL<31:16>                     |        |         |        |        |        |         |         |       |         |         |        |        |        |         |         | 0000       |
| C1RXOVF1  | 0428      | RXOVF<15:0>                      |        |         |        |        |        |         |         |       |         |         |        |        |        |         |         | 0000       |
| C1RXOVF2  | 042A      | RXOVF<31:16>                     |        |         |        |        |        |         |         |       |         |         |        |        |        |         |         | 0000       |
| C1TR01CON | 0430      | TXEN1                            | TXABT1 | TXLARB1 | TXERR1 | TXREQ1 | RTREN1 | TX1PRI1 | TX1PRI0 | TXEN0 | TXABAT0 | TXLARB0 | TXERR0 | TXREQ0 | RTREN0 | TX0PRI1 | TX0PRI0 | 0000       |
| C1TR23CON | 0432      | TXEN3                            | TXABT3 | TXLARB3 | TXERR3 | TXREQ3 | RTREN3 | TX3PRI1 | TX3PRI0 | TXEN2 | TXABAT2 | TXLARB2 | TXERR2 | TXREQ2 | RTREN2 | TX2PRI1 | TX2PRI0 | 0000       |
| C1TR45CON | 0434      | TXEN5                            | TXABT5 | TXLARB5 | TXERR5 | TXREQ5 | RTREN5 | TX5PRI1 | TX5PRI0 | TXEN4 | TXABAT4 | TXLARB4 | TXERR4 | TXREQ4 | RTREN4 | TX4PRI1 | TX4PRI0 | 0000       |
| C1TR67CON | 0436      | TXEN7                            | TXABT7 | TXLARB7 | TXERR7 | TXREQ7 | RTREN7 | TX7PRI1 | TX7PRI0 | TXEN6 | TXABAT6 | TXLARB6 | TXERR6 | TXREQ6 | RTREN6 | TX6PRI1 | TX6PRI0 | xxxx       |
| C1RXD     | 0440      | CAN1 Receive Data Word Register  |        |         |        |        |        |         |         |       |         |         |        |        |        |         |         | xxxx       |
| C1TXD     | 0442      | CAN1 Transmit Data Word Register |        |         |        |        |        |         |         |       |         |         |        |        |        |         |         | xxxx       |

Legend: x = unknown value on Reset; — = unimplemented, read as '0'. Reset values are shown in hexadecimal.

**TABLE 4-11: CAN1 REGISTER MAP WHEN WIN (C1CTRL<0>) = 1 FOR dsPIC33EVXXXGM10X DEVICES**

| SFR Name   | Addr.     | Bit 15                      | Bit 14 | Bit 13 | Bit 12 | Bit 11 | Bit 10 | Bit 9  | Bit 8  | Bit 7  | Bit 6  | Bit 5  | Bit 4  | Bit 3  | Bit 2  | Bit 1  | Bit 0  | All Resets |
|------------|-----------|-----------------------------|--------|--------|--------|--------|--------|--------|--------|--------|--------|--------|--------|--------|--------|--------|--------|------------|
|            | 0400-041E | See definition when WIN = x |        |        |        |        |        |        |        |        |        |        |        |        |        |        |        |            |
| C1BUFNT1   | 0420      | F3BP3                       | F3BP2  | F3BP1  | F3BP0  | F2BP3  | F2BP2  | F2BP1  | F2BP0  | F1BP3  | F1BP2  | F1BP1  | F1BP0  | F0BP3  | F0BP2  | F0BP1  | F0BP0  | 0000       |
| C1BUFNT2   | 0422      | F7BP3                       | F7BP2  | F7BP1  | F7BP0  | F6BP3  | F6BP2  | F6BP1  | F6BP0  | F5BP3  | F5BP2  | F5BP1  | F5BP0  | F4BP3  | F4BP2  | F4BP1  | F4BP0  | 0000       |
| C1BUFNT3   | 0424      | F11BP3                      | F11BP2 | F11BP1 | F11BP0 | F10BP3 | F10BP2 | F10BP1 | F10BP0 | F9BP3  | F9BP2  | F9BP1  | F9BP0  | F8BP3  | F8BP2  | F8BP1  | F8BP0  | 0000       |
| C1BUFNT4   | 0426      | F15BP3                      | F15BP2 | F15BP1 | F15BP0 | F14BP3 | F14BP2 | F14BP1 | F14BP0 | F13BP3 | F13BP2 | F13BP1 | F13BP0 | F12BP3 | F12BP2 | F12BP1 | F12BP0 | 0000       |
| C1RXM0SID  | 0430      | SID10                       | SID9   | SID8   | SID7   | SID6   | SID5   | SID4   | SID3   | SID2   | SID1   | SID0   | —      | MIDE   | —      | EID17  | EID16  | xxxx       |
| C1RXM0EID  | 0432      | EID<15:0>                   |        |        |        |        |        |        |        |        |        |        |        |        |        |        |        | xxxx       |
| C1RXM1SID  | 0434      | SID10                       | SID9   | SID8   | SID7   | SID6   | SID5   | SID4   | SID3   | SID2   | SID1   | SID0   | —      | MIDE   | —      | EID17  | EID16  | xxxx       |
| C1RXM1EID  | 0436      | EID<15:0>                   |        |        |        |        |        |        |        |        |        |        |        |        |        |        |        | xxxx       |
| C1RXM2SID  | 0438      | SID10                       | SID9   | SID8   | SID7   | SID6   | SID5   | SID4   | SID3   | SID2   | SID1   | SID0   | —      | MIDE   | —      | EID17  | EID16  | xxxx       |
| C1RXM2EID  | 043A      | EID<15:0>                   |        |        |        |        |        |        |        |        |        |        |        |        |        |        |        | xxxx       |
| C1RXF0SID  | 0440      | SID10                       | SID9   | SID8   | SID7   | SID6   | SID5   | SID4   | SID3   | SID2   | SID1   | SID0   | —      | EXIDE  | —      | EID17  | EID16  | xxxx       |
| C1RXF0EID  | 0442      | EID<15:0>                   |        |        |        |        |        |        |        |        |        |        |        |        |        |        |        | xxxx       |
| C1RXF1SID  | 0444      | SID10                       | SID9   | SID8   | SID7   | SID6   | SID5   | SID4   | SID3   | SID2   | SID1   | SID0   | —      | EXIDE  | —      | EID17  | EID16  | xxxx       |
| C1RXF1EID  | 0446      | EID<15:0>                   |        |        |        |        |        |        |        |        |        |        |        |        |        |        |        | xxxx       |
| C1RXF2SID  | 0448      | SID10                       | SID9   | SID8   | SID7   | SID6   | SID5   | SID4   | SID3   | SID2   | SID1   | SID0   | —      | EXIDE  | —      | EID17  | EID16  | xxxx       |
| C1RXF2EID  | 044A      | EID<15:0>                   |        |        |        |        |        |        |        |        |        |        |        |        |        |        |        | xxxx       |
| C1RXF3SID  | 044C      | SID10                       | SID9   | SID8   | SID7   | SID6   | SID5   | SID4   | SID3   | SID2   | SID1   | SID0   | —      | EXIDE  | —      | EID17  | EID16  | xxxx       |
| C1RXF3EID  | 044E      | EID<15:0>                   |        |        |        |        |        |        |        |        |        |        |        |        |        |        |        | xxxx       |
| C1RXF4SID  | 0450      | SID10                       | SID9   | SID8   | SID7   | SID6   | SID5   | SID4   | SID3   | SID2   | SID1   | SID0   | —      | EXIDE  | —      | EID17  | EID16  | xxxx       |
| C1RXF4EID  | 0452      | EID<15:0>                   |        |        |        |        |        |        |        |        |        |        |        |        |        |        |        | xxxx       |
| C1RXF5SID  | 0454      | SID10                       | SID9   | SID8   | SID7   | SID6   | SID5   | SID4   | SID3   | SID2   | SID1   | SID0   | —      | EXIDE  | —      | EID17  | EID16  | xxxx       |
| C1RXF5EID  | 0456      | EID<15:0>                   |        |        |        |        |        |        |        |        |        |        |        |        |        |        |        | xxxx       |
| C1RXF6SID  | 0458      | SID10                       | SID9   | SID8   | SID7   | SID6   | SID5   | SID4   | SID3   | SID2   | SID1   | SID0   | —      | EXIDE  | —      | EID17  | EID16  | xxxx       |
| C1RXF6EID  | 045A      | EID<15:0>                   |        |        |        |        |        |        |        |        |        |        |        |        |        |        |        | xxxx       |
| C1RXF7SID  | 045C      | SID10                       | SID9   | SID8   | SID7   | SID6   | SID5   | SID4   | SID3   | SID2   | SID1   | SID0   | —      | EXIDE  | —      | EID17  | EID16  | xxxx       |
| C1RXF7EID  | 045E      | EID<15:0>                   |        |        |        |        |        |        |        |        |        |        |        |        |        |        |        | xxxx       |
| C1RXF8SID  | 0460      | SID10                       | SID9   | SID8   | SID7   | SID6   | SID5   | SID4   | SID3   | SID2   | SID1   | SID0   | —      | EXIDE  | —      | EID17  | EID16  | xxxx       |
| C1RXF8EID  | 0462      | EID<15:0>                   |        |        |        |        |        |        |        |        |        |        |        |        |        |        |        | xxxx       |
| C1RXF9SID  | 0464      | SID10                       | SID9   | SID8   | SID7   | SID6   | SID5   | SID4   | SID3   | SID2   | SID1   | SID0   | —      | EXIDE  | —      | EID17  | EID16  | xxxx       |
| C1RXF9EID  | 0466      | EID<15:0>                   |        |        |        |        |        |        |        |        |        |        |        |        |        |        |        | xxxx       |
| C1RXF10SID | 0468      | SID10                       | SID9   | SID8   | SID7   | SID6   | SID5   | SID4   | SID3   | SID2   | SID1   | SID0   | —      | EXIDE  | —      | EID17  | EID16  | xxxx       |
| C1RXF10EID | 046A      | EID<15:0>                   |        |        |        |        |        |        |        |        |        |        |        |        |        |        |        | xxxx       |

**Legend:** x = unknown value on Reset; — = unimplemented, read as '0'. Reset values are shown in hexadecimal.



**TABLE 4-11: CAN1 REGISTER MAP WHEN WIN (C1CTRL<0>) = 1 FOR dsPIC33EVXXXGM10X DEVICES (CONTINUED)**

| SFR Name   | Addr. | Bit 15    | Bit 14 | Bit 13 | Bit 12 | Bit 11 | Bit 10 | Bit 9 | Bit 8 | Bit 7 | Bit 6 | Bit 5 | Bit 4 | Bit 3 | Bit 2 | Bit 1 | Bit 0 | All Resets |
|------------|-------|-----------|--------|--------|--------|--------|--------|-------|-------|-------|-------|-------|-------|-------|-------|-------|-------|------------|
| C1RXF11SID | 046C  | SID10     | SID9   | SID8   | SID7   | SID6   | SID5   | SID4  | SID3  | SID2  | SID1  | SID0  | —     | EXIDE | —     | EID17 | EID16 | xxxx       |
| C1RXF11EID | 046E  | EID<15:0> |        |        |        |        |        |       |       |       |       |       |       |       |       |       |       | xxxx       |
| C1RXF12SID | 0470  | SID10     | SID9   | SID8   | SID7   | SID6   | SID5   | SID4  | SID3  | SID2  | SID1  | SID0  | —     | EXIDE | —     | EID17 | EID16 | xxxx       |
| C1RXF12EID | 0472  | EID<15:0> |        |        |        |        |        |       |       |       |       |       |       |       |       |       |       | xxxx       |
| C1RXF13SID | 0474  | SID10     | SID9   | SID8   | SID7   | SID6   | SID5   | SID4  | SID3  | SID2  | SID1  | SID0  | —     | EXIDE | —     | EID17 | EID16 | xxxx       |
| C1RXF13EID | 0476  | EID<15:0> |        |        |        |        |        |       |       |       |       |       |       |       |       |       |       | xxxx       |
| C1RXF14SID | 0478  | SID10     | SID9   | SID8   | SID7   | SID6   | SID5   | SID4  | SID3  | SID2  | SID1  | SID0  | —     | EXIDE | —     | EID17 | EID16 | xxxx       |
| C1RXF14EID | 047A  | EID<15:0> |        |        |        |        |        |       |       |       |       |       |       |       |       |       |       | xxxx       |
| C1RXF15SID | 047C  | SID10     | SID9   | SID8   | SID7   | SID6   | SID5   | SID4  | SID3  | SID2  | SID1  | SID0  | —     | EXIDE | —     | EID17 | EID16 | xxxx       |
| C1RXF15EID | 047E  | EID<15:0> |        |        |        |        |        |       |       |       |       |       |       |       |       |       |       | xxxx       |

**Legend:** x = unknown value on Reset; — = unimplemented, read as '0'. Reset values are shown in hexadecimal.

**TABLE 4-12: SENT1 RECEIVER REGISTER MAP**

| SFR Name  | Addr. | Bit 15   | Bit 14 | Bit 13  | Bit 12 | Bit 11     | Bit 10 | Bit 9 | Bit 8 | Bit 7      | Bit 6 | Bit 5 | Bit 4 | Bit 3      | Bit 2   | Bit 1   | Bit 0    | All Resets |
|-----------|-------|--|--------|---------|--------|------------|--------|-------|-------|------------|-------|-------|-------|------------|---------|---------|----------|------------|
| SENT1CON1 | 0500  | SNTEN  | —      | SNTSIDL | —      | RCVEN      | TXM    | TXPOL | CRCEN | PPP        | SPCEN | —     | PS    | —          | NIBCNT2 | NIBCNT1 | NIBCNT0  | 0000       |
| SENT1CON2 | 0504  | TICKTIME<15:0> (Transmit modes) or SYNCMAX<15:0> (Receive mode)  |        |         |        |            |        |       |       |            |       |       |       |            |         |         |          | FFFF       |
| SENT1CON3 | 0508  | FRAMETIME<15:0> (Transmit modes) or SYNCMIN<15:0> (Receive mode) |        |         |        |            |        |       |       |            |       |       |       |            |         |         |          | FFFF       |
| SENT1STAT | 050C  | —  | —      | —       | —      | —          | —      | —     | —     | PAUSE      | NIB2  | NIB1  | NIB0  | CRCERR     | FRMERR  | RXIDLE  | SYNCTXEN | 0000       |
| SENT1SYNC | 0510  | Synchronization Time Period Register (Transmit mode)             |        |         |        |            |        |       |       |            |       |       |       |            |         |         |          | 0000       |
| SENT1DATL | 0514  | DATA4<3:0>   |        |         |        | DATA5<3:0> |        |       |       | DATA6<3:0> |       |       |       | CRC<3:0>   |         |         |          | 0000       |
| SENT1DATH | 0516  | STAT<3:0>  |        |         |        | DATA1<3:0> |        |       |       | DATA2<3:0> |       |       |       | DATA3<3:0> |         |         |          | 0000       |

**Legend:** — = unimplemented, read as '0'. Reset values are shown in hexadecimal.

**TABLE 4-13: SENT2 RECEIVER REGISTER MAP**

| SFR Name  | Addr. | Bit 15   | Bit 14 | Bit 13  | Bit 12 | Bit 11     | Bit 10 | Bit 9 | Bit 8 | Bit 7      | Bit 6 | Bit 5 | Bit 4 | Bit 3      | Bit 2   | Bit 1   | Bit 0    | All Resets |
|-----------|-------|--|--------|---------|--------|------------|--------|-------|-------|------------|-------|-------|-------|------------|---------|---------|----------|------------|
| SENT2CON1 | 0520  | SNTEN  | —      | SNTSIDL | —      | RCVEN      | TXM    | TXPOL | CRCEN | PPP        | SPCEN | —     | PS    | —          | NIBCNT2 | NIBCNT1 | NIBCNT0  | 0000       |
| SENT2CON2 | 0524  | TICKTIME<15:0> (Transmit modes) or SYNCMAX<15:0> (Receive mode)  |        |         |        |            |        |       |       |            |       |       |       |            |         |         |          | FFFF       |
| SENT2CON3 | 0528  | FRAMETIME<15:0> (Transmit modes) or SYNCMIN<15:0> (Receive mode) |        |         |        |            |        |       |       |            |       |       |       |            |         |         |          | FFFF       |
| SENT2STAT | 052C  | —  | —      | —       | —      | —          | —      | —     | —     | PAUSE      | NIB2  | NIB1  | NIB0  | CRCERR     | FRMERR  | RXIDLE  | SYNCTXEN | 0000       |
| SENT2SYNC | 0530  | Synchronization Time Period Register (Transmit mode)             |        |         |        |            |        |       |       |            |       |       |       |            |         |         |          | 0000       |
| SENT2DATL | 0534  | DATA4<3:0>   |        |         |        | DATA5<3:0> |        |       |       | DATA6<3:0> |       |       |       | CRC<3:0>   |         |         |          | 0000       |
| SENT2DATH | 0536  | STAT<3:0>  |        |         |        | DATA1<3:0> |        |       |       | DATA2<3:0> |       |       |       | DATA3<3:0> |         |         |          | 0000       |

**Legend:** — = unimplemented, read as '0'. Reset values are shown in hexadecimal.

**TABLE 4-14: PERIPHERAL PIN SELECT OUTPUT REGISTER MAP FOR dsPIC33EVXXXGM002/102 DEVICES**

| SFR Name | Addr. | Bit 15 | Bit 14 | Bit 13      | Bit 12  | Bit 11  | Bit 10  | Bit 9   | Bit 8   | Bit 7 | Bit 6 | Bit 5       | Bit 4   | Bit 3   | Bit 2   | Bit 1   | Bit 0   | All Resets |      |
|----------|-------|--------|--------|-------------|---------|---------|---------|---------|---------|-------|-------|-------------|---------|---------|---------|---------|---------|------------|------|
| RPOR0    | 0670  | —      | —      | RP35R5      | RP35R4  | RP35R3  | RP35R2  | RP35R1  | RP35R0  | —     | —     | RP20R5      | RP20R4  | RP20R3  | RP20R2  | RP20R1  | RP20R0  | 0000       |      |
| RPOR1    | 0672  | —      | —      | RP37R5      | RP37R4  | RP37R3  | RP37R2  | RP37R1  | RP37R0  | —     | —     | RP36R5      | RP36R4  | RP36R3  | RP36R2  | RP36R1  | RP36R0  | 0000       |      |
| RPOR2    | 0674  | —      | —      | RP39R5      | RP39R4  | RP39R3  | RP39R2  | RP39R1  | RP39R0  | —     | —     | RP38R5      | RP38R4  | RP38R3  | RP38R2  | RP38R1  | RP38R0  | 0000       |      |
| RPOR3    | 0676  | —      | —      | RP41R5      | RP41R4  | RP41R3  | RP41R2  | RP41R1  | RP41R0  | —     | —     | RP40R5      | RP40R4  | RP40R3  | RP40R2  | RP40R1  | RP40R0  | 0000       |      |
| RPOR4    | 0678  | —      | —      | RP43R5      | RP43R4  | RP43R3  | RP43R2  | RP43R1  | RP43R0  | —     | —     | RP42R5      | RP42R4  | RP42R3  | RP42R2  | RP42R1  | RP42R0  | 0000       |      |
| RPOR10   | 0684  | —      | —      | RP176R<5:0> |         |         |         |         |         |       | —     | —           | —       | —       | —       | —       | —       | —          | 0000 |
| RPOR11   | 0686  | —      | —      | RP178R5     | RP178R4 | RP178R3 | RP178R2 | RP178R1 | RP178R0 | —     | —     | RP177R5     | RP177R4 | RP177R3 | RP177R2 | RP177R1 | RP177R0 | 0000       |      |
| RPOR12   | 0688  | —      | —      | RP180R5     | RP180R4 | RP180R3 | RP180R2 | RP180R1 | RP180R0 | —     | —     | RP179R5     | RP179R4 | RP179R3 | RP179R2 | RP179R1 | RP179R0 | 0000       |      |
| RPOR13   | 068A  | —      | —      | —           | —       | —       | —       | —       | —       | —     | —     | RP181R<5:0> |         |         |         |         |         | 0000       |      |

**Legend:** — = unimplemented, read as '0'. Reset values are shown in hexadecimal.

**TABLE 4-15: PERIPHERAL PIN SELECT OUTPUT REGISTER MAP FOR dsPIC33EVXXXGM004/104 DEVICES**

| SFR Name | Addr. | Bit 15 | Bit 14 | Bit 13      | Bit 12  | Bit 11  | Bit 10  | Bit 9   | Bit 8   | Bit 7 | Bit 6 | Bit 5       | Bit 4   | Bit 3   | Bit 2   | Bit 1   | Bit 0   | All Resets |
|----------|-------|--------|--------|-------------|---------|---------|---------|---------|---------|-------|-------|-------------|---------|---------|---------|---------|---------|------------|
| RPOR0    | 0670  | —      | —      | RP35R5      | RP35R4  | RP35R3  | RP35R2  | RP35R1  | RP35R0  | —     | —     | RP20R5      | RP20R4  | RP20R3  | RP20R2  | RP20R1  | RP20R0  | 0000       |
| RPOR1    | 0672  | —      | —      | RP37R5      | RP37R4  | RP37R3  | RP37R2  | RP37R1  | RP37R0  | —     | —     | RP36R5      | RP36R4  | RP36R3  | RP36R2  | RP36R1  | RP36R0  | 0000       |
| RPOR2    | 0674  | —      | —      | RP39R5      | RP39R4  | RP39R3  | RP39R2  | RP39R1  | RP39R0  | —     | —     | RP38R5      | RP38R4  | RP38R3  | RP38R2  | RP38R1  | RP38R0  | 0000       |
| RPOR3    | 0676  | —      | —      | RP41R5      | RP41R4  | RP41R3  | RP41R2  | RP41R1  | RP41R0  | —     | —     | RP40R5      | RP40R4  | RP40R3  | RP40R2  | RP40R1  | RP40R0  | 0000       |
| RPOR4    | 0678  | —      | —      | RP43R5      | RP43R4  | RP43R3  | RP43R2  | RP43R1  | RP43R0  | —     | —     | RP42R5      | RP42R4  | RP42R3  | RP42R2  | RP42R1  | RP42R0  | 0000       |
| RPOR5    | 067A  | —      | —      | RP49R5      | RP49R4  | RP49R3  | RP49R2  | RP49R1  | RP49R0  | —     | —     | RP48R5      | RP48R4  | RP48R3  | RP48R2  | RP48R1  | RP48R0  | 0000       |
| RPOR6    | 067C  | —      | —      | RP55R5      | RP55R4  | RP55R3  | RP55R2  | RP55R1  | RP55R0  | —     | —     | RP54R5      | RP54R4  | RP54R3  | RP54R2  | RP54R1  | RP54R0  | 0000       |
| RPOR7    | 067E  | —      | —      | RP57R5      | RP57R4  | RP57R3  | RP57R2  | RP57R1  | RP57R0  | —     | —     | RP56R5      | RP56R4  | RP56R3  | RP56R2  | RP56R1  | RP56R0  | 0000       |
| RPOR10   | 0684  | —      | —      | RP176R<5:0> |         |         |         |         |         |       | —     | —           | —       | —       | —       | —       | —       | 0000       |
| RPOR11   | 0686  | —      | —      | RP178R5     | RP178R4 | RP178R3 | RP178R2 | RP178R1 | RP178R0 | —     | —     | RP177R5     | RP177R4 | RP177R3 | RP177R2 | RP177R1 | RP177R0 | 0000       |
| RPOR12   | 0688  | —      | —      | RP180R5     | RP180R4 | RP180R3 | RP180R2 | RP180R1 | RP180R0 | —     | —     | RP179R5     | RP179R4 | RP179R3 | RP179R2 | RP179R1 | RP179R0 | 0000       |
| RPOR13   | 068A  | —      | —      | —           | —       | —       | —       | —       | —       | —     | —     | RP181R<5:0> |         |         |         |         |         | 0000       |

**Legend:** — = unimplemented, read as '0'. Reset values are shown in hexadecimal.

**TABLE 4-16: PERIPHERAL PIN SELECT OUTPUT REGISTER MAP FOR dsPIC33EVXXXGM006/106 DEVICES**

| SFR Name | Addr. | Bit 15 | Bit 14 | Bit 13  | Bit 12  | Bit 11  | Bit 10  | Bit 9   | Bit 8   | Bit 7 | Bit 6 | Bit 5       | Bit 4   | Bit 3   | Bit 2   | Bit 1   | Bit 0   | All Resets |
|----------|-------|--------|--------|---------|---------|---------|---------|---------|---------|-------|-------|-------------|---------|---------|---------|---------|---------|------------|
| RPOR0    | 0670  | —      | —      | RP35R5  | RP35R4  | RP35R3  | RP35R2  | RP35R1  | RP35R0  | —     | —     | RP20R5      | RP20R4  | RP20R3  | RP20R2  | RP20R1  | RP20R0  | 0000       |
| RPOR1    | 0672  | —      | —      | RP37R5  | RP37R4  | RP37R3  | RP37R2  | RP37R1  | RP37R0  | —     | —     | RP36R5      | RP36R4  | RP36R3  | RP36R2  | RP36R1  | RP36R0  | 0000       |
| RPOR2    | 0674  | —      | —      | RP39R5  | RP39R4  | RP39R3  | RP39R2  | RP39R1  | RP39R0  | —     | —     | RP38R5      | RP38R4  | RP38R3  | RP38R2  | RP38R1  | RP38R0  | 0000       |
| RPOR3    | 0676  | —      | —      | RP41R5  | RP41R4  | RP41R3  | RP41R2  | RP41R1  | RP41R0  | —     | —     | RP40R5      | RP40R4  | RP40R3  | RP40R2  | RP40R1  | RP40R0  | 0000       |
| RPOR4    | 0678  | —      | —      | RP43R5  | RP43R4  | RP43R3  | RP43R2  | RP43R1  | RP43R0  | —     | —     | RP42R5      | RP42R4  | RP42R3  | RP42R2  | RP42R1  | RP42R0  | 0000       |
| RPOR5    | 067A  | —      | —      | RP49R5  | RP49R4  | RP49R3  | RP49R2  | RP49R1  | RP49R0  | —     | —     | RP48R5      | RP48R4  | RP48R3  | RP48R2  | RP48R1  | RP48R0  | 0000       |
| RPOR6    | 067C  | —      | —      | RP55R5  | RP55R4  | RP55R3  | RP55R2  | RP55R1  | RP55R0  | —     | —     | RP54R5      | RP54R4  | RP54R3  | RP54R2  | RP54R1  | RP54R0  | 0000       |
| RPOR7    | 067E  | —      | —      | RP57R5  | RP57R4  | RP57R3  | RP57R2  | RP57R1  | RP57R0  | —     | —     | RP56R5      | RP56R4  | RP56R3  | RP56R2  | RP56R1  | RP56R0  | 0000       |
| RPOR8    | 0680  | —      | —      | RP70R5  | RP70R4  | RP70R3  | RP70R2  | RP70R1  | RP70R0  | —     | —     | RP69R5      | RP69R4  | RP69R3  | RP69R2  | RP69R1  | RP69R0  | 0000       |
| RPOR9    | 0682  | —      | —      | RP118R5 | RP118R4 | RP118R3 | RP118R2 | RP118R1 | RP118R0 | —     | —     | RP97R5      | RP97R4  | RP97R3  | RP97R2  | RP97R1  | RP97R0  | 0000       |
| RPOR10   | 0684  | —      | —      | RP176R5 | RP176R4 | RP176R3 | RP176R2 | RP176R1 | RP176R0 | —     | —     | RP120R5     | RP120R4 | RP120R3 | RP120R2 | RP120R1 | RP120R0 | 0000       |
| RPOR11   | 0686  | —      | —      | RP178R5 | RP178R4 | RP178R3 | RP178R2 | RP178R1 | RP178R0 | —     | —     | RP177R5     | RP177R4 | RP177R3 | RP177R2 | RP177R1 | RP177R0 | 0000       |
| RPOR12   | 0688  | —      | —      | RP180R5 | RP180R4 | RP180R3 | RP180R2 | RP180R1 | RP180R0 | —     | —     | RP179R5     | RP179R4 | RP179R3 | RP179R2 | RP179R1 | RP179R0 | 0000       |
| RPOR13   | 068A  | —      | —      | —       | —       | —       | —       | —       | —       | —     | —     | RP181R<5:0> |         |         |         |         | 0000    |            |

**Legend:** — = unimplemented, read as '0'. Reset values are shown in hexadecimal.

**TABLE 4-17: PERIPHERAL INPUT REMAP REGISTER MAP**

| SFR Name | Addr. | Bit 15       | Bit 14   | Bit 13   | Bit 12   | Bit 11   | Bit 10   | Bit 9    | Bit 8    | Bit 7                     | Bit 6    | Bit 5    | Bit 4    | Bit 3    | Bit 2    | Bit 1    | Bit 0    | All Resets |      |
|----------|-------|--------------|----------|----------|----------|----------|----------|----------|----------|---------------------------|----------|----------|----------|----------|----------|----------|----------|------------|------|
| RPINR0   | 06A0  | INT1R<7:0>   |          |          |          |          |          |          |          |                           | —        | —        | —        | —        | —        | —        | —        | —          | 0000 |
| RPINR1   | 06A2  | —            | —        | —        | —        | —        | —        | —        | —        | INT2R<7:0>                |          |          |          |          |          |          |          |            | 0000 |
| RPINR3   | 06A6  | —            | —        | —        | —        | —        | —        | —        | —        | T2CKR<7:0>                |          |          |          |          |          |          |          |            | 0000 |
| RPINR7   | 06AE  | IC2R7        | IC2R6    | IC2R5    | IC2R4    | IC2R3    | IC2R2    | IC2R1    | IC2R0    | IC1R7                     | IC1R6    | IC1R5    | IC1R4    | IC1R3    | IC1R2    | IC1R1    | IC1R0    | 0000       |      |
| RPINR8   | 06B0  | IC4R7        | IC4R6    | IC4R5    | IC4R4    | IC4R3    | IC4R2    | IC4R1    | IC4R0    | IC3R7                     | IC3R6    | IC3R5    | IC3R4    | IC3R3    | IC3R2    | IC3R1    | IC3R0    | 0000       |      |
| RPINR11  | 06B6  | —            | —        | —        | —        | —        | —        | —        | —        | OCFAR<7:0>                |          |          |          |          |          |          |          |            | 0000 |
| RPINR12  | 06B8  | FLT2R7       | FLT2R6   | FLT2R5   | FLT2R4   | FLT2R3   | FLT2R2   | FLT2R1   | FLT2R0   | FLT1R7                    | FLT1R6   | FLT1R5   | FLT1R4   | FLT1R3   | FLT1R2   | FLT1R1   | FLT1R0   | 0000       |      |
| RPINR18  | 06C4  | —            | —        | —        | —        | —        | —        | —        | —        | U1RXR<7:0>                |          |          |          |          |          |          |          |            | 0000 |
| RPINR19  | 06C6  | —            | —        | —        | —        | —        | —        | —        | —        | U2RXR<7:0>                |          |          |          |          |          |          |          |            | 0000 |
| RPINR22  | 06CC  | SCK2R7       | SCK2R6   | SCK2R5   | SCK2R4   | SCK2R3   | SCK2R2   | SCK2R1   | SCK2R0   | SDI2R7                    | SDI2R6   | SDI2R5   | SDI2R4   | SDI2R3   | SDI2R2   | SDI2R1   | SDI2R0   | 0000       |      |
| RPINR23  | 06CE  | —            | —        | —        | —        | —        | —        | —        | —        | SS2R<7:0>                 |          |          |          |          |          |          |          |            | 0000 |
| RPINR26  | 06D4  | —            | —        | —        | —        | —        | —        | —        | —        | C1RXR<7:0> <sup>(1)</sup> |          |          |          |          |          |          |          |            | 0000 |
| RPINR37  | 06EA  | SYNC1R<7:0>  |          |          |          |          |          |          |          |                           | —        | —        | —        | —        | —        | —        | —        | —          | 0000 |
| RPINR38  | 06EC  | DTCMP1R<7:0> |          |          |          |          |          |          |          |                           | —        | —        | —        | —        | —        | —        | —        | —          | 0000 |
| RPINR39  | 06EE  | DTCMP3R7     | DTCMP3R6 | DTCMP3R5 | DTCMP3R4 | DTCMP3R3 | DTCMP3R2 | DTCMP3R1 | DTCMP3R0 | DTCMP2R7                  | DTCMP2R6 | DTCMP2R5 | DTCMP2R4 | DTCMP2R3 | DTCMP2R2 | DTCMP2R1 | DTCMP2R0 | 0000       |      |
| RPINR44  | 06F8  | SENT1R<7:0>  |          |          |          |          |          |          |          |                           | —        | —        | —        | —        | —        | —        | —        | —          | 0000 |
| RPINR45  | 06FA  | —            | —        | —        | —        | —        | —        | —        | —        | SENT2R<7:0>               |          |          |          |          |          |          |          |            | 0000 |

**Legend:** — = unimplemented, read as '0'. Reset values are shown in hexadecimal.

**Note 1:** This feature is available only on dsPIC33EVXXGM10X devices.

**TABLE 4-18: DMT REGISTER MAP**

| SFR Name   | Addr. | Bit 15         | Bit 14 | Bit 13 | Bit 12 | Bit 11 | Bit 10 | Bit 9 | Bit 8 | Bit 7      | Bit 6 | Bit 5    | Bit 4 | Bit 3 | Bit 2 | Bit 1 | Bit 0  | All Resets |      |      |
|------------|-------|----------------|--------|--------|--------|--------|--------|-------|-------|------------|-------|----------|-------|-------|-------|-------|--------|------------|------|------|
| DMTCON     | 0700  | ON             | —      | —      | —      | —      | —      | —     | —     | —          | —     | —        | —     | —     | —     | —     | —      | 0000       |      |      |
| DMTPRECLR  | 0704  | STEP1<7:0>     |        |        |        |        |        |       |       |            | —     | —        | —     | —     | —     | —     | —      | 0000       |      |      |
| DMTCLR     | 0708  | —              | —      | —      | —      | —      | —      | —     | —     | STEP2<7:0> |       |          |       |       |       |       |        |            | 0000 |      |
| DMTSTAT    | 070C  | —              | —      | —      | —      | —      | —      | —     | —     | BAD1       | BAD2  | DMTEVENT | —     | —     | —     | —     | WINOPN | 0000       |      |      |
| DMTCNTL    | 0710  | COUNTER<15:0>  |        |        |        |        |        |       |       |            |       |          |       |       |       |       |        |            |      | 0000 |
| DMTCNTH    | 0712  | COUNTER<31:16> |        |        |        |        |        |       |       |            |       |          |       |       |       |       |        |            |      | 0000 |
| DMTHOLDREG | 0714  | UPRCNT<15:0>   |        |        |        |        |        |       |       |            |       |          |       |       |       |       |        |            |      | 0000 |
| DMTPSCNTL  | 0718  | PSCNT<15:0>    |        |        |        |        |        |       |       |            |       |          |       |       |       |       |        |            |      | 0000 |
| DMTPSCNTH  | 071A  | PSCNT<31:16>   |        |        |        |        |        |       |       |            |       |          |       |       |       |       |        |            |      | 0000 |
| DMTPSINTVL | 071C  | PSINTV<15:0>   |        |        |        |        |        |       |       |            |       |          |       |       |       |       |        |            |      | 0000 |
| DMTPSINTVH | 071E  | PSINTV<31:16>  |        |        |        |        |        |       |       |            |       |          |       |       |       |       |        |            |      | 0000 |

**Legend:** — = unimplemented, read as '0'. Reset values are shown in hexadecimal.

**TABLE 4-19: NVM REGISTER MAP**

| SFR Name   | Addr. | Bit 15          | Bit 14 | Bit 13 | Bit 12  | Bit 11 | Bit 10 | Bit 9 | Bit 8 | Bit 7            | Bit 6 | Bit 5 | Bit 4 | Bit 3  | Bit 2  | Bit 1  | Bit 0  | All Resets |      |
|------------|-------|-----------------|--------|--------|---------|--------|--------|-------|-------|------------------|-------|-------|-------|--------|--------|--------|--------|------------|------|
| NVMCON     | 0728  | WR              | WREN   | WRERR  | NVMSIDL | —      | —      | RPDF  | URERR | —                | —     | —     | —     | NVMOP3 | NVMOP2 | NVMOP1 | NVMOP0 | 0000       |      |
| NVMADR     | 072A  | NVMADR<15:0>    |        |        |         |        |        |       |       |                  |       |       |       |        |        |        |        | 0000       |      |
| NVMADRU    | 072C  | —               | —      | —      | —       | —      | —      | —     | —     | NVMADRU<23:16>   |       |       |       |        |        |        |        | 0000       |      |
| NVMKEY     | 072E  | —               | —      | —      | —       | —      | —      | —     | —     | NVMKEY<7:0>      |       |       |       |        |        |        |        | 0000       |      |
| NVMSRCADRL | 0730  | NVMSRCADR<15:1> |        |        |         |        |        |       |       |                  |       |       |       |        |        |        |        | 0          | 0000 |
| NVMSRCADRH | 0732  | —               | —      | —      | —       | —      | —      | —     | —     | NVMSRCADR<23:16> |       |       |       |        |        |        |        | 0000       |      |

**Legend:** — = unimplemented, read as '0'. Reset values are shown in hexadecimal.

**TABLE 4-20: SYSTEM CONTROL REGISTER MAP**

| SFR Name | Addr. | Bit 15 | Bit 14 | Bit 13 | Bit 12 | Bit 11 | Bit 10  | Bit 9   | Bit 8   | Bit 7       | Bit 6    | Bit 5  | Bit 4    | Bit 3   | Bit 2   | Bit 1   | Bit 0   | All Resets |
|----------|-------|--------|--------|--------|--------|--------|---------|---------|---------|-------------|----------|--------|----------|---------|---------|---------|---------|------------|
| RCON     | 0740  | TRAPR  | IOPUWR | —      | —      | VREGSF | —       | CM      | VREGS   | EXTR        | SWR      | SWDTEN | WDTO     | SLEEP   | IDLE    | BOR     | POR     | Note 1     |
| OSCCON   | 0742  | —      | COSC2  | COSC1  | COSC0  | —      | NOSC2   | NOSC1   | NOSC0   | CLKLOCK     | IOLOCK   | LOCK   | —        | CF      | —       | —       | OSWEN   | Note 2     |
| CLKDIV   | 0744  | ROI    | DOZE2  | DOZE1  | DOZE0  | DOZEN  | FRCDIV2 | FRCDIV1 | FRCDIV0 | PLLPOST1    | PLLPOST0 | —      | PLLPRE4  | PLLPRE3 | PLLPRE2 | PLLPRE1 | PLLPRE0 | 0000       |
| PLLFBD   | 0746  | —      | —      | —      | —      | —      | —       | —       | —       | PLLDIV<8:0> |          |        |          |         |         |         |         | 0000       |
| OSCTUN   | 0748  | —      | —      | —      | —      | —      | —       | —       | —       | —           | —        | —      | TUN<5:0> |         |         |         |         | 0000       |

**Legend:** — = unimplemented, read as '0'. Reset values are shown in hexadecimal.

**Note 1:** RCON register Reset values are dependent on the type of Reset.

**2:** OSCCON register Reset values are dependent on the Configuration fuses.

**TABLE 4-21: REFERENCE CLOCK REGISTER MAP**

| SFR Name | Addr. | Bit 15 | Bit 14 | Bit 13 | Bit 12 | Bit 11 | Bit 10 | Bit 9  | Bit 8  | Bit 7 | Bit 6 | Bit 5 | Bit 4 | Bit 3 | Bit 2 | Bit 1 | Bit 0 | All Resets |
|----------|-------|--------|--------|--------|--------|--------|--------|--------|--------|-------|-------|-------|-------|-------|-------|-------|-------|------------|
| REFOCON  | 074E  | ROON   | —      | ROSSLP | ROSEL  | RODIV3 | RODIV2 | RODIV1 | RODIV0 | —     | —     | —     | —     | —     | —     | —     | —     | 0000       |

**Legend:** — = unimplemented, read as '0'. Reset values are shown in hexadecimal.

**TABLE 4-22: PMD REGISTER MAP FOR dsPIC33EVXXXGM00X/10X FAMILY DEVICES**

| SFR Name | Addr. | Bit 15 | Bit 14 | Bit 13 | Bit 12  | Bit 11  | Bit 10 | Bit 9  | Bit 8  | Bit 7  | Bit 6 | Bit 5 | Bit 4  | Bit 3  | Bit 2  | Bit 1               | Bit 0 | All Resets |
|----------|-------|--------|--------|--------|---------|---------|--------|--------|--------|--------|-------|-------|--------|--------|--------|---------------------|-------|------------|
| PMD1     | 0760  | T5MD   | T4MD   | T3MD   | T2MD    | T1MD    | —      | PWMMD  | —      | I2C1MD | U2MD  | U1MD  | SPI2MD | SPI1MD | —      | C1MD <sup>(1)</sup> | AD1MD | 0000       |
| PMD2     | 0762  | —      | —      | —      | —       | IC4MD   | IC3MD  | IC2MD  | IC1MD  | —      | —     | —     | —      | OC4MD  | OC3MD  | OC2MD               | OC1MD | 0000       |
| PMD3     | 0764  | —      | —      | —      | —       | —       | CMPMD  | —      | —      | —      | —     | —     | —      | —      | —      | —                   | —     | 0000       |
| PMD4     | 0766  | —      | —      | —      | —       | —       | —      | —      | —      | —      | —     | —     | —      | REFOMD | CTMUMD | —                   | —     | 0000       |
| PMD6     | 076A  | —      | —      | —      | —       | —       | PWM3MD | PWM2MD | PWM1MD | —      | —     | —     | —      | —      | —      | —                   | —     | 0000       |
| PMD7     | 076C  | —      | —      | —      | —       | —       | —      | —      | —      | —      | —     | —     | DMA0MD | —      | —      | —                   | —     | 0000       |
|          |       |        |        |        |         |         |        |        |        |        |       |       | DMA1MD |        |        |                     |       |            |
|          |       |        |        |        |         |         |        |        |        |        |       |       | DMA2MD |        |        |                     |       |            |
|          |       |        |        |        |         |         |        |        |        |        |       |       | DMA3MD |        |        |                     |       |            |
| PMD8     | 076E  | —      | —      | —      | SENT2MD | SENT1MD | —      | —      | DMTMD  | —      | —     | —     | —      | —      | —      | —                   | —     | 0000       |

**Legend:** — = unimplemented, read as '0'. Reset values are shown in hexadecimal.

**Note 1:** This feature is available only on dsPIC33EVXXXGM10X devices.

**TABLE 4-23: INTERRUPT CONTROLLER REGISTER MAP FOR dsPIC33EVXXXGM00X/10X FAMILY DEVICES**

| SFR Name | Addr. | Bit 15 | Bit 14  | Bit 13   | Bit 12  | Bit 11 | Bit 10                     | Bit 9                  | Bit 8                  | Bit 7   | Bit 6                 | Bit 5    | Bit 4    | Bit 3 | Bit 2                 | Bit 1    | Bit 0    | All Resets |
|----------|-------|--------|---------|----------|---------|--------|----------------------------|------------------------|------------------------|---------|-----------------------|----------|----------|-------|-----------------------|----------|----------|------------|
| IFS0     | 0800  | NVMIF  | DMA1IF  | AD1IF    | U1TXIF  | U1RXIF | SPI1IF                     | SPI1EIF                | T3IF                   | T2IF    | OC2IF                 | IC2IF    | DMA0IF   | T1IF  | OC1IF                 | IC1IF    | INT0IF   | 0000       |
| IFS1     | 0802  | U2TXIF | U2RXIF  | INT2IF   | T5IF    | T4IF   | OC4IF                      | OC3IF                  | DMA2IF                 | —       | —                     | —        | INT1IF   | CNIF  | CMPIF                 | MI2C1IF  | SI2C1IF  | 0000       |
| IFS2     | 0804  | —      | —       | —        | —       | —      | —                          | —                      | —                      | —       | IC4IF                 | IC3IF    | DMA3IF   | C1IF  | C1RXIF <sup>(1)</sup> | SPI2IF   | SPI2EIF  | 0000       |
| IFS3     | 0806  | —      | —       | —        | —       | —      | —                          | PSEMIF                 | —                      | —       | —                     | —        | —        | —     | —                     | —        | —        | 0000       |
| IFS4     | 0808  | —      | —       | CTMUIF   | —       | —      | —                          | —                      | —                      | —       | C1TXIF <sup>(1)</sup> | —        | —        | —     | U2EIF                 | U1EIF    | —        | 0000       |
| IFS5     | 080A  | PWM2IF | PWM1IF  | —        | —       | —      | —                          | —                      | —                      | —       | —                     | —        | —        | —     | —                     | —        | —        | 0000       |
| IFS6     | 080C  | —      | —       | —        | —       | —      | —                          | —                      | —                      | —       | —                     | —        | —        | —     | —                     | —        | PWM3IF   | 0000       |
| IFS8     | 0810  | —      | ICDIF   | —        | —       | —      | —                          | —                      | —                      | —       | —                     | —        | —        | —     | —                     | —        | —        | 0000       |
| IFS10    | 0814  | —      | —       | I2C1BCIF | —       | —      | —                          | —                      | —                      | —       | —                     | —        | —        | —     | —                     | —        | —        | 0000       |
| IFS11    | 0816  | —      | —       | —        | —       | —      | ECCSBEIF                   | SENT2IF                | SENT2EIF               | SENT1IF | SENT1EIF              | —        | —        | —     | —                     | —        | —        | 0000       |
| IEC0     | 0820  | NVMIE  | DMA1IE  | AD1IE    | U1TXIE  | U1RXIE | SPI1IE                     | SPI1EIE                | T3IE                   | T2IE    | OC2IE                 | IC2IE    | DMA0IE   | T1IE  | OC1IE                 | IC1IE    | INT0IE   | 0000       |
| IEC1     | 0822  | U2TXIE | U2RXIE  | INT2IE   | T5IE    | T4IE   | OC4IE                      | OC3IE                  | DMA2IE                 | —       | —                     | —        | INT1IE   | CNIE  | CMPIE                 | MI2C1IE  | SI2C1IE  | 0000       |
| IEC2     | 0824  | —      | —       | —        | —       | —      | —                          | —                      | —                      | —       | IC4IE                 | IC3IE    | DMA3IE   | C1IE  | C1RXIE <sup>(1)</sup> | SPI2IE   | SPI2EIE  | 0000       |
| IEC3     | 0826  | —      | —       | —        | —       | —      | —                          | PSEMIE                 | —                      | —       | —                     | —        | —        | —     | —                     | —        | —        | 0000       |
| IEC4     | 0828  | —      | —       | CTMUIE   | —       | —      | —                          | —                      | —                      | —       | C1TXIE <sup>(1)</sup> | —        | —        | —     | U2EIE                 | U1EIE    | —        | 0000       |
| IEC5     | 082A  | PWM2IE | PWM1IE  | —        | —       | —      | —                          | —                      | —                      | —       | —                     | —        | —        | —     | —                     | —        | —        | 0000       |
| IEC6     | 082C  | —      | —       | —        | —       | —      | —                          | —                      | —                      | —       | —                     | —        | —        | —     | —                     | —        | PWM3IE   | 0000       |
| IEC8     | 0830  | —      | ICDIE   | —        | —       | —      | —                          | —                      | —                      | —       | —                     | —        | —        | —     | —                     | —        | —        | 0000       |
| IEC10    | 0834  | —      | —       | I2C1BCIE | —       | —      | —                          | —                      | —                      | —       | —                     | —        | —        | —     | —                     | —        | —        | 0000       |
| IEC11    | 0836  | —      | —       | —        | —       | —      | ECCSBEIE                   | SENT2IE                | SENT2EIE               | SENT1IE | SENT1EIE              | —        | —        | —     | —                     | —        | —        | 0000       |
| IPC0     | 0840  | —      | T1IP2   | T1IP1    | T1IP0   | —      | OC1IP2                     | OC1IP1                 | OC1IP0                 | —       | IC1IP2                | IC1IP1   | IC1IP0   | —     | INT0IP2               | INT0IP1  | INT0IP0  | 4444       |
| IPC1     | 0842  | —      | T2IP2   | T2IP1    | T2IP0   | —      | OC2IP2                     | OC2IP1                 | OC2IP0                 | —       | IC2IP2                | IC2IP1   | IC2IP0   | —     | DMA0IP2               | DMA0IP1  | DMA0IP0  | 4444       |
| IPC2     | 0844  | —      | U1RXIP2 | U1RXIP1  | U1RXIP0 | —      | SPI1IP2                    | SPI1IP1                | SPI1IP0                | —       | SPI1EIP2              | SPI1EIP1 | SPI1EIP0 | —     | T3IP2                 | T3IP1    | T3IP0    | 4444       |
| IPC3     | 0846  | —      | NVMIP2  | NVMIP1   | NVMIP0  | —      | DMA1IP2                    | DMA1IP1                | DMA1IP0                | —       | AD1IP2                | AD1IP1   | AD1IP0   | —     | U1TXIP2               | U1TXIP1  | U1TXIP0  | 4444       |
| IPC4     | 0848  | —      | CNIP2   | CNIP1    | CNIP0   | —      | CMPIP2                     | CMPIP1                 | CMPIP0                 | —       | MI2C1IP2              | MI2C1IP1 | MI2C1IP0 | —     | SI2C1IP2              | SI2C1IP1 | SI2C1IP0 | 4444       |
| IPC5     | 084A  | —      | —       | —        | —       | —      | —                          | —                      | —                      | —       | —                     | —        | —        | —     | INT1IP<2:0>           |          |          | 0004       |
| IPC6     | 084C  | —      | T4IP2   | T4IP1    | T4IP0   | —      | OC4IP2                     | OC4IP1                 | OC4IP0                 | —       | OC3IP2                | OC3IP1   | OC3IP0   | —     | DMA2IP2               | DMA2IP1  | DMA2IP0  | 4444       |
| IPC7     | 084E  | —      | U2TXIP2 | U2TXIP1  | U2TXIP0 | —      | U2RXIP2                    | U2RXIP1                | U2RXIP0                | —       | INT2IP2               | INT2IP1  | INT2IP0  | —     | T5IP2                 | T5IP1    | T5IP0    | 4444       |
| IPC8     | 0850  | —      | C1IP2   | C1IP1    | C1IP0   | —      | C1RXIP2 <sup>(1)</sup>     | C1RXIP1 <sup>(1)</sup> | C1RXIP0 <sup>(1)</sup> | —       | SPI2IP2               | SPI2IP1  | SPI2IP0  | —     | SPI2EIP2              | SPI2EIP1 | SPI2EIP0 | 4444       |
| IPC9     | 0852  | —      | —       | —        | —       | —      | IC4IP2                     | IC4IP1                 | IC4IP0                 | —       | IC3IP2                | IC3IP1   | IC3IP0   | —     | DMA3IP2               | DMA3IP1  | DMA3IP0  | 0444       |
| IPC14    | 085C  | —      | —       | —        | —       | —      | —                          | —                      | —                      | —       | PSEMIP<2:0>           |          |          | —     | —                     | —        | —        | 0040       |
| IPC16    | 0860  | —      | —       | —        | —       | —      | U2EIP2                     | U2EIP1                 | U2EIP0                 | —       | U1EIP2                | U1EIP1   | U1EIP0   | —     | —                     | —        | —        | 0440       |
| IPC17    | 0862  | —      | —       | —        | —       | —      | C1TXIP<2:0> <sup>(1)</sup> |                        |                        | —       | —                     | —        | —        | —     | —                     | —        | —        | 0400       |

**Legend:** — = unimplemented, read as '0' Reset values are shown in hexadecimal.

**Note 1:** This feature is available only on dsPIC33EVXXXGM10X devices.

TABLE 4-23: INTERRUPT CONTROLLER REGISTER MAP FOR dsPIC33EVXXXGM00X/10X FAMILY DEVICES (CONTINUED)

| SFR Name | Addr. | Bit 15 | Bit 14   | Bit 13   | Bit 12   | Bit 11  | Bit 10     | Bit 9     | Bit 8     | Bit 7    | Bit 6         | Bit 5    | Bit 4    | Bit 3   | Bit 2       | Bit 1     | Bit 0     | All Resets |
|----------|-------|--------|----------|----------|----------|---------|------------|-----------|-----------|----------|---------------|----------|----------|---------|-------------|-----------|-----------|------------|
| IPC19    | 0866  | —      | —        | —        | —        | —       | —          | —         | —         | —        | CTMUIP<2:0>   |          |          | —       | —           | —         | —         | 0040       |
| IPC23    | 086E  | —      | PWM2IP2  | PWM2IP1  | PWM2IP0  | —       | PWM1IP2    | PWM1IP1   | PWM1IP0   | —        | —             | —        | —        | —       | —           | —         | —         | 4400       |
| IPC24    | 0870  | —      | —        | —        | —        | —       | —          | —         | —         | —        | —             | —        | —        | —       | PWM3IP<2:0> |           |           | 0004       |
| IPC35    | 0886  | —      | —        | —        | —        | —       | ICDIP<2:0> |           |           | —        | —             | —        | —        | —       | —           | —         | —         | 0400       |
| IPC43    | 0896  | —      | —        | —        | —        | —       | —          | —         | —         | —        | I2C1BCIP<2:0> |          |          | —       | —           | —         | —         | 0040       |
| IPC45    | 089A  | —      | SENT1IP2 | SENT1IP1 | SENT1IP0 | —       | SENT1EIP2  | SENT1EIP1 | SENT1EIP0 | —        | —             | —        | —        | —       | —           | —         | —         | 4400       |
| IPC46    | 089C  | —      | —        | —        | —        | —       | ECCSBEIP2  | ECCSBEIP1 | ECCSBEIP0 | —        | SENT2IP2      | SENT2IP1 | SENT2IP0 | —       | SENT2EIP2   | SENT2EIP1 | SENT2EIP0 | 0444       |
| INTCON1  | 08C0  | NSTDIS | OVAERR   | OVBERR   | COVAERR  | COVBERR | OVATE      | OVBTE     | COVTE     | SFTACERR | DIV0ERR       | DMACERR  | MATHERR  | ADDRERR | STKERR      | OSCFAIL   | —         | 0000       |
| INTCON2  | 08C2  | GIE    | DISI     | SWTRAP   | —        | —       | —          | —         | AIVTEN    | —        | —             | —        | —        | —       | INT2EP      | INT1EP    | INT0EP    | 0000       |
| INTCON3  | 08C4  | DMT    | —        | —        | —        | —       | —          | —         | —         | —        | —             | DAE      | DOOVR    | —       | —           | —         | —         | 0000       |
| INTCON4  | 08C6  | —      | —        | —        | —        | —       | —          | —         | —         | —        | —             | —        | —        | —       | —           | ECCDBE    | SGHT      | 0000       |
| INTTREG  | 08C8  | —      | —        | —        | —        | —       | ILR3       | ILR2      | ILR1      | VECNUM7  | VECNUM6       | VECNUM5  | VECNUM4  | VECNUM3 | VECNUM2     | VECNUM1   | VECNUM0   | 0000       |

**Legend:** — = unimplemented, read as '0' Reset values are shown in hexadecimal.

**Note 1:** This feature is available only on dsPIC33EVXXXGM10X devices.



**TABLE 4-24: OUTPUT COMPARE REGISTER MAP**

| SFR Name | Addr. | Bit 15                                | Bit 14 | Bit 13   | Bit 12  | Bit 11  | Bit 10  | Bit 9 | Bit 8 | Bit 7  | Bit 6    | Bit 5  | Bit 4    | Bit 3    | Bit 2    | Bit 1    | Bit 0    | All Resets |
|----------|-------|---------------------------------------|--------|----------|---------|---------|---------|-------|-------|--------|----------|--------|----------|----------|----------|----------|----------|------------|
| OC1CON1  | 0900  | —                                     | —      | OCSIDL   | OCTSEL2 | OCTSEL1 | OCTSEL0 | —     | —     | ENFLTA | —        | —      | OCFLTA   | TRIGMODE | OCM2     | OCM1     | OCM0     | 0000       |
| OC1CON2  | 0902  | FLTMD                                 | FLTOUT | FLTTRIEN | OCINV   | —       | —       | —     | OC32  | OCTRIG | TRIGSTAT | OCTRIS | SYNCSEL4 | SYNCSEL3 | SYNCSEL2 | SYNCSEL1 | SYNCSEL0 | 000C       |
| OC1RS    | 0904  | Output Compare 1 Secondary Register   |        |          |         |         |         |       |       |        |          |        |          |          |          |          |          | xxxx       |
| OC1R     | 0906  | Output Compare 1 Register             |        |          |         |         |         |       |       |        |          |        |          |          |          |          |          | xxxx       |
| OC1TMR   | 0908  | Output Compare 1 Timer Value Register |        |          |         |         |         |       |       |        |          |        |          |          |          |          |          | xxxx       |
| OC2CON1  | 090A  | —                                     | —      | OCSIDL   | OCTSEL2 | OCTSEL1 | OCTSEL0 | —     | —     | ENFLTA | —        | —      | OCFLTA   | TRIGMODE | OCM2     | OCM1     | OCM0     | 0000       |
| OC2CON2  | 090C  | FLTMD                                 | FLTOUT | FLTTRIEN | OCINV   | —       | —       | —     | OC32  | OCTRIG | TRIGSTAT | OCTRIS | SYNCSEL4 | SYNCSEL3 | SYNCSEL2 | SYNCSEL1 | SYNCSEL0 | 000C       |
| OC2RS    | 090E  | Output Compare 2 Secondary Register   |        |          |         |         |         |       |       |        |          |        |          |          |          |          |          | xxxx       |
| OC2R     | 0910  | Output Compare 2 Register             |        |          |         |         |         |       |       |        |          |        |          |          |          |          |          | xxxx       |
| OC2TMR   | 0912  | Output Compare 2 Timer Value Register |        |          |         |         |         |       |       |        |          |        |          |          |          |          |          | xxxx       |
| OC3CON1  | 0914  | —                                     | —      | OCSIDL   | OCTSEL2 | OCTSEL1 | OCTSEL0 | —     | —     | ENFLTA | —        | —      | OCFLTA   | TRIGMODE | OCM2     | OCM1     | OCM0     | 0000       |
| OC3CON2  | 0916  | FLTMD                                 | FLTOUT | FLTTRIEN | OCINV   | —       | —       | —     | OC32  | OCTRIG | TRIGSTAT | OCTRIS | SYNCSEL4 | SYNCSEL3 | SYNCSEL2 | SYNCSEL1 | SYNCSEL0 | 000C       |
| OC3RS    | 0918  | Output Compare 3 Secondary Register   |        |          |         |         |         |       |       |        |          |        |          |          |          |          |          | xxxx       |
| OC3R     | 091A  | Output Compare 3 Register             |        |          |         |         |         |       |       |        |          |        |          |          |          |          |          | xxxx       |
| OC3TMR   | 091C  | Output Compare 3 Timer Value Register |        |          |         |         |         |       |       |        |          |        |          |          |          |          |          | xxxx       |
| OC4CON1  | 091E  | —                                     | —      | OCSIDL   | OCTSEL2 | OCTSEL1 | OCTSEL0 | —     | —     | ENFLTA | —        | —      | OCFLTA   | TRIGMODE | OCM2     | OCM1     | OCM0     | 0000       |
| OC4CON2  | 0920  | FLTMD                                 | FLTOUT | FLTTRIEN | OCINV   | —       | —       | —     | OC32  | OCTRIG | TRIGSTAT | OCTRIS | SYNCSEL4 | SYNCSEL3 | SYNCSEL2 | SYNCSEL1 | SYNCSEL0 | 000C       |
| OC4RS    | 0922  | Output Compare 4 Secondary Register   |        |          |         |         |         |       |       |        |          |        |          |          |          |          |          | xxxx       |
| OC4R     | 0924  | Output Compare 4 Register             |        |          |         |         |         |       |       |        |          |        |          |          |          |          |          | xxxx       |
| OC4TMR   | 0926  | Output Compare 4 Timer Value Register |        |          |         |         |         |       |       |        |          |        |          |          |          |          |          | xxxx       |

**Legend:** x = unknown value on Reset; — = unimplemented, read as '0'. Reset values are shown in hexadecimal.

**TABLE 4-25: OP AMP/COMPARATOR REGISTER MAP**

| SFR Name  | Addr. | Bit 15 | Bit 14               | Bit 13 | Bit 12 | Bit 11   | Bit 10   | Bit 9    | Bit 8    | Bit 7    | Bit 6    | Bit 5    | Bit 4    | Bit 3    | Bit 2    | Bit 1    | Bit 0    | All Resets |
|-----------|-------|--------|----------------------|--------|--------|----------|----------|----------|----------|----------|----------|----------|----------|----------|----------|----------|----------|------------|
| CMSTAT    | 0A80  | PSIDL  | —                    | —      | C5EVT  | C4EVT    | C3EVT    | C2EVT    | C1EVT    | —        | —        | —        | C5OUT    | C4OUT    | C3OUT    | C2OUT    | C1OUT    | 0000       |
| CVR1CON   | 0A82  | CVREN  | CVROE                | —      | —      | CVRSS    | VREFSEL  | —        | —        | —        | CVR6     | CVR5     | CVR4     | CVR3     | CVR2     | CVR1     | CVR0     | 0000       |
| CM1CON    | 0A84  | CON    | COE                  | CPOL   | —      | —        | OPAEN    | CEVT     | COUT     | EVPOL1   | EVPOL0   | —        | CREF     | —        | —        | CCH1     | CCH0     | 0000       |
| CM1MSKSRC | 0A86  | —      | —                    | —      | —      | SELSRCC3 | SELSRCC2 | SELSRCC1 | SELSRCC0 | SELSRCB3 | SELSRCB2 | SELSRCB1 | SELSRCB0 | SELSRCA3 | SELSRCA2 | SELSRCA1 | SELSRCA0 | 0000       |
| CM1MSKCON | 0A88  | HLMS   | —                    | OCEN   | OCNEN  | OBEN     | OBNEN    | OAEN     | OANEN    | NAGS     | PAGS     | ACEN     | ACNEN    | ABEN     | ABNEN    | AAEN     | AANEN    | 0000       |
| CM1FLTR   | 0A8A  | —      | —                    | —      | —      | —        | —        | —        | —        | —        | CFSEL2   | CFSEL1   | CFSEL0   | CFLTREN  | CFDIV2   | CFDIV1   | CFDIV0   | 0000       |
| CM2CON    | 0A8C  | CON    | COE                  | CPOL   | —      | —        | OPAEN    | CEVT     | COUT     | EVPOL1   | EVPOL0   | —        | CREF     | —        | —        | CCH1     | CCH0     | 0000       |
| CM2MSKSRC | 0A8E  | —      | —                    | —      | —      | SELSRCC3 | SELSRCC2 | SELSRCC1 | SELSRCC0 | SELSRCB3 | SELSRCB2 | SELSRCB1 | SELSRCB0 | SELSRCA3 | SELSRCA2 | SELSRCA1 | SELSRCA0 | 0000       |
| CM2MSKCON | 0A90  | HLMS   | —                    | OCEN   | OCNEN  | OBEN     | OBNEN    | OAEN     | OANEN    | NAGS     | PAGS     | ACEN     | ACNEN    | ABEN     | ABNEN    | AAEN     | AANEN    | 0000       |
| CM2FLTR   | 0A92  | —      | —                    | —      | —      | —        | —        | —        | —        | —        | CFSEL2   | CFSEL1   | CFSEL0   | CFLTREN  | CFDIV2   | CFDIV1   | CFDIV0   | 0000       |
| CM3CON    | 0A94  | CON    | COE                  | CPOL   | —      | —        | OPAEN    | CEVT     | COUT     | EVPOL1   | EVPOL0   | —        | CREF     | —        | —        | CCH1     | CCH0     | 0000       |
| CM3MSKSRC | 0A96  | —      | —                    | —      | —      | SELSRCC3 | SELSRCC2 | SELSRCC1 | SELSRCC0 | SELSRCB3 | SELSRCB2 | SELSRCB1 | SELSRCB0 | SELSRCA3 | SELSRCA2 | SELSRCA1 | SELSRCA0 | 0000       |
| CM3MSKCON | 0A98  | HLMS   | —                    | OCEN   | OCNEN  | OBEN     | OBNEN    | OAEN     | OANEN    | NAGS     | PAGS     | ACEN     | ACNEN    | ABEN     | ABNEN    | AAEN     | AANEN    | 0000       |
| CM3FLTR   | 0A9A  | —      | —                    | —      | —      | —        | —        | —        | —        | —        | CFSEL2   | CFSEL1   | CFSEL0   | CFLTREN  | CFDIV2   | CFDIV1   | CFDIV0   | 0000       |
| CM4CON    | 0A9C  | CON    | COE                  | CPOL   | —      | —        | —        | CEVT     | COUT     | EVPOL1   | EVPOL0   | —        | CREF     | —        | —        | CCH1     | CCH0     | 0000       |
| CM4MSKSRC | 0A9E  | —      | —                    | —      | —      | SELSRCC3 | SELSRCC2 | SELSRCC1 | SELSRCC0 | SELSRCB3 | SELSRCB2 | SELSRCB1 | SELSRCB0 | SELSRCA3 | SELSRCA2 | SELSRCA1 | SELSRCA0 | 0000       |
| CM4MSKCON | 0AA0  | HLMS   | —                    | OCEN   | OCNEN  | OBEN     | OBNEN    | OAEN     | OANEN    | NAGS     | PAGS     | ACEN     | ACNEN    | ABEN     | ABNEN    | AAEN     | AANEN    | 0000       |
| CM4FLTR   | 0AA2  | —      | —                    | —      | —      | —        | —        | —        | —        | —        | CFSEL2   | CFSEL1   | CFSEL0   | CFLTREN  | CFDIV2   | CFDIV1   | CFDIV0   | 0000       |
| CM5CON    | 0AA4  | CON    | COE                  | CPOL   | —      | —        | OPAEN    | CEVT     | COUT     | EVPOL1   | EVPOL0   | —        | CREF     | —        | —        | CCH1     | CCH0     | 0000       |
| CM5MSKSRC | 0AA6  | —      | —                    | —      | —      | SELSRCC3 | SELSRCC2 | SELSRCC1 | SELSRCC0 | SELSRCB3 | SELSRCB2 | SELSRCB1 | SELSRCB0 | SELSRCA3 | SELSRCA2 | SELSRCA1 | SELSRCA0 | 0000       |
| CM5MSKCON | 0AA8  | HLMS   | —                    | OCEN   | OCNEN  | OBEN     | OBNEN    | OAEN     | OANEN    | NAGS     | PAGS     | ACEN     | ACNEN    | ABEN     | ABNEN    | AAEN     | AANEN    | 0000       |
| CM5FLTR   | 0AAA  | —      | —                    | —      | —      | —        | —        | —        | —        | —        | CFSEL2   | CFSEL1   | CFSEL0   | CFLTREN  | CFDIV2   | CFDIV1   | CFDIV0   | 0000       |
| CVR2CON   | 0AB4  | CVREN  | CVROE <sup>(1)</sup> | —      | —      | CVRSS    | VREFSEL  | —        | —        | —        | CVR6     | CVR5     | CVR4     | CVR3     | CVR2     | CVR1     | CVR0     | 0000       |

**Legend:** — = unimplemented, read as '0'. Reset values are shown in hexadecimal.

**Note 1:** CVROE (CVR2CON<14>) is not available on 28-pin devices.

**TABLE 4-26: DMAC REGISTER MAP**

| SFR Name | Addr. | Bit 15    | Bit 14 | Bit 13    | Bit 12 | Bit 11 | Bit 10 | Bit 9 | Bit 8 | Bit 7      | Bit 6   | Bit 5   | Bit 4   | Bit 3      | Bit 2   | Bit 1   | Bit 0   | All Resets |
|----------|-------|-----------|--------|-----------|--------|--------|--------|-------|-------|------------|---------|---------|---------|------------|---------|---------|---------|------------|
| DMA0CON  | 0B00  | CHEN      | SIZE   | DIR       | HALF   | NULLW  | —      | —     | —     | —          | —       | AMODE1  | AMODE0  | —          | —       | MODE1   | MODE0   | 0000       |
| DMA0REQ  | 0B02  | FORCE     | —      | —         | —      | —      | —      | —     | —     | IRQSEL7    | IRQSEL6 | IRQSEL5 | IRQSEL4 | IRQSEL3    | IRQSEL2 | IRQSEL1 | IRQSEL0 | 00FF       |
| DMA0STAL | 0B04  | STA<15:0> |        |           |        |        |        |       |       |            |         |         |         |            |         |         |         | 0000       |
| DMA0STAH | 0B06  | —         | —      | —         | —      | —      | —      | —     | —     | STA<23:16> |         |         |         |            |         |         |         | 0000       |
| DMA0STBL | 0B08  | STB<15:0> |        |           |        |        |        |       |       |            |         |         |         |            |         |         |         | 0000       |
| DMA0STBH | 0B0A  | —         | —      | —         | —      | —      | —      | —     | —     | STB<23:16> |         |         |         |            |         |         |         | 0000       |
| DMA0PAD  | 0B0C  | PAD<15:0> |        |           |        |        |        |       |       |            |         |         |         |            |         |         |         | 0000       |
| DMA0CNT  | 0B0E  | —         | —      | CNT<13:0> |        |        |        |       |       |            |         |         |         |            |         |         |         | 0000       |
| DMA1CON  | 0B10  | CHEN      | SIZE   | DIR       | HALF   | NULLW  | —      | —     | —     | —          | —       | AMODE1  | AMODE0  | —          | —       | MODE1   | MODE0   | 0000       |
| DMA1REQ  | 0B12  | FORCE     | —      | —         | —      | —      | —      | —     | —     | IRQSEL7    | IRQSEL6 | IRQSEL5 | IRQSEL4 | IRQSEL3    | IRQSEL2 | IRQSEL1 | IRQSEL0 | 00FF       |
| DMA1STAL | 0B14  | STA<15:0> |        |           |        |        |        |       |       |            |         |         |         |            |         |         |         | 0000       |
| DMA1STAH | 0B16  | —         | —      | —         | —      | —      | —      | —     | —     | STA<23:16> |         |         |         |            |         |         |         | 0000       |
| DMA1STBL | 0B18  | STB<15:0> |        |           |        |        |        |       |       |            |         |         |         |            |         |         |         | 0000       |
| DMA1STBH | 0B1A  | —         | —      | —         | —      | —      | —      | —     | —     | STB<23:16> |         |         |         |            |         |         |         | 0000       |
| DMA1PAD  | 0B1C  | PAD<15:0> |        |           |        |        |        |       |       |            |         |         |         |            |         |         |         | 0000       |
| DMA1CNT  | 0B1E  | —         | —      | CNT<13:0> |        |        |        |       |       |            |         |         |         |            |         |         |         | 0000       |
| DMA2CON  | 0B20  | CHEN      | SIZE   | DIR       | HALF   | NULLW  | —      | —     | —     | —          | —       | AMODE1  | AMODE0  | —          | —       | MODE1   | MODE0   | 0000       |
| DMA2REQ  | 0B22  | FORCE     | —      | —         | —      | —      | —      | —     | —     | IRQSEL7    | IRQSEL6 | IRQSEL5 | IRQSEL4 | IRQSEL3    | IRQSEL2 | IRQSEL1 | IRQSEL0 | 00FF       |
| DMA2STAL | 0B24  | STA<15:0> |        |           |        |        |        |       |       |            |         |         |         |            |         |         |         | 0000       |
| DMA2STAH | 0B26  | —         | —      | —         | —      | —      | —      | —     | —     | STA<23:16> |         |         |         |            |         |         |         | 0000       |
| DMA2STBL | 0B28  | STB<15:0> |        |           |        |        |        |       |       |            |         |         |         |            |         |         |         | 0000       |
| DMA2STBH | 0B2A  | —         | —      | —         | —      | —      | —      | —     | —     | STB<23:16> |         |         |         |            |         |         |         | 0000       |
| DMA2PAD  | 0B2C  | PAD<15:0> |        |           |        |        |        |       |       |            |         |         |         |            |         |         |         | 0000       |
| DMA2CNT  | 0B2E  | —         | —      | CNT<13:0> |        |        |        |       |       |            |         |         |         |            |         |         |         | 0000       |
| DMA3CON  | 0B30  | CHEN      | SIZE   | DIR       | HALF   | NULLW  | —      | —     | —     | —          | —       | AMODE1  | AMODE0  | —          | —       | MODE1   | MODE0   | 0000       |
| DMA3REQ  | 0B32  | FORCE     | —      | —         | —      | —      | —      | —     | —     | IRQSEL7    | IRQSEL6 | IRQSEL5 | IRQSEL4 | IRQSEL3    | IRQSEL2 | IRQSEL1 | IRQSEL0 | 00FF       |
| DMA3STAL | 0B34  | STA<15:0> |        |           |        |        |        |       |       |            |         |         |         |            |         |         |         | 0000       |
| DMA3STAH | 0B36  | —         | —      | —         | —      | —      | —      | —     | —     | STA<23:16> |         |         |         |            |         |         |         | 0000       |
| DMA3STBL | 0B38  | STB<15:0> |        |           |        |        |        |       |       |            |         |         |         |            |         |         |         | 0000       |
| DMA3STBH | 0B3A  | —         | —      | —         | —      | —      | —      | —     | —     | STB<23:16> |         |         |         |            |         |         |         | 0000       |
| DMA3PAD  | 0B3C  | PAD<15:0> |        |           |        |        |        |       |       |            |         |         |         |            |         |         |         | 0000       |
| DMA3CNT  | 0B3E  | —         | —      | CNT<13:0> |        |        |        |       |       |            |         |         |         |            |         |         |         | 0000       |
| DMAPWC   | 0BF0  | —         | —      | —         | —      | —      | —      | —     | —     | —          | —       | —       | —       | PWCOL<3:0> |         |         |         | 0000       |
| DMARQC   | 0BF2  | —         | —      | —         | —      | —      | —      | —     | —     | —          | —       | —       | —       | RQCOL<3:0> |         |         |         | 0000       |
| DMAPPS   | 0BF4  | —         | —      | —         | —      | —      | —      | —     | —     | —          | —       | —       | —       | PPST<3:0>  |         |         |         | 0000       |

**Legend:** — = unimplemented, read as '0'. Reset values are shown in hexadecimal.

**TABLE 4-26: DMAC REGISTER MAP (CONTINUED)**

| SFR Name | Addr. | Bit 15      | Bit 14 | Bit 13 | Bit 12 | Bit 11 | Bit 10 | Bit 9 | Bit 8 | Bit 7 | Bit 6 | Bit 5 | Bit 4 | Bit 3        | Bit 2 | Bit 1 | Bit 0 | All Resets |
|----------|-------|-------------|--------|--------|--------|--------|--------|-------|-------|-------|-------|-------|-------|--------------|-------|-------|-------|------------|
| DMALCA   | 0BF6  | —           | —      | —      | —      | —      | —      | —     | —     | —     | —     | —     | —     | LSTCH<3:0>   |       |       |       | 000F       |
| DSADRL   | 0BF8  | DSADR<15:0> |        |        |        |        |        |       |       |       |       |       |       |              |       |       |       | 0000       |
| DSADRH   | 0BFA  | —           | —      | —      | —      | —      | —      | —     | —     | —     | —     | —     | —     | DSADR<23:16> |       |       |       | 0000       |

**Legend:** — = unimplemented, read as '0'. Reset values are shown in hexadecimal.

**TABLE 4-27: PWM REGISTER MAP**

| SFR Name | Addr. | Bit 15        | Bit 14 | Bit 13 | Bit 12 | Bit 11 | Bit 10 | Bit 9    | Bit 8    | Bit 7    | Bit 6    | Bit 5    | Bit 4    | Bit 3        | Bit 2    | Bit 1    | Bit 0    | All Resets |
|----------|-------|---------------|--------|--------|--------|--------|--------|----------|----------|----------|----------|----------|----------|--------------|----------|----------|----------|------------|
| PTCON    | 0C00  | PTEN          | —      | PTSIDL | SESTAT | SEIEN  | EIPU   | SYNCPOL  | SYNCOEN  | SYNCEN   | SYNCSRC2 | SYNCSRC1 | SYNCSRC0 | SEVTPS3      | SEVTPS2  | SEVTPS1  | SEVTPS0  | 0000       |
| PTCON2   | 0C02  | —             | —      | —      | —      | —      | —      | —        | —        | —        | —        | —        | —        | PCLKDIV<2:0> |          |          |          | 0000       |
| PTPER    | 0C04  | PTPER<15:0>   |        |        |        |        |        |          |          |          |          |          |          |              |          |          |          | FFF8       |
| SEVTCMP  | 0C06  | SEVTCMP<15:0> |        |        |        |        |        |          |          |          |          |          |          |              |          |          |          | 0000       |
| MDC      | 0C0A  | MDC<15:0>     |        |        |        |        |        |          |          |          |          |          |          |              |          |          |          | 0000       |
| CHOP     | 0C1A  | CHPCLKEN      | —      | —      | —      | —      | —      | CHOPCLK9 | CHOPCLK8 | CHOPCLK7 | CHOPCLK6 | CHOPCLK5 | CHOPCLK4 | CHOPCLK3     | CHOPCLK2 | CHOPCLK1 | CHOPCLK0 | 0000       |
| PWMKEY   | 0C1E  | PWMKEY<15:0>  |        |        |        |        |        |          |          |          |          |          |          |              |          |          |          | 0000       |

**Legend:** — = unimplemented, read as '0'. Reset values are shown in hexadecimal.

**TABLE 4-28: PWM GENERATOR 1 REGISTER MAP**

| SFR Name | Addr. | Bit 15        | Bit 14  | Bit 13        | Bit 12  | Bit 11    | Bit 10    | Bit 9     | Bit 8     | Bit 7   | Bit 6   | Bit 5    | Bit 4    | Bit 3    | Bit 2    | Bit 1   | Bit 0   | All Resets |
|----------|-------|---------------|---------|---------------|---------|-----------|-----------|-----------|-----------|---------|---------|----------|----------|----------|----------|---------|---------|------------|
| PWMCON1  | 0C20  | FLTSTAT       | CLSTAT  | TRGSTAT       | FLTIEN  | CLIEN     | TRGIEN    | ITB       | MDCS      | DTC1    | DTC0    | DTCP     | —        | —        | CAM      | XPRES   | IUE     | 0000       |
| IOCON1   | 0C22  | PENH          | PENL    | POLH          | POLL    | PMOD1     | PMOD0     | OVRENH    | OVRENL    | OVRDAT1 | OVRDAT0 | FLTDAT1  | FLTDAT0  | CLDAT1   | CLDAT0   | SWAP    | OSYNC   | 0000       |
| FCLCON1  | 0C24  | —             | CLSRC4  | CLSRC3        | CLSRC2  | CLSRC1    | CLSRC0    | CLPOL     | CLMOD     | FLTSRC4 | FLTSRC3 | FLTSRC2  | FLTSRC1  | FLTSRC0  | FLTPOL   | FLTMOD1 | FLTMOD0 | 0000       |
| PDC1     | 0C26  | PDC1<15:0>    |         |               |         |           |           |           |           |         |         |          |          |          |          |         |         | 0000       |
| PHASE1   | 0C28  | PHASE1<15:0>  |         |               |         |           |           |           |           |         |         |          |          |          |          |         |         | 0000       |
| DTR1     | 0C2A  | —             | —       | DTR1<13:0>    |         |           |           |           |           |         |         |          |          |          |          |         |         | 0000       |
| ALTDTR1  | 0C2C  | —             | —       | ALTDTR1<13:0> |         |           |           |           |           |         |         |          |          |          |          |         |         | 0000       |
| TRIG1    | 0C32  | TRGCMP<15:0>  |         |               |         |           |           |           |           |         |         |          |          |          |          |         |         | 0000       |
| TRGCON1  | 0C34  | TRGDIV3       | TRGDIV2 | TRGDIV1       | TRGDIV0 | —         | —         | —         | —         | —       | —       | TRGSTR5  | TRGSTR4  | TRGSTR3  | TRGSTR2  | TRGSTR1 | TRGSTR0 | 0000       |
| PWMCAP1  | 0C38  | PWMCAP1<15:0> |         |               |         |           |           |           |           |         |         |          |          |          |          |         |         | 0000       |
| LEBCON1  | 0C3A  | PHR           | PHF     | PLR           | PLF     | FLTLEBEN  | CLLEBEN   | —         | —         | —       | —       | BCH      | BCL      | BPHH     | BPHL     | BPLH    | BPLL    | 0000       |
| LEBDLY1  | 0C3C  | —             | —       | —             | —       | LEB<11:0> |           |           |           |         |         |          |          |          |          |         |         | 0000       |
| AUXCON1  | 0C3E  | —             | —       | —             | —       | BLANKSEL3 | BLANKSEL2 | BLANKSEL1 | BLANKSEL0 | —       | —       | CHOPSEL3 | CHOPSEL2 | CHOPSEL1 | CHOPSEL0 | CHOPHEN | CHOPLEN | 0000       |

**Legend:** — = unimplemented, read as '0'. Reset values are shown in hexadecimal.

**TABLE 4-29: PWM GENERATOR 2 REGISTER MAP**

| SFR Name | Addr. | Bit 15        | Bit 14  | Bit 13        | Bit 12  | Bit 11    | Bit 10    | Bit 9     | Bit 8     | Bit 7   | Bit 6   | Bit 5    | Bit 4    | Bit 3    | Bit 2    | Bit 1   | Bit 0   | All Resets |
|----------|-------|---------------|---------|---------------|---------|-----------|-----------|-----------|-----------|---------|---------|----------|----------|----------|----------|---------|---------|------------|
| PWMCON2  | 0C40  | FLTSTAT       | CLSTAT  | TRGSTAT       | FLTIEN  | CLIEEN    | TRGIEEN   | ITB       | MDCS      | DTC1    | DTC0    | DTCP     | —        | —        | CAM      | XPRES   | IUE     | 0000       |
| IOCON2   | 0C42  | PENH          | PENL    | POLH          | POLL    | PMOD1     | PMOD0     | OVRENH    | OVRENL    | OVRDAT1 | OVRDAT0 | FLTDAT1  | FLTDAT0  | CLDAT1   | CLDAT0   | SWAP    | OSYNC   | 0000       |
| FCLCON2  | 0C44  | —             | CLSRC4  | CLSRC3        | CLSRC2  | CLSRC1    | CLSRC0    | CLPOL     | CLMOD     | FLTSRC4 | FLTSRC3 | FLTSRC2  | FLTSRC1  | FLTSRC0  | FLTPOL   | FLTMOD1 | FLTMOD0 | 0000       |
| PDC2     | 0C46  | PDC2<15:0>    |         |               |         |           |           |           |           |         |         |          |          |          |          |         |         | 0000       |
| PHASE2   | 0C48  | PHASE2<15:0>  |         |               |         |           |           |           |           |         |         |          |          |          |          |         |         | 0000       |
| DTR2     | 0C4A  | —             | —       | DTR2<13:0>    |         |           |           |           |           |         |         |          |          |          |          |         |         | 0000       |
| ALTDTR2  | 0C4C  | —             | —       | ALTDTR2<13:0> |         |           |           |           |           |         |         |          |          |          |          |         |         | 0000       |
| TRIG2    | 0C52  | TRGCMP<15:0>  |         |               |         |           |           |           |           |         |         |          |          |          |          |         |         | 0000       |
| TRGCON2  | 0C54  | TRGDIV3       | TRGDIV2 | TRGDIV1       | TRGDIV0 | —         | —         | —         | —         | —       | —       | TRGSTR5  | TRGSTR4  | TRGSTR3  | TRGSTR2  | TRGSTR1 | TRGSTR0 | 0000       |
| PWMCAP2  | 0C58  | PWMCAP2<15:0> |         |               |         |           |           |           |           |         |         |          |          |          |          |         |         | 0000       |
| LEBCON2  | 0C5A  | PHR           | PHF     | PLR           | PLF     | FLTLEBEN  | CLLEBEN   | —         | —         | —       | —       | BCH      | BCL      | BPHH     | BPHL     | BPLH    | BPLL    | 0000       |
| LEBDLY2  | 0C5C  | —             | —       | —             | —       | LEB<11:0> |           |           |           |         |         |          |          |          |          |         |         | 0000       |
| AUXCON2  | 0C5E  | —             | —       | —             | —       | BLANKSEL3 | BLANKSEL2 | BLANKSEL1 | BLANKSEL0 | —       | —       | CHOPSEL3 | CHOPSEL2 | CHOPSEL1 | CHOPSEL0 | CHOPHEN | CHOPLEN | 0000       |

**Legend:** — = unimplemented, read as '0'. Reset values are shown in hexadecimal.

**TABLE 4-30: PWM GENERATOR 3 REGISTER MAP**

| SFR Name | Addr. | Bit 15        | Bit 14  | Bit 13        | Bit 12  | Bit 11    | Bit 10    | Bit 9     | Bit 8     | Bit 7   | Bit 6   | Bit 5    | Bit 4    | Bit 3    | Bit 2    | Bit 1   | Bit 0   | All Resets |
|----------|-------|---------------|---------|---------------|---------|-----------|-----------|-----------|-----------|---------|---------|----------|----------|----------|----------|---------|---------|------------|
| PWMCON3  | 0C60  | FLTSTAT       | CLSTAT  | TRGSTAT       | FLTIEN  | CLIEEN    | TRGIEEN   | ITB       | MDCS      | DTC1    | DTC0    | DTCP     | —        | —        | CAM      | XPRES   | IUE     | 0000       |
| IOCON3   | 0C62  | PENH          | PENL    | POLH          | POLL    | PMOD1     | PMOD0     | OVRENH    | OVRENL    | OVRDAT1 | OVRDAT0 | FLTDAT1  | FLTDAT0  | CLDAT1   | CLDAT0   | SWAP    | OSYNC   | 0000       |
| FCLCON3  | 0C64  | —             | CLSRC4  | CLSRC3        | CLSRC2  | CLSRC1    | CLSRC0    | CLPOL     | CLMOD     | FLTSRC4 | FLTSRC3 | FLTSRC2  | FLTSRC1  | FLTSRC0  | FLTPOL   | FLTMOD1 | FLTMOD0 | 0000       |
| PDC3     | 0C66  | PDC3<15:0>    |         |               |         |           |           |           |           |         |         |          |          |          |          |         |         | 0000       |
| PHASE3   | 0C68  | PHASE3<15:0>  |         |               |         |           |           |           |           |         |         |          |          |          |          |         |         | 0000       |
| DTR3     | 0C6A  | —             | —       | DTR3<13:0>    |         |           |           |           |           |         |         |          |          |          |          |         |         | 0000       |
| ALTDTR3  | 0C6C  | —             | —       | ALTDTR3<13:0> |         |           |           |           |           |         |         |          |          |          |          |         |         | 0000       |
| TRIG3    | 0C72  | TRGCMP<15:0>  |         |               |         |           |           |           |           |         |         |          |          |          |          |         |         | 0000       |
| TRGCON3  | 0C74  | TRGDIV3       | TRGDIV2 | TRGDIV1       | TRGDIV0 | —         | —         | —         | —         | —       | —       | TRGSTR5  | TRGSTR4  | TRGSTR3  | TRGSTR2  | TRGSTR1 | TRGSTR0 | 0000       |
| PWMCAP3  | 0C78  | PWMCAP3<15:0> |         |               |         |           |           |           |           |         |         |          |          |          |          |         |         | 0000       |
| LEBCON3  | 0C7A  | PHR           | PHF     | PLR           | PLF     | FLTLEBEN  | CLLEBEN   | —         | —         | —       | —       | BCH      | BCL      | BPHH     | BPHL     | BPLH    | BPLL    | 0000       |
| LEBDLY3  | 0C7C  | —             | —       | —             | —       | LEB<11:0> |           |           |           |         |         |          |          |          |          |         |         | 0000       |
| AUXCON3  | 0C7E  | —             | —       | —             | —       | BLANKSEL3 | BLANKSEL2 | BLANKSEL1 | BLANKSEL0 | —       | —       | CHOPSEL3 | CHOPSEL2 | CHOPSEL1 | CHOPSEL0 | CHOPHEN | CHOPLEN | 0000       |

**Legend:** — = unimplemented, read as '0'. Reset values are shown in hexadecimal.

**TABLE 4-31: PORTA REGISTER MAP FOR dsPIC33EVXXXGMX06 DEVICES**

| SFR Name | Addr. | Bit 15 | Bit 14 | Bit 13 | Bit 12      | Bit 11 | Bit 10 | Bit 9 | Bit 8 | Bit 7 | Bit 6 | Bit 5 | Bit 4  | Bit 3 | Bit 2 | Bit 1      | Bit 0     | All Resets |      |
|----------|-------|--------|--------|--------|-------------|--------|--------|-------|-------|-------|-------|-------|--------|-------|-------|------------|-----------|------------|------|
| TRISA    | 0E00  | —      | —      | —      | TRISA<12:7> |        |        |       |       |       | —     | —     | TRISA4 | —     | —     | TRISA<1:0> |           | 1F93       |      |
| PORTA    | 0E02  | —      | —      | —      | RA<12:7>    |        |        |       |       |       | —     | —     | RA4    | —     | —     | RA<1:0>    |           | 0000       |      |
| LATA     | 0E04  | —      | —      | —      | LATA<12:7>  |        |        |       |       |       | —     | —     | LATA4  | —     | —     | LATA<1:0>  |           | 0000       |      |
| ODCA     | 0E06  | —      | —      | —      | ODCA<12:7>  |        |        |       |       |       | —     | —     | ODCA4  | —     | —     | ODCA<1:0>  |           | 0000       |      |
| CNENA    | 0E08  | —      | —      | —      | CNIEA<12:7> |        |        |       |       |       | —     | —     | CNIEA4 | —     | —     | CNIEA<1:0> |           | 0000       |      |
| CNPUA    | 0E0A  | —      | —      | —      | CNPUA<12:7> |        |        |       |       |       | —     | —     | CNPUA4 | —     | —     | CNPUA<1:0> |           | 0000       |      |
| CNPDA    | 0E0C  | —      | —      | —      | CNPDA<12:7> |        |        |       |       |       | —     | —     | CNPDA4 | —     | —     | CNPDA<1:0> |           | 0000       |      |
| ANSELA   | 0E0E  | —      | —      | —      | ANSA<12:9>  |        |        |       | —     | —     | ANSA7 | —     | —      | ANSA4 | —     | —          | ANSA<1:0> |            | 1E93 |
| SR1A     | 0E10  | —      | —      | —      | —           | —      | —      | —     | SR1A9 | —     | —     | —     | —      | —     | —     | —          | —         | 0000       |      |
| SR0A     | 0E12  | —      | —      | —      | —           | —      | —      | —     | SR0A9 | —     | —     | —     | —      | —     | —     | —          | —         | 0000       |      |

**Legend:** — = unimplemented, read as '0'. Reset values are shown in hexadecimal.

**TABLE 4-32: PORTA REGISTER MAP FOR dsPIC33EVXXXGMX04 DEVICES**

| SFR Name | Addr. | Bit 15 | Bit 14 | Bit 13 | Bit 12 | Bit 11 | Bit 10      | Bit 9 | Bit 8 | Bit 7 | Bit 6 | Bit 5 | Bit 4      | Bit 3 | Bit 2 | Bit 1     | Bit 0 | All Resets |
|----------|-------|--------|--------|--------|--------|--------|-------------|-------|-------|-------|-------|-------|------------|-------|-------|-----------|-------|------------|
| TRISA    | 0E00  | —      | —      | —      | —      | —      | TRISA<10:7> |       |       |       | —     | —     | TRISA<4:0> |       |       |           | DF9F  |            |
| PORTA    | 0E02  | —      | —      | —      | —      | —      | RA<10:7>    |       |       |       | —     | —     | RA<4:0>    |       |       |           | 0000  |            |
| LATA     | 0E04  | —      | —      | —      | —      | —      | LATA<10:7>  |       |       |       | —     | —     | LATA<4:0>  |       |       |           | 0000  |            |
| ODCA     | 0E06  | —      | —      | —      | —      | —      | ODCA<10:7>  |       |       |       | —     | —     | ODCA<4:0>  |       |       |           | 0000  |            |
| CNENA    | 0E08  | —      | —      | —      | —      | —      | CNIEA<10:7> |       |       |       | —     | —     | CNIEA<4:0> |       |       |           | 0000  |            |
| CNPUA    | 0E0A  | —      | —      | —      | —      | —      | CNPUA<10:7> |       |       |       | —     | —     | CNPUA<4:0> |       |       |           | 0000  |            |
| CNPDA    | 0E0C  | —      | —      | —      | —      | —      | CNPDA<10:7> |       |       |       | —     | —     | CNPDA<4:0> |       |       |           | 0000  |            |
| ANSELA   | 0E0E  | —      | —      | —      | —      | —      | ANSA<10:9>  |       | —     | —     | ANSA7 | —     | —          | ANSA4 | —     | ANSA<2:0> |       | 1813       |
| SR1A     | 0E10  | —      | —      | —      | —      | —      | —           | —     | SR1A9 | —     | —     | —     | —          | —     | —     | —         | —     | 0000       |
| SR0A     | 0E12  | —      | —      | —      | —      | —      | —           | —     | SR0A9 | —     | —     | —     | —          | —     | —     | —         | —     | 0000       |

**Legend:** — = unimplemented, read as '0'. Reset values are shown in hexadecimal.

**TABLE 4-33: PORTA REGISTER MAP FOR dsPIC33EVXXXGMX02 DEVICES**

| SFR Name | Addr. | Bit 15 | Bit 14 | Bit 13 | Bit 12 | Bit 11 | Bit 10 | Bit 9 | Bit 8 | Bit 7 | Bit 6 | Bit 5 | Bit 4      | Bit 3 | Bit 2     | Bit 1 | Bit 0 | All Resets |
|----------|-------|--------|--------|--------|--------|--------|--------|-------|-------|-------|-------|-------|------------|-------|-----------|-------|-------|------------|
| TRISA    | 0E00  | —      | —      | —      | —      | —      | —      | —     | —     | —     | —     | —     | TRISA<4:0> |       |           |       | DF9F  |            |
| PORTA    | 0E02  | —      | —      | —      | —      | —      | —      | —     | —     | —     | —     | —     | RA<4:0>    |       |           |       | 0000  |            |
| LATA     | 0E04  | —      | —      | —      | —      | —      | —      | —     | —     | —     | —     | —     | LATA<4:0>  |       |           |       | 0000  |            |
| ODCA     | 0E06  | —      | —      | —      | —      | —      | —      | —     | —     | —     | —     | —     | ODCA<4:0>  |       |           |       | 0000  |            |
| CNENA    | 0E08  | —      | —      | —      | —      | —      | —      | —     | —     | —     | —     | —     | CNIEA<4:0> |       |           |       | 0000  |            |
| CNPUA    | 0E0A  | —      | —      | —      | —      | —      | —      | —     | —     | —     | —     | —     | CNPUA<4:0> |       |           |       | 0000  |            |
| CNPDA    | 0E0C  | —      | —      | —      | —      | —      | —      | —     | —     | —     | —     | —     | CNPDA<4:0> |       |           |       | 0000  |            |
| ANSELA   | 0E0E  | —      | —      | —      | —      | —      | —      | —     | —     | —     | —     | —     | ANSA4      | —     | ANSA<2:0> |       | 1813  |            |
| SR1A     | 0E10  | —      | —      | —      | —      | —      | —      | —     | —     | —     | —     | —     | SR1A4      | —     | —         | —     | —     | 0000       |
| SR0A     | 0E12  | —      | —      | —      | —      | —      | —      | —     | —     | —     | —     | —     | SR0A4      | —     | —         | —     | —     | 0000       |

**Legend:** — = unimplemented, read as '0'. Reset values are shown in hexadecimal.

**TABLE 4-34: PORTB REGISTER MAP FOR dsPIC33EVXXXGMX06 DEVICES**

| SFR Name | Addr. | Bit 15      | Bit 14 | Bit 13 | Bit 12 | Bit 11 | Bit 10 | Bit 9     | Bit 8 | Bit 7 | Bit 6 | Bit 5 | Bit 4 | Bit 3     | Bit 2 | Bit 1 | Bit 0 | All Resets |
|----------|-------|-------------|--------|--------|--------|--------|--------|-----------|-------|-------|-------|-------|-------|-----------|-------|-------|-------|------------|
| TRISB    | 0E14  | TRISB<15:0> |        |        |        |        |        |           |       |       |       |       |       |           |       |       |       | FFFF       |
| PORTB    | 0E16  | RB<15:0>    |        |        |        |        |        |           |       |       |       |       |       |           |       |       |       | xxxx       |
| LATB     | 0E18  | LATB<15:0>  |        |        |        |        |        |           |       |       |       |       |       |           |       |       |       | xxxx       |
| ODCB     | 0E1A  | ODCB<15:0>  |        |        |        |        |        |           |       |       |       |       |       |           |       |       |       | 0000       |
| CNENB    | 0E1C  | CNIEB<15:0> |        |        |        |        |        |           |       |       |       |       |       |           |       |       |       | 0000       |
| CNPUB    | 0E1E  | CNPUB<15:0> |        |        |        |        |        |           |       |       |       |       |       |           |       |       |       | 0000       |
| CNPDB    | 0E20  | CNPDB<15:0> |        |        |        |        |        |           |       |       |       |       |       |           |       |       |       | 0000       |
| ANSELB   | 0E22  | —           | —      | —      | —      | —      | —      | ANSB<9:7> |       |       | —     | —     | —     | ANSB<3:0> |       |       | 038F  |            |
| SR1B     | 0E24  | —           | —      | —      | —      | —      | —      | SR1B<9:7> |       |       | —     | —     | SR1B4 | —         | —     | —     | —     | 0000       |
| SR0B     | 0E26  | —           | —      | —      | —      | —      | —      | SR0B<9:7> |       |       | —     | —     | SR0B4 | —         | —     | —     | —     | 0000       |

**Legend:** x = unknown value on Reset; — = unimplemented, read as '0'. Reset values are shown in hexadecimal.

**TABLE 4-35: PORTB REGISTER MAP FOR dsPIC33EVXXXGMX04 DEVICES**

| SFR Name | Addr. | Bit 15      | Bit 14 | Bit 13 | Bit 12 | Bit 11 | Bit 10 | Bit 9     | Bit 8 | Bit 7 | Bit 6 | Bit 5 | Bit 4 | Bit 3 | Bit 2     | Bit 1 | Bit 0 | All Resets |      |
|----------|-------|-------------|--------|--------|--------|--------|--------|-----------|-------|-------|-------|-------|-------|-------|-----------|-------|-------|------------|------|
| TRISB    | 0E14  | TRISB<15:0> |        |        |        |        |        |           |       |       |       |       |       |       |           |       |       | DF9F       |      |
| PORTB    | 0E16  | RB<15:0>    |        |        |        |        |        |           |       |       |       |       |       |       |           |       |       | xxxx       |      |
| LATB     | 0E18  | LATB<15:0>  |        |        |        |        |        |           |       |       |       |       |       |       |           |       |       | xxxx       |      |
| ODCB     | 0E1A  | ODCB<15:0>  |        |        |        |        |        |           |       |       |       |       |       |       |           |       |       | 0000       |      |
| CNENB    | 0E1C  | CNIEB<15:0> |        |        |        |        |        |           |       |       |       |       |       |       |           |       |       | 0000       |      |
| CNPUB    | 0E1E  | CNPUB<15:0> |        |        |        |        |        |           |       |       |       |       |       |       |           |       |       | 0000       |      |
| CNPDB    | 0E20  | CNPDB<15:0> |        |        |        |        |        |           |       |       |       |       |       |       |           |       |       | 0000       |      |
| ANSELB   | 0E22  | —           | —      | —      | —      | —      | —      | ANSB<9:7> |       |       |       | —     | —     | —     | ANSB<3:0> |       |       | 010F       |      |
| SR1B     | 0E24  | —           | —      | —      | —      | —      | —      | SR1B<9:7> |       |       |       | —     | —     | SR1B4 | —         | —     | —     | —          | 0000 |
| SR0B     | 0E26  | —           | —      | —      | —      | —      | —      | SR0B<9:7> |       |       |       | —     | —     | SR0B4 | —         | —     | —     | —          | 0000 |

**Legend:** x = unknown value on Reset; — = unimplemented, read as '0'. Reset values are shown in hexadecimal.

**TABLE 4-36: PORTB REGISTER MAP FOR dsPIC33EVXXXGMX02 DEVICES**

| SFR Name | Addr. | Bit 15      | Bit 14 | Bit 13 | Bit 12 | Bit 11 | Bit 10 | Bit 9     | Bit 8 | Bit 7 | Bit 6 | Bit 5 | Bit 4 | Bit 3 | Bit 2     | Bit 1 | Bit 0 | All Resets |      |
|----------|-------|-------------|--------|--------|--------|--------|--------|-----------|-------|-------|-------|-------|-------|-------|-----------|-------|-------|------------|------|
| TRISB    | 0E14  | TRISB<15:0> |        |        |        |        |        |           |       |       |       |       |       |       |           |       |       | DF9F       |      |
| PORTB    | 0E16  | RB<15:0>    |        |        |        |        |        |           |       |       |       |       |       |       |           |       |       | xxxx       |      |
| LATB     | 0E18  | LATB<15:0>  |        |        |        |        |        |           |       |       |       |       |       |       |           |       |       | xxxx       |      |
| ODCB     | 0E1A  | ODCB<15:0>  |        |        |        |        |        |           |       |       |       |       |       |       |           |       |       | 0000       |      |
| CNENB    | 0E1C  | CNIEB<15:0> |        |        |        |        |        |           |       |       |       |       |       |       |           |       |       | 0000       |      |
| CNPUB    | 0E1E  | CNPUB<15:0> |        |        |        |        |        |           |       |       |       |       |       |       |           |       |       | 0000       |      |
| CNPDB    | 0E20  | CNPDB<15:0> |        |        |        |        |        |           |       |       |       |       |       |       |           |       |       | 0000       |      |
| ANSELB   | 0E22  | —           | —      | —      | —      | —      | —      | ANSB<9:7> |       |       |       | —     | —     | —     | ANSB<3:0> |       |       | 010F       |      |
| SR1B     | 0E24  | —           | —      | —      | —      | —      | —      | SR1B<9:7> |       |       |       | —     | —     | SR1B4 | —         | —     | —     | —          | 0000 |
| SR0B     | 0E26  | —           | —      | —      | —      | —      | —      | SR0B<9:7> |       |       |       | —     | —     | SR0B4 | —         | —     | —     | —          | 0000 |

**Legend:** x = unknown value on Reset; — = unimplemented, read as '0'. Reset values are shown in hexadecimal.



**TABLE 4-37: PORTC REGISTER MAP FOR dsPIC33EVXXXGMX06 DEVICES**

| SFR Name | Addr. | Bit 15  | Bit 14 | Bit 13      | Bit 12     | Bit 11 | Bit 10 | Bit 9 | Bit 8     | Bit 7 | Bit 6 | Bit 5 | Bit 4 | Bit 3 | Bit 2 | Bit 1 | Bit 0 | All Resets |
|----------|-------|---------|--------|-------------|------------|--------|--------|-------|-----------|-------|-------|-------|-------|-------|-------|-------|-------|------------|
| TRISC    | 0E28  | TRISC15 | —      | TRISC<13:0> |            |        |        |       |           |       |       |       |       |       |       |       |       | BFFF       |
| PORTC    | 0E2A  | RC15    | —      | RC<13:0>    |            |        |        |       |           |       |       |       |       |       |       |       |       | xxxx       |
| LATC     | 0E2C  | LATC15  | —      | LATC<13:0>  |            |        |        |       |           |       |       |       |       |       |       |       |       | xxxx       |
| ODCC     | 0E2E  | ODCC15  | —      | ODCC<13:0>  |            |        |        |       |           |       |       |       |       |       |       |       |       | 0000       |
| CNENC    | 0E30  | CNIEC15 | —      | CNIEC<13:0> |            |        |        |       |           |       |       |       |       |       |       |       |       | 0000       |
| CNPUC    | 0E32  | CNPUC15 | —      | CNPUC<13:0> |            |        |        |       |           |       |       |       |       |       |       |       |       | 0000       |
| CNPDC    | 0E34  | CNPDC15 | —      | CNPDC<13:0> |            |        |        |       |           |       |       |       |       |       |       |       |       | 0000       |
| ANSEL    | 0E36  | —       | —      | —           | ANSC<12:0> |        |        |       |           |       |       |       |       |       |       |       | 1FFF  |            |
| SR1C     | 0E38  | —       | —      | —           | —          | —      | —      | —     | SR1C<9:6> |       |       | —     | —     | SR1C3 | —     | —     | —     | 0000       |
| SR0C     | 0E3A  | —       | —      | —           | —          | —      | —      | —     | SR0C<9:6> |       |       | —     | —     | SR0C3 | —     | —     | —     | 0000       |

**Legend:** x = unknown value on Reset; — = unimplemented, read as '0'. Reset values are shown in hexadecimal.

**TABLE 4-38: PORTC REGISTER MAP FOR dsPIC33EVXXXGMX04 DEVICES**

| SFR Name | Addr. | Bit 15 | Bit 14 | Bit 13 | Bit 12 | Bit 11 | Bit 10 | Bit 9      | Bit 8 | Bit 7 | Bit 6 | Bit 5 | Bit 4 | Bit 3 | Bit 2 | Bit 1 | Bit 0 | All Resets |
|----------|-------|--------|--------|--------|--------|--------|--------|------------|-------|-------|-------|-------|-------|-------|-------|-------|-------|------------|
| TRISC    | 0E28  | —      | —      | —      | —      | —      | —      | TRISC<9:0> |       |       |       |       |       |       |       |       |       | BFFF       |
| PORTC    | 0E2A  | —      | —      | —      | —      | —      | —      | RC<9:0>    |       |       |       |       |       |       |       |       |       | xxxx       |
| LATC     | 0E2C  | —      | —      | —      | —      | —      | —      | LATC<9:0>  |       |       |       |       |       |       |       |       |       | xxxx       |
| ODCC     | 0E2E  | —      | —      | —      | —      | —      | —      | ODCC<9:0>  |       |       |       |       |       |       |       |       |       | 0000       |
| CNENC    | 0E30  | —      | —      | —      | —      | —      | —      | CNIEC<9:0> |       |       |       |       |       |       |       |       |       | 0000       |
| CNPUC    | 0E32  | —      | —      | —      | —      | —      | —      | CNPUC<9:0> |       |       |       |       |       |       |       |       |       | 0000       |
| CNPDC    | 0E34  | —      | —      | —      | —      | —      | —      | CNPDC<9:0> |       |       |       |       |       |       |       |       |       | 0000       |
| ANSEL    | 0E36  | —      | —      | —      | —      | —      | —      | ANSC<9:0>  |       |       |       |       |       |       |       |       |       | 0807       |
| SR1C     | 0E38  | —      | —      | —      | —      | —      | —      | SR1C<9:6>  |       |       | —     | —     | SR1C3 | —     | —     | —     | 0000  |            |
| SR0C     | 0E3A  | —      | —      | —      | —      | —      | —      | SR0C<9:6>  |       |       | —     | —     | SR0C3 | —     | —     | —     | 0000  |            |

**Legend:** x = unknown value on Reset; — = unimplemented, read as '0'. Reset values are shown in hexadecimal.

**TABLE 4-39: PORTD REGISTER MAP FOR dsPIC33EVXXXGMX06 DEVICES**

| SFR Name | Addr. | Bit 15 | Bit 14 | Bit 13 | Bit 12 | Bit 11 | Bit 10 | Bit 9 | Bit 8  | Bit 7 | Bit 6      | Bit 5 | Bit 4 | Bit 3 | Bit 2 | Bit 1 | Bit 0 | All Resets |
|----------|-------|--------|--------|--------|--------|--------|--------|-------|--------|-------|------------|-------|-------|-------|-------|-------|-------|------------|
| TRISD    | 0E3C  | —      | —      | —      | —      | —      | —      | —     | TRISD8 | —     | TRISD<6:5> |       | —     | —     | —     | —     | —     | 0160       |
| PORTD    | 0E3E  | —      | —      | —      | —      | —      | —      | —     | RD8    | —     | RD<6:5>    |       | —     | —     | —     | —     | —     | xxxx       |
| LATD     | 0E40  | —      | —      | —      | —      | —      | —      | —     | LATD8  | —     | LATD<6:5>  |       | —     | —     | —     | —     | —     | xxxx       |
| ODCD     | 0E42  | —      | —      | —      | —      | —      | —      | —     | ODCD8  | —     | ODCD<6:5>  |       | —     | —     | —     | —     | —     | 0000       |
| CNEND    | 0E44  | —      | —      | —      | —      | —      | —      | —     | CNIED8 | —     | CNIED<6:5> |       | —     | —     | —     | —     | —     | 0000       |
| CNPUD    | 0E46  | —      | —      | —      | —      | —      | —      | —     | CNPUD8 | —     | CNPUD<6:5> |       | —     | —     | —     | —     | —     | 0000       |
| CNPDD    | 0E48  | —      | —      | —      | —      | —      | —      | —     | CNPDD8 | —     | CNPDD<6:5> |       | —     | —     | —     | —     | —     | 0000       |

**Legend:** x = unknown value on Reset; — = unimplemented, read as '0'. Reset values are shown in hexadecimal.

**TABLE 4-40: PORTE REGISTER MAP FOR dsPIC33EVXXXGMX06 DEVICES**

| SFR Name | Addr. | Bit 15       | Bit 14 | Bit 13 | Bit 12 | Bit 11 | Bit 10 | Bit 9 | Bit 8 | Bit 7 | Bit 6 | Bit 5 | Bit 4 | Bit 3 | Bit 2 | Bit 1 | Bit 0 | All Resets |      |
|----------|-------|--------------|--------|--------|--------|--------|--------|-------|-------|-------|-------|-------|-------|-------|-------|-------|-------|------------|------|
| TRISE    | 0E50  | TRISE<15:12> |        |        |        |        |        | —     | —     | —     | —     | —     | —     | —     | —     | —     | —     | —          | F000 |
| PORTE    | 0E52  | RE<15:12>    |        |        |        |        |        | —     | —     | —     | —     | —     | —     | —     | —     | —     | —     | —          | xxxx |
| LATE     | 0E54  | LATE<15:12>  |        |        |        |        |        | —     | —     | —     | —     | —     | —     | —     | —     | —     | —     | —          | xxxx |
| ODCE     | 0E56  | ODCE<15:12>  |        |        |        |        |        | —     | —     | —     | —     | —     | —     | —     | —     | —     | —     | —          | 0000 |
| CNENE    | 0E58  | CNIEE<15:12> |        |        |        |        |        | —     | —     | —     | —     | —     | —     | —     | —     | —     | —     | —          | 0000 |
| CNPUE    | 0E5A  | CNPUE<15:12> |        |        |        |        |        | —     | —     | —     | —     | —     | —     | —     | —     | —     | —     | —          | 0000 |
| CNPDE    | 0E5C  | CNPDE<15:12> |        |        |        |        |        | —     | —     | —     | —     | —     | —     | —     | —     | —     | —     | —          | 0000 |
| ANSELE   | 0E5E  | ANSE<15:12>  |        |        |        |        |        | —     | —     | —     | —     | —     | —     | —     | —     | —     | —     | —          | F000 |

**Legend:** x = unknown value on Reset; — = unimplemented, read as '0'. Reset values are shown in hexadecimal.

**TABLE 4-41: PORTF REGISTER MAP FOR dsPIC33EVXXXGMX06 DEVICES**

| SFR Name | Addr. | Bit 15 | Bit 14 | Bit 13 | Bit 12 | Bit 11 | Bit 10 | Bit 9 | Bit 8 | Bit 7 | Bit 6 | Bit 5 | Bit 4 | Bit 3 | Bit 2 | Bit 1      | Bit 0 | All Resets |
|----------|-------|--------|--------|--------|--------|--------|--------|-------|-------|-------|-------|-------|-------|-------|-------|------------|-------|------------|
| TRISF    | 0E64  | —      | —      | —      | —      | —      | —      | —     | —     | —     | —     | —     | —     | —     | —     | TRISF<1:0> |       | 0003       |
| PORTF    | 0E66  | —      | —      | —      | —      | —      | —      | —     | —     | —     | —     | —     | —     | —     | —     | RF<1:0>    |       | xxxx       |
| LATF     | 0E68  | —      | —      | —      | —      | —      | —      | —     | —     | —     | —     | —     | —     | —     | —     | LATF<1:0>  |       | xxxx       |
| ODCF     | 0E6A  | —      | —      | —      | —      | —      | —      | —     | —     | —     | —     | —     | —     | —     | —     | ODCF<1:0>  |       | 0000       |
| CNENF    | 0E6C  | —      | —      | —      | —      | —      | —      | —     | —     | —     | —     | —     | —     | —     | —     | CNIEF<1:0> |       | 0000       |
| CNPUF    | 0E6E  | —      | —      | —      | —      | —      | —      | —     | —     | —     | —     | —     | —     | —     | —     | CNPUF<1:0> |       | 0000       |
| CNPDF    | 0E70  | —      | —      | —      | —      | —      | —      | —     | —     | —     | —     | —     | —     | —     | —     | CNPDF<1:0> |       | 0000       |

**Legend:** x = unknown value on Reset; — = unimplemented, read as '0'. Reset values are shown in hexadecimal.

**TABLE 4-42: PORTG REGISTER MAP FOR dsPIC33EVXXXGMX06 DEVICES**

| SFR Name | Addr. | Bit 15 | Bit 14 | Bit 13 | Bit 12 | Bit 11 | Bit 10 | Bit 9      | Bit 8 | Bit 7 | Bit 6 | Bit 5 | Bit 4 | Bit 3 | Bit 2 | Bit 1 | Bit 0 | All Resets |      |
|----------|-------|--------|--------|--------|--------|--------|--------|------------|-------|-------|-------|-------|-------|-------|-------|-------|-------|------------|------|
| TRISG    | 0E78  | —      | —      | —      | —      | —      | —      | TRISG<9:6> |       |       |       | —     | —     | —     | —     | —     | —     | 03C0       |      |
| PORTG    | 0E7A  | —      | —      | —      | —      | —      | —      | RG<9:6>    |       |       |       | —     | —     | —     | —     | —     | —     | —          | xxxx |
| LATG     | 0E7C  | —      | —      | —      | —      | —      | —      | LATG<9:6>  |       |       |       | —     | —     | —     | —     | —     | —     | —          | xxxx |
| ODCG     | 0E7E  | —      | —      | —      | —      | —      | —      | ODCG<9:6>  |       |       |       | —     | —     | —     | —     | —     | —     | —          | 0000 |
| CNENG    | 0E80  | —      | —      | —      | —      | —      | —      | CNIEG<9:6> |       |       |       | —     | —     | —     | —     | —     | —     | —          | 0000 |
| CNPUG    | 0E82  | —      | —      | —      | —      | —      | —      | CNPUG<9:6> |       |       |       | —     | —     | —     | —     | —     | —     | —          | 0000 |
| CNPDG    | 0E84  | —      | —      | —      | —      | —      | —      | CNPDG<9:6> |       |       |       | —     | —     | —     | —     | —     | —     | —          | 0000 |
| ANSELG   | 0E86  | —      | —      | —      | —      | —      | —      | ANSNG<9:6> |       |       |       | —     | —     | —     | —     | —     | —     | —          | 0000 |

**Legend:** x = unknown value on Reset; — = unimplemented, read as '0'. Reset values are shown in hexadecimal.

# dsPIC33EVXXGM00X/10X FAMILY

## 4.3.1 PAGED MEMORY SCHEME

The dsPIC33EVXXGM00X/10X family architecture extends the available DS through a paging scheme, which allows the available DS to be accessed using MOV instructions in a linear fashion for pre- and post-modified Effective Addresses (EAs). The upper half of the Base Data Space address is used in conjunction with the Data Space Page registers, the 10-bit Data Space Read Page register (DSRPAG) or the 9-bit Data Space Write Page register (DSWPAG), to form an EDS address, or Program Space Visibility (PSV) address.

The Data Space Page registers are located in the SFR space. Construction of the EDS address is shown in Figure 4-9 and Figure 4-10. When DSRPAG<9> = 0 and the base address bit, EA<15> = 1, the DSRPAG<8:0> bits are concatenated onto EA<14:0> to form the 24-bit EDS read address. Similarly, when the base address bit, EA<15> = 1, the DSWPAG<8:0> bits are concatenated onto EA<14:0> to form the 24-bit EDS write address.

**FIGURE 4-9: EXTENDED DATA SPACE (EDS) READ ADDRESS GENERATION**



**FIGURE 4-10: EXTENDED DATA SPACE (EDS) WRITE ADDRESS GENERATION**



The paged memory scheme provides access to multiple 32-Kbyte windows in the EDS and PSV memory. The Data Space Page registers, DSxPAG, in combination with the upper half of the Data Space address, can provide up to 16 Mbytes of additional address space in the EDS and 8 Mbytes (DSRPAG only) of PSV address space. The paged data memory space is shown in [Figure 4-11](#).

The Program Space (PS) can be accessed with a DSRPAG of 0x200 or greater. Only reads from PS are supported using the DSRPAG. Writes to PS are not supported, therefore, the DSWPAG is dedicated to DS, including EDS. The Data Space and EDS can be read from and written to using DSRPAG and DSWPAG, respectively.

**FIGURE 4-11: PAGED DATA MEMORY SPACE**



# dsPIC33EVXXGM00X/10X FAMILY

Allocating different Page registers for read and write access allows the architecture to support data movement between different pages in the data memory. This is accomplished by setting the DSRPAG register value to the page from which you want to read, and configure the DSWPAG register to the page to which it needs to be written. Data can also be moved from different PSV to EDS pages by configuring the DSRPAG and DSWPAG registers to address PSV and EDS space, respectively. The data can be moved between pages by a single instruction.

When an EDS or PSV page overflow or underflow occurs, EA<15> is cleared as a result of the register indirect EA calculation. An overflow or underflow of the EA in the EDS or PSV pages can occur at the page boundaries when:

- The initial address, prior to modification, addresses an EDS or a PSV page.
- The EA calculation uses Pre- or Post-Modified Register Indirect Addressing. However, this does not include Register Offset Addressing.

In general, when an overflow is detected, the DSxPAG register is incremented and the EA<15> bit is set to keep the base address within the EDS or PSV window. When an underflow is detected, the DSxPAG register is decremented and the EA<15> bit is set to keep the base address within the EDS or PSV window. This creates a linear EDS and PSV address space, but only when using the Register Indirect Addressing modes.

Exceptions to the operation described above arise when entering and exiting the boundaries of Page 0, EDS and PSV spaces. [Table 4-43](#) lists the effects of overflow and underflow scenarios at different boundaries.

In the following cases, when an overflow or underflow occurs, the EA<15> bit is set and the DSxPAG is not modified; therefore, the EA will wrap to the beginning of the current page:

- Register Indirect with Register Offset Addressing
- Modulo Addressing
- Bit-Reversed Addressing

**TABLE 4-43: OVERFLOW AND UNDERFLOW SCENARIOS AT PAGE 0, EDS AND PSV SPACE BOUNDARIES<sup>(2,3,4)</sup>**

| O/U, R/W | Operation                  | Before         |           |                     | After          |           |                            |
|----------|----------------------------|----------------|-----------|---------------------|----------------|-----------|----------------------------|
|          |                            | DSxPAG         | DS EA<15> | Page Description    | DSxPAG         | DS EA<15> | Page Description           |
| O, Read  | [ ++Wn ]<br>or<br>[ Wn++ ] | DSRPAG = 0x1FF | 1         | EDS: Last Page      | DSRPAG = 0x1FF | 0         | See <a href="#">Note 1</a> |
| O, Read  |                            | DSRPAG = 0x2FF | 1         | PSV: Last lsw Page  | DSRPAG = 0x300 | 1         | PSV: First MSB Page        |
| O, Read  |                            | DSRPAG = 0x3FF | 1         | PSV: Last MSB Page  | DSRPAG = 0x3FF | 0         | See <a href="#">Note 1</a> |
| O, Write |                            | DSWPAG = 0x1FF | 1         | EDS: Last Page      | DSWPAG = 0x1FF | 0         | See <a href="#">Note 1</a> |
| U, Read  | [ --Wn ]<br>or<br>[ Wn-- ] | DSRPAG = 0x001 | 1         | PSV Page            | DSRPAG = 0x001 | 0         | See <a href="#">Note 1</a> |
| U, Read  |                            | DSRPAG = 0x200 | 1         | PSV: First lsw Page | DSRPAG = 0x200 | 0         | See <a href="#">Note 1</a> |
| U, Read  |                            | DSRPAG = 0x300 | 1         | PSV: First MSB Page | DSRPAG = 0x2FF | 1         | PSV: Last lsw Page         |

**Legend:** O = Overflow, U = Underflow, R = Read, W = Write

**Note 1:** The Register Indirect Addressing now addresses a location in the Base Data Space (0x0000-0x8000).

**2:** An EDS access with DSxPAG = 0x000 will generate an address error trap.

**3:** Only reads from PS are supported using DSRPAG. An attempt to write to PS using DSWPAG will generate an address error trap.

**4:** Pseudolinear Addressing is not supported for large offsets.

# dsPIC33EVXXGM00X/10X FAMILY

## 4.3.2 EXTENDED X DATA SPACE

The lower portion of the base address space range, between 0x0000 and 0x2FFF, is always accessible regardless of the contents of the Data Space Page registers; it is indirectly addressable through the register indirect instructions. It can be regarded as being located in the default EDS Page 0 (i.e., EDS address range of 0x000000 to 0x002FFF with the base address bit, EA<15> = 0, for this address range). However, Page 0 cannot be accessed through the upper 32 Kbytes, 0x8000 to 0xFFFF, of Base Data Space, in combination with DSRPAG = 0x000 or DSWPAG = 0x000. Consequently, the DSRPAG and DSWPAG registers are initialized to 0x001 at Reset.

**Note 1:** DSxPAG should not be used to access Page 0. An EDS access with DSxPAG set to 0x000 will generate an address error trap.

**2:** Clearing the DSxPAG in software has no effect.

The remaining pages, including both EDS and PSV pages, are only accessible using the DSRPAG or DSWPAG registers in combination with the upper 32 Kbytes, 0x8000 to 0xFFFF, of the base address, where the base address bit, EA<15> = 1.

For example, when DSRPAG = 0x001 or DSWPAG = 0x001, accesses to the upper 32 Kbytes, 0x8000 to 0xFFFF of the Data Space, will map to the EDS address range of 0x008000 to 0x00FFFF. When DSRPAG = 0x002 or DSWPAG = 0x002, accesses to the upper 32 Kbytes of the Data Space will map to the EDS address range of 0x010000 to 0x017FFF and so on, as shown in the EDS memory map in [Figure 4-12](#).

For more information on the PSV page access using Data Space Page registers, refer to **Section 5.0 “Program Space Visibility from Data Space”** in **“dsPIC33E/PIC24E Program Memory”** (DS70000613) of the *“dsPIC33/PIC24 Family Reference Manual”*.

**FIGURE 4-12: EDS MEMORY MAP**





## 4.3.3 DATA MEMORY ARBITRATION AND BUS MASTER PRIORITY

EDS accesses from bus masters in the system are arbitrated.

The arbiter for data memory (including EDS) arbitrates between the CPU, the DMA and the MPLAB<sup>®</sup> ICD module. In the event of coincidental access to a bus by the bus masters, the arbiter determines which bus master access has the highest priority. The other bus masters are suspended and processed after the highest priority. The access of the bus by the bus master with the highest priority.

By default, the CPU is Bus Master 0 (M0) with the highest priority and the MPLAB ICD is Bus Master 4 (M4) with the lowest priority. The remaining bus master (DMA Controller) is allocated to M3 (M1 and M2 are reserved and cannot be used). The user application may raise or lower the priority of the DMA Controller to be above that of the CPU by setting the appropriate bits in the EDS Bus Master Priority Control (MSTRPR) register. All bus masters with raised priorities will maintain the same priority relationship relative to each other (i.e., M1 being highest and M3 being lowest, with M2 in between). Also, all the bus masters with priorities

below that of the CPU maintain the same priority relationship relative to each other. The priority schemes for bus masters with different MSTRPR values are listed in [Table 4-44](#).

[Figure 4-13](#) shows the arbiter architecture.

The bus master priority control allows the user application to manipulate the real-time response of the system, either statically during initialization or dynamically in response to real-time events.

**TABLE 4-44: DATA MEMORY BUS ARBITER PRIORITY**

| Priority     | MSTRPR<15:0> Bit Setting <sup>(1)</sup> |           |
|--------------|---|-----------|
|              | 0x0000                                  | 0x0020    |
| M0 (highest) | CPU                                     | DMA       |
| M1           | Reserved                                | CPU       |
| M2           | Reserved                                | Reserved  |
| M3           | DMA                                     | Reserved  |
| M4 (lowest)  | MPLAB <sup>®</sup> ICD                  | MPLAB ICD |

**Note 1:** All other values of MSTRPR<15:0> are reserved.

**FIGURE 4-13: ARBITER ARCHITECTURE**



# dsPIC33EVXXGM00X/10X FAMILY

## 4.3.4 SOFTWARE STACK

The W15 register serves as a dedicated Software Stack Pointer (SSP) and is automatically modified by exception processing, subroutine calls and returns; however, W15 can be referenced by any instruction in the same manner as all other W registers. This simplifies reading, writing and manipulating the SSP (for example, creating stack frames).

**Note:** To protect against misaligned stack accesses, W15<0> is fixed to '0' by the hardware.

W15 is initialized to 0x1000 during all Resets. This address ensures that the SSP points to valid RAM in all dsPIC33EVXXGM00X/10X family devices and permits stack availability for non-maskable trap exceptions. These can occur before the SSP is initialized by the user software. You can reprogram the SSP during initialization to any location within the Data Space.

The SSP always points to the first available free word and fills the software stack, working from lower toward higher addresses. Figure 4-14 illustrates how it pre-decrements for a stack pop (read) and post-increments for a stack push (writes).

When the PC is pushed onto the stack, PC<15:0> are pushed onto the first available stack word, then PC<22:16> are pushed into the second available stack word. For a PC push during any CALL instruction, the MSB of the PC is zero-extended before the push, as shown in Figure 4-14. During exception processing, the MSB of the PC is concatenated with the lower 8 bits of the CPU STATUS Register (SR). This allows the contents of SRL to be preserved automatically during interrupt processing.

**Note 1:** To maintain system SSP (W15) coherency, W15 is never subject to (EDS) paging, and is therefore, restricted to an address range of 0x0000 to 0xFFFF. The same applies to the W14 when used as a Stack Frame Pointer (SFA = 1).

**2:** As the stack can be placed in, and can access X and Y spaces, care must be taken regarding its use, particularly with regard to local automatic variables in a 'C' development environment.

**FIGURE 4-14: CALL STACK FRAME**



## 4.4 Instruction Addressing Modes

The addressing modes shown in Table 4-45 form the basis of the addressing modes optimized to support the specific features of the individual instructions. The addressing modes provided in the MAC class of instructions differ from those in the other instruction types.

### 4.4.1 FILE REGISTER INSTRUCTIONS

Most file register instructions use a 13-bit address field (f) to directly address data present in the first 8192 bytes of data memory (Near Data Space). Most file register instructions employ a Working register, W0, which is denoted as WREG in these instructions. The destination is typically either the same file register or WREG (with the exception of the MUL instruction), which writes the result to a register or register pair. The MOV instruction allows additional flexibility and can access the entire Data Space.

### 4.4.2 MCU INSTRUCTIONS

The three-operand MCU instructions are of the form:

Operand 3 = Operand 1 <function> Operand 2

where, Operand 1 is always a Working register (that is, the addressing mode can only be Register Direct), which is referred to as Wb. Operand 2 can be a W register fetched from data memory or a 5-bit literal. The result location can be either a W register or a data memory location. The following addressing modes are supported by MCU instructions:

- Register Direct
- Register Indirect
- Register Indirect Post-Modified
- Register Indirect Pre-Modified
- 5-Bit or 10-Bit Literal

**Note:** Not all instructions support all of the addressing modes given above. Individual instructions can support different subsets of these addressing modes.

**TABLE 4-45: FUNDAMENTAL ADDRESSING MODES SUPPORTED**

| Addressing Mode   | Description   |
|---|---|
| File Register Direct                                      | The address of the file register is specified explicitly.   |
| Register Direct   | The contents of a register are accessed directly.   |
| Register Indirect   | The contents of Wn form the Effective Address (EA).   |
| Register Indirect Post-Modified                           | The contents of Wn form the EA. Wn is post-modified (incremented or decremented) by a constant value. |
| Register Indirect Pre-Modified                            | Wn is pre-modified (incremented or decremented) by a signed constant value to form the EA.            |
| Register Indirect with Register Offset (Register Indexed) | The sum of Wn and Wb forms the EA.  |
| Register Indirect with Literal Offset                     | The sum of Wn and a literal forms the EA.   |

### 4.4.3 MOVE AND ACCUMULATOR INSTRUCTIONS

Move instructions and the DSP accumulator class of instructions provide a greater addressing flexibility than other instructions. In addition to the addressing modes supported by most MCU instructions, move and accumulator instructions also support Register Indirect with Register Offset Addressing mode, also referred to as Register Indexed mode.

**Note:** For the `MOV` instructions, the addressing mode specified in the instruction can differ for the source and destination EA. However, the 4-bit Wb (Register Offset) field is shared by both source and destination (but typically only used by one).

In summary, the following addressing modes are supported by move and accumulator instructions:

- Register Direct
- Register Indirect
- Register Indirect Post-Modified
- Register Indirect Pre-Modified
- Register Indirect with Register Offset (Indexed)
- Register Indirect with Literal Offset
- 8-Bit Literal
- 16-Bit Literal

**Note:** Not all instructions support all the addressing modes given above. Individual instructions may support different subsets of these addressing modes.

### 4.4.4 MAC INSTRUCTIONS

The dual source operand DSP instructions (`CLR`, `ED`, `EDAC`, `MAC`, `MPY`, `MPY.N`, `MOVSAC` and `MSC`), also referred to as `MAC` instructions, use a simplified set of addressing modes to allow the user application to effectively manipulate the Data Pointers through register indirect tables.

The Two-Source Operand Prefetch registers must be members of the set, {W8, W9, W10, W11}. For data reads, W8 and W9 are always directed to the X RAGU, and W10 and W11 are always directed to the Y AGU. The Effective Addresses generated (before and after modification) must, therefore, be valid addresses within X Data Space for W8 and W9, and Y Data Space for W10 and W11.

**Note:** Register Indirect with Register Offset Addressing mode is available only for W9 (in X Data Space) and W11 (in Y Data Space).

In summary, the following addressing modes are supported by the `MAC` class of instructions:

- Register Indirect
- Register Indirect Post-Modified by 2
- Register Indirect Post-Modified by 4
- Register Indirect Post-Modified by 6
- Register Indirect with Register Offset (Indexed)

### 4.4.5 OTHER INSTRUCTIONS

Besides the addressing modes outlined previously, some instructions use literal constants of various sizes. For example, `BRA` (Branch) instructions use 16-bit signed literals to specify the Branch destination directly, whereas the `DISI` instruction uses a 14-bit unsigned literal field. In some instructions, such as `ULNK`, the source of an operand or result is implied by the opcode itself. Certain operations, such as a `NOF`, do not have any operands.

# dsPIC33EVXXGM00X/10X FAMILY

## 4.5 Modulo Addressing

Modulo Addressing mode is a method of providing an automated means to support circular data buffers using hardware. The objective is to remove the need for software to perform data address boundary checks when executing tightly looped code, as is typical in many DSP algorithms.

Modulo Addressing can operate in either Data or Program Space (since the Data Pointer mechanism is essentially the same for both). One circular buffer can be supported in each of the X (which also provides the pointers into Program Space) and Y Data Spaces. Modulo Addressing can operate on any W Register Pointer. However, it is not advisable to use W14 or W15 for Modulo Addressing, since these two registers are used as the SFP and SSP, respectively.

In general, any particular circular buffer can be configured to operate in only one direction, as there are certain restrictions on the buffer start address (for incrementing buffers) or end address (for decrementing buffers), based upon the direction of the buffer.

The only exception to the usage restrictions is for buffers that have a power-of-two length. As these buffers satisfy the start and end address criteria, they can operate in a Bidirectional mode (that is, address boundary checks are performed on both the lower and upper address boundaries).

### 4.5.1 START AND END ADDRESS

The Modulo Addressing scheme requires that a starting and ending address be specified and loaded into the 16-bit Modulo Buffer Address registers: XMODSRT, XMODEND, YMODSRT and YMODEND (see Table 4-1).

**Note:** Y Data Space Modulo Addressing EA calculations assume word-sized data (LSb of every EA is always clear).

The length of a circular buffer is not directly specified. It is determined by the difference between the corresponding start and end addresses. The maximum possible length of the circular buffer is 32K words (64 Kbytes).

### 4.5.2 W ADDRESS REGISTER SELECTION

The Modulo and Bit-Reversed Addressing Control register, MODCON<15:0>, contains enable flags, as well as a W register field to specify the W Address registers. The XWM and YWM fields select the registers that operate with Modulo Addressing:

- If XWM = 1111, X RAGU and X WAGU Modulo Addressing is disabled
- If YWM = 1111, Y AGU Modulo Addressing is disabled

The X Address Space Pointer W register (XWM) to which Modulo Addressing is to be applied is stored in MODCON<3:0> (see Table 4-1). Modulo Addressing is enabled for X Data Space when XWM is set to any value other than '1111' and the XMODEN bit (MODCON<15>) is set

The Y Address Space Pointer W register (YWM) to which Modulo Addressing is to be applied is stored in MODCON<7:4>. Modulo Addressing is enabled for Y Data Space when YWM is set to any value other than '1111' and the YMODEN bit (MODCON<14>) is set.

Figure 4-15 shows an example of Modulo Addressing operation.

**FIGURE 4-15: MODULO ADDRESSING OPERATION EXAMPLE**



## 4.5.3 MODULO ADDRESSING APPLICABILITY

Modulo Addressing can be applied to the Effective Address (EA) calculation associated with any W register. Address boundaries check for addresses equal to:

- The upper boundary addresses for incrementing buffers
- The lower boundary addresses for decrementing buffers

The address boundaries check for addresses less than or greater than the upper (for incrementing buffers) and lower (for decrementing buffers) boundary addresses (not just equal to). Address changes can, therefore, jump beyond boundaries and still be adjusted correctly.

**Note:** The modulo corrected Effective Address is written back to the register only when Pre-Modify or Post-Modify Addressing mode is used to compute the Effective Address. When an address offset, such as [W7 + W2] is used, Modulo Addressing correction is performed, but the contents of the register remain unchanged.

## 4.6 Bit-Reversed Addressing

Bit-Reversed Addressing mode is intended to simplify data reordering for radix-2 FFT algorithms. It is supported by the X AGU for data writes only.

The modifier, which can be a constant value or register contents, is regarded as having its bit order reversed. The address source and destination are kept in normal order. Thus, the only operand requiring reversal is the modifier.

### 4.6.1 BIT-REVERSED ADDRESSING IMPLEMENTATION

Bit-Reversed Addressing mode is enabled when all of these conditions are met:

- BWM<3:0> bits (W register selection) in the MODCON register are any value other than '1111' (the stack cannot be accessed using Bit-Reversed Addressing)
- The BREN bit is set in the XBREV register
- The addressing mode used is Register Indirect with Pre-Increment or Post-Increment

If the length of a bit-reversed buffer is  $M = 2^N$  bytes, the last 'N' bits of the data buffer start address must be zeros.

XB<14:0> is the Bit-Reversed Addressing modifier, or 'pivot point', which is typically a constant. In the case of an FFT computation, its value is equal to half of the FFT data buffer size.

**Note:** All bit-reversed EA calculations assume word-sized data (LSb of every EA is always clear). The XB value is scaled accordingly to generate compatible (byte) addresses.

When enabled, Bit-Reversed Addressing is executed only for Register Indirect with Pre-Increment or Post-Increment Addressing and word-sized data writes. It does not function for any other addressing mode or for byte-sized data and normal addresses are generated instead. When Bit-Reversed Addressing is active, the W Address Pointer is always added to the address modifier (XB) and the offset associated with the Register Indirect Addressing mode is ignored. In addition, as word-sized data is a requirement, the LSb of the EA is ignored (and always clear).

**Note:** Modulo Addressing and Bit-Reversed Addressing can be enabled simultaneously using the same W register, but Bit-Reversed Addressing operation will always take precedence for data writes when enabled.

If Bit-Reversed Addressing has already been enabled by setting the BREN (XBREV<15>) bit, a write to the XBREV register should not be immediately followed by an indirect read operation using the W register that has been designated as the Bit-Reversed Pointer.

The operation of Bit-Reversed Addressing is shown in [Figure 4-16](#) and [Table 4-46](#).

# dsPIC33EVXXGM00X/10X FAMILY

**FIGURE 4-16: BIT-REVERSED ADDRESSING EXAMPLE**



**TABLE 4-46: BIT-REVERSED ADDRESSING SEQUENCE (16-ENTRY)**

| Normal Address |    |    |    |         | Bit-Reversed Address |    |    |    |         |
|----------------|----|----|----|---------|----------------------|----|----|----|---------|
| A3             | A2 | A1 | A0 | Decimal | A3                   | A2 | A1 | A0 | Decimal |
| 0              | 0  | 0  | 0  | 0       | 0                    | 0  | 0  | 0  | 0       |
| 0              | 0  | 0  | 1  | 1       | 1                    | 0  | 0  | 0  | 8       |
| 0              | 0  | 1  | 0  | 2       | 0                    | 1  | 0  | 0  | 4       |
| 0              | 0  | 1  | 1  | 3       | 1                    | 1  | 0  | 0  | 12      |
| 0              | 1  | 0  | 0  | 4       | 0                    | 0  | 1  | 0  | 2       |
| 0              | 1  | 0  | 1  | 5       | 1                    | 0  | 1  | 0  | 10      |
| 0              | 1  | 1  | 0  | 6       | 0                    | 1  | 1  | 0  | 6       |
| 0              | 1  | 1  | 1  | 7       | 1                    | 1  | 1  | 0  | 14      |
| 1              | 0  | 0  | 0  | 8       | 0                    | 0  | 0  | 1  | 1       |
| 1              | 0  | 0  | 1  | 9       | 1                    | 0  | 0  | 1  | 9       |
| 1              | 0  | 1  | 0  | 10      | 0                    | 1  | 0  | 1  | 5       |
| 1              | 0  | 1  | 1  | 11      | 1                    | 1  | 0  | 1  | 13      |
| 1              | 1  | 0  | 0  | 12      | 0                    | 0  | 1  | 1  | 3       |
| 1              | 1  | 0  | 1  | 13      | 1                    | 0  | 1  | 1  | 11      |
| 1              | 1  | 1  | 0  | 14      | 0                    | 1  | 1  | 1  | 7       |
| 1              | 1  | 1  | 1  | 15      | 1                    | 1  | 1  | 1  | 15      |

# dsPIC33EVXXGM00X/10X FAMILY

## 4.7 Interfacing Program and Data Memory Spaces

The dsPIC33EVXXGM00X/10X family architecture uses a 24-bit wide Program Space and a 16-bit wide Data Space. The architecture is also a modified Harvard scheme, meaning that data can also be present in the Program Space. To use this data successfully, it must be accessed in a way that preserves the alignment of information in both the spaces.

Aside from normal execution, the architecture of the dsPIC33EVXXGM00X/10X family devices provides two methods by which Program Space can be accessed during operation:

- Using table instructions to access individual bytes or words anywhere in the Program Space
- Remapping a portion of the Program Space into the Data Space (Program Space Visibility)

Table instructions allow an application to read or write to small areas of the program memory. This capability makes the method ideal for accessing data tables that need to be updated periodically. It also allows access to all bytes of the program word. The remapping method allows an application to access a large block of data on a read-only basis, which is ideal for look-ups from a large table of static data. The application can only access the least significant word of the program word.

Table 4-47 shows the construction of the Program Space address.

How the data is accessed from Program Space is shown in Figure 4-17.

**TABLE 4-47: PROGRAM SPACE ADDRESS CONSTRUCTION**

| Access Type                            | Access Space  | Program Space Address         |          |               |        |     |
|--|---------------|-------------------------------|----------|---------------|--------|-----|
|  |               | <23>                          | <22:16>  | <15>          | <14:1> | <0> |
| Instruction Access<br>(Code Execution) | User          | 0                             | PC<22:1> |               |        | 0   |
|  |               | 0xx xxxx xxxx xxxx xxxx xxx0  |          |               |        |     |
| TBLRD/TBLWT<br>(Byte/Word Read/Write)  | User          | TBLPAG<7:0>                   |          | Data EA<15:0> |        |     |
|  |               | 0xxx xxxx xxxx xxxx xxxx xxxx |          |               |        |     |
|  | Configuration | TBLPAG<7:0>                   |          | Data EA<15:0> |        |     |
|  |               | 1xxx xxxx xxxx xxxx xxxx xxxx |          |               |        |     |

# dsPIC33EVXXGM00X/10X FAMILY

**FIGURE 4-17: DATA ACCESS FROM PROGRAM SPACE ADDRESS GENERATION**





## 4.7.1 DATA ACCESS FROM PROGRAM MEMORY USING TABLE INSTRUCTIONS

The `TBLRDL` and `TBLWTL` instructions offer a direct method of reading or writing the lower word of any address within the Program Space without going through the Data Space. The `TBLRDH` and `TBLWTH` instructions are the only method to read or write the upper 8 bits of a Program Space word as data.

The PC is incremented by two for each successive 24-bit program word. This allows program memory addresses to directly map to Data Space addresses. Program memory can thus be regarded as two 16-bit wide word address spaces, residing side by side, each with the same address range. The `TBLRDL` and `TBLWTL` instructions access the space that contains the least significant data word. `TBLRDH` and `TBLWTH` access the space that contains the upper data byte.

Two table instructions are provided to move byte or word-sized (16-bit) data to and from Program Space. Both function as either byte or word operations.

- `TBLRDL` (Table Read Low):
  - In Word mode, this instruction maps the lower word of the Program Space location ( $P<15:0>$ ) to a data address ( $D<15:0>$ ).
  - In Byte mode, either the upper or lower byte of the lower program word is mapped to the lower byte of a data address. The upper byte is selected when Byte Select is '1'; the lower byte is selected when it is '0'.

- `TBLRDH` (Table Read High):
  - In Word mode, this instruction maps the entire upper word of a program address ( $P<23:16>$ ) to a data address. The 'phantom' byte ( $D<15:8>$ ) is always '0'.
  - In Byte mode, this instruction maps the upper or lower byte of the program word to  $D<7:0>$  of the data address, as in the `TBLRDL` instruction. The data is always '0' when the upper 'phantom' byte is selected (Byte Select = 1).

Similarly, two table instructions, `TBLWTH` and `TBLWTL`, are used to write individual bytes or words to a Program Space address. The details of their operation are explained in [Section 5.0 "Flash Program Memory"](#).

For all table operations, the area of program memory space to be accessed is determined by the Table Page register (`TBLPAG`). `TBLPAG` covers the entire program memory space of the device, including user application and configuration spaces. When `TBLPAG<7> = 0`, the table page is located in the user memory space. When `TBLPAG<7> = 1`, the page is located in configuration space. Accessing the program memory with table instructions is shown in [Figure 4-18](#).

**FIGURE 4-18: ACCESSING PROGRAM MEMORY WITH TABLE INSTRUCTIONS**



# dsPIC33EVXXGM00X/10X FAMILY

---

---

NOTES:

## 5.0 FLASH PROGRAM MEMORY

**Note 1:** This data sheet summarizes the features of the dsPIC33EVXXGM00X/10X family of devices. It is not intended to be a comprehensive reference source. To complement the information in this data sheet, refer to “Flash Programming” (DS70609) in the “dsPIC33/PIC24 Family Reference Manual”, which is available from the Microchip web site ([www.microchip.com](http://www.microchip.com)).

**2:** Some registers and associated bits described in this section may not be available on all devices. Refer to **Section 4.0 “Memory Organization”** in this data sheet for device-specific register and bit information.

The dsPIC33EVXXGM00X/10X family devices contain internal Flash program memory for storing and executing application code. The memory is readable, writable and erasable during normal operation over the entire VDD range.

The Flash memory can be programmed in the following three ways:

- In-Circuit Serial Programming™ (ICSP™)
- Run-Time Self-Programming (RTSP)
- Enhanced In-Circuit Serial Programming (Enhanced ICSP)

ICSP allows for a dsPIC33EVXXGM00X/10X family device to be serially programmed while in the end application circuit. This is done with two lines for programming clock and programming data (PGECx/PGEDx) lines, and three other lines for power (VDD), ground (VSS) and Master Clear (MCLR). This allows customers to manufacture boards with unprogrammed

devices and then program the device just before shipping the product. This also allows the most recent firmware or a custom firmware to be programmed.

Enhanced ICSP uses an on-board bootloader, known as the Program Executive (PE), to manage the programming process. Using an SPI data frame format, the Program Executive can erase, program and verify program memory. For more information on Enhanced ICSP, refer to the specific device programming specification.

RTSP is accomplished using the TBLRD (Table Read) and TBLWT (Table Write) instructions. With RTSP, the user application can write program memory data as a double program memory word, a row of 64 instructions (192 bytes) and erase program memory in blocks of 512 instruction words (1536 bytes) at a time.

### 5.1 Table Instructions and Flash Programming

The Flash memory read and the double-word programming operations make use of the TBLRD and TBLWT instructions, respectively. These allow direct read and write access to the program memory space from the data memory while the device is in normal operating mode. The 24-bit target address in the program memory is formed using bits<7:0> of the TBLPAG register and the Effective Address (EA) from a W register, specified in the table instruction, as shown in **Figure 5-1**.

The TBLRDL and the TBLWTL instructions are used to read or write to bits<15:0> of the program memory. TBLRDL and TBLWTL can access program memory in both Word and Byte modes.

The TBLRDH and TBLWTH instructions are used to read or write to bits<23:16> of the program memory. TBLRDH and TBLWTH can also access program memory in Word or Byte mode.

**FIGURE 5-1: ADDRESSING FOR TABLE REGISTERS**



# dsPIC33EVXXGM00X/10X FAMILY

## 5.2 RTSP Operation

RTSP allows the user application to erase a single page of memory, program a row and to program two instruction words at a time. See Table 1 in the “dsPIC33EVXXGM00X/10X Product Families” section for the page sizes of each device. memory array is organized into rows of 64 instructions or 192 bytes. RTSP allows the user application to era

The Flash program memory array is organized into rows of 64 instructions or 192 bytes. RTSP allows the user application to erase a page of program memory, which consists of eight rows (512 instructions) at a time, and to program one row or two adjacent words at a time. The 8-row erase pages and single row write rows are edge-aligned, from the beginning of program memory, on boundaries of 1536 bytes and 192 bytes, respectively. Table 30-13 in Section 30.0 “Electrical Characteristics” lists the typical erase and programming times.

The basic sequence for RTSP word programming is to use the TBLWTL and TBLWTH instructions to load two of the 24-bit instructions into the write latches found in configuration memory space. See Figure 4-1 to Figure 4-5 for write latch addresses. Programming is performed by unlocking and setting the control bits in the NVMCON register.

Row programming is performed by loading 192 bytes into data memory and then loading the address of the first byte in that row into the NVMSRCADR register. Once the write has been initiated, the device will automatically load the write latches and increment the NVMSRCADR and the NVMADR(U) registers until all bytes have been programmed. The RPDF bit (NVMCON<9>) selects the format of the stored data in RAM to be either compressed or uncompressed. See Figure 5-2 for data formatting. Compressed data helps to reduce the amount of required RAM by using the upper byte of the second word for the MSB of the second instruction.

For more information on erasing and programming the Flash memory, refer to “Flash Programming” (DS70609) in the “dsPIC33/PIC24 Family Reference Manual”.

- Note 1:** Before reprogramming either of the two words in a double-word pair, the user must erase the Flash memory page in which it is located.
- 2:** Before reprogramming any word in a row, the user must erase the Flash memory page in which it is located.

**FIGURE 5-2: UNCOMPRESSED/COMPRESSED FORMAT**



## 5.3 Programming Operations

A complete programming sequence is necessary for programming or erasing the internal Flash in RTSP mode. The processor stalls (waits) until the programming operation is finished. Setting the WR bit (NVMCON<15>) starts the operation and the WR bit is automatically cleared when the operation is finished.

### 5.3.1 PROGRAMMING ALGORITHM FOR FLASH PROGRAM MEMORY

Programmers can program two adjacent words (24 bits x 2) of program Flash memory at a time on every other word address boundary (0x000002, 0x000006, 0x00000A, etc.). To do this, erase the page that contains the desired address of the location the user wants to change. For protection against accidental operations, the write initiate sequence for NVMKEY must be used to allow any erase or program operation to proceed. After the programming command has been executed, the user application must wait for the programming time until programming is complete. The two instructions following the start of the programming sequence should be NOPs.

Refer to “Flash Programming” (DS70609) in the “dsPIC33/PIC24 Family Reference Manual” for details and code examples on programming using RTSP.

## 5.4 Error Correcting Code (ECC)

In order to improve program memory performance and durability, these devices include Error Correcting Code functionality (ECC) as an integral part of the Flash memory controller. ECC can determine the presence of single-bit errors in program data, including which bit is in error, and correct the data automatically without user intervention. ECC cannot be disabled.

When data is written to program memory, ECC generates a 7-bit Hamming code parity value for every two (24-bit) instruction words. The data is stored in blocks of 48 data bits and 7 parity bits; parity data is not memory-mapped and is inaccessible. When the data is read back, the ECC calculates the parity on it and compares it to the previously stored parity value. If a parity mismatch occurs, there are two possible outcomes:

- Single-bit errors are automatically identified and corrected on read-back. An optional device-level interrupt (ECCSBEIF) is also generated.
- Double-bit errors will generate a generic hard trap and the read data is not changed. If special exception handling for the trap is not implemented, a device Reset will also occur.

To use the single-bit error interrupt, set the ECC Single-Bit Error Interrupt Enable bit (ECCSBEIE) and configure the ECCSBEIP bits to set the appropriate interrupt priority.

Except for the single-bit error interrupt, error events are not captured or counted by hardware. This functionality can be implemented in the software application, but it is the user's responsibility to do so.

## 5.5 Flash Memory Resources

Many useful resources are provided on the main product page of the Microchip web site for the devices listed in this data sheet. This product page contains the latest updates and additional information.

### 5.5.1 KEY RESOURCES

- Code Samples
- Application Notes
- Software Libraries
- Webinars
- All Related "*dsPIC33/PIC24 Family Reference Manual*" Sections
- Development Tools

## 5.6 Control Registers

The following five SFRs are used to read and write the program Flash memory: NVMCON, NVMKEY, NVMADR, NVMADRU and NVMSRCADR.

The NVMCON register ([Register 5-1](#)) selects the operation to be performed (page erase, word/row program, inactive panel erase) and initiates the program/erase cycle.

NVMKEY ([Register 5-4](#)) is a write-only register that is used for write protection. To start a programming or erase sequence, the user application must consecutively write 0x55 and 0xAA to the NVMKEY register.

There are two NVM Address registers: NVMADRU and NVMADR. These two registers, when concatenated, form the 24-bit Effective Address (EA) of the selected word/row for programming operations or the selected page for erase operations. The NVMADRU register is used to hold the upper 8 bits of the EA, while the NVMADR register is used to hold the lower 16 bits of the EA. For row programming operation, data to be written to program Flash memory is written into data memory space (RAM) at an address defined by the NVMSRCADR register (location of the first element in row programming data).

# dsPIC33EVXXGM00X/10X FAMILY

## REGISTER 5-1: NVMCON: NONVOLATILE MEMORY (NVM) CONTROL REGISTER

|                   |                     |                      |                        |     |     |       |       |
|-------------------|---------------------|----------------------|------------------------|-----|-----|-------|-------|
| R/SO-0            | R/W-0               | R/W-0                | R/W-0                  | U-0 | U-0 | R/W-0 | R/W-0 |
| WR <sup>(1)</sup> | WREN <sup>(1)</sup> | WRERR <sup>(1)</sup> | NVMSIDL <sup>(2)</sup> | —   | —   | RPDF  | URERR |
| bit 15            |                     |                      |                        |     |     |       | bit 8 |

|       |     |     |     |                           |                           |                           |                           |
|-------|-----|-----|-----|---------------------------|---------------------------|---------------------------|---------------------------|
| U-0   | U-0 | U-0 | U-0 | R/W-0                     | R/W-0                     | R/W-0                     | R/W-0                     |
| —     | —   | —   | —   | NVMOP3 <sup>(1,3,4)</sup> | NVMOP2 <sup>(1,3,4)</sup> | NVMOP1 <sup>(1,3,4)</sup> | NVMOP0 <sup>(1,3,4)</sup> |
| bit 7 |     |     |     |                           |                           |                           | bit 0                     |

|                   |                        |                                    |                    |
|-------------------|------------------------|------------------------------------|--------------------|
| <b>Legend:</b>    | SO = Settable Only bit |                                    |                    |
| R = Readable bit  | W = Writable bit       | U = Unimplemented bit, read as '0' |                    |
| -n = Value at POR | '1' = Bit is set       | '0' = Bit is cleared               | x = Bit is unknown |

- bit 15      **WR:** Write Control bit<sup>(1)</sup>  
 1 = Initiates a Flash memory program or erase operation; the operation is self-timed and the bit is cleared by hardware once the operation is complete  
 0 = Program or erase operation is complete and inactive
- bit 14      **WREN:** Write Enable bit<sup>(1)</sup>  
 1 = Flash program or erase operations are enabled  
 0 = Flash program or erase operations are inhibited
- bit 13      **WRERR:** Write Sequence Error Flag bit<sup>(1)</sup>  
 1 = An improper program or erase sequence attempt, or termination has occurred (bit is set automatically on any set attempt of the WR bit)  
 0 = The program or erase operation completed normally
- bit 12      **NVMSIDL:** NVM Stop in Idle Control bit<sup>(2)</sup>  
 1 = Primary Flash operation discontinues when the device enters Idle mode  
 0 = Primary Flash operation continues when the device enters Idle mode.
- bit 11-10   **Unimplemented:** Read as '0'
- bit 9        **RPDF:** Row Programming Data Format Control bit  
 1 = Row data to be stored in RAM is in a compressed format  
 0 = Row data to be stored in RAM is in an uncompressed format
- bit 8        **URERR:** Row Programming Data Underrun Error Flag bit  
 1 = Row programming operation has been terminated due to a data underrun error  
 0 = No data underrun has occurred
- bit 7-4     **Unimplemented:** Read as '0'

- Note 1:** These bits can only be reset on a POR.
- 2:** If this bit is set, there will be minimal power savings (IDLE), and upon exiting Idle mode, there is a delay (TVREG) before Flash memory becomes operational.
- 3:** All other combinations of NVMOP<3:0> are unimplemented.
- 4:** Execution of the PWRSAV instruction is ignored while any of the NVM operations are in progress.
- 5:** Two adjacent words on a 4-word boundary are programmed during execution of this operation.

# dsPIC33EVXXGM00X/10X FAMILY

---

---

## REGISTER 5-1: NVMCON: NONVOLATILE MEMORY (NVM) CONTROL REGISTER (CONTINUED)

bit 3-0      **NVMOP<3:0>**: NVM Operation Select bits<sup>(1,3,4)</sup>

- 1111 = Reserved
- 1110 = User memory and executive memory bulk erase operation
- 1101 = Reserved
- 1100 = Reserved
- 1011 = Reserved
- 1010 = Reserved
- 1001 = Reserved
- 1000 = Reserved
- 0111 = Reserved
- 0101 = Reserved
- 0100 = Reserved
- 0011 = Memory page erase operation
- 0010 = Memory row program operation
- 0001 = Memory double-word<sup>(5)</sup>
- 0000 = Reserved

- Note 1:** These bits can only be reset on a POR.
- 2:** If this bit is set, there will be minimal power savings (IDLE), and upon exiting Idle mode, there is a delay (TVREG) before Flash memory becomes operational.
- 3:** All other combinations of NVMOP<3:0> are unimplemented.
- 4:** Execution of the PWRSAV instruction is ignored while any of the NVM operations are in progress.
- 5:** Two adjacent words on a 4-word boundary are programmed during execution of this operation.

# dsPIC33EVXXGM00X/10X FAMILY

## REGISTER 5-2: NVMADRU: NONVOLATILE MEMORY UPPER ADDRESS REGISTER

|        |     |     |     |     |     |     |       |
|--------|-----|-----|-----|-----|-----|-----|-------|
| U-0    | U-0 | U-0 | U-0 | U-0 | U-0 | U-0 | U-0   |
| —      | —   | —   | —   | —   | —   | —   | —     |
| bit 15 |     |     |     |     |     |     | bit 8 |

|                |       |       |       |       |       |       |       |
|----------------|-------|-------|-------|-------|-------|-------|-------|
| R/W-x          | R/W-x | R/W-x | R/W-x | R/W-x | R/W-x | R/W-x | R/W-x |
| NVMADRU<23:16> |       |       |       |       |       |       |       |
| bit 7          |       |       |       |       |       |       | bit 0 |

**Legend:**

R = Readable bit                      W = Writable bit                      U = Unimplemented bit, read as '0'  
 -n = Value at POR                      '1' = Bit is set                      '0' = Bit is cleared                      x = Bit is unknown

bit 15-8                      **Unimplemented:** Read as '0'

bit 7-0                      **NVMADRU<23:16>:** NVM Memory Upper Write Address bits

Selects the upper 8 bits of the location to program or erase in program Flash memory. This register may be read or written to by the user application.

## REGISTER 5-3: NVMADR: NONVOLATILE MEMORY LOWER ADDRESS REGISTER

|              |       |       |       |       |       |       |       |
|--------------|-------|-------|-------|-------|-------|-------|-------|
| R/W-x        | R/W-x | R/W-x | R/W-x | R/W-x | R/W-x | R/W-x | R/W-x |
| NVMADR<15:8> |       |       |       |       |       |       |       |
| bit 15       |       |       |       |       |       |       | bit 8 |

|             |       |       |       |       |       |       |       |
|-------------|-------|-------|-------|-------|-------|-------|-------|
| R/W-x       | R/W-x | R/W-x | R/W-x | R/W-x | R/W-x | R/W-x | R/W-x |
| NVMADR<7:0> |       |       |       |       |       |       |       |
| bit 7       |       |       |       |       |       |       | bit 0 |

**Legend:**

R = Readable bit                      W = Writable bit                      U = Unimplemented bit, read as '0'  
 -n = Value at POR                      '1' = Bit is set                      '0' = Bit is cleared                      x = Bit is unknown

bit 15-0                      **NVMADR<15:0>:** NVM Memory Lower Write Address bits

Selects the lower 16 bits of the location to program or erase in program Flash memory. This register may be read or written to by the user application.



# dsPIC33EVXXGM00X/10X FAMILY

---

## REGISTER 5-4: NVMKEY: NONVOLATILE MEMORY KEY REGISTER

|        |     |     |     |     |     |     |       |
|--------|-----|-----|-----|-----|-----|-----|-------|
| U-0    | U-0 | U-0 | U-0 | U-0 | U-0 | U-0 | U-0   |
| —      | —   | —   | —   | —   | —   | —   | —     |
| bit 15 |     |     |     |     |     |     | bit 8 |

|             |     |     |     |     |     |     |       |
|-------------|-----|-----|-----|-----|-----|-----|-------|
| W-0         | W-0 | W-0 | W-0 | W-0 | W-0 | W-0 | W-0   |
| NVMKEY<7:0> |     |     |     |     |     |     |       |
| bit 7       |     |     |     |     |     |     | bit 0 |

|                   |                  |                                    |                    |
|-------------------|------------------|------------------------------------|--------------------|
| <b>Legend:</b>    |                  |                                    |                    |
| R = Readable bit  | W = Writable bit | U = Unimplemented bit, read as '0' |                    |
| -n = Value at POR | '1' = Bit is set | '0' = Bit is cleared               | x = Bit is unknown |

bit 15-8      **Unimplemented:** Read as '0'

bit 7-0      **NVMKEY<7:0>:** NVM Key Register bits (write-only)

# dsPIC33EVXXGM00X/10X FAMILY

## REGISTER 5-5: NVMSRCADRH: NVM DATA MEMORY UPPER ADDRESS REGISTER

|        |     |     |     |     |     |     |       |
|--------|-----|-----|-----|-----|-----|-----|-------|
| U-0    | U-0 | U-0 | U-0 | U-0 | U-0 | U-0 | U-0   |
| —      | —   | —   | —   | —   | —   | —   | —     |
| bit 15 |     |     |     |     |     |     | bit 8 |

|                  |       |       |       |       |       |       |       |
|------------------|-------|-------|-------|-------|-------|-------|-------|
| R/W-x            | R/W-x | R/W-x | R/W-x | R/W-x | R/W-x | R/W-x | R/W-x |
| NVMSRCADR<23:16> |       |       |       |       |       |       |       |
| bit 7            |       |       |       |       |       |       | bit 0 |

**Legend:**

R = Readable bit                      W = Writable bit                      U = Unimplemented bit, read as '0'  
 -n = Value at POR                      '1' = Bit is set                      '0' = Bit is cleared                      x = Bit is unknown

bit 15-8                      **Unimplemented:** Read as '0'  
 bit 7-0                      **NVMSRCADRH<23:16>:** Data Memory Upper Address bits

## REGISTER 5-6: NVMSRCADRL: NVM DATA MEMORY LOWER ADDRESS REGISTER

|                 |       |       |       |       |       |       |       |
|-----------------|-------|-------|-------|-------|-------|-------|-------|
| R/W-x           | R/W-x | R/W-x | R/W-x | R/W-x | R/W-x | R/W-x | R/W-x |
| NVMSRCADR<15:8> |       |       |       |       |       |       |       |
| bit 15          |       |       |       |       |       |       | bit 8 |

|                |       |       |       |       |       |       |       |
|----------------|-------|-------|-------|-------|-------|-------|-------|
| R/W-x          | R/W-x | R/W-x | R/W-x | R/W-x | R/W-x | R/W-x | r-0   |
| NVMSRCADR<7:1> |       |       |       |       |       |       | —     |
| bit 7          |       |       |       |       |       |       | bit 0 |

**Legend:**

r = Reserved bit                      U = Unimplemented bit, read as '0'  
 R = Readable bit                      W = Writable bit                      '1' = Bit is set                      '0' = Bit is cleared                      x = Bit is unknown

bit 15-1                      **NVMSRCADRL<15:1>:** Data Memory Lower Address bits  
 bit 0                      **Reserved:** Maintain as '0'

## 6.0 RESETS

**Note 1:** This data sheet summarizes the features of the dsPIC33EVXXGM00X/10X family of devices. It is not intended to be a comprehensive reference source. To complement the information in this data sheet, refer to “Reset” (DS70602) in the “dsPIC33/PIC24 Family Reference Manual”, which is available from the Microchip web site ([www.microchip.com](http://www.microchip.com)).

**2:** Some registers and associated bits described in this section may not be available on all devices. Refer to [Section 4.0 “Memory Organization”](#) in this data sheet for device-specific register and bit information.

The Reset module combines all Reset sources and controls the device Master Reset Signal,  $\overline{\text{SYSRST}}$ . The following is a list of device Reset sources:

- POR: Power-on Reset
- BOR: Brown-out Reset
- $\overline{\text{MCLR}}$ : Master Clear Pin Reset
- SWR: RESET Instruction
- WDTO: Watchdog Timer Time-out Reset
- CM: Configuration Mismatch Reset
- TRAPR: Trap Conflict Reset
- IOPUWR: Illegal Condition Device Reset
  - Illegal Opcode Reset
  - Uninitialized W Register Reset
  - Security Reset
  - Illegal Address Mode Reset

A simplified block diagram of the Reset module is shown in [Figure 6-1](#).

Any active source of Reset will make the  $\overline{\text{SYSRST}}$  signal active. On system Reset, some of the registers associated with the CPU and peripherals are forced to a known Reset state and some are unaffected.

**Note:** Refer to the specific peripheral section or [Section 4.0 “Memory Organization”](#) of this device data sheet for register Reset states.

All types of device Reset set a corresponding status bit in the RCON register to indicate the type of Reset (see [Register 6-1](#)).

A POR clears all the bits, except for the POR and BOR bits (RCON<1:0>) that are set. The user application can set or clear any bit at any time during code execution. The RCON bits only serve as status bits. Setting a particular Reset status bit in software does not cause a device Reset to occur.

The RCON register also has other bits associated with the Watchdog Timer and device power-saving states. The function of these bits is discussed in the other sections of this device data sheet.

**Note:** The status bits in the RCON register should be cleared after they are read. Therefore, the next RCON register value after a device Reset is meaningful.

**Note:** In all types of Resets, to select the device clock source, the contents of OSCCON are initialized from the FNOSC<sub>x</sub> Configuration bits in the FOSCSEL Configuration register.

# dsPIC33EVXXXGM00X/10X FAMILY

FIGURE 6-1: RESET SYSTEM BLOCK DIAGRAM



# dsPIC33EVXXGM00X/10X FAMILY

## REGISTER 6-1: RCON: RESET CONTROL REGISTER<sup>(1)</sup>

|        |        |     |     |        |     |       |       |
|--------|--------|-----|-----|--------|-----|-------|-------|
| R/W-0  | R/W-0  | U-0 | U-0 | R/W-0  | U-0 | R/W-0 | R/W-0 |
| TRAPR  | IOPUWR | —   | —   | VREGSF | —   | CM    | VREGS |
| bit 15 |        |     |     |        |     |       | bit 8 |

|       |       |                       |       |       |       |       |       |
|-------|-------|-----------------------|-------|-------|-------|-------|-------|
| R/W-0 | R/W-0 | R/W-0                 | R/W-0 | R/W-0 | R/W-0 | R/W-1 | R/W-1 |
| EXTR  | SWR   | SWDTEN <sup>(2)</sup> | WDTO  | SLEEP | IDLE  | BOR   | POR   |
| bit 7 |       |                       |       |       |       |       | bit 0 |

### Legend:

R = Readable bit                      W = Writable bit                      U = Unimplemented bit, read as '0'  
 -n = Value at POR                      '1' = Bit is set                      '0' = Bit is cleared                      x = Bit is unknown

- bit 15            **TRAPR:** Trap Reset Flag bit  
 1 = A Trap Conflict Reset has occurred  
 0 = A Trap Conflict Reset has not occurred
- bit 14            **IOPUWR:** Illegal Opcode or Uninitialized W Register Access Reset Flag bit  
 1 = An Illegal Opcode detection or an Illegal Address mode, or Uninitialized W register used as an Address Pointer caused a Reset  
 0 = An Illegal Opcode Reset or Uninitialized W Register Reset has not occurred
- bit 13-12        **Unimplemented:** Read as '0'
- bit 11            **VREGSF:** Flash Voltage Regulator Standby During Sleep bit  
 1 = Flash voltage regulator is active during Sleep mode  
 0 = Flash voltage regulator goes into Standby mode during Sleep mode
- bit 10            **Unimplemented:** Read as '0'
- bit 9             **CM:** Configuration Mismatch Flag bit  
 1 = A Configuration Mismatch Reset has occurred.  
 0 = A Configuration Mismatch Reset has not occurred
- bit 8             **VREGS:** Voltage Regulator Standby During Sleep bit  
 1 = Voltage regulator is active during Sleep  
 0 = Voltage regulator goes into Standby mode during Sleep
- bit 7             **EXTR:** External Reset ( $\overline{\text{MCLR}}$ ) Pin bit  
 1 = A Master Clear (pin) Reset has occurred  
 0 = A Master Clear (pin) Reset has not occurred
- bit 6             **SWR:** Software RESET (Instruction) Flag bit  
 1 = A RESET instruction has been executed  
 0 = A RESET instruction has not been executed
- bit 5             **SWDTEN:** Software Enable/Disable of WDT bit<sup>(2)</sup>  
 1 = WDT is enabled  
 0 = WDT is disabled
- bit 4             **WDTO:** Watchdog Timer Time-out Flag bit  
 1 = WDT time-out has occurred  
 0 = WDT time-out has not occurred

**Note 1:** All of the Reset status bits can be set or cleared in software. Setting one of these bits in software does not cause a device Reset.

**2:** If the FWDTEN<1:0> Configuration bits are '11' (unprogrammed), the WDT is always enabled, regardless of the SWDTEN bit setting.

# dsPIC33EVXXGM00X/10X FAMILY

---

---

## REGISTER 6-1: RCON: RESET CONTROL REGISTER<sup>(1)</sup> (CONTINUED)

|       |   |
|-------|---|
| bit 3 | <b>SLEEP:</b> Wake-up from Sleep Flag bit<br>1 = Device has been in Sleep mode<br>0 = Device has not been in Sleep mode |
| bit 2 | <b>IDLE:</b> Wake-up from Idle Flag bit<br>1 = Device was in Idle mode<br>0 = Device was not in Idle mode               |
| bit 1 | <b>BOR:</b> Brown-out Reset Flag bit<br>1 = A Brown-out Reset has occurred<br>0 = A Brown-out Reset has not occurred    |
| bit 0 | <b>POR:</b> Power-on Reset Flag bit<br>1 = A Power-on Reset has occurred<br>0 = A Power-on Reset has not occurred       |

- Note 1:** All of the Reset status bits can be set or cleared in software. Setting one of these bits in software does not cause a device Reset.
- 2:** If the FWDTEN<1:0> Configuration bits are '11' (unprogrammed), the WDT is always enabled, regardless of the SWDTEN bit setting.

## 7.0 INTERRUPT CONTROLLER

**Note 1:** This data sheet summarizes the features of the dsPIC33EVXXGM00X/10X family of devices. It is not intended to be a comprehensive reference source. To complement the information in this data sheet, refer to “Interrupts” (DS70000600) in the “dsPIC33/PIC24 Family Reference Manual”, which is available from the Microchip web site ([www.microchip.com](http://www.microchip.com)).

**2:** Some registers and associated bits described in this section may not be available on all devices. Refer to [Section 4.0 “Memory Organization”](#) in this data sheet for device-specific register and bit information.

The dsPIC33EVXXGM00X/10X family interrupt controller reduces the numerous peripheral interrupt request signals to a single interrupt request signal to the dsPIC33EVXXGM00X/10X CPU. The Interrupt Vector Table (IVT) provides 246 interrupt sources (unused sources are reserved for future use) that can be programmed with different priority levels.

The interrupt controller has the following features:

- Interrupt Vector Table with up to 246 Vectors
- Alternate Interrupt Vector Table (AIVT)
- Up to Eight Processor Exceptions and Software Traps
- Seven User-Selectable Priority Levels
- Interrupt Vector Table (IVT) with a Unique Vector for Each Interrupt or Exception Source
- Fixed Priority within a Specified User Priority Level
- Fixed Interrupt Entry and Return Latencies
- Software can Generate any Peripheral Interrupt
- Alternate Interrupt Vector Table (AIVT) is available if Boot Security is Enabled and AIVTEN = 1

## 7.1 Interrupt Vector Table

The dsPIC33EVXXGM00X/10X family IVT, shown in [Figure 7-2](#), resides in program memory, starting at location, 000004h. The IVT contains seven non-maskable trap vectors and up to 187 sources of interrupt. In general, each interrupt source has its own vector. Each interrupt vector contains a 24-bit wide address. The value programmed into each interrupt vector location is the starting address of the associated Interrupt Service Routine (ISR).

Interrupt vectors are prioritized in terms of their natural priority. This priority is linked to their position in the vector table. Lower addresses generally have a higher natural priority. For example, the interrupt associated with Vector 0 takes priority over interrupts at any other vector address.

## 7.2 Alternate Interrupt Vector Table

The Alternate Interrupt Vector Table (AIVT), shown in [Figure 7-1](#), is available if the Boot Segment (BS) is defined, the AIVTEN bit is set in the INTCON2 register and if the AIVTDIS Configuration bit is set to ‘1’. The AIVT begins at the start of the last page of the Boot Segment.

# dsPIC33EVXXGM00X/10X FAMILY

**FIGURE 7-1: dsPIC33EVXXGM00X/10X FAMILY ALTERNATE INTERRUPT VECTOR TABLE**

|                      |   |   |
|----------------------|---|---|
| IVT                  | Reserved  | $\text{BSLIM}\langle 12:0 \rangle^{(1)} + 0x000000$ |
|                      | Reserved  | $\text{BSLIM}\langle 12:0 \rangle^{(1)} + 0x000002$ |
|                      | Oscillator Fail Trap Vector                         | $\text{BSLIM}\langle 12:0 \rangle^{(1)} + 0x000004$ |
|                      | Address Error Trap Vector                           | $\text{BSLIM}\langle 12:0 \rangle^{(1)} + 0x000006$ |
|                      | Generic Hard Trap Vector                            | $\text{BSLIM}\langle 12:0 \rangle^{(1)} + 0x000008$ |
|                      | Stack Error Trap Vector                             | $\text{BSLIM}\langle 12:0 \rangle^{(1)} + 0x00000A$ |
|                      | Math Error Trap Vector                              | $\text{BSLIM}\langle 12:0 \rangle^{(1)} + 0x00000C$ |
|                      | DMAC Error Trap Vector                              | $\text{BSLIM}\langle 12:0 \rangle^{(1)} + 0x00000E$ |
|                      | Generic Soft Trap Vector                            | $\text{BSLIM}\langle 12:0 \rangle^{(1)} + 0x000010$ |
|                      | Reserved  | $\text{BSLIM}\langle 12:0 \rangle^{(1)} + 0x000012$ |
|                      | Interrupt Vector 0                                  | $\text{BSLIM}\langle 12:0 \rangle^{(1)} + 0x000014$ |
|                      | Interrupt Vector 1                                  | $\text{BSLIM}\langle 12:0 \rangle^{(1)} + 0x000016$ |
|                      | :   | :   |
|                      | :   | :   |
|                      | :   | :   |
|                      | Interrupt Vector 52                                 | $\text{BSLIM}\langle 12:0 \rangle^{(1)} + 0x00007C$ |
|                      | Interrupt Vector 53                                 | $\text{BSLIM}\langle 12:0 \rangle^{(1)} + 0x00007E$ |
|                      | Interrupt Vector 54                                 | $\text{BSLIM}\langle 12:0 \rangle^{(1)} + 0x000080$ |
|                      | :   | :   |
|                      | :   | :   |
|                      | :   | :   |
|                      | Interrupt Vector 116                                | $\text{BSLIM}\langle 12:0 \rangle^{(1)} + 0x0000FC$ |
|                      | Interrupt Vector 117                                | $\text{BSLIM}\langle 12:0 \rangle^{(1)} + 0x00007E$ |
|                      | Interrupt Vector 118                                | $\text{BSLIM}\langle 12:0 \rangle^{(1)} + 0x000100$ |
|                      | Interrupt Vector 119                                | $\text{BSLIM}\langle 12:0 \rangle^{(1)} + 0x000102$ |
|                      | Interrupt Vector 120                                | $\text{BSLIM}\langle 12:0 \rangle^{(1)} + 0x000104$ |
| :                    | :   |   |
| :                    | :   |   |
| :                    | :   |   |
| Interrupt Vector 244 | $\text{BSLIM}\langle 12:0 \rangle^{(1)} + 0x0001FC$ |   |
| Interrupt Vector 245 | $\text{BSLIM}\langle 12:0 \rangle^{(1)} + 0x0001FE$ |   |

See [Table 7-1](#) for Interrupt Vector Details

**Note 1:** The address depends on the size of the Boot Segment defined by  $\text{BSLIM}\langle 12:0 \rangle$ :  
 $[(\text{BSLIM}\langle 12:0 \rangle - 1) \times 0x400] + \text{Offset}$ .



# dsPIC33EVXXGM00X/10X FAMILY

FIGURE 7-2: dsPIC33EVXXGM00X/10X FAMILY INTERRUPT VECTOR TABLE

|  |                             |          |
|--|-----------------------------|----------|
| ↓ Decreasing Natural Order Priority<br>↑<br>IVT<br>↓ | Reset – GOTO Instruction    | 0x000000 |
|  | Reset – GOTO Address        | 0x000002 |
|  | Oscillator Fail Trap Vector | 0x000004 |
|  | Address Error Trap Vector   | 0x000006 |
|  | Generic Hard Trap Vector    | 0x000008 |
|  | Stack Error Trap Vector     | 0x00000A |
|  | Math Error Trap Vector      | 0x00000C |
|  | DMAC Error Trap Vector      | 0x00000E |
|  | Generic Soft Trap Vector    | 0x000010 |
|  | Reserved                    | 0x000012 |
|  | Interrupt Vector 0          | 0x000014 |
|  | Interrupt Vector 1          | 0x000016 |
|  | ⋮                           | ⋮        |
|  | ⋮                           | ⋮        |
|  | ⋮                           | ⋮        |
|  | Interrupt Vector 52         | 0x00007C |
|  | Interrupt Vector 53         | 0x00007E |
|  | Interrupt Vector 54         | 0x000080 |
|  | ⋮                           | ⋮        |
|  | ⋮                           | ⋮        |
|  | ⋮                           | ⋮        |
|  | Interrupt Vector 116        | 0x0000FC |
|  | Interrupt Vector 117        | 0x0000FE |
|  | Interrupt Vector 118        | 0x000100 |
|  | Interrupt Vector 119        | 0x000102 |
|  | Interrupt Vector 120        | 0x000104 |
|  | ⋮                           | ⋮        |
| ⋮  | ⋮                           |          |
| ⋮  | ⋮                           |          |
| Interrupt Vector 244                                 | 0x0001FC                    |          |
| Interrupt Vector 245                                 | 0x0001FE                    |          |
| START OF CODE  | 0x000200                    |          |

See [Table 7-1](#) for Interrupt Vector Details

# dsPIC33EVXXGM00X/10X FAMILY

**TABLE 7-1: INTERRUPT VECTOR DETAILS**

| Interrupt Source                         | Vector No. | IRQ No. | IVT Address       | Interrupt Bit Location |          |             |
|--|------------|---------|-------------------|------------------------|----------|-------------|
|  |            |         |                   | Flag                   | Enable   | Priority    |
| Highest Natural Order Priority           |            |         |                   |                        |          |             |
| External Interrupt 0 (INT0)              | 8          | 0       | 0x000014          | IFS0<0>                | IEC0<0>  | IPC0<2:0>   |
| Input Capture 1 (IC1)                    | 9          | 1       | 0x000016          | IFS0<1>                | IEC0<1>  | IPC0<6:4>   |
| Output Compare 1 (OC1)                   | 10         | 2       | 0x000018          | IFS0<2>                | IEC0<2>  | IPC0<10:8>  |
| Timer1 (T1)                              | 11         | 3       | 0x00001A          | IFS0<3>                | IEC0<3>  | IPC0<14:12> |
| DMA Channel 0 (DMA0)                     | 12         | 4       | 0x00001C          | IFS0<4>                | IEC0<4>  | IPC1<2:0>   |
| Input Capture 2 (IC2)                    | 13         | 5       | 0x00001E          | IFS0<5>                | IEC0<5>  | IPC1<6:4>   |
| Output Compare 2 (OC2)                   | 14         | 6       | 0x000020          | IFS0<6>                | IEC0<6>  | IPC1<10:8>  |
| Timer2 (T2)                              | 15         | 7       | 0x000022          | IFS0<7>                | IEC0<7>  | IPC1<14:12> |
| Timer3 (T3)                              | 16         | 8       | 0x000024          | IFS0<8>                | IEC0<8>  | IPC2<2:0>   |
| SPI1 Error (SPI1E)                       | 17         | 9       | 0x000026          | IFS0<9>                | IEC0<9>  | IPC2<6:4>   |
| SPI1 Transfer Done (SPI1)                | 18         | 10      | 0x000028          | IFS0<10>               | IEC0<10> | IPC2<10:8>  |
| UART1 Receiver (U1RX)                    | 19         | 11      | 0x00002A          | IFS0<11>               | IEC0<11> | IPC2<14:12> |
| UART1 Transmitter (U1TX)                 | 20         | 12      | 0x00002C          | IFS0<12>               | IEC0<12> | IPC3<2:0>   |
| ADC1 Convert Done (AD1)                  | 21         | 13      | 0x00002E          | IFS0<13>               | IEC0<13> | IPC3<6:4>   |
| DMA Channel 1 (DMA1)                     | 22         | 14      | 0x000030          | IFS0<14>               | IEC0<14> | IPC3<10:8>  |
| NVM Write Complete (NVM)                 | 23         | 15      | 0x000032          | IFS0<15>               | IEC0<15> | IPC3<14:12> |
| I2C1 Slave Event (SI2C1)                 | 24         | 16      | 0x000034          | IFS1<0>                | IEC1<0>  | IPC4<2:0>   |
| I2C1 Master Event (MI2C1)                | 25         | 17      | 0x000036          | IFS1<1>                | IEC1<1>  | IPC4<6:4>   |
| Comparator Combined Event (CMP1)         | 26         | 18      | 0x000038          | IFS1<2>                | IEC1<2>  | IPC4<10:8>  |
| Input Change Interrupt (CN)              | 27         | 19      | 0x00003A          | IFS1<3>                | IEC1<3>  | IPC4<14:12> |
| External Interrupt 1 (INT1)              | 28         | 20      | 0x00003C          | IFS1<4>                | IEC1<4>  | IPC5<2:0>   |
| DMA Channel 2 (DMA2)                     | 32         | 24      | 0x000044          | IFS1<8>                | IEC1<8>  | IPC6<2:0>   |
| Output Compare 3 (OC3)                   | 33         | 25      | 0x000046          | IFS1<9>                | IEC1<9>  | IPC6<6:4>   |
| Output Compare 4 (OC4)                   | 34         | 26      | 0x000048          | IFS1<10>               | IEC1<10> | IPC6<10:8>  |
| Timer4 (T4)                              | 35         | 27      | 0x00004A          | IFS1<11>               | IEC1<11> | IPC6<14:12> |
| Timer5 (T5)                              | 36         | 28      | 0x00004C          | IFS1<12>               | IEC1<12> | IPC7<2:0>   |
| External Interrupt 2 (INT2)              | 37         | 29      | 0x00004E          | IFS1<13>               | IEC1<13> | IPC7<6:4>   |
| UART2 Receiver (U2RX)                    | 38         | 30      | 0x000050          | IFS1<14>               | IEC1<14> | IPC7<10:8>  |
| UART2 Transmitter (U2TX)                 | 39         | 31      | 0x000052          | IFS1<15>               | IEC1<15> | IPC7<14:12> |
| SPI2 Error (SPI2E)                       | 40         | 32      | 0x000054          | IFS2<0>                | IEC2<0>  | IPC8<2:0>   |
| SPI2 Transfer Done (SPI2)                | 41         | 33      | 0x000056          | IFS2<1>                | IEC2<1>  | IPC8<6:4>   |
| CAN1 RX Data Ready (C1RX) <sup>(1)</sup> | 42         | 34      | 0x000058          | IFS2<2>                | IEC2<2>  | IPC8<10:8>  |
| CAN1 Event (C1) <sup>(1)</sup>           | 43         | 35      | 0x00005A          | IFS2<3>                | IEC2<3>  | IPC8<14:12> |
| DMA Channel 3 (DMA3)                     | 44         | 36      | 0x00005C          | IFS2<4>                | IEC2<4>  | IPC9<2:0>   |
| Input Capture 3 (IC3)                    | 45         | 37      | 0x00005E          | IFS2<5>                | IEC2<5>  | IPC9<6:4>   |
| Input Capture 4 (IC4)                    | 46         | 38      | 0x000060          | IFS2<6>                | IEC2<6>  | IPC9<10:8>  |
| Reserved                                 | 54         | 46      | 0x000070          | —                      | —        | —           |
| PWM Special Event Match Interrupt (PSEM) | 65         | 57      | 0x000086          | IFS3<9>                | IEC3<9>  | IPC14<6:4>  |
| Reserved                                 | 69         | 61      | 0x00008E          | —                      | —        | —           |
| Reserved                                 | 71-72      | 63-64   | 0x000092-0x000094 | —                      | —        | —           |

**Note 1:** This interrupt source is available on dsPIC33EVXXGM10X devices only.

# dsPIC33EVXXGM00X/10X FAMILY

**TABLE 7-1: INTERRUPT VECTOR DETAILS (CONTINUED)**

| Interrupt Source                           | Vector No. | IRQ No. | IVT Address       | Interrupt Bit Location |           |              |
|--|------------|---------|-------------------|------------------------|-----------|--------------|
|  |            |         |                   | Flag                   | Enable    | Priority     |
| UART1 Error Interrupt (U1E)                | 73         | 65      | 0x000096          | IFS4<1>                | IEC4<1>   | IPC16<6:4>   |
| UART2 Error Interrupt (U2E)                | 74         | 66      | 0x000098          | IFS4<2>                | IEC4<2>   | IPC16<10:8>  |
| Reserved                                   | 76-77      | 68-69   | 0x00009C-0x00009E | —                      | —         | —            |
| CAN1 TX Data Request (C1TX) <sup>(1)</sup> | 78         | 70      | 0x0000A0          | IFS4<6>                | IEC4<6>   | IPC17<10:8>  |
| Reserved                                   | 80         | 72      | 0x0000A4          | —                      | —         | —            |
| Reserved                                   | 82         | 74      | 0x0000A8          | —                      | —         | —            |
| Reserved                                   | 84         | 76      | 0x0000AC          | —                      | —         | —            |
| CTMU Interrupt (CTMU)                      | 85         | 77      | 0x0000AE          | IFS4<13>               | IEC4<13>  | IPC19<6:4>   |
| Reserved                                   | 86-88      | 78-80   | 0x0000B0-0x0000B4 | —                      | —         | —            |
| Reserved                                   | 92-94      | 84-86   | 0x0000BC-0x0000C0 | —                      | —         | —            |
| Reserved                                   | 100-101    | 92-93   | 0x0000CC-0x0000CE | —                      | —         | —            |
| PWM Generator 1 (PWM1)                     | 102        | 94      | 0x0000D0          | IFS5<14>               | IEC5<14>  | IPC23<10:8>  |
| PWM Generator 2 (PWM2)                     | 103        | 95      | 0x0000D2          | IFS5<15>               | IEC5<15>  | IPC23<14:12> |
| PWM Generator 3 (PWM3)                     | 104        | 96      | 0x0000D4          | IFS6<0>                | IEC6<0>   | IPC24<2:0>   |
| Reserved                                   | 108-149    | 100-141 | 0x0000DC-0x00012E | —                      | —         | —            |
| ICD Application (ICD)                      | 150        | 142     | 0x000142          | IFS8<14>               | IEC8<14>  | IPC35<10:8>  |
| Reserved                                   | 152        | 144     | 0x000134          | —                      | —         | —            |
| Bus Collision (I2C1)                       | —          | 173     | 0x00016E          | IFS10<13>              | IEC10<13> | IPC43<4:6>   |
| SENT1 Error (SENT1ERR)                     | —          | 182     | 0x000180          | IFS11<6>               | IEC11<6>  | IPC45<10:8>  |
| SENT1 TX/RX (SENT1)                        | —          | 183     | 0x000182          | IFS11<7>               | IEC11<7>  | IPC45<14:12> |
| SENT2 Error (SENT2ERR)                     | —          | 184     | 0x000184          | IFS11<8>               | IEC11<8>  | IPC46<2:0>   |
| SENT2 TX/RX (SENT2)                        | —          | 185     | 0x000186          | IFS11<9>               | IEC11<9>  | IPC46<6:4>   |
| ECC Single-Bit Error (ECCSBE)              | —          | 186     | 0x000188          | IFS11<10>              | IEC11<10> | IPC45<10:8>  |
| Reserved                                   | 159-245    | 187-245 | 0x000142-0x0001FE | —                      | —         | —            |
| Lowest Natural Order Priority              |            |         |                   |                        |           |              |

**Note 1:** This interrupt source is available on dsPIC33EVXXGM10X devices only.

# dsPIC33EVXXGM00X/10X FAMILY

## 7.3 Reset Sequence

A device Reset is not a true exception because the interrupt controller is not involved in the Reset process. The dsPIC33EVXXGM00X/10X family devices clear their registers in response to a Reset, which forces the PC to zero. The device then begins program execution at location, 0x000000. A GOTO instruction at the Reset address can redirect program execution to the appropriate start-up routine.

**Note:** Any unimplemented or unused vector locations in the IVT should be programmed with the address of a default interrupt handler routine that contains a RESET instruction.

## 7.4 Interrupt Control and Status Registers

dsPIC33EVXXGM00X/10X family devices implement the following registers for the interrupt controller:

- INTCON1
- INTCON2
- INTCON3
- INTCON4
- IFSx
- IECx
- IPCx
- INTTREG

### 7.4.1 INTCON1 THROUGH INTCON4

Global interrupt control functions are controlled from the INTCON1, INTCON2, INTCON3 and INTCON4 registers.

INTCON1 contains the Interrupt Nesting Disable bit (NSTDIS), as well as the control and status flags for the processor trap sources.

The INTCON2 register controls external interrupt request signal behavior and also contains the Global Interrupt Enable bit (GIE).

INTCON3 contains the status flags for the DMT (Dead-man Timer), DMA and DO stack overflow status trap sources.

The INTCON4 register contains the ECC Double-Bit Error (ECCDBE) and Software-Generated Hard Trap (SGHT) status bit.

### 7.4.2 IFSx

The IFSx registers maintain all of the interrupt request flags. Each source of interrupt has a status bit, which is set by the respective peripherals or external signal and is cleared through software.

### 7.4.3 IECx

The IECx registers maintain all of the interrupt enable bits. These control bits are used to individually enable interrupts from the peripherals or external signals.

### 7.4.4 IPCx

The IPCx registers are used to set the Interrupt Priority Level (IPL) for each source of interrupt. Each user interrupt source can be assigned to one of eight priority levels.

### 7.4.5 INTTREG

The INTTREG register contains the associated interrupt vector number and the new CPU Interrupt Priority Level, which are latched into Vector Number (VECNUM<7:0>) and Interrupt Priority Level bit (ILR<3:0>) fields in the INTTREG register. The new Interrupt Priority Level is the priority of the pending interrupt.

The interrupt sources are assigned to the IFSx, IECx and IPCx registers in the same sequence as they are listed in [Table 7-1](#). For example, the INT0 (External Interrupt 0) is shown as having Vector Number 8 and a natural order priority of 0. Thus, the INT0IF bit is found in IFS0<0>, the INT0IE bit in IEC0<0> and the INT0IP bits in the first position of IPC0 (IPC0<2:0>).

### 7.4.6 STATUS/CONTROL REGISTERS

Although these registers are not specifically part of the interrupt control hardware, two of the CPU Control registers contain bits that control interrupt functionality. For more information on these registers, refer to “CPU” (DS70359) in the “dsPIC33/PIC24 Family Reference Manual”.

- The CPU STATUS Register, SR, contains the IPL<2:0> bits (SR<7:5>). These bits indicate the current CPU Interrupt Priority Level. The user software can change the current CPU Interrupt Priority Level by writing to the IPLx bits.
- The CORCON register contains the IPL3 bit which, together with IPL<2:0>, also indicates the current CPU Interrupt Priority Level. IPL3 is a read-only bit so that trap events cannot be masked by the user software.

All Interrupt registers are described in [Register 7-3](#) to [Register 7-7](#).

# dsPIC33EVXXGM00X/10X FAMILY

## REGISTER 7-1: SR: CPU STATUS REGISTER<sup>(1)</sup>

|        |       |       |       |       |       |       |       |
|--------|-------|-------|-------|-------|-------|-------|-------|
| R/W-0  | R/W-0 | R/W-0 | R/W-0 | R/C-0 | R/C-0 | R-0   | R/W-0 |
| OA     | OB    | SA    | SB    | OAB   | SAB   | DA    | DC    |
| bit 15 |       |       |       |       |       | bit 8 |       |

|                       |                       |                       |     |       |       |       |       |
|-----------------------|-----------------------|-----------------------|-----|-------|-------|-------|-------|
| R/W-0                 | R/W-0                 | R/W-0                 | R-0 | R/W-0 | R/W-0 | R/W-0 | R/W-0 |
| IPL2 <sup>(2,3)</sup> | IPL1 <sup>(2,3)</sup> | IPL0 <sup>(2,3)</sup> | RA  | N     | OV    | Z     | C     |
| bit 7                 |                       |                       |     |       |       | bit 0 |       |

|                   |                                    |
|-------------------|------------------------------------|
| <b>Legend:</b>    | C = Clearable bit                  |
| R = Readable bit  | W = Writable bit                   |
| -n = Value at POR | '1' = Bit is set                   |
|                   | U = Unimplemented bit, read as '0' |
|                   | '0' = Bit is cleared               |
|                   | x = Bit is unknown                 |

- bit 7-5      **IPL<2:0>**: CPU Interrupt Priority Level Status bits<sup>(2,3)</sup>
- 111 = CPU Interrupt Priority Level is 7 (15); user interrupts are disabled
  - 110 = CPU Interrupt Priority Level is 6 (14)
  - 101 = CPU Interrupt Priority Level is 5 (13)
  - 100 = CPU Interrupt Priority Level is 4 (12)
  - 011 = CPU Interrupt Priority Level is 3 (11)
  - 010 = CPU Interrupt Priority Level is 2 (10)
  - 001 = CPU Interrupt Priority Level is 1 (9)
  - 000 = CPU Interrupt Priority Level is 0 (8)

- Note 1:** For complete register details, see [Register 3-1](#).
- 2:** The IPL<2:0> bits are concatenated with the IPL3 bit (CORCON<3>) to form the CPU Interrupt Priority Level. The value in parentheses indicates the IPL if IPL3 = 1. User interrupts are disabled when IPL3 = 1.
- 3:** The IPL<2:0> Status bits are read-only when the NSTDIS bit (INTCON1<15>) = 1.

# dsPIC33EVXXGM00X/10X FAMILY

## REGISTER 7-2: CORCON: CORE CONTROL REGISTER<sup>(1)</sup>

|        |     |       |       |       |     |     |       |
|--------|-----|-------|-------|-------|-----|-----|-------|
| R/W-0  | U-0 | R/W-0 | R/W-0 | R/W-0 | R-0 | R-0 | R-0   |
| VAR    | —   | US1   | US0   | EDT   | DL2 | DL1 | DL0   |
| bit 15 |     |       |       |       |     |     | bit 8 |

|       |       |       |        |                     |     |       |       |
|-------|-------|-------|--------|---------------------|-----|-------|-------|
| R/W-0 | R/W-0 | R/W-1 | R/W-0  | R/C-0               | R-0 | R/W-0 | R/W-0 |
| SATA  | SATB  | SATDW | ACCSAT | IPL3 <sup>(2)</sup> | SFA | RND   | IF    |
| bit 7 |       |       |        |                     |     |       | bit 0 |

|                   |                                    |
|-------------------|------------------------------------|
| <b>Legend:</b>    | C = Clearable bit                  |
| R = Readable bit  | W = Writable bit                   |
| -n = Value at POR | '1' = Bit is set                   |
|                   | U = Unimplemented bit, read as '0' |
|                   | '0' = Bit is cleared               |
|                   | x = Bit is unknown                 |

bit 15      **VAR:** Variable Exception Processing Latency Control bit  
             1 = Variable exception processing latency is enabled  
             0 = Fixed exception processing latency is enabled

bit 3      **IPL3:** CPU Interrupt Priority Level Status bit 3<sup>(2)</sup>  
             1 = CPU Interrupt Priority Level is greater than 7  
             0 = CPU Interrupt Priority Level is 7 or less

**Note 1:** For complete register details, see [Register 3-2](#).

**2:** The IPL3 bit is concatenated with the IPL<2:0> bits (SR<7:5>) to form the CPU Interrupt Priority Level.

# dsPIC33EVXXGM00X/10X FAMILY

## REGISTER 7-3: INTCON1: INTERRUPT CONTROL REGISTER 1

|        |        |        |         |         |       |       |       |
|--------|--------|--------|---------|---------|-------|-------|-------|
| R/W-0  | R/W-0  | R/W-0  | R/W-0   | R/W-0   | R/W-0 | R/W-0 | R/W-0 |
| NSTDIS | OVAERR | OVBERR | COVAERR | COVBERR | OVATE | OVBTE | COVTE |
| bit 15 |        |        |         |         |       |       | bit 8 |

|          |         |         |         |         |        |         |       |
|----------|---------|---------|---------|---------|--------|---------|-------|
| R/W-0    | R-0, HC | R/W-0   | R/W-0   | R/W-0   | R/W-0  | R/W-0   | U-0   |
| SFTACERR | DIV0ERR | DMACERR | MATHERR | ADDRERR | STKERR | OSCFAIL | —     |
| bit 7    |         |         |         |         |        |         | bit 0 |

|                   |                                    |
|-------------------|------------------------------------|
| <b>Legend:</b>    | HC = Hardware Clearable bit        |
| R = Readable bit  | W = Writable bit                   |
| -n = Value at POR | '1' = Bit is set                   |
|                   | U = Unimplemented bit, read as '0' |
|                   | '0' = Bit is cleared               |
|                   | x = Bit is unknown                 |

- bit 15      **NSTDIS:** Interrupt Nesting Disable bit  
1 = Interrupt nesting is disabled  
0 = Interrupt nesting is enabled
- bit 14      **OVAERR:** Accumulator A Overflow Trap Flag bit  
1 = Trap was caused by overflow of Accumulator A  
0 = Trap was not caused by overflow of Accumulator A
- bit 13      **OVBERR:** Accumulator B Overflow Trap Flag bit  
1 = Trap was caused by overflow of Accumulator B  
0 = Trap was not caused by overflow of Accumulator B
- bit 12      **COVAERR:** Accumulator A Catastrophic Overflow Trap Flag bit  
1 = Trap was caused by catastrophic overflow of Accumulator A  
0 = Trap was not caused by catastrophic overflow of Accumulator A
- bit 11      **COVBERR:** Accumulator B Catastrophic Overflow Trap Flag bit  
1 = Trap was caused by catastrophic overflow of Accumulator B  
0 = Trap was not caused by catastrophic overflow of Accumulator B
- bit 10      **OVATE:** Accumulator A Overflow Trap Enable bit  
1 = Trap overflow of Accumulator A  
0 = Trap is disabled
- bit 9        **OVBTE:** Accumulator B Overflow Trap Enable bit  
1 = Trap overflow of Accumulator B  
0 = Trap is disabled
- bit 8        **COVTE:** Catastrophic Overflow Trap Enable bit  
1 = Trap on catastrophic overflow of Accumulator A or B is enabled  
0 = Trap is disabled
- bit 7        **SFTACERR:** Shift Accumulator Error Status bit  
1 = Math error trap was caused by an invalid accumulator shift  
0 = Math error trap was caused by an invalid accumulator shift
- bit 6        **DIV0ERR:** Divide-by-Zero Error Status bit  
1 = Math error trap was caused by a divide-by-zero  
0 = Math error trap was not caused by a divide-by-zero
- bit 5        **DMACERR:** DMAC Trap Flag bit  
1 = DMAC trap has occurred  
0 = DMAC trap has not occurred
- bit 4        **MATHERR:** Math Error Status bit  
1 = Math error trap has occurred  
0 = Math error trap has not occurred

# dsPIC33EVXXGM00X/10X FAMILY

---

---

## REGISTER 7-3: INTCON1: INTERRUPT CONTROL REGISTER 1 (CONTINUED)

- bit 3      **ADDRERR:** Address Error Trap Status bit  
          1 = Address error trap has occurred  
          0 = Address error trap has not occurred
- bit 2      **STKERR:** Stack Error Trap Status bit  
          1 = Stack error trap has occurred  
          0 = Stack error trap has not occurred
- bit 1      **OSCFAIL:** Oscillator Failure Trap Status bit  
          1 = Oscillator failure trap has occurred  
          0 = Oscillator failure trap has not occurred
- bit 0      **Unimplemented:** Read as '0'



# dsPIC33EVXXGM00X/10X FAMILY

## REGISTER 7-4: INTCON2: INTERRUPT CONTROL REGISTER 2

|        |       |        |     |     |     |     |        |
|--------|-------|--------|-----|-----|-----|-----|--------|
| R/W-1  | R/W-0 | R/W-0  | U-0 | U-0 | U-0 | U-0 | R/W-0  |
| GIE    | DISI  | SWTRAP | —   | —   | —   | —   | AIVTEN |
| bit 15 |       |        |     |     |     |     | bit 8  |

|       |     |     |     |     |        |        |        |
|-------|-----|-----|-----|-----|--------|--------|--------|
| U-0   | U-0 | U-0 | U-0 | U-0 | R/W-0  | R/W-0  | R/W-0  |
| —     | —   | —   | —   | —   | INT2EP | INT1EP | INT0EP |
| bit 7 |     |     |     |     |        |        | bit 0  |

|                   |                  |                                    |                    |
|-------------------|------------------|------------------------------------|--------------------|
| <b>Legend:</b>    |                  |                                    |                    |
| R = Readable bit  | W = Writable bit | U = Unimplemented bit, read as '0' |                    |
| -n = Value at POR | '1' = Bit is set | '0' = Bit is cleared               | x = Bit is unknown |

- bit 15      **GIE:** Global Interrupt Enable bit  
1 = Interrupts and associated IECx bits are enabled  
0 = Interrupts are disabled, but traps are still enabled
- bit 14      **DISI:** DISI Instruction Status bit  
1 = DISI instruction is active  
0 = DISI instruction is not active
- bit 13      **SWTRAP:** Software Trap Status bit  
1 = Software trap is enabled  
0 = Software trap is disabled
- bit 12-9    **Unimplemented:** Read as '0'
- bit 8        **AIVTEN:** Alternate Interrupt Vector Table is Enabled bit  
1 = AIVT is enabled  
0 = AIVT is disabled
- bit 7-3     **Unimplemented:** Read as '0'
- bit 2        **INT2EP:** External Interrupt 2 Edge Detect Polarity Select bit  
1 = Interrupt on negative edge  
0 = Interrupt on positive edge
- bit 1        **INT1EP:** External Interrupt 1 Edge Detect Polarity Select bit  
1 = Interrupt on negative edge  
0 = Interrupt on positive edge
- bit 0        **INT0EP:** External Interrupt 0 Edge Detect Polarity Select bit  
1 = Interrupt on negative edge  
0 = Interrupt on positive edge

# dsPIC33EVXXGM00X/10X FAMILY

## REGISTER 7-5: INTCON3: INTERRUPT CONTROL REGISTER 3

|        |     |     |     |     |     |     |       |
|--------|-----|-----|-----|-----|-----|-----|-------|
| R/W-0  | U-0 | U-0 | U-0 | U-0 | U-0 | U-0 | U-0   |
| DMT    | —   | —   | —   | —   | —   | —   | —     |
| bit 15 |     |     |     |     |     |     | bit 8 |

|       |     |       |       |     |     |     |       |
|-------|-----|-------|-------|-----|-----|-----|-------|
| U-0   | U-0 | R/W-0 | R/W-0 | U-0 | U-0 | U-0 | U-0   |
| —     | —   | DAE   | DOOVR | —   | —   | —   | —     |
| bit 7 |     |       |       |     |     |     | bit 0 |

### Legend:

R = Readable bit                      W = Writable bit                      U = Unimplemented bit, read as '0'  
 -n = Value at POR                      '1' = Bit is set                      '0' = Bit is cleared                      x = Bit is unknown

- bit 15            **DMT:** Deadman Timer (Soft) Trap Status bit  
                   1 = Deadman Timer trap has occurred  
                   0 = Deadman Timer trap has not occurred
- bit 14-6        **Unimplemented:** Read as '0'
- bit 5            **DAE:** DMA Address Error Soft Trap Status bit  
                   1 = DMA address error soft trap has occurred  
                   0 = DMA address error soft trap has not occurred
- bit 4            **DOOVR:** DO Stack Overflow Soft Trap Status bit  
                   1 = DO stack overflow soft trap has occurred  
                   0 = DO stack overflow soft trap has not occurred
- bit 3-0         **Unimplemented:** Read as '0'

# dsPIC33EVXXGM00X/10X FAMILY

## REGISTER 7-6: INTCON4: INTERRUPT CONTROL REGISTER 4

|        |     |     |     |     |     |     |       |
|--------|-----|-----|-----|-----|-----|-----|-------|
| U-0    | U-0 | U-0 | U-0 | U-0 | U-0 | U-0 | U-0   |
| —      | —   | —   | —   | —   | —   | —   | —     |
| bit 15 |     |     |     |     |     |     | bit 8 |

|       |     |     |     |     |     |                       |             |
|-------|-----|-----|-----|-----|-----|-----------------------|-------------|
| U-0   | U-0 | U-0 | U-0 | U-0 | U-0 | R-0, HS, SC           | R-0, HS, SC |
| —     | —   | —   | —   | —   | —   | ECCDBE <sup>(1)</sup> | SGHT        |
| bit 7 |     |     |     |     |     | bit 0                 |             |

|                   |                            |  |
|-------------------|----------------------------|--|
| <b>Legend:</b>    | HS = Hardware Settable bit | SC = Software Clearable bit                  |
| R = Readable bit  | W = Writable bit           | U = Unimplemented bit, read as '0'           |
| -n = Value at POR | '1' = Bit is set           | '0' = Bit is cleared      x = Bit is unknown |

- bit 15-2      **Unimplemented:** Read as '0'
- bit 1      **ECCDBE:** ECC Double-Bit Error Trap bit<sup>(1)</sup>
  - 1 = ECC double-bit error trap has occurred
  - 0 = ECC double-bit error trap has not occurred
- bit 0      **SGHT:** Software-Generated Hard Trap Status bit
  - 1 = Software-generated hard trap has occurred
  - 0 = Software-generated hard trap has not occurred

**Note 1:** ECC double-bit error causes a generic hard trap.

# dsPIC33EVXXGM00X/10X FAMILY

## REGISTER 7-7: INTTREG: INTERRUPT CONTROL AND STATUS REGISTER

|        |     |     |     |     |       |      |      |
|--------|-----|-----|-----|-----|-------|------|------|
| U-0    | U-0 | U-0 | U-0 | U-0 | R-0   | R-0  | R-0  |
| —      | —   | —   | —   | —   | ILR3  | ILR2 | ILR1 |
| bit 15 |     |     |     |     | bit 8 |      |      |

|         |         |         |         |         |         |         |         |
|---------|---------|---------|---------|---------|---------|---------|---------|
| R-0     | R-0     | R-0     | R-0     | R-0     | R-0     | R-0     | R-0     |
| VECNUM7 | VECNUM6 | VECNUM5 | VECNUM4 | VECNUM3 | VECNUM2 | VECNUM1 | VECNUM0 |
| bit 7   |         |         |         |         |         |         | bit 0   |

### Legend:

|                   |                  |  |
|-------------------|------------------|--|
| R = Readable bit  | W = Writable bit | U = Unimplemented bit, read as '0'           |
| -n = Value at POR | '1' = Bit is set | '0' = Bit is cleared      x = Bit is unknown |

- bit 15-11      **Unimplemented:** Read as '0'
- bit 10-8      **ILR<3:0>:** New CPU Interrupt Priority Level bits  
 1111 = CPU Interrupt Priority Level is 15  
 •  
 •  
 •  
 0001 = CPU Interrupt Priority Level is 1  
 0000 = CPU Interrupt Priority Level is 0
- bit 7-0      **VECNUM<7:0>:** Vector Number of Pending Interrupt bits  
 11111111 = 255, Reserved; do not use  
 •  
 •  
 •  
 00001001 = 9, Input Capture 1 (IC1)  
 00001000 = 8, External Interrupt 0 (INT0)  
 00000111 = 7, Reserved; do not use  
 00000110 = 6, Generic soft error trap  
 00000101 = 5, DMAC error trap  
 00000100 = 4, Math error trap  
 00000011 = 3, Stack error trap  
 00000010 = 2, Generic hard trap  
 00000001 = 1, Address error trap  
 00000000 = 0, Oscillator fail trap

## 8.0 DIRECT MEMORY ACCESS (DMA)

**Note 1:** This data sheet summarizes the features of the dsPIC33EVXXGM00X/10X family of devices. It is not intended to be a comprehensive reference source. To complement the information in this data sheet, refer to “**Direct Memory Access (DMA)**” (DS70348) in the “*dsPIC33/PIC24 Family Reference Manual*”, which is available from the Microchip web site ([www.microchip.com](http://www.microchip.com)).

**2:** Some registers and associated bits described in this section may not be available on all devices. Refer to [Section 4.0 “Memory Organization”](#) in this data sheet for device-specific register and bit information.

The DMA Controller transfers data between Peripheral Data registers and Data Space SRAM. For the simplified DMA block diagram, refer to [Figure 8-1](#).

In addition, DMA can access the entire data memory space. The data memory bus arbiter is utilized when either the CPU or DMA attempts to access SRAM, resulting in potential DMA or CPU stalls.

The DMA Controller supports 4 independent channels. Each channel can be configured for transfers to or from selected peripherals. The peripherals supported by the DMA Controller include:

- CAN
- Analog-to-Digital Converter (ADC)
- Serial Peripheral Interface (SPI)
- UART
- Input Capture
- Output Compare

Refer to [Table 8-1](#) for a complete list of supported peripherals.

**FIGURE 8-1: PERIPHERAL TO DMA CONTROLLER**



# dsPIC33EVXXGM00X/10X FAMILY

In addition, DMA transfers can be triggered by timers as well as external interrupts. Each DMA channel is unidirectional. Two DMA channels must be allocated to read and write to a peripheral. If more than one channel receives a request to transfer data, a simple fixed priority scheme, based on channel number, dictates which channel completes the transfer and which channel or channels are left pending. Each DMA channel moves a block of data, after which, it generates an interrupt to the CPU to indicate that the block is available for processing.

The DMA Controller provides these functional capabilities:

- Four DMA Channels
- Register Indirect with Post-Increment Addressing mode
- Register Indirect without Post-Increment Addressing mode

- Peripheral Indirect Addressing mode (peripheral generates destination address)
- CPU Interrupt after Half or Full Block Transfer Complete
- Byte or Word Transfers
- Fixed Priority Channel Arbitration
- Manual (software) or Automatic (peripheral DMA requests) Transfer Initiation
- One-Shot or Auto-Repeat Block Transfer modes
- Ping-Pong mode (automatic switch between two SRAM start addresses after each block transfer complete)
- DMA Request for Each Channel can be Selected from any Supported Interrupt Source
- Debug Support Features

The peripherals that can utilize DMA are listed in [Table 8-1](#).

**TABLE 8-1: DMA CHANNEL TO PERIPHERAL ASSOCIATIONS**

| Peripheral to DMA Association | DMAxREQ Register IRQSEL<7:0> Bits | DMAxPAD Register (Values to Read from Peripheral) | DMAxPAD Register (Values to Write to Peripheral) |
|-------------------------------|-----------------------------------|---|--|
| External Interrupt 0 (INT0)   | 00000000                          | —   | —  |
| Input Capture 1 (IC1)         | 00000001                          | 0x0144 (IC1BUF)                                   | —  |
| Input Capture 2 (IC2)         | 00000101                          | 0x014C (IC2BUF)                                   | —  |
| Input Capture 3 (IC3)         | 00100101                          | 0x0154 (IC3BUF)                                   | —  |
| Input Capture 4 (IC4)         | 00100110                          | 0x015C (IC4BUF)                                   | —  |
| Output Compare 1 (OC1)        | 00000010                          | —   | 0x0906 (OC1R)<br>0x0904 (OC1RS)                  |
| Output Compare 2 (OC2)        | 00000110                          | —   | 0x0910 (OC2R)<br>0x090E (OC2RS)                  |
| Output Compare 3 (OC3)        | 00011001                          | —   | 0x091A (OC3R)<br>0x0918 (OC3RS)                  |
| Output Compare 4 (OC4)        | 00011010                          | —   | 0x0924 (OC4R)<br>0x0922 (OC4RS)                  |
| Timer2 (TMR2)                 | 00000111                          | —   | —  |
| Timer3 (TMR3)                 | 00001000                          | —   | —  |
| Timer4 (TMR4)                 | 00011011                          | —   | —  |
| Timer5 (TMR5)                 | 00011100                          | —   | —  |
| SPI1 Transfer Done            | 00001010                          | 0x0248 (SPI1BUF)                                  | 0x0248 (SPI1BUF)                                 |
| SPI2 Transfer Done            | 00100001                          | 0x0268 (SPI2BUF)                                  | 0x0268 (SPI2BUF)                                 |
| UART1 Receiver (UART1RX)      | 00001011                          | 0x0226 (U1RXREG)                                  | —  |
| UART1 Transmitter (UART1TX)   | 00001100                          | —   | 0x0224 (U1TXREG)                                 |
| UART2 Receiver (UART2RX)      | 00011110                          | 0x0236 (U2RXREG)                                  | —  |
| UART2 Transmitter (UART2TX)   | 00011111                          | —   | 0x0234 (U2TXREG)                                 |
| RX Data Ready (CAN1)          | 00100010                          | 0x0440 (C1RXD)                                    | —  |
| TX Data Request (CAN1)        | 01000110                          | —   | 0x0442 (C1TXD)                                   |
| ADC1 Convert Done (ADC1)      | 00001101                          | 0x0300 (ADC1BUF0)                                 | —  |

Figure 8-2 illustrates the DMA Controller block diagram.

**FIGURE 8-2: DMA CONTROLLER BLOCK DIAGRAM**



## 8.1 DMAC Controller Registers

Each DMAC Channel  $x$  (where  $x = 0$  to  $3$ ) contains the following registers:

- 16-Bit DMA Channel  $x$  Control Register (DMA $x$ CON)
- 16-Bit DMA Channel  $x$  IRQ Select Register (DMA $x$ REQ)
- 32-Bit DMA Channel  $x$  Start Address Register A High/Low (DMA $x$ STAH/L)
- 32-Bit DMA Channel  $x$  Start Address Register B High/Low (DMA $x$ STBH/L)
- 16-Bit DMA Channel  $x$  Peripheral Address Register (DMA $x$ PAD)
- 14-Bit DMA Channel  $x$  Transfer Count Register (DMA $x$ CNT)

Additional status registers (DMAPWC, DMARQC, DMAPPS, DMALCA and DSADRH/L) are common to all DMAC channels. These status registers provide information on write and request collisions, as well as on last address and channel access information.

The DMA Interrupt Flags (DMA $x$ IF) are located in an IFS $x$  register in the interrupt controller. The corresponding DMA Interrupt Enable bits (DMA $x$ IE) are located in an IEC $x$  register in the interrupt controller and the corresponding DMA Interrupt Priority bits (DMA $x$ IP) are located in an IPC $x$  register in the interrupt controller.

# dsPIC33EVXXGM00X/10X FAMILY

## REGISTER 8-1: DMAxCON: DMA CHANNEL x CONTROL REGISTER

|        |       |       |       |       |     |       |     |
|--------|-------|-------|-------|-------|-----|-------|-----|
| R/W-0  | R/W-0 | R/W-0 | R/W-0 | R/W-0 | U-0 | U-0   | U-0 |
| CHEN   | SIZE  | DIR   | HALF  | NULLW | —   | —     | —   |
| bit 15 |       |       |       |       |     | bit 8 |     |

|       |     |        |        |     |     |       |       |
|-------|-----|--------|--------|-----|-----|-------|-------|
| U-0   | U-0 | R/W-0  | R/W-0  | U-0 | U-0 | R/W-0 | R/W-0 |
| —     | —   | AMODE1 | AMODE0 | —   | —   | MODE1 | MODE0 |
| bit 7 |     |        |        |     |     | bit 0 |       |

### Legend:

R = Readable bit                      W = Writable bit                      U = Unimplemented bit, read as '0'  
 -n = Value at POR                      '1' = Bit is set                      '0' = Bit is cleared                      x = Bit is unknown

- bit 15            **CHEN:** DMA Channel Enable bit  
                   1 = Channel is enabled  
                   0 = Channel is disabled
- bit 14            **SIZE:** DMA Data Transfer Size bit  
                   1 = Byte  
                   0 = Word
- bit 13            **DIR:** DMA Transfer Direction bit (source/destination bus select)  
                   1 = Reads from RAM address, writes to peripheral address  
                   0 = Reads from peripheral address, writes to RAM address
- bit 12            **HALF:** DMA Block Transfer Interrupt Select bit  
                   1 = Initiates interrupt when half of the data has been moved  
                   0 = Initiates interrupt when all of the data has been moved
- bit 11            **NULLW:** Null Data Peripheral Write Mode Select bit  
                   1 = Null data write to peripheral in addition to RAM write (DIR bit must also be clear)  
                   0 = Normal operation
- bit 10-6         **Unimplemented:** Read as '0'
- bit 5-4           **AMODE<1:0>:** DMA Channel Addressing Mode Select bits  
                   11 = Reserved  
                   10 = Peripheral Indirect mode  
                   01 = Register Indirect without Post-Increment mode  
                   00 = Register Indirect with Post-Increment mode
- bit 3-2           **Unimplemented:** Read as '0'
- bit 1-0           **MODE<1:0>:** DMA Channel Operating Mode Select bits  
                   11 = One-Shot Ping-Pong modes are enabled (one block transfer from/to each DMA buffer)  
                   10 = Continuous Ping-Pong modes are enabled  
                   01 = One-Shot Ping-Pong modes are disabled  
                   00 = Continuous Ping-Pong modes are disabled



# dsPIC33EVXXGM00X/10X FAMILY

## REGISTER 8-2: DMAxREQ: DMA CHANNEL x IRQ SELECT REGISTER

|                      |     |     |     |     |     |     |       |
|----------------------|-----|-----|-----|-----|-----|-----|-------|
| R/S-0                | U-0 | U-0 | U-0 | U-0 | U-0 | U-0 | U-0   |
| FORCE <sup>(1)</sup> | —   | —   | —   | —   | —   | —   | —     |
| bit 15               |     |     |     |     |     |     | bit 8 |

|         |         |         |         |         |         |         |         |
|---------|---------|---------|---------|---------|---------|---------|---------|
| R/W-0   | R/W-0   | R/W-0   | R/W-0   | R/W-0   | R/W-0   | R/W-0   | R/W-0   |
| IRQSEL7 | IRQSEL6 | IRQSEL5 | IRQSEL4 | IRQSEL3 | IRQSEL2 | IRQSEL1 | IRQSEL0 |
| bit 7   |         |         |         |         |         |         | bit 0   |

|                   |                                    |
|-------------------|------------------------------------|
| <b>Legend:</b>    | S = Settable bit                   |
| R = Readable bit  | W = Writable bit                   |
| -n = Value at POR | '1' = Bit is set                   |
|                   | U = Unimplemented bit, read as '0' |
|                   | '0' = Bit is cleared               |
|                   | x = Bit is unknown                 |

- bit 15      **FORCE:** Force DMA Transfer bit<sup>(1)</sup>  
             1 = Forces a single DMA transfer (Manual mode)  
             0 = Automatic DMA transfer initiation by DMA request
- bit 14-8    **Unimplemented:** Read as '0'
- bit 7-0     **IRQSEL<7:0>:** DMA Peripheral IRQ Number Select bits  
             01000110 = TX data request (CAN1)<sup>(2)</sup>  
             00100110 = Input Capture 4 (IC4)  
             00100101 = Input Capture 3 (IC3)  
             00100010 = RX data ready (CAN1)  
             00100001 = SPI2 transfer done (SPI2)  
             00011111 = UART2 Transmitter (UART2TX)  
             00011110 = UART2 Receiver (UART2RX)  
             00011100 = Timer5 (TMR5)  
             00011011 = Timer4 (TMR4)  
             00011010 = Output Compare 4 (OC4)  
             00011001 = Output Compare 3 (OC3)  
             00001101 = ADC1 convert done (ADC1)  
             00001100 = UART1 Transmitter (UART1TX)  
             00001011 = UART1 Receiver (UART1RX)  
             00001010 = SPI1 transfer done (SPI1)  
             00001000 = Timer3 (TMR3)  
             00000111 = Timer2 (TMR2)  
             00000110 = Output Compare 2 (OC2)  
             00000101 = Input Capture 2 (IC2)  
             00000010 = Output Compare 1 (OC1)  
             00000001 = Input Capture 1 (IC1)  
             00000000 = External Interrupt 0 (INT0)

- Note 1:** The FORCE bit cannot be cleared by user software. The FORCE bit is cleared by hardware when the forced DMA transfer is complete or the channel is disabled (CHEN = 0).
- 2:** This select bit is only available on dsPIC33EVXXGM10X devices.

# dsPIC33EVXXGM00X/10X FAMILY

## REGISTER 8-3: DMAxSTAH: DMA CHANNEL x START ADDRESS REGISTER A (HIGH)

|        |     |     |     |     |     |     |       |
|--------|-----|-----|-----|-----|-----|-----|-------|
| U-0    | U-0 | U-0 | U-0 | U-0 | U-0 | U-0 | U-0   |
| —      | —   | —   | —   | —   | —   | —   | —     |
| bit 15 |     |     |     |     |     |     | bit 8 |

|            |       |       |       |       |       |       |       |
|------------|-------|-------|-------|-------|-------|-------|-------|
| R/W-0      | R/W-0 | R/W-0 | R/W-0 | R/W-0 | R/W-0 | R/W-0 | R/W-0 |
| STA<23:16> |       |       |       |       |       |       |       |
| bit 7      |       |       |       |       |       |       | bit 0 |

### Legend:

R = Readable bit                      W = Writable bit                      U = Unimplemented bit, read as '0'  
 -n = Value at POR                      '1' = Bit is set                      '0' = Bit is cleared                      x = Bit is unknown

bit 15-8                      **Unimplemented:** Read as '0'  
 bit 7-0                      **STA<23:16>:** DMA Primary Start Address bits (source or destination)

## REGISTER 8-4: DMAxSTAL: DMA CHANNEL x START ADDRESS REGISTER A (LOW)

|           |       |       |       |       |       |       |       |
|-----------|-------|-------|-------|-------|-------|-------|-------|
| R/W-0     | R/W-0 | R/W-0 | R/W-0 | R/W-0 | R/W-0 | R/W-0 | R/W-0 |
| STA<15:8> |       |       |       |       |       |       |       |
| bit 15    |       |       |       |       |       |       | bit 8 |

|          |       |       |       |       |       |       |       |
|----------|-------|-------|-------|-------|-------|-------|-------|
| R/W-0    | R/W-0 | R/W-0 | R/W-0 | R/W-0 | R/W-0 | R/W-0 | R/W-0 |
| STA<7:0> |       |       |       |       |       |       |       |
| bit 7    |       |       |       |       |       |       | bit 0 |

### Legend:

R = Readable bit                      W = Writable bit                      U = Unimplemented bit, read as '0'  
 -n = Value at POR                      '1' = Bit is set                      '0' = Bit is cleared                      x = Bit is unknown

bit 15-0                      **STA<15:0>:** DMA Primary Start Address bits (source or destination)

# dsPIC33EVXXGM00X/10X FAMILY

## REGISTER 8-5: DMA<sub>x</sub>STBH: DMA CHANNEL x START ADDRESS REGISTER B (HIGH)

|        |     |     |     |     |     |     |       |
|--------|-----|-----|-----|-----|-----|-----|-------|
| U-0    | U-0 | U-0 | U-0 | U-0 | U-0 | U-0 | U-0   |
| —      | —   | —   | —   | —   | —   | —   | —     |
| bit 15 |     |     |     |     |     |     | bit 8 |

|            |       |       |       |       |       |       |       |
|------------|-------|-------|-------|-------|-------|-------|-------|
| R/W-0      | R/W-0 | R/W-0 | R/W-0 | R/W-0 | R/W-0 | R/W-0 | R/W-0 |
| STB<23:16> |       |       |       |       |       |       |       |
| bit 7      |       |       |       |       |       |       | bit 0 |

### Legend:

R = Readable bit                      W = Writable bit                      U = Unimplemented bit, read as '0'  
 -n = Value at POR                      '1' = Bit is set                      '0' = Bit is cleared                      x = Bit is unknown

bit 15-8                      **Unimplemented:** Read as '0'  
 bit 7-0                      **STB<23:16>:** DMA Secondary Start Address bits (source or destination)

## REGISTER 8-6: DMA<sub>x</sub>STBL: DMA CHANNEL x START ADDRESS REGISTER B (LOW)

|           |       |       |       |       |       |       |       |
|-----------|-------|-------|-------|-------|-------|-------|-------|
| R/W-0     | R/W-0 | R/W-0 | R/W-0 | R/W-0 | R/W-0 | R/W-0 | R/W-0 |
| STB<15:8> |       |       |       |       |       |       |       |
| bit 15    |       |       |       |       |       |       | bit 8 |

|          |       |       |       |       |       |       |       |
|----------|-------|-------|-------|-------|-------|-------|-------|
| R/W-0    | R/W-0 | R/W-0 | R/W-0 | R/W-0 | R/W-0 | R/W-0 | R/W-0 |
| STB<7:0> |       |       |       |       |       |       |       |
| bit 7    |       |       |       |       |       |       | bit 0 |

### Legend:

R = Readable bit                      W = Writable bit                      U = Unimplemented bit, read as '0'  
 -n = Value at POR                      '1' = Bit is set                      '0' = Bit is cleared                      x = Bit is unknown

bit 15-0                      **STB<15:0>:** DMA Secondary Start Address bits (source or destination)

# dsPIC33EVXXGM00X/10X FAMILY

## REGISTER 8-7: DMA<sub>x</sub>PAD: DMA CHANNEL x PERIPHERAL ADDRESS REGISTER<sup>(1)</sup>

|           |       |       |       |       |       |       |       |
|-----------|-------|-------|-------|-------|-------|-------|-------|
| R/W-0     | R/W-0 | R/W-0 | R/W-0 | R/W-0 | R/W-0 | R/W-0 | R/W-0 |
| PAD<15:8> |       |       |       |       |       |       |       |
| bit 15    |       |       |       | bit 8 |       |       |       |

|          |       |       |       |       |       |       |       |
|----------|-------|-------|-------|-------|-------|-------|-------|
| R/W-0    | R/W-0 | R/W-0 | R/W-0 | R/W-0 | R/W-0 | R/W-0 | R/W-0 |
| PAD<7:0> |       |       |       |       |       |       |       |
| bit 7    |       |       |       | bit 0 |       |       |       |

**Legend:**

R = Readable bit                      W = Writable bit                      U = Unimplemented bit, read as '0'  
 -n = Value at POR                      '1' = Bit is set                      '0' = Bit is cleared                      x = Bit is unknown

bit 15-0                      **PAD<15:0>**: DMA Peripheral Address Register bits

**Note 1:** If the channel is enabled (i.e., active), writes to this register may result in unpredictable behavior of the DMA channel and should be avoided.

## REGISTER 8-8: DMA<sub>x</sub>CNT: DMA CHANNEL x TRANSFER COUNT REGISTER<sup>(1)</sup>

|        |     |                          |       |       |       |       |       |
|--------|-----|--------------------------|-------|-------|-------|-------|-------|
| U-0    | U-0 | R/W-0                    | R/W-0 | R/W-0 | R/W-0 | R/W-0 | R/W-0 |
| —      | —   | CNT<13:8> <sup>(2)</sup> |       |       |       |       |       |
| bit 15 |     |                          |       | bit 8 |       |       |       |

|                         |       |       |       |       |       |       |       |
|-------------------------|-------|-------|-------|-------|-------|-------|-------|
| R/W-0                   | R/W-0 | R/W-0 | R/W-0 | R/W-0 | R/W-0 | R/W-0 | R/W-0 |
| CNT<7:0> <sup>(2)</sup> |       |       |       |       |       |       |       |
| bit 7                   |       |       |       | bit 0 |       |       |       |

**Legend:**

R = Readable bit                      W = Writable bit                      U = Unimplemented bit, read as '0'  
 -n = Value at POR                      '1' = Bit is set                      '0' = Bit is cleared                      x = Bit is unknown

bit 15-14                      **Unimplemented:** Read as '0'

bit 13-0                      **CNT<13:0>**: DMA Transfer Count Register bits<sup>(2)</sup>

**Note 1:** If the channel is enabled (i.e., active), writes to this register may result in unpredictable behavior of the DMA channel and should be avoided.

**2:** The number of DMA transfers = CNT<13:0> + 1.

# dsPIC33EVXXGM00X/10X FAMILY

## REGISTER 8-9: DSADRH: DMA MOST RECENT RAM HIGH ADDRESS REGISTER

|        |     |     |     |     |     |     |       |
|--------|-----|-----|-----|-----|-----|-----|-------|
| U-0    | U-0 | U-0 | U-0 | U-0 | U-0 | U-0 | U-0   |
| —      | —   | —   | —   | —   | —   | —   | —     |
| bit 15 |     |     |     |     |     |     | bit 8 |

|              |     |     |     |     |     |     |       |
|--------------|-----|-----|-----|-----|-----|-----|-------|
| R-0          | R-0 | R-0 | R-0 | R-0 | R-0 | R-0 | R-0   |
| DSADR<23:16> |     |     |     |     |     |     |       |
| bit 7        |     |     |     |     |     |     | bit 0 |

### Legend:

R = Readable bit                      W = Writable bit                      U = Unimplemented bit, read as '0'  
 -n = Value at POR                      '1' = Bit is set                      '0' = Bit is cleared                      x = Bit is unknown

bit 15-8                      **Unimplemented:** Read as '0'  
 bit 7-0                      **DSADR<23:16>:** Most Recent DMA Address Accessed by DMA bits

## REGISTER 8-10: DSADRL: DMA MOST RECENT RAM LOW ADDRESS REGISTER

|             |     |     |     |     |     |     |       |
|-------------|-----|-----|-----|-----|-----|-----|-------|
| R-0         | R-0 | R-0 | R-0 | R-0 | R-0 | R-0 | R-0   |
| DSADR<15:8> |     |     |     |     |     |     |       |
| bit 15      |     |     |     |     |     |     | bit 8 |

|            |     |     |     |     |     |     |       |
|------------|-----|-----|-----|-----|-----|-----|-------|
| R-0        | R-0 | R-0 | R-0 | R-0 | R-0 | R-0 | R-0   |
| DSADR<7:0> |     |     |     |     |     |     |       |
| bit 7      |     |     |     |     |     |     | bit 0 |

### Legend:

R = Readable bit                      W = Writable bit                      U = Unimplemented bit, read as '0'  
 -n = Value at POR                      '1' = Bit is set                      '0' = Bit is cleared                      x = Bit is unknown

bit 15-0                      **DSADR<15:0>:** Most Recent DMA Address Accessed by DMA bits

# dsPIC33EVXXGM00X/10X FAMILY

## REGISTER 8-11: DMAPWC: DMA PERIPHERAL WRITE COLLISION STATUS REGISTER

|        |     |     |     |     |     |     |       |
|--------|-----|-----|-----|-----|-----|-----|-------|
| U-0    | U-0 | U-0 | U-0 | U-0 | U-0 | U-0 | U-0   |
| —      | —   | —   | —   | —   | —   | —   | —     |
| bit 15 |     |     |     |     |     |     | bit 8 |

|       |     |     |     |        |        |        |        |
|-------|-----|-----|-----|--------|--------|--------|--------|
| U-0   | U-0 | U-0 | U-0 | R-0    | R-0    | R-0    | R-0    |
| —     | —   | —   | —   | PWCOL3 | PWCOL2 | PWCOL1 | PWCOL0 |
| bit 7 |     |     |     | bit 0  |        |        |        |

### Legend:

R = Readable bit                      W = Writable bit                      U = Unimplemented bit, read as '0'  
 -n = Value at POR                      '1' = Bit is set                      '0' = Bit is cleared                      x = Bit is unknown

- bit 15-4        **Unimplemented:** Read as '0'
- bit 3         **PWCOL3:** Channel 3 Peripheral Write Collision Flag bit
  - 1 = Write collision is detected
  - 0 = Write collision is not detected
- bit 2         **PWCOL2:** Channel 2 Peripheral Write Collision Flag bit
  - 1 = Write collision is detected
  - 0 = Write collision is not detected
- bit 1         **PWCOL1:** Channel 1 Peripheral Write Collision Flag bit
  - 1 = Write collision is detected
  - 0 = Write collision is not detected
- bit 0         **PWCOL0:** Channel 0 Peripheral Write Collision Flag bit
  - 1 = Write collision is detected
  - 0 = Write collision is not detected

# dsPIC33EVXXGM00X/10X FAMILY

## REGISTER 8-12: DMARQC: DMA REQUEST COLLISION STATUS REGISTER

|        |     |     |     |     |     |     |       |
|--------|-----|-----|-----|-----|-----|-----|-------|
| U-0    | U-0 | U-0 | U-0 | U-0 | U-0 | U-0 | U-0   |
| —      | —   | —   | —   | —   | —   | —   | —     |
| bit 15 |     |     |     |     |     |     | bit 8 |

|       |     |     |     |        |        |        |        |
|-------|-----|-----|-----|--------|--------|--------|--------|
| U-0   | U-0 | U-0 | U-0 | R-0    | R-0    | R-0    | R-0    |
| —     | —   | —   | —   | RQCOL3 | RQCOL2 | RQCOL1 | RQCOL0 |
| bit 7 |     |     |     |        |        |        | bit 0  |

### Legend:

|                   |                  |                                    |
|-------------------|------------------|------------------------------------|
| R = Readable bit  | W = Writable bit | U = Unimplemented bit, read as '0' |
| -n = Value at POR | '1' = Bit is set | '0' = Bit is cleared               |
|                   |                  | x = Bit is unknown                 |

- bit 15-4      **Unimplemented:** Read as '0'
- bit 3        **RQCOL3:** Channel 3 Transfer Request Collision Flag bit
  - 1 = User force and interrupt-based request collision is detected
  - 0 = User force and interrupt-based request collision is not detected
- bit 2        **RQCOL2:** Channel 2 Transfer Request Collision Flag bit
  - 1 = User force and interrupt-based request collision is detected
  - 0 = User force and interrupt-based request collision is not detected
- bit 1        **RQCOL1:** Channel 1 Transfer Request Collision Flag bit
  - 1 = User force and interrupt-based request collision is detected
  - 0 = User force and interrupt-based request collision is not detected
- bit 0        **RQCOL0:** Channel 0 Transfer Request Collision Flag bit
  - 1 = User force and interrupt-based request collision is detected
  - 0 = User force and interrupt-based request collision is not detected

# dsPIC33EVXXGM00X/10X FAMILY

## REGISTER 8-13: DMALCA: DMA LAST CHANNEL ACTIVE STATUS REGISTER

|        |     |     |     |     |     |       |     |
|--------|-----|-----|-----|-----|-----|-------|-----|
| U-0    | U-0 | U-0 | U-0 | U-0 | U-0 | U-0   | U-0 |
| —      | —   | —   | —   | —   | —   | —     | —   |
| bit 15 |     |     |     |     |     | bit 8 |     |

|       |     |     |     |            |     |     |     |
|-------|-----|-----|-----|------------|-----|-----|-----|
| U-0   | U-0 | U-0 | U-0 | R-1        | R-1 | R-1 | R-1 |
| —     | —   | —   | —   | LSTCH<3:0> |     |     |     |
| bit 7 |     |     |     | bit 0      |     |     |     |

### Legend:

|                   |                  |  |
|-------------------|------------------|--|
| R = Readable bit  | W = Writable bit | U = Unimplemented bit, read as '0'           |
| -n = Value at POR | '1' = Bit is set | '0' = Bit is cleared      x = Bit is unknown |

- bit 15-4      **Unimplemented:** Read as '0'
- bit 3-0      **LSTCH<3:0>:** Last DMAC Channel Active Status bits
  - 1111 = No DMA transfer has occurred since system Reset
  - 1110 = Reserved
  - 
  - 
  - 
  - 0100 = Reserved
  - 0011 = Last data transfer was handled by Channel 3
  - 0010 = Last data transfer was handled by Channel 2
  - 0001 = Last data transfer was handled by Channel 1
  - 0000 = Last data transfer was handled by Channel 0



# dsPIC33EVXXGM00X/10X FAMILY

## REGISTER 8-14: DMAPPS: DMA PING-PONG STATUS REGISTER

|        |     |     |     |     |     |       |     |
|--------|-----|-----|-----|-----|-----|-------|-----|
| U-0    | U-0 | U-0 | U-0 | U-0 | U-0 | U-0   | U-0 |
| —      | —   | —   | —   | —   | —   | —     | —   |
| bit 15 |     |     |     |     |     | bit 8 |     |

|       |     |     |     |       |       |       |       |
|-------|-----|-----|-----|-------|-------|-------|-------|
| U-0   | U-0 | U-0 | U-0 | R-0   | R-0   | R-0   | R-0   |
| —     | —   | —   | —   | PPST3 | PPST2 | PPST1 | PPST0 |
| bit 7 |     |     |     | bit 0 |       |       |       |

### Legend:

|                   |                  |                                    |
|-------------------|------------------|------------------------------------|
| R = Readable bit  | W = Writable bit | U = Unimplemented bit, read as '0' |
| -n = Value at POR | '1' = Bit is set | '0' = Bit is cleared               |
|                   |                  | x = Bit is unknown                 |

- bit 15-4      **Unimplemented:** Read as '0'
- bit 3        **PPST3:** Channel 3 Ping-Pong Mode Status Flag bit
  - 1 = DMA3STB register is selected
  - 0 = DMA3STA register is selected
- bit 2        **PPST2:** Channel 2 Ping-Pong Mode Status Flag bit
  - 1 = DMA2STB register is selected
  - 0 = DMA2STA register is selected
- bit 1        **PPST1:** Channel 1 Ping-Pong Mode Status Flag bit
  - 1 = DMA1STB register is selected
  - 0 = DMA1STA register is selected
- bit 0        **PPST0:** Channel 0 Ping-Pong mode Status Flag bit
  - 1 = DMA0STB register is selected
  - 0 = DMA0STA register is selected

# dsPIC33EVXXGM00X/10X FAMILY

---

---

NOTES:

# dsPIC33EVXXXGM00X/10X FAMILY

## 9.0 OSCILLATOR CONFIGURATION

**Note 1:** This data sheet summarizes the features of the dsPIC33EVXXXGM00X/10X family of devices. It is not intended to be a comprehensive reference source. To complement the information in this data sheet, refer to “Oscillator” (DS70580) in the “dsPIC33/PIC24 Family Reference Manual”, which is available from the Microchip web site ([www.microchip.com](http://www.microchip.com)).

**2:** Some registers and associated bits described in this section may not be available on all devices. Refer to [Section 4.0 “Memory Organization”](#) in this data sheet for device-specific register and bit information.

The dsPIC33EVXXXGM00X/10X family oscillator system provides:

- On-Chip Phase-Locked Loop (PLL) to Boost Internal Operating Frequency on Select Internal and External Oscillator Sources
- On-the-Fly Clock Switching between Various Clock Sources
- Doze mode for System Power Savings
- Fail-Safe Clock Monitor (FSCM) that Detects Clock Failure and Permits Safe Application Recovery or Shutdown.
- Backup FRC (BFRC) Function that Provides a System Clock when there is a Failure in the FRC Clock
- Configuration bits for Clock Source Selection

A simplified diagram of the oscillator system is shown in [Figure 9-1](#).

**FIGURE 9-1: OSCILLATOR SYSTEM DIAGRAM**



**Note 1:** See [Figure 9-2](#) for PLL and Fvco details.

**2:** The term, Fp, refers to the clock source for all peripherals, while Fcy refers to the clock source for the CPU. Throughout this document, Fcy and Fp are used interchangeably, except in the case of Doze mode. Fp and Fcy will be different when Doze mode is used with a Doze ratio of 1:2 or lower.

# dsPIC33EVXXGM00X/10X FAMILY

## 9.1 CPU Clocking System

The dsPIC33EVXXGM00X/10X family of devices provides the following six system clock options:

- Fast RC (FRC) Oscillator
- FRC Oscillator with Phase-Locked Loop (PLL)
- FRC Oscillator with Postscaler
- Primary (XT, HS or EC) Oscillator
- Primary Oscillator with PLL
- Low-Power RC (LPRC) Oscillator

For instruction execution speed or device operating frequency,  $F_{CY}$ , see [Equation 9-1](#).

### EQUATION 9-1: DEVICE OPERATING FREQUENCY

$$F_{CY} = F_{OSC}/2$$

[Figure 9-2](#) provides the block diagram of the PLL module.

[Equation 9-2](#) provides the relationship between input frequency ( $F_{IN}$ ) and output frequency ( $F_{OSC}$ ).

[Equation 9-3](#) provides the relationship between input frequency ( $F_{IN}$ ) and VCO frequency ( $F_{SYS}$ ).

**FIGURE 9-2: PLL BLOCK DIAGRAM**



### EQUATION 9-2: Fosc CALCULATION

$$F_{OSC} = F_{IN} \times \left( \frac{M}{N1 \times N2} \right) = F_{IN} \times \left( \frac{(PLLDIV<8:0> + 2)}{(PLLPRE<4:0> + 2) \times 2(PLLPOST<1:0> + 1)} \right)$$

Where:

$$N1 = PLLPRE<4:0> + 2$$

$$N2 = 2 \times (PLLPOST<1:0> + 1)$$

$$M = PLLDIV<8:0> + 2$$

### EQUATION 9-3: Fvco CALCULATION

$$F_{SYS} = F_{IN} \times \left( \frac{M}{N1} \right) = F_{IN} \times \left( \frac{(PLLDIV<8:0> + 2)}{(PLLPRE<4:0> + 2)} \right)$$

# dsPIC33EVXXGM00X/10X FAMILY

Table 9-1 provides the Configuration bits which allow users to choose between the various clock modes.

**TABLE 9-1: CONFIGURATION BIT VALUES FOR CLOCK SELECTION**

| Oscillator Mode   | Oscillator Source | POSCMD<1:0> | FNOSC<2:0> |
|---|-------------------|-------------|------------|
| Fast RC Oscillator with Divide-by-N (FRCDIVN) <sup>(1,2)</sup>            | Internal          | xx          | 111        |
| Fast RC Oscillator with Divide-by-16 (FRCDIV16) <sup>(1)</sup>            | Internal          | xx          | 110        |
| Low-Power RC Oscillator (LPRC) <sup>(1)</sup>                             | Internal          | xx          | 101        |
| Primary Oscillator (HS) with PLL (HSPLL)                                  | Primary           | 10          | 011        |
| Primary Oscillator (XT) with PLL (XTPLL)                                  | Primary           | 01          | 011        |
| Primary Oscillator (EC) with PLL (ECPLL) <sup>(1)</sup>                   | Primary           | 00          | 011        |
| Primary Oscillator (HS)   | Primary           | 10          | 010        |
| Primary Oscillator (XT)   | Primary           | 01          | 010        |
| Primary Oscillator (EC) <sup>(1)</sup>                                    | Primary           | 00          | 010        |
| Fast RC Oscillator (FRC) with Divide-by-N and PLL (FRCPLL) <sup>(1)</sup> | Internal          | xx          | 001        |
| Fast RC Oscillator (FRC) <sup>(1)</sup>                                   | Internal          | xx          | 000        |

**Note 1:** OSC2 pin function is determined by the OSCIOFNC Configuration bit.

**2:** This is the default oscillator mode for an unprogrammed (erased) device.

# dsPIC33EVXXGM00X/10X FAMILY

## REGISTER 9-1: OSCCON: OSCILLATOR CONTROL REGISTER<sup>(1,3)</sup>

|        |       |       |       |     |                      |                      |                      |
|--------|-------|-------|-------|-----|----------------------|----------------------|----------------------|
| U-0    | R-0   | R-0   | R-0   | U-0 | R/W-y                | R/W-y                | R/W-y                |
| —      | COSC2 | COSC1 | COSC0 | —   | NOSC2 <sup>(2)</sup> | NOSC1 <sup>(2)</sup> | NOSC0 <sup>(2)</sup> |
| bit 15 |       |       |       |     |                      | bit 8                |                      |

|         |        |      |     |       |     |       |       |
|---------|--------|------|-----|-------|-----|-------|-------|
| R/W-0   | R/W-0  | R-0  | U-0 | R/C-0 | U-0 | U-0   | R/W-0 |
| CLKLOCK | IOLOCK | LOCK | —   | CF    | —   | —     | OSWEN |
| bit 7   |        |      |     |       |     | bit 0 |       |

|                   |                   |  |
|-------------------|-------------------|--|
| <b>Legend:</b>    | C = Clearable bit | y = Value set from Configuration bits on POR |
| R = Readable bit  | W = Writable bit  | U = Unimplemented bit, read as '0'           |
| -n = Value at POR | '1' = Bit is set  | '0' = Bit is cleared                         |
|                   |                   | x = Bit is unknown                           |

bit 15 **Unimplemented:** Read as '0'

bit 14-12 **COSC<2:0>:** Current Oscillator Selection bits (read-only)

- 111 = Fast RC Oscillator (FRC) with Divide-by-N
- 110 = Fast RC Oscillator (FRC) with Divide-by-16
- 101 = Low-Power RC Oscillator (LPRC)
- 100 = Backup FRC Oscillator (BFRC)<sup>(4)</sup>
- 011 = Primary Oscillator (XT, HS, EC) with PLL
- 010 = Primary Oscillator (XT, HS, EC)
- 001 = Fast RC Oscillator (FRC) Divided by N and PLL
- 000 = Fast RC Oscillator (FRC)

bit 11 **Unimplemented:** Read as '0'

bit 10-8 **NOSC<2:0>:** New Oscillator Selection bits<sup>(2)</sup>

- 111 = Fast RC Oscillator (FRC) with Divide-by-N
- 110 = Fast RC Oscillator (FRC) with Divide-by-16
- 101 = Low-Power RC Oscillator (LPRC)
- 100 = Reserved<sup>(5)</sup>
- 011 = Primary Oscillator (XT, HS, EC) with PLL
- 010 = Primary Oscillator (XT, HS, EC)
- 001 = Fast RC Oscillator (FRC) Divided by N and PLL
- 000 = Fast RC Oscillator (FRC)

bit 7 **CLKLOCK:** Clock Lock Enable bit

- 1 = If FCKSM0 = 1, then clock and PLL configurations are locked; if FCKSM0 = 0, then clock and PLL configurations may be modified
- 0 = Clock and PLL selections are not locked, configurations may be modified

bit 6 **IOLOCK:** I/O Lock Enable bit

- 1 = I/O lock is active
- 0 = I/O lock is not active

bit 5 **LOCK:** PLL Lock Status bit (read-only)

- 1 = Indicates that PLL is in lock or PLL start-up timer is satisfied
- 0 = Indicates that PLL is out of lock, start-up timer is in progress or PLL is disabled

**Note 1:** Writes to this register require an unlock sequence. Refer to “**Oscillator**” (DS70580) in the “*dsPIC33/PIC24 Family Reference Manual*” (available from the Microchip web site) for details.

**2:** Direct clock switches between any Primary Oscillator mode with PLL and FRCPLL mode are not permitted. This applies to clock switches in either direction. In these instances, the application must switch to FRC mode as a transitional clock source between the two PLL modes.

**3:** This register resets only on a Power-on Reset (POR).

**4:** COSC<2:0> bits will be set to '0b100' when FRC fails.

**5:** User cannot write '0b100' to NOSC<2:0>. COSC<2:0> will be set to '0b100' (BFRC) when the FRC fails.

# dsPIC33EVXXGM00X/10X FAMILY

---

---

## REGISTER 9-1: OSCCON: OSCILLATOR CONTROL REGISTER<sup>(1,3)</sup> (CONTINUED)

- bit 4           **Unimplemented:** Read as '0'
- bit 3           **CF:** Clock Fail Detect bit (read/clear by application)  
                  1 = FSCM has detected a clock failure  
                  0 = FSCM has not detected a clock failure
- bit 2-1        **Unimplemented:** Read as '0'
- bit 0           **OSWEN:** Oscillator Switch Enable bit  
                  1 = Requests oscillator switch to selection specified by the NOSC<2:0> bits  
                  0 = Oscillator switch is complete

- Note 1:** Writes to this register require an unlock sequence. Refer to “**Oscillator**” (DS70580) in the “*dsPIC33/PIC24 Family Reference Manual*” (available from the Microchip web site) for details.
- 2:** Direct clock switches between any Primary Oscillator mode with PLL and FRCPLL mode are not permitted. This applies to clock switches in either direction. In these instances, the application must switch to FRC mode as a transitional clock source between the two PLL modes.
- 3:** This register resets only on a Power-on Reset (POR).
- 4:** COSC<2:0> bits will be set to '0b100' when FRC fails.
- 5:** User cannot write '0b100' to NOSC<2:0>. COSC<2:0> will be set to '0b100' (BFRC) when the FRC fails.

# dsPIC33EVXXGM00X/10X FAMILY

## REGISTER 9-2: CLKDIV: CLOCK DIVISOR REGISTER<sup>(2)</sup>

|        |                      |                      |                      |                        |         |         |         |
|--------|----------------------|----------------------|----------------------|------------------------|---------|---------|---------|
| R/W-0  | R/W-0                | R/W-0                | R/W-0                | R/W-0                  | R/W-0   | R/W-0   | R/W-1   |
| ROI    | DOZE2 <sup>(3)</sup> | DOZE1 <sup>(3)</sup> | DOZE0 <sup>(3)</sup> | DOZEN <sup>(1,4)</sup> | FRCDIV2 | FRCDIV1 | FRCDIV0 |
| bit 15 |                      |                      |                      |                        |         |         | bit 8   |

|          |          |     |         |         |         |         |         |
|----------|----------|-----|---------|---------|---------|---------|---------|
| R/W-0    | R/W-0    | U-0 | R/W-0   | R/W-0   | R/W-0   | R/W-0   | R/W-0   |
| PLLPOST1 | PLLPOST0 | —   | PLLPRE4 | PLLPRE3 | PLLPRE2 | PLLPRE1 | PLLPRE0 |
| bit 7    |          |     |         |         |         |         | bit 0   |

### Legend:

R = Readable bit                      W = Writable bit                      U = Unimplemented bit, read as '0'  
 -n = Value at POR                      '1' = Bit is set                      '0' = Bit is cleared                      x = Bit is unknown

- bit 15            **ROI:** Recover on Interrupt bit  
                   1 = Interrupts will clear the DOZEN bit  
                   0 = Interrupts have no effect on the DOZEN bit
- bit 14-12       **DOZE<2:0>:** Processor Clock Reduction Select bits<sup>(3)</sup>  
                   111 = Fcy divided by 128  
                   110 = Fcy divided by 64  
                   101 = Fcy divided by 32  
                   100 = Fcy divided by 16  
                   011 = Fcy divided by 8  
                   010 = Fcy divided by 4  
                   001 = Fcy divided by 2  
                   000 = Fcy divided by 1 (default)
- bit 11            **DOZEN:** Doze Mode Enable bit<sup>(1,4)</sup>  
                   1 = DOZE<2:0> field specifies the ratio between the peripheral clocks and the processor clocks  
                   0 = Processor clock and peripheral clock ratio are forced to 1:1
- bit 10-8        **FRCDIV<2:0>:** Internal Fast RC Oscillator Postscaler bits  
                   111 = FRC divided by 256  
                   110 = FRC divided by 64  
                   101 = FRC divided by 32  
                   100 = FRC divided by 16  
                   011 = FRC divided by 8  
                   010 = FRC divided by 4  
                   001 = FRC divided by 2 (default)  
                   000 = FRC divided by 1
- bit 7-6         **PLLPOST<1:0>:** PLL VCO Output Divider Select bits (also denoted as 'N2', PLL postscaler)  
                   11 = Output divided by 8  
                   10 = Reserved  
                   01 = Output divided by 4  
                   00 = Output divided by 2
- bit 5            **Unimplemented:** Read as '0'

- Note 1:** This bit is cleared when the ROI bit is set and an interrupt occurs.  
**Note 2:** This register resets only on a Power-on Reset (POR).  
**Note 3:** DOZE<2:0> bits can only be written to when the DOZEN bit is clear. If DOZEN = 1, any writes to DOZE<2:0> are ignored.  
**Note 4:** The DOZEN bit cannot be set if DOZE<2:0> = 000. If DOZE<2:0> = 000, any attempt by user software to set the DOZEN bit is ignored.



## REGISTER 9-2: CLKDIV: CLOCK DIVISOR REGISTER<sup>(2)</sup> (CONTINUED)

bit 4-0      **PLLPRE<4:0>**: PLL Phase Detector Input Divider Select bits (also denoted as 'N1', PLL prescaler)

- 11111 = Input divided by 33
- 
- 
- 
- 00001 = Input divided by 3
- 00000 = Input divided by 2 (default)

- Note 1:** This bit is cleared when the ROI bit is set and an interrupt occurs.
- 2:** This register resets only on a Power-on Reset (POR).
- 3:** DOZE<2:0> bits can only be written to when the DOZEN bit is clear. If DOZEN = 1, any writes to DOZE<2:0> are ignored.
- 4:** The DOZEN bit cannot be set if DOZE<2:0> = 000. If DOZE<2:0> = 000, any attempt by user software to set the DOZEN bit is ignored.

# dsPIC33EVXXGM00X/10X FAMILY

## REGISTER 9-3: PLLFBD: PLL FEEDBACK DIVISOR REGISTER<sup>(1)</sup>

|        |     |     |     |     |     |     |         |
|--------|-----|-----|-----|-----|-----|-----|---------|
| U-0    | U-0 | U-0 | U-0 | U-0 | U-0 | U-0 | R/W-0   |
| —      | —   | —   | —   | —   | —   | —   | PLLDIV8 |
| bit 15 |     |     |     |     |     |     | bit 8   |

|             |       |       |       |       |       |       |       |
|-------------|-------|-------|-------|-------|-------|-------|-------|
| R/W-0       | R/W-0 | R/W-1 | R/W-1 | R/W-0 | R/W-0 | R/W-0 | R/W-0 |
| PLLDIV<7:0> |       |       |       |       |       |       |       |
| bit 7       |       |       |       |       |       |       | bit 0 |

### Legend:

|                   |                  |  |
|-------------------|------------------|--|
| R = Readable bit  | W = Writable bit | U = Unimplemented bit, read as '0'           |
| -n = Value at POR | '1' = Bit is set | '0' = Bit is cleared      x = Bit is unknown |

bit 15-9      **Unimplemented:** Read as '0'

bit 8-0      **PLLDIV<8:0>:** PLL Feedback Divisor bits (also denoted as 'M', PLL multiplier)

111111111 = 513

•

•

•

000110000 = 50 (default)

•

•

•

000000010 = 4

000000001 = 3

000000000 = 2

**Note 1:** This register is reset only on a Power-on Reset (POR).

# dsPIC33EVXXGM00X/10X FAMILY

## REGISTER 9-4: OSCTUN: FRC OSCILLATOR TUNING REGISTER<sup>(1)</sup>

|        |     |     |     |     |     |     |       |
|--------|-----|-----|-----|-----|-----|-----|-------|
| U-0    | U-0 | U-0 | U-0 | U-0 | U-0 | U-0 | U-0   |
| —      | —   | —   | —   | —   | —   | —   | —     |
| bit 15 |     |     |     |     |     |     | bit 8 |

|       |     |          |       |       |       |       |       |
|-------|-----|----------|-------|-------|-------|-------|-------|
| U-0   | U-0 | R/W-0    | R/W-0 | R/W-0 | R/W-0 | R/W-0 | R/W-0 |
| —     | —   | TUN<5:0> |       |       |       |       |       |
| bit 7 |     |          |       |       |       |       | bit 0 |

### Legend:

R = Readable bit                      W = Writable bit                      U = Unimplemented bit, read as '0'  
-n = Value at POR                      '1' = Bit is set                      '0' = Bit is cleared                      x = Bit is unknown

bit 15-6                      **Unimplemented:** Read as '0'

bit 5-0                      **TUN<5:0>:** FRC Oscillator Tuning bits

111111 = Center frequency – 0.048% (7.363 MHz)

•

•

•

100001 = Center frequency – 1.5% (7.259 MHz)

100000 = Center frequency – 1.548% (7.252 MHz)

011111 = Center frequency + 1.5% (7.48 MHz)

011110 = Center frequency + 1.452% (7.477 MHz)

•

•

•

000001 = Center frequency + 0.048% (7.373 MHz)

000000 = Center frequency (7.37 MHz nominal)

**Note 1:** This register is reset only on a Power-on Reset (POR).

# dsPIC33EVXXGM00X/10X FAMILY

## REGISTER 9-5: REFOCON: REFERENCE OSCILLATOR CONTROL REGISTER

|        |     |        |       |                       |                       |                       |                       |
|--------|-----|--------|-------|-----------------------|-----------------------|-----------------------|-----------------------|
| R/W-0  | U-0 | R/W-0  | R/W-0 | R/W-0                 | R/W-0                 | R/W-0                 | R/W-0                 |
| ROON   | —   | ROSSLP | ROSEL | RODIV3 <sup>(1)</sup> | RODIV2 <sup>(1)</sup> | RODIV1 <sup>(1)</sup> | RODIV0 <sup>(1)</sup> |
| bit 15 |     |        |       |                       |                       |                       | bit 8                 |

|       |     |     |     |     |     |     |       |
|-------|-----|-----|-----|-----|-----|-----|-------|
| U-0   | U-0 | U-0 | U-0 | U-0 | U-0 | U-0 | U-0   |
| —     | —   | —   | —   | —   | —   | —   | —     |
| bit 7 |     |     |     |     |     |     | bit 0 |

### Legend:

R = Readable bit                      W = Writable bit                      U = Unimplemented bit, read as '0'  
 -n = Value at POR                      '1' = Bit is set                      '0' = Bit is cleared                      x = Bit is unknown

- bit 15            **ROON:** Reference Oscillator Output Enable bit  
                   1 = Reference oscillator output is enabled on the REFCLK pin<sup>(2)</sup>  
                   0 = Reference oscillator output is disabled
- bit 14            **Unimplemented:** Read as '0'
- bit 13            **ROSSLP:** Reference Oscillator Run in Sleep bit  
                   1 = Reference oscillator output continues to run in Sleep mode  
                   0 = Reference oscillator output is disabled in Sleep mode
- bit 12            **ROSEL:** Reference Oscillator Source Select bit  
                   1 = Oscillator crystal is used as the reference clock  
                   0 = System clock is used as the reference clock
- bit 11-8        **RODIV<3:0>:** Reference Oscillator Divider bits<sup>(1)</sup>  
                   1111 = Reference clock divided by 32,768  
                   1110 = Reference clock divided by 16,384  
                   1101 = Reference clock divided by 8,192  
                   1100 = Reference clock divided by 4,096  
                   1011 = Reference clock divided by 2,048  
                   1010 = Reference clock divided by 1,024  
                   1001 = Reference clock divided by 512  
                   1000 = Reference clock divided by 256  
                   0111 = Reference clock divided by 128  
                   0110 = Reference clock divided by 64  
                   0101 = Reference clock divided by 32  
                   0100 = Reference clock divided by 16  
                   0011 = Reference clock divided by 8  
                   0010 = Reference clock divided by 4  
                   0001 = Reference clock divided by 2  
                   0000 = Reference clock
- bit 7-0         **Unimplemented:** Read as '0'

**Note 1:** The reference oscillator output must be disabled (ROON = 0) before writing to these bits.  
**Note 2:** This pin is remappable. See [Section 11.5 “Peripheral Pin Select \(PPS\)”](#) for more information.

## 10.0 POWER-SAVING FEATURES

**Note 1:** This data sheet summarizes the features of the dsPIC33EVXXGM00X/10X family of devices. It is not intended to be a comprehensive reference source. To complement the information in this data sheet, refer to “**Watchdog Timer and Power-Saving Modes**” (DS70615) in the “*dsPIC33/PIC24 Family Reference Manual*”, which is available from the Microchip web site ([www.microchip.com](http://www.microchip.com)).

**2:** Some registers and associated bits described in this section may not be available on all devices. Refer to [Section 4.0 “Memory Organization”](#) in this data sheet for device-specific register and bit information.

The dsPIC33EVXXGM00X/10X devices provide the ability to manage power consumption by selectively managing clocking to the CPU and the peripherals. In general, a lower clock frequency and a reduction in the number of peripherals being clocked constitutes lower consumed power.

The dsPIC33EVXXGM00X/10X family devices can manage power consumption in the following four methods:

- Clock Frequency
- Instruction-Based Sleep and Idle modes
- Software Controlled Doze mode
- Selective Peripheral Control in Software

Combinations of these methods can be used to selectively tailor an application’s power consumption while still maintaining critical application features, such as timing-sensitive communications.

### EXAMPLE 10-1: PWRSAV INSTRUCTION SYNTAX

```
PWRSAV #SLEEP_MODE    ; Put the device into Sleep mode
PWRSAV #IDLE_MODE     ; Put the device into Idle mode
```

## 10.1 Clock Frequency and Clock Switching

The dsPIC33EVXXGM00X/10X family devices allow a wide range of clock frequencies to be selected under application control. If the system clock configuration is not locked, users can choose low-power or high-precision oscillators by simply changing the NOSCx bits (OSCCON<10:8>). For more information on the process of changing a system clock during operation, as well as limitations to the process, see [Section 9.0 “Oscillator Configuration”](#).

## 10.2 Instruction-Based Power-Saving Modes

The dsPIC33EVXXGM00X/10X family devices have two special power-saving modes that are entered through the execution of a special PWRSAV instruction. Sleep mode stops clock operation and halts all code execution. Idle mode halts the CPU and code execution, but allows peripheral modules to continue operation. The assembler syntax of the PWRSAV instruction is shown in [Example 10-1](#).

**Note:** SLEEP\_MODE and IDLE\_MODE are constants defined in the Assembler Include file for the selected device.

Sleep and Idle modes can be exited as a result of an enabled interrupt, WDT time-out or a device Reset. When the device exits these modes, it is said to “wake-up”.

# dsPIC33EVXXGM00X/10X FAMILY

---

## 10.2.1 SLEEP MODE

The following events occur in Sleep mode:

- The system clock source is shut down. If an on-chip oscillator is used, it is turned off.
- The device current consumption is reduced to a minimum, provided that no I/O pin is sourcing current.
- The Fail-Safe Clock Monitor does not operate, since the system clock source is disabled.
- The LPRC clock continues to run in Sleep mode if the WDT is enabled.
- The WDT, if enabled, is automatically cleared before entering Sleep mode.
- Some device features or peripherals can continue to operate. This includes items such as the Input Change Notification (ICN) on the I/O ports or peripherals that use an external clock input.
- Any peripheral that requires the system clock source for its operation is disabled.

The device wakes up from Sleep mode on any of these events:

- Any interrupt source that is individually enabled
- Any form of device Reset
- A WDT time-out

On wake-up from Sleep mode, the processor restarts with the same clock source that was active when Sleep mode was entered.

For optimal power savings, the internal regulator and the Flash regulator can be configured to go into Standby mode when Sleep mode is entered by clearing the VREGS (RCON<8>) and VREGSF (RCON<11>) bits (default configuration).

If the application requires a faster wake-up time, and can accept higher current requirements, the VREGS (RCON<8>) and VREGSF (RCON<11>) bits can be set to keep the internal regulator and the Flash regulator active during Sleep mode.

## 10.2.2 IDLE MODE

The following events occur in Idle mode:

- The CPU stops executing instructions.
- The WDT is automatically cleared.
- The system clock source remains active. By default, all peripheral modules continue to operate normally from the system clock source, but can also be selectively disabled (see [Section 10.4 “Peripheral Module Disable”](#)).
- If the WDT or FSCM is enabled, the LPRC also remains active.

The device wakes from Idle mode on any of these events:

- Any interrupt that is individually enabled
- Any device Reset
- A WDT time-out

On wake-up from Idle mode, the clock is reapplied to the CPU and instruction execution will begin (2-4 clock cycles later), starting with the instruction following the `PWRSVAV` instruction or the first instruction in the Interrupt Service Routine (ISR).

All peripherals also have the option to discontinue operation when Idle mode is entered to allow for increased power savings. This option is selectable in the control register of each peripheral; for example, the `TSIDL` bit in the Timer1 Control register (`T1CON<13>`).

## 10.2.3 INTERRUPTS COINCIDENT WITH POWER SAVE INSTRUCTIONS

Any interrupt that coincides with the execution of a `PWRSVAV` instruction is held off until entry into Sleep or Idle mode has completed. The device then wakes up either from Sleep mode or Idle mode.

## 10.3 Doze Mode

The preferred strategies for reducing power consumption are changing clock speed and invoking one of the power-saving modes. In some circumstances, this may not be practical. For example, it may be necessary for an application to maintain uninterrupted synchronous communication, even while it is doing nothing else. Reducing system clock speed can introduce communication errors, while using a power-saving mode can stop communications completely.

Doze mode is a simple and effective alternative method to reduce power consumption while the device is still executing code. In this mode, the system clock continues to operate from the same source and at the same speed. Peripheral modules continue to be clocked at the same speed, while the CPU clock speed is reduced. Synchronization between the two clock domains is maintained, allowing the peripherals to access the SFRs while the CPU executes code at a slower rate.

Doze mode is enabled by setting the DOZEN bit (CLKDIV<11>). The ratio between peripheral and core clock speed is determined by the DOZE<2:0> bits (CLKDIV<14:12>). There are eight possible configurations, from 1:1 to 1:128, with 1:1 being the default setting.

Programs can use Doze mode to selectively reduce power consumption in event-driven applications. This allows clock-sensitive functions, such as synchronous communications, to continue without interruption while the CPU Idles, waiting for something to invoke an interrupt routine. An automatic return to full-speed CPU operation on interrupts can be enabled by setting the ROI bit (CLKDIV<15>). By default, interrupt events have no effect on Doze mode operation.

For example, suppose the device is operating at 20 MIPS and the CAN module has been configured for 500 kbps, based on this device operating speed. If the device is placed in Doze mode, with a clock frequency ratio of 1:4, the CAN module continues to communicate at the required bit rate of 500 kbps, but the CPU now starts executing instructions at a frequency of 5 MIPS.

## 10.4 Peripheral Module Disable

The Peripheral Module Disable (PMD) registers provide a method to disable a peripheral module by stopping all clock sources supplied to that module. When a peripheral is disabled, using the appropriate PMD<sub>x</sub> control bit, the peripheral is in a minimum power consumption state. The control and status registers associated with the peripheral are also disabled, so writes to those registers do not have any effect and read values are invalid.

A peripheral module is enabled only if both the associated bit in the PMD<sub>x</sub> register is cleared and the peripheral is supported by the specific dsPIC<sup>®</sup> DSC variant. If the peripheral is present in the device, it is enabled in the PMD<sub>x</sub> register by default.

|   |
|---|
| <p><b>Note:</b> If a PMD<sub>x</sub> bit is set, the corresponding module is disabled after a delay of one instruction cycle. Similarly, if a PMD<sub>x</sub> bit is cleared, the corresponding module is enabled after a delay of one instruction cycle (assuming the module control registers are already configured to enable module operation).</p> |
|---|

# dsPIC33EVXXXGM00X/10X FAMILY

## REGISTER 10-1: PMD1: PERIPHERAL MODULE DISABLE CONTROL REGISTER 1

|        |       |       |       |       |     |       |       |
|--------|-------|-------|-------|-------|-----|-------|-------|
| R/W-0  | R/W-0 | R/W-0 | R/W-0 | R/W-0 | U-0 | R/W-0 | U-0   |
| T5MD   | T4MD  | T3MD  | T2MD  | T1MD  | —   | PWMMD | —     |
| bit 15 |       |       |       |       |     |       | bit 8 |

|        |       |       |        |        |     |                     |       |
|--------|-------|-------|--------|--------|-----|---------------------|-------|
| R/W-0  | R/W-0 | R/W-0 | R/W-0  | R/W-0  | U-0 | R/W-0               | R/W-0 |
| I2C1MD | U2MD  | U1MD  | SPI2MD | SPI1MD | —   | C1MD <sup>(1)</sup> | AD1MD |
| bit 7  |       |       |        |        |     |                     | bit 0 |

### Legend:

R = Readable bit                      W = Writable bit                      U = Unimplemented bit, read as '0'  
 -n = Value at POR                      '1' = Bit is set                      '0' = Bit is cleared                      x = Bit is unknown

- bit 15            **T5MD:** Timer5 Module Disable bit  
                   1 = Timer5 module is disabled  
                   0 = Timer5 module is enabled
- bit 14            **T4MD:** Timer4 Module Disable bit  
                   1 = Timer4 module is disabled  
                   0 = Timer4 module is enabled
- bit 13            **T3MD:** Timer3 Module Disable bit  
                   1 = Timer3 module is disabled  
                   0 = Timer3 module is enabled
- bit 12            **T2MD:** Timer2 Module Disable bit  
                   1 = Timer2 module is disabled  
                   0 = Timer2 module is enabled
- bit 11            **T1MD:** Timer1 Module Disable bit  
                   1 = Timer1 module is disabled  
                   0 = Timer1 module is enabled
- bit 10            **Unimplemented:** Read as '0'
- bit 9             **PWMMD:** PWM Module Disable bit  
                   1 = PWM module is disabled  
                   0 = PWM module is enabled
- bit 8             **Unimplemented:** Read as '0'
- bit 7             **I2C1MD:** I2C1 Module Disable bit  
                   1 = I2C1 module is disabled  
                   0 = I2C1 module is enabled
- bit 6             **U2MD:** UART2 Module Disable bit  
                   1 = UART2 module is disabled  
                   0 = UART2 module is enabled
- bit 5             **U1MD:** UART1 Module Disable bit  
                   1 = UART1 module is disabled  
                   0 = UART1 module is enabled
- bit 4             **SPI2MD:** SPI2 Module Disable bit  
                   1 = SPI2 module is disabled  
                   0 = SPI2 module is enabled
- bit 3             **SPI1MD:** SPI1 Module Disable bit  
                   1 = SPI1 module is disabled  
                   0 = SPI1 module is enabled

**Note 1:** This bit is available on dsPIC33EVXXXGM10X devices only.



# dsPIC33EVXXGM00X/10X FAMILY

## REGISTER 10-1: PMD1: PERIPHERAL MODULE DISABLE CONTROL REGISTER 1 (CONTINUED)

- bit 2        **Unimplemented:** Read as '0'
- bit 1        **C1MD:** CAN1 Module Disable bit<sup>(1)</sup>  
              1 = CAN1 module is disabled  
              0 = CAN1 module is enabled
- bit 0        **AD1MD:** ADC1 Module Disable bit  
              1 = ADC1 module is disabled  
              0 = ADC1 module is enabled

**Note 1:** This bit is available on dsPIC33EVXXGM10X devices only.

## REGISTER 10-2: PMD2: PERIPHERAL MODULE DISABLE CONTROL REGISTER 2

|        |     |     |     |       |       |       |       |
|--------|-----|-----|-----|-------|-------|-------|-------|
| U-0    | U-0 | U-0 | U-0 | R/W-0 | R/W-0 | R/W-0 | R/W-0 |
| —      | —   | —   | —   | IC4MD | IC3MD | IC2MD | IC1MD |
| bit 15 |     |     |     |       |       |       | bit 8 |

|       |     |     |     |       |       |       |       |
|-------|-----|-----|-----|-------|-------|-------|-------|
| U-0   | U-0 | U-0 | U-0 | R/W-0 | R/W-0 | R/W-0 | R/W-0 |
| —     | —   | —   | —   | OC4MD | OC3MD | OC2MD | OC1MD |
| bit 7 |     |     |     |       |       |       | bit 0 |

### Legend:

|                   |                  |  |
|-------------------|------------------|--|
| R = Readable bit  | W = Writable bit | U = Unimplemented bit, read as '0'           |
| -n = Value at POR | '1' = Bit is set | '0' = Bit is cleared      x = Bit is unknown |

- bit 15-12    **Unimplemented:** Read as '0'
- bit 11-8     **IC4MD:IC1MD:** Input Capture x (x = 1-4) Module Disable bits  
              1 = Input Capture x module is disabled  
              0 = Input Capture x module is enabled
- bit 7-4      **Unimplemented:** Read as '0'
- bit 3-0      **OC4MD:OC1MD:** Output Compare x (x = 1-4) Module Disable bits  
              1 = Output Compare x module is disabled  
              0 = Output Compare x module is enabled

# dsPIC33EVXXGM00X/10X FAMILY

## REGISTER 10-3: PMD3: PERIPHERAL MODULE DISABLE CONTROL REGISTER 3

|        |     |     |     |     |       |       |     |
|--------|-----|-----|-----|-----|-------|-------|-----|
| U-0    | U-0 | U-0 | U-0 | U-0 | R/W-0 | U-0   | U-0 |
| —      | —   | —   | —   | —   | CMPMD | —     | —   |
| bit 15 |     |     |     |     |       | bit 8 |     |

|       |     |     |     |     |     |       |     |
|-------|-----|-----|-----|-----|-----|-------|-----|
| U-0   | U-0 | U-0 | U-0 | U-0 | U-0 | U-0   | U-0 |
| —     | —   | —   | —   | —   | —   | —     | —   |
| bit 7 |     |     |     |     |     | bit 0 |     |

**Legend:**

R = Readable bit                      W = Writable bit                      U = Unimplemented bit, read as '0'  
 -n = Value at POR                      '1' = Bit is set                      '0' = Bit is cleared                      x = Bit is unknown

- bit 15-11      **Unimplemented:** Read as '0'
- bit 10        **CMPMD:** Comparator Module Disable bit  
                  1 = Comparator module is disabled  
                  0 = Comparator module is enabled
- bit 9-0       **Unimplemented:** Read as '0'

## REGISTER 10-4: PMD4: PERIPHERAL MODULE DISABLE CONTROL REGISTER 4

|        |     |     |     |     |     |       |     |
|--------|-----|-----|-----|-----|-----|-------|-----|
| U-0    | U-0 | U-0 | U-0 | U-0 | U-0 | U-0   | U-0 |
| —      | —   | —   | —   | —   | —   | —     | —   |
| bit 15 |     |     |     |     |     | bit 8 |     |

|       |     |     |     |        |        |       |     |
|-------|-----|-----|-----|--------|--------|-------|-----|
| U-0   | U-0 | U-0 | U-0 | R/W-0  | R/W-0  | U-0   | U-0 |
| —     | —   | —   | —   | REFOMD | CTMUMD | —     | —   |
| bit 7 |     |     |     |        |        | bit 0 |     |

**Legend:**

R = Readable bit                      W = Writable bit                      U = Unimplemented bit, read as '0'  
 -n = Value at POR                      '1' = Bit is set                      '0' = Bit is cleared                      x = Bit is unknown

- bit 15-4      **Unimplemented:** Read as '0'
- bit 3        **REFOMD:** Reference Clock Module Disable bit  
                  1 = Reference clock module is disabled  
                  0 = Reference clock module is enabled
- bit 2        **CTMUMD:** CTMU Module Disable bit  
                  1 = CTMU module is disabled  
                  0 = CTMU module is enabled
- bit 1-0      **Unimplemented:** Read as '0'

# dsPIC33EVXXGM00X/10X FAMILY

## REGISTER 10-5: PMD6: PERIPHERAL MODULE DISABLE CONTROL REGISTER 6

|        |     |     |     |     |        |        |        |
|--------|-----|-----|-----|-----|--------|--------|--------|
| U-0    | U-0 | U-0 | U-0 | U-0 | R/W-0  | R/W-0  | R/W-0  |
| —      | —   | —   | —   | —   | PWM3MD | PWM2MD | PWM1MD |
| bit 15 |     |     |     |     | bit 8  |        |        |

|       |     |     |     |     |     |       |     |
|-------|-----|-----|-----|-----|-----|-------|-----|
| U-0   | U-0 | U-0 | U-0 | U-0 | U-0 | U-0   | U-0 |
| —     | —   | —   | —   | —   | —   | —     | —   |
| bit 7 |     |     |     |     |     | bit 0 |     |

### Legend:

R = Readable bit

W = Writable bit

U = Unimplemented bit, read as '0'

-n = Value at POR

'1' = Bit is set

'0' = Bit is cleared

x = Bit is unknown

bit 15-11 **Unimplemented:** Read as '0'

bit 10-8 **PWM3MD:PWM1MD:** PWMx (x = 1-3) Module Disable bit

1 = PWMx module is disabled

0 = PWMx module is enabled

bit 7-0 **Unimplemented:** Read as '0'

# dsPIC33EVXXXGM00X/10X FAMILY

## REGISTER 10-6: PMD7: PERIPHERAL MODULE DISABLE CONTROL REGISTER 7

|        |     |     |     |     |     |     |       |
|--------|-----|-----|-----|-----|-----|-----|-------|
| U-0    | U-0 | U-0 | U-0 | U-0 | U-0 | U-0 | U-0   |
| —      | —   | —   | —   | —   | —   | —   | —     |
| bit 15 |     |     |     |     |     |     | bit 8 |

|       |     |     |                       |     |     |     |       |
|-------|-----|-----|-----------------------|-----|-----|-----|-------|
| U-0   | U-0 | U-0 | R/W-0                 | U-0 | U-0 | U-0 | U-0   |
| —     | —   | —   | DMA0MD <sup>(1)</sup> | —   | —   | —   | —     |
|       |     |     | DMA1MD <sup>(1)</sup> |     |     |     |       |
|       |     |     | DMA2MD <sup>(1)</sup> |     |     |     |       |
|       |     |     | DMA3MD <sup>(1)</sup> |     |     |     |       |
| bit 7 |     |     |                       |     |     |     | bit 0 |

### Legend:

R = Readable bit

W = Writable bit

U = Unimplemented bit, read as '0'

-n = Value at POR

'1' = Bit is set

'0' = Bit is cleared

x = Bit is unknown

bit 15-5 **Unimplemented:** Read as '0'

bit 4 **DMA0MD:** DMA0 Module Disable bit<sup>(1)</sup>

1 = DMA0 module is disabled

0 = DMA0 module is enabled

**DMA1MD:** DMA1 Module Disable bit<sup>(1)</sup>

1 = DMA1 module is disabled

0 = DMA1 module is enabled

**DMA2MD:** DMA2 Module Disable bit<sup>(1)</sup>

1 = DMA2 module is disabled

0 = DMA2 module is enabled

**DMA3MD:** DMA3 Module Disable bit<sup>(1)</sup>

1 = DMA3 module is disabled

0 = DMA3 module is enabled

bit 3-0 **Unimplemented:** Read as '0'

**Note 1:** This single bit enables and disables all four DMA channels.

# dsPIC33EVXXGM00X/10X FAMILY

## REGISTER 10-7: PMD8: PERIPHERAL MODULE DISABLE CONTROL REGISTER 8

|        |     |     |         |         |     |       |       |
|--------|-----|-----|---------|---------|-----|-------|-------|
| U-0    | U-0 | U-0 | R/W-0   | R/W-0   | U-0 | U-0   | R/W-0 |
| —      | —   | —   | SENT2MD | SENT1MD | —   | —     | DMTMD |
| bit 15 |     |     |         |         |     | bit 8 |       |

|       |     |     |     |     |     |       |     |
|-------|-----|-----|-----|-----|-----|-------|-----|
| U-0   | U-0 | U-0 | U-0 | U-0 | U-0 | U-0   | U-0 |
| —     | —   | —   | —   | —   | —   | —     | —   |
| bit 7 |     |     |     |     |     | bit 0 |     |

### Legend:

|                   |                  |                                    |
|-------------------|------------------|------------------------------------|
| R = Readable bit  | W = Writable bit | U = Unimplemented bit, read as '0' |
| -n = Value at POR | '1' = Bit is set | '0' = Bit is cleared               |
|                   |                  | x = Bit is unknown                 |

- bit 15-13    **Unimplemented:** Read as '0'
- bit 12      **SENT2MD:** SENT2 Module Disable bit  
                   1 = SENT2 module is disabled  
                   0 = SENT2 module is enabled
- bit 11      **SENT1MD:** SENT1 Module Disable bit  
                   1 = SENT1 module is disabled  
                   0 = SENT1 module is enabled
- bit 10-9    **Unimplemented:** Read as '0'
- bit 8        **DMTMD:** Deadman Timer Disable bit  
                   1 = Deadman Timer is disabled  
                   0 = Deadman Timer is enabled
- bit 7-0     **Unimplemented:** Read as '0'

# dsPIC33EVXXGM00X/10X FAMILY

---

---

NOTES:

## 11.0 I/O PORTS

**Note 1:** This data sheet summarizes the features of the dsPIC33EVXXGM00X/10X family of devices. It is not intended to be a comprehensive reference source. To complement the information in this data sheet, refer to “I/O Ports” (DS70000598) in the “dsPIC33/PIC24 Family Reference Manual”, which is available from the Microchip web site ([www.microchip.com](http://www.microchip.com)).

**2:** Some registers and associated bits described in this section may not be available on all devices. Refer to **Section 4.0 “Memory Organization”** in this data sheet for device-specific register and bit information.

Many of the device pins are shared among the peripherals and the Parallel I/O ports. All I/O input ports feature Schmitt Trigger inputs for improved noise immunity. All the pins in the device are 5V tolerant pins.

### 11.1 Parallel I/O (PIO) Ports

Generally, a Parallel I/O port that shares a pin with a peripheral is subservient to the peripheral. The peripheral’s output buffer data and control signals are provided to a pair of multiplexers. The multiplexers select whether the peripheral or the associated port has ownership of the output data and control signals of

the I/O pin. The logic also prevents “loop through”, in which a port’s digital output can drive the input of a peripheral that shares the same pin. **Figure 11-1** illustrates how ports are shared with other peripherals and the associated I/O pin to which they are connected.

When a peripheral is enabled and the peripheral is actively driving an associated pin, the use of the pin as a general purpose output pin is disabled. The I/O pin can be read, but the output driver for the parallel port bit is disabled. If a peripheral is enabled, but the peripheral is not actively driving a pin, that pin can be driven by a port.

All port pins have eight registers directly associated with their operation as digital I/O. The Data Direction register (TRISx) determines whether the pin is an input or an output. If the Data Direction register bit is a ‘1’, then the pin is an input. All port pins are defined as inputs after a Reset. Reads from the latch (LATx), read the latch; writes to the latch, write the latch. Reads from the port (PORTx), read the port pins, while writes to the port pins, write the latch.

Any bit and its associated data and control registers that are not valid for a particular device are disabled. This means that the corresponding LATx and TRISx registers, and the port pin are read as zeros.

When a pin is shared with another peripheral or function that is defined as an input only, it is nevertheless regarded as a dedicated port, because there is no other competing source of output.

**FIGURE 11-1: BLOCK DIAGRAM OF A TYPICAL SHARED PORT STRUCTURE**



# dsPIC33EVXXGM00X/10X FAMILY

## 11.1.1 OPEN-DRAIN CONFIGURATION

In addition to the PORTx, LATx and TRISx registers for data control, port pins can also be individually configured for either digital or open-drain outputs. This is controlled by the Open-Drain Control x register (ODCx) associated with each port. Setting any of the bits configures the corresponding pin to act as an open-drain output.

The open-drain feature allows the generation of outputs other than VDD by using external pull-up resistors. The maximum open-drain voltage allowed on any pin is the same as the maximum VIH specification for that particular pin.

See Table 30-10 in Section 30.0 “Electrical Characteristics” for the maximum VIH specification of each pin.

## 11.2 Configuring Analog and Digital Port Pins

The ANSELx registers control the operation of the analog port pins. The port pins that are to function as analog inputs or outputs must have their corresponding ANSELx and TRISx bits set. In order to use port pins for I/O functionality with digital modules, such as timers, UARTs, etc., the corresponding ANSELx bits must be cleared.

The ANSELx register has a default value of 0xFFFF. Therefore, all pins that share analog functions are analog (not digital) by default.

Pins with analog functions affected by the ANSELx registers are listed with a buffer type of analog in the Pinout I/O Descriptions table (see Table 1-1 in Section 1.0 “Device Overview”).

If the TRISx bit is cleared (output) while the ANSELx bit is set, the digital output level (VOH or VOL) is converted by an analog peripheral, such as the ADC module or comparator module.

When the PORTx register is read, all pins configured as analog input channels are read as cleared (a low level).

Pins configured as digital inputs do not convert an analog input. Analog levels on any pin defined as a digital input (including the ANx pins) can cause the input buffer to consume current that exceeds the device specifications.

## 11.2.1 I/O PORT WRITE/READ TIMING

One instruction cycle is required between a port direction change or port write operation and a read operation of the same port. Typically, this instruction would be a NOP, as shown in Example 11-1.

## 11.3 Input Change Notification (ICN)

The Input Change Notification function (ICN) of the I/O ports allows devices to generate interrupt requests to the processor in response to a Change-of-State (COS) on selected input pins. This feature can detect input Change-of-States, even in Sleep mode, when the clocks are disabled. Every I/O port pin can be selected (enabled) for generating an interrupt request on a Change-of-State.

Three control registers are associated with the ICN functionality of each I/O port. The CNENx registers contain the ICN interrupt enable control bits for each of the input pins. Setting any of these bits enables an ICN interrupt for the corresponding pins.

Each I/O pin also has a weak pull-up and a weak pull-down connected to it. The pull-ups and pull-downs act as a current source or sink source connected to the pin, and eliminate the need for external resistors when push button or keypad devices are connected. The pull-ups and pull-downs are enabled separately using the CNPUx and the CNPDx registers, which contain the control bits for each of the pins. Setting any of the control bits enables the weak pull-ups and/or pull-downs for the corresponding pins.

**Note:** The pull-ups and pull-downs on ICN pins should always be disabled when the port pin is configured as a digital output.

### EXAMPLE 11-1: PORT WRITE/READ EXAMPLE

```
MOV    0xFF00, W0    ; Configure PORTB<15:8>
                        ; as inputs
MOV    W0, TRISB     ; and PORTB<7:0>
                        ; as outputs
NOP                                ; Delay 1 cycle
BTSS   PORTB, #13    ; Next Instruction
```



## 11.4 Slew Rate Selection

The slew rate selection feature allows the device to have control over the slew rate selection on the required I/O pin which supports this feature. For this purpose, for each I/O port, there are two registers: SR1x and SR0x, which configure the selection of the slew rate. The register outputs are directly connected to the associated I/O pins, which support the slew rate selection function. The SR1x register specifies the MSb and the SR0x register provides the LSb of the 2-bit field that selects the desired slew rate. For example, slew rate selections for PORTA are as follows:

### EXAMPLE 11-2: SLEW RATE SELECTIONS FOR PORTA

|  |
|--|
| SR1Ax, SR0Ax = 00 = Fastest Slew rate    |
| SR1Ax, SR0Ax = 01 = 4x slower Slew rate  |
| SR1Ax, SR0Ax = 10 = 8x slower Slew rate  |
| SR1Ax, SR0Ax = 11 = 16x slower Slew rate |

## 11.5 Peripheral Pin Select (PPS)

A major challenge in general purpose devices is providing the largest possible set of peripheral features while minimizing the conflict of features on I/O pins. The challenge is even greater on low pin count devices. In an application where more than one peripheral needs to be assigned to a single pin, inconvenient workarounds in application code, or a complete redesign, may be the only option.

The Peripheral Pin Select (PPS) configuration provides an alternative to these choices by enabling peripheral set selection and their placement on a wide range of I/O pins. By increasing the pinout options available on a particular device, users can better tailor the device to their entire application, rather than trimming the application to fit the device.

The PPS configuration feature operates over a fixed subset of digital I/O pins. Users may independently map the input and/or output of most digital peripherals to any one of these I/O pins. Hardware safeguards are included that prevent accidental or spurious changes to the peripheral mapping after it has been established.

### 11.5.1 AVAILABLE PINS

The number of available pins is dependent on the particular device and its pin count. Pins that support the PPS feature include the designation, “RPn” or “RPI<sub>n</sub>”, in their full pin designation, where “n” is the remappable pin number. “RP” is used to designate pins that support both remappable input and output functions, while “RPI” indicates pins that support remappable input functions only.

### 11.5.2 AVAILABLE PERIPHERALS

The peripherals managed by the PPS are all digital only peripherals. These include general serial communications (UART and SPI), general purpose timer clock inputs, timer related peripherals (input capture and output compare) and Interrupt-on-Change (IOC) inputs.

In comparison, some digital only peripheral modules are never included in the PPS feature, because the peripheral's function requires special I/O circuitry on a specific port and cannot be easily connected to multiple pins. These modules include I<sup>2</sup>C and the PWM. A similar requirement excludes all modules with analog inputs, such as the ADC Converter.

A key difference between the remappable and non-remappable peripherals is that the remappable peripherals are not associated with a default I/O pin. The peripheral must always be assigned to a specific I/O pin before it can be used. In contrast, the non-remappable peripherals are always available on a default pin, assuming that the peripheral is active and not conflicting with another peripheral.

When a remappable peripheral is active on a given I/O pin, it takes priority over all the other digital I/O and digital communication peripherals associated with the pin. Priority is given regardless of the type of peripheral that is mapped. Remappable peripherals never take priority over any analog functions associated with the pin.

### 11.5.3 CONTROLLING PERIPHERAL PIN SELECT

The PPS features are controlled through two sets of SFRs: one to map the peripheral inputs and the other to map the outputs. Because they are separately controlled, a particular peripheral's input and output (if the peripheral has both) can be placed on any selectable function pin without constraint.

The association of a peripheral to a peripheral-selectable pin is handled in two different ways, depending on whether an input or output is being mapped.

### 11.5.4 INPUT MAPPING

The inputs of the PPS options are mapped on the basis of the peripheral. That is, a control register associated with a peripheral dictates the pin it will be mapped to. The RPI<sub>n</sub>Rx registers are used to configure peripheral input mapping (see [Table 11-1](#) and [Register 11-1](#) through [Register 11-17](#)). Each register contains sets of 8-bit fields, with each set associated with one of the remappable peripherals. Programming a given peripheral's bit field with an appropriate 8-bit value maps the RPn pin with the corresponding value to that peripheral. For any given device, the valid range of values for any bit field corresponds to the maximum number of Peripheral Pin Selects supported by the device.

# dsPIC33EVXXXGM00X/10X FAMILY

For example, [Figure 11-2](#) shows the remappable pin selection for the U1RX input.

**FIGURE 11-2: REMAPPABLE INPUT FOR U1RX**



## 11.5.4.1 Virtual Connections

dsPIC33EVXXXGM00X/10X family devices support virtual (internal) connections to the output of the op amp/comparator module (see [Figure 25-1](#) in [Section 25.0 “Op Amp/Comparator Module”](#)).

These devices provide six virtual output pins (RPV0-RPV5) that correspond to the outputs of six peripheral pin output remapper blocks (RP176-RP181). The six virtual remapper outputs (RP176-RP181) are not connected to actual pins. The six virtual pins may be read by any of the input remappers as inputs, RPI176-RPI181. These virtual pins can be used to connect the internal peripherals, whose signals are of significant use to the other peripherals, but these output signals are not present on the device pin.

Virtual connections provide a simple way of inter-peripheral connection without utilizing a physical pin. For example, by setting the FLT1R<7:0> bits of the RPINR12 register to the value of 'b0000001', the output of the analog comparator, C1OUT, will be connected to the PWM Fault 1 input, which allows the analog comparator to trigger PWM Faults without the use of an actual physical pin on the device.

# dsPIC33EVXXGM00X/10X FAMILY

**TABLE 11-1: SELECTABLE INPUT SOURCES (MAPS INPUT TO FUNCTION)**

| Input Name <sup>(1)</sup>    | Function Name    | Register | Configuration Bits |
|------------------------------|------------------|----------|--------------------|
| External Interrupt 1         | INT1             | RPINR0   | INT1R<7:0>         |
| External Interrupt 2         | INT2             | RPINR1   | INT2R<7:0>         |
| Timer2 External Clock        | T2CK             | RPINR3   | T2CKR<7:0>         |
| Input Capture 1              | IC1              | RPINR7   | IC1R<7:0>          |
| Input Capture 2              | IC2              | RPINR7   | IC2R<7:0>          |
| Input Capture 3              | IC3              | RPINR8   | IC3R<7:0>          |
| Input Capture 4              | IC4              | RPINR8   | IC4R<7:0>          |
| Output Compare Fault A       | OCFA             | RPINR11  | OCFAR<7:0>         |
| PWM Fault 1                  | FLT1             | RPINR12  | FLT1R<7:0>         |
| PWM Fault 2                  | FLT2             | RPINR12  | FLT2R<7:0>         |
| UART1 Receive                | U1RX             | RPINR18  | U1RXR<7:0>         |
| UART2 Receive                | U2RX             | RPINR19  | U2RXR<7:0>         |
| SPI2 Data Input              | SDI2             | RPINR22  | SDI2R<7:0>         |
| SPI2 Clock Input             | SCK2             | RPINR22  | SCK2R<7:0>         |
| SPI2 Slave Select            | $\overline{SS2}$ | RPINR23  | SS2R<7:0>          |
| CAN1 Receive                 | C1RX             | RPINR26  | C1RXR<7:0>         |
| PWM Sync Input 1             | SYNCI1           | RPINR37  | SYNCI1R<7:0>       |
| PWM Dead-Time Compensation 1 | DTCMP1           | RPINR38  | DTCMP1R<7:0>       |
| PWM Dead-Time Compensation 2 | DTCMP2           | RPINR39  | DTCMP2R<7:0>       |
| PWM Dead-Time Compensation 3 | DTCMP3           | RPINR39  | DTCMP3R<7:0>       |
| SENT1 Input                  | SENT1R           | RPINR44  | SENT1R<7:0>        |
| SENT2 Input                  | SENT2R           | RPINR45  | SENT2R<7:0>        |

**Note 1:** Unless otherwise noted, all inputs use the Schmitt Trigger input buffers.

# dsPIC33EVXXGM00X/10X FAMILY

TABLE 11-2: INPUT PIN SELECTION FOR SELECTABLE INPUT SOURCES

| Peripheral Pin Select Input Register Value | Input/Output | Pin Assignment      | Peripheral Pin Select Input Register Value | Input/Output | Pin Assignment |
|--|--------------|---------------------|--|--------------|----------------|
| 000 0000                                   | I            | Vss                 | 011 0010                                   | I            | RPI50          |
| 000 0001                                   | I            | CMP1 <sup>(1)</sup> | 011 0011                                   | I            | RPI51          |
| 000 0010                                   | I            | CMP2 <sup>(1)</sup> | 011 0100                                   | I            | RPI52          |
| 000 0011                                   | I            | CMP3 <sup>(1)</sup> | 011 0101                                   | I            | RPI53          |
| 000 0100                                   | I            | CMP4 <sup>(1)</sup> | 011 0110                                   | I/O          | RP54           |
| 000 0101                                   | —            | —                   | 011 0111                                   | I/O          | RP55           |
| 000 1100                                   | I            | CMP5 <sup>(1)</sup> | 011 1000                                   | I/O          | RP56           |
| 000 1101                                   | —            | —                   | 011 1001                                   | I/O          | RP57           |
| 000 1110                                   | —            | —                   | 011 1010                                   | I            | RPI58          |
| 000 1111                                   | —            | —                   | 011 1011                                   | —            | —              |
| 001 0000                                   | I            | RPI16               | 011 1100                                   | I            | RPI60          |
| 001 0001                                   | I            | RPI17               | 011 1101                                   | I            | RPI61          |
| 001 0010                                   | I            | RPI18               | 011 1110                                   | —            | —              |
| 001 0011                                   | I            | RPI19               | 011 1111                                   | I            | RPI 63         |
| 001 0100                                   | I/O          | RP20                | 100 0000                                   | —            | —              |
| 001 0101                                   | —            | —                   | 100 0001                                   | —            | —              |
| 001 0110                                   | —            | —                   | 100 0010                                   | —            | —              |
| 001 0111                                   | —            | —                   | 100 0011                                   | —            | —              |
| 001 1000                                   | I            | RPI24               | 100 0100                                   | —            | —              |
| 001 1001                                   | I            | RPI25               | 100 0101                                   | I/O          | RP69           |
| 001 1010                                   | —            | —                   | 100 0110                                   | I/O          | RP70           |
| 001 1011                                   | I            | RPI27               | 100 0111                                   | —            | —              |
| 001 1100                                   | I            | RPI28               | 100 1000                                   | I            | RPI72          |
| 001 1101                                   | —            | —                   | 100 1001                                   | —            | —              |
| 001 1110                                   | —            | —                   | 100 1010                                   | —            | —              |
| 001 1111                                   | —            | —                   | 100 1011                                   | —            | —              |
| 010 0000                                   | I            | RPI32               | 100 1110                                   | —            | —              |
| 010 0001                                   | I            | RPI33               | 100 1111                                   | —            | —              |
| 010 0010                                   | I            | RPI34               | 101 0010                                   | —            | —              |
| 010 0011                                   | I/O          | RP35                | 101 0011                                   | —            | —              |
| 010 0100                                   | I/O          | RP36                | 101 0100                                   | —            | —              |
| 010 0101                                   | I/O          | RP37                | 010 1001                                   | I/O          | RP41           |
| 010 0110                                   | I/O          | RP38                | 010 1010                                   | I/O          | RP42           |
| 010 0111                                   | I/O          | RP39                | 010 1011                                   | I/O          | RP43           |
| 010 1000                                   | I/O          | RP40                | 101 1000                                   | —            | —              |
| 010 1100                                   | I            | RPI44               | 101 1001                                   | —            | —              |
| 010 1101                                   | I            | RPI45               | 101 1010                                   | —            | —              |
| 010 1110                                   | I            | RPI46               | 101 1011                                   | —            | —              |
| 010 1111                                   | I            | RPI47               | 101 1100                                   | —            | —              |
| 011 0000                                   | I/O          | RP48                | 101 1101                                   | —            | —              |

**Legend:** Shaded rows indicate the PPS Input register values that are unimplemented.

**Note 1:** These are virtual pins. See [Section 11.5.4.1 “Virtual Connections”](#) for more information on selecting this pin assignment.

# dsPIC33EVXXGM00X/10X FAMILY

**TABLE 11-2: INPUT PIN SELECTION FOR SELECTABLE INPUT SOURCES (CONTINUED)**

| Peripheral Pin Select Input Register Value | Input/Output | Pin Assignment | Peripheral Pin Select Input Register Value | Input/Output | Pin Assignment       |
|--|--------------|----------------|--|--------------|----------------------|
| 011 0001                                   | I/O          | RP49           | 101 1110                                   | I            | RPI94                |
| 110 0000                                   | I            | RPI96          | 101 1111                                   | I            | RPI95                |
| 110 0001                                   | I/O          | RP97           | 111 0011                                   | —            | —                    |
| 110 0010                                   | —            | —              | 111 0100                                   | —            | —                    |
| 110 0011                                   | —            | —              | 111 0101                                   | —            | —                    |
| 110 0100                                   | —            | —              | 111 0110                                   | I/O          | RP118                |
| 110 0101                                   | —            | —              | 111 0111                                   | I            | RPI119               |
| 110 0110                                   | —            | —              | 111 1000                                   | I/O          | RP120                |
| 110 0111                                   | —            | —              | 111 1001                                   | I            | RPI121               |
| 110 1000                                   | —            | —              | 111 1010                                   | —            | —                    |
| 110 1001                                   | —            | —              | 111 1011                                   | —            | —                    |
| 110 1010                                   | —            | —              | 111 1100                                   | I            | RPI124               |
| 110 1011                                   | —            | —              | 111 1101                                   | I/O          | RP125                |
| 101 0101                                   | —            | —              | 111 1110                                   | I/O          | RP126                |
| 101 0110                                   | —            | —              | 111 1111                                   | I/O          | RP127                |
| 101 0111                                   | —            | —              | 10110000                                   | I/O          | RP176 <sup>(1)</sup> |
| 110 1100                                   | —            | —              | 10110001                                   | I/O          | RP177 <sup>(1)</sup> |
| 110 1101                                   | —            | —              | 10110010                                   | I/O          | RP178 <sup>(1)</sup> |
| 110 1110                                   | —            | —              | 10110011                                   | I/O          | RP179 <sup>(1)</sup> |
| 110 1111                                   | —            | —              | 10110100                                   | I/O          | RP180 <sup>(1)</sup> |
| 111 0010                                   | —            | —              | 10110101                                   | I/O          | RP181 <sup>(1)</sup> |

**Legend:** Shaded rows indicate the PPS Input register values that are unimplemented.

**Note 1:** These are virtual pins. See [Section 11.5.4.1 “Virtual Connections”](#) for more information on selecting this pin assignment.

## 11.5.5 OUTPUT MAPPING

In contrast to inputs, the outputs of the PPS options are mapped on the basis of the pin. In this case, a control register associated with a particular pin dictates the peripheral output to be mapped. The RPORx registers are used to control output mapping. Like the RPINRx registers, each register contains sets of 6-bit fields, with each set associated with one RPn pin (see [Register 11-18](#) to [Register 11-31](#)). The value of the bit field corresponds to one of the peripherals and that peripheral's output is mapped to the pin (see [Table 11-3](#) and [Figure 11-3](#)).

A null output is associated with the Output register Reset value of '0'. This is done to ensure that remappable outputs remain disconnected from all output pins by default.

**FIGURE 11-3: MULTIPLEXING REMAPPABLE OUTPUT FOR RPn**



# dsPIC33EVXXGM00X/10X FAMILY

## 11.5.5.1 Mapping Limitations

The control schema of the peripheral select pins is not limited to a small range of fixed peripheral configurations. There are no mutual or hardware-enforced lockouts between any of the peripheral mapping SFRs. Literally any combination of peripheral mappings

across any or all of the RPn pins is possible. This includes both many-to-one, and one-to-many mappings of peripheral inputs and outputs to pins. While such mappings may be technically possible from a configuration point of view, they may not be supportable from an electrical point of view.

**TABLE 11-3: OUTPUT SELECTION FOR REMAPPABLE PINS (RPn)**

| Function         | RPnR<5:0> | Output Name                                   |
|------------------|-----------|---|
| Default Port     | 000000    | RPn tied to Default Pin                       |
| U1TX             | 000001    | RPn tied to UART1 Transmit                    |
| U2TX             | 000011    | RPn tied to UART2 Transmit                    |
| SDO2             | 001000    | RPn tied to SPI2 Data Output                  |
| SCK2             | 001001    | RPn tied to SPI2 Clock Output                 |
| $\overline{SS2}$ | 001010    | RPn tied to SPI2 Slave Select                 |
| C1TX             | 001110    | RPn tied to CAN1 Transmit                     |
| OC1              | 010000    | RPn tied to Output Compare 1 Output           |
| OC2              | 010001    | RPn tied to Output Compare 2 Output           |
| OC3              | 010010    | RPn tied to Output Compare 3 Output           |
| OC4              | 010011    | RPn tied to Output Compare 4 Output           |
| C1OUT            | 011000    | RPn tied to Comparator Output 1               |
| C2OUT            | 011001    | RPn tied to Comparator Output 2               |
| C3OUT            | 011010    | RPn tied to Comparator Output 3               |
| SYNCO1           | 101101    | RPn tied to PWM Primary Time Base Sync Output |
| REFCLKO          | 110001    | RPn tied to Reference Clock Output            |
| C4OUT            | 110010    | RPn tied to Comparator Output 4               |
| C5OUT            | 110011    | RPn tied to Comparator Output 5               |
| SENT1            | 111001    | RPn tied to SENT Out 1                        |
| SENT2            | 111010    | RPn tied to SENT Out 2                        |

## 11.6 High-Voltage Detect (HVD)

dsPIC33EVXXGM00X/10X devices contain High-Voltage Detection (HVD) which monitors the VCAP voltage. The HVD is used to monitor the VCAP supply voltage to ensure that an external connection does not raise the value above a safe level (~2.4V). If high core voltage is detected, all I/Os are disabled and put in a tri-state condition. The device remains in this I/O tri-state condition as long as the high-voltage condition is present.

## 11.7 I/O Helpful Tips

1. In some cases, certain pins, as defined in [Table 30-10](#) under “Injection Current”, have internal protection diodes to VDD and VSS. The term, “Injection Current”, is also referred to as “Clamp Current”. On designated pins with sufficient external current-limiting precautions by the user, I/O pin input voltages are allowed to be greater or less than the data sheet absolute maximum ratings, with respect to the VSS and VDD supplies. Note that when the user application forward biases either of the high or low side internal input clamp diodes that the resulting current being injected into the device, that is clamped internally by the VDD and VSS power rails, may affect the ADC accuracy by four to six counts.
2. I/O pins that are shared with any analog input pin (i.e., ANx) are always analog pins by default after any Reset. Consequently, configuring a pin as an analog input pin automatically disables the digital input pin buffer and any attempt to read the digital input level by reading PORTx or LATx will always return a ‘0’, regardless of the digital logic level on the pin. To use a pin as a digital I/O pin on a shared ANx pin, the user application needs to configure the Analog Pin Configuration registers in the I/O ports module (i.e., ANSELx) by setting the appropriate bit that corresponds to that I/O port pin to a ‘0’.

**Note:** Although it is not possible to use a digital input pin when its analog function is enabled, it is possible to use the digital I/O output function, TRISx = 0x0, while the analog function is also enabled. However, this is not recommended, particularly if the analog input is connected to an external analog voltage source, which would create signal contention between the analog signal and the output pin driver.

3. Most I/O pins have multiple functions. Referring to the device pin diagrams in this data sheet, the priorities of the functions allocated to any pins are indicated by reading the pin name, from left-to-right. The left most function name takes precedence over any function to its right in the naming convention; for example, AN16/T2CK/T7CK/RC1. This indicates that AN16 is the highest priority in this example and will supersede all other functions to its right in the list. Those other functions to its right, even if enabled, would not work as long as any other function to its left was enabled. This rule applies to all of the functions listed for a given pin.
4. Each pin has an internal weak pull-up resistor and pull-down resistor that can be configured using the CNPUs and CNPDx registers, respectively. These resistors eliminate the need for external resistors in certain applications. The internal pull-up is up to  $\sim(V_{DD} - 0.8)$ , not VDD. This value is still above the minimum  $V_{IH}$  of CMOS and TTL devices.
5. When driving LEDs directly, the I/O pin can source or sink more current than what is specified in the  $V_{OH}/I_{OH}$  and  $V_{OL}/I_{OL}$  DC characteristic specifications. The respective  $I_{OH}$  and  $I_{OL}$  current rating only applies to maintaining the corresponding output at or above the  $V_{OH}$ , and at or below the  $V_{OL}$  levels. However, for LEDs, unlike digital inputs of an externally connected device, they are not governed by the same minimum  $V_{IH}/V_{IL}$  levels. An I/O pin output can safely sink or source any current less than that listed in the absolute maximum rating section of this data sheet. For example:

$$V_{OH} = 4.4V \text{ at } I_{OH} = -8 \text{ mA and } V_{DD} = 5V$$

The maximum output current sourced by any 8 mA I/O pin = 12 mA.

LED source current, <12 mA, is technically permitted. For more information, refer to the  $V_{OH}/I_{OH}$  specifications in [Section 30.0 “Electrical Characteristics”](#).

# dsPIC33EVXXGM00X/10X FAMILY

---

6. The PPS pin mapping rules are as follows:
- Only one “output” function can be active on a given pin at any time, regardless if it is a dedicated or remappable function (one pin, one output).
  - It is possible to assign a “remappable output” function to multiple pins and externally short or tie them together for increased current drive.
  - If any “dedicated output” function is enabled on a pin, it will take precedence over any remappable “output” function.
  - If any “dedicated digital” (input or output) function is enabled on a pin, any number of “input” remappable functions can be mapped to the same pin.
  - If any “dedicated analog” function(s) are enabled on a given pin, “digital input(s)” of any kind will all be disabled, although a single “digital output”, at the user’s cautionary discretion, can be enabled and active as long as there is no signal contention with an external analog input signal. For example, it is possible for the ADC to convert the digital output logic level, or to toggle a digital output on a comparator or ADC input provided there is no external analog input, such as for a built-in self-test.
  - Any number of “input” remappable functions can be mapped to the same pin(s) at the same time, including to any pin with a single output from either a dedicated or remappable “output”.
  - The TRISx registers control only the digital I/O output buffer. Any other dedicated or remappable active “output” will automatically override the TRISx setting. The TRISx register does not control the digital logic “input” buffer. Remappable digital “inputs” do not automatically override TRISx settings, which means that the TRISx bit must be set to input for pins with only remappable input function(s) assigned
  - All analog pins are enabled by default after any Reset and the corresponding digital input buffer on the pin is disabled. Only the Analog Pin Select registers control the digital input buffer, not the TRISx register. The user must disable the analog function on a pin using the Analog Pin Select registers in order to use any “digital input(s)” on a corresponding pin; no exceptions.



# dsPIC33EVXXGM00X/10X FAMILY

## 11.8 Peripheral Pin Select Registers

**REGISTER 11-1: RPINR0: PERIPHERAL PIN SELECT INPUT REGISTER 0**

|            |       |       |       |       |       |       |       |
|------------|-------|-------|-------|-------|-------|-------|-------|
| R/W-0      | R/W-0 | R/W-0 | R/W-0 | R/W-0 | R/W-0 | R/W-0 | R/W-0 |
| INT1R<7:0> |       |       |       |       |       |       |       |
| bit 15     |       |       |       |       |       |       | bit 8 |
| U-0        | U-0   | U-0   | U-0   | U-0   | U-0   | U-0   | U-0   |
| —          | —     | —     | —     | —     | —     | —     | —     |
| bit 7      |       |       |       |       |       |       | bit 0 |

**Legend:**

R = Readable bit                      W = Writable bit                      U = Unimplemented bit, read as '0'  
 -n = Value at POR                      '1' = Bit is set                      '0' = Bit is cleared                      x = Bit is unknown

bit 15-8            **INT1R<7:0>**: Assign External Interrupt 1 (INT1) to the Corresponding RPn Pin bits  
 (see [Table 11-2](#) for input pin selection numbers)  
 10110101 = Input tied to RPI181  
 •  
 •  
 •  
 00000001 = Input tied to CMP1  
 00000000 = Input tied to VSS

bit 7-0            **Unimplemented**: Read as '0'

**REGISTER 11-2: RPINR1: PERIPHERAL PIN SELECT INPUT REGISTER 1**

|            |       |       |       |       |       |       |       |
|------------|-------|-------|-------|-------|-------|-------|-------|
| U-0        | U-0   | U-0   | U-0   | U-0   | U-0   | U-0   | U-0   |
| —          | —     | —     | —     | —     | —     | —     | —     |
| bit 15     |       |       |       |       |       |       | bit 8 |
| R/W-0      | R/W-0 | R/W-0 | R/W-0 | R/W-0 | R/W-0 | R/W-0 | R/W-0 |
| INT2R<7:0> |       |       |       |       |       |       |       |
| bit 7      |       |       |       |       |       |       | bit 0 |

**Legend:**

R = Readable bit                      W = Writable bit                      U = Unimplemented bit, read as '0'  
 -n = Value at POR                      '1' = Bit is set                      '0' = Bit is cleared                      x = Bit is unknown

bit 15-8            **Unimplemented**: Read as '0'

bit 7-0            **INT2R<7:0>**: Assign External Interrupt 2 (INT2) to the Corresponding RPn Pin bits  
 (see [Table 11-2](#) for input pin selection numbers)  
 10110101 = Input tied to RPI181  
 •  
 •  
 •  
 00000001 = Input tied to CMP1  
 00000000 = Input tied to VSS

# dsPIC33EVXXXGM00X/10X FAMILY

## REGISTER 11-3: RPINR3: PERIPHERAL PIN SELECT INPUT REGISTER 3

|        |     |     |     |     |     |     |       |
|--------|-----|-----|-----|-----|-----|-----|-------|
| U-0    | U-0 | U-0 | U-0 | U-0 | U-0 | U-0 | U-0   |
| —      | —   | —   | —   | —   | —   | —   | —     |
| bit 15 |     |     |     |     |     |     | bit 8 |

|            |       |       |       |       |       |       |       |
|------------|-------|-------|-------|-------|-------|-------|-------|
| R/W-0      | R/W-0 | R/W-0 | R/W-0 | R/W-0 | R/W-0 | R/W-0 | R/W-0 |
| T2CKR<7:0> |       |       |       |       |       |       |       |
| bit 7      |       |       |       |       |       |       | bit 0 |

**Legend:**

R = Readable bit                      W = Writable bit                      U = Unimplemented bit, read as '0'  
 -n = Value at POR                      '1' = Bit is set                      '0' = Bit is cleared                      x = Bit is unknown

bit 15-8                      **Unimplemented:** Read as '0'

bit 7-0                      **T2CKR<7:0>:** Assign Timer2 External Clock (T2CK) to the Corresponding RPn pin bits  
 (see [Table 11-2](#) for input pin selection numbers)

10110101 = Input tied to RPI181

- 
- 
- 

00000001 = Input tied to CMP1

00000000 = Input tied to Vss

# dsPIC33EVXXGM00X/10X FAMILY

## REGISTER 11-4: RPINR7: PERIPHERAL PIN SELECT INPUT REGISTER 7

|        |       |       |       |       |       |       |       |
|--------|-------|-------|-------|-------|-------|-------|-------|
| R/W-0  | R/W-0 | R/W-0 | R/W-0 | R/W-0 | R/W-0 | R/W-0 | R/W-0 |
| IC2R7  | IC2R6 | IC2R5 | IC2R4 | IC2R3 | IC2R2 | IC2R1 | IC2R0 |
| bit 15 |       |       |       |       |       |       | bit 8 |

|       |       |       |       |       |       |       |       |
|-------|-------|-------|-------|-------|-------|-------|-------|
| R/W-0 | R/W-0 | R/W-0 | R/W-0 | R/W-0 | R/W-0 | R/W-0 | R/W-0 |
| IC1R7 | IC1R6 | IC1R5 | IC1R4 | IC1R3 | IC1R2 | IC1R1 | IC1R0 |
| bit 7 |       |       |       |       |       |       | bit 0 |

### Legend:

|                   |                  |  |
|-------------------|------------------|--|
| R = Readable bit  | W = Writable bit | U = Unimplemented bit, read as '0'           |
| -n = Value at POR | '1' = Bit is set | '0' = Bit is cleared      x = Bit is unknown |

bit 15-8      **IC2R<7:0>**: Assign Input Capture 2 (IC2) to the Corresponding RPn Pin bits  
(see [Table 11-2](#) for input pin selection numbers)

10110101 = Input tied to RPI181

•  
•  
•

00000001 = Input tied to CMP1

00000000 = Input tied to Vss

bit 7-0      **IC1R<7:0>**: Assign Input Capture 1 (IC1) to the Corresponding RPn Pin bits  
(see [Table 11-2](#) for input pin selection numbers)

10110101 = Input tied to RPI181

•  
•  
•

00000001 = Input tied to CMP1

00000000 = Input tied to Vss

# dsPIC33EVXXGM00X/10X FAMILY

## REGISTER 11-5: RPINR8: PERIPHERAL PIN SELECT INPUT REGISTER 8

|        |       |       |       |       |       |       |       |
|--------|-------|-------|-------|-------|-------|-------|-------|
| R/W-0  | R/W-0 | R/W-0 | R/W-0 | R/W-0 | R/W-0 | R/W-0 | R/W-0 |
| IC4R7  | IC4R6 | IC4R5 | IC4R4 | IC4R3 | IC4R2 | IC4R1 | IC4R0 |
| bit 15 |       |       |       |       |       |       | bit 8 |

|       |       |       |       |       |       |       |       |
|-------|-------|-------|-------|-------|-------|-------|-------|
| R/W-0 | R/W-0 | R/W-0 | R/W-0 | R/W-0 | R/W-0 | R/W-0 | R/W-0 |
| IC3R7 | IC3R6 | IC3R5 | IC3R4 | IC3R3 | IC3R2 | IC3R1 | IC3R0 |
| bit 7 |       |       |       |       |       |       | bit 0 |

### Legend:

|                   |                  |  |
|-------------------|------------------|--|
| R = Readable bit  | W = Writable bit | U = Unimplemented bit, read as '0'           |
| -n = Value at POR | '1' = Bit is set | '0' = Bit is cleared      x = Bit is unknown |

bit 15-8      **IC4R<7:0>**: Assign Input Capture 4 (IC4) to the Corresponding RPn Pin bits  
(see [Table 11-2](#) for input pin selection numbers)

10110101 = Input tied to RPI181

•  
•  
•

00000001 = Input tied to CMP1

00000000 = Input tied to Vss

bit 7-0      **IC3R<7:0>**: Assign Input Capture 3 (IC3) to the Corresponding RPn Pin bits  
(see [Table 11-2](#) for input pin selection numbers)

10110101 = Input tied to RPI181

•  
•  
•

00000001 = Input tied to CMP1

00000000 = Input tied to Vss

# dsPIC33EVXXGM00X/10X FAMILY

## REGISTER 11-6: RPINR11: PERIPHERAL PIN SELECT INPUT REGISTER 11

|        |     |     |     |     |     |     |       |
|--------|-----|-----|-----|-----|-----|-----|-------|
| U-0    | U-0 | U-0 | U-0 | U-0 | U-0 | U-0 | U-0   |
| —      | —   | —   | —   | —   | —   | —   | —     |
| bit 15 |     |     |     |     |     |     | bit 8 |

|            |       |       |       |       |       |       |       |
|------------|-------|-------|-------|-------|-------|-------|-------|
| R/W-0      | R/W-0 | R/W-0 | R/W-0 | R/W-0 | R/W-0 | R/W-0 | R/W-0 |
| OCFAR<7:0> |       |       |       |       |       |       |       |
| bit 7      |       |       |       |       |       |       | bit 0 |

### Legend:

|                   |                  |                                    |
|-------------------|------------------|------------------------------------|
| R = Readable bit  | W = Writable bit | U = Unimplemented bit, read as '0' |
| -n = Value at POR | '1' = Bit is set | '0' = Bit is cleared               |
|                   |                  | x = Bit is unknown                 |

bit 15-8      **Unimplemented:** Read as '0'

bit 7-0      **OCFAR<7:0>:** Assign Output Compare Fault A (OCFA) to the Corresponding RPn Pin bits  
(see [Table 11-2](#) for input pin selection numbers)

10110101 = Input tied to RPI181

•

•

•

00000001 = Input tied to CMP1

00000000 = Input tied to Vss

# dsPIC33EVXXGM00X/10X FAMILY

## REGISTER 11-7: RPINR12: PERIPHERAL PIN SELECT INPUT REGISTER 12

|        |        |        |        |        |        |        |        |
|--------|--------|--------|--------|--------|--------|--------|--------|
| R/W-0  | R/W-0  | R/W-0  | R/W-0  | R/W-0  | R/W-0  | R/W-0  | R/W-0  |
| FLT2R7 | FLT2R6 | FLT2R5 | FLT2R4 | FLT2R3 | FLT2R2 | FLT2R1 | FLT2R0 |
| bit 15 |        |        |        |        |        |        | bit 8  |

|        |        |        |        |        |        |        |        |
|--------|--------|--------|--------|--------|--------|--------|--------|
| R/W-0  | R/W-0  | R/W-0  | R/W-0  | R/W-0  | R/W-0  | R/W-0  | R/W-0  |
| FLT1R7 | FLT1R6 | FLT1R5 | FLT1R4 | FLT1R3 | FLT1R2 | FLT1R1 | FLT1R0 |
| bit 7  |        |        |        |        |        |        | bit 0  |

### Legend:

|                   |                  |                                    |
|-------------------|------------------|------------------------------------|
| R = Readable bit  | W = Writable bit | U = Unimplemented bit, read as '0' |
| -n = Value at POR | '1' = Bit is set | '0' = Bit is cleared               |
|                   |                  | x = Bit is unknown                 |

bit 15-8     **FLT2R<7:0>**: Assign PWM Fault 2 (FLT2) to the Corresponding RPn Pin bits  
(see [Table 11-2](#) for input pin selection numbers)

10110101 = Input tied to RPI181

•

•

•

00000001 = Input tied to CMP1

00000000 = Input tied to Vss

bit 7-0     **FLT1R<7:0>**: Assign PWM Fault 1 (FLT1) to the Corresponding RPn Pin bits  
(see [Table 11-2](#) for input pin selection numbers)

10110101 = Input tied to RPI181

•

•

•

00000001 = Input tied to CMP1

00000000 = Input tied to Vss

# dsPIC33EVXXGM00X/10X FAMILY

## REGISTER 11-8: RPINR18: PERIPHERAL PIN SELECT INPUT REGISTER 18

|        |     |     |     |     |     |     |       |
|--------|-----|-----|-----|-----|-----|-----|-------|
| U-0    | U-0 | U-0 | U-0 | U-0 | U-0 | U-0 | U-0   |
| —      | —   | —   | —   | —   | —   | —   | —     |
| bit 15 |     |     |     |     |     |     | bit 8 |

|            |       |       |       |       |       |       |       |
|------------|-------|-------|-------|-------|-------|-------|-------|
| R/W-0      | R/W-0 | R/W-0 | R/W-0 | R/W-0 | R/W-0 | R/W-0 | R/W-0 |
| U1RXR<7:0> |       |       |       |       |       |       |       |
| bit 7      |       |       |       |       |       |       | bit 0 |

### Legend:

R = Readable bit                      W = Writable bit                      U = Unimplemented bit, read as '0'  
 -n = Value at POR                      '1' = Bit is set                      '0' = Bit is cleared                      x = Bit is unknown

bit 15-8                      **Unimplemented:** Read as '0'

bit 7-0                      **U1RXR<7:0>:** Assign UART1 Receive (U1RX) to the Corresponding RPn Pin bits  
 (see [Table 11-2](#) for input pin selection numbers)

10110101 = Input tied to RPI181

•

•

•

00000001 = Input tied to CMP1

00000000 = Input tied to Vss

## REGISTER 11-9: RPINR19: PERIPHERAL PIN SELECT INPUT REGISTER 19

|        |     |     |     |     |     |     |       |
|--------|-----|-----|-----|-----|-----|-----|-------|
| U-0    | U-0 | U-0 | U-0 | U-0 | U-0 | U-0 | U-0   |
| —      | —   | —   | —   | —   | —   | —   | —     |
| bit 15 |     |     |     |     |     |     | bit 8 |

|            |       |       |       |       |       |       |       |
|------------|-------|-------|-------|-------|-------|-------|-------|
| R/W-0      | R/W-0 | R/W-0 | R/W-0 | R/W-0 | R/W-0 | R/W-0 | R/W-0 |
| U2RXR<7:0> |       |       |       |       |       |       |       |
| bit 7      |       |       |       |       |       |       | bit 0 |

### Legend:

R = Readable bit                      W = Writable bit                      U = Unimplemented bit, read as '0'  
 -n = Value at POR                      '1' = Bit is set                      '0' = Bit is cleared                      x = Bit is unknown

bit 15-8                      **Unimplemented:** Read as '0'

bit 7-0                      **U2RXR<7:0>:** Assign UART2 Receive (U2RX) to the Corresponding RPn Pin bits  
 (see [Table 11-2](#) for input pin selection numbers)

10110101 = Input tied to RPI181

•

•

•

00000001 = Input tied to CMP1

00000000 = Input tied to Vss

# dsPIC33EVXXGM00X/10X FAMILY

## REGISTER 11-10: RPINR22: PERIPHERAL PIN SELECT INPUT REGISTER 22

|        |        |        |        |        |        |        |        |
|--------|--------|--------|--------|--------|--------|--------|--------|
| R/W-0  | R/W-0  | R/W-0  | R/W-0  | R/W-0  | R/W-0  | R/W-0  | R/W-0  |
| SCK2R7 | SCK2R6 | SCK2R5 | SCK2R4 | SCK2R3 | SCK2R2 | SCK2R1 | SCK2R0 |
| bit 15 |        |        |        |        |        |        | bit 8  |

|       |        |        |        |        |        |        |        |
|-------|--------|--------|--------|--------|--------|--------|--------|
| R/W-0 | R/W-0  | R/W-0  | R/W-0  | R/W-0  | R/W-0  | R/W-0  | R/W-0  |
| SDI2R | SDI2R6 | SDI2R5 | SDI2R4 | SDI2R3 | SDI2R2 | SDI2R1 | SDI2R0 |
| bit 7 |        |        |        |        |        |        | bit 0  |

### Legend:

|                   |                  |  |
|-------------------|------------------|--|
| R = Readable bit  | W = Writable bit | U = Unimplemented bit, read as '0'           |
| -n = Value at POR | '1' = Bit is set | '0' = Bit is cleared      x = Bit is unknown |

bit 15-8      **SCK2R<7:0>**: Assign SPI2 Clock Input (SCK2) to the Corresponding RPn Pin bits  
(see [Table 11-2](#) for input pin selection numbers)

10110101 = Input tied to RPI181

•  
•  
•

00000001 = Input tied to CMP1

00000000 = Input tied to Vss

bit 7-0      **SDI2R<7:0>**: Assign SPI2 Data Input (SDI2) to the Corresponding RPn Pin bits  
(see [Table 11-2](#) for input pin selection numbers)

10110101 = Input tied to RPI181

•  
•  
•

00000001 = Input tied to CMP1

00000000 = Input tied to Vss



# dsPIC33EVXXGM00X/10X FAMILY

## REGISTER 11-11: RPINR23: PERIPHERAL PIN SELECT INPUT REGISTER 23

|        |     |     |     |     |     |     |       |
|--------|-----|-----|-----|-----|-----|-----|-------|
| U-0    | U-0 | U-0 | U-0 | U-0 | U-0 | U-0 | U-0   |
| —      | —   | —   | —   | —   | —   | —   | —     |
| bit 15 |     |     |     |     |     |     | bit 8 |

|           |       |       |       |       |       |       |       |
|-----------|-------|-------|-------|-------|-------|-------|-------|
| R/W-0     | R/W-0 | R/W-0 | R/W-0 | R/W-0 | R/W-0 | R/W-0 | R/W-0 |
| SS2R<7:0> |       |       |       |       |       |       |       |
| bit 7     |       |       |       |       |       |       | bit 0 |

**Legend:**  
R = Readable bit                      W = Writable bit                      U = Unimplemented bit, read as '0'  
-n = Value at POR                      '1' = Bit is set                      '0' = Bit is cleared                      x = Bit is unknown

bit 15-8                      **Unimplemented:** Read as '0'  
bit 7-0                      **SS2R<7:0>:** Assign SPI2 Slave Select ( $\overline{SS2}$ ) to the Corresponding RPn Pin bits  
(see [Table 11-2](#) for input pin selection numbers)  
10110101 = Input tied to RPI181  
•  
•  
•  
00000001 = Input tied to CMP1  
00000000 = Input tied to Vss

## REGISTER 11-12: RPINR26: PERIPHERAL PIN SELECT INPUT REGISTER 26

|        |     |     |     |     |     |     |       |
|--------|-----|-----|-----|-----|-----|-----|-------|
| U-0    | U-0 | U-0 | U-0 | U-0 | U-0 | U-0 | U-0   |
| —      | —   | —   | —   | —   | —   | —   | —     |
| bit 15 |     |     |     |     |     |     | bit 8 |

|            |       |       |       |       |       |       |       |
|------------|-------|-------|-------|-------|-------|-------|-------|
| R/W-0      | R/W-0 | R/W-0 | R/W-0 | R/W-0 | R/W-0 | R/W-0 | R/W-0 |
| C1RXR<7:0> |       |       |       |       |       |       |       |
| bit 7      |       |       |       |       |       |       | bit 0 |

**Legend:**  
R = Readable bit                      W = Writable bit                      U = Unimplemented bit, read as '0'  
-n = Value at POR                      '1' = Bit is set                      '0' = Bit is cleared                      x = Bit is unknown

bit 15-8                      **Unimplemented:** Read as '0'  
bit 7-0                      **C1RXR<7:0>:** Assign CAN1 RX Input (C1RX) to the Corresponding RPn Pin bits  
(see [Table 11-2](#) for input pin selection numbers)  
10110101 = Input tied to RPI181  
•  
•  
•  
00000001 = Input tied to CMP1  
00000000 = Input tied to Vss

# dsPIC33EVXXGM00X/10X FAMILY

## REGISTER 11-13: RPINR37: PERIPHERAL PIN SELECT INPUT REGISTER 37

|              |       |       |       |       |       |       |       |       |
|--------------|-------|-------|-------|-------|-------|-------|-------|-------|
| R/W-0        | R/W-0 | R/W-0 | R/W-0 | R/W-0 | R/W-0 | R/W-0 | R/W-0 |       |
| SYNC11R<7:0> |       |       |       |       |       |       |       |       |
| bit 15       |       |       |       |       |       |       |       | bit 8 |

|       |     |     |     |     |     |     |     |       |
|-------|-----|-----|-----|-----|-----|-----|-----|-------|
| U-0   | U-0 | U-0 | U-0 | U-0 | U-0 | U-0 | U-0 |       |
| —     | —   | —   | —   | —   | —   | —   | —   |       |
| bit 7 |     |     |     |     |     |     |     | bit 0 |

**Legend:**

R = Readable bit                      W = Writable bit                      U = Unimplemented bit, read as '0'  
 -n = Value at POR                      '1' = Bit is set                      '0' = Bit is cleared                      x = Bit is unknown

bit 15-8                      **SYNC11R<7:0>**: Assign PWM Synchronization Input 1 to the Corresponding RPn Pin bits  
 (see [Table 11-2](#) for input pin selection numbers)

- 10110101 = Input tied to RPI181
- 
- 
- 
- 00000001 = Input tied to CMP1
- 00000000 = Input tied to Vss

bit 7-0                      **Unimplemented**: Read as '0'

## REGISTER 11-14: RPINR38: PERIPHERAL PIN SELECT INPUT REGISTER 38

|              |       |       |       |       |       |       |       |       |
|--------------|-------|-------|-------|-------|-------|-------|-------|-------|
| R/W-0        | R/W-0 | R/W-0 | R/W-0 | R/W-0 | R/W-0 | R/W-0 | R/W-0 |       |
| DTCMP1R<7:0> |       |       |       |       |       |       |       |       |
| bit 15       |       |       |       |       |       |       |       | bit 8 |

|       |     |     |     |     |     |     |     |       |
|-------|-----|-----|-----|-----|-----|-----|-----|-------|
| U-0   | U-0 | U-0 | U-0 | U-0 | U-0 | U-0 | U-0 |       |
| —     | —   | —   | —   | —   | —   | —   | —   |       |
| bit 7 |     |     |     |     |     |     |     | bit 0 |

**Legend:**

R = Readable bit                      W = Writable bit                      U = Unimplemented bit, read as '0'  
 -n = Value at POR                      '1' = Bit is set                      '0' = Bit is cleared                      x = Bit is unknown

bit 15-8                      **DTCMP1R<7:0>**: Assign PWM Dead-Time Compensation Input 1 to the Corresponding RPn Pin bits  
 (see [Table 11-2](#) for input pin selection numbers)

- 10110101 = Input tied to RPI181
- 
- 
- 
- 00000001 = Input tied to CMP1
- 00000000 = Input tied to Vss

bit 7-0                      **Unimplemented**: Read as '0'

# dsPIC33EVXXGM00X/10X FAMILY

## REGISTER 11-15: RPINR39: PERIPHERAL PIN SELECT INPUT REGISTER 39

|          |          |          |          |          |          |          |          |
|----------|----------|----------|----------|----------|----------|----------|----------|
| R/W-0    | R/W-0    | R/W-0    | R/W-0    | R/W-0    | R/W-0    | R/W-0    | R/W-0    |
| DTCMP3R7 | DTCMP3R6 | DTCMP3R5 | DTCMP3R4 | DTCMP3R3 | DTCMP3R2 | DTCMP3R1 | DTCMP3R0 |
| bit 15   |          |          |          |          |          |          | bit 8    |

|          |          |          |          |          |          |          |          |
|----------|----------|----------|----------|----------|----------|----------|----------|
| R/W-0    | R/W-0    | R/W-0    | R/W-0    | R/W-0    | R/W-0    | R/W-0    | R/W-0    |
| DTCMP2R7 | DTCMP2R6 | DTCMP2R5 | DTCMP2R4 | DTCMP2R3 | DTCMP2R2 | DTCMP2R1 | DTCMP2R0 |
| bit 7    |          |          |          |          |          |          | bit 0    |

### Legend:

|                   |                  |                                    |
|-------------------|------------------|------------------------------------|
| R = Readable bit  | W = Writable bit | U = Unimplemented bit, read as '0' |
| -n = Value at POR | '1' = Bit is set | '0' = Bit is cleared               |
|                   |                  | x = Bit is unknown                 |

bit 15-8 **DTCMP3R<7:0>**: Assign PWM Dead-Time Compensation Input 3 to the Corresponding RPn Pin bits (see [Table 11-2](#) for input pin selection numbers)

10110101 = Input tied to RPI181

•  
•  
•

00000001 = Input tied to CMP1

00000000 = Input tied to Vss

bit 7-0 **DTCMP2R<7:0>**: Assign PWM Dead-Time Compensation Input 2 to the Corresponding RPn Pin bits (see [Table 11-2](#) for input pin selection numbers)

10110101 = Input tied to RPI181

•  
•  
•

00000001 = Input tied to CMP1

00000000 = Input tied to Vss

# dsPIC33EVXXGM00X/10X FAMILY

## REGISTER 11-16: RPINR44: PERIPHERAL PIN SELECT INPUT REGISTER 44

|             |       |       |       |       |       |       |       |
|-------------|-------|-------|-------|-------|-------|-------|-------|
| R/W-0       | R/W-0 | R/W-0 | R/W-0 | R/W-0 | R/W-0 | R/W-0 | R/W-0 |
| SENT1R<7:0> |       |       |       |       |       |       |       |
| bit 15      |       |       |       |       |       |       | bit 8 |

|       |     |     |     |     |     |     |       |
|-------|-----|-----|-----|-----|-----|-----|-------|
| U-0   | U-0 | U-0 | U-0 | U-0 | U-0 | U-0 | U-0   |
| —     |     |     |     |     |     |     |       |
| bit 7 |     |     |     |     |     |     | bit 0 |

**Legend:**

R = Readable bit                      W = Writable bit                      U = Unimplemented bit, read as '0'  
 -n = Value at POR                      '1' = Bit is set                      '0' = Bit is cleared                      x = Bit is unknown

bit 15-8            **SENT1R<7:0>**: Assign SENT Module Input 1 to the Corresponding RPn Pin bits  
 (see [Table 11-2](#) for input pin selection numbers)  
 10110101 = Input tied to RPI181  
 •  
 •  
 •  
 00000001 = Input tied to CMP1  
 00000000 = Input tied to Vss

bit 7-0            **Unimplemented**: Read as '0'

## REGISTER 11-17: RPINR45: PERIPHERAL PIN SELECT INPUT REGISTER 45

|        |     |     |     |     |     |     |       |
|--------|-----|-----|-----|-----|-----|-----|-------|
| U-0    | U-0 | U-0 | U-0 | U-0 | U-0 | U-0 | U-0   |
| —      |     |     |     |     |     |     |       |
| bit 15 |     |     |     |     |     |     | bit 8 |

|             |       |       |       |       |       |       |       |
|-------------|-------|-------|-------|-------|-------|-------|-------|
| R/W-0       | R/W-0 | R/W-0 | R/W-0 | R/W-0 | R/W-0 | R/W-0 | R/W-0 |
| SENT2R<7:0> |       |       |       |       |       |       |       |
| bit 7       |       |       |       |       |       |       | bit 0 |

**Legend:**

R = Readable bit                      W = Writable bit                      U = Unimplemented bit, read as '0'  
 -n = Value at POR                      '1' = Bit is set                      '0' = Bit is cleared                      x = Bit is unknown

bit 15-8            **Unimplemented**: Read as '0'

bit 7-0            **SENT2R<7:0>**: Assign SENT Module Input 2 to the Corresponding RPn Pin bits  
 (see [Table 11-2](#) for input pin selection numbers)  
 10110101 = Input tied to RPI181  
 •  
 •  
 •  
 00000001 = Input tied to CMP1  
 00000000 = Input tied to Vss

# dsPIC33EVXXGM00X/10X FAMILY

## REGISTER 11-18: RPOR0: PERIPHERAL PIN SELECT OUTPUT REGISTER 0

|        |     |        |        |        |        |        |        |
|--------|-----|--------|--------|--------|--------|--------|--------|
| U-0    | U-0 | R/W-0  | R/W-0  | R/W-0  | R/W-0  | R/W-0  | R/W-0  |
| —      | —   | RP35R5 | RP35R4 | RP35R3 | RP35R2 | RP35R1 | RP35R0 |
| bit 15 |     |        |        |        |        |        | bit 8  |

|       |     |        |        |        |        |        |        |
|-------|-----|--------|--------|--------|--------|--------|--------|
| U-0   | U-0 | R/W-0  | R/W-0  | R/W-0  | R/W-0  | R/W-0  | R/W-0  |
| —     | —   | RP20R5 | RP20R4 | RP20R3 | RP20R2 | RP20R1 | RP20R0 |
| bit 7 |     |        |        |        |        |        | bit 0  |

### Legend:

R = Readable bit                      W = Writable bit                      U = Unimplemented bit, read as '0'  
-n = Value at POR                      '1' = Bit is set                      '0' = Bit is cleared                      x = Bit is unknown

- bit 15-14      **Unimplemented:** Read as '0'
- bit 13-8      **RP35R<5:0>:** Peripheral Output Function is Assigned to RP35 Output Pin bits  
(see [Table 11-3](#) for peripheral function numbers)
- bit 7-6      **Unimplemented:** Read as '0'
- bit 5-0      **RP20R<5:0>:** Peripheral Output Function is Assigned to RP20 Output Pin bits  
(see [Table 11-3](#) for peripheral function numbers)

## REGISTER 11-19: RPOR1: PERIPHERAL PIN SELECT OUTPUT REGISTER 1

|        |     |        |        |        |        |        |        |
|--------|-----|--------|--------|--------|--------|--------|--------|
| U-0    | U-0 | R/W-0  | R/W-0  | R/W-0  | R/W-0  | R/W-0  | R/W-0  |
| —      | —   | RP37R5 | RP37R4 | RP37R3 | RP37R2 | RP37R1 | RP37R0 |
| bit 15 |     |        |        |        |        |        | bit 8  |

|       |     |        |        |        |        |        |        |
|-------|-----|--------|--------|--------|--------|--------|--------|
| U-0   | U-0 | R/W-0  | R/W-0  | R/W-0  | R/W-0  | R/W-0  | R/W-0  |
| —     | —   | RP36R5 | RP36R4 | RP36R3 | RP36R2 | RP36R1 | RP36R0 |
| bit 7 |     |        |        |        |        |        | bit 0  |

### Legend:

R = Readable bit                      W = Writable bit                      U = Unimplemented bit, read as '0'  
-n = Value at POR                      '1' = Bit is set                      '0' = Bit is cleared                      x = Bit is unknown

- bit 15-14      **Unimplemented:** Read as '0'
- bit 13-8      **RP37R<5:0>:** Peripheral Output Function is Assigned to RP37 Output Pin bits  
(see [Table 11-3](#) for peripheral function numbers)
- bit 7-6      **Unimplemented:** Read as '0'
- bit 5-0      **RP36R<5:0>:** Peripheral Output Function is Assigned to RP36 Output Pin bits  
(see [Table 11-3](#) for peripheral function numbers)

# dsPIC33EVXXGM00X/10X FAMILY

## REGISTER 11-20: RPOR2: PERIPHERAL PIN SELECT OUTPUT REGISTER 2

|        |     |        |        |        |        |        |        |
|--------|-----|--------|--------|--------|--------|--------|--------|
| U-0    | U-0 | R/W-0  | R/W-0  | R/W-0  | R/W-0  | R/W-0  | R/W-0  |
| —      | —   | RP39R5 | RP39R4 | RP39R3 | RP39R2 | RP39R1 | RP39R0 |
| bit 15 |     |        |        |        |        |        | bit 8  |

|       |     |        |        |        |        |        |        |
|-------|-----|--------|--------|--------|--------|--------|--------|
| U-0   | U-0 | R/W-0  | R/W-0  | R/W-0  | R/W-0  | R/W-0  | R/W-0  |
| —     | —   | RP38R5 | RP38R4 | RP38R3 | RP38R2 | RP38R1 | RP38R0 |
| bit 7 |     |        |        |        |        |        | bit 0  |

### Legend:

R = Readable bit                      W = Writable bit                      U = Unimplemented bit, read as '0'  
 -n = Value at POR                      '1' = Bit is set                      '0' = Bit is cleared                      x = Bit is unknown

- bit 15-14      **Unimplemented:** Read as '0'
- bit 13-8      **RP39R<5:0>:** Peripheral Output Function is Assigned to RP39 Output Pin bits  
 (see [Table 11-3](#) for peripheral function numbers)
- bit 7-6        **Unimplemented:** Read as '0'
- bit 5-0        **RP38R<5:0>:** Peripheral Output Function is Assigned to RP38 Output Pin bits  
 (see [Table 11-3](#) for peripheral function numbers)

## REGISTER 11-21: RPOR3: PERIPHERAL PIN SELECT OUTPUT REGISTER 3

|        |     |        |        |        |        |        |        |
|--------|-----|--------|--------|--------|--------|--------|--------|
| U-0    | U-0 | R/W-0  | R/W-0  | R/W-0  | R/W-0  | R/W-0  | R/W-0  |
| —      | —   | RP41R5 | RP41R4 | RP41R3 | RP41R2 | RP41R1 | RP41R0 |
| bit 15 |     |        |        |        |        |        | bit 8  |

|       |     |        |        |        |        |        |        |
|-------|-----|--------|--------|--------|--------|--------|--------|
| U-0   | U-0 | R/W-0  | R/W-0  | R/W-0  | R/W-0  | R/W-0  | R/W-0  |
| —     | —   | RP40R5 | RP40R4 | RP40R3 | RP40R2 | RP40R1 | RP40R0 |
| bit 7 |     |        |        |        |        |        | bit 0  |

### Legend:

R = Readable bit                      W = Writable bit                      U = Unimplemented bit, read as '0'  
 -n = Value at POR                      '1' = Bit is set                      '0' = Bit is cleared                      x = Bit is unknown

- bit 15-14      **Unimplemented:** Read as '0'
- bit 13-8      **RP41R<5:0>:** Peripheral Output Function is Assigned to RP41 Output Pin bits  
 (see [Table 11-3](#) for peripheral function numbers)
- bit 7-6        **Unimplemented:** Read as '0'
- bit 5-0        **RP40R<5:0>:** Peripheral Output Function is Assigned to RP40 Output Pin bits  
 (see [Table 11-3](#) for peripheral function numbers)

# dsPIC33EVXXGM00X/10X FAMILY

## REGISTER 11-22: RPOR4: PERIPHERAL PIN SELECT OUTPUT REGISTER 4

|        |     |        |        |        |        |        |        |
|--------|-----|--------|--------|--------|--------|--------|--------|
| U-0    | U-0 | R/W-0  | R/W-0  | R/W-0  | R/W-0  | R/W-0  | R/W-0  |
| —      | —   | RP43R5 | RP43R4 | RP43R3 | RP43R2 | RP43R1 | RP43R0 |
| bit 15 |     |        |        |        |        |        | bit 8  |

|       |     |        |        |        |        |        |        |
|-------|-----|--------|--------|--------|--------|--------|--------|
| U-0   | U-0 | R/W-0  | R/W-0  | R/W-0  | R/W-0  | R/W-0  | R/W-0  |
| —     | —   | RP42R5 | RP42R4 | RP42R3 | RP42R2 | RP42R1 | RP42R0 |
| bit 7 |     |        |        |        |        |        | bit 0  |

### Legend:

R = Readable bit                      W = Writable bit                      U = Unimplemented bit, read as '0'  
 -n = Value at POR                      '1' = Bit is set                      '0' = Bit is cleared                      x = Bit is unknown

- bit 15-14      **Unimplemented:** Read as '0'
- bit 13-8      **RP43R<5:0>:** Peripheral Output Function is Assigned to RP43 Output Pin bits  
 (see [Table 11-3](#) for peripheral function numbers)
- bit 7-6      **Unimplemented:** Read as '0'
- bit 5-0      **RP42R<5:0>:** Peripheral Output Function is Assigned to RP42 Output Pin bits  
 (see [Table 11-3](#) for peripheral function numbers)

## REGISTER 11-23: RPOR5: PERIPHERAL PIN SELECT OUTPUT REGISTER 5<sup>(1)</sup>

|        |     |        |        |        |        |        |        |
|--------|-----|--------|--------|--------|--------|--------|--------|
| U-0    | U-0 | R/W-0  | R/W-0  | R/W-0  | R/W-0  | R/W-0  | R/W-0  |
| —      | —   | RP49R5 | RP49R4 | RP49R3 | RP49R2 | RP49R1 | RP49R0 |
| bit 15 |     |        |        |        |        |        | bit 8  |

|       |     |        |        |        |        |        |        |
|-------|-----|--------|--------|--------|--------|--------|--------|
| U-0   | U-0 | R/W-0  | R/W-0  | R/W-0  | R/W-0  | R/W-0  | R/W-0  |
| —     | —   | RP48R5 | RP48R4 | RP48R3 | RP48R2 | RP48R1 | RP48R0 |
| bit 7 |     |        |        |        |        |        | bit 0  |

### Legend:

R = Readable bit                      W = Writable bit                      U = Unimplemented bit, read as '0'  
 -n = Value at POR                      '1' = Bit is set                      '0' = Bit is cleared                      x = Bit is unknown

- bit 15-14      **Unimplemented:** Read as '0'
- bit 13-8      **RP49R<5:0>:** Peripheral Output Function is Assigned to RP49 Output Pin bits  
 (see [Table 11-3](#) for peripheral function numbers)
- bit 7-6      **Unimplemented:** Read as '0'
- bit 5-0      **RP48R<5:0>:** Peripheral Output Function is Assigned to RP48 Output Pin bits  
 (see [Table 11-3](#) for peripheral function numbers)

**Note 1:** This register is present in dsPIC33EVXXGM004/104/006/106 devices only.

# dsPIC33EVXXXGM00X/10X FAMILY

## REGISTER 11-24: RPOR6: PERIPHERAL PIN SELECT OUTPUT REGISTER 6<sup>(1)</sup>

|        |     |        |        |        |        |        |        |
|--------|-----|--------|--------|--------|--------|--------|--------|
| U-0    | U-0 | R/W-0  | R/W-0  | R/W-0  | R/W-0  | R/W-0  | R/W-0  |
| —      | —   | RP55R5 | RP55R4 | RP55R3 | RP55R2 | RP55R1 | RP55R0 |
| bit 15 |     |        |        |        |        |        | bit 8  |

|       |     |        |        |        |        |        |        |
|-------|-----|--------|--------|--------|--------|--------|--------|
| U-0   | U-0 | R/W-0  | R/W-0  | R/W-0  | R/W-0  | R/W-0  | R/W-0  |
| —     | —   | RP54R5 | RP54R4 | RP54R3 | RP54R2 | RP54R1 | RP54R0 |
| bit 7 |     |        |        |        |        |        | bit 0  |

### Legend:

R = Readable bit                      W = Writable bit                      U = Unimplemented bit, read as '0'  
 -n = Value at POR                      '1' = Bit is set                      '0' = Bit is cleared                      x = Bit is unknown

- bit 15-14      **Unimplemented:** Read as '0'
- bit 13-8      **RP55R<5:0>:** Peripheral Output Function is Assigned to RP55 Output Pin bits  
 (see [Table 11-3](#) for peripheral function numbers)
- bit 7-6        **Unimplemented:** Read as '0'
- bit 5-0        **RP54R<5:0>:** Peripheral Output Function is Assigned to RP54 Output Pin bits  
 (see [Table 11-3](#) for peripheral function numbers)

**Note 1:** This register is present in dsPIC33EVXXXGM004/104/006/106 devices only

## REGISTER 11-25: RPOR7: PERIPHERAL PIN SELECT OUTPUT REGISTER 7<sup>(1)</sup>

|        |     |        |        |        |        |        |        |
|--------|-----|--------|--------|--------|--------|--------|--------|
| U-0    | U-0 | R/W-0  | R/W-0  | R/W-0  | R/W-0  | R/W-0  | R/W-0  |
| —      | —   | RP57R5 | RP57R4 | RP57R3 | RP57R2 | RP57R1 | RP57R0 |
| bit 15 |     |        |        |        |        |        | bit 8  |

|       |     |        |        |        |        |        |        |
|-------|-----|--------|--------|--------|--------|--------|--------|
| U-0   | U-0 | R/W-0  | R/W-0  | R/W-0  | R/W-0  | R/W-0  | R/W-0  |
| —     | —   | RP56R5 | RP56R4 | RP56R3 | RP56R2 | RP56R1 | RP56R0 |
| bit 7 |     |        |        |        |        |        | bit 0  |

### Legend:

R = Readable bit                      W = Writable bit                      U = Unimplemented bit, read as '0'  
 -n = Value at POR                      '1' = Bit is set                      '0' = Bit is cleared                      x = Bit is unknown

- bit 15-14      **Unimplemented:** Read as '0'
- bit 13-8      **RP57R<5:0>:** Peripheral Output Function is Assigned to RP57 Output Pin bits  
 (see [Table 11-3](#) for peripheral function numbers)
- bit 7-6        **Unimplemented:** Read as '0'
- bit 5-0        **RP56R<5:0>:** Peripheral Output Function is Assigned to RP56 Output Pin bits  
 (see [Table 11-3](#) for peripheral function numbers)

**Note 1:** This register is present in dsPIC33EVXXXGM004/104/006/106 devices only.



# dsPIC33EVXXGM00X/10X FAMILY

## REGISTER 11-26: RPOR8: PERIPHERAL PIN SELECT OUTPUT REGISTER 8<sup>(1)</sup>

|        |     |        |        |        |        |        |        |
|--------|-----|--------|--------|--------|--------|--------|--------|
| U-0    | U-0 | R/W-0  | R/W-0  | R/W-0  | R/W-0  | R/W-0  | R/W-0  |
| —      | —   | RP70R5 | RP70R4 | RP70R3 | RP70R2 | RP70R1 | RP70R0 |
| bit 15 |     |        |        |        |        |        | bit 8  |

|       |     |        |        |        |        |        |        |
|-------|-----|--------|--------|--------|--------|--------|--------|
| U-0   | U-0 | R/W-0  | R/W-0  | R/W-0  | R/W-0  | R/W-0  | R/W-0  |
| —     | —   | RP69R5 | RP69R4 | RP69R3 | RP69R2 | RP69R1 | RP69R0 |
| bit 7 |     |        |        |        |        |        | bit 0  |

### Legend:

R = Readable bit                      W = Writable bit                      U = Unimplemented bit, read as '0'  
 -n = Value at POR                      '1' = Bit is set                      '0' = Bit is cleared                      x = Bit is unknown

- bit 15-14      **Unimplemented:** Read as '0'
- bit 13-8      **RP70R<5:0>:** Peripheral Output Function is Assigned to RP70 Output Pin bits  
 (see [Table 11-3](#) for peripheral function numbers)
- bit 7-6      **Unimplemented:** Read as '0'
- bit 5-0      **RP69R<5:0>:** Peripheral Output Function is Assigned to RP69 Output Pin bits  
 (see [Table 11-3](#) for peripheral function numbers)

**Note 1:** This register is present in dsPIC33EVXXGM004/104/006/106 devices only.

## REGISTER 11-27: RPOR9: PERIPHERAL PIN SELECT OUTPUT REGISTER 9<sup>(1)</sup>

|        |     |         |         |         |         |         |         |
|--------|-----|---------|---------|---------|---------|---------|---------|
| U-0    | U-0 | R/W-0   | R/W-0   | R/W-0   | R/W-0   | R/W-0   | R/W-0   |
| —      | —   | RP118R5 | RP118R4 | RP118R3 | RP118R2 | RP118R1 | RP118R0 |
| bit 15 |     |         |         |         |         |         | bit 8   |

|       |     |        |        |        |        |        |        |
|-------|-----|--------|--------|--------|--------|--------|--------|
| U-0   | U-0 | R/W-0  | R/W-0  | R/W-0  | R/W-0  | R/W-0  | R/W-0  |
| —     | —   | RP97R5 | RP97R4 | RP97R3 | RP97R2 | RP97R1 | RP97R0 |
| bit 7 |     |        |        |        |        |        | bit 0  |

### Legend:

R = Readable bit                      W = Writable bit                      U = Unimplemented bit, read as '0'  
 -n = Value at POR                      '1' = Bit is set                      '0' = Bit is cleared                      x = Bit is unknown

- bit 15-14      **Unimplemented:** Read as '0'
- bit 13-8      **RP118R<5:0>:** Peripheral Output Function is Assigned to RP118 Output Pin bits  
 (see [Table 11-3](#) for peripheral function numbers)
- bit 7-6      **Unimplemented:** Read as '0'
- bit 5-0      **RP97R<5:0>:** Peripheral Output Function is Assigned to RP97 Output Pin bits  
 (see [Table 11-3](#) for peripheral function numbers)

**Note 1:** This register is present in dsPIC33EVXXGM004/106 devices only.

# dsPIC33EVXXGM00X/10X FAMILY

## REGISTER 11-28: RPOR10: PERIPHERAL PIN SELECT OUTPUT REGISTER 10

|        |     |         |         |         |         |         |         |
|--------|-----|---------|---------|---------|---------|---------|---------|
| U-0    | U-0 | R/W-0   | R/W-0   | R/W-0   | R/W-0   | R/W-0   | R/W-0   |
| —      | —   | RP176R5 | RP176R4 | RP176R3 | RP176R2 | RP176R1 | RP176R0 |
| bit 15 |     |         |         |         |         |         | bit 8   |

|       |     |                        |                        |                        |                        |                        |                        |
|-------|-----|------------------------|------------------------|------------------------|------------------------|------------------------|------------------------|
| U-0   | U-0 | R/W-0                  | R/W-0                  | R/W-0                  | R/W-0                  | R/W-0                  | R/W-0                  |
| —     | —   | RP120R5 <sup>(1)</sup> | RP120R4 <sup>(1)</sup> | RP120R3 <sup>(1)</sup> | RP120R2 <sup>(1)</sup> | RP120R1 <sup>(1)</sup> | RP120R0 <sup>(1)</sup> |
| bit 7 |     |                        |                        |                        |                        |                        | bit 0                  |

### Legend:

R = Readable bit                      W = Writable bit                      U = Unimplemented bit, read as '0'  
 -n = Value at POR                      '1' = Bit is set                      '0' = Bit is cleared                      x = Bit is unknown

- bit 15-14      **Unimplemented:** Read as '0'
- bit 13-8      **RP176R<5:0>:** Peripheral Output Function is Assigned to RP176 Output Pin bits  
 (see [Table 11-3](#) for peripheral function numbers)
- bit 7-6        **Unimplemented:** Read as '0'
- bit 5-0        **RP120R<5:0>:** Peripheral Output Function is Assigned to RP120 Output Pin bits<sup>(1)</sup>  
 (see [Table 11-3](#) for peripheral function numbers)

**Note 1:** RP120R<5:0> is present in dsPIC33EVXXGM006/106 devices only.

## REGISTER 11-29: RPOR11: PERIPHERAL PIN SELECT OUTPUT REGISTER 11

|        |     |         |         |         |         |         |         |
|--------|-----|---------|---------|---------|---------|---------|---------|
| U-0    | U-0 | R/W-0   | R/W-0   | R/W-0   | R/W-0   | R/W-0   | R/W-0   |
| —      | —   | RP178R5 | RP178R4 | RP178R3 | RP178R2 | RP178R1 | RP178R0 |
| bit 15 |     |         |         |         |         |         | bit 8   |

|       |     |         |         |         |         |         |         |
|-------|-----|---------|---------|---------|---------|---------|---------|
| U-0   | U-0 | R/W-0   | R/W-0   | R/W-0   | R/W-0   | R/W-0   | R/W-0   |
| —     | —   | RP177R5 | RP177R4 | RP177R3 | RP177R2 | RP177R1 | RP177R0 |
| bit 7 |     |         |         |         |         |         | bit 0   |

### Legend:

R = Readable bit                      W = Writable bit                      U = Unimplemented bit, read as '0'  
 -n = Value at POR                      '1' = Bit is set                      '0' = Bit is cleared                      x = Bit is unknown

- bit 15-14      **Unimplemented:** Read as '0'
- bit 13-8      **RP178R<5:0>:** Peripheral Output Function is Assigned to RP178 Output Pin bits  
 (see [Table 11-3](#) for peripheral function numbers)
- bit 7-6        **Unimplemented:** Read as '0'
- bit 5-0        **RP177R<5:0>:** Peripheral Output Function is Assigned to RP177 Output Pin bits  
 (see [Table 11-3](#) for peripheral function numbers)

# dsPIC33EVXXGM00X/10X FAMILY

## REGISTER 11-30: RPOR12: PERIPHERAL PIN SELECT OUTPUT REGISTER 12

|        |     |         |         |         |         |         |         |
|--------|-----|---------|---------|---------|---------|---------|---------|
| U-0    | U-0 | R/W-0   | R/W-0   | R/W-0   | R/W-0   | R/W-0   | R/W-0   |
| —      | —   | RP180R5 | RP180R4 | RP180R3 | RP180R2 | RP180R1 | RP180R0 |
| bit 15 |     |         |         |         |         |         | bit 8   |

|       |     |         |         |         |         |         |         |
|-------|-----|---------|---------|---------|---------|---------|---------|
| U-0   | U-0 | R/W-0   | R/W-0   | R/W-0   | R/W-0   | R/W-0   | R/W-0   |
| —     | —   | RP179R5 | RP179R4 | RP179R3 | RP179R2 | RP179R1 | RP179R0 |
| bit 7 |     |         |         |         |         |         | bit 0   |

### Legend:

R = Readable bit                      W = Writable bit                      U = Unimplemented bit, read as '0'  
 -n = Value at POR                      '1' = Bit is set                      '0' = Bit is cleared                      x = Bit is unknown

- bit 15-14        **Unimplemented:** Read as '0'
- bit 13-8        **RP180R<5:0>:** Peripheral Output Function is Assigned to RP180 Output Pin bits  
                   (see [Table 11-3](#) for peripheral function numbers)
- bit 7-6         **Unimplemented:** Read as '0'
- bit 5-0         **RP179R<5:0>:** Peripheral Output Function is Assigned to RP179 Output Pin bits  
                   (see [Table 11-3](#) for peripheral function numbers)

## REGISTER 11-31: RPOR13: PERIPHERAL PIN SELECT OUTPUT REGISTER 13

|        |     |     |     |     |     |     |       |
|--------|-----|-----|-----|-----|-----|-----|-------|
| U-0    | U-0 | U-0 | U-0 | U-0 | U-0 | U-0 | U-0   |
| —      | —   | —   | —   | —   | —   | —   | —     |
| bit 15 |     |     |     |     |     |     | bit 8 |

|       |     |             |       |       |       |       |       |  |
|-------|-----|-------------|-------|-------|-------|-------|-------|--|
| U-0   | U-0 | R/W-0       | R/W-0 | R/W-0 | R/W-0 | R/W-0 | R/W-0 |  |
| —     | —   | RP181R<5:0> |       |       |       |       |       |  |
| bit 7 |     |             |       |       |       |       | bit 0 |  |

### Legend:

R = Readable bit                      W = Writable bit                      U = Unimplemented bit, read as '0'  
 -n = Value at POR                      '1' = Bit is set                      '0' = Bit is cleared                      x = Bit is unknown

- bit 15-6        **Unimplemented:** Read as '0'
- bit 5-0         **RP181R<5:0>:** Peripheral Output Function is Assigned to RP181 Output Pin bits  
                   (see [Table 11-3](#) for peripheral function numbers)

# dsPIC33EVXXGM00X/10X FAMILY

---

---

NOTES:

## 12.0 TIMER1

**Note 1:** This data sheet summarizes the features of the dsPIC33EVXXGM00X/10X family of devices. It is not intended to be a comprehensive reference source. To complement the information in this data sheet, refer to “Timers” (DS70362) in the “dsPIC33/PIC24 Family Reference Manual”, which is available from the Microchip web site ([www.microchip.com](http://www.microchip.com)).

**2:** Some registers and associated bits described in this section may not be available on all devices. Refer to [Section 4.0 “Memory Organization”](#) in this data sheet for device-specific register and bit information.

The Timer1 module is a 16-bit timer that can operate as a free-running, interval timer/counter.

The Timer1 module has the following unique features over other timers:

- Can be Operated in Asynchronous Counter mode from an External Clock Source
- The Timer1 External Clock Input (T1CK) can Optionally be Synchronized to the Internal Device Clock and the Clock Synchronization is Performed after the Prescaler

A block diagram of Timer1 is shown in [Figure 12-1](#).

The Timer1 module can operate in one of the following modes:

- Timer mode
- Gated Timer mode
- Synchronous Counter mode
- Asynchronous Counter mode

In Timer and Gated Timer modes, the input clock is derived from the internal instruction cycle clock (FCY). In Synchronous and Asynchronous Counter modes, the input clock is derived from the external clock input at the T1CK pin.

The Timer modes are determined by the following bits:

- Timer Clock Source Control bit (TCS): T1CON<1>
- Timer Synchronization Control bit (TSYNC): T1CON<2>
- Timer Gate Control bit (TGATE): T1CON<6>

Timer control bit settings for different operating modes are given in [Table 12-1](#).

**TABLE 12-1: TIMER MODE SETTINGS**

| Mode                 | TCS | TGATE | TSYNC |
|----------------------|-----|-------|-------|
| Timer                | 0   | 0     | x     |
| Gated Timer          | 0   | 1     | x     |
| Synchronous Counter  | 1   | x     | 1     |
| Asynchronous Counter | 1   | x     | 0     |

**FIGURE 12-1: 16-BIT TIMER1 MODULE BLOCK DIAGRAM**



# dsPIC33EVXXGM00X/10X FAMILY

## 12.1 Timer1 Control Register

REGISTER 12-1: T1CON: TIMER1 CONTROL REGISTER

|                    |     |       |     |     |     |     |       |
|--------------------|-----|-------|-----|-----|-----|-----|-------|
| R/W-0              | U-0 | R/W-0 | U-0 | U-0 | U-0 | U-0 | U-0   |
| TON <sup>(1)</sup> | —   | TSIDL | —   | —   | —   | —   | —     |
| bit 15             |     |       |     |     |     |     | bit 8 |

|       |       |        |        |     |                      |                    |       |
|-------|-------|--------|--------|-----|----------------------|--------------------|-------|
| U-0   | R/W-0 | R/W-0  | R/W-0  | U-0 | R/W-0                | R/W-0              | U-0   |
| —     | TGATE | TCKPS1 | TCKPS0 | —   | TSYNC <sup>(1)</sup> | TCS <sup>(1)</sup> | —     |
| bit 7 |       |        |        |     |                      |                    | bit 0 |

**Legend:**

R = Readable bit                      W = Writable bit                      U = Unimplemented bit, read as '0'  
 -n = Value at POR                      '1' = Bit is set                      '0' = Bit is cleared                      x = Bit is unknown

- bit 15            **TON:** Timer1 On bit<sup>(1)</sup>  
                   1 = Starts 16-bit Timer1  
                   0 = Stops 16-bit Timer1
- bit 14            **Unimplemented:** Read as '0'
- bit 13            **TSIDL:** Timer1 Stop in Idle Mode bit  
                   1 = Discontinues module operation when the device enters Idle mode  
                   0 = Continues module operation in Idle mode
- bit 12-7        **Unimplemented:** Read as '0'
- bit 6            **TGATE:** Timer1 Gated Time Accumulation Enable bit  
                   When TCS = 1:  
                   This bit is ignored.  
                   When TCS = 0:  
                   1 = Gated time accumulation is enabled  
                   0 = Gated time accumulation is disabled
- bit 5-4        **TCKPS<1:0>:** Timer1 Input Clock Prescale Select bits  
                   11 = 1:256  
                   10 = 1:64  
                   01 = 1:8  
                   00 = 1:1
- bit 3            **Unimplemented:** Read as '0'
- bit 2            **TSYNC:** Timer1 External Clock Input Synchronization Select bit<sup>(1)</sup>  
                   When TCS = 1:  
                   1 = External clock input is synchronized  
                   0 = External clock input is not synchronized  
                   When TCS = 0:  
                   This bit is ignored.
- bit 1            **TCS:** Timer1 Clock Source Select bit<sup>(1)</sup>  
                   1 = External clock is from pin, T1CK (on the rising edge)  
                   0 = Internal clock (FP)
- bit 0            **Unimplemented:** Read as '0'

**Note 1:** When Timer1 is enabled in External Synchronous Counter mode (TCS = 1, TSYNC = 1, TON = 1), any attempts by user software to write to the TMR1 register are ignored.

## 13.0 TIMER2/3 AND TIMER4/5

**Note 1:** This data sheet summarizes the features of the dsPIC33EVXXGM00X/10X family of devices. It is not intended to be a comprehensive reference source. To complement the information in this data sheet, refer to “**Timers**” (DS70362) in the “*dsPIC33/PIC24 Family Reference Manual*”, which is available from the Microchip web site ([www.microchip.com](http://www.microchip.com)).

**2:** Some registers and associated bits described in this section may not be available on all devices. Refer to [Section 4.0 “Memory Organization”](#) in this data sheet for device-specific register and bit information.

These modules are 32-bit timers, which can also be configured as four independent, 16-bit timers with selectable operating modes.

As a 32-bit timer, Timer2/3 and Timer4/5 operate in the following three modes:

- Two Independent 16-Bit Timers (e.g., Timer2 and Timer3) with all 16-Bit Operating modes (except Asynchronous Counter mode)
- Single 32-Bit Timer
- Single 32-Bit Synchronous Counter

They also support these features:

- Timer Gate Operation
- Selectable Prescaler Settings
- Timer Operation during Idle and Sleep modes
- Interrupt on a 32-Bit Period Register Match
- Time Base for Input Capture and Output Compare Modules
- ADC1 Event Trigger (Timer2/3 only)

Individually, all four of the 16-bit timers can function as synchronous timers or counters. They also offer the features listed previously, except for the event trigger; this is implemented only with Timer2/3. The operating modes and enabled features are determined by setting the appropriate bit(s) in the T2CON, T3CON, T4CON and T5CON registers. T2CON and T4CON are shown in generic form in [Register 13-1](#). The T3CON and T5CON registers are shown in [Register 13-2](#).

For 32-bit timer/counter operation, Timer2 and Timer4 are the least significant word (lsw). Timer3 and Timer5 are the most significant word (msw) of the 32-bit timers.

**Note:** For 32-bit operation, the T3CON and T5CON control bits are ignored. Only the T2CON and T4CON control bits are used for setup and control. Timer2 and Timer4 clock and gate inputs are utilized for the 32-bit timer modules, but an interrupt is generated with the Timer3 and Timer5 interrupt flags.

Block diagrams for the Type B and Type C timers are shown in [Figure 13-1](#) and [Figure 13-2](#), respectively.

A block diagram for an example 32-bit timer pair (Timer2/3 and Timer4/5) is shown in [Figure 13-3](#).

**Note:** Only Timer2, Timer3, Timer4 and Timer5 can trigger a DMA data transfer.

# dsPIC33EVXXGM00X/10X FAMILY

**FIGURE 13-1: TYPE B TIMER BLOCK DIAGRAM (x = 2 AND 4)**



**FIGURE 13-2: TYPE C TIMER BLOCK DIAGRAM (x = 3 AND 5)**





**FIGURE 13-3: TYPE B/TIME C TIMER PAIR BLOCK DIAGRAM (32-BIT TIMER)**



- Note**
- 1: Fp is the peripheral clock.
  - 2: Timerx is a Type B timer (x = 2 and 4).
  - 3: Timery is a Type C timer (y = 3 and 5).
  - 4: The ADC trigger is available only on the TMR3:TMR2 and TMR5:TMR4 32-bit timer pairs.

# dsPIC33EVXXGM00X/10X FAMILY

## 13.1 Timer2/3 and Timer4/5 Control Registers

REGISTER 13-1: TxCON (T2CON AND T4CON) CONTROL REGISTER

|        |     |       |     |     |     |     |       |
|--------|-----|-------|-----|-----|-----|-----|-------|
| R/W-0  | U-0 | R/W-0 | U-0 | U-0 | U-0 | U-0 | U-0   |
| TON    | —   | TSIDL | —   | —   | —   | —   | —     |
| bit 15 |     |       |     |     |     |     | bit 8 |

|       |       |        |        |       |     |                    |       |
|-------|-------|--------|--------|-------|-----|--------------------|-------|
| U-0   | R/W-0 | R/W-0  | R/W-0  | R/W-0 | U-0 | R/W-0              | U-0   |
| —     | TGATE | TCKPS1 | TCKPS0 | T32   | —   | TCS <sup>(1)</sup> | —     |
| bit 7 |       |        |        |       |     |                    | bit 0 |

**Legend:**

|                   |                  |                                    |
|-------------------|------------------|------------------------------------|
| R = Readable bit  | W = Writable bit | U = Unimplemented bit, read as '0' |
| -n = Value at POR | '1' = Bit is set | '0' = Bit is cleared               |
|                   |                  | x = Bit is unknown                 |

- bit 15      **TON:** Timerx On bit  
             When T32 = 1:  
             1 = Starts 32-bit Timerx/y  
             0 = Stops 32-bit Timerx/y  
             When T32 = 0:  
             1 = Starts 16-bit Timerx  
             0 = Stops 16-bit Timerx
- bit 14      **Unimplemented:** Read as '0'
- bit 13      **TSIDL:** Timerx Stop in Idle Mode bit  
             1 = Discontinues module operation when the device enters Idle mode  
             0 = Continues module operation in Idle mode
- bit 12-7    **Unimplemented:** Read as '0'
- bit 6      **TGATE:** Timerx Gated Time Accumulation Enable bit  
             When TCS = 1:  
             This bit is ignored.  
             When TCS = 0:  
             1 = Gated time accumulation is enabled  
             0 = Gated time accumulation is disabled
- bit 5-4     **TCKPS<1:0>:** Timerx Input Clock Prescale Select bits  
             11 = 1:256  
             10 = 1:64  
             01 = 1:8  
             00 = 1:1
- bit 3      **T32:** 32-Bit Timer Mode Select bit  
             1 = Timerx and Timery form a single 32-bit timer  
             0 = Timerx and Timery act as two 16-bit timers
- bit 2      **Unimplemented:** Read as '0'
- bit 1      **TCS:** Timerx Clock Source Select bit<sup>(1)</sup>  
             1 = External clock is from pin, TxCK (on the rising edge)  
             0 = Internal clock (FP)
- bit 0      **Unimplemented:** Read as '0'

**Note 1:** The TxCK pin is not available on all timers. Refer to the “Pin Diagrams” section for the available pins.

# dsPIC33EVXXGM00X/10X FAMILY

## REGISTER 13-2: TyCON (T3CON AND T5CON) CONTROL REGISTER

|                    |     |                      |     |     |     |     |       |
|--------------------|-----|----------------------|-----|-----|-----|-----|-------|
| R/W-0              | U-0 | R/W-0                | U-0 | U-0 | U-0 | U-0 | U-0   |
| TON <sup>(1)</sup> | —   | TSIDL <sup>(2)</sup> | —   | —   | —   | —   | —     |
| bit 15             |     |                      |     |     |     |     | bit 8 |

|       |                      |                       |                       |     |     |                      |       |
|-------|----------------------|-----------------------|-----------------------|-----|-----|----------------------|-------|
| U-0   | R/W-0                | R/W-0                 | R/W-0                 | U-0 | U-0 | R/W-0                | U-0   |
| —     | TGATE <sup>(1)</sup> | TCKPS1 <sup>(1)</sup> | TCKPS0 <sup>(1)</sup> | —   | —   | TCS <sup>(1,3)</sup> | —     |
| bit 7 |                      |                       |                       |     |     |                      | bit 0 |

### Legend:

R = Readable bit                      W = Writable bit                      U = Unimplemented bit, read as '0'  
 -n = Value at POR                      '1' = Bit is set                      '0' = Bit is cleared                      x = Bit is unknown

- bit 15            **TON:** Timery On bit<sup>(1)</sup>  
                   1 = Starts 16-bit Timery  
                   0 = Stops 16-bit Timery
- bit 14            **Unimplemented:** Read as '0'
- bit 13            **TSIDL:** Timery Stop in Idle Mode bit<sup>(2)</sup>  
                   1 = Discontinues module operation when the device enters an Idle mode  
                   0 = Continues module operation in an Idle mode
- bit 12-7        **Unimplemented:** Read as '0'
- bit 6            **TGATE:** Timery Gated Time Accumulation Enable bit<sup>(1)</sup>  
                   When TCS = 1:  
                   This bit is ignored.  
                   When TCS = 0:  
                   1 = Gated time accumulation is enabled  
                   0 = Gated time accumulation is disabled
- bit 5-4        **TCKPS<1:0>:** Timery Input Clock Prescale Select bits<sup>(1)</sup>  
                   11 = 1:256  
                   10 = 1:64  
                   01 = 1:8  
                   00 = 1:1
- bit 3-2        **Unimplemented:** Read as '0'
- bit 1            **TCS:** Timery Clock Source Select bit<sup>(1,3)</sup>  
                   1 = External clock is from pin, TyCK (on the rising edge)  
                   0 = Internal clock (FP)
- bit 0            **Unimplemented:** Read as '0'

- Note 1:** When 32-bit operation is enabled (T2CON<3> = 1), these bits have no effect on Timery operation; all timer functions are set through TxCON.
- 2:** When 32-bit timer operation is enabled (T32 = 1) in the Timerx Control register (TxCON<3>), the TSIDL bit must be cleared to operate the 32-bit timer in Idle mode.
- 3:** The TyCK pin is not available on all timers. See the “[Pin Diagrams](#)” section for the available pins.

# dsPIC33EVXXGM00X/10X FAMILY

---

---

NOTES:

## 14.0 DEADMAN TIMER (DMT)

**Note 1:** This data sheet summarizes the features of the dsPIC33EVXXGM00X/10X family of devices. It is not intended to be a comprehensive reference source. To complement the information in this data sheet, refer to “**Deadman Timer (DMT)**” (DS70005155) in the “*dsPIC33/PIC24 Family Reference Manual*”, which is available from the Microchip web site ([www.microchip.com](http://www.microchip.com)).

**2:** Some registers and associated bits described in this section may not be available on all devices. Refer to **Section 4.0 “Memory Organization”** in this data sheet for device-specific register and bit information.

The primary function of the Deadman Timer (DMT) is to reset the processor in the event of a software malfunction. The DMT, which works on the system clock, is a free-running instruction fetch timer, which is clocked whenever an instruction fetch occurs, until a count match occurs. Instructions are not fetched when the processor is in Sleep mode.

DMT can be enabled in the Configuration fuse or by software in the DMTCON register by setting the ON bit. The DMT consists of a 32-bit counter with a time-out count match value, as specified by the two 16-bit Configuration Fuse registers: FDMTCNTL and FDMTCNTH.

A DMT is typically used in mission-critical, and safety-critical applications, where any single failure of the software functionality and sequencing must be detected.

Figure 14-1 shows a block diagram of the Deadman Timer module.

**FIGURE 14-1: DEADMAN TIMER BLOCK DIAGRAM**



# dsPIC33EVXXGM00X/10X FAMILY

## 14.1 Deadman Timer Control Registers

### REGISTER 14-1: DMTCON: DEADMAN TIMER CONTROL REGISTER

|                   |     |     |     |     |     |     |       |
|-------------------|-----|-----|-----|-----|-----|-----|-------|
| R/W-0             | U-0 | U-0 | U-0 | U-0 | U-0 | U-0 | U-0   |
| ON <sup>(1)</sup> | —   | —   | —   | —   | —   | —   | —     |
| bit 15            |     |     |     |     |     |     | bit 8 |

|       |     |     |     |     |     |     |       |
|-------|-----|-----|-----|-----|-----|-----|-------|
| U-0   | U-0 | U-0 | U-0 | U-0 | U-0 | U-0 | U-0   |
| —     | —   | —   | —   | —   | —   | —   | —     |
| bit 7 |     |     |     |     |     |     | bit 0 |

**Legend:**

R = Readable bit                      W = Writable bit                      U = Unimplemented bit, read as '0'  
 -n = Value at POR                      '1' = Bit is set                      '0' = Bit is cleared                      x = Bit is unknown

bit 15                      **ON:** DMT Module Enable bit<sup>(1)</sup>  
                                     1 = Deadman Timer module is enabled  
                                     0 = Deadman Timer module is not enabled

bit 14-0                      **Unimplemented:** Read as '0'

**Note 1:** This bit has control only when DMTEN = 0 in the FDMT register.

### REGISTER 14-2: DMTPRECLR: DEADMAN TIMER PRECLEAR REGISTER

|            |       |       |       |       |       |       |       |
|------------|-------|-------|-------|-------|-------|-------|-------|
| R/W-0      | R/W-0 | R/W-0 | R/W-0 | R/W-0 | R/W-0 | R/W-0 | R/W-0 |
| STEP1<7:0> |       |       |       |       |       |       |       |
| bit 15     |       |       |       |       |       |       | bit 8 |

|       |     |     |     |     |     |     |       |
|-------|-----|-----|-----|-----|-----|-----|-------|
| U-0   | U-0 | U-0 | U-0 | U-0 | U-0 | U-0 | U-0   |
| —     | —   | —   | —   | —   | —   | —   | —     |
| bit 7 |     |     |     |     |     |     | bit 0 |

**Legend:**

R = Readable bit                      W = Writable bit                      U = Unimplemented bit, read as '0'  
 -n = Value at POR                      '1' = Bit is set                      '0' = Bit is cleared                      x = Bit is unknown

bit 15-8                      **STEP1<7:0>:** DMT Preclear Enable bits  
                                     01000000 = Enables the Deadman Timer preclear (Step 1)  
                                     All Other Write Patterns = Sets the BAD1 flag; these bits are cleared when a DMT Reset event occurs.  
     STEP1<7:0> bits are also cleared if the STEP2<7:0> bits are loaded with the correct value in the correct sequence.

bit 7-0                      **Unimplemented:** Read as '0'

# dsPIC33EVXXGM00X/10X FAMILY

## REGISTER 14-3: DMTCLR: DEADMAN TIMER CLEAR REGISTER

|        |     |     |     |     |     |     |       |
|--------|-----|-----|-----|-----|-----|-----|-------|
| U-0    | U-0 | U-0 | U-0 | U-0 | U-0 | U-0 | U-0   |
| —      | —   | —   | —   | —   | —   | —   | —     |
| bit 15 |     |     |     |     |     |     | bit 8 |

|            |       |       |       |       |       |       |       |
|------------|-------|-------|-------|-------|-------|-------|-------|
| R/W-0      | R/W-0 | R/W-0 | R/W-0 | R/W-0 | R/W-0 | R/W-0 | R/W-0 |
| STEP2<7:0> |       |       |       |       |       |       |       |
| bit 7      |       |       |       |       |       |       | bit 0 |

### Legend:

|                   |                  |                                    |
|-------------------|------------------|------------------------------------|
| R = Readable bit  | W = Writable bit | U = Unimplemented bit, read as '0' |
| -n = Value at POR | '1' = Bit is set | '0' = Bit is cleared               |
|                   |                  | x = Bit is unknown                 |

bit 15-8      **Unimplemented:** Read as '0'

bit 7-0      **STEP2<7:0>:** DMT Clear Timer bits

00001000 = Clears STEP1<7:0>, STEP2<7:0> and the Deadman Timer if preceded by the correct loading of the STEP1<7:0> bits in the correct sequence. The write to these bits may be verified by reading the DMTCTL/H register and observing the counter being reset.

All Other

Write Patterns = Sets the BAD2 bit; the value of STEP1<7:0> will remain unchanged and the new value being written to STEP2<7:0> will be captured. These bits are cleared when a DMT Reset event occurs.

# dsPIC33EVXXGM00X/10X FAMILY

## REGISTER 14-4: DMTSTAT: DEADMAN TIMER STATUS REGISTER

|        |     |     |     |     |     |       |     |
|--------|-----|-----|-----|-----|-----|-------|-----|
| U-0    | U-0 | U-0 | U-0 | U-0 | U-0 | U-0   | U-0 |
| —      | —   | —   | —   | —   | —   | —     | —   |
| bit 15 |     |     |     |     |     | bit 8 |     |

|         |         |          |     |     |     |       |        |
|---------|---------|----------|-----|-----|-----|-------|--------|
| R-0, HC | R-0, HC | R-0, HC  | U-0 | U-0 | U-0 | U-0   | R-0    |
| BAD1    | BAD2    | DMTEVENT | —   | —   | —   | —     | WINOPN |
| bit 7   |         |          |     |     |     | bit 0 |        |

|                   |                                    |
|-------------------|------------------------------------|
| <b>Legend:</b>    | HC = Hardware Clearable bit        |
| R = Readable bit  | W = Writable bit                   |
| -n = Value at POR | '1' = Bit is set                   |
|                   | U = Unimplemented bit, read as '0' |
|                   | '0' = Bit is cleared               |
|                   | x = Bit is unknown                 |

- bit 15-8     **Unimplemented:** Read as '0'
- bit 7       **BAD1:** Deadman Timer Bad STEP1<7:0> Value Detect bit
  - 1 = Incorrect STEP1<7:0> value was detected
  - 0 = Incorrect STEP1<7:0> value was not detected
- bit 6       **BAD2:** Deadman Timer Bad STEP2<7:0> Value Detect bit
  - 1 = Incorrect STEP2<7:0> value was detected
  - 0 = Incorrect STEP2<7:0> value was not detected
- bit 5       **DMTEVENT:** Deadman Timer Event bit
  - 1 = Deadman Timer event was detected (counter expired, or bad STEP1<7:0> or STEP2<7:0> value was entered prior to counter increment)
  - 0 = Deadman Timer event was not detected
- bit 4-1     **Unimplemented:** Read as '0'
- bit 0       **WINOPN:** Deadman Timer Clear Window bit
  - 1 = Deadman Timer clear window is open
  - 0 = Deadman Timer clear window is not open



# dsPIC33EVXXGM00X/10X FAMILY

## REGISTER 14-5: DMTCNTL: DEADMAN TIMER COUNT REGISTER LOW

|               |       |       |       |       |       |       |       |
|---------------|-------|-------|-------|-------|-------|-------|-------|
| R/W-0         | R/W-0 | R/W-0 | R/W-0 | R/W-0 | R/W-0 | R/W-0 | R/W-0 |
| COUNTER<15:8> |       |       |       |       |       |       |       |
| bit 15        |       |       |       |       |       |       | bit 8 |

|              |       |       |       |       |       |       |       |
|--------------|-------|-------|-------|-------|-------|-------|-------|
| R/W-0        | R/W-0 | R/W-0 | R/W-0 | R/W-0 | R/W-0 | R/W-0 | R/W-0 |
| COUNTER<7:0> |       |       |       |       |       |       |       |
| bit 7        |       |       |       |       |       |       | bit 0 |

### Legend:

R = Readable bit

W = Writable bit

U = Unimplemented bit, read as '0'

-n = Value at POR

'1' = Bit is set

'0' = Bit is cleared

x = Bit is unknown

bit 15-0      **COUNTER<15:0>**: Read Current Contents of Lower DMT Counter bits

## REGISTER 14-6: DMTCNTH: DEADMAN TIMER COUNT REGISTER HIGH

|                |       |       |       |       |       |       |       |
|----------------|-------|-------|-------|-------|-------|-------|-------|
| R/W-0          | R/W-0 | R/W-0 | R/W-0 | R/W-0 | R/W-0 | R/W-0 | R/W-0 |
| COUNTER<31:24> |       |       |       |       |       |       |       |
| bit 15         |       |       |       |       |       |       | bit 8 |

|                |       |       |       |       |       |       |       |
|----------------|-------|-------|-------|-------|-------|-------|-------|
| R/W-0          | R/W-0 | R/W-0 | R/W-0 | R/W-0 | R/W-0 | R/W-0 | R/W-0 |
| COUNTER<23:16> |       |       |       |       |       |       |       |
| bit 7          |       |       |       |       |       |       | bit 0 |

### Legend:

R = Readable bit

W = Writable bit

U = Unimplemented bit, read as '0'

-n = Value at POR

'1' = Bit is set

'0' = Bit is cleared

x = Bit is unknown

bit 15-0      **COUNTER<31:16>**: Read Current Contents of Higher DMT Counter bits

# dsPIC33EVXXGM00X/10X FAMILY

## REGISTER 14-7: DMT PSCNTL: DMT POST CONFIGURE COUNT STATUS REGISTER LOW

|             |       |       |       |       |       |       |       |
|-------------|-------|-------|-------|-------|-------|-------|-------|
| R/W-0       | R/W-0 | R/W-0 | R/W-0 | R/W-0 | R/W-0 | R/W-0 | R/W-0 |
| PSCNT<15:8> |       |       |       |       |       |       |       |
| bit 15      |       |       |       |       |       |       | bit 8 |

|            |       |       |       |       |       |       |       |
|------------|-------|-------|-------|-------|-------|-------|-------|
| R/W-0      | R/W-0 | R/W-0 | R/W-0 | R/W-0 | R/W-0 | R/W-0 | R/W-0 |
| PSCNT<7:0> |       |       |       |       |       |       |       |
| bit 7      |       |       |       |       |       |       | bit 0 |

### Legend:

R = Readable bit

W = Writable bit

U = Unimplemented bit, read as '0'

-n = Value at POR

'1' = Bit is set

'0' = Bit is cleared

x = Bit is unknown

bit 15-0 **PSCNT<15:0>**: Lower DMT Instruction Count Value Configuration Status bits  
This is always the value of the FDMTCNTL Configuration register.

## REGISTER 14-8: DMT PSCNTH: DMT POST CONFIGURE COUNT STATUS REGISTER HIGH

|              |       |       |       |       |       |       |       |
|--------------|-------|-------|-------|-------|-------|-------|-------|
| R/W-0        | R/W-0 | R/W-0 | R/W-0 | R/W-0 | R/W-0 | R/W-0 | R/W-0 |
| PSCNT<31:24> |       |       |       |       |       |       |       |
| bit 15       |       |       |       |       |       |       | bit 8 |

|              |       |       |       |       |       |       |       |
|--------------|-------|-------|-------|-------|-------|-------|-------|
| R/W-0        | R/W-0 | R/W-0 | R/W-0 | R/W-0 | R/W-0 | R/W-0 | R/W-0 |
| PSCNT<23:16> |       |       |       |       |       |       |       |
| bit 7        |       |       |       |       |       |       | bit 0 |

### Legend:

R = Readable bit

W = Writable bit

U = Unimplemented bit, read as '0'

-n = Value at POR

'1' = Bit is set

'0' = Bit is cleared

x = Bit is unknown

bit 15-0 **PSCNT<31:16>**: Higher DMT Instruction Count Value Configuration Status bits  
This is always the value of the FDMTCNTH Configuration register.

# dsPIC33EVXXGM00X/10X FAMILY

## REGISTER 14-9: DMTPSINTVL: DMT POST CONFIGURE INTERVAL STATUS REGISTER LOW

|              |       |       |       |       |       |       |       |
|--------------|-------|-------|-------|-------|-------|-------|-------|
| R/W-0        | R/W-0 | R/W-0 | R/W-0 | R/W-0 | R/W-0 | R/W-0 | R/W-0 |
| PSINTV<15:8> |       |       |       |       |       |       |       |
| bit 15       |       |       |       | bit 8 |       |       |       |

|             |       |       |       |       |       |       |       |
|-------------|-------|-------|-------|-------|-------|-------|-------|
| R/W-0       | R/W-0 | R/W-0 | R/W-0 | R/W-0 | R/W-0 | R/W-0 | R/W-0 |
| PSINTV<7:0> |       |       |       |       |       |       |       |
| bit 7       |       |       |       | bit 0 |       |       |       |

### Legend:

R = Readable bit                      W = Writable bit                      U = Unimplemented bit, read as '0'  
 -n = Value at POR                      '1' = Bit is set                      '0' = Bit is cleared                      x = Bit is unknown

bit 15-0                      **PSINTV<15:0>**: Lower DMT Window Interval Configuration Status bits  
 This is always the value of the FDMTINTVL Configuration register.

## REGISTER 14-10: DMTPSINTVH: DMT POST CONFIGURE INTERVAL STATUS REGISTER HIGH

|               |       |       |       |       |       |       |       |
|---------------|-------|-------|-------|-------|-------|-------|-------|
| R/W-0         | R/W-0 | R/W-0 | R/W-0 | R/W-0 | R/W-0 | R/W-0 | R/W-0 |
| PSINTV<31:24> |       |       |       |       |       |       |       |
| bit 15        |       |       |       | bit 8 |       |       |       |

|               |       |       |       |       |       |       |       |
|---------------|-------|-------|-------|-------|-------|-------|-------|
| R/W-0         | R/W-0 | R/W-0 | R/W-0 | R/W-0 | R/W-0 | R/W-0 | R/W-0 |
| PSINTV<23:16> |       |       |       |       |       |       |       |
| bit 7         |       |       |       | bit 0 |       |       |       |

### Legend:

R = Readable bit                      W = Writable bit                      U = Unimplemented bit, read as '0'  
 -n = Value at POR                      '1' = Bit is set                      '0' = Bit is cleared                      x = Bit is unknown

bit 15-0                      **PSINTV<31:16>**: Higher DMT Window Interval Configuration Status bits  
 This is always the value of the FDMTINTVH Configuration register.

# dsPIC33EVXXGM00X/10X FAMILY

## REGISTER 14-11: DMTHOLDREG: DMT HOLD REGISTER<sup>(1)</sup>

|              |       |       |       |       |       |       |       |
|--------------|-------|-------|-------|-------|-------|-------|-------|
| R/W-0        | R/W-0 | R/W-0 | R/W-0 | R/W-0 | R/W-0 | R/W-0 | R/W-0 |
| UPRCNT<15:8> |       |       |       |       |       |       |       |
| bit 15       |       |       |       |       |       |       | bit 8 |

|             |       |       |       |       |       |       |       |
|-------------|-------|-------|-------|-------|-------|-------|-------|
| R/W-0       | R/W-0 | R/W-0 | R/W-0 | R/W-0 | R/W-0 | R/W-0 | R/W-0 |
| UPRCNT<7:0> |       |       |       |       |       |       |       |
| bit 7       |       |       |       |       |       |       | bit 0 |

**Legend:**

|                   |                  |  |
|-------------------|------------------|--|
| R = Readable bit  | W = Writable bit | U = Unimplemented bit, read as '0'           |
| -n = Value at POR | '1' = Bit is set | '0' = Bit is cleared      x = Bit is unknown |

bit 15-0      **UPRCNT<15:0>**: Value of the DMTCNTH register when DMTCNTL and DMTCNTH were Last Read bits

**Note 1:** The DMTHOLDREG register is initialized to '0' on Reset, and is only loaded when the DMTCNTL and DMTCNTH registers are read.

## 15.0 INPUT CAPTURE

**Note 1:** This data sheet summarizes the features of the dsPIC33EVXXGM00X/10X family of devices. It is not intended to be a comprehensive reference source. To complement the information in this data sheet, refer to “Input Capture” (DS70000352) in the “dsPIC33/PIC24 Family Reference Manual”, which is available from the Microchip web site ([www.microchip.com](http://www.microchip.com)).

**2:** Some registers and associated bits described in this section may not be available on all devices. Refer to **Section 4.0 “Memory Organization”** in this data sheet for device-specific register and bit information.

The input capture module is useful in applications requiring frequency (period) and pulse measurement. The dsPIC33EVXXGM00X/10X family devices support 4 input capture channels.

Key features of the input capture module include:

- Hardware-Configurable for 32-Bit Operation in All Modes by Cascading Two Adjacent modules
- Synchronous and Trigger Modes of Output Compare Operation, with up to 31 User-Selectable Trigger/Sync Sources Available
- A 4-Level FIFO Buffer for Capturing and Holding Timer Values for Several Events
- Configurable Interrupt Generation
- Up to Six Clock Sources Available for Each Module, Driving a Separate Internal 16-Bit Counter

Figure 15-1 shows a block diagram of the Input capture module.

**FIGURE 15-1: INPUT CAPTURE x MODULE BLOCK DIAGRAM**



# dsPIC33EVXXGM00X/10X FAMILY

## 15.1 Input Capture Control Registers

**REGISTER 15-1: ICxCON1: INPUT CAPTURE x CONTROL REGISTER 1**

|        |     |        |         |         |         |       |     |
|--------|-----|--------|---------|---------|---------|-------|-----|
| U-0    | U-0 | R/W-0  | R/W-0   | R/W-0   | R/W-0   | U-0   | U-0 |
| —      | —   | ICSIDL | ICTSEL2 | ICTSEL1 | ICTSEL0 | —     | —   |
| bit 15 |     |        |         |         |         | bit 8 |     |

|       |       |       |             |             |       |       |       |
|-------|-------|-------|-------------|-------------|-------|-------|-------|
| U-0   | R/W-0 | R/W-0 | R-0, HC, HS | R-0, HC, HS | R/W-0 | R/W-0 | R/W-0 |
| —     | ICI1  | ICI0  | ICOV        | ICBNE       | ICM2  | ICM1  | ICM0  |
| bit 7 |       |       |             |             |       | bit 0 |       |

|                   |                             |                                    |
|-------------------|-----------------------------|------------------------------------|
| <b>Legend:</b>    | HC = Hardware Clearable bit | HS = Hardware Settable bit         |
| R = Readable bit  | W = Writable bit            | U = Unimplemented bit, read as '0' |
| -n = Value at POR | '1' = Bit is set            | '0' = Bit is cleared               |
|                   |                             | x = Bit is unknown                 |

- bit 15-14     **Unimplemented:** Read as '0'
- bit 13        **ICSIDL:** Input Capture x Stop in Idle Mode Control bit  
               1 = Input Capture x will halt in CPU Idle mode  
               0 = Input Capture x will continue to operate in CPU Idle mode
- bit 12-10    **ICTSEL<2:0>:** Input Capture x Timer Select bits  
               111 = Peripheral clock (FP) is the clock source of the ICx  
               110 = Reserved  
               101 = Reserved  
               100 = T1CLK is the clock source of the ICx (only the synchronous clock is supported)  
               011 = T5CLK is the clock source of the ICx  
               010 = T4CLK is the clock source of the ICx  
               001 = T2CLK is the clock source of the ICx  
               000 = T3CLK is the clock source of the ICx
- bit 9-7       **Unimplemented:** Read as '0'
- bit 6-5       **ICI<1:0>:** Number of Captures per Interrupt Select bits (this field is not used if ICM<2:0> = 001 or 111)  
               11 = Interrupt on every fourth capture event  
               10 = Interrupt on every third capture event  
               01 = Interrupt on every second capture event  
               00 = Interrupt on every capture event
- bit 4         **ICOV:** Input Capture x Overflow Status Flag bit (read-only)  
               1 = Input Capture x buffer overflow has occurred  
               0 = Input Capture x buffer overflow has not occurred
- bit 3         **ICBNE:** Input Capture x Buffer Not Empty Status bit (read-only)  
               1 = Input Capture x buffer is not empty, at least one more capture value can be read  
               0 = Input Capture x buffer is empty
- bit 2-0       **ICM<2:0>:** Input Capture x Mode Select bits  
               111 = Input Capture x functions as an interrupt pin only in CPU Sleep and Idle modes (rising edge detect only, all other control bits are not applicable)  
               110 = Unused (module is disabled)  
               101 = Capture mode, every 16th rising edge (Prescaler Capture mode)  
               100 = Capture mode, every 4th rising edge (Prescaler Capture mode)  
               011 = Capture mode, every rising edge (Simple Capture mode)  
               010 = Capture mode, every falling edge (Simple Capture mode)  
               001 = Capture mode, every edge, rising and falling (Edge Detect mode (ICI<1:0>) is not used in this mode)  
               000 = Input Capture x module is turned off

# dsPIC33EVXXGM00X/10X FAMILY

## REGISTER 15-2: ICxCON2: INPUT CAPTURE x CONTROL REGISTER 2

|        |     |     |     |     |     |     |                     |
|--------|-----|-----|-----|-----|-----|-----|---------------------|
| U-0    | U-0 | U-0 | U-0 | U-0 | U-0 | U-0 | R/W-0               |
| —      | —   | —   | —   | —   | —   | —   | IC32 <sup>(1)</sup> |
| bit 15 |     |     |     |     |     |     | bit 8               |

|                       |                         |     |                         |                         |                         |                         |                         |
|-----------------------|-------------------------|-----|-------------------------|-------------------------|-------------------------|-------------------------|-------------------------|
| R/W-0                 | R/W-0, HS               | U-0 | R/W-0                   | R/W-1                   | R/W-1                   | R/W-0                   | R/W-1                   |
| ICTRIG <sup>(2)</sup> | TRIGSTAT <sup>(3)</sup> | —   | SYNCSEL4 <sup>(4)</sup> | SYNCSEL3 <sup>(4)</sup> | SYNCSEL2 <sup>(4)</sup> | SYNCSEL1 <sup>(4)</sup> | SYNCSEL0 <sup>(4)</sup> |
| bit 7                 |                         |     |                         |                         |                         |                         | bit 0                   |

|                   |                            |                                    |                    |
|-------------------|----------------------------|------------------------------------|--------------------|
| <b>Legend:</b>    | HS = Hardware Settable bit |                                    |                    |
| R = Readable bit  | W = Writable bit           | U = Unimplemented bit, read as '0' |                    |
| -n = Value at POR | '1' = Bit is set           | '0' = Bit is cleared               | x = Bit is unknown |

- bit 15-9     **Unimplemented:** Read as '0'
- bit 8        **IC32:** Input Capture x 32-Bit Timer Mode Select bit (Cascade mode)<sup>(1)</sup>  
               1 = Odd ICx and even ICx form a single 32-bit input capture module  
               0 = Cascade module operation is disabled
- bit 7        **ICTRIG:** Input Capture x Trigger Operation Select bit<sup>(2)</sup>  
               1 = Input source is used to trigger the input capture timer (Trigger mode)  
               0 = Input source is used to synchronize the input capture timer to the timer of another module (Synchronization mode)
- bit 6        **TRIGSTAT:** Timer Trigger Status bit<sup>(3)</sup>  
               1 = ICxTMR has been triggered and is running  
               0 = ICxTMR has not been triggered and is being held clear
- bit 5        **Unimplemented:** Read as '0'

- Note 1:** The IC32 bit in both the odd and even ICx must be set to enable Cascade mode.
- Note 2:** The input source is selected by the SYNCSEL<4:0> bits of the ICxCON2 register.
- Note 3:** This bit is set by the selected input source (selected by the SYNCSEL<4:0> bits); it can be read, set and cleared in software.
- Note 4:** Do not use the ICx module as its own sync or trigger source.
- Note 5:** This option should only be selected as a trigger source and not as a synchronization source.
- Note 6:** When the source ICx timer rolls over, then in the next clock cycle, trigger or synchronization occurs.

# dsPIC33EVXXGM00X/10X FAMILY

---

## REGISTER 15-2: ICxCON2: INPUT CAPTURE x CONTROL REGISTER 2 (CONTINUED)

bit 4-0      **SYNCSEL<4:0>**: Input Source Select for Synchronization and Trigger Operation bits<sup>(4)</sup>

- 11111 = Reserved
- 11110 = Reserved
- 11101 = Reserved
- 11100 = CTMU trigger is the source for the capture timer synchronization
- 11011 = ADC1 interrupt is the source for the capture timer synchronization<sup>(5)</sup>
- 11010 = Analog Comparator 3 is the source for the capture timer synchronization<sup>(5)</sup>
- 11001 = Analog Comparator 2 is the source for the capture timer synchronization<sup>(5)</sup>
- 11000 = Analog Comparator 1 is the source for the capture timer synchronization<sup>(5)</sup>
- 10111 = Analog Comparator 5 is the source for the capture timer synchronization<sup>(5)</sup>
- 10110 = Analog Comparator 4 is the source for the capture timer synchronization<sup>(5)</sup>
- 10101 = Reserved
- 10100 = Reserved
- 10011 = Input Capture 4 interrupt is the source for the capture timer synchronization
- 10010 = Input Capture 3 interrupt is the source for the capture timer synchronization
- 10001 = Input Capture 2 interrupt is the source for the capture timer synchronization
- 10000 = Input Capture 1 interrupt is the source for the capture timer synchronization
- 01111 = GP Timer5 is the source for the capture timer synchronization
- 01110 = GP Timer4 is the source for the capture timer synchronization
- 01101 = GP Timer3 is the source for the capture timer synchronization
- 01100 = GP Timer2 is the source for the capture timer synchronization
- 01011 = GP Timer1 is the source for the capture timer synchronization
- 01010 = Reserved
- 01001 = Reserved
- 01000 = Input Capture 4 is the source for the capture timer synchronization<sup>(6)</sup>
- 00111 = Input Capture 3 is the source for the capture timer synchronization<sup>(6)</sup>
- 00110 = Input Capture 2 is the source for the capture timer synchronization<sup>(6)</sup>
- 00101 = Input Capture 1 is the source for the capture timer synchronization<sup>(6)</sup>
- 00100 = Output Compare 4 is the source for the capture timer synchronization
- 00011 = Output Compare 3 is the source for the capture timer synchronization
- 00010 = Output Compare 2 is the source for the capture timer synchronization
- 00001 = Output Compare 1 is the source for the capture timer synchronization
- 00000 = Reserved

- Note 1:** The IC32 bit in both the odd and even ICx must be set to enable Cascade mode.
- 2:** The input source is selected by the SYNCSEL<4:0> bits of the ICxCON2 register.
- 3:** This bit is set by the selected input source (selected by the SYNCSEL<4:0> bits); it can be read, set and cleared in software.
- 4:** Do not use the ICx module as its own sync or trigger source.
- 5:** This option should only be selected as a trigger source and not as a synchronization source.
- 6:** When the source ICx timer rolls over, then in the next clock cycle, trigger or synchronization occurs.



## 16.0 OUTPUT COMPARE

**Note 1:** This data sheet summarizes the features of the dsPIC33EVXXGM00X/10X family of devices. It is not intended to be a comprehensive reference source. To complement the information in this data sheet, refer to “**Output Compare**” (DS70005157) in the “*dsPIC33/PIC24 Family Reference Manual*”, which is available from the Microchip web site ([www.microchip.com](http://www.microchip.com)).

**2:** Some registers and associated bits described in this section may not be available on all devices. Refer to **Section 4.0 “Memory Organization”** in this data sheet for device-specific register and bit information.

sources for its time base. The module compares the value of the timer with the value of one or two Compare registers, depending on the operating mode selected. The state of the output pin changes when the timer value matches the Compare register value. The output compare module generates either a single output pulse, or a sequence of output pulses, by changing the state of the output pin on the compare match events. The output compare module can also generate interrupts on compare match events and trigger DMA data transfers.

Figure 16-1 shows a block diagram of the output compare module.

**Note:** For more information on OCxR and OCxRS register restrictions, refer to the “**Output Compare**” (DS70005157) section in the “*dsPIC33/PIC24 Family Reference Manual*”.

The dsPIC33EVXXGM00X/10X family devices support up to 4 output compare modules. The output compare module can select one of eight available clock

**FIGURE 16-1: OUTPUT COMPARE x MODULE BLOCK DIAGRAM**



# dsPIC33EVXXGM00X/10X FAMILY

## 16.1 Output Compare Control Registers

**REGISTER 16-1: OCxCON1: OUTPUT COMPARE x CONTROL REGISTER 1**

|        |     |        |         |         |         |       |     |
|--------|-----|--------|---------|---------|---------|-------|-----|
| U-0    | U-0 | R/W-0  | R/W-0   | R/W-0   | R/W-0   | U-0   | U-0 |
| —      | —   | OCSIDL | OCTSEL2 | OCTSEL1 | OCTSEL0 | —     | —   |
| bit 15 |     |        |         |         |         | bit 8 |     |

|        |     |     |            |          |       |       |       |
|--------|-----|-----|------------|----------|-------|-------|-------|
| R/W-0  | U-0 | U-0 | R/W-0, HSC | R/W-0    | R/W-0 | R/W-0 | R/W-0 |
| ENFLTA | —   | —   | OCFLTA     | TRIGMODE | OCM2  | OCM1  | OCM0  |
| bit 7  |     |     |            |          |       | bit 0 |       |

|                   |                                       |                                    |                    |
|-------------------|---------------------------------------|------------------------------------|--------------------|
| <b>Legend:</b>    | HSC = Hardware Settable/Clearable bit |                                    |                    |
| R = Readable bit  | W = Writable bit                      | U = Unimplemented bit, read as '0' |                    |
| -n = Value at POR | '1' = Bit is set                      | '0' = Bit is cleared               | x = Bit is unknown |

- bit 15-14     **Unimplemented:** Read as '0'
- bit 13       **OCSIDL:** Output Compare x Stop in Idle Mode Control bit
  - 1 = Output Compare x halts in CPU Idle mode
  - 0 = Output Compare x continues to operate in CPU Idle mode
- bit 12-10    **OCTSEL<2:0>:** Output Compare x Clock Select bits
  - 111 = Peripheral clock (FP)
  - 110 = Reserved
  - 101 = Reserved
  - 100 = T1CLK is the clock source of the OCx (only the synchronous clock is supported)
  - 011 = T5CLK is the clock source of the OCx
  - 010 = T4CLK is the clock source of the OCx
  - 001 = T3CLK is the clock source of the OCx
  - 000 = T2CLK is the clock source of the OCx
- bit 9-8      **Unimplemented:** Read as '0'
- bit 7        **ENFLTA:** Output Compare x Fault A Input Enable bit
  - 1 = Output Compare Fault A (OCFA) input is enabled
  - 0 = Output Compare Fault A (OCFA) input is disabled
- bit 6-5      **Unimplemented:** Read as '0'
- bit 4        **OCFLTA:** PWM Fault A Condition Status bit
  - 1 = PWM Fault A condition on the OCFA pin has occurred
  - 0 = PWM Fault A condition on the OCFA pin has not occurred
- bit 3        **TRIGMODE:** Trigger Status Mode Select bit
  - 1 = TRIGSTAT (OCxCON2<6>) is cleared when OCxRS = OCxTMR or in software
  - 0 = TRIGSTAT is cleared only by software

**Note 1:** OCxR and OCxRS are double-buffered in PWM mode only.

## REGISTER 16-1: OCxCON1: OUTPUT COMPARE x CONTROL REGISTER 1 (CONTINUED)

- bit 2-0      **OCM<2:0>**: Output Compare x Mode Select bits
- 111 = Center-Aligned PWM mode: Output sets high when OCxTMR = OCxR and sets low when OCxTMR = OCxRS<sup>(1)</sup>
  - 110 = Edge-Aligned PWM mode: Output sets high when OCxTMR = 0 and sets low when OCxTMR = OCxR<sup>(1)</sup>
  - 101 = Double Compare Continuous Pulse mode: Initializes OCx pin low, toggles OCx state continuously on alternate matches of OCxR and OCxRS
  - 100 = Double Compare Single-Shot mode: Initializes OCx pin low, toggles OCx state on matches of OCxR and OCxRS for one cycle
  - 011 = Single Compare mode: Compare event with OCxR, continuously toggles OCx pin
  - 010 = Single Compare Single-Shot mode: Initializes OCx pin high, compare event with OCxR, forces OCx pin low
  - 001 = Single Compare Single-Shot mode: Initializes OCx pin low, compare event with OCxR, forces OCx pin high
  - 000 = Output compare channel is disabled

**Note 1:** OCxR and OCxRS are double-buffered in PWM mode only.

# dsPIC33EVXXXGM00X/10X FAMILY

## REGISTER 16-2: OCxCON2: OUTPUT COMPARE x CONTROL REGISTER 2

|        |        |          |       |     |     |     |       |
|--------|--------|----------|-------|-----|-----|-----|-------|
| R/W-0  | R/W-0  | R/W-0    | R/W-0 | U-0 | U-0 | U-0 | R/W-0 |
| FLTMD  | FLTOUT | FLTTRIEN | OCINV | —   | —   | —   | OC32  |
| bit 15 |        |          |       |     |     |     | bit 8 |

|        |           |        |          |          |          |          |          |
|--------|-----------|--------|----------|----------|----------|----------|----------|
| R/W-0  | R/W-0, HS | R/W-0  | R/W-0    | R/W-1    | R/W-1    | R/W-0    | R/W-0    |
| OCTRIG | TRIGSTAT  | OCTRIS | SYNCSEL4 | SYNCSEL3 | SYNCSEL2 | SYNCSEL1 | SYNCSEL0 |
| bit 7  |           |        |          |          |          |          | bit 0    |

|                   |                            |                                    |                    |
|-------------------|----------------------------|------------------------------------|--------------------|
| <b>Legend:</b>    | HS = Hardware Settable bit |                                    |                    |
| R = Readable bit  | W = Writable bit           | U = Unimplemented bit, read as '0' |                    |
| -n = Value at POR | '1' = Bit is set           | '0' = Bit is cleared               | x = Bit is unknown |

- bit 15      **FLTMD:** Fault Mode Select bit  
 1 = Fault mode is maintained until the Fault source is removed; the OCFLTA bit is cleared in software and a new PWM period starts  
 0 = Fault mode is maintained until the Fault source is removed and a new PWM period starts
- bit 14      **FLTOUT:** Fault Out bit  
 1 = PWM output is driven high on a Fault  
 0 = PWM output is driven low on a Fault
- bit 13      **FLTTRIEN:** Fault Output State Select bit  
 1 = OCx pin is tri-stated on a Fault condition  
 0 = OCx pin I/O state is defined by the FLTOUT bit on a Fault condition
- bit 12      **OCINV:** Output Compare x Invert bit  
 1 = OCx output is inverted  
 0 = OCx output is not inverted
- bit 11-9    **Unimplemented:** Read as '0'
- bit 8        **OC32:** Cascade Two OCx Modules Enable bit (32-bit operation)  
 1 = Cascade module operation is enabled  
 0 = Cascade module operation is disabled
- bit 7        **OCTRIG:** Output Compare x Trigger/Sync Select bit  
 1 = Triggers OCx from the source designated by the SYNCSELx bits  
 0 = Synchronizes OCx with the source designated by the SYNCSELx bits
- bit 6        **TRIGSTAT:** Timer Trigger Status bit  
 1 = Timer source has been triggered and is running  
 0 = Timer source has not been triggered and is being held clear
- bit 5        **OCTRIS:** Output Compare x Output Pin Direction Select bit  
 1 = Output Compare x is tri-stated  
 0 = Output Compare x module drives the OCx pin

- Note 1:** Do not use the OCx module as its own synchronization or trigger source.
- Note 2:** When the OCy module is turned off, it sends a trigger out signal. If the OCx module uses the OCy module as a trigger source, the OCy module must be unselected as a trigger source prior to disabling it.

## REGISTER 16-2: OCxCON2: OUTPUT COMPARE x CONTROL REGISTER 2 (CONTINUED)

bit 4-0      **SYNCSEL<4:0>**: Trigger/Synchronization Source Selection bits

- 11111 = OCxRS compare event is used for synchronization
- 11110 = INT2 is the source for compare timer synchronization
- 11101 = INT1 is the source for compare timer synchronization
- 11100 = CTMU Trigger is the source for compare timer synchronization
- 11011 = ADC1 interrupt is the source for compare timer synchronization
- 11010 = Analog Comparator 3 is the source for compare timer synchronization
- 11001 = Analog Comparator 2 is the source for compare timer synchronization
- 11000 = Analog Comparator 1 is the source for compare timer synchronization
- 10111 = Analog Comparator 5 is the source for compare timer synchronization
- 10110 = Analog Comparator 4 is the source for compare timer synchronization
- 10101 = Capture timer is unsynchronized
- 10100 = Capture timer is unsynchronized
- 10011 = Input Capture 4 interrupt is the source for compare timer synchronization
- 10010 = Input Capture 3 interrupt is the source for compare timer synchronization
- 10001 = Input Capture 2 interrupt is the source for compare timer synchronization
- 10000 = Input Capture 1 interrupt is the source for compare timer synchronization
- 01111 = GP Timer5 is the source for compare timer synchronization
- 01110 = GP Timer4 is the source for compare timer synchronization
- 01101 = GP Timer3 is the source for compare timer synchronization
- 01100 = GP Timer2 is the source for compare timer synchronization
- 01011 = GP Timer1 is the source for compare timer synchronization
- 01010 = Compare timer is unsynchronized
- 01001 = Compare timer is unsynchronized
- 01000 = Capture timer is unsynchronized
- 00101 = Compare timer is unsynchronized
- 00100 = Output Compare 4 is the source for compare timer synchronization<sup>(1,2)</sup>
- 00011 = Output Compare 3 is the source for compare timer synchronization<sup>(1,2)</sup>
- 00010 = Output Compare 2 is the source for compare timer synchronization<sup>(1,2)</sup>
- 00001 = Output Compare 1 is the source for compare timer synchronization<sup>(1,2)</sup>
- 00000 = Compare timer is unsynchronized

**Note 1:** Do not use the OCx module as its own synchronization or trigger source.

**2:** When the OCy module is turned off, it sends a trigger out signal. If the OCx module uses the OCy module as a trigger source, the OCy module must be unselected as a trigger source prior to disabling it.

# dsPIC33EVXXGM00X/10X FAMILY

---

---

NOTES:

## 17.0 HIGH-SPEED PWM MODULE

**Note 1:** This data sheet summarizes the features of the dsPIC33EVXXGM00X/10X family of devices. It is not intended to be a comprehensive reference source. To complement the information in this data sheet, refer to “**High-Speed PWM**” (DS70645) in the “*dsPIC33/PIC24 Family Reference Manual*”, which is available from the Microchip web site ([www.microchip.com](http://www.microchip.com)).

**2:** Some registers and associated bits described in this section may not be available on all devices. Refer to **Section 4.0 “Memory Organization”** in this data sheet for device-specific register and bit information.

The dsPIC33EVXXGM00X/10X family devices support a dedicated Pulse-Width Modulation (PWM) module with up to 6 outputs.

The high-speed PWMx module consists of the following major features:

- Three PWM Generators
- Two PWM Outputs per PWM Generator
- Individual Period and Duty Cycle for each PWM Pair
- Duty Cycle, Dead Time, Phase Shift and Frequency Resolution of 8.32 ns
- Independent Fault and Current-Limit Inputs for Six PWM Outputs
- Redundant Output
- Center-Aligned PWM mode
- Output Override Control
- Chop mode (also known as Gated mode)
- Special Event Trigger
- Prescaler for Input Clock
- PWMxL and PWMxH Output Pin Swapping
- Independent PWM Frequency, Duty Cycle and Phase-Shift Changes for each PWM Generator
- Dead-Time Compensation
- Enhanced Leading-Edge Blanking (LEB) Functionality
- Frequency Resolution Enhancement
- PWM Capture Functionality

**Note:** In Edge-Aligned PWM mode, the duty cycle, dead time, phase shift and frequency resolution are 8.32 ns at 60 MIPS.

The high-speed PWMx module contains up to three PWM generators. Each PWM generator provides two PWM outputs: PWMxH and PWMxL. The master time base generator provides a synchronous signal as a common time base to synchronize the various PWM outputs. The individual PWM outputs are available on the output pins of the device. The input Fault signals and current-limit signals, when enabled, can monitor and protect the system by placing the PWM outputs into a known “safe” state.

Each PWMx can generate a trigger to the ADC module to sample the analog signal at a specific instance during the PWM period. In addition, the high-speed PWMx module also generates a Special Event Trigger to the ADC module based on the master time base.

The high-speed PWMx module can synchronize itself with an external signal or can act as a synchronizing source to any external device. The SYNC11 input pin, that utilizes PPS, can synchronize the high-speed PWMx module with an external signal. The SYNC01 pin is an output pin that provides a synchronous signal to an external device.

Figure 17-1 illustrates an architectural overview of the high-speed PWMx module and its interconnection with the CPU and other peripherals.

### 17.1 PWM Faults

The PWMx module incorporates multiple external Fault inputs as follows:

- FLT1 and FLT2, available on 28-pin, 44-pin and 64-pin packages, which are remappable using the PPS feature
- FLT3, available on 44-pin and 64-pin packages, which is available as a fixed pin
- FLT4-FLT8, available on 64-pin packages, which are available as fixed pins
- FLT32 is available on a fixed pin on all devices

These Faults provide a safe and reliable way to safely shut down the PWM outputs when the Fault input is asserted.

#### 17.1.1 PWM FAULTS AT RESET

During any Reset event, the PWMx module maintains ownership of the Class B Fault, FLT32. At Reset, this Fault is enabled in Latched mode to ensure the fail-safe power-up of the application. The application software must clear the PWM Fault before enabling the high-speed motor control PWMx module. To clear the Fault condition, the FLT32 pin must first be pulled low externally or the internal pull-down resistor in the CNPDx register can be enabled.

**Note:** The Fault mode may be changed using the FLTMOD<1:0> bits (FCLCONx<1:0>), regardless of the state of FLT32.

# dsPIC33EVXXGM00X/10X FAMILY

---

## 17.1.2 WRITE-PROTECTED REGISTERS

On dsPIC33EVXXGM00X/10X family devices, write protection is implemented for the IOCONx and FCLCONx registers. The write protection feature prevents any inadvertent writes to these registers. This protection feature can be controlled by the PWMLOCK Configuration bit (FDEVOPT<0>). The default state of the write protection feature is enabled (PWMLOCK = 1). The write protection feature can be disabled by configuring PWMLOCK = 0.

To gain write access to these locked registers, the user application must write two consecutive values (0xABCD and 0x4321) to the PWMKEY register to perform the unlock operation. The write access to the IOCONx or FCLCONx registers must be the next SFR access following the unlock process. There can be no other SFR accesses during the unlock process and subsequent write access. To write to both the IOCONx and FCLCONx registers requires two unlock operations.

The correct unlocking sequence is described in [Example 17-1](#).

### EXAMPLE 17-1: PWM1 WRITE-PROTECTED REGISTER UNLOCK SEQUENCE

```
; FLT32 pin must be pulled low externally in order to clear and disable the fault
; Writing to FCLCON1 register requires unlock sequence

mov #0xabcd, w10      ; Load first unlock key to w10 register
mov #0x4321, w11      ; Load second unlock key to w11 register
mov #0x0000, w0       ; Load desired value of FCLCON1 register in w0
mov w10, PWMKEY       ; Write first unlock key to PWMKEY register
mov w11, PWMKEY       ; Write second unlock key to PWMKEY register
mov w0, FCLCON1       ; Write desired value to FCLCON1 register

; Set PWM ownership and polarity using the IOCON1 register
; Writing to IOCON1 register requires unlock sequence

mov #0xabcd, w10      ; Load first unlock key to w10 register
mov #0x4321, w11      ; Load second unlock key to w11 register
mov #0xF000, w0       ; Load desired value of IOCON1 register in w0
mov w10, PWMKEY       ; Write first unlock key to PWMKEY register
mov w11, PWMKEY       ; Write second unlock key to PWMKEY register
mov w0, IOCON1        ; Write desired value to IOCON1 register
```



# dsPIC33EVXXGM00X/10X FAMILY

**FIGURE 17-1: HIGH-SPEED PWMx MODULE ARCHITECTURAL OVERVIEW**



# dsPIC33EVXXXGM00X/10X FAMILY

FIGURE 17-2: HIGH-SPEED PWMx MODULE REGISTER INTERCONNECTION DIAGRAM



## 17.2 PWM Resources

Many useful resources are provided on the main product page on the Microchip web site ([www.microchip.com](http://www.microchip.com)) for the devices listed in this data sheet. This product page contains the latest updates and additional information.

**Note:** In case the above link is not accessible, enter this URL in your browser:  
<http://www.microchip.com/wwwproducts/Devices.aspx?dDocName=en555464>

### 17.2.1 KEY RESOURCES

- **“High-Speed PWM”** (DS70645) in the *“dsPIC33/PIC24 Family Reference Manual”*
- Code Samples
- Application Notes
- Software Libraries
- Webinars
- All Related *“dsPIC33/PIC24 Family Reference Manual”* Sections
- Development Tools

# dsPIC33EVXXGM00X/10X FAMILY

## 17.3 PWMx Control Registers

### REGISTER 17-1: PTCN: PWMx TIME BASE CONTROL REGISTER

|        |     |        |          |       |                     |                        |                        |
|--------|-----|--------|----------|-------|---------------------|------------------------|------------------------|
| R/W-0  | U-0 | R/W-0  | HS-0, HC | R/W-0 | R/W-0               | R/W-0                  | R/W-0                  |
| PTEN   | —   | PTSIDL | SESTAT   | SEIEN | EIPU <sup>(1)</sup> | SYNCPOL <sup>(1)</sup> | SYNCOEN <sup>(1)</sup> |
| bit 15 |     |        |          |       |                     |                        | bit 8                  |

|                       |                         |                         |                         |                        |                        |                        |                        |
|-----------------------|-------------------------|-------------------------|-------------------------|------------------------|------------------------|------------------------|------------------------|
| R/W-0                 | R/W-0                   | R/W-0                   | R/W-0                   | R/W-0                  | R/W-0                  | R/W-0                  | R/W-0                  |
| SYNCEN <sup>(1)</sup> | SYNCSRC2 <sup>(1)</sup> | SYNCSRC1 <sup>(1)</sup> | SYNCSRC0 <sup>(1)</sup> | SEVTPS3 <sup>(1)</sup> | SEVTPS2 <sup>(1)</sup> | SEVTPS1 <sup>(1)</sup> | SEVTPS0 <sup>(1)</sup> |
| bit 7                 |                         |                         |                         |                        |                        |                        | bit 0                  |

|                   |                             |  |
|-------------------|-----------------------------|--|
| <b>Legend:</b>    | HC = Hardware Clearable bit | HS = Hardware Settable bit                   |
| R = Readable bit  | W = Writable bit            | U = Unimplemented bit, read as '0'           |
| -n = Value at POR | '1' = Bit is set            | '0' = Bit is cleared      x = Bit is unknown |

- bit 15      **PTEN:** PWMx Module Enable bit  
1 = PWMx module is enabled  
0 = PWMx module is disabled
- bit 14      **Unimplemented:** Read as '0'
- bit 13      **PTSIDL:** PWMx Time Base Stop in Idle Mode bit  
1 = PWMx time base halts in CPU Idle mode  
0 = PWMx time base runs in CPU Idle mode
- bit 12      **SESTAT:** Special Event Interrupt Status bit  
1 = Special event interrupt is pending  
0 = Special event interrupt is not pending
- bit 11      **SEIEN:** Special Event Interrupt Enable bit  
1 = Special event interrupt is enabled  
0 = Special event interrupt is disabled
- bit 10      **EIPU:** Enable Immediate Period Updates bit<sup>(1)</sup>  
1 = Active Period register is updated immediately  
0 = Active Period register updates occur on PWMx cycle boundaries
- bit 9        **SYNCPOL:** Synchronize Input and Output Polarity bit<sup>(1)</sup>  
1 = SYNCI1/SYNCO1 polarity is inverted (active-low)  
0 = SYNCI1/SYNCO1 is active-high
- bit 8        **SYNCOEN:** Primary Time Base Sync Enable bit<sup>(1)</sup>  
1 = SYNCO1 output is enabled  
0 = SYNCO1 output is disabled
- bit 7        **SYNCEN:** External Time Base Synchronization Enable bit<sup>(1)</sup>  
1 = External synchronization of primary time base is enabled  
0 = External synchronization of primary time base is disabled

**Note 1:** These bits should be changed only when PTEN = 0. In addition, when using the SYNCI1 feature, the user application must program the Period register with a value that is slightly larger than the expected period of the external synchronization input signal.

# dsPIC33EVXXGM00X/10X FAMILY

## REGISTER 17-1: PTCO<sub>N</sub>: PWM<sub>x</sub> TIME BASE CONTROL REGISTER (CONTINUED)

- bit 6-4     **SYNCSRC<2:0>**: Synchronous Source Selection bits<sup>(1)</sup>  
           111 = Reserved  
           •  
           •  
           100 = Reserved  
           011 = Reserved  
           010 = Reserved  
           001 = Reserved  
           000 = SYNC11 input from PPS
- bit 3-0     **SEVTPS<3:0>**: Special Event Trigger Output Postscaler Select bits<sup>(1)</sup>  
           1111 = 1:16 postscaler generates a Special Event Trigger on every sixteenth compare match event  
           •  
           •  
           •  
           0001 = 1:2 postscaler generates a Special Event Trigger on every second compare match event  
           0000 = 1:1 postscaler generates a Special Event Trigger on every compare match event

**Note 1:** These bits should be changed only when PTEN = 0. In addition, when using the SYNC11 feature, the user application must program the Period register with a value that is slightly larger than the expected period of the external synchronization input signal.

## REGISTER 17-2: PTCO<sub>N2</sub>: PWM<sub>x</sub> PRIMARY MASTER CLOCK DIVIDER SELECT REGISTER

|        |     |     |     |     |     |     |       |
|--------|-----|-----|-----|-----|-----|-----|-------|
| U-0    | U-0 | U-0 | U-0 | U-0 | U-0 | U-0 | U-0   |
| —      | —   | —   | —   | —   | —   | —   | —     |
| bit 15 |     |     |     |     |     |     | bit 8 |

|       |     |     |     |     |                             |       |       |
|-------|-----|-----|-----|-----|-----------------------------|-------|-------|
| U-0   | U-0 | U-0 | U-0 | U-0 | R/W-0                       | R/W-0 | R/W-0 |
| —     | —   | —   | —   | —   | PCLKDIV<2:0> <sup>(1)</sup> |       |       |
| bit 7 |     |     |     |     |                             | bit 0 |       |

**Legend:**

|                   |                  |   |
|-------------------|------------------|---|
| R = Readable bit  | W = Writable bit | U = Unimplemented bit, read as '0'          |
| -n = Value at POR | '1' = Bit is set | '0' = Bit is cleared     x = Bit is unknown |

- bit 15-3    **Unimplemented:** Read as '0'
- bit 2-0     **PCLKDIV<2:0>**: PWM<sub>x</sub> Input Clock Prescaler (Divider) Select bits<sup>(1)</sup>  
           111 = Reserved  
           110 = Divide-by-64  
           101 = Divide-by-32  
           100 = Divide-by-16  
           011 = Divide-by-8  
           010 = Divide-by-4  
           001 = Divide-by-2  
           000 = Divide-by-1, maximum PWM<sub>x</sub> timing resolution (power-on default)

**Note 1:** These bits should be changed only when PTEN = 0. Changing the clock selection during operation will yield unpredictable results.

# dsPIC33EVXXGM00X/10X FAMILY

## REGISTER 17-3: PTPER: PWM<sub>x</sub> PRIMARY MASTER TIME BASE PERIOD REGISTER

|             |       |       |       |       |       |       |       |
|-------------|-------|-------|-------|-------|-------|-------|-------|
| R/W-1       | R/W-1 | R/W-1 | R/W-1 | R/W-1 | R/W-1 | R/W-1 | R/W-1 |
| PTPER<15:8> |       |       |       |       |       |       |       |
| bit 15      |       |       |       | bit 8 |       |       |       |

|            |       |       |       |       |       |       |       |
|------------|-------|-------|-------|-------|-------|-------|-------|
| R/W-1      | R/W-1 | R/W-1 | R/W-1 | R/W-1 | R/W-0 | R/W-0 | R/W-0 |
| PTPER<7:0> |       |       |       |       |       |       |       |
| bit 7      |       |       |       | bit 0 |       |       |       |

### Legend:

R = Readable bit                      W = Writable bit                      U = Unimplemented bit, read as '0'  
 -n = Value at POR                      '1' = Bit is set                      '0' = Bit is cleared                      x = Bit is unknown

bit 15-0                      **PTPER<15:0>**: Primary Master Time Base (PMTMR) Period Value bits

## REGISTER 17-4: SEVTCMP: PWM<sub>x</sub> PRIMARY SPECIAL EVENT COMPARE REGISTER

|               |       |       |       |       |       |       |       |
|---------------|-------|-------|-------|-------|-------|-------|-------|
| R/W-0         | R/W-0 | R/W-0 | R/W-0 | R/W-0 | R/W-0 | R/W-0 | R/W-0 |
| SEVTCMP<15:8> |       |       |       |       |       |       |       |
| bit 15        |       |       |       | bit 8 |       |       |       |

|              |       |       |       |       |       |       |       |
|--------------|-------|-------|-------|-------|-------|-------|-------|
| R/W-0        | R/W-0 | R/W-0 | R/W-0 | R/W-0 | R/W-0 | R/W-0 | R/W-0 |
| SEVTCMP<7:0> |       |       |       |       |       |       |       |
| bit 7        |       |       |       | bit 0 |       |       |       |

### Legend:

R = Readable bit                      W = Writable bit                      U = Unimplemented bit, read as '0'  
 -n = Value at POR                      '1' = Bit is set                      '0' = Bit is cleared                      x = Bit is unknown

bit 15-0                      **SEVTCMP<15:0>**: Special Event Compare Count Value bits

# dsPIC33EVXXGM00X/10X FAMILY

## REGISTER 17-5: CHOP: PWMx CHOP CLOCK GENERATOR REGISTER

|          |     |     |     |     |     |          |          |
|----------|-----|-----|-----|-----|-----|----------|----------|
| R/W-0    | U-0 | U-0 | U-0 | U-0 | U-0 | R/W-0    | R/W-0    |
| CHPCLKEN | —   | —   | —   | —   | —   | CHOPCLK9 | CHOPCLK8 |
| bit 15   |     |     |     |     |     | bit 8    |          |

|          |          |          |          |          |          |          |          |
|----------|----------|----------|----------|----------|----------|----------|----------|
| R/W-0    | R/W-0    | R/W-0    | R/W-0    | R/W-0    | R/W-0    | R/W-0    | R/W-0    |
| CHOPCLK7 | CHOPCLK6 | CHOPCLK5 | CHOPCLK4 | CHOPCLK3 | CHOPCLK2 | CHOPCLK1 | CHOPCLK0 |
| bit 7    |          |          |          |          |          |          | bit 0    |

### Legend:

R = Readable bit                      W = Writable bit                      U = Unimplemented bit, read as '0'  
 -n = Value at POR                      '1' = Bit is set                      '0' = Bit is cleared                      x = Bit is unknown

- bit 15                      **CHPCLKEN:** Enable Chop Clock Generator bit  
                                     1 = Chop clock generator is enabled  
                                     0 = Chop clock generator is disabled
- bit 14-10                      **Unimplemented:** Read as '0'
- bit 9-0                      **CHOPCLK<9:0>:** Chop Clock Divider bits  
                                     The frequency of the chop clock signal is given by the following expression:  
                                     Chop Frequency = (FP/PCLKDIV<2:0>)/(CHOPCLK<9:0> + 1)

## REGISTER 17-6: MDC: PWMx MASTER DUTY CYCLE REGISTER

|           |       |       |       |       |       |       |       |
|-----------|-------|-------|-------|-------|-------|-------|-------|
| R/W-0     | R/W-0 | R/W-0 | R/W-0 | R/W-0 | R/W-0 | R/W-0 | R/W-0 |
| MDC<15:8> |       |       |       |       |       |       |       |
| bit 15    |       |       |       |       |       | bit 8 |       |

|          |       |       |       |       |       |       |       |
|----------|-------|-------|-------|-------|-------|-------|-------|
| R/W-0    | R/W-0 | R/W-0 | R/W-0 | R/W-0 | R/W-0 | R/W-0 | R/W-0 |
| MDC<7:0> |       |       |       |       |       |       |       |
| bit 7    |       |       |       |       |       |       | bit 0 |

### Legend:

R = Readable bit                      W = Writable bit                      U = Unimplemented bit, read as '0'  
 -n = Value at POR                      '1' = Bit is set                      '0' = Bit is cleared                      x = Bit is unknown

- bit 15-0                      **MDC<15:0>:** PWMx Master Duty Cycle Value bits

# dsPIC33EVXXXGM00X/10X FAMILY

## REGISTER 17-7: PWMCONx: PWMx CONTROL REGISTER

|                        |                       |          |         |        |         |                    |                     |
|------------------------|-----------------------|----------|---------|--------|---------|--------------------|---------------------|
| HS-0, HC               | HS-0, HC              | HS-0, HC | R/W-0   | R/W-0  | R/W-0   | R/W-0              | R/W-0               |
| FLTSTAT <sup>(1)</sup> | CLSTAT <sup>(1)</sup> | TRGSTAT  | FLTIEEN | CLIEEN | TRGIEEN | ITB <sup>(2)</sup> | MDCS <sup>(2)</sup> |
| bit 15                 |                       |          |         |        |         | bit 8              |                     |

|       |       |                     |     |     |                      |                      |                    |
|-------|-------|---------------------|-----|-----|----------------------|----------------------|--------------------|
| R/W-0 | R/W-0 | R/W-0               | U-0 | U-0 | R/W-0                | R/W-0                | R/W-0              |
| DTC1  | DTC0  | DTCP <sup>(3)</sup> | —   | —   | CAM <sup>(2,4)</sup> | XPRES <sup>(5)</sup> | IUE <sup>(2)</sup> |
| bit 7 |       |                     |     |     |                      | bit 0                |                    |

|                   |                             |  |
|-------------------|-----------------------------|--|
| <b>Legend:</b>    | HC = Hardware Clearable bit | HS = Hardware Settable bit                   |
| R = Readable bit  | W = Writable bit            | U = Unimplemented bit, read as '0'           |
| -n = Value at POR | '1' = Bit is set            | '0' = Bit is cleared      x = Bit is unknown |

- bit 15      **FLTSTAT:** Fault Interrupt Status bit<sup>(1)</sup>  
 1 = Fault interrupt is pending  
 0 = Fault interrupt is not pending  
 This bit is cleared by setting FLTIEEN = 0.
- bit 14      **CLSTAT:** Current-Limit Interrupt Status bit<sup>(1)</sup>  
 1 = Current-limit interrupt is pending  
 0 = Current-limit interrupt is not pending  
 This bit is cleared by setting CLIEEN = 0.
- bit 13      **TRGSTAT:** Trigger Interrupt Status bit  
 1 = Trigger interrupt is pending  
 0 = Trigger interrupt is not pending  
 This bit is cleared by setting TRGIEEN = 0.
- bit 12      **FLTIEEN:** Fault Interrupt Enable bit  
 1 = Fault interrupt is enabled  
 0 = Fault interrupt is disabled and the FLTSTAT bit is cleared
- bit 11      **CLIEEN:** Current-Limit Interrupt Enable bit  
 1 = Current-limit interrupt is enabled  
 0 = Current-limit interrupt is disabled and the CLSTAT bit is cleared
- bit 10      **TRGIEEN:** Trigger Interrupt Enable bit  
 1 = Trigger event generates an interrupt request  
 0 = Trigger event interrupts are disabled and the TRGSTAT bit is cleared
- bit 9        **ITB:** Independent Time Base Mode bit<sup>(2)</sup>  
 1 = PHASEx register provides time base period for this PWM generator  
 0 = PTPER register provides timing for this PWM generator
- bit 8        **MDCS:** Master Duty Cycle Register Select bit<sup>(2)</sup>  
 1 = MDC register provides duty cycle information for this PWM generator  
 0 = PDCx register provides duty cycle information for this PWM generator

- Note 1:** Software must clear the interrupt status here and in the corresponding IFSx bit in the interrupt controller.
- Note 2:** These bits should not be changed after the PWMx is enabled (PTEN = 1).
- Note 3:** DTC<1:0> = 11 for DTCP to be effective; else, DTCP is ignored.
- Note 4:** The Independent Time Base (ITB = 1) mode must be enabled to use Center-Aligned mode. If ITB = 0, the CAM bit is ignored.
- Note 5:** To operate in External Period Reset mode, the ITB bit must be '1' and the CLMOD bit in the FCLCONx register must be '0'.



## REGISTER 17-7: PWMCONx: PWMx CONTROL REGISTER (CONTINUED)

|         |  |
|---------|--|
| bit 7-6 | <b>DTC&lt;1:0&gt;</b> : Dead-Time Control bits<br>11 = Dead-Time Compensation mode<br>10 = Dead-time function is disabled<br>01 = Negative dead time is actively applied for Complementary Output mode<br>00 = Positive dead time is actively applied for all Output modes   |
| bit 5   | <b>DTCP</b> : Dead-Time Compensation Polarity bit <sup>(3)</sup><br><u>When Set to '1'</u> :<br>If DTCMPx = 0, PWMxL is shortened and PWMxH is lengthened.<br>If DTCMPx = 1, PWMxH is shortened and PWMxL is lengthened.<br><u>When Set to '0'</u> :<br>If DTCMPx = 0, PWMxH is shortened and PWMxL is lengthened.<br>If DTCMPx = 1, PWMxL is shortened and PWMxH is lengthened. |
| bit 4-3 | <b>Unimplemented</b> : Read as '0'   |
| bit 2   | <b>CAM</b> : Center-Aligned Mode Enable bit <sup>(2,4)</sup><br>1 = Center-Aligned mode is enabled<br>0 = Edge-Aligned mode is enabled   |
| bit 1   | <b>XPRES</b> : External PWMx Reset Control bit <sup>(5)</sup><br>1 = Current-limit source resets the time base for this PWM generator if it is in Independent Time Base mode<br>0 = External pins do not affect PWMx time base   |
| bit 0   | <b>IUE</b> : Immediate Update Enable bit <sup>(2)</sup><br>1 = Updates to the active MDC/PDCx/DTRx/ALTDTRx/PHASEx registers are immediate<br>0 = Updates to the active MDC/PDCx/DTRx/ALTDTRx/PHASEx registers are synchronized to the PWMx period boundary   |

- Note 1:** Software must clear the interrupt status here and in the corresponding IFSx bit in the interrupt controller.
- 2:** These bits should not be changed after the PWMx is enabled (PTEN = 1).
- 3:** DTC<1:0> = 11 for DTCP to be effective; else, DTCP is ignored.
- 4:** The Independent Time Base (ITB = 1) mode must be enabled to use Center-Aligned mode. If ITB = 0, the CAM bit is ignored.
- 5:** To operate in External Period Reset mode, the ITB bit must be '1' and the CLMOD bit in the FCLCONx register must be '0'.

# dsPIC33EVXXGM00X/10X FAMILY

## REGISTER 17-8: PDCx: PWMx GENERATOR DUTY CYCLE REGISTER

|            |       |       |       |       |       |       |       |
|------------|-------|-------|-------|-------|-------|-------|-------|
| R/W-0      | R/W-0 | R/W-0 | R/W-0 | R/W-0 | R/W-0 | R/W-0 | R/W-0 |
| PDCx<15:8> |       |       |       |       |       |       |       |
| bit 15     |       |       |       | bit 8 |       |       |       |

|           |       |       |       |       |       |       |       |
|-----------|-------|-------|-------|-------|-------|-------|-------|
| R/W-0     | R/W-0 | R/W-0 | R/W-0 | R/W-0 | R/W-0 | R/W-0 | R/W-0 |
| PDCx<7:0> |       |       |       |       |       |       |       |
| bit 7     |       |       |       | bit 0 |       |       |       |

**Legend:**

R = Readable bit                      W = Writable bit                      U = Unimplemented bit, read as '0'  
 -n = Value at POR                      '1' = Bit is set                      '0' = Bit is cleared                      x = Bit is unknown

bit 15-0                      **PDCx<15:0>**: PWMx Generator Duty Cycle Value bits

## REGISTER 17-9: PHASEx: PWMx PRIMARY PHASE-SHIFT REGISTER

|              |       |       |       |       |       |       |       |
|--------------|-------|-------|-------|-------|-------|-------|-------|
| R/W-0        | R/W-0 | R/W-0 | R/W-0 | R/W-0 | R/W-0 | R/W-0 | R/W-0 |
| PHASEx<15:8> |       |       |       |       |       |       |       |
| bit 15       |       |       |       | bit 8 |       |       |       |

|             |       |       |       |       |       |       |       |
|-------------|-------|-------|-------|-------|-------|-------|-------|
| R/W-0       | R/W-0 | R/W-0 | R/W-0 | R/W-0 | R/W-0 | R/W-0 | R/W-0 |
| PHASEx<7:0> |       |       |       |       |       |       |       |
| bit 7       |       |       |       | bit 0 |       |       |       |

**Legend:**

R = Readable bit                      W = Writable bit                      U = Unimplemented bit, read as '0'  
 -n = Value at POR                      '1' = Bit is set                      '0' = Bit is cleared                      x = Bit is unknown

bit 15-0                      **PHASEx<15:0>**: PWMx Phase-Shift Value or Independent Time Base Period for the PWM Generator bits

**Note 1:** If ITB (PWMCONx<9>) = 0, the following applies based on the mode of operation:  
 Complementary, Redundant and Push-Pull Output modes (PMOD<1:0> (IOCONx<11:10>) = 00, 01 or 10), PHASEx<15:0> = Phase-shift value for PWMxH and PWMxL outputs.

**2:** If ITB (PWMCONx<9>) = 1, the following applies based on the mode of operation:  
 Complementary, Redundant and Push-Pull Output modes (PMOD<1:0> (IOCONx<11:10>) = 00, 01 or 10), PHASEx<15:0> = Independent Time Base period value for PWMxH and PWMxL.

# dsPIC33EVXXGM00X/10X FAMILY

## REGISTER 17-10: DTRx: PWMx DEAD-TIME REGISTER

|        |     |            |       |       |       |       |       |
|--------|-----|------------|-------|-------|-------|-------|-------|
| U-0    | U-0 | R/W-0      | R/W-0 | R/W-0 | R/W-0 | R/W-0 | R/W-0 |
| —      | —   | DTRx<13:8> |       |       |       |       |       |
| bit 15 |     |            |       |       |       |       | bit 8 |

|           |       |       |       |       |       |       |       |
|-----------|-------|-------|-------|-------|-------|-------|-------|
| R/W-0     | R/W-0 | R/W-0 | R/W-0 | R/W-0 | R/W-0 | R/W-0 | R/W-0 |
| DTRx<7:0> |       |       |       |       |       |       |       |
| bit 7     |       |       |       |       |       |       | bit 0 |

**Legend:**  
 R = Readable bit                      W = Writable bit                      U = Unimplemented bit, read as '0'  
 -n = Value at POR                      '1' = Bit is set                      '0' = Bit is cleared                      x = Bit is unknown

bit 15-14      **Unimplemented:** Read as '0'  
 bit 13-0      **DTRx<13:0>:** Unsigned 14-Bit Dead-Time Value for PWMx Dead-Time Unit bits

## REGISTER 17-11: ALTDTRx: PWMx ALTERNATE DEAD-TIME REGISTER

|        |     |               |       |       |       |       |       |
|--------|-----|---------------|-------|-------|-------|-------|-------|
| U-0    | U-0 | R/W-0         | R/W-0 | R/W-0 | R/W-0 | R/W-0 | R/W-0 |
| —      | —   | ALTDTRx<13:8> |       |       |       |       |       |
| bit 15 |     |               |       |       |       |       | bit 8 |

|              |       |       |       |       |       |       |       |
|--------------|-------|-------|-------|-------|-------|-------|-------|
| R/W-0        | R/W-0 | R/W-0 | R/W-0 | R/W-0 | R/W-0 | R/W-0 | R/W-0 |
| ALTDTRx<7:0> |       |       |       |       |       |       |       |
| bit 7        |       |       |       |       |       |       | bit 0 |

**Legend:**  
 R = Readable bit                      W = Writable bit                      U = Unimplemented bit, read as '0'  
 -n = Value at POR                      '1' = Bit is set                      '0' = Bit is cleared                      x = Bit is unknown

bit 15-14      **Unimplemented:** Read as '0'  
 bit 13-0      **ALTDTRx<13:0>:** Unsigned 14-Bit Alternate Dead-Time Value for PWMx Dead-Time Unit bits

# dsPIC33EVXXGM00X/10X FAMILY

## REGISTER 17-12: TRGCONx: PWMx TRIGGER CONTROL REGISTER

|         |         |         |         |     |     |     |       |
|---------|---------|---------|---------|-----|-----|-----|-------|
| R/W-0   | R/W-0   | R/W-0   | R/W-0   | U-0 | U-0 | U-0 | U-0   |
| TRGDIV3 | TRGDIV2 | TRGDIV1 | TRGDIV0 | —   | —   | —   | —     |
| bit 15  |         |         |         |     |     |     | bit 8 |

|       |     |                        |                        |                        |                        |                        |                        |
|-------|-----|------------------------|------------------------|------------------------|------------------------|------------------------|------------------------|
| U-0   | U-0 | R/W-0                  | R/W-0                  | R/W-0                  | R/W-0                  | R/W-0                  | R/W-0                  |
| —     | —   | TRGSTR5 <sup>(1)</sup> | TRGSTR4 <sup>(1)</sup> | TRGSTR3 <sup>(1)</sup> | TRGSTR2 <sup>(1)</sup> | TRGSTR1 <sup>(1)</sup> | TRGSTR0 <sup>(1)</sup> |
| bit 7 |     |                        |                        |                        |                        |                        | bit 0                  |

### Legend:

|                   |                  |                                    |
|-------------------|------------------|------------------------------------|
| R = Readable bit  | W = Writable bit | U = Unimplemented bit, read as '0' |
| -n = Value at POR | '1' = Bit is set | '0' = Bit is cleared               |
|                   |                  | x = Bit is unknown                 |

bit 15-12 **TRGDIV<3:0>**: Trigger Output Divider bits

1111 = Triggers output for every 16th trigger event  
 1110 = Triggers output for every 15th trigger event  
 1101 = Triggers output for every 14th trigger event  
 1100 = Triggers output for every 13th trigger event  
 1011 = Triggers output for every 12th trigger event  
 1010 = Triggers output for every 11th trigger event  
 1001 = Triggers output for every 10th trigger event  
 1000 = Triggers output for every 9th trigger event  
 0111 = Triggers output for every 8th trigger event  
 0110 = Triggers output for every 7th trigger event  
 0101 = Triggers output for every 6th trigger event  
 0100 = Triggers output for every 5th trigger event  
 0011 = Triggers output for every 4th trigger event  
 0010 = Triggers output for every 3rd trigger event  
 0001 = Triggers output for every 2nd trigger event  
 0000 = Triggers output for every trigger event

bit 11-6 **Unimplemented**: Read as '0'

bit 5-0 **TRGSTR<5:0>**: Trigger Postscaler Start Enable Select bits<sup>(1)</sup>

111111 = Waits 63 PWM cycles before generating the first trigger event after the module is enabled  
 •  
 •  
 •  
 000010 = Waits 2 PWM cycles before generating the first trigger event after the module is enabled  
 000001 = Waits 1 PWM cycle before generating the first trigger event after the module is enabled  
 000000 = Waits 0 PWM cycles before generating the first trigger event after the module is enabled

**Note 1:** The secondary PWM generator cannot generate PWMx trigger interrupts.

# dsPIC33EVXXGM00X/10X FAMILY

## REGISTER 17-13: IOCONx: PWMx I/O CONTROL REGISTER<sup>(2)</sup>

|        |       |       |       |                      |                      |        |        |
|--------|-------|-------|-------|----------------------|----------------------|--------|--------|
| R/W-1  | R/W-1 | R/W-0 | R/W-0 | R/W-0                | R/W-0                | R/W-0  | R/W-0  |
| PENH   | PENL  | POLH  | POLL  | PMOD1 <sup>(1)</sup> | PMOD0 <sup>(1)</sup> | OVRENH | OVRENL |
| bit 15 |       |       |       |                      |                      | bit 8  |        |

|         |         |         |         |        |        |       |       |
|---------|---------|---------|---------|--------|--------|-------|-------|
| R/W-0   | R/W-0   | R/W-0   | R/W-0   | R/W-0  | R/W-0  | R/W-0 | R/W-0 |
| OVRDAT1 | OVRDAT0 | FLTDAT1 | FLTDAT0 | CLDAT1 | CLDAT0 | SWAP  | OSYNC |
| bit 7   |         |         |         |        |        | bit 0 |       |

### Legend:

R = Readable bit                      W = Writable bit                      U = Unimplemented bit, read as '0'  
 -n = Value at POR                      '1' = Bit is set                      '0' = Bit is cleared                      x = Bit is unknown

- bit 15            **PENH:** PWMxH Output Pin Ownership bit  
                   1 = PWMx module controls the PWMxH pin  
                   0 = GPIO module controls the PWMxH pin
- bit 14            **PENL:** PWMxL Output Pin Ownership bit  
                   1 = PWMx module controls the PWMxL pin  
                   0 = GPIO module controls the PWMxL pin
- bit 13            **POLH:** PWMxH Output Pin Polarity bit  
                   1 = PWMxH pin is active-low  
                   0 = PWMxH pin is active-high
- bit 12            **POLL:** PWMxL Output Pin Polarity bit  
                   1 = PWMxL pin is active-low  
                   0 = PWMxL pin is active-high
- bit 11-10        **PMOD<1:0>:** PWMx I/O Pin Mode bits<sup>(1)</sup>  
                   11 = Reserved; do not use  
                   10 = PWMx I/O pin pair is in the Push-Pull Output mode  
                   01 = PWMx I/O pin pair is in the Redundant Output mode  
                   00 = PWMx I/O pin pair is in the Complementary Output mode
- bit 9             **OVRENH:** Override Enable for PWMxH Pin bit  
                   1 = OVRDAT1 controls the output on the PWMxH pin  
                   0 = PWMx generator controls the PWMxH pin
- bit 8             **OVRENL:** Override Enable for PWMxL Pin bit  
                   1 = OVRDAT0 controls the output on the PWMxL pin  
                   0 = PWMx generator controls the PWMxL pin
- bit 7-6          **OVRDAT<1:0>:** Data for PWMxH, PWMxL Pins if Override is Enabled bits  
                   If OVRRENH = 1, PWMxH is driven to the state specified by OVRDAT1.  
                   If OVRRENL = 1, PWMxL is driven to the state specified by OVRDAT0.
- bit 5-4          **FLTDAT<1:0>:** Data for PWMxH and PWMxL Pins if FLTMOD is Enabled bits  
                   If Fault is active, PWMxH is driven to the state specified by FLTDAT1.  
                   If Fault is active, PWMxL is driven to the state specified by FLTDAT0.
- bit 3-2          **CLDAT<1:0>:** Data for PWMxH and PWMxL Pins if CLMOD is Enabled bits  
                   If current limit is active, PWMxH is driven to the state specified by CLDAT1.  
                   If current limit is active, PWMxL is driven to the state specified by CLDAT0.

- Note 1:** These bits should not be changed after the PWMx module is enabled (PTEN = 1).  
**Note 2:** If the PWMLOCK Configuration bit (FDEVOPT<0>) is a '1', the IOCONx register can only be written after the unlock sequence has been executed.

# dsPIC33EVXXGM00X/10X FAMILY

## REGISTER 17-13: IOCONx: PWMx I/O CONTROL REGISTER<sup>(2)</sup> (CONTINUED)

- bit 1            **SWAP**: SWAP PWMxH and PWMxL Pins bit  
                  1 = PWMxH output signal is connected to the PWMxL pin; PWMxL output signal is connected to the PWMxH pin  
                  0 = PWMxH and PWMxL pins are mapped to their respective pins
- bit 0            **OSYNC**: Output Override Synchronization bit  
                  1 = Output overrides through the OVRDAT<1:0> bits are synchronized to the PWMx time base  
                  0 = Output overrides through the OVRDAT<1:0> bits occur on the next CPU clock boundary

- Note 1:** These bits should not be changed after the PWMx module is enabled (PTEN = 1).  
**Note 2:** If the PWMLOCK Configuration bit (FDEVOPT<0>) is a '1', the IOCONx register can only be written after the unlock sequence has been executed.

## REGISTER 17-14: TRIGx: PWMx PRIMARY TRIGGER COMPARE VALUE REGISTER

|              |       |       |       |       |       |       |       |
|--------------|-------|-------|-------|-------|-------|-------|-------|
| R/W-0        | R/W-0 | R/W-0 | R/W-0 | R/W-0 | R/W-0 | R/W-0 | R/W-0 |
| TRGCMP<15:8> |       |       |       |       |       |       |       |
| bit 15       |       |       |       |       |       |       | bit 8 |

|             |       |       |       |       |       |       |       |
|-------------|-------|-------|-------|-------|-------|-------|-------|
| R/W-0       | R/W-0 | R/W-0 | R/W-0 | R/W-0 | R/W-0 | R/W-0 | R/W-0 |
| TRGCMP<7:0> |       |       |       |       |       |       |       |
| bit 7       |       |       |       |       |       |       | bit 0 |

**Legend:**

|                   |                  |  |
|-------------------|------------------|--|
| R = Readable bit  | W = Writable bit | U = Unimplemented bit, read as '0'                 |
| -n = Value at POR | '1' = Bit is set | '0' = Bit is cleared            x = Bit is unknown |

- bit 15-0        **TRGCMP<15:0>**: Trigger Control Value bits  
 When the primary PWMx functions in the local time base, this register contains the compare values that can trigger the ADC module.

# dsPIC33EVXXGM00X/10X FAMILY

## REGISTER 17-15: FCLCONx: PWMx FAULT CURRENT-LIMIT CONTROL REGISTER<sup>(1)</sup>

|        |        |        |        |        |        |                      |       |
|--------|--------|--------|--------|--------|--------|----------------------|-------|
| U-0    | R/W-0  | R/W-0  | R/W-0  | R/W-0  | R/W-0  | R/W-0                | R/W-0 |
| —      | CLSRC4 | CLSRC3 | CLSRC2 | CLSRC1 | CLSRC0 | CLPOL <sup>(2)</sup> | CLMOD |
| bit 15 |        |        |        |        |        |                      | bit 8 |

|         |         |         |         |         |                       |         |         |
|---------|---------|---------|---------|---------|-----------------------|---------|---------|
| R/W-1   | R/W-1   | R/W-1   | R/W-1   | R/W-1   | R/W-0                 | R/W-0   | R/W-0   |
| FLTSRC4 | FLTSRC3 | FLTSRC2 | FLTSRC1 | FLTSRC0 | FLTPOL <sup>(2)</sup> | FLTMOD1 | FLTMOD0 |
| bit 7   |         |         |         |         |                       |         | bit 0   |

### Legend:

R = Readable bit

W = Writable bit

U = Unimplemented bit, read as '0'

-n = Value at POR

'1' = Bit is set

'0' = Bit is cleared

x = Bit is unknown

bit 15 **Unimplemented:** Read as '0'

bit 14-10 **CLSRC<4:0>:** Current-Limit Control Signal Source Select for PWM Generator x bits

11111 = Fault 32

11110 = Reserved

•

•

•

01100 = Op Amp/Comparator 5

01011 = Comparator 4

01010 = Op Amp/Comparator 3

01001 = Op Amp/Comparator 2

01000 = Op Amp/Comparator 1

00111 = Fault 8

00110 = Fault 7

00101 = Fault 6

00100 = Fault 5

00011 = Fault 4

00010 = Fault 3

00001 = Fault 2

00000 = Fault 1 (**default**)

bit 9 **CLPOL:** Current-Limit Polarity for PWM Generator x bit<sup>(2)</sup>

1 = The selected current-limit source is active-low

0 = The selected current-limit source is active-high

bit 8 **CLMOD:** Current-Limit Mode Enable for PWM Generator x bit

1 = Current-Limit mode is enabled

0 = Current-Limit mode is disabled

**Note 1:** If the PWMLOCK Configuration bit (FDEVOPT<0>) is a '1', the FCLCONx register can only be written after the unlock sequence has been executed.

**2:** These bits should be changed only when PTEN = 0. Changing the clock selection during operation will yield unpredictable results.

# dsPIC33EVXXGM00X/10X FAMILY

---

## REGISTER 17-15: FCLCONx: PWMx FAULT CURRENT-LIMIT CONTROL REGISTER<sup>(1)</sup> (CONTINUED)

- bit 7-3      **FLTSRC<4:0>**: Fault Control Signal Source Select for PWM Generator x bits
- 11111 = Fault 32 (**default**)
  - 11110 = Reserved
  - 
  - 
  - 
  - 01100 = Op Amp/Comparator 5
  - 01011 = Comparator 4
  - 01010 = Op Amp/Comparator 3
  - 01001 = Op Amp/Comparator 2
  - 01000 = Op Amp/Comparator 1
  - 00111 = Fault 8
  - 00110 = Fault 7
  - 00101 = Fault 6
  - 00100 = Fault 5
  - 00011 = Fault 4
  - 00010 = Fault 3
  - 00001 = Fault 2
  - 00000 = Fault 1
- bit 2      **FLTPOL**: Fault Polarity for PWM Generator x bit<sup>(2)</sup>
- 1 = The selected Fault source is active-low
  - 0 = The selected Fault source is active-high
- bit 1-0      **FLTMOD<1:0>**: Fault Mode for PWM Generator x bits
- 11 = Fault input is disabled
  - 10 = Reserved
  - 01 = The selected Fault source forces the PWMxH, PWMxL pins to FLTDAT<1:0> values (cycle)
  - 00 = The selected Fault source forces the PWMxH, PWMxL pins to FLTDAT<1:0> values (latched condition)

**Note 1:** If the PWMLOCK Configuration bit (FDEVOPT<0>) is a '1', the FCLCONx register can only be written after the unlock sequence has been executed.

**2:** These bits should be changed only when PTEN = 0. Changing the clock selection during operation will yield unpredictable results.



# dsPIC33EVXXGM00X/10X FAMILY

## REGISTER 17-16: LEBCONx: PWMx LEADING-EDGE BLANKING CONTROL REGISTER

|        |       |       |       |          |         |       |     |
|--------|-------|-------|-------|----------|---------|-------|-----|
| R/W-0  | R/W-0 | R/W-0 | R/W-0 | R/W-0    | R/W-0   | U-0   | U-0 |
| PHR    | PHF   | PLR   | PLF   | FLTLEBEN | CLLEBEN | —     | —   |
| bit 15 |       |       |       |          |         | bit 8 |     |

|       |     |                    |                    |       |       |       |       |
|-------|-----|--------------------|--------------------|-------|-------|-------|-------|
| U-0   | U-0 | R/W-0              | R/W-0              | R/W-0 | R/W-0 | R/W-0 | R/W-0 |
| —     | —   | BCH <sup>(1)</sup> | BCL <sup>(1)</sup> | BPHH  | BPHL  | BPLH  | BPLL  |
| bit 7 |     |                    |                    |       |       | bit 0 |       |

### Legend:

|                   |                  |  |
|-------------------|------------------|--|
| R = Readable bit  | W = Writable bit | U = Unimplemented bit, read as '0'           |
| -n = Value at POR | '1' = Bit is set | '0' = Bit is cleared      x = Bit is unknown |

- bit 15      **PHR:** PWMxH Rising Edge Trigger Enable bit  
1 = Rising edge of PWMxH will trigger the Leading-Edge Blanking counter  
0 = Leading-Edge Blanking ignores the rising edge of PWMxH
- bit 14      **PHF:** PWMxH Falling Edge Trigger Enable bit  
1 = Falling edge of PWMxH will trigger the Leading-Edge Blanking counter  
0 = Leading-Edge Blanking ignores the falling edge of PWMxH
- bit 13      **PLR:** PWMxL Rising Edge Trigger Enable bit  
1 = Rising edge of PWMxL will trigger the Leading-Edge Blanking counter  
0 = Leading-Edge Blanking ignores the rising edge of PWMxL
- bit 12      **PLF:** PWMxL Falling Edge Trigger Enable bit  
1 = Falling edge of PWMxL will trigger the Leading-Edge Blanking counter  
0 = Leading-Edge Blanking ignores the falling edge of PWMxL
- bit 11      **FLTLEBEN:** Fault Input Leading-Edge Blanking Enable bit  
1 = Leading-Edge Blanking is applied to the selected Fault input  
0 = Leading-Edge Blanking is not applied to the selected Fault input
- bit 10      **CLLEBEN:** Current-Limit Input Leading-Edge Blanking Enable bit  
1 = Leading-Edge Blanking is applied to the selected current-limit input  
0 = Leading-Edge Blanking is not applied to the selected current-limit input
- bit 9-6      **Unimplemented:** Read as '0'
- bit 5      **BCH:** Blanking in Selected Blanking Signal High Enable bit<sup>(1)</sup>  
1 = State blanking (of current-limit and/or Fault input signals) when selected blanking signal is high  
0 = No blanking when the selected blanking signal is high
- bit 4      **BCL:** Blanking in Selected Blanking Signal Low Enable bit<sup>(1)</sup>  
1 = State blanking (of current-limit and/or Fault input signals) when selected blanking signal is low  
0 = No blanking when the selected blanking signal is low
- bit 3      **BPHH:** Blanking in PWMxH High Enable bit  
1 = State blanking (of current-limit and/or Fault input signals) when the PWMxH output is high  
0 = No blanking when the PWMxH output is high
- bit 2      **BPHL:** Blanking in PWMxH Low Enable bit  
1 = State blanking (of current-limit and/or Fault input signals) when the PWMxH output is low  
0 = No blanking when the PWMxH output is low
- bit 1      **BPLH:** Blanking in PWMxL High Enable bit  
1 = State blanking (of current-limit and/or Fault input signals) when the PWMxL output is high  
0 = No blanking when the PWMxL output is high
- bit 0      **BPLL:** Blanking in PWMxL Low Enable bit  
1 = State blanking (of current-limit and/or Fault input signals) when the PWMxL output is low  
0 = No blanking when the PWMxL output is low

**Note 1:** The blanking signal is selected through the BLANKSEL<3:0> bits in the AUXCONx register.

# dsPIC33EVXXGM00X/10X FAMILY

## REGISTER 17-17: LEBDLYx: PWMx LEADING-EDGE BLANKING DELAY REGISTER

|        |     |     |     |           |       |       |       |
|--------|-----|-----|-----|-----------|-------|-------|-------|
| U-0    | U-0 | U-0 | U-0 | R/W-0     | R/W-0 | R/W-0 | R/W-0 |
| —      | —   | —   | —   | LEB<11:8> |       |       |       |
| bit 15 |     |     |     |           |       |       | bit 8 |

|          |       |       |       |       |       |       |       |
|----------|-------|-------|-------|-------|-------|-------|-------|
| R/W-0    | R/W-0 | R/W-0 | R/W-0 | R/W-0 | R/W-0 | R/W-0 | R/W-0 |
| LEB<7:0> |       |       |       |       |       |       |       |
| bit 7    |       |       |       |       |       |       | bit 0 |

**Legend:**

R = Readable bit                      W = Writable bit                      U = Unimplemented bit, read as '0'  
 -n = Value at POR                      '1' = Bit is set                      '0' = Bit is cleared                      x = Bit is unknown

bit 15-12                      **Unimplemented:** Read as '0'  
 bit 11-0                      **LEB<11:0>:** Leading-Edge Blanking Delay for Current-Limit and Fault Inputs bits

# dsPIC33EVXXGM00X/10X FAMILY

## REGISTER 17-18: AUXCONx: PWMx AUXILIARY CONTROL REGISTER

|        |     |     |     |           |           |           |           |
|--------|-----|-----|-----|-----------|-----------|-----------|-----------|
| U-0    | U-0 | U-0 | U-0 | R/W-0     | R/W-0     | R/W-0     | R/W-0     |
| —      | —   | —   | —   | BLANKSEL3 | BLANKSEL2 | BLANKSEL1 | BLANKSEL0 |
| bit 15 |     |     |     |           |           |           | bit 8     |

|       |     |          |          |          |          |         |          |
|-------|-----|----------|----------|----------|----------|---------|----------|
| U-0   | U-0 | R/W-0    | R/W-0    | R/W-0    | R/W-0    | R/W-0   | R/W-0    |
| —     | —   | CHOPSEL3 | CHOPSEL2 | CHOPSEL1 | CHOPSEL0 | CHOPHEN | CHOPLLEN |
| bit 7 |     |          |          |          |          |         | bit 0    |

|                   |                  |                                    |                    |
|-------------------|------------------|------------------------------------|--------------------|
| <b>Legend:</b>    |                  |                                    |                    |
| R = Readable bit  | W = Writable bit | U = Unimplemented bit, read as '0' |                    |
| -n = Value at POR | '1' = Bit is set | '0' = Bit is cleared               | x = Bit is unknown |

- bit 15-12     **Unimplemented:** Read as '0'
- bit 11-8     **BLANKSEL<3:0>:** PWMx State Blank Source Select bits  
 The selected state blank signal will block the current-limit and/or Fault input signals (if enabled through the BCH and BCL bits in the LEBCONx register).  
 1001 = Reserved  
 •  
 •  
 •  
 0100 = Reserved  
 0011 = PWM3H is selected as the state blank source  
 0010 = PWM2H is selected as the state blank source  
 0001 = PWM1H is selected as the state blank source  
 0000 = No state blanking
- bit 7-6     **Unimplemented:** Read as '0'
- bit 5-2     **CHOPSEL<3:0>:** PWMx Chop Clock Source Select bits  
 The selected signal will enable and disable (Chop) the selected PWMx outputs.  
 1001 = Reserved  
 •  
 •  
 •  
 0100 = Reserved  
 0011 = PWM3H is selected as the chop clock source  
 0010 = PWM2H is selected as the chop clock source  
 0001 = PWM1H is selected as the chop clock source  
 0000 = Chop clock generator is selected as the chop clock source
- bit 1       **CHOPHEN:** PWMxH Output Chopping Enable bit  
 1 = PWMxH chopping function is enabled  
 0 = PWMxH chopping function is disabled
- bit 0       **CHOPLLEN:** PWMxL Output Chopping Enable bit  
 1 = PWMxL chopping function is enabled  
 0 = PWMxL chopping function is disabled

# dsPIC33EVXXGM00X/10X FAMILY

---

---

NOTES:

## 18.0 SERIAL PERIPHERAL INTERFACE (SPI)

**Note 1:** This data sheet summarizes the features of the dsPIC33EVXXGM00X/10X family of devices. It is not intended to be a comprehensive reference source. To complement the information in this data sheet, refer to “**Serial Peripheral Interface (SPI)**” (DS70005185) in the “*dsPIC33/PIC24 Family Reference Manual*”, which is available from the Microchip web site ([www.microchip.com](http://www.microchip.com)).

**2:** Some registers and associated bits described in this section may not be available on all devices. Refer to **Section 4.0 “Memory Organization”** in this data sheet for device-specific register and bit information.

The Serial Peripheral Interface (SPI) module is a synchronous serial interface, useful for communicating with other peripheral or microcontroller devices. These peripheral devices can be serial EEPROMs, shift registers, display drivers, ADC Converters, etc. The SPI module is compatible with the Motorola® SPI and SIOP interfaces.

The dsPIC33EVXXGM00X/10X device family offers two SPI modules on a single device, SPI1 and SPI2, that are functionally identical. Each SPI module includes an eight-word FIFO buffer and allows DMA bus connections. When using the SPI module with DMA, FIFO operation can be disabled.

**Note:** In this section, the SPI modules are referred to together as SPIx, or separately as SPI1 and SPI2. Special Function Registers follow a similar notation. For example, SPIxCON refers to the control register for the SPI1 and SPI2 modules.

The SPI1 module uses dedicated pins which allow for a higher speed when using SPI1. The SPI2 module takes advantage of the Peripheral Pin Select (PPS) feature to allow for greater flexibility in pin configuration of this module, but results in a lower maximum speed. See **Section 30.0 “Electrical Characteristics”** for more information.

The SPIx serial interface consists of the following four pins:

- SDIx: Serial Data Input
- SDOx: Serial Data Output
- SCKx: Shift Clock Input or Output
- $\overline{SSx}$ /FSYNCx: Active-Low Slave Select or Frame Synchronization I/O Pulse

**Note:** All of the 4 pins of the SPIx serial interface must be configured as digital in the ANSELx registers.

The SPIx module can be configured to operate with two, three or four pins. In 3-pin mode,  $\overline{SSx}$  is not used. In 2-pin mode, neither SDOx nor  $\overline{SSx}$  is used.

**Figure 18-1** illustrates the block diagram of the SPIx module in Standard and Enhanced modes.

# dsPIC33EVXXXGM00X/10X FAMILY

**FIGURE 18-1: SPIx MODULE BLOCK DIAGRAM**



## 18.1 SPI Helpful Tips

1. In Frame mode, if there is a possibility that the master may not be initialized before the slave:
  - a) If FRMPOL (SPIxCON2<13>) = 1, use a pull-down resistor on  $\overline{SSx}$ .
  - b) If FRMPOL = 0, use a pull-up resistor on  $\overline{SSx}$ .

**Note:** This insures that the first frame transmission after initialization is not shifted or corrupted.

2. In Non-Framed 3-Wire mode (i.e., not using  $\overline{SSx}$  from a master):
  - a) If CKP (SPIxCON1<6>) = 1, always place a pull-up resistor on  $\overline{SSx}$ .
  - b) If CKP = 0, always place a pull-down resistor on  $\overline{SSx}$ .

**Note:** This will insure that during power-up and initialization, the master/slave will not lose sync due to an errant SCKx transition that would cause the slave to accumulate data shift errors, for both transmit and receive, appearing as corrupted data.

3. FRMEN (SPIxCON2<15>) = 1 and SSEN (SPIxCON1<7>) = 1 are exclusive and invalid. In Frame mode, SCKx is continuous and the Frame Sync pulse is active on the  $\overline{SSx}$  pin, which indicates the start of a data frame.

**Note:** Not all third-party devices support Frame mode timing. For more information, refer to the SPI specifications in [Section 30.0 “Electrical Characteristics”](#).

4. In Master mode only, set the SMP bit (SPIxCON1<9>) to a '1' for the fastest SPI data rate possible. The SMP bit can only be set at the same time or after the MSTEN bit (SPIxCON1<5>) is set.

To avoid invalid slave read data to the master, the user's master software must ensure enough time for slave software to fill its write buffer before the user application initiates a master write/read cycle. It is always advisable to preload the SPIxBUF Transmit register in advance of the next master transaction cycle. SPIxBUF is transferred to the SPIx Shift register and is empty once the data transmission begins.

# dsPIC33EVXXGM00X/10X FAMILY

## 18.2 SPI Control Registers

**REGISTER 18-1: SPIxSTAT: SPIx STATUS AND CONTROL REGISTER**

|        |     |         |     |     |         |         |         |
|--------|-----|---------|-----|-----|---------|---------|---------|
| R/W-0  | U-0 | R/W-0   | U-0 | U-0 | R/W-0   | R/W-0   | R/W-0   |
| SPIEN  | —   | SPISIDL | —   | —   | SPIBEC2 | SPIBEC1 | SPIBEC0 |
| bit 15 |     |         |     |     |         |         | bit 8   |

|       |           |        |        |        |        |             |             |
|-------|-----------|--------|--------|--------|--------|-------------|-------------|
| R/W-0 | R/C-0, HS | R/W-0  | R/W-0  | R/W-0  | R/W-0  | R-0, HS, HC | R-0, HS, HC |
| SRMPT | SPIROV    | SRXMPT | SISEL2 | SISEL1 | SISEL0 | SPITBF      | SPIRBF      |
| bit 7 |           |        |        |        |        |             | bit 0       |

|                   |                             |                                    |
|-------------------|-----------------------------|------------------------------------|
| <b>Legend:</b>    | HC = Hardware Clearable bit | HS = Hardware Settable bit         |
| R = Readable bit  | W = Writable bit            | U = Unimplemented bit, read as '0' |
| -n = Value at POR | '1' = Bit is set            | '0' = Bit is cleared               |
|                   |                             | C = Clearable bit                  |

- bit 15      **SPIEN:** SPIx Enable bit  
 1 = Enables the SPIx module and configures SCKx, SDOx, SDIx and  $\overline{SSx}$  as serial port pins  
 0 = Disables the SPIx module
- bit 14      **Unimplemented:** Read as '0'
- bit 13      **SPISIDL:** SPIx Stop in Idle Mode bit  
 1 = Discontinues the SPIx module operation when the device enters Idle mode  
 0 = Continues the SPIx module operation in Idle mode
- bit 12-11   **Unimplemented:** Read as '0'
- bit 10-8    **SPIBEC<2:0>:** SPIx Buffer Element Count bits (valid in Enhanced Buffer mode)  
Master mode:  
 Number of SPIx transfers are pending.  
Slave mode:  
 Number of SPIx transfers are unread.
- bit 7        **SRMPT:** SPIx Shift Register (SPIxSR) Empty bit (valid in Enhanced Buffer mode)  
 1 = The SPIx Shift register is empty and ready to send or receive the data  
 0 = The SPIx Shift register is not empty
- bit 6        **SPIROV:** SPIx Receive Overflow Flag bit  
 1 = A new byte/word is completely received and discarded; the user application has not read the previous data in the SPIxBUF register  
 0 = Overflow has not occurred
- bit 5        **SRXMPT:** SPIx Receive FIFO Empty bit (valid in Enhanced Buffer mode)  
 1 = RX FIFO is empty  
 0 = RX FIFO is not empty
- bit 4-2     **SISEL<2:0>:** SPIx Buffer Interrupt Mode bits (valid in Enhanced Buffer mode)  
 111 = Interrupt when the SPIx transmit buffer is full (SPITBF bit is set)  
 110 = Interrupt when the last bit is shifted into SPIxSR, and as a result, the TX FIFO is empty  
 101 = Interrupt when the last bit is shifted out of SPIxSR and the transmit is complete  
 100 = Interrupt when one data is shifted into SPIxSR, and as a result, the TX FIFO has one open memory location  
 011 = Interrupt when the SPIx receive buffer is full (SPIRBF bit is set)  
 010 = Interrupt when the SPIx receive buffer is 3/4 or more full  
 001 = Interrupt when data is available in the SPIx receive buffer (SRMPT bit is set)  
 000 = Interrupt when the last data in the SPIx receive buffer is read, and as a result, the buffer is empty (SRXMPT bit is set)



# dsPIC33EVXXGM00X/10X FAMILY

---

---

## REGISTER 18-1: SPIxSTAT: SPIx STATUS AND CONTROL REGISTER (CONTINUED)

- bit 1      **SPITBF:** SPIx Transmit Buffer Full Status bit  
1 = Transmit has not yet started, the SPIxTXB bit is full  
0 = Transmit has started, the SPIxTXB bit is empty  
Standard Buffer mode:  
Automatically set in hardware when the core writes to the SPIxBUF location, loading SPIxTXB. Automatically cleared in hardware when the SPIx module transfers data from SPIxTXB to SPIxSR.  
Enhanced Buffer mode:  
Automatically set in the hardware when the CPU writes to the SPIxBUF location, loading the last available buffer location. Automatically cleared in hardware when a buffer location is available for a CPU write operation.
- bit 0      **SPIRBF:** SPIx Receive Buffer Full Status bit  
1 = Receive is complete, the SPIxRXB bit is full  
0 = Receive is incomplete, the SPIxRXB bit is empty  
Standard Buffer mode:  
Automatically set in the hardware when SPIx transfers data from SPIxSR to SPIxRXB. Automatically cleared in hardware when the core reads the SPIxBUF location, reading SPIxRXB.  
Enhanced Buffer mode:  
Automatically set in hardware when SPIx transfers data from SPIxSR to the buffer, filling the last unread buffer location. Automatically cleared in hardware when a buffer location is available for a transfer from SPIxSR.

# dsPIC33EVXXGM00X/10X FAMILY

## REGISTER 18-2: SPIxCON1: SPIx CONTROL REGISTER 1

|        |     |     |        |        |        |       |                    |
|--------|-----|-----|--------|--------|--------|-------|--------------------|
| U-0    | U-0 | U-0 | R/W-0  | R/W-0  | R/W-0  | R/W-0 | R/W-0              |
| —      | —   | —   | DISSCK | DISSDO | MODE16 | SMP   | CKE <sup>(1)</sup> |
| bit 15 |     |     |        |        |        |       | bit 8              |

|                     |       |       |                      |                      |                      |                      |                      |
|---------------------|-------|-------|----------------------|----------------------|----------------------|----------------------|----------------------|
| R/W-0               | R/W-0 | R/W-0 | R/W-0                | R/W-0                | R/W-0                | R/W-0                | R/W-0                |
| SSEN <sup>(2)</sup> | CKP   | MSTEN | SPRE2 <sup>(3)</sup> | SPRE1 <sup>(3)</sup> | SPRE0 <sup>(3)</sup> | PPRE1 <sup>(3)</sup> | PPRE0 <sup>(3)</sup> |
| bit 7               |       |       |                      |                      |                      |                      | bit 0                |

### Legend:

R = Readable bit                      W = Writable bit                      U = Unimplemented bit, read as '0'  
 -n = Value at POR                      '1' = Bit is set                      '0' = Bit is cleared                      x = Bit is unknown

- bit 15-13      **Unimplemented:** Read as '0'
- bit 12      **DISSCK:** Disable SCKx Pin bit (SPI Master modes only)  
 1 = Internal SPI clock is disabled, pin functions as I/O  
 0 = Internal SPI clock is enabled
- bit 11      **DISSDO:** Disable SDOx Pin bit  
 1 = SDOx pin is not used by the module; pin functions as I/O  
 0 = SDOx pin is controlled by the module
- bit 10      **MODE16:** Word/Byte Communication Select bit  
 1 = Communication is word-wide (16 bits)  
 0 = Communication is byte-wide (8 bits)
- bit 9      **SMP:** SPIx Data Input Sample Phase bit  
Master mode:  
 1 = Input data is sampled at the end of data output time  
 0 = Input data is sampled at the middle of data output time  
Slave mode:  
 SMP must be cleared when SPIx is used in Slave mode.
- bit 8      **CKE:** Clock Edge Select bit<sup>(1)</sup>  
 1 = Serial output data changes on transition from active clock state to Idle clock state (refer to bit 6)  
 0 = Serial output data changes on transition from Idle clock state to active clock state (refer to bit 6)
- bit 7      **SSEN:** Slave Select Enable bit (Slave mode)<sup>(2)</sup>  
 1 =  $\overline{SSx}$  pin is used for Slave mode  
 0 =  $\overline{SSx}$  pin is not used by the module; pin is controlled by port function
- bit 6      **CKP:** Clock Polarity Select bit  
 1 = Idle state for clock is a high level; active state is a low level  
 0 = Idle state for clock is a low level; active state is a high level
- bit 5      **MSTEN:** Master Mode Enable bit  
 1 = Master mode  
 0 = Slave mode

**Note 1:** The CKE bit is not used in Framed SPI modes. Program this bit to '0' for Framed SPI modes (FRMEN = 1).

**2:** This bit must be cleared when FRMEN = 1.

**3:** Do not set both primary and secondary prescalers to the value of 1:1.

## REGISTER 18-2: SPIxCON1: SPIx CONTROL REGISTER 1 (CONTINUED)

bit 4-2      **SPRE<2:0>**: Secondary Prescale bits (Master mode)<sup>(3)</sup>

111 = Secondary prescale 1:1

110 = Secondary prescale 2:1

•

•

•

000 = Secondary prescale 8:1

bit 1-0      **PPRE<1:0>**: Primary Prescale bits (Master mode)<sup>(3)</sup>

11 = Primary prescale 1:1

10 = Primary prescale 4:1

01 = Primary prescale 16:1

00 = Primary prescale 64:1

**Note 1:** The CKE bit is not used in Framed SPI modes. Program this bit to '0' for Framed SPI modes (FRMEN = 1).

**2:** This bit must be cleared when FRMEN = 1.

**3:** Do not set both primary and secondary prescalers to the value of 1:1.

# dsPIC33EVXXGM00X/10X FAMILY

**REGISTER 18-3: SPIxCON2: SPIx CONTROL REGISTER 2**

|        |        |        |     |     |     |     |       |
|--------|--------|--------|-----|-----|-----|-----|-------|
| R/W-0  | R/W-0  | R/W-0  | U-0 | U-0 | U-0 | U-0 | U-0   |
| FRMEN  | SPIFSD | FRMPOL | —   | —   | —   | —   | —     |
| bit 15 |        |        |     |     |     |     | bit 8 |

|       |     |     |     |     |     |        |        |
|-------|-----|-----|-----|-----|-----|--------|--------|
| U-0   | U-0 | U-0 | U-0 | U-0 | U-0 | R/W-0  | R/W-0  |
| —     | —   | —   | —   | —   | —   | FRMDLY | SPIBEN |
| bit 7 |     |     |     |     |     | bit 0  |        |

**Legend:**

R = Readable bit                      W = Writable bit                      U = Unimplemented bit, read as '0'  
 -n = Value at POR                      '1' = Bit is set                      '0' = Bit is cleared                      x = Bit is unknown

- bit 15            **FRMEN:** Framed SPIx Support bit  
                   1 = Framed SPIx support is enabled ( $\overline{SSx}$  pin is used as the Frame Sync pulse input/output)  
                   0 = Framed SPIx support is disabled
- bit 14            **SPIFSD:** SPIx Frame Sync Pulse Direction Control bit  
                   1 = Frame Sync pulse input (slave)  
                   0 = Frame Sync pulse output (master)
- bit 13            **FRMPOL:** Frame Sync Pulse Polarity bit  
                   1 = Frame Sync pulse is active-high  
                   0 = Frame Sync pulse is active-low
- bit 12-2        **Unimplemented:** Read as '0'
- bit 1            **FRMDLY:** Frame Sync Pulse Edge Select bit  
                   1 = Frame Sync pulse coincides with the first bit clock  
                   0 = Frame Sync pulse precedes the first bit clock
- bit 0            **SPIBEN:** SPIx Enhanced Buffer Enable bit  
                   1 = Enhanced buffer is enabled  
                   0 = Enhanced buffer is disabled (Standard mode)

## 19.0 INTER-INTEGRATED CIRCUIT (I<sup>2</sup>C)

**Note 1:** This data sheet summarizes the features of the dsPIC33EVXXGM00X/10X family of devices. It is not intended to be a comprehensive reference source. To complement the information in this data sheet, refer to “**Inter-Integrated Circuit™ (I<sup>2</sup>C™)**” (DS70000195) in the “*dsPIC33/PIC24 Family Reference Manual*”, which is available from the Microchip web site ([www.microchip.com](http://www.microchip.com)).

**2:** Some registers and associated bits described in this section may not be available on all devices. Refer to **Section 4.0 “Memory Organization”** in this data sheet for device-specific register and bit information.

The dsPIC33EVXXGM00X/10X family of devices contains one Inter-Integrated Circuit (I<sup>2</sup>C) module, I2C1.

The I<sup>2</sup>C module provides complete hardware support for both Slave and Multi-Master modes of the I<sup>2</sup>C serial communication standard, with a 16-bit interface.

The I<sup>2</sup>C module has the following 2-pin interface:

- The SCLx pin is clock.
- The SDAx pin is data.

The I<sup>2</sup>C module offers the following key features:

- I<sup>2</sup>C Interface Supporting Both Master and Slave modes of Operation
- I<sup>2</sup>C Slave mode Supports 7 and 10-Bit Addressing
- I<sup>2</sup>C Master mode Supports 7 and 10-Bit Addressing
- I<sup>2</sup>C Port allows Bidirectional Transfers between Master and Slaves
- Serial Clock Synchronization for I<sup>2</sup>C Port can be used as a Handshake Mechanism to Suspend and Resume Serial Transfer (SCLREL control)
- I<sup>2</sup>C Supports Multi-Master Operation, Detects Bus Collision and Arbitrates Accordingly
- Support for Address Bit Masking up to Lower 7 Bits
- I<sup>2</sup>C Slave Enhancements:
  - SDAx hold time selection of SMBus (300 ns or 150 ns)
  - Start/Stop bit interrupt enables

Figure 19-1 shows a block diagram of the I<sup>2</sup>C module.

### 19.1 I<sup>2</sup>C Baud Rate Generator

The Baud Rate Generator (BRG) used for I<sup>2</sup>C mode operation is used to set the SCL clock frequency for 100 kHz, 400 kHz and 1 MHz. The BRG reload value is contained in the I2CxBRG register. The BRG will automatically begin counting on a write to the I2CxTRN register.

Equation 19-1 and Equation 19-2 provide the BRG reload formula and FSCL frequency, respectively.

#### EQUATION 19-1: BRG FORMULA

$$I2CxBRG = \left( \left( \frac{1}{FSCL} - Delay \right) \times \frac{FCY}{2} \right) - 2$$

Where:

Delay varies from 110 ns to 130 ns.

#### EQUATION 19-2: FSCL FREQUENCY

$$FSCL = FCY / ((I2CxBRG + 2) * 2)$$

# dsPIC33EVXXXGM00X/10X FAMILY

FIGURE 19-1: I2Cx BLOCK DIAGRAM (x = 1)



# dsPIC33EVXXGM00X/10X FAMILY

## 19.2 I<sup>2</sup>C Control Registers

**REGISTER 19-1: I2CxCON1: I2Cx CONTROL REGISTER 1**

|        |     |         |                       |        |       |        |       |
|--------|-----|---------|-----------------------|--------|-------|--------|-------|
| R/W-0  | U-0 | R/W-0   | R/S-1                 | R/W-0  | R/W-0 | R/W-0  | R/W-0 |
| I2CEN  | —   | I2CSIDL | SCLREL <sup>(1)</sup> | STRICT | A10M  | DISSLW | SMEN  |
| bit 15 |     |         |                       |        |       |        | bit 8 |

|       |       |       |           |           |           |           |           |
|-------|-------|-------|-----------|-----------|-----------|-----------|-----------|
| R/W-0 | R/W-0 | R/W-0 | R/W-0, HC | R/W-0, HC | R/W-0, HC | R/W-0, HC | R/W-0, HC |
| GCEN  | STREN | ACKDT | ACKEN     | RCEN      | PEN       | RSEN      | SEN       |
| bit 7 |       |       |           |           |           |           | bit 0     |

|                   |                  |                                    |
|-------------------|------------------|------------------------------------|
| <b>Legend:</b>    | S = Settable bit | HC = Hardware Clearable bit        |
| R = Readable bit  | W = Writable bit | U = Unimplemented bit, read as '0' |
| -n = Value at POR | '1' = Bit is set | '0' = Bit is cleared               |
|                   |                  | x = Bit is unknown                 |

- bit 15     **I2CEN:** I2Cx Enable bit (writable from SW only)  
           1 = Enables the I<sup>2</sup>C module and configures the SDAx and SCLx pins as serial port pins  
           0 = Disables the I<sup>2</sup>C module and all I<sup>2</sup>C pins are controlled by port functions
- bit 14     **Unimplemented:** Read as '0'
- bit 13     **I2CSIDL:** I2Cx Stop in Idle Mode bit  
           1 = Discontinues module operation when the device enters Idle mode  
           0 = Continues module operation in Idle mode
- bit 12     **SCLREL:** SCLx Release Control bit (I<sup>2</sup>C Slave mode only)<sup>(1)</sup>  
           Module resets and (I2CEN = 0) sets SCLREL = 1.  
           If STREN = 0:<sup>(2)</sup>  
           1 = Releases clock  
           0 = Forces clock low (clock stretch)  
           If STREN = 1:  
           1 = Releases clock  
           0 = Holds clock low (clock stretch); user may program this bit to '0', clock stretch at the next SCLx low
- bit 11     **STRICT:** Strict I<sup>2</sup>C Reserved Address Rule Enable bit  
           1 = Strict reserved addressing is enforced  
               In Slave mode, the device does not respond to reserved address space and addresses falling in that category are NACKed.  
           0 = Reserved addressing would be Acknowledged  
               In Slave mode, the device will respond to an address falling in the reserved address space. When there is a match with any of the reserved addresses, the device will generate an ACK.
- bit 10     **A10M:** 10-Bit Slave Address Flag bit  
           1 = I2CxADD is a 10-bit slave address  
           0 = I2CxADD is a 7-bit slave address
- bit 9      **DISSLW:** Slew Rate Control Disable bit  
           1 = Slew rate control is disabled for Standard Speed mode (100 kHz, also disabled for 1 MHz mode)  
           0 = Slew rate control is enabled for High-Speed mode (400 kHz)
- bit 8      **SMEN:** SMBus Input Levels Enable bit  
           1 = Enables the input logic so thresholds are compliant with the SMBus specification  
           0 = Disables the SMBus-specific inputs

**Note 1:** Automatically cleared to '0' at the beginning of slave transmission; automatically cleared to '0' at the end of slave reception.

**2:** Automatically cleared to '0' at the beginning of slave transmission.

# dsPIC33EVXXGM00X/10X FAMILY

---

---

## REGISTER 19-1: I2CxCON1: I2Cx CONTROL REGISTER 1 (CONTINUED)

- bit 7      **GCEN:** General Call Enable bit (I<sup>2</sup>C Slave mode only)  
1 = Enables interrupt when a general call address is received in I2CxRSR; module is enabled for reception  
0 = General call address is disabled.
- bit 6      **STREN:** SCLx Clock Stretch Enable bit  
In I<sup>2</sup>C Slave mode only, used in conjunction with the SCLREL bit.  
1 = Enables clock stretching  
0 = Disables clock stretching
- bit 5      **ACKDT:** Acknowledge Data bit  
In I<sup>2</sup>C Master mode, during Master Receive mode. The value that will be transmitted when the user initiates an Acknowledge sequence at the end of a receive.  
In I<sup>2</sup>C Slave mode when AHEN = 1 or DHEN = 1. The value that the slave will transmit when it initiates an Acknowledge sequence at the end of an address or data reception.  
1 = NACK is sent  
0 = ACK is sent
- bit 4      **ACKEN:** Acknowledge Sequence Enable bit  
In I<sup>2</sup>C Master mode only; applicable during Master Receive mode.  
1 = Initiates Acknowledge sequence on SDAx and SCLx pins, and transmits ACKDT data bit  
0 = Acknowledge sequence is Idle
- bit 3      **RCEN:** Receive Enable bit (I<sup>2</sup>C Master mode only)  
1 = Enables Receive mode for I<sup>2</sup>C, automatically cleared by hardware at the end of 8-bit receive data byte  
0 = Receive sequence is not in progress
- bit 2      **PEN:** Stop Condition Enable bit (I<sup>2</sup>C Master mode only)  
1 = Initiates Stop condition on SDAx and SCLx pins  
0 = Stop condition is Idle
- bit 1      **RSEN:** Restart Condition Enable bit (I<sup>2</sup>C Master mode only)  
1 = Initiates Restart condition on SDAx and SCLx pins  
0 = Restart condition is Idle
- bit 0      **SEN:** Start Condition Enable bit (I<sup>2</sup>C Master mode only)  
1 = Initiates Start condition on SDAx and SCLx pins  
0 = Start condition is Idle

**Note 1:** Automatically cleared to '0' at the beginning of slave transmission; automatically cleared to '0' at the end of slave reception.

**2:** Automatically cleared to '0' at the beginning of slave transmission.



# dsPIC33EVXXGM00X/10X FAMILY

## REGISTER 19-2: I2CxCON2: I2Cx CONTROL REGISTER 2

|        |     |     |     |     |     |     |       |
|--------|-----|-----|-----|-----|-----|-----|-------|
| U-0    | U-0 | U-0 | U-0 | U-0 | U-0 | U-0 | U-0   |
| —      | —   | —   | —   | —   | —   | —   | —     |
| bit 15 |     |     |     |     |     |     | bit 8 |

|       |       |       |       |       |       |       |       |
|-------|-------|-------|-------|-------|-------|-------|-------|
| U-0   | R/W-0 | R/W-0 | R/W-0 | R/W-0 | R/W-0 | R/W-0 | R/W-0 |
| —     | PCIE  | SCIE  | BOEN  | SDAHT | SBCDE | AHEN  | DHEN  |
| bit 7 |       |       |       |       |       |       | bit 0 |

### Legend:

R = Readable bit                      W = Writable bit                      U = Unimplemented bit, read as '0'  
 -n = Value at POR                      '1' = Bit is set                      '0' = Bit is cleared                      x = Bit is unknown

- bit 15-7      **Unimplemented:** Read as '0'
- bit 6      **PCIE:** Stop Condition Interrupt Enable bit (I<sup>2</sup>C Slave mode only).  
             1 = Enables interrupt on detection of Stop condition  
             0 = Stop detection interrupts are disabled
- bit 5      **SCIE:** Start Condition Interrupt Enable bit (I<sup>2</sup>C Slave mode only)  
             1 = Enables interrupt on detection of Start or Restart conditions  
             0 = Start detection interrupts are disabled
- bit 4      **BOEN:** Buffer Overwrite Enable bit (I<sup>2</sup>C Slave mode only)  
             1 = The I2CxRCV register bit is updated and an ACK is generated for a received address/data byte,  
                 ignoring the state of the I2COV bit only if the RBF bit = 0  
             0 = The I2CxRCV register bit is only updated when I2COV is clear
- bit 3      **SDAHT:** SDAx Hold Time Selection bit  
             1 = Minimum of 300 ns hold time on SDAx after the falling edge of SCLx  
             0 = Minimum of 100 ns hold time on SDAx after the falling edge of SCLx
- bit 2      **SBCDE:** Slave Mode Bus Collision Detect Enable bit (I<sup>2</sup>C Slave mode only)  
             If, on the rising edge of SCLx, SDAx is sampled low when the module is outputting a high state, the  
             BCL bit is set and the bus goes Idle. This Detection mode is only valid during data and ACK transmit  
             sequences.  
             1 = Slave bus collision interrupts are enabled  
             0 = Slave bus collision interrupts are disabled
- bit 1      **AHEN:** Address Hold Enable bit (I<sup>2</sup>C Slave mode only)  
             1 = Following the 8<sup>th</sup> falling edge of SCLx for a matching received address byte; the SCLREL bit  
                 (I2CxCON1<12>) will be cleared and the SCLx will be held low  
             0 = Address holding is disabled
- bit 0      **DHEN:** Data Hold Enable bit (I<sup>2</sup>C Slave mode only)  
             1 = Following the 8<sup>th</sup> falling edge of SCLx for a received data byte; slave hardware clears the SCLREL  
                 bit (I2CxCON1<12>) and the SCLx is held low  
             0 = Data holding is disabled

# dsPIC33EVXXGM00X/10X FAMILY

## REGISTER 19-3: I2CxSTAT: I2Cx STATUS REGISTER

|          |          |          |     |     |            |          |          |
|----------|----------|----------|-----|-----|------------|----------|----------|
| R-0, HSC | R-0, HSC | R-0, HSC | U-0 | U-0 | R/C-0, HSC | R-0, HSC | R-0, HSC |
| ACKSTAT  | TRSTAT   | ACKTIM   | —   | —   | BCL        | GCSTAT   | ADD10    |
| bit 15   |          |          |     |     |            | bit 8    |          |

|           |           |          |            |            |          |          |          |
|-----------|-----------|----------|------------|------------|----------|----------|----------|
| R/C-0, HS | R/C-0, HS | R-0, HSC | R/C-0, HSC | R/C-0, HSC | R-0, HSC | R-0, HSC | R-0, HSC |
| IWCOL     | I2COV     | D_A      | P          | S          | R_W      | RBF      | TBF      |
| bit 7     |           |          |            |            |          | bit 0    |          |

|                   |                   |                                       |
|-------------------|-------------------|---------------------------------------|
| <b>Legend:</b>    | C = Clearable bit | HSC = Hardware Settable/Clearable bit |
| R = Readable bit  | W = Writable bit  | U = Unimplemented bit, read as '0'    |
| -n = Value at POR | '1' = Bit is set  | '0' = Bit is cleared                  |
|                   |                   | HS = Hardware Settable bit            |

- bit 15     **ACKSTAT:** Acknowledge Status bit (updated in all Master and Slave modes)  
1 = Acknowledge was not received from slave  
0 = Acknowledge was received from slave
- bit 14     **TRSTAT:** Transmit Status bit (when operating as I<sup>2</sup>C master; applicable to master transmit operation)  
1 = Master transmit is in progress (8 bits +  $\overline{\text{ACK}}$ )  
0 = Master transmit is not in progress
- bit 13     **ACKTIM:** Acknowledge Time Status bit (valid in I<sup>2</sup>C Slave mode only)  
1 = Indicates I<sup>2</sup>C bus is in an Acknowledge sequence, set on 8<sup>th</sup> falling edge of SCLx clock  
0 = Not an Acknowledge sequence, cleared on 9<sup>th</sup> rising edge of SCLx clock
- bit 12-11   **Unimplemented:** Read as '0'
- bit 10     **BCL:** Bus Collision Detect bit (Master/Slave mode; cleared when I<sup>2</sup>C module is disabled, I2CEN = 0)  
1 = A bus collision has been detected during a master or slave transmit operation  
0 = Bus collision has not been detected
- bit 9     **GCSTAT:** General Call Status bit (cleared after Stop detection)  
1 = General call address was received  
0 = General call address was not received
- bit 8     **ADD10:** 10-Bit Address Status bit (cleared after Stop detection)  
1 = 10-bit address was matched  
0 = 10-bit address was not matched
- bit 7     **IWCOL:** Write Collision Detect bit  
1 = An attempt to write to the I2CxTRN register failed because the I<sup>2</sup>C module is busy; must be cleared in software  
0 = Collision has not occurred
- bit 6     **I2COV:** I2Cx Receive Overflow Flag bit  
1 = A byte was received while the I2CxRCV register is still holding the previous byte; I2COV is a “don't care” in Transmit mode, must be cleared in software  
0 = Overflow has not occurred
- bit 5     **D\_A:** Data/Address bit (when operating as I<sup>2</sup>C slave)  
1 = Indicates that the last byte received was data  
0 = Indicates that the last byte received or transmitted was an address
- bit 4     **P:** I2Cx Stop bit  
Updated when Start, Reset or Stop is detected; cleared when the I<sup>2</sup>C module is disabled, I2CEN = 0.  
1 = Indicates that a Stop bit has been detected last  
0 = Indicates that a Stop bit was not detected last

# dsPIC33EVXXGM00X/10X FAMILY

## REGISTER 19-3: I2CxSTAT: I2Cx STATUS REGISTER (CONTINUED)

- bit 3      **S:** I2Cx Start bit  
 Updated when Start, Reset or Stop is detected; cleared when the I<sup>2</sup>C module is disabled, I2CEN = 0.  
 1 = Indicates that a Start (or Repeated Start) bit has been detected last  
 0 = Indicates that a Start bit was not detected last
- bit 2      **R\_W:** Read/Write Information bit (when operating as I<sup>2</sup>C slave)  
 1 = Read: Indicates that the data transfer is output from the slave  
 0 = Write: Indicates that the data transfer is input to the slave
- bit 1      **RBF:** Receive Buffer Full Status bit  
 1 = Receive is complete, the I2CxRCV bit is full  
 0 = Receive is not complete, the I2CxRCV bit is empty
- bit 0      **TBF:** Transmit Buffer Full Status bit  
 1 = Transmit is in progress, I2CxTRN is full (8 bits of data)  
 0 = Transmit is complete, I2CxTRN is empty

## REGISTER 19-4: I2CxMSK: I2Cx SLAVE MODE ADDRESS MASK REGISTER

|        |     |     |     |     |     |          |       |
|--------|-----|-----|-----|-----|-----|----------|-------|
| U-0    | U-0 | U-0 | U-0 | U-0 | U-0 | R/W-0    | R/W-0 |
| —      | —   | —   | —   | —   | —   | MSK<9:8> |       |
| bit 15 |     |     |     |     |     | bit 8    |       |

|          |       |       |       |       |       |       |       |
|----------|-------|-------|-------|-------|-------|-------|-------|
| R/W-0    | R/W-0 | R/W-0 | R/W-0 | R/W-0 | R/W-0 | R/W-0 | R/W-0 |
| MSK<7:0> |       |       |       |       |       |       |       |
| bit 7    |       |       |       |       |       | bit 0 |       |

|                   |                  |                                    |                    |
|-------------------|------------------|------------------------------------|--------------------|
| <b>Legend:</b>    |                  |                                    |                    |
| R = Readable bit  | W = Writable bit | U = Unimplemented bit, read as '0' |                    |
| -n = Value at POR | '1' = Bit is set | '0' = Bit is cleared               | x = Bit is unknown |

- bit 15-10      **Unimplemented:** Read as '0'
- bit 9-0      **MSK<9:0>:** I2Cx Mask for Address Bit x Select bits  
 1 = Enables masking for bit x of the incoming message address; bit match is not required in this position  
 0 = Disables masking for bit x; bit match is required in this position

# dsPIC33EVXXGM00X/10X FAMILY

---

---

NOTES:

## 20.0 SINGLE-EDGE NIBBLE TRANSMISSION (SENT)

**Note 1:** This data sheet summarizes the features of this group of dsPIC33EVXXGM00X/10X family devices. It is not intended to be a comprehensive reference source. For more information on Single-Edge Nibble Transmission, refer to “**Single-Edge Nibble Transmission (SENT) Module**” (DS70005145) in the “*dsPIC33/PIC24 Family Reference Manual*”, which is available from the Microchip web site ([www.microchip.com](http://www.microchip.com)).

**2:** Some registers and associated bits described in this section may not be available on all devices. Refer to [Section 4.0 “Memory Organization”](#) in this data sheet for device-specific register and bit information.

### 20.1 Module Introduction

The Single-Edge Nibble Transmission (SENT) module is based on the SAE J2716, “*SENT – Single-Edge Nibble Transmission for Automotive Applications*”. The SENT protocol is a one-way, single wire time modulated serial communication, based on successive falling edges. It is intended for use in applications where high-resolution sensor data needs to be communicated from a sensor to an Engine Control Unit (ECU).

The SENTx module has the following major features:

- Selectable Transmit or Receive mode
- Synchronous or Asynchronous Transmit modes
- Automatic Data Rate Synchronization
- Optional Automatic Detection of CRC Errors in Receive mode
- Optional Hardware Calculation of CRC in Transmit mode
- Support for Optional Pause Pulse Period
- Data Buffering for One Message Frame
- Selectable Data Length for Transmit/Receive from 3 to 6 Nibbles
- Automatic Detection of Framing Errors

SENT protocol timing is based on a predetermined time unit,  $T_{TICK}$ . Both the transmitter and receiver must be preconfigured for  $T_{TICK}$ , which can vary from 3 to 90  $\mu s$ . A SENT message frame starts with a Sync pulse. The purpose of the Sync pulse is to allow the receiver to calculate the data rate of the message encoded by the transmitter. The SENT specification allows messages to be validated with up to a 20% variation in  $T_{TICK}$ . This allows for the transmitter and receiver to run from different clocks that may be inaccurate, and drift with time and temperature. The data nibbles are 4 bits in length and are encoded as the data value + 12 ticks. This yields a 0 value of 12 ticks and the maximum value, 0xF, of 27 ticks.

A SENT message consists of the following:

- A synchronization/calibration period of 56 tick times
- A status nibble of 12-27 tick times
- Up to six data nibbles of 12-27 tick times
- A CRC nibble of 12-27 tick times
- An optional pause pulse period of 12-768 tick times

[Figure 20-1](#) shows a block diagram of the SENTx module.

[Figure 20-2](#) shows the construction of a typical 6-nibble data frame, with the numbers representing the minimum or maximum number of tick times for each section.

# dsPIC33EVXXXGM00X/10X FAMILY

FIGURE 20-1: SENTx MODULE BLOCK DIAGRAM



FIGURE 20-2: SENTx PROTOCOL DATA FRAMES



## 20.2 Transmit Mode

By default, the SENTx module is configured for transmit operation. The module can be configured for continuous asynchronous message frame transmission, or alternatively, for Synchronous mode triggered by software. When enabled, the transmitter will send a Sync followed by the appropriate number of data nibbles, an optional CRC and optional pause pulse. The tick period used by the SENTx transmitter is set by writing a value to the TICKTIME<15:0> (SENTxCON2<15:0>) bits. The tick period calculations are shown in [Equation 20-1](#).

### EQUATION 20-1: TICK PERIOD CALCULATION

$$TICKTIME<15:0> = \frac{T_{TICK}}{T_{CLK}} - 1$$

An optional pause pulse can be used in Asynchronous mode to provide a fixed message frame time period. The frame period used by the SENTx transmitter is set by writing a value to the FRAMETIME<15:0> (SENTxCON3<15:0>) bits. The formulas used to calculate the value of frame time are shown in [Equation 20-2](#).

### EQUATION 20-2: FRAME TIME CALCULATIONS

$$FRAMETIME<15:0> = T_{TICK}/T_{FRAME}$$

$$FRAMETIME<15:0> \geq 122 + 27N$$

$$FRAMETIME<15:0> \geq 848 + 12N$$

Where:

$T_{FRAME}$  = Total time of the message from ms

$N$  = The number of data nibbles in message, 1-6

**Note:** The module will not produce a pause period with less than 12 ticks, regardless of the FRAMETIME<15:0> value. FRAMETIME<15:0> values beyond 2047 will have no effect on the length of a data frame.

## 20.2.1 TRANSMIT MODE CONFIGURATION

### 20.2.1.1 Initializing the SENTx Module:

Perform the following steps to initialize the module:

1. Write RCVEN (SENTxCON1<11>) = 0 for Transmit mode.
2. Write TXM (SENTxCON1<10>) = 0 for Asynchronous Transmit mode or TXM = 1 for Synchronous mode.
3. Write NIBCNT<2:0> (SENTxCON1<2:0>) for the desired data frame length.
4. Write CRCEN (SENTxCON1<8>) for hardware or software CRC calculation.
5. Write PPP (SENTxCON1<7>) for optional pause pulse.
6. If PPP = 1, write TFRAME to SENTxCON3.
7. Write SENTxCON2 with the appropriate value for desired tick period.
8. Enable interrupts and set interrupt priority.
9. Write initial status and data values to SENTxDATH/L.
10. If CRCEN = 0, calculate CRC and write the value to CRC<3:0> (SENTxDATL<3:0>).
11. Set the SNTEN (SENTxCON1<15>) bit to enable the module.

User software updates to SENTxDATH/L must be performed after the completion of the CRC and before the next message frame's status nibble. The recommended method is to use the message frame completion interrupt to trigger data writes.

# dsPIC33EVXXGM00X/10X FAMILY

## 20.3 Receive Mode

The module can be configured for receive operation by setting the RCVEN (SENTxCON1<11>) bit. The time between each falling edge is compared to SYNCMIN<15:0> (SENTxCON3<15:0>) and SYNCMAX<15:0> (SENTxCON2<15:0>), and if the measured time lies between the minimum and maximum limits, the module begins to receive data. The validated Sync time is captured in the SENTxSYNC register and the tick time is calculated. Subsequent falling edges are verified to be within the valid data width and the data is stored in the SENTxDATH/L register. An interrupt event is generated at the completion of the message and the user software should read the SENTx Data register before the reception of the next nibble. The equation for SYNCMIN<15:0> and SYNCMAX<15:0> is shown in Equation 20-3.

### EQUATION 20-3: SYNCMIN<15:0> AND SYNCMAX<15:0> CALCULATIONS

$$TICK = TCLK \cdot (TICKTIME<15:0> + 1)$$

$$FRAMETIME<15:0> = TICK/TFRAME$$

$$SyncCount = 8 \times FRCV \times TICK$$

$$SYNCMIN<15:0> = 0.8 \times SyncCount$$

$$SYNCMAX<15:0> = 1.2 \times SyncCount$$

$$FRAMETIME<15:0> \geq 122 + 27N$$

$$FRAMETIME<15:0> \geq 848 + 12N$$

Where:

$TFRAME$  = Total time of the message from ms

$N$  = The number of data nibbles in message, 1-6

$FRCV$  =  $FCY \times$  prescaler

$TCLK$  =  $FCY/Prescaler$

For  $TICK = 3.0 \mu s$  and  $FCLK = 4 MHz$ ,  $SYNCMIN<15:0> = 76$ .

**Note:** To ensure a Sync period can be identified, the value written to SYNCMIN<15:0> must be less than the value written to SYNCMAX<15:0>.

## 20.3.1 RECEIVE MODE CONFIGURATION

### 20.3.1.1 Initializing the SENTx Module:

Perform the following steps to initialize the module:

1. Write RCVEN (SENTxCON1<11>) = 1 for Receive mode.
2. Write NIBCNT<2:0> (SENTxCON1<2:0>) for the desired data frame length.
3. Write CRCEN (SENTxCON1<8>) for hardware or software CRC validation.
4. Write PPP (SENTxCON1<7>) = 1 if pause pulse is present.
5. Write SENTxCON2 with the value of SYNCMAXx (Nominal Sync Period + 20%).
6. Write SENTxCON3 with the value of SYNCMINx (Nominal Sync Period – 20%).
7. Enable interrupts and set interrupt priority.
8. Set the SNTEN (SENTxCON1<15>) bit to enable the module.

The data should be read from the SENTxDATH/L register after the completion of the CRC and before the next message frame's status nibble. The recommended method is to use the message frame completion interrupt trigger.



# dsPIC33EVXXGM00X/10X FAMILY

## REGISTER 20-1: SENTxCON1: SENTx CONTROL REGISTER 1

|        |     |         |     |       |                    |                      |        |
|--------|-----|---------|-----|-------|--------------------|----------------------|--------|
| R/W-0  | U-0 | R/W-0   | U-0 | R/W-0 | R/W-0              | R/W-0                | R/W-0  |
| SNTEN  | —   | SNTSIDL | —   | RCVEN | TXM <sup>(1)</sup> | TXPOL <sup>(1)</sup> | CRCCEN |
| bit 15 |     |         |     |       |                    |                      | bit 8  |

|       |                      |     |       |     |         |         |         |
|-------|----------------------|-----|-------|-----|---------|---------|---------|
| R/W-0 | R/W-0                | U-0 | R/W-0 | U-0 | R/W-0   | R/W-0   | R/W-0   |
| PPP   | SPCEN <sup>(2)</sup> | —   | PS    | —   | NIBCNT2 | NIBCNT1 | NIBCNT0 |
| bit 7 |                      |     |       |     |         |         | bit 0   |

### Legend:

R = Readable bit                      W = Writable bit                      U = Unimplemented bit, read as '0'  
 -n = Value at POR                      '1' = Bit is set                      '0' = Bit is cleared                      x = Bit is unknown

- bit 15            **SNTEN:** SENTx Enable bit  
                   1 = SENTx is enabled  
                   0 = SENTx is disabled
- bit 14            **Unimplemented:** Read as '0'
- bit 13            **SNTSIDL:** SENTx Stop in Idle Mode bit  
                   1 = Discontinues module operation when the device enters Idle mode  
                   0 = Continues module operation in Idle mode
- bit 12            **Unimplemented:** Read as '0'
- bit 11            **RCVEN:** SENTx Receive Enable bit  
                   1 = SENTx operates as a receiver  
                   0 = SENTx operates as a transmitter (sensor)
- bit 10            **TXM:** SENTx Transmit Mode bit<sup>(1)</sup>  
                   1 = SENTx transmits data frame only when triggered using the SYNCTXEN status bit  
                   0 = SENTx transmits data frames continuously while SNTEN = 1
- bit 9             **TXPOL:** SENTx Transmit Polarity bit<sup>(1)</sup>  
                   1 = SENTx data output pin is low in the Idle state  
                   0 = SENTx data output pin is high in the Idle state
- bit 8             **CRCCEN:** CRC Enable bit  
                   Module in Receive Mode (RCVEN = 1):  
                   1 = SENTx performs CRC verification on received data using the preferred J2716 method  
                   0 = SENTx does not perform CRC verification on received data  
                   Module in Transmit Mode (RCVEN = 1):  
                   1 = SENTx automatically calculates CRC using the preferred J2716 method  
                   0 = SENTx does not calculate CRC
- bit 7             **PPP:** Pause Pulse Present bit  
                   1 = SENTx is configured to transmit/receive SENT messages with pause pulse  
                   0 = SENTx is configured to transmit/receive SENT messages without pause pulse
- bit 6             **SPCEN:** Short PWM Code Enable bit<sup>(2)</sup>  
                   1 = SPC control from external source is enabled  
                   0 = SPC control from external source is disabled
- bit 5             **Unimplemented:** Read as '0'
- bit 4             **PS:** SENTx Module Clock Prescaler (divider) bits  
                   1 = Divide-by-4  
                   0 = Divide-by-1

**Note 1:** This bit has no function in Receive mode (RCVEN = 1).  
**Note 2:** This bit has no function in Transmit mode (RCVEN = 0).

# dsPIC33EVXXGM00X/10X FAMILY

---

## REGISTER 20-1: SENTxCON1: SENTx CONTROL REGISTER 1 (CONTINUED)

bit 3            **Unimplemented:** Read as '0'

bit 2-0        **NIBCNT<2:0>:** Nibble Count Control bits

111 = Reserved; do not use

110 = Module transmits/receives 6 data nibbles in a SENT data pocket

101 = Module transmits/receives 5 data nibbles in a SENT data pocket

100 = Module transmits/receives 4 data nibbles in a SENT data pocket

011 = Module transmits/receives 3 data nibbles in a SENT data pocket

010 = Module transmits/receives 2 data nibbles in a SENT data pocket

001 = Module transmits/receives 1 data nibbles in a SENT data pocket

000 = Reserved; do not use

**Note 1:** This bit has no function in Receive mode (RCVEN = 1).

**2:** This bit has no function in Transmit mode (RCVEN = 0).

# dsPIC33EVXXGM00X/10X FAMILY

## REGISTER 20-2: SENTxSTAT: SENTx STATUS REGISTER

|        |     |     |     |     |     |     |       |
|--------|-----|-----|-----|-----|-----|-----|-------|
| U-0    | U-0 | U-0 | U-0 | U-0 | U-0 | U-0 | U-0   |
| —      | —   | —   | —   | —   | —   | —   | —     |
| bit 15 |     |     |     |     |     |     | bit 8 |

|       |      |      |      |        |        |        |                         |
|-------|------|------|------|--------|--------|--------|-------------------------|
| R-0   | R-0  | R-0  | R-0  | R-0    | R/C-0  | R-0    | R/W-0, HC               |
| PAUSE | NIB2 | NIB1 | NIB0 | CRCERR | FRMERR | RXIDLE | SYNCTXEN <sup>(1)</sup> |
| bit 7 |      |      |      |        |        |        | bit 0                   |

|                   |                   |                                    |
|-------------------|-------------------|------------------------------------|
| <b>Legend:</b>    | C = Clearable bit | HC = Hardware Clearable bit        |
| R = Readable bit  | W = Writable bit  | U = Unimplemented bit, read as '0' |
| -n = Value at POR | '1' = Bit is set  | '0' = Bit is cleared               |
|                   |                   | x = Bit is unknown                 |

bit 15-8 **Unimplemented:** Read as '0'

bit 7 **PAUSE:** Pause Period Status bit

- 1 = The module is transmitting/receiving a pause period
- 0 = The module is not transmitting/receiving a pause period

bit 6-4 **NIB<2:0>:** Nibble Status bit

Module in Transmit Mode (RCVEN = 0):

- 111 = Module is transmitting a CRC nibble
- 110 = Module is transmitting Data Nibble 6
- 101 = Module is transmitting Data Nibble 5
- 100 = Module is transmitting Data Nibble 4
- 011 = Module is transmitting Data Nibble 3
- 010 = Module is transmitting Data Nibble 2
- 001 = Module is transmitting Data Nibble 1
- 000 = Module is transmitting a status nibble or pause period, or is not transmitting

Module in Receive Mode (RCVEN = 1):

- 111 = Module is receiving a CRC nibble or was receiving this nibble when an error occurred
- 110 = Module is receiving Data Nibble 6 or was receiving this nibble when an error occurred
- 101 = Module is receiving Data Nibble 5 or was receiving this nibble when an error occurred
- 100 = Module is receiving Data Nibble 4 or was receiving this nibble when an error occurred
- 011 = Module is receiving Data Nibble 3 or was receiving this nibble when an error occurred
- 010 = Module is receiving Data Nibble 2 or was receiving this nibble when an error occurred
- 001 = Module is receiving Data Nibble 1 or was receiving this nibble when an error occurred
- 000 = Module is receiving a status nibble or waiting for Sync

bit 3 **CRCERR:** CRC Status bit (Receive mode only)

- 1 = A CRC error occurred for the 1-6 data nibbles in SENTxDATH/L
- 0 = A CRC error has not occurred

bit 2 **FRMERR:** Framing Error Status bit (Receive mode only)

- 1 = A data nibble was received with less than 12 tick periods or greater than 27 tick periods
- 0 = Framing error has not occurred

bit 1 **RXIDLE:** SENTx Receiver Idle Status bit (Receive mode only)

- 1 = The SENTx data bus has been Idle (high) for a period of SYNCMAX<15:0> or greater
- 0 = The SENTx data bus is not Idle

**Note 1:** In Receive mode (RCVEN = 1), the SYNCTXEN bit is read-only.

# dsPIC33EVXXGM00X/10X FAMILY

---

---

## REGISTER 20-2: SENTxSTAT: SENTx STATUS REGISTER (CONTINUED)

bit 0      **SYNCTXEN:** SENTx Synchronization Period Status/Transmit Enable bit<sup>(1)</sup>

Module in Receive Mode (RCVEN = 1):  
1 = A valid synchronization period was detected; the module is receiving nibble data  
0 = No synchronization period has been detected; the module is not receiving nibble data

Module in Asynchronous Transmit Mode (RCVEN = 0, TXM = 0):  
The bit always reads as '1' when the module is enabled, indicating the module transmits SENTx data frames continuously. The bit reads '0' when the module is disabled.

Module in Synchronous Transmit Mode (RCVEN = 0, TXM = 1):  
1 = The module is transmitting a SENTx data frame  
0 = The module is not transmitting a data frame, user software may set SYNCTXEN to start another data frame transmission

**Note 1:** In Receive mode (RCVEN = 1), the SYNCTXEN bit is read-only.

# dsPIC33EVXXGM00X/10X FAMILY

## REGISTER 20-3: SENTxDATL: SENTx RECEIVE DATA REGISTER LOW<sup>(1)</sup>

|            |       |       |       |            |       |       |       |
|------------|-------|-------|-------|------------|-------|-------|-------|
| R/W-0      | R/W-0 | R/W-0 | R/W-0 | R/W-0      | R/W-0 | R/W-0 | R/W-0 |
| DATA4<3:0> |       |       |       | DATA5<3:0> |       |       |       |
| bit 15     |       |       |       | bit 8      |       |       |       |

|            |       |       |       |          |       |       |       |
|------------|-------|-------|-------|----------|-------|-------|-------|
| R/W-0      | R/W-0 | R/W-0 | R/W-0 | R/W-0    | R/W-0 | R/W-0 | R/W-0 |
| DATA6<3:0> |       |       |       | CRC<3:0> |       |       |       |
| bit 7      |       |       |       | bit 0    |       |       |       |

### Legend:

R = Readable bit                      W = Writable bit                      U = Unimplemented bit, read as '0'  
-n = Value at POR                      '1' = Bit is set                      '0' = Bit is cleared                      x = Bit is unknown

bit 15-12      **DATA4<3:0>**: Data Nibble 4 Data bits  
bit 11-8        **DATA5<3:0>**: Data Nibble 5 Data bits  
bit 7-4         **DATA6<3:0>**: Data Nibble 6 Data bits  
bit 3-0         **CRC<3:0>**: CRC Nibble Data bits

**Note 1:** Register bits are read-only in Receive mode (RCVEN = 1). In Transmit mode, the CRC<3:0> bits are read-only when automatic CRC calculation is enabled (RCVEN = 0, CRCEN = 1).

## REGISTER 20-4: SENTxDATH: SENTx RECEIVE DATA REGISTER HIGH<sup>(1)</sup>

|           |       |       |       |            |       |       |       |
|-----------|-------|-------|-------|------------|-------|-------|-------|
| R/W-0     | R/W-0 | R/W-0 | R/W-0 | R/W-0      | R/W-0 | R/W-0 | R/W-0 |
| STAT<3:0> |       |       |       | DATA1<3:0> |       |       |       |
| bit 15    |       |       |       | bit 8      |       |       |       |

|            |       |       |       |            |       |       |       |
|------------|-------|-------|-------|------------|-------|-------|-------|
| R/W-0      | R/W-0 | R/W-0 | R/W-0 | R/W-0      | R/W-0 | R/W-0 | R/W-0 |
| DATA2<3:0> |       |       |       | DATA3<3:0> |       |       |       |
| bit 7      |       |       |       | bit 0      |       |       |       |

### Legend:

R = Readable bit                      W = Writable bit                      U = Unimplemented bit, read as '0'  
-n = Value at POR                      '1' = Bit is set                      '0' = Bit is cleared                      x = Bit is unknown

bit 15-12      **STAT<3:0>**: Status Nibble Data bits  
bit 11-8        **DATA1<3:0>**: Data Nibble 1 Data bits  
bit 7-4         **DATA2<3:0>**: Data Nibble 2 Data bits  
bit 3-0         **DATA3<3:0>**: Data Nibble 3 Data bits

**Note 1:** Register bits are read-only in Receive mode (RCVEN = 1). In Transmit mode, the CRC<3:0> bits are read-only when automatic CRC calculation is enabled (RCVEN = 0, CRCEN = 1).

# dsPIC33EVXXGM00X/10X FAMILY

---

---

NOTES:

## 21.0 UNIVERSAL ASYNCHRONOUS RECEIVER TRANSMITTER (UART)

**Note 1:** This data sheet summarizes the features of the dsPIC33EVXXXGM00X/10X family of devices. It is not intended to be a comprehensive reference source. To complement the information in this data sheet, refer to “**Universal Asynchronous Receiver Transmitter (UART)**” (DS70000582) in the “*dsPIC33/PIC24 Family Reference Manual*”, which is available from the Microchip web site ([www.microchip.com](http://www.microchip.com)).

**2:** Some registers and associated bits described in this section may not be available on all devices. Refer to **Section 4.0 “Memory Organization”** in this data sheet for device-specific register and bit information.

The dsPIC33EVXXXGM00X/10X family of devices contains two UART modules.

The Universal Asynchronous Receiver Transmitter (UART) module is one of the serial I/O modules available in the dsPIC33EVXXXGM00X/10X device family. The UART is a full-duplex, asynchronous system that can communicate with peripheral devices, such as personal computers, LIN/J2602, RS-232 and RS-485 interfaces. The module also supports a

hardware flow control option with the  $\overline{UxCTS}$  and  $\overline{UxRTS}$  pins, and also includes an IrDA® encoder and decoder.

**Note:** Hardware flow control using  $\overline{UxRTS}$  and  $\overline{UxCTS}$  is not available on all pin count devices. See the “**Pin Diagrams**” section for availability.

The primary features of the UARTx module are:

- Full-Duplex, 8 or 9-Bit Data Transmission through the  $UxTX$  and  $UxRX$  Pins
- Even, Odd or No Parity Options (for 8-bit data)
- One or Two Stop Bits
- Hardware Flow Control Option with  $\overline{UxCTS}$  and  $\overline{UxRTS}$  Pins
- Fully Integrated Baud Rate Generator with 16-Bit Prescaler
- Baud Rates Ranging from 4.375 Mbps to 67 bps at 16x mode at 70 MIPS
- Baud Rates Ranging from 17.5 Mbps to 267 bps at 4x mode at 70 MIPS
- 4-Deep First-In First-Out (FIFO) Transmit Data Buffer
- 4-Deep FIFO Receive Data Buffer
- Parity, Framing and Buffer Overrun Error Detection
- Support for 9-Bit mode with Address Detect (9<sup>th</sup> bit = 1)
- Transmit and Receive Interrupts
- A Separate Interrupt for All UART Error Conditions

**FIGURE 21-1: UARTx SIMPLIFIED BLOCK DIAGRAM**



## 21.1 UART Helpful Tips

1. In multi-node direct connect UART networks, UART receive inputs react to the complementary logic level defined by the URXINV bit (UxMODE<4>), which defines the Idle state, the default of which is logic high (i.e., URXINV = 0). Because remote devices do not initialize at the same time, it is likely that one of the devices, because the RX line is floating, will trigger a Start bit detection and will cause the first byte received, after the device has been initialized, to be invalid. To avoid this situation, the user should use a pull-up or pull-down resistor on the RX pin, depending on the value of the URXINV bit.
  - a) If URXINV = 0, use a pull-up resistor on the RX pin.
  - b) If URXINV = 1, use a pull-down resistor on the RX pin.
2. The first character received on wake-up from Sleep mode, caused by activity on the UxRX pin of the UART module, will be invalid. In Sleep mode, peripheral clocks are disabled. By the time the oscillator system has restarted and stabilized from Sleep mode, the baud rate bit sampling clock, relative to the incoming UxRX bit timing, is no longer synchronized, resulting in the first character being invalid. This is to be expected.



# dsPIC33EVXXGM00X/10X FAMILY

## 21.2 UART Control Registers

### REGISTER 21-1: UxMODE: UARTx MODE REGISTER

|                       |     |       |                     |       |     |       |       |
|-----------------------|-----|-------|---------------------|-------|-----|-------|-------|
| R/W-0                 | U-0 | R/W-0 | R/W-0               | R/W-0 | U-0 | R/W-0 | R/W-0 |
| UARTEN <sup>(1)</sup> | —   | USIDL | IREN <sup>(2)</sup> | RTSMD | —   | UEN1  | UEN0  |
| bit 15                |     |       |                     |       |     | bit 8 |       |

|           |        |           |        |       |        |        |       |
|-----------|--------|-----------|--------|-------|--------|--------|-------|
| R/W-0, HC | R/W-0  | R/W-0, HC | R/W-0  | R/W-0 | R/W-0  | R/W-0  | R/W-0 |
| WAKE      | LPBACK | ABAUD     | URXINV | BRGH  | PDSEL1 | PDSEL0 | STSEL |
| bit 7     |        |           |        |       |        | bit 0  |       |

|                   |                                    |
|-------------------|------------------------------------|
| <b>Legend:</b>    | HC = Hardware Clearable bit        |
| R = Readable bit  | W = Writable bit                   |
| -n = Value at POR | '1' = Bit is set                   |
|                   | '0' = Bit is cleared               |
|                   | x = Bit is unknown                 |
|                   | U = Unimplemented bit, read as '0' |

- bit 15      **UARTEN:** UARTx Enable bit<sup>(1)</sup>  
 1 = UARTx is enabled; all UARTx pins are controlled by UARTx as defined by UEN<1:0>  
 0 = UARTx is disabled; all UARTx pins are controlled by PORT latches; UARTx power consumption is minimal
- bit 14      **Unimplemented:** Read as '0'
- bit 13      **USIDL:** UARTx Stop in Idle Mode bit  
 1 = Discontinues module operation when the device enters Idle mode  
 0 = Continues module operation in Idle mode
- bit 12      **IREN:** IrDA<sup>®</sup> Encoder and Decoder Enable bit<sup>(2)</sup>  
 1 = IrDA encoder and decoder are enabled  
 0 = IrDA encoder and decoder are disabled
- bit 11      **RTSMD:** Mode Selection for  $\overline{\text{UxRTS}}$  Pin bit  
 1 =  $\overline{\text{UxRTS}}$  pin is in Simplex mode  
 0 =  $\overline{\text{UxRTS}}$  pin is in Flow Control mode
- bit 10      **Unimplemented:** Read as '0'
- bit 9-8     **UEN<1:0>:** UARTx Pin Enable bits  
 11 = UxTX, UxRX and BCLKx pins are enabled and used;  $\overline{\text{UxCTS}}$  pin is controlled by PORT latches<sup>(3)</sup>  
 10 = UxTX, UxRX,  $\overline{\text{UxCTS}}$  and  $\overline{\text{UxRTS}}$  pins are enabled and used<sup>(4)</sup>  
 01 = UxTX, UxRX and  $\overline{\text{UxRTS}}$  pins are enabled and used;  $\overline{\text{UxCTS}}$  pin is controlled by PORT latches<sup>(4)</sup>  
 00 = UxTX and UxRX pins are enabled and used;  $\overline{\text{UxCTS}}$  and  $\overline{\text{UxRTS}}$ /BCLKx pins are controlled by PORT latches
- bit 7      **WAKE:** UARTx Wake-up on Start bit Detect During Sleep Mode Enable bit  
 1 = UARTx continues to sample the UxRX pin; interrupt is generated on the falling edge, bit is cleared in hardware on the following rising edge  
 0 = Wake-up is not enabled
- bit 6      **LPBACK:** UARTx Loopback Mode Select bit  
 1 = Loopback mode is enabled  
 0 = Loopback mode is disabled

- Note 1:** Refer to “**Universal Asynchronous Receiver Transmitter (UART)**” (DS70000582) in the “*dsPIC33/PIC24 Family Reference Manual*” for information on enabling the UART module for receive or transmit operation.
- 2:** This feature is only available for the 16x BRG mode (BRGH = 0).
- 3:** This feature is only available on 44-pin and 64-pin devices.
- 4:** This feature is only available on 64-pin devices.

# dsPIC33EVXXGM00X/10X FAMILY

---

---

## REGISTER 21-1: UxMODE: UARTx MODE REGISTER (CONTINUED)

- bit 5      **ABAUD:** Auto-Baud Enable bit  
1 = Baud rate measurement on the next character is enabled – requires reception of a Sync field (55h) before other data; cleared in hardware upon completion  
0 = Baud rate measurement is disabled or has completed
- bit 4      **URXINV:** UARTx Receive Polarity Inversion bit  
1 = UxRX Idle state is '0'  
0 = UxRX Idle state is '1'
- bit 3      **BRGH:** High Baud Rate Enable bit  
1 = BRG generates 4 clocks per bit period (4x baud clock, High-Speed mode)  
0 = BRG generates 16 clocks per bit period (16x baud clock, Standard mode)
- bit 2-1    **PDSEL<1:0>:** Parity and Data Selection bits  
11 = 9-bit data, no parity  
10 = 8-bit data, odd parity  
01 = 8-bit data, even parity  
00 = 8-bit data, no parity
- bit 0      **STSEL:** Stop Bit Selection bit  
1 = Two Stop bits  
0 = One Stop bit

- Note 1:** Refer to “**Universal Asynchronous Receiver Transmitter (UART)**” (DS70000582) in the “*dsPIC33/PIC24 Family Reference Manual*” for information on enabling the UART module for receive or transmit operation.
- 2:** This feature is only available for the 16x BRG mode (BRGH = 0).
- 3:** This feature is only available on 44-pin and 64-pin devices.
- 4:** This feature is only available on 64-pin devices.

# dsPIC33EVXXGM00X/10X FAMILY

## REGISTER 21-2: UxSTA: UARTx STATUS AND CONTROL REGISTER

|          |        |          |     |           |                      |       |      |
|----------|--------|----------|-----|-----------|----------------------|-------|------|
| R/W-0    | R/W-0  | R/W-0    | U-0 | R/W-0, HC | R/W-0                | R-0   | R-1  |
| UTXISEL1 | UTXINV | UTXISEL0 | —   | UTXBRK    | UTXEN <sup>(1)</sup> | UTXBF | TRMT |
| bit 15   |        |          |     |           |                      | bit 8 |      |

|          |          |       |       |      |      |       |       |
|----------|----------|-------|-------|------|------|-------|-------|
| R/W-0    | R/W-0    | R/W-0 | R-1   | R-0  | R-0  | R/C-0 | R-0   |
| URXISEL1 | URXISEL0 | ADDEN | RIDLE | PERR | FERR | OERR  | URXDA |
| bit 7    |          |       |       |      |      | bit 0 |       |

|                   |                   |                                    |
|-------------------|-------------------|------------------------------------|
| <b>Legend:</b>    | C = Clearable bit | HC = Hardware Clearable bit        |
| R = Readable bit  | W = Writable bit  | U = Unimplemented bit, read as '0' |
| -n = Value at POR | '1' = Bit is set  | '0' = Bit is cleared               |
|                   |                   | x = Bit is unknown                 |

- bit 15,13 **UTXISEL<1:0>**: UARTx Transmission Interrupt Mode Selection bits  
 11 = Reserved; do not use  
 10 = Interrupt when a character is transferred to the Transmit Shift Register (TSR), and as a result, the transmit buffer becomes empty  
 01 = Interrupt when the last character is shifted out of the Transmit Shift Register; all transmit operations are completed  
 00 = Interrupt when a character is transferred to the Transmit Shift Register (this implies there is at least one character open in the transmit buffer)
- bit 14 **UTXINV**: UARTx Transmit Polarity Inversion bit  
 If IREN = 0:  
 1 = UxTX Idle state is '0'  
 0 = UxTX Idle state is '1'  
 If IREN = 1:  
 1 = IrDA<sup>®</sup> encoded UxTX Idle state is '1'  
 0 = IrDA encoded UxTX Idle state is '0'
- bit 12 **Unimplemented**: Read as '0'
- bit 11 **UTXBRK**: UARTx Transmit Break bit  
 1 = Sends Sync Break on next transmission – Start bit, followed by twelve '0' bits, followed by Stop bit; cleared by hardware upon completion  
 0 = Sync Break transmission is disabled or has completed
- bit 10 **UTXEN**: UARTx Transmit Enable bit<sup>(1)</sup>  
 1 = Transmit is enabled, UxTX pin is controlled by UARTx  
 0 = Transmit is disabled, any pending transmission is aborted and the buffer is reset; UxTX pin is controlled by the PORT
- bit 9 **UTXBF**: UARTx Transmit Buffer Full Status bit (read-only)  
 1 = Transmit buffer is full  
 0 = Transmit buffer is not full, at least one more character can be written
- bit 8 **TRMT**: Transmit Shift Register (TSR) Empty bit (read-only)  
 1 = Transmit Shift Register is empty and transmit buffer is empty (the last transmission has completed)  
 0 = Transmit Shift Register is not empty, a transmission is in progress or queued
- bit 7-6 **URXISEL<1:0>**: UARTx Receive Interrupt Mode Selection bits  
 11 = Interrupt is set on UxRSR transfer, making the receive buffer full (i.e., has 4 data characters)  
 10 = Interrupt is set on UxRSR transfer, making the receive buffer 3/4 full (i.e., has 3 data characters)  
 0x = Interrupt is set when any character is received and transferred from the UxRSR to the receive buffer; receive buffer has one or more characters

**Note 1:** Refer to “**Universal Asynchronous Receiver Transmitter (UART)**” (DS70000582) in the “*dsPIC33/PIC24 Family Reference Manual*” for information on enabling the UART module for transmit operation.

# dsPIC33EVXXGM00X/10X FAMILY

---

---

## REGISTER 21-2: UxSTA: UARTx STATUS AND CONTROL REGISTER (CONTINUED)

- bit 5      **ADDEN:** Address Character Detect bit (bit 8 of received data = 1)  
1 = Address Detect mode is enabled; if 9-bit mode is not selected, this does not take effect  
0 = Address Detect mode is disabled
- bit 4      **RIDLE:** Receiver Idle bit (read-only)  
1 = Receiver is Idle  
0 = Receiver is active
- bit 3      **PERR:** Parity Error Status bit (read-only)  
1 = Parity error has been detected for the current character (character at the top of the receive FIFO)  
0 = Parity error has not been detected
- bit 2      **FERR:** Framing Error Status bit (read-only)  
1 = Framing error has been detected for the current character (character at the top of the receive FIFO)  
0 = Framing error has not been detected
- bit 1      **OERR:** Receive Buffer Overrun Error Status bit (clear/read-only)  
1 = Receive buffer has overflowed  
0 = Receive buffer has not overflowed; clearing a previously set OERR bit (1 → 0 transition) resets the receive buffer and the UxRSR to the empty state
- bit 0      **URXDA:** UARTx Receive Buffer Data Available bit (read-only)  
1 = Receive buffer has data, at least one more character can be read  
0 = Receive buffer is empty

**Note 1:** Refer to “**Universal Asynchronous Receiver Transmitter (UART)**” (DS70000582) in the “*dsPIC33/PIC24 Family Reference Manual*” for information on enabling the UART module for transmit operation.

## 22.0 CONTROLLER AREA NETWORK (CAN) MODULE (dsPIC33EVXXGM10X DEVICES ONLY)

**Note 1:** This data sheet summarizes the features of the dsPIC33EVXXGM00X/10X family of devices. It is not intended to be a comprehensive reference source. To complement the information in this data sheet, refer to “**Enhanced Controller Area Network (ECAN™)**” (DS70353) in the “*dsPIC33/PIC24 Family Reference Manual*”, which is available from the Microchip web site ([www.microchip.com](http://www.microchip.com)).

**2:** Some registers and associated bits described in this section may not be available on all devices. Refer to [Section 4.0 “Memory Organization”](#) in this data sheet for device-specific register and bit information.

### 22.1 Overview

The Controller Area Network (CAN) module is a serial interface, useful for communicating with other CAN modules or microcontroller devices. This interface/protocol was designed to allow communications within noisy environments. The dsPIC33EVXXGM10X devices contain one CAN module.

The CAN module is a communication controller implementing the CAN 2.0 A/B protocol, as defined in the BOSCH CAN specification. The module supports CAN 1.2, CAN 2.0A, CAN 2.0B Passive and CAN 2.0B Active versions of the protocol. The module implementation is a full CAN system. The CAN specification is not covered within this data sheet. The reader can refer to the BOSCH CAN specification for further details.

The CAN module features are as follows:

- Implementation of the CAN Protocol, CAN 1.2, CAN 2.0A and CAN 2.0B
- Standard and Extended Data Frames
- 0 to 8-Byte Data Length
- Programmable Bit Rate, up to 1 Mbit/sec
- Automatic Response to Remote Transmission Requests
- Up to Eight Transmit Buffers with Application Specified Prioritization and Abort Capability (each buffer can contain up to 8 bytes of data)
- Up to 32 Receive Buffers (each buffer can contain up to 8 bytes of data)
- Up to 16 Full (Standard/Extended Identifier) Acceptance Filters
- Three Full Acceptance Filter Masks
- DeviceNet™ Addressing Support
- Programmable Wake-up Functionality with Integrated Low-Pass Filter
- Programmable Loopback Mode Supports Self-Test Operation
- Signaling through Interrupt Capabilities for All CAN Receiver and Transmitter Error States
- Programmable Clock Source
- Programmable Link to Input Capture 2 (IC2) module for Timestamping and Network Synchronization
- Low-Power Sleep and Idle Modes

The CAN bus module consists of a protocol engine and message buffering/control. The CAN protocol engine handles all functions for receiving and transmitting messages on the CAN bus. Messages are transmitted by first loading the appropriate data registers. Status and errors can be checked by reading the appropriate registers. Any message detected on the CAN bus is checked for errors, and then matched against filters to see if it should be received and stored in one of the Receive registers.

[Figure 22-1](#) shows a block diagram of the CANx module.

# dsPIC33EVXXXGM00X/10X FAMILY

FIGURE 22-1: CANx MODULE BLOCK DIAGRAM



## 22.2 Modes of Operation

The CANx module can operate in one of several operation modes selected by the user. These modes include:

- Initialization mode
- Disable mode
- Normal Operation mode
- Listen Only mode
- Listen All Messages mode
- Loopback mode

Modes are requested by setting the REQOP<2:0> bits (CxCTRL1<10:8>). Entry into a mode is Acknowledged by monitoring the OPMODE<2:0> bits (CxCTRL1<7:5>). The module does not change the mode and the OPMODEx bits until a change in mode is acceptable, generally during bus Idle time, which is defined as at least 11 consecutive recessive bits.

# dsPIC33EVXXGM00X/10X FAMILY

## 22.3 CAN Control Registers

### REGISTER 22-1: CxCTRL1: CANx CONTROL REGISTER 1

|        |     |       |       |        |        |        |        |
|--------|-----|-------|-------|--------|--------|--------|--------|
| U-0    | U-0 | R/W-0 | R/W-0 | R/W-0  | R/W-1  | R/W-0  | R/W-0  |
| —      | —   | CSIDL | ABAT  | CANCKS | REQOP2 | REQOP1 | REQOP0 |
| bit 15 |     |       |       |        |        |        | bit 8  |

|         |         |         |     |        |     |     |       |
|---------|---------|---------|-----|--------|-----|-----|-------|
| R-1     | R-0     | R-0     | U-0 | R/W-0  | U-0 | U-0 | R/W-0 |
| OPMODE2 | OPMODE1 | OPMODE0 | —   | CANCAP | —   | —   | WIN   |
| bit 7   |         |         |     |        |     |     | bit 0 |

#### Legend:

|                   |                  |                                    |
|-------------------|------------------|------------------------------------|
| R = Readable bit  | W = Writable bit | U = Unimplemented bit, read as '0' |
| -n = Value at POR | '1' = Bit is set | '0' = Bit is cleared               |
|                   |                  | x = Bit is unknown                 |

- bit 15-14     **Unimplemented:** Read as '0'
- bit 13       **CSIDL:** CANx Stop in Idle Mode bit  
1 = Discontinues module operation when the device enters Idle mode  
0 = Continues module operation in Idle mode
- bit 12       **ABAT:** Abort All Pending Transmissions bit  
1 = Signals all transmit buffers to abort transmission  
0 = Module will clear this bit when all transmissions are aborted
- bit 11       **CANCKS:** CANx Module Clock (FCAN) Source Select bit  
1 = FCAN is equal to 2 \* FP  
0 = FCAN is equal to FP
- bit 10-8     **REQOP<2:0>:** Request Operation Mode bits  
111 = Sets Listen All Messages mode  
110 = Reserved  
101 = Reserved  
100 = Sets Configuration mode  
011 = Sets Listen Only mode  
010 = Sets Loopback mode  
001 = Sets Disable mode  
000 = Sets Normal Operation mode
- bit 7-5      **OPMODE<2:0>:** Operation Mode bits  
111 = Module is in Listen All Messages mode  
110 = Reserved  
101 = Reserved  
100 = Module is in Configuration mode  
011 = Module is in Listen Only mode  
010 = Module is in Loopback mode  
001 = Module is in Disable mode  
000 = Module is in Normal Operation mode
- bit 4        **Unimplemented:** Read as '0'
- bit 3        **CANCAP:** CANx Message Receive Timer Capture Event Enable bit  
1 = Enables input capture based on CAN message receive  
0 = Disables CAN capture
- bit 2-1      **Unimplemented:** Read as '0'
- bit 0        **WIN:** SFR Map Window Select bit  
1 = Uses filter window  
0 = Uses buffer window

# dsPIC33EVXXGM00X/10X FAMILY

## REGISTER 22-2: CxCTRL2: CANx CONTROL REGISTER 2

|        |     |     |     |     |     |       |     |
|--------|-----|-----|-----|-----|-----|-------|-----|
| U-0    | U-0 | U-0 | U-0 | U-0 | U-0 | U-0   | U-0 |
| —      | —   | —   | —   | —   | —   | —     | —   |
| bit 15 |     |     |     |     |     | bit 8 |     |

|       |     |     |            |     |     |       |     |
|-------|-----|-----|------------|-----|-----|-------|-----|
| U-0   | U-0 | U-0 | R-0        | R-0 | R-0 | R-0   | R-0 |
| —     | —   | —   | DNCNT<4:0> |     |     |       |     |
| bit 7 |     |     |            |     |     | bit 0 |     |

### Legend:

|                   |                  |  |
|-------------------|------------------|--|
| R = Readable bit  | W = Writable bit | U = Unimplemented bit, read as '0'           |
| -n = Value at POR | '1' = Bit is set | '0' = Bit is cleared      x = Bit is unknown |

bit 15-5      **Unimplemented:** Read as '0'

bit 4-0      **DNCNT<4:0>:** DeviceNet™ Filter Bit Number bits  
 10010-11111 = Invalid selection  
 10001 = Compare up to Data Byte 3, bit 6 with EID<17>  
 •  
 •  
 •  
 00001 = Compare up to Data Byte 1, bit 7 with EID<0>  
 00000 = Do not compare data bytes



# dsPIC33EVXXGM00X/10X FAMILY

## REGISTER 22-3: CxVEC: CANx INTERRUPT CODE REGISTER

|        |     |     |         |         |         |         |         |
|--------|-----|-----|---------|---------|---------|---------|---------|
| U-0    | U-0 | U-0 | R-0     | R-0     | R-0     | R-0     | R-0     |
| —      | —   | —   | FILHIT4 | FILHIT3 | FILHIT2 | FILHIT1 | FILHIT0 |
| bit 15 |     |     |         |         |         |         | bit 8   |

|       |        |        |        |        |        |        |        |
|-------|--------|--------|--------|--------|--------|--------|--------|
| U-0   | R-1    | R-0    | R-0    | R-0    | R-0    | R-0    | R-0    |
| —     | ICODE6 | ICODE5 | ICODE4 | ICODE3 | ICODE2 | ICODE1 | ICODE0 |
| bit 7 |        |        |        |        |        |        | bit 0  |

### Legend:

R = Readable bit                      W = Writable bit                      U = Unimplemented bit, read as '0'  
-n = Value at POR                      '1' = Bit is set                      '0' = Bit is cleared                      x = Bit is unknown

bit 15-13        **Unimplemented:** Read as '0'

bit 12-8        **FILHIT<4:0>:** Filter Hit Number bits  
10000-11111 = Reserved  
01111 = Filter 15  
•  
•  
•  
00001 = Filter 1  
00000 = Filter 0

bit 7            **Unimplemented:** Read as '0'

bit 6-0        **ICODE<6:0>:** Interrupt Flag Code bits  
1000101-1111111 = Reserved  
1000100 = FIFO almost full interrupt  
1000011 = Receiver overflow interrupt  
1000010 = Wake-up interrupt  
1000001 = Error interrupt  
1000000 = No interrupt  
•  
•  
•  
0010000-0111111 = Reserved  
0001111 = RB15 buffer interrupt  
•  
•  
•  
0001001 = RB9 buffer interrupt  
0001000 = RB8 buffer interrupt  
0000111 = TRB7 buffer interrupt  
0000110 = TRB6 buffer interrupt  
0000101 = TRB5 buffer interrupt  
0000100 = TRB4 buffer interrupt  
0000011 = TRB3 buffer interrupt  
0000010 = TRB2 buffer interrupt  
0000001 = TRB1 buffer interrupt  
0000000 = TRB0 Buffer interrupt

# dsPIC33EVXXGM00X/10X FAMILY

## REGISTER 22-4: CxCTRL: CANx FIFO CONTROL REGISTER

|        |        |        |     |     |     |       |     |
|--------|--------|--------|-----|-----|-----|-------|-----|
| R/W-0  | R/W-0  | R/W-0  | U-0 | U-0 | U-0 | U-0   | U-0 |
| DMABS2 | DMABS1 | DMABS0 | —   | —   | —   | —     | —   |
| bit 15 |        |        |     |     |     | bit 8 |     |

|       |     |       |       |       |       |       |       |
|-------|-----|-------|-------|-------|-------|-------|-------|
| U-0   | U-0 | R/W-0 | R/W-0 | R/W-0 | R/W-0 | R/W-0 | R/W-0 |
| —     | —   | FSA5  | FSA4  | FSA3  | FSA2  | FSA1  | FSA0  |
| bit 7 |     |       |       |       |       | bit 0 |       |

### Legend:

|                   |                  |                                    |
|-------------------|------------------|------------------------------------|
| R = Readable bit  | W = Writable bit | U = Unimplemented bit, read as '0' |
| -n = Value at POR | '1' = Bit is set | '0' = Bit is cleared               |
|                   |                  | x = Bit is unknown                 |

bit 15-13 **DMABS<2:0>**: DMA Buffer Size bits

- 111 = Reserved
- 110 = 32 buffers in RAM
- 101 = 24 buffers in RAM
- 100 = 16 buffers in RAM
- 011 = 12 buffers in RAM
- 010 = 8 buffers in RAM
- 001 = 6 buffers in RAM
- 000 = 4 buffers in RAM

bit 12-6 **Unimplemented**: Read as '0'

bit 5-0 **FSA<5:0>**: FIFO Area Starts with Buffer bits

- 11111 = Receive Buffer RB31
- 11110 = Receive Buffer RB30
- 
- 
- 
- 00001 = TX/RX Buffer TRB1
- 00000 = TX/RX Buffer TRB0

# dsPIC33EVXXGM00X/10X FAMILY

## REGISTER 22-5: CxFIFO: CANx FIFO STATUS REGISTER

|        |     |      |      |      |      |      |       |
|--------|-----|------|------|------|------|------|-------|
| U-0    | U-0 | R-0  | R-0  | R-0  | R-0  | R-0  | R-0   |
| —      | —   | FBP5 | FBP4 | FBP3 | FBP2 | FBP1 | FBP0  |
| bit 15 |     |      |      |      |      |      | bit 8 |

|       |     |       |       |       |       |       |       |
|-------|-----|-------|-------|-------|-------|-------|-------|
| U-0   | U-0 | R-0   | R-0   | R-0   | R-0   | R-0   | R-0   |
| —     | —   | FNRB5 | FNRB4 | FNRB3 | FNRB2 | FNRB1 | FNRB0 |
| bit 7 |     |       |       |       |       |       | bit 0 |

### Legend:

R = Readable bit                      W = Writable bit                      U = Unimplemented bit, read as '0'  
 -n = Value at POR                      '1' = Bit is set                      '0' = Bit is cleared                      x = Bit is unknown

bit 15-14      **Unimplemented:** Read as '0'

bit 13-8      **FBP<5:0>:** FIFO Buffer Pointer bits

011111 = RB31 buffer

011110 = RB30 buffer

•

•

•

000001 = TRB1 buffer

000000 = TRB0 buffer

bit 7-6      **Unimplemented:** Read as '0'

bit 5-0      **FNRB<5:0>:** FIFO Next Read Buffer Pointer bits

011111 = RB31 buffer

011110 = RB30 buffer

•

•

•

000001 = TRB1 buffer

000000 = TRB0 buffer

# dsPIC33EVXXGM00X/10X FAMILY

## REGISTER 22-6: CxINTF: CANx INTERRUPT FLAG REGISTER

|        |     |      |      |      |       |       |       |
|--------|-----|------|------|------|-------|-------|-------|
| U-0    | U-0 | R-0  | R-0  | R-0  | R-0   | R-0   | R-0   |
| —      | —   | TXBO | TXBP | RXBP | TXWAR | RXWAR | EWARN |
| bit 15 |     |      |      |      |       |       | bit 8 |

|       |       |       |     |        |        |       |       |
|-------|-------|-------|-----|--------|--------|-------|-------|
| R/C-0 | R/C-0 | R/C-0 | U-0 | R/C-0  | R/C-0  | R/C-0 | R/C-0 |
| IVRIF | WAKIF | ERRIF | —   | FIFOIF | RBOVIF | RBIF  | TBIF  |
| bit 7 |       |       |     |        |        |       | bit 0 |

|                   |  |
|-------------------|--|
| <b>Legend:</b>    | C = Writable bit, but only '0' can be written to clear the bit     |
| R = Readable bit  | W = Writable bit      U = Unimplemented bit, read as '0'           |
| -n = Value at POR | '1' = Bit is set      '0' = Bit is cleared      x = Bit is unknown |

- bit 15-14      **Unimplemented:** Read as '0'
- bit 13      **TXBO:** Transmitter in Error State Bus Off bit  
1 = Transmitter is in Bus Off state  
0 = Transmitter is not in Bus Off state
- bit 12      **TXBP:** Transmitter in Error State Bus Passive bit  
1 = Transmitter is in Bus Passive state  
0 = Transmitter is not in Bus Passive state
- bit 11      **RXBP:** Receiver in Error State Bus Passive bit  
1 = Receiver is in Bus Passive state  
0 = Receiver is not in Bus Passive state
- bit 10      **TXWAR:** Transmitter in Error State Warning bit  
1 = Transmitter is in Error Warning state  
0 = Transmitter is not in Error Warning state
- bit 9      **RXWAR:** Receiver in Error State Warning bit  
1 = Receiver is in Error Warning state  
0 = Receiver is not in Error Warning state
- bit 8      **EWARN:** Transmitter or Receiver in Error State Warning bit  
1 = Transmitter or receiver is in Error Warning state  
0 = Transmitter or receiver is not in Error Warning state
- bit 7      **IVRIF:** Invalid Message Interrupt Flag bit  
1 = Interrupt request has occurred  
0 = Interrupt request has not occurred
- bit 6      **WAKIF:** Bus Wake-up Activity Interrupt Flag bit  
1 = Interrupt request has occurred  
0 = Interrupt request has not occurred
- bit 5      **ERRIF:** Error Interrupt Flag bit (multiple sources in CxINTF<13:8> register)  
1 = Interrupt request has occurred  
0 = Interrupt request has not occurred
- bit 4      **Unimplemented:** Read as '0'
- bit 3      **FIFOIF:** FIFO Almost Full Interrupt Flag bit  
1 = Interrupt request has occurred  
0 = Interrupt request has not occurred
- bit 2      **RBOVIF:** RX Buffer Overflow Interrupt Flag bit  
1 = Interrupt request has occurred  
0 = Interrupt request has not occurred

# dsPIC33EVXXGM00X/10X FAMILY

## REGISTER 22-6: CxINTF: CANx INTERRUPT FLAG REGISTER (CONTINUED)

- bit 1        **RBIF:** RX Buffer Interrupt Flag bit  
              1 = Interrupt request has occurred  
              0 = Interrupt request has not occurred
  
- bit 0        **TBIF:** TX Buffer Interrupt Flag bit  
              1 = Interrupt request has occurred  
              0 = Interrupt request has not occurred

## REGISTER 22-7: CxINTE: CANx INTERRUPT ENABLE REGISTER

|        |     |     |     |     |     |       |     |
|--------|-----|-----|-----|-----|-----|-------|-----|
| U-0    | U-0 | U-0 | U-0 | U-0 | U-0 | U-0   | U-0 |
| —      | —   | —   | —   | —   | —   | —     | —   |
| bit 15 |     |     |     |     |     | bit 8 |     |

|       |       |       |     |        |        |       |       |
|-------|-------|-------|-----|--------|--------|-------|-------|
| R/W-0 | R/W-0 | R/W-0 | U-0 | R/W-0  | R/W-0  | R/W-0 | R/W-0 |
| IVRIE | WAKIE | ERRIE | —   | FIFOIE | RBOVIE | RBIE  | TBIE  |
| bit 7 |       |       |     |        |        | bit 0 |       |

|                   |                  |                                    |                    |
|-------------------|------------------|------------------------------------|--------------------|
| <b>Legend:</b>    |                  |                                    |                    |
| R = Readable bit  | W = Writable bit | U = Unimplemented bit, read as '0' |                    |
| -n = Value at POR | '1' = Bit is set | '0' = Bit is cleared               | x = Bit is unknown |

- bit 15-8     **Unimplemented:** Read as '0'
  
- bit 7        **IVRIE:** Invalid Message Interrupt Enable bit  
              1 = Interrupt request is enabled  
              0 = Interrupt request is not enabled
  
- bit 6        **WAKIE:** Bus Wake-up Activity Interrupt Enable bit  
              1 = Interrupt request is enabled  
              0 = Interrupt request is not enabled
  
- bit 5        **ERRIE:** Error Interrupt Enable bit  
              1 = Interrupt request is enabled  
              0 = Interrupt request is not enabled
  
- bit 4        **Unimplemented:** Read as '0'
  
- bit 3        **FIFOIE:** FIFO Almost Full Interrupt Enable bit  
              1 = Interrupt request is enabled  
              0 = Interrupt request is not enabled
  
- bit 2        **RBOVIE:** RX Buffer Overflow Interrupt Enable bit  
              1 = Interrupt request is enabled  
              0 = Interrupt request is not enabled
  
- bit 1        **RBIE:** RX Buffer Interrupt Enable bit  
              1 = Interrupt request is enabled  
              0 = Interrupt request is not enabled
  
- bit 0        **TBIE:** TX Buffer Interrupt Enable bit  
              1 = Interrupt request is enabled  
              0 = Interrupt request is not enabled

# dsPIC33EVXXGM00X/10X FAMILY

## REGISTER 22-8: CxEC: CANx TRANSMIT/RECEIVE ERROR COUNT REGISTER

|              |     |     |     |     |     |     |     |
|--------------|-----|-----|-----|-----|-----|-----|-----|
| R-0          | R-0 | R-0 | R-0 | R-0 | R-0 | R-0 | R-0 |
| TERRCNT<7:0> |     |     |     |     |     |     |     |
| bit 15       |     |     |     |     |     |     |     |
| bit 8        |     |     |     |     |     |     |     |

|              |     |     |     |     |     |     |     |
|--------------|-----|-----|-----|-----|-----|-----|-----|
| R-0          | R-0 | R-0 | R-0 | R-0 | R-0 | R-0 | R-0 |
| RERRCNT<7:0> |     |     |     |     |     |     |     |
| bit 7        |     |     |     |     |     |     |     |
| bit 0        |     |     |     |     |     |     |     |

### Legend:

R = Readable bit                      W = Writable bit                      U = Unimplemented bit, read as '0'  
 -n = Value at POR                      '1' = Bit is set                      '0' = Bit is cleared                      x = Bit is unknown

bit 15-8                      **TERRCNT<7:0>**: Transmit Error Count bits  
 bit 7-0                      **RERRCNT<7:0>**: Receive Error Count bits

## REGISTER 22-9: CxCFG1: CANx BAUD RATE CONFIGURATION REGISTER 1

|        |     |     |     |     |     |     |     |
|--------|-----|-----|-----|-----|-----|-----|-----|
| U-0    | U-0 | U-0 | U-0 | U-0 | U-0 | U-0 | U-0 |
| —      | —   | —   | —   | —   | —   | —   | —   |
| bit 15 |     |     |     |     |     |     |     |
| bit 8  |     |     |     |     |     |     |     |

|       |       |       |       |       |       |       |       |
|-------|-------|-------|-------|-------|-------|-------|-------|
| R/W-0 | R/W-0 | R/W-0 | R/W-0 | R/W-0 | R/W-0 | R/W-0 | R/W-0 |
| SJW1  | SJW0  | BRP5  | BRP4  | BRP3  | BRP2  | BRP1  | BRP0  |
| bit 7 |       |       |       |       |       |       |       |
| bit 0 |       |       |       |       |       |       |       |

### Legend:

R = Readable bit                      W = Writable bit                      U = Unimplemented bit, read as '0'  
 -n = Value at POR                      '1' = Bit is set                      '0' = Bit is cleared                      x = Bit is unknown

bit 15-8                      **Unimplemented:** Read as '0'  
 bit 7-6                      **SJW<1:0>**: Synchronization Jump Width bits  
                                     11 = Length is 4 x TQ  
                                     10 = Length is 3 x TQ  
                                     01 = Length is 2 x TQ  
                                     00 = Length is 1 x TQ  
 bit 5-0                      **BRP<5:0>**: Baud Rate Prescaler bits  
                                     11 1111 = TQ = 2 x 64 x 1/FCAN  
                                     •  
                                     •  
                                     •  
                                     00 0010 = TQ = 2 x 3 x 1/FCAN  
                                     00 0001 = TQ = 2 x 2 x 1/FCAN  
                                     00 0000 = TQ = 2 x 1 x 1/FCAN

# dsPIC33EVXXGM00X/10X FAMILY

## REGISTER 22-10: CxCFG2: CANx BAUD RATE CONFIGURATION REGISTER 2

|        |        |     |     |     |         |         |         |
|--------|--------|-----|-----|-----|---------|---------|---------|
| U-0    | R/W-x  | U-0 | U-0 | U-0 | R/W-x   | R/W-x   | R/W-x   |
| —      | WAKFIL | —   | —   | —   | SEG2PH2 | SEG2PH1 | SEG2PH0 |
| bit 15 |        |     |     |     |         | bit 8   |         |

|          |       |         |         |         |        |        |        |
|----------|-------|---------|---------|---------|--------|--------|--------|
| R/W-x    | R/W-x | R/W-x   | R/W-x   | R/W-x   | R/W-x  | R/W-x  | R/W-x  |
| SEG2PHTS | SAM   | SEG1PH2 | SEG1PH1 | SEG1PH0 | PRSEG2 | PRSEG1 | PRSEG0 |
| bit 7    |       |         |         |         |        | bit 0  |        |

|                   |                  |                                    |                    |
|-------------------|------------------|------------------------------------|--------------------|
| <b>Legend:</b>    |                  |                                    |                    |
| R = Readable bit  | W = Writable bit | U = Unimplemented bit, read as '0' |                    |
| -n = Value at POR | '1' = Bit is set | '0' = Bit is cleared               | x = Bit is unknown |

- bit 15      **Unimplemented:** Read as '0'
- bit 14      **WAKFIL:** Select CAN Bus Line Filter for Wake-up bit
  - 1 = Uses CAN bus line filter for wake-up
  - 0 = CAN bus line filter is not used for wake-up
- bit 13-11    **Unimplemented:** Read as '0'
- bit 10-8     **SEG2PH<2:0>:** Phase Segment 2 bits
  - 111 = Length is 8 x Tq
  - 
  - 
  - 
  - 000 = Length is 1 x Tq
- bit 7        **SEG2PHTS:** Phase Segment 2 Time Select bit
  - 1 = Freely programmable
  - 0 = Maximum of SEG1PH<2:0> bits or Information Processing Time (IPT), whichever is greater
- bit 6        **SAM:** Sample of the CAN Bus Line bit
  - 1 = Bus line is sampled three times at the sample point
  - 0 = Bus line is sampled once at the sample point
- bit 5-3      **SEG1PH<2:0>:** Phase Segment 1 bits
  - 111 = Length is 8 x Tq
  - 
  - 
  - 
  - 000 = Length is 1 x Tq
- bit 2-0      **PRSEG<2:0>:** Propagation Time Segment bits
  - 111 = Length is 8 x Tq
  - 
  - 
  - 
  - 000 = Length is 1 x Tq

# dsPIC33EVXXGM00X/10X FAMILY

## REGISTER 22-11: CxFEN1: CANx ACCEPTANCE FILTER ENABLE REGISTER 1

|             |       |       |       |       |       |       |       |
|-------------|-------|-------|-------|-------|-------|-------|-------|
| R/W-1       | R/W-1 | R/W-1 | R/W-1 | R/W-1 | R/W-1 | R/W-1 | R/W-1 |
| FLTEN<15:8> |       |       |       |       |       |       |       |
| bit 15      |       |       |       |       |       |       |       |
| bit 8       |       |       |       |       |       |       |       |

|            |       |       |       |       |       |       |       |
|------------|-------|-------|-------|-------|-------|-------|-------|
| R/W-1      | R/W-1 | R/W-1 | R/W-1 | R/W-1 | R/W-1 | R/W-1 | R/W-1 |
| FLTEN<7:0> |       |       |       |       |       |       |       |
| bit 7      |       |       |       |       |       |       |       |
| bit 0      |       |       |       |       |       |       |       |

### Legend:

R = Readable bit                      W = Writable bit                      U = Unimplemented bit, read as '0'  
-n = Value at POR                      '1' = Bit is set                      '0' = Bit is cleared                      x = Bit is unknown

bit 15-0                      **FLTEN<15:0>**: Enable Filter n to Accept Messages bits  
1 = Enables Filter n  
0 = Disables Filter n

## REGISTER 22-12: CxBUFNT1: CANx FILTERS 0-3 BUFFER POINTER REGISTER 1

|        |       |       |       |       |       |       |       |
|--------|-------|-------|-------|-------|-------|-------|-------|
| R/W-0  | R/W-0 | R/W-0 | R/W-0 | R/W-0 | R/W-0 | R/W-0 | R/W-0 |
| F3BP3  | F3BP2 | F3BP1 | F3BP0 | F2BP3 | F2BP2 | F2BP1 | F2BP0 |
| bit 15 |       |       |       |       |       |       |       |
| bit 8  |       |       |       |       |       |       |       |

|       |       |       |       |       |       |       |       |
|-------|-------|-------|-------|-------|-------|-------|-------|
| R/W-0 | R/W-0 | R/W-0 | R/W-0 | R/W-0 | R/W-0 | R/W-0 | R/W-0 |
| F1BP3 | F1BP2 | F1BP1 | F1BP0 | F0BP3 | F0BP2 | F0BP1 | F0BP0 |
| bit 7 |       |       |       |       |       |       |       |
| bit 0 |       |       |       |       |       |       |       |

### Legend:

R = Readable bit                      W = Writable bit                      U = Unimplemented bit, read as '0'  
-n = Value at POR                      '1' = Bit is set                      '0' = Bit is cleared                      x = Bit is unknown

bit 15-12                      **F3BP<3:0>**: RX Buffer Mask for Filter 3 bits  
1111 = Filter hits received in RX FIFO buffer  
1110 = Filter hits received in RX Buffer 14  
.  
.  
.  
0001 = Filter hits received in RX Buffer 1  
0000 = Filter hits received in RX Buffer 0

bit 11-8                      **F2BP<3:0>**: RX Buffer Mask for Filter 2 bits (same values as bits 15-12)

bit 7-4                      **F1BP<3:0>**: RX Buffer Mask for Filter 1 bits (same values as bits 15-12)

bit 3-0                      **F0BP<3:0>**: RX Buffer Mask for Filter 0 bits (same values as bits 15-12)



# dsPIC33EVXXGM00X/10X FAMILY

## REGISTER 22-13: CxBUFNT2: CANx FILTERS 4-7 BUFFER POINTER REGISTER 2

|        |       |       |       |       |       |       |       |
|--------|-------|-------|-------|-------|-------|-------|-------|
| R/W-0  | R/W-0 | R/W-0 | R/W-0 | R/W-0 | R/W-0 | R/W-0 | R/W-0 |
| F7BP3  | F7BP2 | F7BP1 | F7BP0 | F6BP3 | F6BP2 | F6BP1 | F6BP0 |
| bit 15 |       |       |       |       |       |       | bit 8 |

|       |       |       |       |       |       |       |       |
|-------|-------|-------|-------|-------|-------|-------|-------|
| R/W-0 | R/W-0 | R/W-0 | R/W-0 | R/W-0 | R/W-0 | R/W-0 | R/W-0 |
| F5BP3 | F5BP2 | F5BP1 | F5BP0 | F4BP3 | F4BP2 | F4BP1 | F4BP0 |
| bit 7 |       |       |       |       |       |       | bit 0 |

### Legend:

|                   |                  |                                    |
|-------------------|------------------|------------------------------------|
| R = Readable bit  | W = Writable bit | U = Unimplemented bit, read as '0' |
| -n = Value at POR | '1' = Bit is set | '0' = Bit is cleared               |
|                   |                  | x = Bit is unknown                 |

- bit 15-12     **F7BP<3:0>**: RX Buffer Mask for Filter 7 bits  
 1111 = Filter hits received in RX FIFO buffer  
 1110 = Filter hits received in RX Buffer 14  
 •  
 •  
 •  
 0001 = Filter hits received in RX Buffer 1  
 0000 = Filter hits received in RX Buffer 0
- bit 11-8     **F6BP<3:0>**: RX Buffer Mask for Filter 6 bits (same values as bits 15-12)
- bit 7-4     **F5BP<3:0>**: RX Buffer Mask for Filter 5 bits (same values as bits 15-12)
- bit 3-0     **F4BP<3:0>**: RX Buffer Mask for Filter 4 bits (same values as bits 15-12)

# dsPIC33EVXXGM00X/10X FAMILY

## REGISTER 22-14: CxBUFPNT3: CANx FILTERS 8-11 BUFFER POINTER REGISTER 3

|        |        |        |        |        |        |        |        |
|--------|--------|--------|--------|--------|--------|--------|--------|
| R/W-0  | R/W-0  | R/W-0  | R/W-0  | R/W-0  | R/W-0  | R/W-0  | R/W-0  |
| F11BP3 | F11BP2 | F11BP1 | F11BP0 | F10BP3 | F10BP2 | F10BP1 | F10BP0 |
| bit 15 |        |        |        |        |        |        | bit 8  |

|       |       |       |       |       |       |       |       |
|-------|-------|-------|-------|-------|-------|-------|-------|
| R/W-0 | R/W-0 | R/W-0 | R/W-0 | R/W-0 | R/W-0 | R/W-0 | R/W-0 |
| F9BP3 | F9BP2 | F9BP1 | F9BP0 | F8BP3 | F8BP2 | F8BP1 | F8BP0 |
| bit 7 |       |       |       |       |       |       | bit 0 |

### Legend:

|                   |                  |                                    |
|-------------------|------------------|------------------------------------|
| R = Readable bit  | W = Writable bit | U = Unimplemented bit, read as '0' |
| -n = Value at POR | '1' = Bit is set | '0' = Bit is cleared               |
|                   |                  | x = Bit is unknown                 |

- bit 15-12     **F11BP<3:0>**: RX Buffer Mask for Filter 11 bits
  - 1111 = Filter hits received in RX FIFO buffer
  - 1110 = Filter hits received in RX Buffer 14
  - 
  - 
  - 
  - 0001 = Filter hits received in RX Buffer 1
  - 0000 = Filter hits received in RX Buffer 0
- bit 11-8     **F10BP<3:0>**: RX Buffer Mask for Filter 10 bits (same values as bits 15-12)
- bit 7-4      **F9BP<3:0>**: RX Buffer Mask for Filter 9 bits (same values as bits 15-12)
- bit 3-0      **F8BP<3:0>**: RX Buffer Mask for Filter 8 bits (same values as bits 15-12)

# dsPIC33EVXXGM00X/10X FAMILY

## REGISTER 22-15: CxBUFPNT4: CANx FILTERS 12-15 BUFFER POINTER REGISTER 4

|        |        |        |        |        |        |        |        |
|--------|--------|--------|--------|--------|--------|--------|--------|
| R/W-0  | R/W-0  | R/W-0  | R/W-0  | R/W-0  | R/W-0  | R/W-0  | R/W-0  |
| F15BP3 | F15BP2 | F15BP1 | F15BP0 | F14BP3 | F14BP2 | F14BP1 | F14BP0 |
| bit 15 |        |        |        |        |        |        | bit 8  |

|        |        |        |        |        |        |        |        |
|--------|--------|--------|--------|--------|--------|--------|--------|
| R/W-0  | R/W-0  | R/W-0  | R/W-0  | R/W-0  | R/W-0  | R/W-0  | R/W-0  |
| F13BP3 | F13BP2 | F13BP1 | F13BP0 | F12BP3 | F12BP2 | F12BP1 | F12BP0 |
| bit 7  |        |        |        |        |        |        | bit 0  |

### Legend:

|                   |                  |                                    |
|-------------------|------------------|------------------------------------|
| R = Readable bit  | W = Writable bit | U = Unimplemented bit, read as '0' |
| -n = Value at POR | '1' = Bit is set | '0' = Bit is cleared               |
|                   |                  | x = Bit is unknown                 |

- bit 15-12      **F15BP<3:0>**: RX Buffer Mask for Filter 15 bits  
 1111 = Filter hits received in RX FIFO buffer  
 1110 = Filter hits received in RX Buffer 14  
 •  
 •  
 •  
 0001 = Filter hits received in RX Buffer 1  
 0000 = Filter hits received in RX Buffer 0
- bit 11-8      **F14BP<3:0>**: RX Buffer Mask for Filter 14 bits (same values as bits 15-12)
- bit 7-4        **F13BP<3:0>**: RX Buffer Mask for Filter 13 bits (same values as bits 15-12)
- bit 3-0        **F12BP<3:0>**: RX Buffer Mask for Filter 12 bits (same values as bits 15-12)

# dsPIC33EVXXGM00X/10X FAMILY

## REGISTER 22-16: CxRXFnSID: CANx ACCEPTANCE FILTER n STANDARD IDENTIFIER REGISTER (n = 0-15)

|        |       |       |       |       |       |       |       |
|--------|-------|-------|-------|-------|-------|-------|-------|
| R/W-x  | R/W-x | R/W-x | R/W-x | R/W-x | R/W-x | R/W-x | R/W-x |
| SID10  | SID9  | SID8  | SID7  | SID6  | SID5  | SID4  | SID3  |
| bit 15 |       |       |       |       |       | bit 8 |       |

|       |       |       |     |       |     |       |       |
|-------|-------|-------|-----|-------|-----|-------|-------|
| R/W-x | R/W-x | R/W-x | U-0 | R/W-x | U-0 | R/W-x | R/W-x |
| SID2  | SID1  | SID0  | —   | EXIDE | —   | EID17 | EID16 |
| bit 7 |       |       |     |       |     | bit 0 |       |

### Legend:

R = Readable bit                      W = Writable bit                      U = Unimplemented bit, read as '0'  
 -n = Value at POR                      '1' = Bit is set                      '0' = Bit is cleared                      x = Bit is unknown

bit 15-5      **SID<10:0>**: Standard Identifier bits  
                     1 = Message address bit, SIDx, must be '1' to match filter  
                     0 = Message address bit, SIDx, must be '0' to match filter

bit 4      **Unimplemented**: Read as '0'

bit 3      **EXIDE**: Extended Identifier Enable bit  
                     If MIDE = 1:  
                     1 = Matches only messages with Extended Identifier addresses  
                     0 = Matches only messages with Standard Identifier addresses  
                     If MIDE = 0:  
                     Ignores EXIDE bit.

bit 2      **Unimplemented**: Read as '0'

bit 1-0      **EID<17:16>**: Extended Identifier bits  
                     1 = Message address bit, EIDx, must be '1' to match filter  
                     0 = Message address bit, EIDx, must be '0' to match filter

## REGISTER 22-17: CxRXFnEID: CANx ACCEPTANCE FILTER n EXTENDED IDENTIFIER REGISTER (n = 0-15)

|           |       |       |       |       |       |       |       |
|-----------|-------|-------|-------|-------|-------|-------|-------|
| R/W-x     | R/W-x | R/W-x | R/W-x | R/W-x | R/W-x | R/W-x | R/W-x |
| EID<15:8> |       |       |       |       |       |       |       |
| bit 15    |       |       |       |       |       | bit 8 |       |

|          |       |       |       |       |       |       |       |
|----------|-------|-------|-------|-------|-------|-------|-------|
| R/W-x    | R/W-x | R/W-x | R/W-x | R/W-x | R/W-x | R/W-x | R/W-x |
| EID<7:0> |       |       |       |       |       |       |       |
| bit 7    |       |       |       |       |       | bit 0 |       |

### Legend:

R = Readable bit                      W = Writable bit                      U = Unimplemented bit, read as '0'  
 -n = Value at POR                      '1' = Bit is set                      '0' = Bit is cleared                      x = Bit is unknown

bit 15-0      **EID<15:0>**: Extended Identifier bits  
                     1 = Message address bit, EIDx, must be '1' to match filter  
                     0 = Message address bit, EIDx, must be '0' to match filter

# dsPIC33EVXXGM00X/10X FAMILY

## REGISTER 22-18: CxFMSKSEL1: CANx FILTERS 7-0 MASK SELECTION REGISTER 1

|        |        |        |        |        |        |        |        |
|--------|--------|--------|--------|--------|--------|--------|--------|
| R/W-0  | R/W-0  | R/W-0  | R/W-0  | R/W-0  | R/W-0  | R/W-0  | R/W-0  |
| F7MSK1 | F7MSK0 | F6MSK1 | F6MSK0 | F5MSK1 | F5MSK0 | F4MSK1 | F4MSK0 |
| bit 15 |        |        |        |        |        |        | bit 8  |

|        |        |        |        |        |        |        |        |
|--------|--------|--------|--------|--------|--------|--------|--------|
| R/W-0  | R/W-0  | R/W-0  | R/W-0  | R/W-0  | R/W-0  | R/W-0  | R/W-0  |
| F3MSK1 | F3MSK0 | F2MSK1 | F2MSK0 | F1MSK1 | F1MSK0 | F0MSK1 | F0MSK0 |
| bit 7  |        |        |        |        |        |        | bit 0  |

### Legend:

R = Readable bit                      W = Writable bit                      U = Unimplemented bit, read as '0'  
 -n = Value at POR                      '1' = Bit is set                      '0' = Bit is cleared                      x = Bit is unknown

- bit 15-14      **F7MSK<1:0>**: Mask Source for Filter 7 bit  
                   11 = Reserved  
                   10 = Acceptance Mask 2 registers contain the mask  
                   01 = Acceptance Mask 1 registers contain the mask  
                   00 = Acceptance Mask 0 registers contain the mask
- bit 13-12      **F6MSK<1:0>**: Mask Source for Filter 6 bit (same values as bits 15-14)
- bit 11-10      **F5MSK<1:0>**: Mask Source for Filter 5 bit (same values as bits 15-14)
- bit 9-8        **F4MSK<1:0>**: Mask Source for Filter 4 bit (same values as bits 15-14)
- bit 7-6        **F3MSK<1:0>**: Mask Source for Filter 3 bit (same values as bits 15-14)
- bit 5-4        **F2MSK<1:0>**: Mask Source for Filter 2 bit (same values as bits 15-14)
- bit 3-2        **F1MSK<1:0>**: Mask Source for Filter 1 bit (same values as bits 15-14)
- bit 1-0        **F0MSK<1:0>**: Mask Source for Filter 0 bit (same values as bits 15-14)

# dsPIC33EVXXGM00X/10X FAMILY

## REGISTER 22-19: CxFMSKSEL2: CANx FILTERS 15-8 MASK SELECTION REGISTER 2

|         |         |         |         |         |         |         |         |
|---------|---------|---------|---------|---------|---------|---------|---------|
| R/W-0   | R/W-0   | R/W-0   | R/W-0   | R/W-0   | R/W-0   | R/W-0   | R/W-0   |
| F15MSK1 | F15MSK0 | F14MSK1 | F14MSK0 | F13MSK1 | F13MSK0 | F12MSK1 | F12MSK0 |
| bit 15  |         |         |         |         |         | bit 8   |         |

|         |         |         |         |        |        |        |        |
|---------|---------|---------|---------|--------|--------|--------|--------|
| R/W-0   | R/W-0   | R/W-0   | R/W-0   | R/W-0  | R/W-0  | R/W-0  | R/W-0  |
| F11MSK1 | F11MSK0 | F10MSK1 | F10MSK0 | F9MSK1 | F9MSK0 | F8MSK1 | F8MSK0 |
| bit 7   |         |         |         |        |        | bit 0  |        |

### Legend:

|                   |                  |  |
|-------------------|------------------|--|
| R = Readable bit  | W = Writable bit | U = Unimplemented bit, read as '0'           |
| -n = Value at POR | '1' = Bit is set | '0' = Bit is cleared      x = Bit is unknown |

- bit 15-14      **F15MSK<1:0>**: Mask Source for Filter 15 bit  
                   11 = Reserved  
                   10 = Acceptance Mask 2 registers contain the mask  
                   01 = Acceptance Mask 1 registers contain the mask  
                   00 = Acceptance Mask 0 registers contain the mask
- bit 13-12      **F14MSK<1:0>**: Mask Source for Filter 14 bit (same values as bits 15-14)
- bit 11-10      **F13MSK<1:0>**: Mask Source for Filter 13 bit (same values as bits 15-14)
- bit 9-8        **F12MSK<1:0>**: Mask Source for Filter 12 bit (same values as bits 15-14)
- bit 7-6        **F11MSK<1:0>**: Mask Source for Filter 11 bit (same values as bits 15-14)
- bit 5-4        **F10MSK<1:0>**: Mask Source for Filter 10 bit (same values as bits 15-14)
- bit 3-2        **F9MSK<1:0>**: Mask Source for Filter 9 bit (same values as bits 15-14)
- bit 1-0        **F8MSK<1:0>**: Mask Source for Filter 8 bit (same values as bits 15-14)

# dsPIC33EVXXGM00X/10X FAMILY

## REGISTER 22-20: CxRXMnSID: CANx ACCEPTANCE FILTER MASK n STANDARD IDENTIFIER REGISTER (n = 0-2)

|        |       |       |       |       |       |       |       |
|--------|-------|-------|-------|-------|-------|-------|-------|
| R/W-x  | R/W-x | R/W-x | R/W-x | R/W-x | R/W-x | R/W-x | R/W-x |
| SID10  | SID9  | SID8  | SID7  | SID6  | SID5  | SID4  | SID3  |
| bit 15 |       |       |       |       |       |       | bit 8 |

|       |       |       |     |       |     |       |       |
|-------|-------|-------|-----|-------|-----|-------|-------|
| R/W-x | R/W-x | R/W-x | U-0 | R/W-x | U-0 | R/W-x | R/W-x |
| SID2  | SID1  | SID0  | —   | MIDE  | —   | EID17 | EID16 |
| bit 7 |       |       |     |       |     |       | bit 0 |

### Legend:

R = Readable bit                      W = Writable bit                      U = Unimplemented bit, read as '0'  
-n = Value at POR                      '1' = Bit is set                      '0' = Bit is cleared                      x = Bit is unknown

- bit 15-5            **SID<10:0>**: Standard Identifier bits  
1 = Includes bit, SIDx, in filter comparison  
0 = Bit, SIDx, is a don't care in filter comparison
- bit 4                **Unimplemented**: Read as '0'
- bit 3                **MIDE**: Identifier Receive Mode bit  
1 = Matches only message types (standard or extended address) that correspond to the EXIDE bit in the filter  
0 = Matches either standard or extended address message if filters match, i.e., if:  
(Filter SID) = (Message SID) or if (Filter SID/EID) = (Message SID/EID)
- bit 2                **Unimplemented**: Read as '0'
- bit 1-0            **EID<17:16>**: Extended Identifier bits  
1 = Includes bit, EIDx, in filter comparison  
0 = Bit, EIDx, is a don't care in filter comparison

## REGISTER 22-21: CxRXMnEID: CANx ACCEPTANCE FILTER MASK n EXTENDED IDENTIFIER REGISTER (n = 0-2)

|           |       |       |       |       |       |       |       |
|-----------|-------|-------|-------|-------|-------|-------|-------|
| R/W-x     | R/W-x | R/W-x | R/W-x | R/W-x | R/W-x | R/W-x | R/W-x |
| EID<15:8> |       |       |       |       |       |       |       |
| bit 15    |       |       |       |       |       |       | bit 8 |

|          |       |       |       |       |       |       |       |
|----------|-------|-------|-------|-------|-------|-------|-------|
| R/W-x    | R/W-x | R/W-x | R/W-x | R/W-x | R/W-x | R/W-x | R/W-x |
| EID<7:0> |       |       |       |       |       |       |       |
| bit 7    |       |       |       |       |       |       | bit 0 |

### Legend:

R = Readable bit                      W = Writable bit                      U = Unimplemented bit, read as '0'  
-n = Value at POR                      '1' = Bit is set                      '0' = Bit is cleared                      x = Bit is unknown

- bit 15-0            **EID<15:0>**: Extended Identifier bits  
1 = Includes bit, EIDx, in filter comparison  
0 = Bit, EIDx, is a don't care in filter comparison

# dsPIC33EVXXGM00X/10X FAMILY

## REGISTER 22-22: CxRXFUL1: CANx RECEIVE BUFFER FULL REGISTER 1

|             |       |       |       |       |       |       |       |
|-------------|-------|-------|-------|-------|-------|-------|-------|
| R/C-0       | R/C-0 | R/C-0 | R/C-0 | R/C-0 | R/C-0 | R/C-0 | R/C-0 |
| RXFUL<15:8> |       |       |       |       |       |       |       |
| bit 15      |       |       |       | bit 8 |       |       |       |

|            |       |       |       |       |       |       |       |
|------------|-------|-------|-------|-------|-------|-------|-------|
| R/C-0      | R/C-0 | R/C-0 | R/C-0 | R/C-0 | R/C-0 | R/C-0 | R/C-0 |
| RXFUL<7:0> |       |       |       |       |       |       |       |
| bit 7      |       |       |       | bit 0 |       |       |       |

|                   |  |                                    |                    |  |  |  |  |
|-------------------|--|------------------------------------|--------------------|--|--|--|--|
| <b>Legend:</b>    | C = Writable bit, but only '0' can be written to clear the bit |                                    |                    |  |  |  |  |
| R = Readable bit  | W = Writable bit   | U = Unimplemented bit, read as '0' |                    |  |  |  |  |
| -n = Value at POR | '1' = Bit is set   | '0' = Bit is cleared               | x = Bit is unknown |  |  |  |  |

bit 15-0     **RXFUL<15:0>**: Receive Buffer n Full bits  
 1 = Buffer is full (set by module)  
 0 = Buffer is empty (cleared by user software)

## REGISTER 22-23: CxRXFUL2: CANx RECEIVE BUFFER FULL REGISTER 2

|              |       |       |       |       |       |       |       |
|--------------|-------|-------|-------|-------|-------|-------|-------|
| R/C-0        | R/C-0 | R/C-0 | R/C-0 | R/C-0 | R/C-0 | R/C-0 | R/C-0 |
| RXFUL<31:24> |       |       |       |       |       |       |       |
| bit 15       |       |       |       | bit 8 |       |       |       |

|              |       |       |       |       |       |       |       |
|--------------|-------|-------|-------|-------|-------|-------|-------|
| R/C-0        | R/C-0 | R/C-0 | R/C-0 | R/C-0 | R/C-0 | R/C-0 | R/C-0 |
| RXFUL<23:16> |       |       |       |       |       |       |       |
| bit 7        |       |       |       | bit 0 |       |       |       |

|                   |  |                                    |                    |  |  |  |  |
|-------------------|--|------------------------------------|--------------------|--|--|--|--|
| <b>Legend:</b>    | C = Writable bit, but only '0' can be written to clear the bit |                                    |                    |  |  |  |  |
| R = Readable bit  | W = Writable bit   | U = Unimplemented bit, read as '0' |                    |  |  |  |  |
| -n = Value at POR | '1' = Bit is set   | '0' = Bit is cleared               | x = Bit is unknown |  |  |  |  |

bit 15-0     **RXFUL<31:16>**: Receive Buffer n Full bits  
 1 = Buffer is full (set by module)  
 0 = Buffer is empty (cleared by user software)



# dsPIC33EVXXGM00X/10X FAMILY

## REGISTER 22-24: CxRXOVF1: CANx RECEIVE BUFFER OVERFLOW REGISTER 1

|             |       |       |       |       |       |       |       |
|-------------|-------|-------|-------|-------|-------|-------|-------|
| R/C-0       | R/C-0 | R/C-0 | R/C-0 | R/C-0 | R/C-0 | R/C-0 | R/C-0 |
| RXOVF<15:8> |       |       |       |       |       |       |       |
| bit 15      |       |       |       | bit 8 |       |       |       |

|            |       |       |       |       |       |       |       |
|------------|-------|-------|-------|-------|-------|-------|-------|
| R/C-0      | R/C-0 | R/C-0 | R/C-0 | R/C-0 | R/C-0 | R/C-0 | R/C-0 |
| RXOVF<7:0> |       |       |       |       |       |       |       |
| bit 7      |       |       |       | bit 0 |       |       |       |

|                   |  |                                    |                    |
|-------------------|--|------------------------------------|--------------------|
| <b>Legend:</b>    | C = Writable bit, but only '0' can be written to clear the bit |                                    |                    |
| R = Readable bit  | W = Writable bit   | U = Unimplemented bit, read as '0' |                    |
| -n = Value at POR | '1' = Bit is set   | '0' = Bit is cleared               | x = Bit is unknown |

bit 15-0      **RXOVF<15:0>**: Receive Buffer n Overflow bits  
1 = Module attempted to write to a full buffer (set by module)  
0 = No overflow condition (cleared by user software)

## REGISTER 22-25: CxRXOVF2: CANx RECEIVE BUFFER OVERFLOW REGISTER 2

|              |       |       |       |       |       |       |       |
|--------------|-------|-------|-------|-------|-------|-------|-------|
| R/C-0        | R/C-0 | R/C-0 | R/C-0 | R/C-0 | R/C-0 | R/C-0 | R/C-0 |
| RXOVF<31:24> |       |       |       |       |       |       |       |
| bit 15       |       |       |       | bit 8 |       |       |       |

|              |       |       |       |       |       |       |       |
|--------------|-------|-------|-------|-------|-------|-------|-------|
| R/C-0        | R/C-0 | R/C-0 | R/C-0 | R/C-0 | R/C-0 | R/C-0 | R/C-0 |
| RXOVF<23:16> |       |       |       |       |       |       |       |
| bit 7        |       |       |       | bit 0 |       |       |       |

|                   |  |                                    |                    |
|-------------------|--|------------------------------------|--------------------|
| <b>Legend:</b>    | C = Writable bit, but only '0' can be written to clear the bit |                                    |                    |
| R = Readable bit  | W = Writable bit   | U = Unimplemented bit, read as '0' |                    |
| -n = Value at POR | '1' = Bit is set   | '0' = Bit is cleared               | x = Bit is unknown |

bit 15-0      **RXOVF<31:16>**: Receive Buffer n Overflow bits  
1 = Module attempted to write to a full buffer (set by module)  
0 = No overflow condition (cleared by user software)

# dsPIC33EVXXGM00X/10X FAMILY

## REGISTER 22-26: CxTRmnCON: CANx TX/RX BUFFER mn CONTROL REGISTER (m = 0,2,4,6; n = 1,3,5,7)

|        |        |         |        |        |        |         |         |
|--------|--------|---------|--------|--------|--------|---------|---------|
| R/W-0  | R-0    | R-0     | R-0    | R/W-0  | R/W-0  | R/W-0   | R/W-0   |
| TXENn  | TXABTn | TXLARBn | TXERRn | TXREQn | RTRENn | TXnPRI1 | TXnPRI0 |
| bit 15 |        |         |        |        |        | bit 8   |         |

|       |                       |                        |                       |        |        |         |         |
|-------|-----------------------|------------------------|-----------------------|--------|--------|---------|---------|
| R/W-0 | R-0                   | R-0                    | R-0                   | R/W-0  | R/W-0  | R/W-0   | R/W-0   |
| TXENm | TXABTm <sup>(1)</sup> | TXLARBm <sup>(1)</sup> | TXERRm <sup>(1)</sup> | TXREQm | RTRENm | TXmPRI1 | TXmPRI0 |
| bit 7 |                       |                        |                       |        |        | bit 0   |         |

### Legend:

R = Readable bit                      W = Writable bit                      U = Unimplemented bit, read as '0'  
-n = Value at POR                      '1' = Bit is set                      '0' = Bit is cleared                      x = Bit is unknown

- bit 15-8            See Definition for bits 7-0, controls Buffer n.
- bit 7              **TXENm**: TX/RX Buffer Selection bit  
                    1 = Buffer, TRBm, is a transmit buffer  
                    0 = Buffer, TRBm, is a receive buffer
- bit 6              **TXABTm**: Message Aborted bit<sup>(1)</sup>  
                    1 = Message was aborted  
                    0 = Message completed transmission successfully
- bit 5              **TXLARBm**: Message Lost Arbitration bit<sup>(1)</sup>  
                    1 = Message lost arbitration while being sent  
                    0 = Message did not lose arbitration while being sent
- bit 4              **TXERRm**: Error Detected During Transmission bit<sup>(1)</sup>  
                    1 = A bus error occurred while the message was being sent  
                    0 = A bus error did not occur while the message was being sent
- bit 3              **TXREQm**: Message Send Request bit  
                    1 = Requests that a message be sent; the bit automatically clears when the message is successfully sent  
                    0 = Clearing the bit to '0' while set requests a message abort
- bit 2              **RTRENm**: Auto-Remote Transmit Enable bit  
                    1 = When a remote transmit is received, TXREQ will be set  
                    0 = When a remote transmit is received, TXREQ will be unaffected
- bit 1-0            **TXmPRI<1:0>**: Message Transmission Priority bits  
                    11 = Highest message priority  
                    10 = High intermediate message priority  
                    01 = Low intermediate message priority  
                    00 = Lowest message priority

**Note 1:** This bit is cleared when TXREQm is set.

**Note:** The buffers, SID, EID, DLC, Data Field and Receive Status registers, are located in DMA RAM.

# dsPIC33EVXXGM00X/10X FAMILY

## 22.4 CAN Message Buffers

CAN Message Buffers are part of RAM memory. They are not CAN Special Function Registers. The user application must directly write into the RAM area that is configured for CAN Message Buffers. The location and size of the buffer area is defined by the user application.

### BUFFER 22-1: CANx MESSAGE BUFFER WORD 0

|        |     |     |       |       |       |       |       |
|--------|-----|-----|-------|-------|-------|-------|-------|
| U-0    | U-0 | U-0 | R/W-x | R/W-x | R/W-x | R/W-x | R/W-x |
| —      | —   | —   | SID10 | SID9  | SID8  | SID7  | SID6  |
| bit 15 |     |     |       |       |       |       | bit 8 |

|       |       |       |       |       |       |       |       |
|-------|-------|-------|-------|-------|-------|-------|-------|
| R/W-x | R/W-x | R/W-x | R/W-x | R/W-x | R/W-x | R/W-x | R/W-x |
| SID5  | SID4  | SID3  | SID2  | SID1  | SID0  | SRR   | IDE   |
| bit 7 |       |       |       |       |       |       | bit 0 |

#### Legend:

R = Readable bit                      W = Writable bit                      U = Unimplemented bit, read as '0'  
 -n = Value at POR                      '1' = Bit is set                      '0' = Bit is cleared                      x = Bit is unknown

- bit 15-13      **Unimplemented:** Read as '0'
- bit 12-2      **SID<10:0>:** Standard Identifier bits
- bit 1          **SRR:** Substitute Remote Request bit  
                   When IDE = 0:  
                   1 = Message will request remote transmission  
                   0 = Normal message  
                   When IDE = 1:  
                   The SRR bit must be set to '1'.
- bit 0          **IDE:** Extended Identifier bit  
                   1 = Message will transmit an Extended Identifier  
                   0 = Message will transmit a Standard Identifier

### BUFFER 22-2: CANx MESSAGE BUFFER WORD 1

|        |     |     |     |            |       |       |       |
|--------|-----|-----|-----|------------|-------|-------|-------|
| U-0    | U-0 | U-0 | U-0 | R/W-x      | R/W-x | R/W-x | R/W-x |
| —      | —   | —   | —   | EID<17:14> |       |       |       |
| bit 15 |     |     |     |            |       |       | bit 8 |

|           |       |       |       |       |       |       |       |
|-----------|-------|-------|-------|-------|-------|-------|-------|
| R/W-x     | R/W-x | R/W-x | R/W-x | R/W-x | R/W-x | R/W-x | R/W-x |
| EID<13:6> |       |       |       |       |       |       |       |
| bit 7     |       |       |       |       |       |       | bit 0 |

#### Legend:

R = Readable bit                      W = Writable bit                      U = Unimplemented bit, read as '0'  
 -n = Value at POR                      '1' = Bit is set                      '0' = Bit is cleared                      x = Bit is unknown

- bit 15-12      **Unimplemented:** Read as '0'
- bit 11-0      **EID<17:6>:** Extended Identifier bits

# dsPIC33EVXXGM00X/10X FAMILY

## BUFFER 22-3: CANx MESSAGE BUFFER WORD 2

|        |       |       |       |       |       |       |       |
|--------|-------|-------|-------|-------|-------|-------|-------|
| R/W-x  | R/W-x | R/W-x | R/W-x | R/W-x | R/W-x | R/W-x | R/W-x |
| EID5   | EID4  | EID3  | EID2  | EID1  | EID0  | RTR   | RB1   |
| bit 15 |       |       |       |       |       |       | bit 8 |

|       |     |     |       |       |       |       |       |
|-------|-----|-----|-------|-------|-------|-------|-------|
| U-x   | U-x | U-x | R/W-x | R/W-x | R/W-x | R/W-x | R/W-x |
| —     | —   | —   | RB0   | DLC3  | DLC2  | DLC1  | DLC0  |
| bit 7 |     |     |       |       |       |       | bit 0 |

### Legend:

R = Readable bit                      W = Writable bit                      U = Unimplemented bit, read as '0'  
 -n = Value at POR                      '1' = Bit is set                      '0' = Bit is cleared                      x = Bit is unknown

- bit 15-10      **EID<5:0>**: Extended Identifier bits
- bit 9          **RTR**: Remote Transmission Request bit  
                 When IDE = 1:  
                 1 = Message will request remote transmission  
                 0 = Normal message  
                 When IDE = 0:  
                 The RTR bit is ignored.
- bit 8          **RB1**: Reserved Bit 1  
                 User must set this bit to '0' per CAN protocol.
- bit 7-5       **Unimplemented**: Read as '0'
- bit 4          **RB0**: Reserved Bit 0  
                 User must set this bit to '0' per CAN protocol.
- bit 3-0       **DLC<3:0>**: Data Length Code bits

## BUFFER 22-4: CANx MESSAGE BUFFER WORD 3

|              |       |       |       |       |       |       |       |
|--------------|-------|-------|-------|-------|-------|-------|-------|
| R/W-x        | R/W-x | R/W-x | R/W-x | R/W-x | R/W-x | R/W-x | R/W-x |
| Byte 1<15:8> |       |       |       |       |       |       |       |
| bit 15       |       |       |       |       |       |       | bit 8 |

|             |       |       |       |       |       |       |       |
|-------------|-------|-------|-------|-------|-------|-------|-------|
| R/W-x       | R/W-x | R/W-x | R/W-x | R/W-x | R/W-x | R/W-x | R/W-x |
| Byte 0<7:0> |       |       |       |       |       |       |       |
| bit 7       |       |       |       |       |       |       | bit 0 |

### Legend:

R = Readable bit                      W = Writable bit                      U = Unimplemented bit, read as '0'  
 -n = Value at POR                      '1' = Bit is set                      '0' = Bit is cleared                      x = Bit is unknown

- bit 15-8      **Byte 1<15:8>**: CANx Message Byte 1 bits
- bit 7-0       **Byte 0<7:0>**: CANx Message Byte 0 bits

# dsPIC33EVXXGM00X/10X FAMILY

## BUFFER 22-5: CANx MESSAGE BUFFER WORD 4

|              |       |       |       |       |       |       |       |
|--------------|-------|-------|-------|-------|-------|-------|-------|
| R/W-x        | R/W-x | R/W-x | R/W-x | R/W-x | R/W-x | R/W-x | R/W-x |
| Byte 3<15:8> |       |       |       |       |       |       |       |
| bit 15       |       |       |       | bit 8 |       |       |       |

|             |       |       |       |       |       |       |       |
|-------------|-------|-------|-------|-------|-------|-------|-------|
| R/W-x       | R/W-x | R/W-x | R/W-x | R/W-x | R/W-x | R/W-x | R/W-x |
| Byte 2<7:0> |       |       |       |       |       |       |       |
| bit 7       |       |       |       | bit 0 |       |       |       |

|                   |  |                  |  |                                    |  |                    |  |
|-------------------|--|------------------|--|------------------------------------|--|--------------------|--|
| <b>Legend:</b>    |  |                  |  |                                    |  |                    |  |
| R = Readable bit  |  | W = Writable bit |  | U = Unimplemented bit, read as '0' |  |                    |  |
| -n = Value at POR |  | '1' = Bit is set |  | '0' = Bit is cleared               |  | x = Bit is unknown |  |

bit 15-8      **Byte 3<15:8>**: CANx Message Byte 3 bits

bit 7-0      **Byte 2<7:0>**: CANx Message Byte 2 bits

## BUFFER 22-6: CANx MESSAGE BUFFER WORD 5

|              |       |       |       |       |       |       |       |
|--------------|-------|-------|-------|-------|-------|-------|-------|
| R/W-x        | R/W-x | R/W-x | R/W-x | R/W-x | R/W-x | R/W-x | R/W-x |
| Byte 5<15:8> |       |       |       |       |       |       |       |
| bit 15       |       |       |       | bit 8 |       |       |       |

|             |       |       |       |       |       |       |       |
|-------------|-------|-------|-------|-------|-------|-------|-------|
| R/W-x       | R/W-x | R/W-x | R/W-x | R/W-x | R/W-x | R/W-x | R/W-x |
| Byte 4<7:0> |       |       |       |       |       |       |       |
| bit 7       |       |       |       | bit 0 |       |       |       |

|                   |  |                  |  |                                    |  |                    |  |
|-------------------|--|------------------|--|------------------------------------|--|--------------------|--|
| <b>Legend:</b>    |  |                  |  |                                    |  |                    |  |
| R = Readable bit  |  | W = Writable bit |  | U = Unimplemented bit, read as '0' |  |                    |  |
| -n = Value at POR |  | '1' = Bit is set |  | '0' = Bit is cleared               |  | x = Bit is unknown |  |

bit 15-8      **Byte 5<15:8>**: CANx Message Byte 5 bits

bit 7-0      **Byte 4<7:0>**: CANx Message Byte 4 bits

# dsPIC33EVXXGM00X/10X FAMILY

## BUFFER 22-7: CANx MESSAGE BUFFER WORD 6

|              |       |       |       |       |       |       |       |       |
|--------------|-------|-------|-------|-------|-------|-------|-------|-------|
| R/W-x        | R/W-x | R/W-x | R/W-x | R/W-x | R/W-x | R/W-x | R/W-x |       |
| Byte 7<15:8> |       |       |       |       |       |       |       |       |
| bit 15       |       |       |       |       |       |       |       | bit 8 |

|             |       |       |       |       |       |       |       |       |
|-------------|-------|-------|-------|-------|-------|-------|-------|-------|
| R/W-x       | R/W-x | R/W-x | R/W-x | R/W-x | R/W-x | R/W-x | R/W-x |       |
| Byte 6<7:0> |       |       |       |       |       |       |       |       |
| bit 7       |       |       |       |       |       |       |       | bit 0 |

**Legend:**

R = Readable bit                      W = Writable bit                      U = Unimplemented bit, read as '0'  
 -n = Value at POR                      '1' = Bit is set                      '0' = Bit is cleared                      x = Bit is unknown

bit 15-8                      **Byte 7<15:8>**: CANx Message Byte 7 bits

bit 7-0                      **Byte 6<7:0>**: CANx Message Byte 6 bits

## BUFFER 22-8: CANx MESSAGE BUFFER WORD 7

|        |     |     |                            |       |       |       |       |       |
|--------|-----|-----|----------------------------|-------|-------|-------|-------|-------|
| U-0    | U-0 | U-0 | R/W-x                      | R/W-x | R/W-x | R/W-x | R/W-x |       |
| —      | —   | —   | FILHIT<4:0> <sup>(1)</sup> |       |       |       |       |       |
| bit 15 |     |     |                            |       |       |       |       | bit 8 |

|       |     |     |     |     |     |     |     |       |
|-------|-----|-----|-----|-----|-----|-----|-----|-------|
| U-0   | U-0 | U-0 | U-0 | U-0 | U-0 | U-0 | U-0 |       |
| —     | —   | —   | —   | —   | —   | —   | —   |       |
| bit 7 |     |     |     |     |     |     |     | bit 0 |

**Legend:**

R = Readable bit                      W = Writable bit                      U = Unimplemented bit, read as '0'  
 -n = Value at POR                      '1' = Bit is set                      '0' = Bit is cleared                      x = Bit is unknown

bit 15-13                      **Unimplemented:** Read as '0'

bit 12-8                      **FILHIT<4:0>**: Filter Hit Code bits<sup>(1)</sup>  
 Encodes number of filter that resulted in writing this buffer.

bit 7-0                      **Unimplemented:** Read as '0'

**Note 1:** Only written by module for receive buffers, unused for transmit buffers.

## 23.0 CHARGE TIME MEASUREMENT UNIT (CTMU)

**Note 1:** This data sheet summarizes the features of the dsPIC33EVXXGM00X/10X family of devices. It is not intended to be a comprehensive reference source. To complement the information in this data sheet, refer to “**Charge Time Measurement Unit (CTMU)**” (DS70661) in the “*dsPIC33/PIC24 Family Reference Manual*”, which is available on the Microchip web site ([www.microchip.com](http://www.microchip.com)).

**2:** Some registers and associated bits described in this section may not be available on all devices. Refer to [Section 4.0 “Memory Organization”](#) in this data sheet for device-specific register and bit information.

Together with other on-chip analog modules, the CTMU can be used to precisely measure time, measure capacitance, measure relative changes in capacitance or generate output pulses that are independent of the system clock.

The CTMU module is ideal for interfacing with capacitive-based sensors. The CTMU is controlled through three registers: CTMUCON1, CTMUCON2 and CTMUICON. CTMUCON1 and CTMUCON2 enable the module and control edge source selection, edge source polarity selection and edge sequencing. The CTMUICON register controls the selection and trim of the current source.

The Charge Time Measurement Unit (CTMU) is a flexible analog module that provides accurate differential time measurement between pulse sources, as well as asynchronous pulse generation. Its key features include:

- Nine Edge Input Trigger Sources
- Polarity Control for Each Edge Source
- Control of Edge Sequence
- Control of Response to Edges
- Time Measurement Resolution Down to 200 ps
- Accurate Current Source Suitable for Capacitive Measurement
- On-Chip Temperature Measurement using a Built-in Diode
- Pulse Generation Generates a Pulse using the C1INB Comparator Input and Outputs the Pulse onto the CTPLS Remappable Output

# dsPIC33EVXXXGM00X/10X FAMILY

FIGURE 23-1: CTMU BLOCK DIAGRAM





## 23.1 CTMU Control Registers

**REGISTER 23-1: CTMUCON1: CTMU CONTROL REGISTER 1**

|        |     |          |                     |       |          |                        |        |
|--------|-----|----------|---------------------|-------|----------|------------------------|--------|
| R/W-0  | U-0 | R/W-0    | R/W-0               | R/W-0 | R/W-0    | R/W-0                  | R/W-0  |
| CTMUEN | —   | CTMUSIDL | TGEN <sup>(2)</sup> | EDGEN | EDGSEQEN | IDISSEN <sup>(1)</sup> | CTTRIG |
| bit 15 |     |          |                     |       |          |                        | bit 8  |
| U-0    | U-0 | U-0      | U-0                 | U-0   | U-0      | U-0                    | U-0    |
| —      | —   | —        | —                   | —     | —        | —                      | —      |
| bit 7  |     |          |                     |       |          |                        | bit 0  |

**Legend:**

|                   |                  |                                    |
|-------------------|------------------|------------------------------------|
| R = Readable bit  | W = Writable bit | U = Unimplemented bit, read as '0' |
| -n = Value at POR | '1' = Bit is set | '0' = Bit is cleared               |
|                   |                  | x = Bit is unknown                 |

- bit 15      **CTMUEN:** CTMU Enable bit  
1 = Module is enabled  
0 = Module is disabled
- bit 14      **Unimplemented:** Read as '0'
- bit 13      **CTMUSIDL:** CTMU Stop in Idle Mode bit  
1 = Discontinues module operation when the device enters Idle mode  
0 = Continues module operation in Idle mode
- bit 12      **TGEN:** Time Generation Enable bit<sup>(2)</sup>  
1 = Edge delay generation is enabled  
0 = Edge delay generation is disabled
- bit 11      **EDGEN:** Edge Enable bit  
1 = Hardware modules are used to trigger edges (TMRx, CTEDx, etc.)  
0 = Software is used to trigger edges (manual set of EDGxSTAT)
- bit 10      **EDGSEQEN:** Edge Sequence Enable bit  
1 = Edge 1 event must occur before Edge 2 event can occur  
0 = No edge sequence is needed
- bit 9        **IDISSEN:** Analog Current Source Control bit<sup>(1)</sup>  
1 = Analog current source output is grounded  
0 = Analog current source output is not grounded
- bit 8        **CTTRIG:** ADC Trigger Control bit  
1 = CTMU triggers the ADC start of conversion  
0 = CTMU does not trigger the ADC start of conversion
- bit 7-0     **Unimplemented:** Read as '0'

**Note 1:** The ADC module Sample-and-Hold (S&H) capacitor is not automatically discharged between sample/conversion cycles. Any software using the ADC as part of a capacitance measurement must discharge the ADC capacitor before conducting the measurement. The IDISSEN bit, when set to '1', performs this function. The ADC must be sampling while the IDISSEN bit is active to connect the discharge sink to the capacitor array.

**2:** If the TGEN bit is set to '1', then the CMP1 module should be selected as the Edge 2 source in the EDG2SELx bits field; otherwise, the module will not function.

# dsPIC33EVXXGM00X/10X FAMILY

## REGISTER 23-2: CTMUCON2: CTMU CONTROL REGISTER 2

|         |         |          |          |          |          |          |          |
|---------|---------|----------|----------|----------|----------|----------|----------|
| R/W-0   | R/W-0   | R/W-0    | R/W-0    | R/W-0    | R/W-0    | R/W-0    | R/W-0    |
| EDG1MOD | EDG1POL | EDG1SEL3 | EDG1SEL2 | EDG1SEL1 | EDG1SEL0 | EDG2STAT | EDG1STAT |
| bit 15  |         |          |          |          |          | bit 8    |          |

|         |         |          |          |          |          |       |     |
|---------|---------|----------|----------|----------|----------|-------|-----|
| R/W-0   | R/W-0   | R/W-0    | R/W-0    | R/W-0    | R/W-0    | U-0   | U-0 |
| EDG2MOD | EDG2POL | EDG2SEL3 | EDG2SEL2 | EDG2SEL1 | EDG2SEL0 | —     | —   |
| bit 7   |         |          |          |          |          | bit 0 |     |

### Legend:

|                   |                  |                                    |
|-------------------|------------------|------------------------------------|
| R = Readable bit  | W = Writable bit | U = Unimplemented bit, read as '0' |
| -n = Value at POR | '1' = Bit is set | '0' = Bit is cleared               |
|                   |                  | x = Bit is unknown                 |

bit 15      **EDG1MOD:** Edge 1 Edge Sampling Mode Selection bit

1 = Edge 1 is edge-sensitive  
0 = Edge 1 is level-sensitive

bit 14      **EDG1POL:** Edge 1 Polarity Select bit

1 = Edge 1 is programmed for a positive edge response  
0 = Edge 1 is programmed for a negative edge response

bit 13-10    **EDG1SEL<3:0>:** Edge 1 Source Select bits

1111 = Fosc  
1110 = OSCI pin  
1101 = FRC Oscillator  
1100 = BFRC Oscillator  
1011 = Internal LPRC Oscillator  
1010 = Reserved  
1001 = Reserved  
1000 = Reserved  
0111 = Reserved  
0110 = Reserved  
0101 = Reserved  
0100 = Reserved  
0011 = CTED1 pin  
0010 = CTED2 pin  
0001 = OC1 module  
0000 = TMR1 module

bit 9        **EDG2STAT:** Edge 2 Status bit

Indicates the status of Edge 2 and can be written to control the edge source.  
1 = Edge 2 has occurred  
0 = Edge 2 has not occurred

bit 8        **EDG1STAT:** Edge 1 Status bit

Indicates the status of Edge 1 and can be written to control the edge source.  
1 = Edge 1 has occurred  
0 = Edge 1 has not occurred

bit 7        **EDG2MOD:** Edge 2 Edge Sampling Mode Selection bit

1 = Edge 2 is edge-sensitive  
0 = Edge 2 is level-sensitive

bit 6        **EDG2POL:** Edge 2 Polarity Select bit

1 = Edge 2 is programmed for a positive edge response  
0 = Edge 2 is programmed for a negative edge response

## REGISTER 23-2: CTMUCON2: CTMU CONTROL REGISTER 2 (CONTINUED)

bit 5-2      **EDG2SEL<3:0>**: Edge 2 Source Select bits

1111 = Fosc  
1110 = OSCI pin  
1101 = FRC Oscillator  
1100 = BFRC Oscillator  
1011 = Internal LPRC Oscillator  
1010 = Reserved  
1001 = Reserved  
1000 = Reserved  
0111 = Reserved  
0110 = Reserved  
0101 = Reserved  
0100 = CMP1 module  
0011 = CTED2 pin  
0010 = CTED1 pin  
0001 = OCMP1 module  
0000 = IC1 module

bit 1-0      **Unimplemented**: Read as '0'

# dsPIC33EVXXGM00X/10X FAMILY

## REGISTER 23-3: CTMUICON: CTMU CURRENT CONTROL REGISTER<sup>(3)</sup>

|        |        |        |        |        |        |                      |                      |
|--------|--------|--------|--------|--------|--------|----------------------|----------------------|
| R/W-0  | R/W-0  | R/W-0  | R/W-0  | R/W-0  | R/W-0  | R/W-0                | R/W-0                |
| ITRIM5 | ITRIM4 | ITRIM3 | ITRIM2 | ITRIM1 | ITRIM0 | IRNG1 <sup>(2)</sup> | IRNG0 <sup>(2)</sup> |
| bit 15 |        |        |        |        |        | bit 8                |                      |

|       |     |     |     |     |     |       |     |
|-------|-----|-----|-----|-----|-----|-------|-----|
| U-0   | U-0 | U-0 | U-0 | U-0 | U-0 | U-0   | U-0 |
| —     | —   | —   | —   | —   | —   | —     | —   |
| bit 7 |     |     |     |     |     | bit 0 |     |

### Legend:

R = Readable bit                      W = Writable bit                      U = Unimplemented bit, read as '0'  
 -n = Value at POR                      '1' = Bit is set                      '0' = Bit is cleared                      x = Bit is unknown

bit 15-10      **ITRIM<5:0>**: Current Source Trim bits  
 011111 = Maximum positive change from nominal current + 62%  
 011110 = Maximum positive change from nominal current + 60%  
 •  
 •  
 •  
 000010 = Minimum positive change from nominal current + 4%  
 000001 = Minimum positive change from nominal current + 2%  
 000000 = Nominal current output specified by IRNG<1:0>  
 111111 = Minimum negative change from nominal current – 2%  
 111110 = Minimum negative change from nominal current – 4%  
 •  
 •  
 •  
 100010 = Maximum negative change from nominal current – 60%  
 100001 = Maximum negative change from nominal current – 62%

bit 9-8      **IRNG<1:0>**: Current Source Range Select bits<sup>(2)</sup>  
 11 = 100 × Base Current  
 10 = 10 × Base Current  
 01 = Base Current Level  
 00 = 1000 × Base Current<sup>(1)</sup>

bit 7-0      **Unimplemented**: Read as '0'

- Note 1:** This current range is not available for use with the internal temperature measurement diode.  
**Note 2:** Refer to the CTMU Current Source Specifications (Table 30-53) in Section 30.0 “Electrical Characteristics” for the current range selection values.  
**Note 3:** Current sources are not generated when 12-Bit ADC mode is chosen. Current sources are active only when 10-Bit ADC mode is chosen.

## 24.0 10-BIT/12-BIT ANALOG-TO-DIGITAL CONVERTER (ADC)

**Note 1:** This data sheet summarizes the features of the dsPIC33EVXXGM00X/10X family of devices. It is not intended to be a comprehensive reference source. To complement the information in this data sheet, refer to “**Analog-to-Digital Converter (ADC)**” (DS70621) in the “*dsPIC33/PIC24 Family Reference Manual*”, which is available from the Microchip web site ([www.microchip.com](http://www.microchip.com)).

**2:** Some registers and associated bits described in this section may not be available on all devices. Refer to **Section 4.0 “Memory Organization”** in this data sheet for device-specific register and bit information.

The Analog-to-Digital (ADC) module in the dsPIC33EVXXGM00X/10X family devices supports up to 36 analog input channels.

The ADC module can be configured by the user as either a 10-bit, 4 Sample-and-Hold (S&H) ADC (default configuration) or a 12-bit, 1 S&H ADC.

**Note:** The ADC module needs to be disabled before modifying the AD12B bit.

### 24.1 Key Features

#### 24.1.1 10-BIT ADC CONFIGURATION

The 10-bit ADC configuration has the following key features:

- Successive Approximation (SAR) Conversion
- Conversion Speeds of up to 1.1 Msps
- Up to 36 Analog Input Pins
- Connections to Four Internal Op Amps
- Connections to the Charge Time Measurement Unit (CTMU) and Temperature Measurement Diode
- Simultaneous Sampling of:
  - Up to four analog input pins
  - Four op amp outputs
- Combinations of Analog Inputs and Op Amp Outputs
- Automatic Channel Scan mode
- Selectable Conversion Trigger Source
- Selectable Buffer Fill modes
- Four Result Alignment Options (signed/unsigned, fractional/integer)
- Operation during CPU Sleep and Idle Modes

#### 24.1.2 12-BIT ADC CONFIGURATION

The 12-bit ADC configuration supports all the features listed previously, with the exception of the following:

- In the 12-bit configuration, conversion speeds of up to 500 ksps are supported
- There is only one S&H amplifier in the 12-bit configuration. Therefore, simultaneous sampling of multiple channels is not supported.

The ADC has up to 36 analog inputs. The analog inputs, AN32 through AN63, are multiplexed, thus providing flexibility in using any of these analog inputs in addition to the analog inputs, AN0 through AN31. Since AN32 through AN63 are multiplexed, do not use two channels simultaneously, since it may result in erroneous output from the module. These analog inputs are shared with op amp inputs and outputs, comparator inputs and external voltage references. When op amp/comparator functionality is enabled, the analog input that shares that pin is no longer available. The actual number of analog input pins and op amps depends on the specific device.

A block diagram of the ADC module with connection options is shown in [Figure 24-1](#). [Figure 24-2](#) shows a block diagram of the ADC conversion clock period.

**FIGURE 24-1: ADCx MODULE BLOCK DIAGRAM WITH CONNECTION OPTIONS FOR ANx PINS AND OP AMPS**

This diagram depicts all of the available ADC connection options to the four S&H amplifiers, which are designated: CH0, CH1, CH2 and CH3.

The ANx analog pins or op amp outputs are connected to the CH0-CH3 amplifiers through the multiplexers, controlled by the SFR control bits, CH0Sx, CH0Nx, CH123Sx and CH123Nx.



- Note 1:** Channels 1, 2 and 3 are not applicable for the 12-bit mode of operation.  
**Note 2:** When ADDMAEN (ADxCON4<8>) = 0, ADC1BUF0-ADC1BUFF are used.  
**Note 3:** When ADDMAEN (ADxCON4<8>) = 1 enabling DMA, only ADC1BUF0 is used.

# dsPIC33EVXXGM00X/10X FAMILY

FIGURE 24-2: ADCx CONVERSION CLOCK PERIOD BLOCK DIAGRAM



# dsPIC33EVXXGM00X/10X FAMILY

---

## 24.2 ADC Helpful Tips

1. The SMP1x control bits in the ADxCON2 registers:
  - a) Determine when the ADC interrupt flag is set and an interrupt is generated, if enabled.
  - b) When the CSCNA bit in the ADxCON2 register is set to '1', this determines when the ADC analog scan channel list, defined in the ADxCSSL/ADxCSSH registers, starts over from the beginning.
  - c) When the DMA peripheral is not used (ADDMAEN = 0), this determines when the ADC Result Buffer Pointer to ADC1BUF0-ADC1BUFF gets reset back to the beginning at ADC1BUF0.
  - d) When the DMA peripheral is used (ADDMAEN = 1), this determines when the DMA Address Pointer is incremented after a sample/conversion operation. ADC1BUF0 is the only ADC buffer used in this mode. The ADC Result Buffer Pointer to ADC1BUF0-ADC1BUFF gets reset back to the beginning at ADC1BUF0. The DMA address is incremented after completion of every 32nd sample/conversion operation. Conversion results are stored in the ADC1BUF0 register for transfer to RAM using the DMA peripheral.
2. When the DMA module is disabled (ADDMAEN = 0), the ADC has 16 result buffers. ADC conversion results are stored sequentially in ADC1BUF0-ADC1BUFF, regardless of which analog inputs are being used subject to the SMP1x bits and the condition described in 1.c) above. There is no relationship between the ANx input being measured and which ADC buffer (ADC1BUF0-ADC1BUFF) that the conversion results will be placed in.
3. When the DMA module is enabled (ADDMAEN = 1), the ADC module has only 1 ADC result buffer (i.e., ADCxBUF0) per ADC peripheral and the ADC conversion result must be read, either by the CPU or DMA Controller, before the next ADC conversion is complete to avoid overwriting the previous value.
4. The DONE bit (ADxCON1<0>) is only cleared at the start of each conversion and is set at the completion of the conversion, but remains set indefinitely, even through the next sample phase until the next conversion begins. If application code is monitoring the DONE bit in any kind of software loop, the user must consider this behavior because the CPU code execution is faster than the ADC. As a result, in Manual Sample mode, particularly where the user's code is setting the SAMP bit (ADxCON1<1>), the DONE bit should also be cleared by the user application just before setting the SAMP bit.
5. Enabling op amps, comparator inputs and external voltage references can limit the availability of analog inputs (ANx pins). For example, when Op Amp 2 is enabled, the pins for AN0, AN1 and AN2 are used by the op amp's inputs and output. This negates the usefulness of Alternate Input mode since the MUX A selections use AN0-AN2. Carefully study the ADC block diagram to determine the configuration that will best suit your application. For configuration examples, refer to "**Analog-to-Digital Converter (ADC)**" (DS70621) in the "*dsPIC33/PIC24 Family Reference Manual*".



# dsPIC33EVXXGM00X/10X FAMILY

## 24.3 ADC Control Registers

**REGISTER 24-1: ADxCON1: ADCx CONTROL REGISTER 1**

|        |       |        |         |        |       |               |                     |
|--------|-------|--------|---------|--------|-------|---------------|---------------------|
| R/W-0  | U-0   | R/W-0  | R/W-0   | U-0    | R/W-0 | R/W-0         | R/W-0               |
| ADON   | —     | ADSIDL | ADDMABM | —      | AD12B | FORM1         | FORM0               |
| bit 15 |       |        |         |        |       |               | bit 8               |
| R/W-0  | R/W-0 | R/W-0  | R/W-0   | R/W-0  | R/W-0 | R/W-0, HC, HS | R/C-0, HC, HS       |
| SSRC2  | SSRC1 | SSRC0  | SSRCG   | SIMSAM | ASAM  | SAMP          | DONE <sup>(1)</sup> |
| bit 7  |       |        |         |        |       |               | bit 0               |

|                   |                   |   |
|-------------------|-------------------|---|
| <b>Legend:</b>    | C = Clearable bit | U = Unimplemented bit, read as '0'                        |
| R = Readable bit  | W = Writable bit  | HS = Hardware Settable bit    HC = Hardware Clearable bit |
| -n = Value at POR | '1' = Bit is set  | '0' = Bit is cleared            x = Bit is unknown        |

- bit 15      **ADON:** ADCx Operating Mode bit  
 1 = ADCx module is operating  
 0 = ADCx is off
- bit 14      **Unimplemented:** Read as '0'
- bit 13      **ADSIDL:** ADCx Stop in Idle Mode bit  
 1 = Discontinues module operation when the device enters Idle mode  
 0 = Continues module operation in Idle mode
- bit 12      **ADDMABM:** ADCx DMA Buffer Build Mode bit  
 1 = DMA buffers are written in the order of conversion; the module provides an address to the DMA channel that is the same as the address used for the non-DMA stand-alone buffer  
 0 = DMA buffers are written in Scatter/Gather mode; the module provides a Scatter/Gather mode address to the DMA channel based on the index of the analog input and the size of the DMA buffer
- bit 11      **Unimplemented:** Read as '0'
- bit 10      **AD12B:** ADCx 10-Bit or 12-Bit Operation Mode bit  
 1 = 12-bit, 1-channel ADC operation  
 0 = 10-bit, 4-channel ADC operation
- bit 9-8     **FORM<1:0>:** Data Output Format bits  
For 10-Bit Operation:  
 11 = Signed fractional (DOUT = sddd dddd dd00 0000, where s = .NOT.d<9>)  
 10 = Fractional (DOUT = dddd dddd dd00 0000)  
 01 = Signed integer (DOUT = ssss sssd dddd dddd, where s = .NOT.d<9>)  
 00 = Integer (DOUT = 0000 00dd dddd dddd)  
For 12-Bit Operation:  
 11 = Signed fractional (DOUT = sddd dddd dddd 0000, where s = .NOT.d<11>)  
 10 = Fractional (DOUT = dddd dddd dddd 0000)  
 01 = Signed integer (DOUT = ssss sddd dddd dddd, where s = .NOT.d<11>)  
 00 = Integer (DOUT = 0000 dddd dddd dddd)

**Note 1:** Do not clear the DONE bit in software if auto-sample is enabled (ASAM = 1).

# dsPIC33EVXXGM00X/10X FAMILY

---

## REGISTER 24-1: ADxCON1: ADCx CONTROL REGISTER 1 (CONTINUED)

- bit 7-5     **SSRC<2:0>**: Sample Clock Source Select bits  
          If SSRCG = 1:  
          111 = Reserved  
          110 = Reserved  
          101 = Reserved  
          100 = Reserved  
          011 = Reserved  
          010 = PWM Generator 3 primary trigger compare ends sampling and starts conversion  
          001 = PWM Generator 2 primary trigger compare ends sampling and starts conversion  
          000 = PWM Generator 1 primary trigger compare ends sampling and starts conversion  
          If SSRCG = 0:  
          111 = Internal counter ends sampling and starts conversion (auto-convert)  
          110 = CTMU ends sampling and starts conversion  
          101 = Reserved  
          100 = Timer5 compare ends sampling and starts conversion  
          011 = PWM primary Special Event Trigger ends sampling and starts conversion  
          010 = Timer3 compare ends sampling and starts conversion  
          001 = Active transition on the INT0 pin ends sampling and starts conversion  
          000 = Clearing the Sample bit (SAMP) ends sampling and starts conversion (Manual mode)
- bit 4     **SSRCG**: Sample Trigger Source Group bit  
          See SSRC<2:0> for details.
- bit 3     **SIMSAM**: Simultaneous Sample Select bit (only applicable when CHPS<1:0> = 01 or 1x)  
          In 12-Bit Mode (AD12B = 1), SIMSAM is Unimplemented and is Read as '0':  
          1 = Samples CH0, CH1, CH2, CH3 simultaneously (when CHPS<1:0> = 1x) or samples CH0 and CH1  
              simultaneously (when CHPS<1:0> = 01)  
          0 = Samples multiple channels individually in sequence
- bit 2     **ASAM**: ADCx Sample Auto-Start bit  
          1 = Sampling begins immediately after last conversion; SAMP bit is auto-set  
          0 = Sampling begins when SAMP bit is set
- bit 1     **SAMP**: ADCx Sample Enable bit  
          1 = ADCx Sample-and-Hold amplifiers are sampling  
          0 = ADCx Sample-and-Hold amplifiers are holding  
          If ASAM = 0, software can write '1' to begin sampling. Automatically set by hardware if ASAM = 1. If  
          SSRC<2:0> = 000, software can write '0' to end sampling and start conversion. If SSRC<2:0> ≠ 000,  
          automatically cleared by hardware to end sampling and start conversion.
- bit 0     **DONE**: ADCx Conversion Status bit<sup>(1)</sup>  
          1 = ADCx conversion cycle is completed.  
          0 = ADCx conversion has not started or is in progress  
          Automatically set by hardware when conversion is complete. Software can write '0' to clear DONE bit  
          status (software not allowed to write '1'). Clearing this bit does NOT affect any operation in progress.  
          Automatically cleared by hardware at the start of a new conversion.

**Note 1:** Do not clear the DONE bit in software if auto-sample is enabled (ASAM = 1).

# dsPIC33EVXXGM00X/10X FAMILY

## REGISTER 24-2: ADxCON2: ADCx CONTROL REGISTER 2

|                      |                      |                      |     |     |       |       |       |
|----------------------|----------------------|----------------------|-----|-----|-------|-------|-------|
| R/W-0                | R/W-0                | R/W-0                | U-0 | U-0 | R/W-0 | R/W-0 | R/W-0 |
| VCFG2 <sup>(1)</sup> | VCFG1 <sup>(1)</sup> | VCFG0 <sup>(1)</sup> | —   | —   | CSCNA | CHPS1 | CHPS0 |
| bit 15               |                      |                      |     |     |       | bit 8 |       |

|       |       |       |       |       |       |       |       |
|-------|-------|-------|-------|-------|-------|-------|-------|
| R-0   | R/W-0 | R/W-0 | R/W-0 | R/W-0 | R/W-0 | R/W-0 | R/W-0 |
| BUFS  | SMPI4 | SMPI3 | SMPI2 | SMPI1 | SMPI0 | BUFM  | ALTS  |
| bit 7 |       |       |       |       |       | bit 0 |       |

### Legend:

R = Readable bit                      W = Writable bit                      U = Unimplemented bit, read as '0'  
 -n = Value at POR                      '1' = Bit is set                      '0' = Bit is cleared                      x = Bit is unknown

bit 15-13      **VCFG<2:0>**: Converter Voltage Reference Configuration bits<sup>(1)</sup>

| Value | VREFH | VREFL |
|-------|-------|-------|
| xxx   | AVDD  | AVSS  |

bit 12-11      **Unimplemented**: Read as '0'

bit 10      **CSCNA**: Input Scan Select bit

1 = Scans inputs for CH0+ during Sample MUX A  
 0 = Does not scan inputs

bit 9-8      **CHPS<1:0>**: Channel Select bits

In 12-Bit Mode (AD21B = 1), CHPS<1:0> bits are Unimplemented and are Read as '0':

1x = Converts CH0, CH1, CH2 and CH3  
 01 = Converts CH0 and CH1  
 00 = Converts CH0

bit 7      **BUFS**: Buffer Fill Status bit (only valid when BUFM = 1)

1 = ADCx is currently filling the second half of the buffer; the user application should access data in the first half of the buffer  
 0 = ADCx is currently filling the first half of the buffer; the user application should access data in the second half of the buffer

bit 6-2      **SMPI<4:0>**: Increment Rate bits

When ADDMAEN = 0:

x1111 = Generates interrupt after completion of every 16th sample/conversion operation  
 x1110 = Generates interrupt after completion of every 15th sample/conversion operation

•  
•  
•

x0001 = Generates interrupt after completion of every 2nd sample/conversion operation  
 x0000 = Generates interrupt after completion of every sample/conversion operation

When ADDMAEN = 1:

11111 = Increments the DMA address after completion of every 32nd sample/conversion operation  
 11110 = Increments the DMA address after completion of every 31st sample/conversion operation

•  
•  
•

00001 = Increments the DMA address after completion of every 2nd sample/conversion operation  
 00000 = Increments the DMA address after completion of every sample/conversion operation

**Note 1:** The ADCx VREFH Input is connected to AVDD and the VREFL input is connected to AVSS.

# dsPIC33EVXXGM00X/10X FAMILY

---

---

## REGISTER 24-2: ADxCON2: ADCx CONTROL REGISTER 2 (CONTINUED)

- bit 1      **BUFm**: Buffer Fill Mode Select bit  
1 = Starts buffer filling the first half of the buffer on the first interrupt and the second half of the buffer on the next interrupt  
0 = Always starts filling the buffer from the Start address
- bit 0      **ALTS**: Alternate Input Sample Mode Select bit  
1 = Uses channel input selects for Sample MUX A on the first sample and Sample MUX B on the next sample  
0 = Always uses channel input selects for Sample MUX A

**Note 1:** The ADCx VREFH Input is connected to AVDD and the VREFL input is connected to AVSS.

# dsPIC33EVXXGM00X/10X FAMILY

## REGISTER 24-3: ADxCON3: ADCx CONTROL REGISTER 3

|        |     |     |                      |                      |                      |                      |                      |
|--------|-----|-----|----------------------|----------------------|----------------------|----------------------|----------------------|
| R/W-0  | U-0 | U-0 | R/W-0                | R/W-0                | R/W-0                | R/W-0                | R/W-0                |
| ADRC   | —   | —   | SAMC4 <sup>(1)</sup> | SAMC3 <sup>(1)</sup> | SAMC2 <sup>(1)</sup> | SAMC1 <sup>(1)</sup> | SAMC0 <sup>(1)</sup> |
| bit 15 |     |     |                      |                      |                      |                      | bit 8                |

|                      |                      |                      |                      |                      |                      |                      |                      |
|----------------------|----------------------|----------------------|----------------------|----------------------|----------------------|----------------------|----------------------|
| R/W-0                | R/W-0                | R/W-0                | R/W-0                | R/W-0                | R/W-0                | R/W-0                | R/W-0                |
| ADCS7 <sup>(2)</sup> | ADCS6 <sup>(2)</sup> | ADCS5 <sup>(2)</sup> | ADCS4 <sup>(2)</sup> | ADCS3 <sup>(2)</sup> | ADCS2 <sup>(2)</sup> | ADCS1 <sup>(2)</sup> | ADCS0 <sup>(2)</sup> |
| bit 7                |                      |                      |                      |                      |                      |                      | bit 0                |

### Legend:

R = Readable bit

W = Writable bit

U = Unimplemented bit, read as '0'

-n = Value at POR

'1' = Bit is set

'0' = Bit is cleared

x = Bit is unknown

bit 15      **ADRC:** ADCx Conversion Clock Source bit

- 1 = ADCx internal RC clock
- 0 = Clock derived from system clock

bit 14-13    **Unimplemented:** Read as '0'

bit 12-8     **SAMC<4:0>:** Auto-Sample Time bits<sup>(1)</sup>

11111 = 31 TAD

•

•

•

00001 = 1 TAD

00000 = 0 TAD

bit 7-0      **ADCS<7:0>:** ADCx Conversion Clock Select bits<sup>(2)</sup>

11111111 =  $TP \cdot (ADCS<7:0> + 1) = TP \cdot 256 = TAD$

•

•

•

0000010 =  $TP \cdot (ADCS<7:0> + 1) = TP \cdot 3 = TAD$

0000001 =  $TP \cdot (ADCS<7:0> + 1) = TP \cdot 2 = TAD$

0000000 =  $TP \cdot (ADCS<7:0> + 1) = TP \cdot 1 = TAD$

**Note 1:** These bits are only used if SSRG<2:0> (ADxCON1<7:5>) = 111 and SSRG (ADxCON1<4>) = 0.

**2:** These bits are not used if ADRC (ADxCON3<15>) = 1.

# dsPIC33EVXXGM00X/10X FAMILY

## REGISTER 24-4: ADxCON4: ADCx CONTROL REGISTER 4

|        |     |     |     |     |     |     |         |
|--------|-----|-----|-----|-----|-----|-----|---------|
| U-0    | U-0 | U-0 | U-0 | U-0 | U-0 | U-0 | R/W-0   |
| —      | —   | —   | —   | —   | —   | —   | ADDMAEN |
| bit 15 |     |     |     |     |     |     | bit 8   |

|       |     |     |     |     |        |        |        |
|-------|-----|-----|-----|-----|--------|--------|--------|
| U-0   | U-0 | U-0 | U-0 | U-0 | R/W-0  | R/W-0  | R/W-0  |
| —     | —   | —   | —   | —   | DMABL2 | DMABL1 | DMABL0 |
| bit 7 |     |     |     |     |        | bit 0  |        |

### Legend:

R = Readable bit

W = Writable bit

U = Unimplemented bit, read as '0'

-n = Value at POR

'1' = Bit is set

'0' = Bit is cleared

x = Bit is unknown

bit 15-9

**Unimplemented:** Read as '0'

bit 8

**ADDMAEN:** ADCx DMA Enable bit

1 = Conversion results are stored in the ADC1BUF0 register for transfer to RAM using DMA

0 = Conversion results are stored in the ADC1BUF0 through ADC1BUFF registers; DMA will not be used

bit 7-3

**Unimplemented:** Read as '0'

bit 2-0

**DMABL<2:0>:** Selects Number of DMA Buffer Locations per Analog Input bits

111 = Allocates 128 words of buffer to each analog input

110 = Allocates 64 words of buffer to each analog input

101 = Allocates 32 words of buffer to each analog input

100 = Allocates 16 words of buffer to each analog input

011 = Allocates 8 words of buffer to each analog input

010 = Allocates 4 words of buffer to each analog input

001 = Allocates 2 words of buffer to each analog input

000 = Allocates 1 word of buffer to each analog input

# dsPIC33EVXXGM00X/10X FAMILY

## REGISTER 24-5: ADxCHS123: ADCx INPUT CHANNELS 1, 2, 3 SELECT REGISTER

|        |     |     |          |          |          |          |          |
|--------|-----|-----|----------|----------|----------|----------|----------|
| U-0    | U-0 | U-0 | R/W-0    | R/W-0    | R/W-0    | R/W-0    | R/W-0    |
| —      | —   | —   | CH123SB2 | CH123SB1 | CH123NB1 | CH123NB0 | CH123SB0 |
| bit 15 |     |     |          |          |          |          | bit 8    |

|       |     |     |          |          |          |          |          |
|-------|-----|-----|----------|----------|----------|----------|----------|
| U-0   | U-0 | U-0 | R/W-0    | R/W-0    | R/W-0    | R/W-0    | R/W-0    |
| —     | —   | —   | CH123SA2 | CH123SA1 | CH123NA1 | CH123NA0 | CH123SA0 |
| bit 7 |     |     |          |          |          |          | bit 0    |

**Legend:**

|                   |                  |  |
|-------------------|------------------|--|
| R = Readable bit  | W = Writable bit | U = Unimplemented bit, read as '0'           |
| -n = Value at POR | '1' = Bit is set | '0' = Bit is cleared      x = Bit is unknown |

- bit 15-13      **Unimplemented:** Read as '0'
- bit 12-11     **CH123SB<2:1>:** Channels 1, 2, 3 Positive Input Select for Sample B bits
  - 1xx = CH1 positive input is AN0 (Op Amp 2), CH2 positive input is AN25 (Op Amp 5), CH3 positive input is AN6 (Op Amp 3)
  - 011 = CH1 positive input is AN3 (Op Amp 1), CH2 positive input is AN0 (Op Amp 2), CH3 positive input is AN25 (Op Amp 5)
  - 010 = CH1 positive input is AN3 (Op Amp 1), CH2 positive input is AN0 (Op Amp 2), CH3 positive input is AN6 (Op Amp 3)
  - 001 = CH1 positive input is AN3, CH2 positive input is AN4, CH3 positive input is AN5
  - 000 = CH1 positive input is AN0, CH2 positive input is AN1, CH3 positive input is AN2
- bit 10-9      **CH123NB<1:0>:** Channels 1, 2, 3 Negative Input Select for Sample B bits
  - 11 = CH1 negative input is AN9, CH2 negative input is AN10, CH3 negative input is AN11
  - 10 = CH1 negative input is AN6, CH2 negative input is AN7, CH3 negative input is AN8
  - 0x = CH1, CH2, CH3 negative inputs are VREFL
- bit 8          **CH123SB0:** Channels 1, 2, 3 Positive Input Select for Sample B bit  
See bits<12:11> for bit selections.
- bit 7-5       **Unimplemented:** Read as '0'
- bit 4-3       **CH123SA<2:1>:** Channels 1, 2, 3 Positive Input Select for Sample A bits
  - 1xx = CH1 positive input is AN0 (Op Amp 2), CH2 positive input is AN25 (Op Amp 5), CH3 positive input is AN6 (Op Amp 3)
  - 011 = CH1 positive input is AN3 (Op Amp 1), CH2 positive input is AN0 (Op Amp 2), CH3 positive input is AN25 (Op Amp 5)
  - 010 = CH1 positive input is AN3 (Op Amp 1), CH2 positive input is AN0 (Op Amp 2), CH3 positive input is AN6 (Op Amp 3)
  - 001 = CH1 positive input is AN3, CH2 positive input is AN4, CH3 positive input is AN5
  - 000 = CH1 positive input is AN0, CH2 positive input is AN1, CH3 positive input is AN2
- bit 2-1       **CH123NA<1:0>:** Channels 1, 2, 3 Negative Input Select for Sample A bits
  - 11 = CH1 negative input is AN9, CH2 negative input is AN10, CH3 negative input is AN11
  - 10 = CH1 negative input is AN6, CH2 negative input is AN7, CH3 negative input is AN8
  - 0x = CH1, CH2, CH3 negative inputs are VREFL
- bit 0          **CH123SA0:** Channels 1, 2, 3 Positive Input Select for Sample A bit  
See bits<4:3> for bit selections.

# dsPIC33EVXXGM00X/10X FAMILY

## REGISTER 24-6: ADxCHS0: ADCx INPUT CHANNEL 0 SELECT REGISTER

|        |     |                         |                         |                         |                         |                         |                         |
|--------|-----|-------------------------|-------------------------|-------------------------|-------------------------|-------------------------|-------------------------|
| R/W-0  | U-0 | R/W-0                   | R/W-0                   | R/W-0                   | R/W-0                   | R/W-0                   | R/W-0                   |
| CH0NB  | —   | CH0SB5 <sup>(1,3)</sup> | CH0SB4 <sup>(1,3)</sup> | CH0SB3 <sup>(1,3)</sup> | CH0SB2 <sup>(1,3)</sup> | CH0SB1 <sup>(1,3)</sup> | CH0SB0 <sup>(1,3)</sup> |
| bit 15 |     |                         |                         |                         |                         |                         | bit 8                   |

|       |     |                         |                         |                         |                         |                         |                         |
|-------|-----|-------------------------|-------------------------|-------------------------|-------------------------|-------------------------|-------------------------|
| R/W-0 | U-0 | R/W-0                   | R/W-0                   | R/W-0                   | R/W-0                   | R/W-0                   | R/W-0                   |
| CH0NA | —   | CH0SA5 <sup>(1,3)</sup> | CH0SA4 <sup>(1,3)</sup> | CH0SA3 <sup>(1,3)</sup> | CH0SA2 <sup>(1,3)</sup> | CH0SA1 <sup>(1,3)</sup> | CH0SA0 <sup>(1,3)</sup> |
| bit 7 |     |                         |                         |                         |                         |                         | bit 0                   |

### Legend:

R = Readable bit      W = Writable bit      U = Unimplemented bit, read as '0'  
 -n = Value at POR      '1' = Bit is set      '0' = Bit is cleared      x = Bit is unknown

bit 15      **CH0NB:** Channel 0 Negative Input Select for Sample MUX B bit

1 = Channel 0 negative input is AN1<sup>(1)</sup>  
 0 = Channel 0 negative input is VREFL

bit 14      **Unimplemented:** Read as '0'

bit 13-8      **CH0SB<5:0>:** Channel 0 Positive Input Select for Sample MUX B bits<sup>(1,3)</sup>

111111 = Channel 0 positive input is AN63  
 111110 = Channel 0 positive input is AN62  
 111101 = Channel 0 positive input is AN61 (internal band gap voltage)  
 •  
 •  
 •  
 011111 = Channel 0 positive input is AN31  
 011110 = Channel 0 positive input is AN30  
 •  
 •  
 •  
 000001 = Channel 0 positive input is AN1  
 000000 = Channel 0 positive input is AN0 (Op Amp 2)<sup>(2)</sup>

bit 7      **CH0NA:** Channel 0 Negative Input Select for Sample MUX A bit

1 = Channel 0 negative input is AN1<sup>(1)</sup>  
 0 = Channel 0 negative input is VREFL

bit 6      **Unimplemented:** Read as '0'

- Note 1:** AN0 to AN7 are repurposed when comparator and op amp functionality are enabled. See [Figure 24-1](#) to determine how enabling a particular op amp or comparator affects selection choices for Channels 1, 2 and 3.
- Note 2:** If the op amp is selected (OPAEN bit (CMxCON<10>) = 1), the OAx input is used; otherwise, the ANx input is used.
- Note 3:** See the "[Pin Diagrams](#)" section for the available analog channels for each device.



# dsPIC33EVXXGM00X/10X FAMILY

---

## REGISTER 24-6: ADxCHS0: ADCx INPUT CHANNEL 0 SELECT REGISTER (CONTINUED)

bit 5-0      **CH0SA<5:0>**: Channel 0 Positive Input Select for Sample MUX A bits<sup>(1,3)</sup>

- 111111 = Channel 0 positive input is AN63 (Unconnected)
- 111110 = Channel 0 positive input is AN62 (CTMU temperature diode)
- 111101 = Channel 0 positive input is AN61 (internal band gap voltage)
- 
- 
- 
- 011111 = Channel 0 positive input is AN31
- 011110 = Channel 0 positive input is AN30
- 
- 
- 
- 000001 = Channel 0 positive input is AN1
- 000000 = Channel 0 positive input is AN0 (Op Amp 2)<sup>(2)</sup>

- Note 1:** AN0 to AN7 are repurposed when comparator and op amp functionality are enabled. See [Figure 24-1](#) to determine how enabling a particular op amp or comparator affects selection choices for Channels 1, 2 and 3.
- 2:** If the op amp is selected (OPAEN bit (CMxCON<10>) = 1), the OAx input is used; otherwise, the ANx input is used.
- 3:** See the [“Pin Diagrams”](#) section for the available analog channels for each device.

# dsPIC33EVXXXGM00X/10X FAMILY

## REGISTER 24-7: ADxCSSH: ADCx INPUT SCAN SELECT REGISTER HIGH<sup>(2)</sup>

|        |       |       |       |       |                      |                      |                      |
|--------|-------|-------|-------|-------|----------------------|----------------------|----------------------|
| R/W-0  | R/W-0 | R/W-0 | R/W-0 | R/W-0 | R/W-0                | R/W-0                | R/W-0                |
| CSS31  | CSS30 | CSS29 | CSS28 | CSS27 | CSS26 <sup>(1)</sup> | CSS25 <sup>(1)</sup> | CSS24 <sup>(1)</sup> |
| bit 15 |       |       |       |       |                      |                      | bit 8                |

|       |     |     |     |       |       |       |       |
|-------|-----|-----|-----|-------|-------|-------|-------|
| U-0   | U-0 | U-0 | U-0 | R/W-0 | R/W-0 | R/W-0 | R/W-0 |
| —     | —   | —   | —   | CSS19 | CSS18 | CSS17 | CSS16 |
| bit 7 |     |     |     |       |       |       | bit 0 |

### Legend:

R = Readable bit

W = Writable bit

U = Unimplemented bit, read as '0'

-n = Value at POR

'1' = Bit is set

'0' = Bit is cleared

x = Bit is unknown

- bit 15      **CSS31:** ADCx Input Scan Selection bit  
1 = Selects ANx for input scan  
0 = Skips ANx for input scan
- bit 14      **CSS30:** ADCx Input Scan Selection bit  
1 = Selects ANx for input scan  
0 = Skips ANx for input scan
- bit 13      **CSS29:** ADCx Input Scan Selection bits  
1 = Selects ANx for input scan  
0 = Skips ANx for input scan
- bit 12      **CSS28:** ADCx Input Scan Selection bit  
1 = Selects ANx for input scan  
0 = Skips ANx for input scan
- bit 11      **CSS27:** ADCx Input Scan Selection bit  
1 = Selects ANx for input scan  
0 = Skips ANx for input scan
- bit 10      **CSS26:** ADCx Input Scan Selection bit<sup>(1)</sup>  
1 = Selects OA3/AN6 for input scan  
0 = Skips OA3/AN6 for input scan
- bit 9        **CSS25:** ADCx Input Scan Selection bit<sup>(1)</sup>  
1 = Selects OA2/AN0 for input scan  
0 = Skips OA2/AN0 for input scan
- bit 8        **CSS24:** ADCx Input Scan Selection bit<sup>(1)</sup>  
1 = Selects OA1/AN3 for input scan  
0 = Skips OA1/AN3 for input scan
- bit 7-4      **Unimplemented:** Read as '0'
- bit 3        **CSS19:** ADCx Input Scan Selection bit  
1 = Selects ANx for input scan  
0 = Skips ANx for input scan
- bit 2        **CSS18:** ADCx Input Scan Selection bit  
1 = Selects ANx for input scan  
0 = Skips ANx for input scan

**Note 1:** If the op amp is selected (OPAEN bit (CMxCON<10>) = 1), the OAx input is used; otherwise, the ANx input is used.

**2:** All bits in this register can be selected by the user application. However, inputs selected for scan without a corresponding input on the device convert VREFL.

## REGISTER 24-7: ADxCSSH: ADCx INPUT SCAN SELECT REGISTER HIGH<sup>(2)</sup> (CONTINUED)

bit 1           **CSS17:** ADCx Input Scan Selection bit

1 = Selects ANx for input scan

0 = Skips ANx for input scan

bit 0           **CSS16:** ADCx Input Scan Selection bit

1 = Selects ANx for input scan

0 = Skips ANx for input scan

**Note 1:** If the op amp is selected (OPAEN bit (CMxCON<10>) = 1), the OAx input is used; otherwise, the ANx input is used.

**2:** All bits in this register can be selected by the user application. However, inputs selected for scan without a corresponding input on the device convert VREFL.

# dsPIC33EVXXGM00X/10X FAMILY

## REGISTER 24-8: ADxCSSL: ADCx INPUT SCAN SELECT REGISTER LOW<sup>(1,2)</sup>

|           |       |       |       |       |       |       |       |
|-----------|-------|-------|-------|-------|-------|-------|-------|
| R/W-0     | R/W-0 | R/W-0 | R/W-0 | R/W-0 | R/W-0 | R/W-0 | R/W-0 |
| CSS<15:8> |       |       |       |       |       |       |       |
| bit 15    |       |       |       | bit 8 |       |       |       |

|          |       |       |       |       |       |       |       |
|----------|-------|-------|-------|-------|-------|-------|-------|
| R/W-0    | R/W-0 | R/W-0 | R/W-0 | R/W-0 | R/W-0 | R/W-0 | R/W-0 |
| CSS<7:0> |       |       |       |       |       |       |       |
| bit 7    |       |       |       | bit 0 |       |       |       |

### Legend:

|                   |                  |  |
|-------------------|------------------|--|
| R = Readable bit  | W = Writable bit | U = Unimplemented bit, read as '0'           |
| -n = Value at POR | '1' = Bit is set | '0' = Bit is cleared      x = Bit is unknown |

bit 15-0      **CSS<15:0>**: ADCx Input Scan Selection bits  
                   1 = Selects ANx for input scan  
                   0 = Skips ANx for input scan

- Note 1:** On devices with less than 16 analog inputs, all bits in this register can be selected by the user application. However, inputs selected for scan without a corresponding input on the device convert VREFL.
- 2:** CSSx = ANx, where 'x' = 0-5.

## 25.0 OP AMP/COMPARATOR MODULE

**Note 1:** This data sheet summarizes the features of the dsPIC33EVXXGM00X/10X family of devices. It is not intended to be a comprehensive reference source. To complement the information in this data sheet, refer to “Op Amp/Comparator” (DS70000357) in the “dsPIC33/PIC24 Family Reference Manual”, which is available from the Microchip web site ([www.microchip.com](http://www.microchip.com)).

**2:** Some registers and associated bits described in this section may not be available on all devices. Refer to **Section 4.0 “Memory Organization”** in this data sheet for device-specific register and bit information.

The dsPIC33EVXXGM00X/10X family devices contain up to five comparators that can be configured in various ways. CMP1, CMP2, CMP3 and CMP5 also have the option to be configured as op amps, with the output being brought to an external pin for gain/filtering connections. As shown in **Figure 25-1**, individual comparator options are specified by the comparator module’s Special Function Register (SFR) control bits.

The following options allow users to:

- Select the Edge for Trigger and Interrupt Generation
- Configure the Comparator Voltage Reference
- Configure Output Blanking and Masking
- Configure as a Comparator or Op Amp (CMP1, CMP2, CMP3 and CMP5 only)

**Note:** Not all op amp/comparator input/output connections are available on all devices. See the “Pin Diagrams” section for available connections.

**FIGURE 25-1: OP AMP/COMPARATOR x MODULE BLOCK DIAGRAM**



# dsPIC33EVXXGM00X/10X FAMILY

Figure 25-2, shows the user-programmable blanking function block diagram.

**FIGURE 25-2: USER-PROGRAMMABLE BLANKING FUNCTION BLOCK DIAGRAM**



Figure 25-3, shows the digital filter interconnect block diagram.

**FIGURE 25-3: DIGITAL FILTER INTERCONNECT BLOCK DIAGRAM**



# dsPIC33EVXXGM00X/10X FAMILY

## 25.1 Op Amp/Comparator Control Registers

### REGISTER 25-1: CMSTAT: OP AMP/COMPARATOR STATUS REGISTER

|        |     |     |                      |                      |                      |                      |                      |
|--------|-----|-----|----------------------|----------------------|----------------------|----------------------|----------------------|
| R/W-0  | U-0 | U-0 | R-0                  | R-0                  | R-0                  | R-0                  | R-0                  |
| PSIDL  | —   | —   | C5EVT <sup>(1)</sup> | C4EVT <sup>(1)</sup> | C3EVT <sup>(1)</sup> | C2EVT <sup>(1)</sup> | C1EVT <sup>(1)</sup> |
| bit 15 |     |     |                      |                      |                      |                      | bit 8                |

|       |     |     |                      |                      |                      |                      |                      |
|-------|-----|-----|----------------------|----------------------|----------------------|----------------------|----------------------|
| U-0   | U-0 | U-0 | R-0                  | R-0                  | R-0                  | R-0                  | R-0                  |
| —     | —   | —   | C5OUT <sup>(2)</sup> | C4OUT <sup>(2)</sup> | C3OUT <sup>(2)</sup> | C2OUT <sup>(2)</sup> | C1OUT <sup>(2)</sup> |
| bit 7 |     |     |                      |                      |                      |                      | bit 0                |

#### Legend:

R = Readable bit                      W = Writable bit                      U = Unimplemented bit, read as '0'  
 -n = Value at POR                      '1' = Bit is set                      '0' = Bit is cleared                      x = Bit is unknown

bit 15                      **PSIDL:** Op Amp/Comparator Stop in Idle Mode bit  
 1 = Discontinues operation of all op amps/comparators when device enters Idle mode  
 0 = Continues operation of all op amps/comparators in Idle mode

bit 14-13                      **Unimplemented:** Read as '0'

bit 12-8                      **C5EVT:C1EVT:** Op Amp/Comparator 1-5 Event Status bits<sup>(1)</sup>  
 1 = Op amp/comparator event occurred  
 0 = Op amp/comparator event did not occur

bit 7-5                      **Unimplemented:** Read as '0'

bit 4-0                      **C5OUT:C1OUT:** Op Amp/Comparator 1-5 Output Status bits<sup>(2)</sup>  
When CPOL = 0:  
 1 =  $V_{IN+} > V_{IN-}$   
 0 =  $V_{IN+} < V_{IN-}$   
When CPOL = 1:  
 1 =  $V_{IN+} < V_{IN-}$   
 0 =  $V_{IN+} > V_{IN-}$

**Note 1:** Reflects the value of the of the CEVT bit in the respective Op Amp/Comparator Control register, CMxCON<9>.

**2:** Reflects the value of the COUT bit in the respective Op Amp/Comparator Control register, CMxCON<8>.

# dsPIC33EVXXGM00X/10X FAMILY

## REGISTER 25-2: CMxCON: COMPARATOR x CONTROL REGISTER (x = 1, 2, 3 OR 5)

|        |       |       |     |     |                      |       |       |
|--------|-------|-------|-----|-----|----------------------|-------|-------|
| R/W-0  | R/W-0 | R/W-0 | U-0 | U-0 | R/W-0                | R/W-0 | R-0   |
| CON    | COE   | CPOL  | —   | —   | OPAEN <sup>(2)</sup> | CEVT  | COUT  |
| bit 15 |       |       |     |     |                      |       | bit 8 |

|                       |                       |     |                     |     |     |                     |                     |
|-----------------------|-----------------------|-----|---------------------|-----|-----|---------------------|---------------------|
| R/W-0                 | R/W-0                 | U-0 | R/W-0               | U-0 | U-0 | R/W-0               | R/W-0               |
| EVPOL1 <sup>(3)</sup> | EVPOL0 <sup>(3)</sup> | —   | CREF <sup>(1)</sup> | —   | —   | CCH1 <sup>(1)</sup> | CCH0 <sup>(1)</sup> |
| bit 7                 |                       |     |                     |     |     |                     | bit 0               |

### Legend:

|                   |                  |                                    |
|-------------------|------------------|------------------------------------|
| R = Readable bit  | W = Writable bit | U = Unimplemented bit, read as '0' |
| -n = Value at POR | '1' = Bit is set | '0' = Bit is cleared               |
|                   |                  | x = Bit is unknown                 |

- bit 15      **CON:** Op Amp/Comparator x Enable bit  
 1 = Op Amp/Comparator x is enabled  
 0 = Op Amp/Comparator x is disabled
- bit 14      **COE:** Comparator x Output Enable bit  
 1 = Comparator output is present on the CxOUT pin  
 0 = Comparator output is internal only
- bit 13      **CPOL:** Comparator x Output Polarity Select bit  
 1 = Comparator output is inverted  
 0 = Comparator output is not inverted
- bit 12-11   **Unimplemented:** Read as '0'
- bit 10      **OPAEN:** Op Amp x Enable bit<sup>(2)</sup>  
 1 = Op Amp x is enabled  
 0 = Op Amp x is disabled
- bit 9        **CEVT:** Comparator x Event bit  
 1 = Comparator event, according to EVPOL<1:0> settings, occurred; disables future triggers and interrupts until the bit is cleared  
 0 = Comparator event did not occur
- bit 8        **COUT:** Comparator x Output bit  
When CPOL = 0 (non-inverted polarity):  
 1 = VIN+ > VIN-  
 0 = VIN+ < VIN-  
When CPOL = 1 (inverted polarity):  
 1 = VIN+ < VIN-  
 0 = VIN+ > VIN-

**Note 1:** Inputs that are selected and not available will be tied to Vss. See the “Pin Diagrams” section for available inputs for each package.

**2:** The op amp and the comparator can be used simultaneously in these devices. The OPAEN bit only enables the op amp while the comparator is still functional.

**3:** After configuring the comparator, either for a high-to-low or low-to-high COUT transition (EVPOL<1:0> (CMxCON<7:6>) = 10 or 01), the Comparator x Event bit, CEVT (CMxCON<9>), and the Comparator Interrupt Flag, CMPIF (IFS1<2>), must be cleared before enabling the Comparator Interrupt Enable bit, CMPIE (IEC1<2>).



# dsPIC33EVXXGM00X/10X FAMILY

## REGISTER 25-2: CMxCON: COMPARATOR x CONTROL REGISTER (x = 1, 2, 3 OR 5) (CONTINUED)

- bit 7-6 **EVPOL<1:0>**: Trigger/Event/Interrupt Polarity Select bits<sup>(3)</sup>
- 11 = Trigger/event/interrupt generated on any change of the comparator output (while CEVT = 0)
  - 10 = Trigger/event/interrupt generated only on high-to-low transition of the polarity selected comparator output (while CEVT = 0)
    - If CPOL = 1 (inverted polarity):  
Low-to-high transition of the comparator output.
    - If CPOL = 0 (non-inverted polarity):  
High-to-low transition of the comparator output.
  - 01 = Trigger/event/interrupt generated only on low-to-high transition of the polarity selected comparator output (while CEVT = 0)
    - If CPOL = 1 (inverted polarity):  
High-to-low transition of the comparator output.
    - If CPOL = 0 (non-inverted polarity):  
Low-to-high transition of the comparator output.
  - 00 = Trigger/event/interrupt generation is disabled
- bit 5 **Unimplemented**: Read as '0'
- bit 4 **CREF**: Comparator x Reference Select bit (VIN+ input)<sup>(1)</sup>
- 1 = VIN+ input connects to the internal CVREFIN voltage
  - 0 = VIN+ input connects to the CxIN1+ pin
- bit 3-2 **Unimplemented**: Read as '0'
- bit 1-0 **CCH<1:0>**: Op Amp/Comparator x Channel Select bits<sup>(1)</sup>
- 11 = Inverting input of op amp/comparator connects to the CxIN4- pin
  - 10 = Inverting input of op amp/comparator connects to the CxIN3- pin
  - 01 = Inverting input of op amp/comparator connects to the CxIN2- pin
  - 00 = Inverting input of op amp/comparator connects to the CxIN1- pin

- Note 1:** Inputs that are selected and not available will be tied to Vss. See the “[Pin Diagrams](#)” section for available inputs for each package.
- 2:** The op amp and the comparator can be used simultaneously in these devices. The OPAEN bit only enables the op amp while the comparator is still functional.
- 3:** After configuring the comparator, either for a high-to-low or low-to-high COUT transition (EVPOL<1:0> (CMxCON<7:6>) = 10 or 01), the Comparator x Event bit, CEVT (CMxCON<9>), and the Comparator Interrupt Flag, CMPIF (IFS1<2>), must be cleared before enabling the Comparator Interrupt Enable bit, CMPIE (IEC1<2>).

# dsPIC33EVXXGM00X/10X FAMILY

## REGISTER 25-3: CM4CON: COMPARATOR 4 CONTROL REGISTER

|        |       |       |     |     |     |       |       |
|--------|-------|-------|-----|-----|-----|-------|-------|
| R/W-0  | R/W-0 | R/W-0 | U-0 | U-0 | U-0 | R/W-0 | R-0   |
| CON    | COE   | CPOL  | —   | —   | —   | CEVT  | COUT  |
| bit 15 |       |       |     |     |     |       | bit 8 |

|                       |                       |     |                     |     |     |                     |                     |
|-----------------------|-----------------------|-----|---------------------|-----|-----|---------------------|---------------------|
| R/W-0                 | R/W-0                 | U-0 | R/W-0               | U-0 | U-0 | R/W-0               | R/W-0               |
| EVPOL1 <sup>(2)</sup> | EVPOL0 <sup>(2)</sup> | —   | CREF <sup>(1)</sup> | —   | —   | CCH1 <sup>(1)</sup> | CCH0 <sup>(1)</sup> |
| bit 7                 |                       |     |                     |     |     |                     | bit 0               |

### Legend:

R = Readable bit                      W = Writable bit                      U = Unimplemented bit, read as '0'  
 -n = Value at POR                      '1' = Bit is set                      '0' = Bit is cleared                      x = Bit is unknown

- bit 15            **CON:** Op Amp/Comparator 4 Enable bit  
                   1 = Comparator is enabled  
                   0 = Comparator is disabled
- bit 14            **COE:** Comparator 4 Output Enable bit  
                   1 = Comparator output is present on the C4OUT pin  
                   0 = Comparator output is internal only
- bit 13            **CPOL:** Comparator 4 Output Polarity Select bit  
                   1 = Comparator output is inverted  
                   0 = Comparator output is not inverted
- bit 12-10        **Unimplemented:** Read as '0'
- bit 9             **CEVT:** Comparator 4 Event bit  
                   1 = Comparator event, according to EVPOL<1:0> settings, occurred; disables future triggers and interrupts until the bit is cleared  
                   0 = Comparator event did not occur
- bit 8             **COUT:** Comparator 4 Output bit  
                   When CPOL = 0 (non-inverted polarity):  
                   1 =  $V_{IN+} > V_{IN-}$   
                   0 =  $V_{IN+} < V_{IN-}$   
                   When CPOL = 1 (inverted polarity):  
                   1 =  $V_{IN+} < V_{IN-}$   
                   0 =  $V_{IN+} > V_{IN-}$

- Note 1:** Inputs that are selected and not available will be tied to Vss. See the “Pin Diagrams” section for available inputs for each package.
- 2:** After configuring the comparator, either for a high-to-low or low-to-high COUT transition (EVPOL<1:0> (CMxCON<7:6>) = 10 or 01), the comparator Event bit, CEVT (CMxCON<9>), and the Comparator Combined Interrupt Flag, CMPIF (IFS1<2>), must be cleared before enabling the Comparator Interrupt Enable bit, CMPIE (IEC1<2>).

## REGISTER 25-3: CM4CON: COMPARATOR 4 CONTROL REGISTER (CONTINUED)

- bit 7-6 **EVPOL<1:0>**: Trigger/Event/Interrupt Polarity Select bits<sup>(2)</sup>
- 11 = Trigger/event/interrupt generated on any change of the comparator output (while CEVT = 0)
  - 10 = Trigger/event/interrupt generated only on high-to-low transition of the polarity selected comparator output (while CEVT = 0)
    - If CPOL = 1 (inverted polarity):  
Low-to-high transition of the comparator output.
    - If CPOL = 0 (non-inverted polarity):  
High-to-low transition of the comparator output.
  - 01 = Trigger/event/interrupt generated only on low-to-high transition of the polarity selected comparator output (while CEVT = 0)
    - If CPOL = 1 (inverted polarity):  
High-to-low transition of the comparator output.
    - If CPOL = 0 (non-inverted polarity):  
Low-to-high transition of the comparator output.
  - 00 = Trigger/event/interrupt generation is disabled
- bit 5 **Unimplemented**: Read as '0'
- bit 4 **CREF**: Comparator 4 Reference Select bit (VIN+ input)<sup>(1)</sup>
- 1 = VIN+ input connects to the internal CVREFIN voltage
  - 0 = VIN+ input connects to the C4IN1+ pin
- bit 3-2 **Unimplemented**: Read as '0'
- bit 1-0 **CCH<1:0>**: Comparator 4 Channel Select bits<sup>(1)</sup>
- 11 = VIN- input of comparator connects to the C4IN4- pin
  - 10 = VIN- input of comparator connects to the C4IN3- pin
  - 01 = VIN- input of comparator connects to the C4IN2- pin
  - 00 = VIN- input of comparator connects to the C4IN1- pin

**Note 1:** Inputs that are selected and not available will be tied to Vss. See the “Pin Diagrams” section for available inputs for each package.

- 2:** After configuring the comparator, either for a high-to-low or low-to-high COUT transition (EVPOL<1:0> (CMxCON<7:6>) = 10 or 01), the comparator Event bit, CEVT (CMxCON<9>), and the Comparator Combined Interrupt Flag, CMPIF (IFS1<2>), must be cleared before enabling the Comparator Interrupt Enable bit, CMPIE (IEC1<2>).

# dsPIC33EVXXGM00X/10X FAMILY

## REGISTER 25-4: CMxMSKSRC: COMPARATOR x MASK SOURCE SELECT CONTROL REGISTER

|        |     |     |     |          |          |          |          |
|--------|-----|-----|-----|----------|----------|----------|----------|
| U-0    | U-0 | U-0 | U-0 | R/W-0    | R/W-0    | R/W-0    | RW-0     |
| —      | —   | —   | —   | SELSRCC3 | SELSRCC2 | SELSRCC1 | SELSRCC0 |
| bit 15 |     |     |     | bit 8    |          |          |          |

|          |          |          |          |          |          |          |          |
|----------|----------|----------|----------|----------|----------|----------|----------|
| R/W-0    | R/W-0    | R/W-0    | R/W-0    | R/W-0    | R/W-0    | R/W-0    | R/W-0    |
| SELSRCB3 | SELSRCB2 | SELSRCB1 | SELSRCB0 | SELSRCA3 | SELSRCA2 | SELSRCA1 | SELSRCA0 |
| bit 7    |          |          |          | bit 0    |          |          |          |

### Legend:

R = Readable bit                      W = Writable bit                      U = Unimplemented bit, read as '0'  
 -n = Value at POR                      '1' = Bit is set                      '0' = Bit is cleared                      x = Bit is unknown

bit 15-12                      **Unimplemented:** Read as '0'  
 bit 11-8                      **SELSRCC<3:0>:** Mask C Input Select bits

- 1111 = FLT4
- 1110 = FLT2
- 1101 = Reserved
- 1100 = Reserved
- 1011 = Reserved
- 1010 = Reserved
- 1001 = Reserved
- 1000 = Reserved
- 0111 = Reserved
- 0110 = Reserved
- 0101 = PWM3H
- 0100 = PWM3L
- 0011 = PWM2H
- 0010 = PWM2L
- 0001 = PWM1H
- 0000 = PWM1L

bit 7-4                      **SELSRCB<3:0>:** Mask B Input Select bits

- 1111 = FLT4
- 1110 = FLT2
- 1101 = Reserved
- 1100 = Reserved
- 1011 = Reserved
- 1010 = Reserved
- 1001 = Reserved
- 1000 = Reserved
- 0111 = Reserved
- 0110 = Reserved
- 0101 = PWM3H
- 0100 = PWM3L
- 0011 = PWM2H
- 0010 = PWM2L
- 0001 = PWM1H
- 0000 = PWM1L

**REGISTER 25-4: CMxMSKSRC: COMPARATOR x MASK SOURCE SELECT  
CONTROL REGISTER (CONTINUED)**

bit 3-0      **SELSRCA<3:0>**: Mask A Input Select bits

1111 = FLT4  
1110 = FLT2  
1101 = Reserved  
1100 = Reserved  
1011 = Reserved  
1010 = Reserved  
1001 = Reserved  
1000 = Reserved  
0111 = Reserved  
0110 = Reserved  
0101 = PWM3H  
0100 = PWM3L  
0011 = PWM2H  
0010 = PWM2L  
0001 = PWM1H  
0000 = PWM1L

# dsPIC33EVXXGM00X/10X FAMILY

## REGISTER 25-5: CMxMSKCON: COMPARATOR x MASK GATING CONTROL REGISTER

|        |     |       |       |       |       |       |       |
|--------|-----|-------|-------|-------|-------|-------|-------|
| R/W-0  | U-0 | R/W-0 | R/W-0 | R/W-0 | R/W-0 | R/W-0 | R/W-0 |
| HLMS   | —   | OCEN  | OCNEN | OBEN  | OBNEN | OAEN  | OANEN |
| bit 15 |     |       |       |       |       | bit 8 |       |

|       |       |       |       |       |       |       |       |
|-------|-------|-------|-------|-------|-------|-------|-------|
| R/W-0 | R/W-0 | R/W-0 | R/W-0 | R/W-0 | R/W-0 | R/W-0 | R/W-0 |
| NAGS  | PAGS  | ACEN  | ACNEN | ABEN  | ABNEN | AAEN  | AANEN |
| bit 7 |       |       |       |       |       | bit 0 |       |

### Legend:

R = Readable bit                      W = Writable bit                      U = Unimplemented bit, read as '0'  
 -n = Value at POR                      '1' = Bit is set                      '0' = Bit is cleared                      x = Bit is unknown

- bit 15            **HLMS:** High or Low-Level Masking Select bit  
                   1 = The masking (blinking) function will prevent any asserted ('0') comparator signal from propagating  
                   0 = The masking (blinking) function will prevent any asserted ('1') comparator signal from propagating
- bit 14            **Unimplemented:** Read as '0'
- bit 13            **OCEN:** OR Gate C Input Enable bit  
                   1 = MCI is connected to OR gate  
                   0 = MCI is not connected to OR gate
- bit 12            **OCNEN:** OR Gate C Input Inverted Enable bit  
                   1 = Inverted MCI is connected to OR gate  
                   0 = Inverted MCI is not connected to OR gate
- bit 11            **OBEN:** OR Gate B Input Enable bit  
                   1 = MBI is connected to OR gate  
                   0 = MBI is not connected to OR gate
- bit 10            **OBNEN:** OR Gate B Input Inverted Enable bit  
                   1 = Inverted MBI is connected to OR gate  
                   0 = Inverted MBI is not connected to OR gate
- bit 9             **OAEN:** OR Gate A Input Enable bit  
                   1 = MAI is connected to OR gate  
                   0 = MAI is not connected to OR gate
- bit 8             **OANEN:** OR Gate A Input Inverted Enable bit  
                   1 = Inverted MAI is connected to OR gate  
                   0 = Inverted MAI is not connected to OR gate
- bit 7             **NAGS:** AND Gate Output Inverted Enable bit  
                   1 = Inverted ANDI is connected to OR gate  
                   0 = Inverted ANDI is not connected to OR gate
- bit 6             **PAGS:** AND Gate Output Enable bit  
                   1 = ANDI is connected to OR gate  
                   0 = ANDI is not connected to OR gate
- bit 5             **ACEN:** AND Gate C Input Enable bit  
                   1 = MCI is connected to AND gate  
                   0 = MCI is not connected to AND gate
- bit 4             **ACNEN:** AND Gate C Input Inverted Enable bit  
                   1 = Inverted MCI is connected to AND gate  
                   0 = Inverted MCI is not connected to AND gate

**REGISTER 25-5: CMxMSKCON: COMPARATOR x MASK GATING CONTROL REGISTER (CONTINUED)**

- bit 3      **ABEN:** AND Gate B Input Enable bit  
            1 = MBI is connected to AND gate  
            0 = MBI is not connected to AND gate
- bit 2      **ABNEN:** AND Gate B Input Inverted Enable bit  
            1 = Inverted MBI is connected to AND gate  
            0 = Inverted MBI is not connected to AND gate
- bit 1      **AAEN:** AND Gate A Input Enable bit  
            1 = MAI is connected to AND gate  
            0 = MAI is not connected to AND gate
- bit 0      **AANEN:** AND Gate A Input Inverted Enable bit  
            1 = Inverted MAI is connected to AND gate  
            0 = Inverted MAI is not connected to AND gate

# dsPIC33EVXXXGM00X/10X FAMILY

## REGISTER 25-6: CM<sub>x</sub>FLTR: COMPARATOR x FILTER CONTROL REGISTER

|        |     |     |     |     |     |       |     |
|--------|-----|-----|-----|-----|-----|-------|-----|
| U-0    | U-0 | U-0 | U-0 | U-0 | U-0 | U-0   | U-0 |
| —      | —   | —   | —   | —   | —   | —     | —   |
| bit 15 |     |     |     |     |     | bit 8 |     |

|       |        |        |        |         |        |        |        |
|-------|--------|--------|--------|---------|--------|--------|--------|
| U-0   | R/W-0  | R/W-0  | R/W-0  | R/W-0   | R/W-0  | R/W-0  | R/W-0  |
| —     | CFSEL2 | CFSEL1 | CFSEL0 | CFLTREN | CFDIV2 | CFDIV1 | CFDIV0 |
| bit 7 |        |        |        |         |        | bit 0  |        |

### Legend:

R = Readable bit                      W = Writable bit                      U = Unimplemented bit, read as '0'  
 -n = Value at POR                      '1' = Bit is set                      '0' = Bit is cleared                      x = Bit is unknown

- bit 15-7            **Unimplemented:** Read as '0'
- bit 6-4            **CFSEL<2:0>:** Comparator x Filter Input Clock Select bits
  - 111 = T5CLK<sup>(1)</sup>
  - 110 = T4CLK<sup>(2)</sup>
  - 101 = T3CLK<sup>(1)</sup>
  - 100 = T2CLK<sup>(2)</sup>
  - 011 = Reserved
  - 010 = SYNCO1<sup>(3)</sup>
  - 001 = Fosc<sup>(4)</sup>
  - 000 = Fp<sup>(4)</sup>
- bit 3              **CFLTREN:** Comparator x Filter Enable bit
  - 1 = Digital filter is enabled
  - 0 = Digital filter is disabled
- bit 2-0            **CFDIV<2:0>:** Comparator x Filter Clock Divide Select bits
  - 111 = Clock divide 1:128
  - 110 = Clock divide 1:64
  - 101 = Clock divide 1:32
  - 100 = Clock divide 1:16
  - 011 = Clock divide 1:8
  - 010 = Clock divide 1:4
  - 001 = Clock divide 1:2
  - 000 = Clock divide 1:1

- Note 1:** See the Type C Timer Block Diagram (Figure 13-2).  
**Note 2:** See the Type B Timer Block Diagram (Figure 13-1).  
**Note 3:** See the High-Speed PWMx Module Register Interconnection Diagram (Figure 17-2).  
**Note 4:** See the Oscillator System Diagram (Figure 9-1).



## 26.0 COMPARATOR VOLTAGE REFERENCE

**Note 1:** This data sheet summarizes the features of the dsPIC33EVXXGM00X/10X family of devices. It is not intended to be a comprehensive reference source. To complement the information in this data sheet, refer to “**Op Amp/Comparator**” (DS70000357) in the “*dsPIC33/PIC24 Family Reference Manual*”, which is available from the Microchip web site ([www.microchip.com](http://www.microchip.com)).

**2:** Some registers and associated bits described in this section may not be available on all devices. Refer to **Section 4.0 “Memory Organization”** in this data sheet for device-specific register and bit information.

## 26.1 Configuring the Comparator Voltage Reference

The comparator voltage reference module is controlled through the CVRxCON registers ([Register 26-1](#) and [Register 26-2](#)). The comparator voltage reference provides a range of output voltages with 128 distinct levels. The comparator reference supply voltage can come from either VDD and VSS, or the external CVREF+ and AVSS pins. The voltage source is selected by the CVRSS bit (CVRxCON<11>). The settling time of the comparator voltage reference must be considered when changing the CVREF output.

# dsPIC33EVXXGM00X/10X FAMILY

FIGURE 26-1: COMPARATOR VOLTAGE REFERENCE BLOCK DIAGRAM



**Note 1:** CVREF20 and CVROE (CVR2CON<14>) is not available on the 28-pin devices.

# dsPIC33EVXXGM00X/10X FAMILY

## 26.2 Comparator Voltage Reference Registers

**REGISTER 26-1: CVR1CON: COMPARATOR VOLTAGE REFERENCE CONTROL REGISTER 1**

|        |       |       |       |       |         |       |       |
|--------|-------|-------|-------|-------|---------|-------|-------|
| R/W-0  | R/W-0 | U-0   | U-0   | R/W-0 | R/W-0   | U-0   | U-0   |
| CVREN  | CVROE | —     | —     | CVRSS | VREFSEL | —     | —     |
| bit 15 |       |       |       |       |         | bit 8 |       |
| U-0    | R/W-0 | R/W-0 | R/W-0 | R/W-0 | R/W-0   | R/W-0 | R/W-0 |
| —      | CVR6  | CVR5  | CVR4  | CVR3  | CVR2    | CVR1  | CVR0  |
| bit 7  |       |       |       |       |         | bit 0 |       |

**Legend:**

|                   |                  |                                    |
|-------------------|------------------|------------------------------------|
| R = Readable bit  | W = Writable bit | U = Unimplemented bit, read as '0' |
| -n = Value at POR | '1' = Bit is set | '0' = Bit is cleared               |
|                   |                  | x = Bit is unknown                 |

- bit 15      **CVREN:** Comparator Voltage Reference Enable bit  
 1 = Comparator voltage reference circuit is powered on  
 0 = Comparator voltage reference circuit is powered down
- bit 14      **CVROE:** Comparator Voltage Reference Output Enable (CVREF10 Pin) bit  
 1 = Voltage level is output on the CVREF10 pin  
 0 = Voltage level is disconnected from the CVREF10 pin
- bit 13-12    **Unimplemented:** Read as '0'
- bit 11      **CVRSS:** Comparator Voltage Reference Source Selection bit  
 1 = Comparator reference source, CVRSRC = CVREF+ – AVSS  
 0 = Comparator reference source, CVRSRC = AVDD – AVSS
- bit 10      **VREFSEL:** Voltage Reference Select bit  
 1 = CVREFIN = CVREF+  
 0 = CVREFIN is generated by the resistor network
- bit 9-7      **Unimplemented:** Read as '0'
- bit 6-0      **CVR<6:0>:** Comparator Voltage Reference Value Selection bits  
 1111111 = 127/128 x VREF input voltage  
 •  
 •  
 •  
 0000000 = 0.0 volts

# dsPIC33EVXXGM00X/10X FAMILY

## REGISTER 26-2: CVR2CON: COMPARATOR VOLTAGE REFERENCE CONTROL REGISTER 2

|        |                      |     |     |       |         |     |       |
|--------|----------------------|-----|-----|-------|---------|-----|-------|
| R/W-0  | R/W-0                | U-0 | U-0 | R/W-0 | R/W-0   | U-0 | U-0   |
| CVREN  | CVROE <sup>(1)</sup> | —   | —   | CVRSS | VREFSEL | —   | —     |
| bit 15 |                      |     |     |       |         |     | bit 8 |

|       |       |       |       |       |       |       |       |
|-------|-------|-------|-------|-------|-------|-------|-------|
| U-0   | R/W-0 | R/W-0 | R/W-0 | R/W-0 | R/W-0 | R/W-0 | R/W-0 |
| —     | CVR6  | CVR5  | CVR4  | CVR3  | CVR2  | CVR1  | CVR0  |
| bit 7 |       |       |       |       |       |       | bit 0 |

### Legend:

R = Readable bit                      W = Writable bit                      U = Unimplemented bit, read as '0'  
 -n = Value at POR                      '1' = Bit is set                      '0' = Bit is cleared                      x = Bit is unknown

- bit 15            **CVREN:** Comparator Voltage Reference Enable bit  
                   1 = Comparator voltage reference circuit is powered on  
                   0 = Comparator voltage reference circuit is powered down
- bit 14            **CVROE:** Comparator Voltage Reference Output Enable (CVREF2O Pin) bit<sup>(1)</sup>  
                   1 = Voltage level is output on the CVREF2O pin  
                   0 = Voltage level is disconnected from the CVREF2O pin
- bit 13-12       **Unimplemented:** Read as '0'
- bit 11            **CVRSS:** Comparator Voltage Reference Source Selection bit  
                   1 = Comparator reference source, CVRSRC = CVREF+ – AVSS  
                   0 = Comparator reference source, CVRSRC = AVDD – AVSS
- bit 10            **VREFSEL:** Voltage Reference Select bit  
                   1 = Comparator Reference Source 2 (CVR2) provides inverting input voltage when VREFSEL (CVR1CON<10>) = 0  
                   0 = Comparator Reference Source 1 (CVR1) provides inverting input voltage when VREFSEL (CVR1CON<10>) = 0
- bit 9-7          **Unimplemented:** Read as '0'
- bit 6-0          **CVR<6:0>:** Comparator Voltage Reference Value Selection bits  
                   11111111 = 127/128 x VREF input voltage  
                   •  
                   •  
                   •  
                   00000000 = 0.0 volts

**Note 1:** CVROE (CVR2CON<14>) is not available on the 28-pin devices.

## 27.0 SPECIAL FEATURES

**Note:** This data sheet summarizes the features of the dsPIC33EVXXGM00X/10X family of devices. It is not intended to be a comprehensive reference source. To complement the information in this data sheet, refer to the related section of the “dsPIC33/PIC24 Family Reference Manual”, which is available from the Microchip web site ([www.microchip.com](http://www.microchip.com)).

The dsPIC33EVXXGM00X/10X family devices include several features intended to maximize application flexibility and reliability, and minimize cost through elimination of external components. These are:

- Flexible Configuration
- Watchdog Timer (WDT)
- Code Protection and CodeGuard™ Security
- In-Circuit Serial Programming™ (ICSP™)
- In-Circuit Emulation

## 27.1 Configuration Bits

In dsPIC33EVXXGM00X/10X family devices, the Configuration bytes are implemented as volatile memory. This means that configuration data must be programmed each time the device is powered up. Configuration data is stored at the top of the on-chip program memory space, known as the Flash Configuration bytes. Their specific locations are shown in [Table 27-1](#). The configuration data is automatically loaded from the Flash Configuration bytes to the proper Configuration Shadow registers during device Resets.

**Note:** Configuration data is reloaded on all types of device Resets.

When creating applications for these devices, users should always specifically allocate the location of the Flash Configuration bytes for configuration data in their code for the compiler. This is to ensure that program code is not stored in this address when the code is compiled.

The upper 2 bytes of all Flash Configuration Words in program memory should always be ‘1111 1111 1111 1111’. This makes them appear to be NOP instructions in the remote event that their locations are ever executed by accident. Since Configuration bits are not implemented in the corresponding locations, writing ‘1’s to these locations has no effect on device operation.

**Note:** Performing a page erase operation on the last page of program memory clears the Flash Configuration bytes, enabling code protection as a result. Therefore, users should avoid performing page erase operations on the last page of program memory.

The Configuration Flash bytes map is shown in [Table 27-1](#).

TABLE 27-1: CONFIGURATION WORD REGISTER MAP

| File Name | Address | Device Memory Size (Kbytes) | Bits 23-16 | Bit 15                  | Bit 14 | Bit 13 | Bit 12      | Bit 11 | Bit 10 | Bit 9 | Bit 8  | Bit 7                   | Bit 6  | Bit 5   | Bit 4 | Bit 3 | Bit 2    | Bit 1   | Bit 0   |      |
|-----------|---------|-----------------------------|------------|-------------------------|--------|--------|-------------|--------|--------|-------|--------|-------------------------|--------|---------|-------|-------|----------|---------|---------|------|
| FSEC      | 005780  | 32                          | —          | AIVTDIS                 | —      | —      | —           | CSS2   | CSS1   | CSS0  | CWRP   | GSS1                    | GSS0   | GWRP    | —     | BSEN  | BSS1     | BSS0    | BWRP    |      |
|           | 00AB80  | 64                          |            |                         |        |        |             |        |        |       |        |                         |        |         |       |       |          |         |         |      |
|           | 015780  | 128                         |            |                         |        |        |             |        |        |       |        |                         |        |         |       |       |          |         |         |      |
|           | 02AB80  | 256                         |            |                         |        |        |             |        |        |       |        |                         |        |         |       |       |          |         |         |      |
| FBSLIM    | 005790  | 32                          | —          | —                       | —      | —      | BSLIM<12:0> |        |        |       |        |                         |        |         |       |       |          |         |         |      |
|           | 00AB90  | 64                          |            |                         |        |        |             |        |        |       |        |                         |        |         |       |       |          |         |         |      |
|           | 015790  | 128                         |            |                         |        |        |             |        |        |       |        |                         |        |         |       |       |          |         |         |      |
|           | 02AB90  | 256                         |            |                         |        |        |             |        |        |       |        |                         |        |         |       |       |          |         |         |      |
| Reserved  | 005794  | 32                          | —          | Reserved <sup>(1)</sup> | —      | —      | —           | —      | —      | —     | —      | —                       | —      | —       | —     | —     | —        | —       | —       |      |
|           | 00AB94  | 64                          |            |                         |        |        |             |        |        |       |        |                         |        |         |       |       |          |         |         |      |
|           | 015794  | 128                         |            |                         |        |        |             |        |        |       |        |                         |        |         |       |       |          |         |         |      |
|           | 02AB94  | 256                         |            |                         |        |        |             |        |        |       |        |                         |        |         |       |       |          |         |         |      |
| FOSCSEL   | 005798  | 32                          | —          | —                       | —      | —      | —           | —      | —      | —     | —      | —                       | —      | —       | —     | —     | —        | —       | —       |      |
|           | 00AB98  | 64                          |            |                         |        |        |             |        |        |       |        |                         |        |         |       |       |          |         |         |      |
|           | 015798  | 128                         |            |                         |        |        |             |        |        |       |        |                         |        |         |       |       |          |         |         |      |
|           | 02AB98  | 256                         |            |                         |        |        |             |        |        |       |        |                         |        |         |       |       |          |         |         |      |
| FOSC      | 00579C  | 32                          | —          | —                       | —      | —      | —           | —      | —      | —     | PLLKEN | FCKSM1                  | FCKSM0 | IOL1WAY | —     | —     | OSCIOFNC | POSCMD1 | POSCMD0 |      |
|           | 00AB9C  | 64                          |            |                         |        |        |             |        |        |       |        |                         |        |         |       |       |          |         |         |      |
|           | 01579C  | 128                         |            |                         |        |        |             |        |        |       |        |                         |        |         |       |       |          |         |         |      |
|           | 02AB9C  | 256                         |            |                         |        |        |             |        |        |       |        |                         |        |         |       |       |          |         |         |      |
| FWDT      | 0057A0  | 32                          | —          | —                       | —      | —      | —           | —      | —      | —     | —      | —                       | —      | —       | —     | —     | —        | —       | —       |      |
|           | 00ABA0  | 64                          |            |                         |        |        |             |        |        |       |        |                         |        |         |       |       |          |         |         |      |
|           | 0157A0  | 128                         |            |                         |        |        |             |        |        |       |        |                         |        |         |       |       |          |         |         |      |
|           | 02ABA0  | 256                         |            |                         |        |        |             |        |        |       |        |                         |        |         |       |       |          |         |         |      |
| FPOR      | 0057A4  | 32                          | —          | —                       | —      | —      | —           | —      | —      | —     | —      | —                       | —      | —       | —     | —     | —        | —       | —       |      |
|           | 00ABA4  | 64                          |            |                         |        |        |             |        |        |       |        |                         |        |         |       |       |          |         |         |      |
|           | 0157A4  | 128                         |            |                         |        |        |             |        |        |       |        |                         |        |         |       |       |          |         |         |      |
|           | 02ABA4  | 256                         |            |                         |        |        |             |        |        |       |        |                         |        |         |       |       |          |         |         |      |
| FICD      | 0057A8  | 32                          | —          | —                       | —      | —      | —           | —      | —      | —     | —      | Reserved <sup>(2)</sup> | —      | —       | —     | —     | —        | —       | ICS1    | ICS0 |
|           | 00ABA8  | 64                          |            |                         |        |        |             |        |        |       |        |                         |        |         |       |       |          |         |         |      |
|           | 0157A8  | 128                         |            |                         |        |        |             |        |        |       |        |                         |        |         |       |       |          |         |         |      |
|           | 02ABA8  | 256                         |            |                         |        |        |             |        |        |       |        |                         |        |         |       |       |          |         |         |      |

**Legend:** — = unimplemented, read as '1'.

**Note 1:** This bit is reserved and must be programmed as '0'.

**2:** This bit is reserved and must be programmed as '1'.

TABLE 27-1: CONFIGURATION WORD REGISTER MAP (CONTINUED)

| File Name | Address | Device Memory Size (Kbytes) | Bits 23-16 | Bit 15        | Bit 14 | Bit 13 | Bit 12 | Bit 11 | Bit 10 | Bit 9 | Bit 8 | Bit 7      | Bit 6 | Bit 5 | Bit 4 | Bit 3      | Bit 2 | Bit 1 | Bit 0   |
|-----------|---------|-----------------------------|------------|---------------|--------|--------|--------|--------|--------|-------|-------|------------|-------|-------|-------|------------|-------|-------|---------|
| FDMTINTVL | 0057AC  | 32                          | —          | DMTIVT<15:0>  |        |        |        |        |        |       |       |            |       |       |       |            |       |       |         |
|           | 00ABAC  | 64                          |            |               |        |        |        |        |        |       |       |            |       |       |       |            |       |       |         |
|           | 0157AC  | 128                         |            |               |        |        |        |        |        |       |       |            |       |       |       |            |       |       |         |
|           | 02ABAC  | 256                         |            |               |        |        |        |        |        |       |       |            |       |       |       |            |       |       |         |
| FDMTINTVH | 0057B0  | 32                          | —          | DMTIVT<31:16> |        |        |        |        |        |       |       |            |       |       |       |            |       |       |         |
|           | 00ABB0  | 64                          |            |               |        |        |        |        |        |       |       |            |       |       |       |            |       |       |         |
|           | 0157B0  | 128                         |            |               |        |        |        |        |        |       |       |            |       |       |       |            |       |       |         |
|           | 02ABB0  | 256                         |            |               |        |        |        |        |        |       |       |            |       |       |       |            |       |       |         |
| FDMTCNTL  | 0057B4  | 32                          | —          | DMTCNT<15:0>  |        |        |        |        |        |       |       |            |       |       |       |            |       |       |         |
|           | 00ABB4  | 64                          |            |               |        |        |        |        |        |       |       |            |       |       |       |            |       |       |         |
|           | 0157B4  | 128                         |            |               |        |        |        |        |        |       |       |            |       |       |       |            |       |       |         |
|           | 02ABB4  | 256                         |            |               |        |        |        |        |        |       |       |            |       |       |       |            |       |       |         |
| FDMTCNTH  | 0057B8  | 32                          | —          | DMTCNT<31:16> |        |        |        |        |        |       |       |            |       |       |       |            |       |       |         |
|           | 00AB8   | 64                          |            |               |        |        |        |        |        |       |       |            |       |       |       |            |       |       |         |
|           | 0157B8  | 128                         |            |               |        |        |        |        |        |       |       |            |       |       |       |            |       |       |         |
|           | 02ABB8  | 256                         |            |               |        |        |        |        |        |       |       |            |       |       |       |            |       |       |         |
| FDMT      | 0057BC  | 32                          | —          | —             | —      | —      | —      | —      | —      | —     | —     | —          | —     | —     | —     | —          | —     | —     | DMTEN   |
|           | 00ABBC  | 64                          |            |               |        |        |        |        |        |       |       |            |       |       |       |            |       |       |         |
|           | 0157BC  | 128                         |            |               |        |        |        |        |        |       |       |            |       |       |       |            |       |       |         |
|           | 02ABBC  | 256                         |            |               |        |        |        |        |        |       |       |            |       |       |       |            |       |       |         |
| FDEVOPT   | 0057C0  | 32                          | —          | —             | —      | —      | —      | —      | —      | —     | —     | —          | —     | —     | —     | —          | —     | —     | PWMLOCK |
|           | 00ABC0  | 64                          |            |               |        |        |        |        |        |       |       |            |       |       |       |            |       |       |         |
|           | 0157C0  | 128                         |            |               |        |        |        |        |        |       |       |            |       |       |       |            |       |       |         |
|           | 02ABC0  | 256                         |            |               |        |        |        |        |        |       |       |            |       |       |       |            |       |       |         |
| FALTREG   | 0057C4  | 32                          | —          | —             | —      | —      | —      | —      | —      | —     | —     | CTXT2<2:0> |       |       | —     | CTXT1<2:0> |       |       |         |
|           | 00ABC4  | 64                          |            |               |        |        |        |        |        |       |       |            |       |       |       |            |       |       |         |
|           | 0157C4  | 128                         |            |               |        |        |        |        |        |       |       |            |       |       |       |            |       |       |         |
|           | 02ABC4  | 256                         |            |               |        |        |        |        |        |       |       |            |       |       |       |            |       |       |         |

**Legend:** — = unimplemented, read as '1'.

**Note 1:** This bit is reserved and must be programmed as '0'.

**2:** This bit is reserved and must be programmed as '1'.

# dsPIC33EVXXGM00X/10X FAMILY

**TABLE 27-2: dsPIC33EVXXGM00X/10X CONFIGURATION BITS DESCRIPTION**

| Bit Field   | Register | Description  |
|-------------|----------|--|
| BWRP        | FSEC     | Boot Segment Write-Protect bit<br>1 = User program memory is not write-protected<br>0 = User program memory is write-protected   |
| BSS<1:0>    | FSEC     | Boot Segment Code Flash Protection Level bits<br>11 = No protection (other than BWRP write protection)<br>10 = Standard security<br>0x = High security   |
| BSEN        | FSEC     | Boot Segment Control bit<br>1 = No Boot Segment<br>0 = Boot Segment size is determined by BSLIM<12:0>  |
| GWRP        | FSEC     | General Segment Write-Protect bit<br>1 = User program memory is not write-protected<br>0 = User program memory is write-protected  |
| GSS<1:0>    | FSEC     | General Segment Code Flash Protection Level bits<br>11 = No protection (other than GWRP write protection)<br>10 = Standard security<br>0x = High security  |
| CWRP        | FSEC     | Configuration Segment Write-Protect bit<br>1 = Configuration Segment is not write-protected<br>0 = Configuration Segment is write-protected  |
| CSS<2:0>    | FSEC     | Configuration Segment Code Flash Protection Level bits<br>111 = No protection (other than CWRP write protection)<br>110 = Standard security<br>10x = Enhanced security<br>0xx = High security  |
| AIVTDIS     | FSEC     | Alternate Interrupt Vector Table Disable bit<br>1 = Disables AIVT<br>0 = Enables AIVT  |
| BSLIM<12:0> | FBSLIM   | Boot Segment Code Flash Page Address Limit bits<br>Contains the page address of the first active General Segment page. The value to be programmed is the inverted page address, such that programming additional '0's can only increase the Boot Segment size. For example, 0x1FFD = 2 pages or 1024 instruction words.  |
| FNOSC<2:0>  | FOSCSEL  | Initial Oscillator Source Selection bits<br>111 = Internal Fast RC (FRC) Oscillator with Postscaler<br>110 = Internal Fast RC (FRC) Oscillator with Divide-by-16<br>101 = LPRC Oscillator<br>100 = Reserved<br>011 = Primary (XT, HS, EC) Oscillator with PLL<br>010 = Primary (XT, HS, EC) Oscillator<br>001 = Internal Fast RC (FRC) Oscillator with PLL<br>000 = FRC Oscillator |
| IESO        | FOSCSEL  | Two-Speed Oscillator Start-up Enable bit<br>1 = Starts up device with FRC, then automatically switches to the user-selected oscillator source when ready<br>0 = Starts up device with user-selected oscillator source  |
| POSCMD<1:0> | FOSC     | Primary Oscillator Mode Select bits<br>11 = Primary Oscillator is disabled<br>10 = HS Crystal Oscillator mode<br>01 = XT Crystal Oscillator mode<br>00 = EC (External Clock) mode  |



# dsPIC33EVXXGM00X/10X FAMILY

**TABLE 27-2: dsPIC33EVXXGM00X/10X CONFIGURATION BITS DESCRIPTION (CONTINUED)**

| Bit Field     | Register  | Description   |
|---------------|-----------|---|
| OSCIOFNC      | FOSC      | OSC2 Pin Function bit (except in XT and HS modes)<br>1 = OSC2 is the clock output<br>0 = OSC2 is the general purpose digital I/O pin  |
| IOL1WAY       | FOSC      | Peripheral Pin Select Configuration bit<br>1 = Allows only one reconfiguration<br>0 = Allows multiple reconfigurations  |
| FCKSM<1:0>    | FOSC      | Clock Switching Mode bits<br>1x = Clock switching is disabled, Fail-Safe Clock Monitor is disabled<br>01 = Clock switching is enabled, Fail-Safe Clock Monitor is disabled<br>00 = Clock switching is enabled, Fail-Safe Clock Monitor is enabled               |
| PLLKEN        | FOSC      | PLL Lock Wait Enable bit<br>1 = Clock switches to the PLL source; will wait until the PLL lock signal is valid<br>0 = Clock switch will not wait for PLL lock   |
| WDTPS<3:0>    | FWDT      | Watchdog Timer Postscaler bits<br>1111 = 1:32,768<br>1110 = 1:16,384<br>•<br>•<br>•<br>0001 = 1:2<br>0000 = 1:1   |
| WDTPRE        | FWDT      | Watchdog Timer Prescaler bit<br>1 = 1:128<br>0 = 1:32   |
| FWDTEN<1:0>   | FWDT      | Watchdog Timer Enable bits<br>11 = WDT is enabled in hardware<br>10 = WDT is controlled through the SWDTEN bit<br>01 = WDT is enabled only while device is active and disabled in Sleep; the SWDTEN bit is disabled<br>00 = WDT and the SWDTEN bit are disabled |
| WINDIS        | FWDT      | Watchdog Timer Window Enable bit<br>1 = Watchdog Timer is in Non-Window mode<br>0 = Watchdog Timer is in Window mode  |
| WDTWIN<1:0>   | FWDT      | Watchdog Timer Window Select bits<br>11 = WDT window is 25% of WDT period<br>10 = WDT window is 37.5% of WDT period<br>01 = WDT window is 50% of WDT period<br>00 = WDT window is 75% of WDT period   |
| BOREN         | FPOR      | Brown-out Reset (BOR) Detection Enable bit<br>1 = BOR is enabled<br>0 = BOR is disabled   |
| ICS<1:0>      | FICD      | ICD Communication Channel Select bits<br>11 = Communicates on PGEC1 and PGED1<br>10 = Communicates on PGEC2 and PGED2<br>01 = Communicates on PGEC3 and PGED3<br>00 = Reserved, do not use  |
| DMTIVT<15:0>  | FDMTINTVL | Lower 16 Bits of 32-Bit Field that Configures the DMT Window Interval bits  |
| DMTIVT<31:16> | FDMTINTVH | Upper 16 Bits of 32-Bit Field that Configures the DMT Window Interval bits  |
| DMTCNT<15:0>  | FDMTCNTL  | Lower 16 Bits of 32-Bit Field that Configures the DMT Instruction Count Time-out Value bits   |

# dsPIC33EVXXGM00X/10X FAMILY

**TABLE 27-2: dsPIC33EVXXGM00X/10X CONFIGURATION BITS DESCRIPTION (CONTINUED)**

| Bit Field     | Register | Description   |
|---------------|----------|---|
| DMTCNT<31:16> | FDMCNTH  | Upper 16 Bits of 32-Bit Field that Configures the DMT Instruction Count Time-out Value bits   |
| DMTEN         | FDMT     | Deadman Timer Enable bit<br>1 = Deadman Timer is enabled and cannot be disabled by software<br>0 = Deadman Timer is disabled and can be enabled by software   |
| PWMLOCK       | FDEVOPT  | PWM Lock Enable bit<br>1 = Certain PWM registers may only be written after a key sequence<br>0 = PWM registers may be written without a key sequence  |
| ALTI2C1       | FDEVOPT  | Alternate I <sup>2</sup> C Pins for I2C1 bit<br>1 = I2C1 is mapped to the SDA1/SCL1 pins<br>0 = I2C1 is mapped to the ASDA1/ASCL1 pins  |
| CTXT1<2:0>    | FALTREG  | Specifies the Alternate Working Register Set 1 Association with Interrupt Priority Level (IPL) bits<br>111 = Not assigned<br>110 = Alternate Register Set 1 is assigned to IPL Level 6<br>101 = Alternate Register Set 1 is assigned to IPL Level 5<br>100 = Alternate Register Set 1 is assigned to IPL Level 4<br>011 = Alternate Register Set 1 is assigned to IPL Level 3<br>010 = Alternate Register Set 1 is assigned to IPL Level 2<br>001 = Alternate Register Set 1 is assigned to IPL Level 1<br>000 = Not assigned |
| CTXT2<2:0>    | FALTREG  | Specifies the Alternate Working Register Set 2 Association with Interrupt Priority Level (IPL) bits<br>111 = Not assigned<br>110 = Alternate Register Set 2 is assigned to IPL Level 6<br>101 = Alternate Register Set 2 is assigned to IPL Level 5<br>100 = Alternate Register Set 2 is assigned to IPL Level 4<br>011 = Alternate Register Set 2 is assigned to IPL Level 3<br>010 = Alternate Register Set 2 is assigned to IPL Level 2<br>001 = Alternate Register Set 2 is assigned to IPL Level 1<br>000 = Not assigned |



# dsPIC33EVXXXGM00X/10X FAMILY

## 27.2 User OTP Memory

Locations, 800F80h-800FFEh, are a One-Time-Programmable (OTP) memory area. The user OTP words can be used for storing product information, such as serial numbers, system manufacturing dates, manufacturing lot numbers and other application-specific information.

## 27.3 On-Chip Voltage Regulator

All of the dsPIC33EVXXXGM00X/10X family devices power their core digital logic at a nominal 1.8V. This can create a conflict for designs that are required to operate at a higher typical voltage, such as 5.0V. To simplify system design, all devices in the dsPIC33EVXXXGM00X/10X family incorporate an on-chip regulator that allows the device to run its core logic from VDD.

The regulator provides power to the core from the other VDD pins. A low-ESR (less than 1 Ohm) capacitor (such as tantalum or ceramic) must be connected to the VCAP pin (see Figure 27-1). This helps to maintain the stability of the regulator. The recommended value for the filter capacitor is provided in Table 30-5, located in Section 30.0 “Electrical Characteristics”.

**Note:** It is important for the low-ESR capacitor to be placed as close as possible to the VCAP pin.

**FIGURE 27-1: CONNECTIONS FOR THE ON-CHIP VOLTAGE REGULATOR<sup>(1,2,3)</sup>**



## 27.4 Brown-out Reset (BOR)

The Brown-out Reset (BOR) module is based on an internal voltage reference circuit that monitors the regulated supply voltage, VCAP. The main purpose of the BOR module is to generate a device Reset when a brown-out condition occurs. Brown-out conditions are generally caused by glitches on the AC mains (for example, missing portions of the AC cycle waveform due to bad power transmission lines or voltage sags due to excessive current draw when a large inductive load is turned on).

A BOR generates a Reset pulse, which resets the device. The BOR selects the clock source based on the device Configuration bit values (FNOSC<2:0> and POSCMD<1:0>).

If an oscillator mode is selected, the BOR activates the Oscillator Start-up Timer (OST). The system clock is held until OST expires. If the PLL is used, the clock is held until the LOCK bit (OSCCON<5>) is ‘1’.

Concurrently, the Power-up Timer (PWRT) Time-out (TPWRT) is applied before the internal Reset is released. If TPWRT = 0 and a crystal oscillator is being used, then a nominal delay of TFSCM is applied. The total delay in this case is TFSCM. Refer to Parameter SY35 in Table 30-22 of Section 30.0 “Electrical Characteristics” for specific TFSCM values.

The BOR status bit (RCON<1>) is set to indicate that a BOR has occurred. The BOR circuit continues to operate while in Sleep or Idle mode and resets the device should VDD fall below the BOR threshold voltage.

## 27.5 Watchdog Timer (WDT)

For dsPIC33EVXXGM00X/10X family devices, the WDT is driven by the LPRC oscillator. When the WDT is enabled, the clock source is also enabled.

### 27.5.1 PRESCALER/POSTSCALER

The nominal WDT clock source from LPRC is 32 kHz. This feeds a prescaler that can be configured for either 5-bit (divide-by-32) or 7-bit (divide-by-128) operation. The prescaler is set by the WDTPRE Configuration bit. With a 32 kHz input, the prescaler yields a WDT Time-out Period (TWDT), as shown in Parameter SY12 in Table 30-22.

A variable postscaler divides down the WDT prescaler output and allows for a wide range of time-out periods. The postscaler is controlled by the WDTPOST<3:0> Configuration bits (FWDT<3:0>), which allow the selection of 16 settings, from 1:1 to 1:32,768. Using the prescaler and postscaler, time-out periods ranging from 1 ms to 131 seconds can be achieved.

The WDT, prescaler and postscaler are reset:

- On any device Reset
- On the completion of a clock switch, whether invoked by software (i.e., setting the OSWEN bit after changing the NOSCx bits) or by hardware (i.e., Fail-Safe Clock Monitor)
- When a PWRSAV instruction is executed (i.e., Sleep or Idle mode is entered)
- When the device exits Sleep or Idle mode to resume normal operation
- By a CLRWDT instruction during normal execution

**Note:** The CLRWDT and PWRSAV instructions clear the prescaler and postscaler counts when executed.

### 27.5.2 SLEEP AND IDLE MODES

If the WDT is enabled, it continues to run during Sleep or Idle modes. When the WDT time-out occurs, the device wakes the device and code execution continues from where the PWRSAV instruction was executed. The corresponding SLEEP or IDLE bit (RCON<3:2>) needs to be cleared in software after the device wakes up.

### 27.5.3 ENABLING WDT

The WDT is enabled or disabled by the FWDTEN<1:0> Configuration bits in the FWDT Configuration register. When the FWDTEN<1:0> Configuration bits are set, the WDT is always enabled.

The WDT can be optionally controlled in software when the FWDTENx Configuration bits have been programmed to '00'. The WDT is enabled in software by setting the SWDTEN control bit (RCON<5>). The SWDTEN control bit is cleared on any device Reset. The software WDT option allows the user application to enable the WDT for critical code segments and disable the WDT during non-critical segments for maximum power savings.

The WDT flag bit, WDTO (RCON<4>), is not automatically cleared following a WDT time-out. To detect subsequent WDT events, the flag must be cleared in software.

### 27.5.4 WDT WINDOW

The Watchdog Timer has an optional Windowed mode enabled by programming the WINDIS bit in the WDT Configuration register (FWDT<7>). In the Windowed mode (WINDIS = 0), the WDT should be cleared based on the settings in the programmable Watchdog Timer Window (WDTWIN<1:0>) select bits.

**FIGURE 27-2: WDT BLOCK DIAGRAM**



# dsPIC33EVXXXGM00X/10X FAMILY

---

## 27.6 In-Circuit Serial Programming

The dsPIC33EVXXXGM00X/10X family devices can be serially programmed while in the end application circuit. This is done with two lines for clock and data, and three other lines for power, ground and the programming sequence. Serial programming allows customers to manufacture boards with unprogrammed devices and then program the device just before shipping the product. Serial programming also allows the most recent firmware or a custom firmware to be programmed. Refer to “*dsPIC33EVXXXGM00X/10X Families Flash Programming Specification*” (DS70005137) for details about In-Circuit Serial Programming™ (ICSP™).

Any of the following three pairs of programming clock/data pins can be used:

- PGEC1 and PGED1
- PGEC2 and PGED2
- PGEC3 and PGED3

## 27.7 In-Circuit Debugger

When MPLAB® ICD 3 or REAL ICE™ is selected as a debugger, the in-circuit debugging functionality is enabled. This function allows simple debugging functions when used with MPLAB X IDE. Debugging functionality is controlled through the PGECx (Emulation/Debug Clock) and PGEDx (Emulation/Debug Data) pin functions.

Any of the following three pairs of debugging clock/data pins can be used:

- PGEC1 and PGED1
- PGEC2 and PGED2
- PGEC3 and PGED3

To use the in-circuit debugger function of the device, the design must implement ICSP connections to MCLR, VDD, VSS and the PGECx/PGEDx pin pair. In addition, when the feature is enabled, some of the resources are not available for general use. These resources include the first 80 bytes of data RAM and two I/O pins (PGECx and PGEDx).

## 27.8 Code Protection and CodeGuard™ Security

The dsPIC33EVXXXGM00X/10X family devices offer Intermediate CodeGuard Security that supports General Segment (GS) security, Boot Segment (BS) security and Configuration Segment (CS) security. This feature helps protect individual Intellectual Properties.

**Note:** Refer to “**CodeGuard™ Intermediate Security**” (DS70005182) in the “*dsPIC33/PIC24 Family Reference Manual*” for further information on usage, configuration and operation of CodeGuard Security.

## 28.0 INSTRUCTION SET SUMMARY

**Note:** This data sheet summarizes the features of the dsPIC33EVXXGM00X/10X family of devices. It is not intended to be a comprehensive reference source. To complement the information in this data sheet, refer to the related section of the “dsPIC33/PIC24 Family Reference Manual”, which is available from the Microchip web site ([www.microchip.com](http://www.microchip.com)).

The dsPIC33EV instruction set is almost identical to that of the dsPIC30F and dsPIC33F.

Most instructions are a single program memory word (24 bits). Only three instructions require two program memory locations.

Each single-word instruction is a 24-bit word, divided into an 8-bit opcode, which specifies the instruction type and one or more operands, which further specify the operation of the instruction.

The instruction set is highly orthogonal and is grouped into following five basic categories:

- Word or byte-oriented operations
- Bit-oriented operations
- Literal operations
- DSP operations
- Control operations

Table 28-1 lists the general symbols used in describing the instructions.

The dsPIC33E instruction set summary in Table 28-2 lists all the instructions, along with the Status Flags affected by each instruction.

Most word or byte-oriented W register instructions (including barrel shift instructions) have the following three operands:

- The first source operand, which is typically a register ‘Wb’ without any address modifier
- The second source operand, which is typically a register ‘Ws’ with or without an address modifier
- The destination of the result, which is typically a register ‘Wd’ with or without an address modifier

However, word or byte-oriented file register instructions have two operands:

- The file register specified by the value ‘f’
- The destination, which could be either the file register ‘f’ or the W0 register, which is denoted as ‘WREG’

Most bit-oriented instructions (including simple rotate/shift instructions) have two operands:

- The W register (with or without an address modifier) or file register (specified by the value of ‘Ws’ or ‘f’)
- The bit in the W register or file register (specified by a literal value or indirectly by the contents of register ‘Wb’)

The literal instructions that involve data movement can use some of the following operands:

- A literal value to be loaded into a W register or file register (specified by ‘k’)
- The W register or file register where the literal value is to be loaded (specified by ‘Wb’ or ‘f’)

However, literal instructions that involve arithmetic or logical operations use some of the following operands:

- The first source operand, which is a register ‘Wb’ without any address modifier
- The second source operand, which is a literal value
- The destination of the result (only if not the same as the first source operand), which is typically a register ‘Wd’ with or without an address modifier

The MAC class of DSP instructions can use some of the following operands:

- The accumulator (A or B) to be used (required operand)
- The W registers to be used as the two operands
- The X and Y address space prefetch operations
- The X and Y address space prefetch destinations
- The accumulator write-back destination

The other DSP instructions do not involve any multiplication and can include:

- The accumulator to be used (required)
- The source or destination operand (designated as Wso or Wdo, respectively) with or without an address modifier
- The amount of shift specified by a W register ‘Wn’ or a literal value

The control instructions can use some of the following operands:

- A program memory address
- The mode of the Table Read and Table Write instructions

# dsPIC33EVXXGM00X/10X FAMILY

Most instructions are a single word. Certain double-word instructions are designed to provide all the required information in these 48 bits. In the second word, the 8 MSBs are '0's. If this second word is executed as an instruction (by itself), it executes as a NOP.

The double-word instructions execute in two instruction cycles.

Most single-word instructions are executed in a single instruction cycle, unless a conditional test is true, or the Program Counter is changed as a result of the instruction, or a PSV or Table Read is performed. In

these cases, the execution takes multiple instruction cycles with the additional instruction cycle(s) executed as a NOP. Certain instructions that involve skipping over the subsequent instruction require either two or three cycles if the skip is performed, depending on whether the instruction being skipped is a single-word or two-word instruction. Moreover, double-word moves require two cycles.

**Note:** For more details on the instruction set, refer to the "16-bit MCU and DSC Programmer's Reference Manual" (DS70157).

**TABLE 28-1: SYMBOLS USED IN OPCODE DESCRIPTIONS**

| Field           | Description   |
|-----------------|---|
| #text           | Means literal defined by "text"   |
| (text)          | Means "content of text"   |
| [text]          | Means "the location addressed by text"  |
| { }             | Optional field or operation   |
| a ∈ {b, c, d}   | a is selected from the set of values b, c, d  |
| <n:m>           | Register bit field  |
| .b              | Byte mode selection   |
| .d              | Double-Word mode selection  |
| .S              | Shadow register select  |
| .w              | Word mode selection (default)   |
| Acc             | One of two accumulators {A, B}  |
| AWB             | Accumulator Write-Back Destination Address register ∈ {W13, [W13]+ = 2}               |
| bit4            | 4-bit bit selection field (used in word-addressed instructions) ∈ {0...15}            |
| C, DC, N, OV, Z | MCU Status bits: Carry, Digit Carry, Negative, Overflow, Sticky Zero                  |
| Expr            | Absolute address, label or expression (resolved by the linker)                        |
| f               | File register address ∈ {0x0000...0x1FFF}   |
| lit1            | 1-bit unsigned literal ∈ {0,1}  |
| lit4            | 4-bit unsigned literal ∈ {0...15}   |
| lit5            | 5-bit unsigned literal ∈ {0...31}   |
| lit8            | 8-bit unsigned literal ∈ {0...255}  |
| lit10           | 10-bit unsigned literal ∈ {0...255} for Byte mode, {0:1023} for Word mode             |
| lit14           | 14-bit unsigned literal ∈ {0...16384}   |
| lit16           | 16-bit unsigned literal ∈ {0...65535}   |
| lit23           | 23-bit unsigned literal ∈ {0...8388608}; LSb must be '0'                              |
| None            | Field does not require an entry, can be blank   |
| OA, OB, SA, SB  | DSP Status bits: ACCA Overflow, ACCB Overflow, ACCA Saturate, ACCB Saturate           |
| PC              | Program Counter   |
| Slit10          | 10-bit signed literal ∈ {-512...511}  |
| Slit16          | 16-bit signed literal ∈ {-32768...32767}  |
| Slit6           | 6-bit signed literal ∈ {-16...16}   |
| Wb              | Base W register ∈ {W0...W15}  |
| Wd              | Destination W register ∈ { Wd, [Wd], [Wd++], [Wd--], [++Wd], [--Wd] }                 |
| Wdo             | Destination W register ∈ { Wnd, [Wnd], [Wnd++], [Wnd--], [++Wnd], [--Wnd], [Wnd+Wb] } |
| Wm,Wn           | Dividend, Divisor Working register pair (Direct Addressing)                           |



# dsPIC33EVXXGM00X/10X FAMILY

**TABLE 28-1: SYMBOLS USED IN OPCODE DESCRIPTIONS (CONTINUED)**

| Field | Description   |
|-------|---|
| Wm*Wm | Multiplicand and Multiplier Working register pair for Square instructions $\in \{W4 * W4, W5 * W5, W6 * W6, W7 * W7\}$  |
| Wm*Wn | Multiplicand and Multiplier Working register pair for DSP instructions $\in \{W4 * W5, W4 * W6, W4 * W7, W5 * W6, W5 * W7, W6 * W7\}$   |
| Wn    | One of 16 Working registers $\in \{W0...W15\}$  |
| Wnd   | One of 16 Destination Working registers $\in \{W0...W15\}$  |
| Wns   | One of 16 Source Working registers $\in \{W0...W15\}$   |
| WREG  | W0 (Working register used in file register instructions)  |
| Ws    | Source W register $\in \{Ws, [Ws], [Ws++] , [Ws--], [++Ws], [--Ws] \}$  |
| Wso   | Source W register $\in \{Wns, [Wns], [Wns++] , [Wns--], [++Wns], [--Wns], [Wns+Wb] \}$  |
| Wx    | X Data Space Prefetch Address register for DSP instructions<br>$\in \{[W8] + = 6, [W8] + = 4, [W8] + = 2, [W8], [W8] - = 6, [W8] - = 4, [W8] - = 2, [W9] + = 6, [W9] + = 4, [W9] + = 2, [W9], [W9] - = 6, [W9] - = 4, [W9] - = 2, [W9 + W12], \text{none}\}$                |
| Wxd   | X Data Space Prefetch Destination register for DSP instructions $\in \{W4...W7\}$   |
| Wy    | Y Data Space Prefetch Address register for DSP instructions<br>$\in \{[W10] + = 6, [W10] + = 4, [W10] + = 2, [W10], [W10] - = 6, [W10] - = 4, [W10] - = 2, [W11] + = 6, [W11] + = 4, [W11] + = 2, [W11], [W11] - = 6, [W11] - = 4, [W11] - = 2, [W11 + W12], \text{none}\}$ |
| Wyd   | Y Data Space Prefetch Destination register for DSP instructions $\in \{W4...W7\}$   |

# dsPIC33EVXXGM00X/10X FAMILY

**TABLE 28-2: INSTRUCTION SET OVERVIEW**

| Base Instr #       | Assembly Mnemonic | Assembly Syntax             | Description  | # of Words | # of Cycles | Status Flags Affected |
|--------------------|-------------------|-----------------------------|--|------------|-------------|-----------------------|
| 1                  | ADD               | ADD <i>Acc</i>              | Add Accumulators   | 1          | 1           | OA,OB,SA,SB           |
|                    |                   | ADD <i>f</i>                | $f = f + WREG$   | 1          | 1           | C,DC,N,OV,Z           |
|                    |                   | ADD <i>f, WREG</i>          | $WREG = f + WREG$  | 1          | 1           | C,DC,N,OV,Z           |
|                    |                   | ADD <i>#lit10, Wn</i>       | $Wd = lit10 + Wd$  | 1          | 1           | C,DC,N,OV,Z           |
|                    |                   | ADD <i>Wb, Ws, Wd</i>       | $Wd = Wb + Ws$   | 1          | 1           | C,DC,N,OV,Z           |
|                    |                   | ADD <i>Wb, #lit5, Wd</i>    | $Wd = Wb + lit5$   | 1          | 1           | C,DC,N,OV,Z           |
|                    |                   | ADD <i>Wso, #Slit4, Acc</i> | 16-bit Signed Add to Accumulator                           | 1          | 1           | OA,OB,SA,SB           |
| 2                  | ADDC              | ADDC <i>f</i>               | $f = f + WREG + (C)$                                       | 1          | 1           | C,DC,N,OV,Z           |
|                    |                   | ADDC <i>f, WREG</i>         | $WREG = f + WREG + (C)$                                    | 1          | 1           | C,DC,N,OV,Z           |
|                    |                   | ADDC <i>#lit10, Wn</i>      | $Wd = lit10 + Wd + (C)$                                    | 1          | 1           | C,DC,N,OV,Z           |
|                    |                   | ADDC <i>Wb, Ws, Wd</i>      | $Wd = Wb + Ws + (C)$                                       | 1          | 1           | C,DC,N,OV,Z           |
|                    |                   | ADDC <i>Wb, #lit5, Wd</i>   | $Wd = Wb + lit5 + (C)$                                     | 1          | 1           | C,DC,N,OV,Z           |
| 3                  | AND               | AND <i>f</i>                | $f = f .AND. WREG$   | 1          | 1           | N,Z                   |
|                    |                   | AND <i>f, WREG</i>          | $WREG = f .AND. WREG$                                      | 1          | 1           | N,Z                   |
|                    |                   | AND <i>#lit10, Wn</i>       | $Wd = lit10 .AND. Wd$                                      | 1          | 1           | N,Z                   |
|                    |                   | AND <i>Wb, Ws, Wd</i>       | $Wd = Wb .AND. Ws$   | 1          | 1           | N,Z                   |
|                    |                   | AND <i>Wb, #lit5, Wd</i>    | $Wd = Wb .AND. lit5$                                       | 1          | 1           | N,Z                   |
| 4                  | ASR               | ASR <i>f</i>                | $f = \text{Arithmetic Right Shift } f$                     | 1          | 1           | C,N,OV,Z              |
|                    |                   | ASR <i>f, WREG</i>          | $WREG = \text{Arithmetic Right Shift } f$                  | 1          | 1           | C,N,OV,Z              |
|                    |                   | ASR <i>Ws, Wd</i>           | $Wd = \text{Arithmetic Right Shift } Ws$                   | 1          | 1           | C,N,OV,Z              |
|                    |                   | ASR <i>Wb, Wns, Wnd</i>     | $Wnd = \text{Arithmetic Right Shift } Wb \text{ by } Wns$  | 1          | 1           | N,Z                   |
|                    |                   | ASR <i>Wb, #lit5, Wnd</i>   | $Wnd = \text{Arithmetic Right Shift } Wb \text{ by } lit5$ | 1          | 1           | N,Z                   |
| 5                  | BCLR              | BCLR <i>f, #bit4</i>        | Bit Clear <i>f</i>   | 1          | 1           | None                  |
|                    |                   | BCLR <i>Ws, #bit4</i>       | Bit Clear <i>Ws</i>  | 1          | 1           | None                  |
| 6                  | BRA               | BRA <i>C, Expr</i>          | Branch if Carry  | 1          | 1 (4)       | None                  |
|                    |                   | BRA <i>GE, Expr</i>         | Branch if greater than or equal                            | 1          | 1 (4)       | None                  |
|                    |                   | BRA <i>GEU, Expr</i>        | Branch if unsigned greater than or equal                   | 1          | 1 (4)       | None                  |
|                    |                   | BRA <i>GT, Expr</i>         | Branch if greater than                                     | 1          | 1 (4)       | None                  |
|                    |                   | BRA <i>GTU, Expr</i>        | Branch if unsigned greater than                            | 1          | 1 (4)       | None                  |
|                    |                   | BRA <i>LE, Expr</i>         | Branch if less than or equal                               | 1          | 1 (4)       | None                  |
|                    |                   | BRA <i>LEU, Expr</i>        | Branch if unsigned less than or equal                      | 1          | 1 (4)       | None                  |
|                    |                   | BRA <i>LT, Expr</i>         | Branch if less than  | 1          | 1 (4)       | None                  |
|                    |                   | BRA <i>LTU, Expr</i>        | Branch if unsigned less than                               | 1          | 1 (4)       | None                  |
|                    |                   | BRA <i>N, Expr</i>          | Branch if Negative   | 1          | 1 (4)       | None                  |
|                    |                   | BRA <i>NC, Expr</i>         | Branch if Not Carry  | 1          | 1 (4)       | None                  |
|                    |                   | BRA <i>NN, Expr</i>         | Branch if Not Negative                                     | 1          | 1 (4)       | None                  |
|                    |                   | BRA <i>NOV, Expr</i>        | Branch if Not Overflow                                     | 1          | 1 (4)       | None                  |
|                    |                   | BRA <i>NZ, Expr</i>         | Branch if Not Zero   | 1          | 1 (4)       | None                  |
|                    |                   | BRA <i>OA, Expr</i>         | Branch if Accumulator A overflow                           | 1          | 1 (4)       | None                  |
|                    |                   | BRA <i>OB, Expr</i>         | Branch if Accumulator B overflow                           | 1          | 1 (4)       | None                  |
|                    |                   | BRA <i>OV, Expr</i>         | Branch if Overflow   | 1          | 1 (4)       | None                  |
|                    |                   | BRA <i>SA, Expr</i>         | Branch if Accumulator A saturated                          | 1          | 1 (4)       | None                  |
|                    |                   | BRA <i>SB, Expr</i>         | Branch if Accumulator B saturated                          | 1          | 1 (4)       | None                  |
|                    |                   | BRA <i>Expr</i>             | Branch Unconditionally                                     | 1          | 4           | None                  |
| BRA <i>Z, Expr</i> | Branch if Zero    | 1                           | 1 (4)  | None       |             |                       |
| BRA <i>Wn</i>      | Computed Branch   | 1                           | 4  | None       |             |                       |
| 7                  | BSET              | BSET <i>f, #bit4</i>        | Bit Set <i>f</i>   | 1          | 1           | None                  |
|                    |                   | BSET <i>Ws, #bit4</i>       | Bit Set <i>Ws</i>  | 1          | 1           | None                  |

**Note:** Read and Read-Modify-Write (e.g., bit operations and logical operations) on non-CPU SFRs incur an additional instruction cycle.

# dsPIC33EVXXGM00X/10X FAMILY

**TABLE 28-2: INSTRUCTION SET OVERVIEW (CONTINUED)**

| Base Instr # | Assembly Mnemonic | Assembly Syntax           | Description                                   | # of Words | # of Cycles   | Status Flags Affected |
|--------------|-------------------|---------------------------|---|------------|---------------|-----------------------|
| 8            | BSW               | BSW.C Ws,Wb               | Write C bit to Ws<Wb>                         | 1          | 1             | None                  |
|              |                   | BSW.Z Ws,Wb               | Write Z bit to Ws<Wb>                         | 1          | 1             | None                  |
| 9            | BTG               | BTG f,#bit4               | Bit Toggle f                                  | 1          | 1             | None                  |
|              |                   | BTG Ws,#bit4              | Bit Toggle Ws                                 | 1          | 1             | None                  |
| 10           | BTSC              | BTSC f,#bit4              | Bit Test f, Skip if Clear                     | 1          | 1<br>(2 or 3) | None                  |
|              |                   | BTSC Ws,#bit4             | Bit Test Ws, Skip if Clear                    | 1          | 1<br>(2 or 3) | None                  |
| 11           | BTSS              | BTSS f,#bit4              | Bit Test f, Skip if Set                       | 1          | 1<br>(2 or 3) | None                  |
|              |                   | BTSS Ws,#bit4             | Bit Test Ws, Skip if Set                      | 1          | 1<br>(2 or 3) | None                  |
| 12           | BTST              | BTST f,#bit4              | Bit Test f                                    | 1          | 1             | Z                     |
|              |                   | BTST.C Ws,#bit4           | Bit Test Ws to C                              | 1          | 1             | C                     |
|              |                   | BTST.Z Ws,#bit4           | Bit Test Ws to Z                              | 1          | 1             | Z                     |
|              |                   | BTST.C Ws,Wb              | Bit Test Ws<Wb> to C                          | 1          | 1             | C                     |
|              |                   | BTST.Z Ws,Wb              | Bit Test Ws<Wb> to Z                          | 1          | 1             | Z                     |
| 13           | BTSTS             | BTSTS f,#bit4             | Bit Test then Set f                           | 1          | 1             | Z                     |
|              |                   | BTSTS.C Ws,#bit4          | Bit Test Ws to C, then Set                    | 1          | 1             | C                     |
|              |                   | BTSTS.Z Ws,#bit4          | Bit Test Ws to Z, then Set                    | 1          | 1             | Z                     |
| 14           | CALL              | CALL lit23                | Call subroutine                               | 2          | 4             | SFA                   |
|              |                   | CALL Wn                   | Call indirect subroutine                      | 1          | 4             | SFA                   |
|              |                   | CALL.L Wn                 | Call indirect subroutine (long address)       | 1          | 4             | SFA                   |
| 15           | CLR               | CLR f                     | f = 0x0000                                    | 1          | 1             | None                  |
|              |                   | CLR WREG                  | WREG = 0x0000                                 | 1          | 1             | None                  |
|              |                   | CLR Ws                    | Ws = 0x0000                                   | 1          | 1             | None                  |
|              |                   | CLR Acc,Wx,Wxd,Wy,Wyd,AWB | Clear Accumulator                             | 1          | 1             | OA,OB,SA,SB           |
| 16           | CLRWDT            | CLRWDT                    | Clear Watchdog Timer                          | 1          | 1             | WDTO,Sleep            |
| 17           | COM               | COM f                     | f = $\bar{f}$                                 | 1          | 1             | N,Z                   |
|              |                   | COM f,WREG                | WREG = $\bar{f}$                              | 1          | 1             | N,Z                   |
|              |                   | COM Ws,Wd                 | Wd = $\overline{Ws}$                          | 1          | 1             | N,Z                   |
| 18           | CP                | CP f                      | Compare f with WREG                           | 1          | 1             | C,DC,N,OV,Z           |
|              |                   | CP Wb,#lit8               | Compare Wb with lit8                          | 1          | 1             | C,DC,N,OV,Z           |
|              |                   | CP Wb,Ws                  | Compare Wb with Ws (Wb – Ws)                  | 1          | 1             | C,DC,N,OV,Z           |
| 19           | CP0               | CP0 f                     | Compare f with 0x0000                         | 1          | 1             | C,DC,N,OV,Z           |
|              |                   | CP0 Ws                    | Compare Ws with 0x0000                        | 1          | 1             | C,DC,N,OV,Z           |
| 20           | CPB               | CPB f                     | Compare f with WREG, with Borrow              | 1          | 1             | C,DC,N,OV,Z           |
|              |                   | CPB Wb,#lit8              | Compare Wb with lit8, with Borrow             | 1          | 1             | C,DC,N,OV,Z           |
|              |                   | CPB Wb,Ws                 | Compare Wb with Ws, with Borrow (Wb – Ws – C) | 1          | 1             | C,DC,N,OV,Z           |
| 21           | CPSEQ             | CPSEQ Wb,Wn               | Compare Wb with Wn, skip if =                 | 1          | 1<br>(2 or 3) | None                  |
|              | CPBEQ             | CPBEQ Wb,Wn,Expr          | Compare Wb with Wn, branch if =               | 1          | 1 (5)         | None                  |
| 22           | CPSGT             | CPSGT Wb,Wn               | Compare Wb with Wn, skip if >                 | 1          | 1<br>(2 or 3) | None                  |
|              | CPBGT             | CPBGT Wb,Wn,Expr          | Compare Wb with Wn, branch if >               | 1          | 1 (5)         | None                  |
| 23           | CPSLT             | CPSLT Wb,Wn               | Compare Wb with Wn, skip if <                 | 1          | 1<br>(2 or 3) | None                  |
|              | CPBLT             | CPBLT Wb,Wn,Expr          | Compare Wb with Wn, branch if <               | 1          | 1 (5)         | None                  |
| 24           | CPSNE             | CPSNE Wb,Wn               | Compare Wb with Wn, skip if ≠                 | 1          | 1<br>(2 or 3) | None                  |
|              | CPBNE             | CPBNE Wb,Wn,Expr          | Compare Wb with Wn, branch if ≠               | 1          | 1 (5)         | None                  |

**Note:** Read and Read-Modify-Write (e.g., bit operations and logical operations) on non-CPU SFRs incur an additional instruction cycle.

# dsPIC33EVXXGM00X/10X FAMILY

**TABLE 28-2: INSTRUCTION SET OVERVIEW (CONTINUED)**

| Base Instr # | Assembly Mnemonic | Assembly Syntax              | Description  | # of Words | # of Cycles | Status Flags Affected |
|--------------|-------------------|------------------------------|--|------------|-------------|-----------------------|
| 25           | CTXTSWP           | CTXTSWP #lit3                | Switch CPU register context to context defined by lit3 | 1          | 2           | None                  |
|              |                   | CTXTSWP Wn                   | Switch CPU register context to context defined by Wn   | 1          | 2           | None                  |
| 26           | DAW               | DAW Wn                       | Wn = decimal adjust Wn                                 | 1          | 1           | C                     |
| 27           | DEC               | DEC f                        | $f = f - 1$  | 1          | 1           | C,DC,N,OV,Z           |
|              |                   | DEC f, WREG                  | WREG = $f - 1$   | 1          | 1           | C,DC,N,OV,Z           |
|              |                   | DEC Ws, Wd                   | Wd = Ws - 1  | 1          | 1           | C,DC,N,OV,Z           |
| 28           | DEC2              | DEC2 f                       | $f = f - 2$  | 1          | 1           | C,DC,N,OV,Z           |
|              |                   | DEC2 f, WREG                 | WREG = $f - 2$   | 1          | 1           | C,DC,N,OV,Z           |
|              |                   | DEC2 Ws, Wd                  | Wd = Ws - 2  | 1          | 1           | C,DC,N,OV,Z           |
| 29           | DISI              | DISI #lit14                  | Disable Interrupts for k instruction cycles            | 1          | 1           | None                  |
| 30           | DIV               | DIV.S Wm, Wn                 | Signed 16/16-bit Integer Divide                        | 1          | 18          | N,Z,C,OV              |
|              |                   | DIV.SD Wm, Wn                | Signed 32/16-bit Integer Divide                        | 1          | 18          | N,Z,C,OV              |
|              |                   | DIV.U Wm, Wn                 | Unsigned 16/16-bit Integer Divide                      | 1          | 18          | N,Z,C,OV              |
|              |                   | DIV.UD Wm, Wn                | Unsigned 32/16-bit Integer Divide                      | 1          | 18          | N,Z,C,OV              |
| 31           | DIVF              | DIVF Wm, Wn                  | Signed 16/16-bit Fractional Divide                     | 1          | 18          | N,Z,C,OV              |
| 32           | DO                | DO #lit15, Expr              | Do code to PC + Expr, lit15 + 1 times                  | 2          | 2           | None                  |
|              |                   | DO Wn, Expr                  | Do code to PC + Expr, (Wn) + 1 times                   | 2          | 2           | None                  |
| 33           | ED                | ED Wm*Wm, Acc, Wx, Wy, Wxd   | Euclidean Distance (no accumulate)                     | 1          | 1           | OA,OB,OAB,SA,SB,SAB   |
| 34           | EDAC              | EDAC Wm*Wm, Acc, Wx, Wy, Wxd | Euclidean Distance                                     | 1          | 1           | OA,OB,OAB,SA,SB,SAB   |
| 35           | EXCH              | EXCH Wns, Wnd                | Swap Wns with Wnd                                      | 1          | 1           | None                  |
| 36           | FBCL              | FBCL Ws, Wnd                 | Find Bit Change from Left (MSb) Side                   | 1          | 1           | C                     |
| 37           | FF1L              | FF1L Ws, Wnd                 | Find First One from Left (MSb) Side                    | 1          | 1           | C                     |
| 38           | FF1R              | FF1R Ws, Wnd                 | Find First One from Right (LSb) Side                   | 1          | 1           | C                     |
| 39           | GOTO              | GOTO Expr                    | Go to address  | 2          | 4           | None                  |
|              |                   | GOTO Wn                      | Go to indirect   | 1          | 4           | None                  |
|              |                   | GOTO.L Wn                    | Go to indirect (long address)                          | 1          | 4           | None                  |
| 40           | INC               | INC f                        | $f = f + 1$  | 1          | 1           | C,DC,N,OV,Z           |
|              |                   | INC f, WREG                  | WREG = $f + 1$   | 1          | 1           | C,DC,N,OV,Z           |
|              |                   | INC Ws, Wd                   | Wd = Ws + 1  | 1          | 1           | C,DC,N,OV,Z           |
| 41           | INC2              | INC2 f                       | $f = f + 2$  | 1          | 1           | C,DC,N,OV,Z           |
|              |                   | INC2 f, WREG                 | WREG = $f + 2$   | 1          | 1           | C,DC,N,OV,Z           |
|              |                   | INC2 Ws, Wd                  | Wd = Ws + 2  | 1          | 1           | C,DC,N,OV,Z           |
| 42           | IOR               | IOR f                        | $f = f .IOR. WREG$                                     | 1          | 1           | N,Z                   |
|              |                   | IOR f, WREG                  | WREG = $f .IOR. WREG$                                  | 1          | 1           | N,Z                   |
|              |                   | IOR #lit10, Wn               | Wd = lit10 .IOR. Wd                                    | 1          | 1           | N,Z                   |
|              |                   | IOR Wb, Ws, Wd               | Wd = Wb .IOR. Ws                                       | 1          | 1           | N,Z                   |
|              |                   | IOR Wb, #lit5, Wd            | Wd = Wb .IOR. lit5                                     | 1          | 1           | N,Z                   |
| 43           | LAC               | LAC Wso, #Slit4, Acc         | Load Accumulator                                       | 1          | 1           | OA,OB,OAB,SA,SB,SAB   |
| 44           | LNK               | LNK #lit14                   | Link Frame Pointer                                     | 1          | 1           | SFA                   |
| 45           | LSR               | LSR f                        | f = Logical Right Shift f                              | 1          | 1           | C,N,OV,Z              |
|              |                   | LSR f, WREG                  | WREG = Logical Right Shift f                           | 1          | 1           | C,N,OV,Z              |
|              |                   | LSR Ws, Wd                   | Wd = Logical Right Shift Ws                            | 1          | 1           | C,N,OV,Z              |
|              |                   | LSR Wb, Wns, Wnd             | Wnd = Logical Right Shift Wb by Wns                    | 1          | 1           | N,Z                   |
|              |                   | LSR Wb, #lit5, Wnd           | Wnd = Logical Right Shift Wb by lit5                   | 1          | 1           | N,Z                   |

**Note:** Read and Read-Modify-Write (e.g., bit operations and logical operations) on non-CPU SFRs incur an additional instruction cycle.

# dsPIC33EVXXGM00X/10X FAMILY

**TABLE 28-2: INSTRUCTION SET OVERVIEW (CONTINUED)**

| Base Instr # | Assembly Mnemonic | Assembly Syntax                           | Description                            | # of Words | # of Cycles | Status Flags Affected |
|--------------|-------------------|---|--|------------|-------------|-----------------------|
| 46           | MAC               | MAC $Wm * Wn, Acc, Wx, Wxd, Wy, Wyd, AWB$ | Multiply and Accumulate                | 1          | 1           | OA,OB,OAB,SA,SB,SAB   |
|              |                   | MAC $Wm * Wm, Acc, Wx, Wxd, Wy, Wyd$      | Square and Accumulate                  | 1          | 1           | OA,OB,OAB,SA,SB,SAB   |
| 47           | MOV               | MOV $f, Wn$                               | Move f to Wn                           | 1          | 1           | None                  |
|              |                   | MOV $f$                                   | Move f to f                            | 1          | 1           | None                  |
|              |                   | MOV $f, WREG$                             | Move f to WREG                         | 1          | 1           | None                  |
|              |                   | MOV $\#lit16, Wn$                         | Move 16-bit literal to Wn              | 1          | 1           | None                  |
|              |                   | MOV.b $\#lit8, Wn$                        | Move 8-bit literal to Wn               | 1          | 1           | None                  |
|              |                   | MOV $Wn, f$                               | Move Wn to f                           | 1          | 1           | None                  |
|              |                   | MOV $Wso, Wdo$                            | Move Ws to Wd                          | 1          | 1           | None                  |
|              |                   | MOV $WREG, f$                             | Move WREG to f                         | 1          | 1           | None                  |
|              |                   | MOV.D $Wns, Wd$                           | Move Double from W(ns):W(ns + 1) to Wd | 1          | 2           | None                  |
|              |                   | MOV.D $Ws, Wnd$                           | Move Double from Ws to W(nd + 1):W(nd) | 1          | 2           | None                  |
| 48           | MOVPAG            | MOVPAG $\#lit10, DSRPAG$                  | Move 10-bit literal to DSRPAG          | 1          | 1           | None                  |
|              |                   | MOVPAG $\#lit9, DSWPAG$                   | Move 9-bit literal to DSWPAG           | 1          | 1           | None                  |
|              |                   | MOVPAG $\#lit8, TBLPAG$                   | Move 8-bit literal to TBLPAG           | 1          | 1           | None                  |
|              |                   | MOVPAGW $Ws, DSRPAG$                      | Move Ws<9:0> to DSRPAG                 | 1          | 1           | None                  |
|              |                   | MOVPAGW $Ws, DSWPAG$                      | Move Ws<8:0> to DSWPAG                 | 1          | 1           | None                  |
|              |                   | MOVPAGW $Ws, TBLPAG$                      | Move Ws<7:0> to TBLPAG                 | 1          | 1           | None                  |
| 49           | MOVSAC            | MOVSAC $Acc, Wx, Wxd, Wy, Wyd, AWB$       | Prefetch and store accumulator         | 1          | 1           | None                  |
| 50           | MPY               | MPY $Wm * Wn, Acc, Wx, Wxd, Wy, Wyd$      | Multiply Wm by Wn to Accumulator       | 1          | 1           | OA,OB,OAB,SA,SB,SAB   |
|              |                   | MPY $Wm * Wm, Acc, Wx, Wxd, Wy, Wyd$      | Square Wm to Accumulator               | 1          | 1           | OA,OB,OAB,SA,SB,SAB   |
| 51           | MPY.N             | MPY.N $Wm * Wn, Acc, Wx, Wxd, Wy, Wyd$    | -(Multiply Wm by Wn) to Accumulator    | 1          | 1           | None                  |
| 52           | MSC               | MSC $Wm * Wm, Acc, Wx, Wxd, Wy, Wyd, AWB$ | Multiply and Subtract from Accumulator | 1          | 1           | OA,OB,OAB,SA,SB,SAB   |

**Note:** Read and Read-Modify-Write (e.g., bit operations and logical operations) on non-CPU SFRs incur an additional instruction cycle.

# dsPIC33EVXXGM00X/10X FAMILY

**TABLE 28-2: INSTRUCTION SET OVERVIEW (CONTINUED)**

| Base Instr # | Assembly Mnemonic | Assembly Syntax       | Description                                    | # of Words | # of Cycles | Status Flags Affected |
|--------------|-------------------|-----------------------|--|------------|-------------|-----------------------|
| 53           | MUL               | MUL.SS Wb, Ws, Wnd    | {Wnd + 1, Wnd} = signed(Wb) * signed(Ws)       | 1          | 1           | None                  |
|              |                   | MUL.SS Wb, Ws, Acc    | Accumulator = signed(Wb) * signed(Ws)          | 1          | 1           | None                  |
|              |                   | MUL.SU Wb, Ws, Wnd    | {Wnd + 1, Wnd} = signed(Wb) * unsigned(Ws)     | 1          | 1           | None                  |
|              |                   | MUL.SU Wb, Ws, Acc    | Accumulator = signed(Wb) * unsigned(Ws)        | 1          | 1           | None                  |
|              |                   | MUL.SU Wb, #lit5, Acc | Accumulator = signed(Wb) * unsigned(lit5)      | 1          | 1           | None                  |
|              |                   | MUL.US Wb, Ws, Wnd    | {Wnd + 1, Wnd} = unsigned(Wb) * signed(Ws)     | 1          | 1           | None                  |
|              |                   | MUL.US Wb, Ws, Acc    | Accumulator = unsigned(Wb) * signed(Ws)        | 1          | 1           | None                  |
|              |                   | MUL.UU Wb, Ws, Wnd    | {Wnd + 1, Wnd} = unsigned(Wb) * unsigned(Ws)   | 1          | 1           | None                  |
|              |                   | MUL.UU Wb, #lit5, Acc | Accumulator = unsigned(Wb) * unsigned(lit5)    | 1          | 1           | None                  |
|              |                   | MUL.UU Wb, Ws, Acc    | Accumulator = unsigned(Wb) * unsigned(Ws)      | 1          | 1           | None                  |
|              |                   | MULW.SS Wb, Ws, Wnd   | Wnd = signed(Wb) * signed(Ws)                  | 1          | 1           | None                  |
|              |                   | MULW.SU Wb, Ws, Wnd   | Wnd = signed(Wb) * unsigned(Ws)                | 1          | 1           | None                  |
|              |                   | MULW.US Wb, Ws, Wnd   | Wnd = unsigned(Wb) * signed(Ws)                | 1          | 1           | None                  |
|              |                   | MULW.UU Wb, Ws, Wnd   | Wnd = unsigned(Wb) * unsigned(Ws)              | 1          | 1           | None                  |
|              |                   | MUL.SU Wb, #lit5, Wnd | {Wnd + 1, Wnd} = signed(Wb) * unsigned(lit5)   | 1          | 1           | None                  |
|              |                   | MUL.SU Wb, #lit5, Wnd | Wnd = signed(Wb) * unsigned(lit5)              | 1          | 1           | None                  |
|              |                   | MUL.UU Wb, #lit5, Wnd | {Wnd + 1, Wnd} = unsigned(Wb) * unsigned(lit5) | 1          | 1           | None                  |
|              |                   | MUL.UU Wb, #lit5, Wnd | Wnd = unsigned(Wb) * unsigned(lit5)            | 1          | 1           | None                  |
| MUL          | f                 | W3:W2 = f * WREG      | 1  | 1          | None        |                       |
| 54           | NEG               | NEG Acc               | Negate Accumulator                             | 1          | 1           | OA,OB,OAB,SA,SB,SAB   |
|              |                   | NEG f                 | $f = \bar{f} + 1$                              | 1          | 1           | C,DC,N,OV,Z           |
|              |                   | NEG f, WREG           | WREG = $\bar{f} + 1$                           | 1          | 1           | C,DC,N,OV,Z           |
|              |                   | NEG Ws, Wd            | $Wd = \overline{Ws} + 1$                       | 1          | 1           | C,DC,N,OV,Z           |
| 55           | NOP               | NOP                   | No Operation                                   | 1          | 1           | None                  |
|              |                   | NOPR                  | No Operation                                   | 1          | 1           | None                  |
| 56           | POP               | POP f                 | Pop f from Top-of-Stack (TOS)                  | 1          | 1           | None                  |
|              |                   | POP Wdo               | Pop from Top-of-Stack (TOS) to Wdo             | 1          | 1           | None                  |
|              |                   | POP.D Wnd             | Pop from Top-of-Stack (TOS) to W(nd):W(nd + 1) | 1          | 2           | None                  |
|              |                   | POP.S                 | Pop Shadow Registers                           | 1          | 1           | All                   |
| 57           | PUSH              | PUSH f                | Push f to Top-of-Stack (TOS)                   | 1          | 1           | None                  |
|              |                   | PUSH Wso              | Push Wso to Top-of-Stack (TOS)                 | 1          | 1           | None                  |
|              |                   | PUSH.D Wns            | Push W(ns):W(ns + 1) to Top-of-Stack (TOS)     | 1          | 2           | None                  |
|              |                   | PUSH.S                | Push Shadow Registers                          | 1          | 1           | None                  |
| 58           | PWRSVAV           | PWRSVAV #lit1         | Go into Sleep or Idle mode                     | 1          | 1           | WDTO,Sleep            |
| 59           | RCALL             | RCALL Expr            | Relative Call                                  | 1          | 4           | SFA                   |
|              |                   | RCALL Wn              | Computed Call                                  | 1          | 4           | SFA                   |
| 60           | REPEAT            | REPEAT #lit15         | Repeat Next Instruction lit15 + 1 times        | 1          | 1           | None                  |
|              |                   | REPEAT Wn             | Repeat Next Instruction (Wn) + 1 times         | 1          | 1           | None                  |
| 61           | RESET             | RESET                 | Software device Reset                          | 1          | 1           | None                  |
| 62           | RETFIE            | RETFIE                | Return from interrupt                          | 1          | 6 (5)       | SFA                   |

**Note:** Read and Read-Modify-Write (e.g., bit operations and logical operations) on non-CPU SFRs incur an additional instruction cycle.

# dsPIC33EVXXGM00X/10X FAMILY

**TABLE 28-2: INSTRUCTION SET OVERVIEW (CONTINUED)**

| Base Instr # | Assembly Mnemonic | Assembly Syntax      | Description                           | # of Words | # of Cycles | Status Flags Affected |
|--------------|-------------------|----------------------|---------------------------------------|------------|-------------|-----------------------|
| 63           | RETLW             | RETLW #lit10,Wn      | Return with literal in Wn             | 1          | 6 (5)       | SFA                   |
| 64           | RETURN            | RETURN               | Return from Subroutine                | 1          | 6 (5)       | SFA                   |
| 65           | RLC               | RLC f                | f = Rotate Left through Carry f       | 1          | 1           | C,N,Z                 |
|              |                   | RLC f,WREG           | WREG = Rotate Left through Carry f    | 1          | 1           | C,N,Z                 |
|              |                   | RLC Ws,Wd            | Wd = Rotate Left through Carry Ws     | 1          | 1           | C,N,Z                 |
| 66           | RLNC              | RLNC f               | f = Rotate Left (No Carry) f          | 1          | 1           | N,Z                   |
|              |                   | RLNC f,WREG          | WREG = Rotate Left (No Carry) f       | 1          | 1           | N,Z                   |
|              |                   | RLNC Ws,Wd           | Wd = Rotate Left (No Carry) Ws        | 1          | 1           | N,Z                   |
| 67           | RRC               | RRC f                | f = Rotate Right through Carry f      | 1          | 1           | C,N,Z                 |
|              |                   | RRC f,WREG           | WREG = Rotate Right through Carry f   | 1          | 1           | C,N,Z                 |
|              |                   | RRC Ws,Wd            | Wd = Rotate Right through Carry Ws    | 1          | 1           | C,N,Z                 |
| 68           | RRNC              | RRNC f               | f = Rotate Right (No Carry) f         | 1          | 1           | N,Z                   |
|              |                   | RRNC f,WREG          | WREG = Rotate Right (No Carry) f      | 1          | 1           | N,Z                   |
|              |                   | RRNC Ws,Wd           | Wd = Rotate Right (No Carry) Ws       | 1          | 1           | N,Z                   |
| 69           | SAC               | SAC Acc,#Slit4,Wdo   | Store Accumulator                     | 1          | 1           | None                  |
|              |                   | SAC.R Acc,#Slit4,Wdo | Store Rounded Accumulator             | 1          | 1           | None                  |
| 70           | SE                | SE Ws,Wnd            | Wnd = sign-extended Ws                | 1          | 1           | C,N,Z                 |
| 71           | SETM              | SETM f               | f = 0xFFFF                            | 1          | 1           | None                  |
|              |                   | SETM WREG            | WREG = 0xFFFF                         | 1          | 1           | None                  |
|              |                   | SETM Ws              | Ws = 0xFFFF                           | 1          | 1           | None                  |
| 72           | SFTAC             | SFTAC Acc,Wn         | Arithmetic Shift Accumulator by (Wn)  | 1          | 1           | OA,OB,OAB,SA,SB,SAB   |
|              |                   | SFTAC Acc,#Slit6     | Arithmetic Shift Accumulator by Slit6 | 1          | 1           | OA,OB,OAB,SA,SB,SAB   |
| 73           | SL                | SL f                 | f = Left Shift f                      | 1          | 1           | C,N,OV,Z              |
|              |                   | SL f,WREG            | WREG = Left Shift f                   | 1          | 1           | C,N,OV,Z              |
|              |                   | SL Ws,Wd             | Wd = Left Shift Ws                    | 1          | 1           | C,N,OV,Z              |
|              |                   | SL Wb,Wns,Wnd        | Wnd = Left Shift Wb by Wns            | 1          | 1           | N,Z                   |
|              |                   | SL Wb,#lit5,Wnd      | Wnd = Left Shift Wb by lit5           | 1          | 1           | N,Z                   |
| 74           | SUB               | SUB Acc              | Subtract Accumulators                 | 1          | 1           | OA,OB,OAB,SA,SB,SAB   |
|              |                   | SUB f                | f = f - WREG                          | 1          | 1           | C,DC,N,OV,Z           |
|              |                   | SUB f,WREG           | WREG = f - WREG                       | 1          | 1           | C,DC,N,OV,Z           |
|              |                   | SUB #lit10,Wn        | Wn = Wn - lit10                       | 1          | 1           | C,DC,N,OV,Z           |
|              |                   | SUB Wb,Ws,Wd         | Wd = Wb - Ws                          | 1          | 1           | C,DC,N,OV,Z           |
|              |                   | SUB Wb,#lit5,Wd      | Wd = Wb - lit5                        | 1          | 1           | C,DC,N,OV,Z           |
| 75           | SUBB              | SUBB f               | f = f - WREG - (C)                    | 1          | 1           | C,DC,N,OV,Z           |
|              |                   | SUBB f,WREG          | WREG = f - WREG - (C)                 | 1          | 1           | C,DC,N,OV,Z           |
|              |                   | SUBB #lit10,Wn       | Wn = Wn - lit10 - (C)                 | 1          | 1           | C,DC,N,OV,Z           |
|              |                   | SUBB Wb,Ws,Wd        | Wd = Wb - Ws - (C)                    | 1          | 1           | C,DC,N,OV,Z           |
|              |                   | SUBB Wb,#lit5,Wd     | Wd = Wb - lit5 - (C)                  | 1          | 1           | C,DC,N,OV,Z           |
| 76           | SUBR              | SUBR f               | f = WREG - f                          | 1          | 1           | C,DC,N,OV,Z           |
|              |                   | SUBR f,WREG          | WREG = WREG - f                       | 1          | 1           | C,DC,N,OV,Z           |
|              |                   | SUBR Wb,Ws,Wd        | Wd = Ws - Wb                          | 1          | 1           | C,DC,N,OV,Z           |
|              |                   | SUBR Wb,#lit5,Wd     | Wd = lit5 - Wb                        | 1          | 1           | C,DC,N,OV,Z           |
| 77           | SUBBR             | SUBBR f              | f = WREG - f - (C)                    | 1          | 1           | C,DC,N,OV,Z           |
|              |                   | SUBBR f,WREG         | WREG = WREG - f - (C)                 | 1          | 1           | C,DC,N,OV,Z           |
|              |                   | SUBBR Wb,Ws,Wd       | Wd = Ws - Wb - (C)                    | 1          | 1           | C,DC,N,OV,Z           |
|              |                   | SUBBR Wb,#lit5,Wd    | Wd = lit5 - Wb - (C)                  | 1          | 1           | C,DC,N,OV,Z           |

**Note:** Read and Read-Modify-Write (e.g., bit operations and logical operations) on non-CPU SFRs incur an additional instruction cycle.

# dsPIC33EVXXGM00X/10X FAMILY

**TABLE 28-2: INSTRUCTION SET OVERVIEW (CONTINUED)**

| Base Instr # | Assembly Mnemonic | Assembly Syntax   | Description                  | # of Words | # of Cycles | Status Flags Affected |
|--------------|-------------------|-------------------|------------------------------|------------|-------------|-----------------------|
| 78           | SWAP              | SWAP .b Wn        | Wn = nibble swap Wn          | 1          | 1           | None                  |
|              |                   | SWAP Wn           | Wn = byte swap Wn            | 1          | 1           | None                  |
| 79           | TBLRDH            | TBLRDH Ws, Wd     | Read Prog<23:16> to Wd<7:0>  | 1          | 5           | None                  |
| 80           | TBLRDL            | TBLRDL Ws, Wd     | Read Prog<15:0> to Wd        | 1          | 5           | None                  |
| 81           | TBLWTH            | TBLWTH Ws, Wd     | Write Ws<7:0> to Prog<23:16> | 1          | 2           | None                  |
| 82           | TBLWTL            | TBLWTL Ws, Wd     | Write Ws to Prog<15:0>       | 1          | 2           | None                  |
| 83           | ULNK              | ULNK              | Unlink Frame Pointer         | 1          | 1           | SFA                   |
| 84           | XOR               | XOR f             | f = f .XOR. WREG             | 1          | 1           | N,Z                   |
|              |                   | XOR f, WREG       | WREG = f .XOR. WREG          | 1          | 1           | N,Z                   |
|              |                   | XOR #lit10, Wn    | Wd = lit10 .XOR. Wd          | 1          | 1           | N,Z                   |
|              |                   | XOR Wb, Ws, Wd    | Wd = Wb .XOR. Ws             | 1          | 1           | N,Z                   |
|              |                   | XOR Wb, #lit5, Wd | Wd = Wb .XOR. lit5           | 1          | 1           | N,Z                   |
| 85           | ZE                | ZE Ws, Wnd        | Wnd = Zero-extend Ws         | 1          | 1           | C,Z,N                 |

**Note:** Read and Read-Modify-Write (e.g., bit operations and logical operations) on non-CPU SFRs incur an additional instruction cycle.



## 29.0 DEVELOPMENT SUPPORT

The PIC<sup>®</sup> microcontrollers (MCU) and dsPIC<sup>®</sup> digital signal controllers (DSC) are supported with a full range of software and hardware development tools:

- Integrated Development Environment
  - MPLAB<sup>®</sup> X IDE Software
- Compilers/Assemblers/Linkers
  - MPLAB XC Compiler
  - MPASM<sup>™</sup> Assembler
  - MPLINK<sup>™</sup> Object Linker/  
MPLIB<sup>™</sup> Object Librarian
  - MPLAB Assembler/Linker/Librarian for  
Various Device Families
- Simulators
  - MPLAB X SIM Software Simulator
- Emulators
  - MPLAB REAL ICE<sup>™</sup> In-Circuit Emulator
- In-Circuit Debuggers/Programmers
  - MPLAB ICD 3
  - PICKit<sup>™</sup> 3
- Device Programmers
  - MPLAB PM3 Device Programmer
- Low-Cost Demonstration/Development Boards,  
Evaluation Kits and Starter Kits
- Third-party development tools

## 29.1 MPLAB X Integrated Development Environment Software

The MPLAB X IDE is a single, unified graphical user interface for Microchip and third-party software, and hardware development tool that runs on Windows<sup>®</sup>, Linux and Mac OS<sup>®</sup> X. Based on the NetBeans IDE, MPLAB X IDE is an entirely new IDE with a host of free software components and plug-ins for high-performance application development and debugging. Moving between tools and upgrading from software simulators to hardware debugging and programming tools is simple with the seamless user interface.

With complete project management, visual call graphs, a configurable watch window and a feature-rich editor that includes code completion and context menus, MPLAB X IDE is flexible and friendly enough for new users. With the ability to support multiple tools on multiple projects with simultaneous debugging, MPLAB X IDE is also suitable for the needs of experienced users.

Feature-Rich Editor:

- Color syntax highlighting
- Smart code completion makes suggestions and provides hints as you type
- Automatic code formatting based on user-defined rules
- Live parsing

User-Friendly, Customizable Interface:

- Fully customizable interface: toolbars, toolbar buttons, windows, window placement, etc.
- Call graph window

Project-Based Workspaces:

- Multiple projects
- Multiple tools
- Multiple configurations
- Simultaneous debugging sessions

File History and Bug Tracking:

- Local file history feature
- Built-in support for Bugzilla issue tracker

# dsPIC33EVXXGM00X/10X FAMILY

---

## 29.2 MPLAB XC Compilers

The MPLAB XC Compilers are complete ANSI C compilers for all of Microchip's 8, 16, and 32-bit MCU and DSC devices. These compilers provide powerful integration capabilities, superior code optimization and ease of use. MPLAB XC Compilers run on Windows, Linux or MAC OS X.

For easy source level debugging, the compilers provide debug information that is optimized to the MPLAB X IDE.

The free MPLAB XC Compiler editions support all devices and commands, with no time or memory restrictions, and offer sufficient code optimization for most applications.

MPLAB XC Compilers include an assembler, linker and utilities. The assembler generates relocatable object files that can then be archived or linked with other relocatable object files and archives to create an executable file. MPLAB XC Compiler uses the assembler to produce its object file. Notable features of the assembler include:

- Support for the entire device instruction set
- Support for fixed-point and floating-point data
- Command-line interface
- Rich directive set
- Flexible macro language
- MPLAB X IDE compatibility

## 29.3 MPASM Assembler

The MPASM Assembler is a full-featured, universal macro assembler for PIC10/12/16/18 MCUs.

The MPASM Assembler generates relocatable object files for the MPLINK Object Linker, Intel® standard HEX files, MAP files to detail memory usage and symbol reference, absolute LST files that contain source lines and generated machine code, and COFF files for debugging.

The MPASM Assembler features include:

- Integration into MPLAB X IDE projects
- User-defined macros to streamline assembly code
- Conditional assembly for multipurpose source files
- Directives that allow complete control over the assembly process

## 29.4 MPLINK Object Linker/ MPLIB Object Librarian

The MPLINK Object Linker combines relocatable objects created by the MPASM Assembler. It can link relocatable objects from precompiled libraries, using directives from a linker script.

The MPLIB Object Librarian manages the creation and modification of library files of precompiled code. When a routine from a library is called from a source file, only the modules that contain that routine will be linked in with the application. This allows large libraries to be used efficiently in many different applications.

The object linker/library features include:

- Efficient linking of single libraries instead of many smaller files
- Enhanced code maintainability by grouping related modules together
- Flexible creation of libraries with easy module listing, replacement, deletion and extraction

## 29.5 MPLAB Assembler, Linker and Librarian for Various Device Families

MPLAB Assembler produces relocatable machine code from symbolic assembly language for PIC24, PIC32 and dsPIC DSC devices. MPLAB XC Compiler uses the assembler to produce its object file. The assembler generates relocatable object files that can then be archived or linked with other relocatable object files and archives to create an executable file. Notable features of the assembler include:

- Support for the entire device instruction set
- Support for fixed-point and floating-point data
- Command-line interface
- Rich directive set
- Flexible macro language
- MPLAB X IDE compatibility

## 29.6 MPLAB X SIM Software Simulator

The MPLAB X SIM Software Simulator allows code development in a PC-hosted environment by simulating the PIC MCUs and dsPIC DSCs on an instruction level. On any given instruction, the data areas can be examined or modified and stimuli can be applied from a comprehensive stimulus controller. Registers can be logged to files for further run-time analysis. The trace buffer and logic analyzer display extend the power of the simulator to record and track program execution, actions on I/O, most peripherals and internal registers.

The MPLAB X SIM Software Simulator fully supports symbolic debugging using the MPLAB XC Compilers, and the MPASM and MPLAB Assemblers. The software simulator offers the flexibility to develop and debug code outside of the hardware laboratory environment, making it an excellent, economical software development tool.

## 29.7 MPLAB REAL ICE In-Circuit Emulator System

The MPLAB REAL ICE In-Circuit Emulator System is Microchip's next generation high-speed emulator for Microchip Flash DSC and MCU devices. It debugs and programs all 8, 16 and 32-bit MCU, and DSC devices with the easy-to-use, powerful graphical user interface of the MPLAB X IDE.

The emulator is connected to the design engineer's PC using a high-speed USB 2.0 interface and is connected to the target with either a connector compatible with in-circuit debugger systems (RJ-11) or with the new high-speed, noise tolerant, Low-Voltage Differential Signal (LVDS) interconnection (CAT5).

The emulator is field upgradable through future firmware downloads in MPLAB X IDE. MPLAB REAL ICE offers significant advantages over competitive emulators including full-speed emulation, run-time variable watches, trace analysis, complex breakpoints, logic probes, a ruggedized probe interface and long (up to three meters) interconnection cables.

## 29.8 MPLAB ICD 3 In-Circuit Debugger System

The MPLAB ICD 3 In-Circuit Debugger System is Microchip's most cost-effective, high-speed hardware debugger/programmer for Microchip Flash DSC and MCU devices. It debugs and programs PIC Flash microcontrollers and dsPIC DSCs with the powerful, yet easy-to-use graphical user interface of the MPLAB IDE.

The MPLAB ICD 3 In-Circuit Debugger probe is connected to the design engineer's PC using a high-speed USB 2.0 interface and is connected to the target with a connector compatible with the MPLAB ICD 2 or MPLAB REAL ICE systems (RJ-11). MPLAB ICD 3 supports all MPLAB ICD 2 headers.

## 29.9 PICkit 3 In-Circuit Debugger/Programmer

The MPLAB PICkit 3 allows debugging and programming of PIC and dsPIC Flash microcontrollers at a most affordable price point using the powerful graphical user interface of the MPLAB IDE. The MPLAB PICkit 3 is connected to the design engineer's PC using a full-speed USB interface and can be connected to the target via a Microchip debug (RJ-11) connector (compatible with MPLAB ICD 3 and MPLAB REAL ICE). The connector uses two device I/O pins and the Reset line to implement in-circuit debugging and In-Circuit Serial Programming™ (ICSP™).

## 29.10 MPLAB PM3 Device Programmer

The MPLAB PM3 Device Programmer is a universal, CE compliant device programmer with programmable voltage verification at VDDMIN and VDDMAX for maximum reliability. It features a large LCD display (128 x 64) for menus and error messages, and a modular, detachable socket assembly to support various package types. The ICSP cable assembly is included as a standard item. In Stand-Alone mode, the MPLAB PM3 Device Programmer can read, verify and program PIC devices without a PC connection. It can also set code protection in this mode. The MPLAB PM3 connects to the host PC via an RS-232 or USB cable. The MPLAB PM3 has high-speed communications and optimized algorithms for quick programming of large memory devices, and incorporates an MMC card for file storage and data applications.

# dsPIC33EVXXXGM00X/10X FAMILY

---

## 29.11 Demonstration/Development Boards, Evaluation Kits, and Starter Kits

A wide variety of demonstration, development and evaluation boards for various PIC MCUs and dsPIC DSCs allows quick application development on fully functional systems. Most boards include prototyping areas for adding custom circuitry and provide application firmware and source code for examination and modification.

The boards support a variety of features, including LEDs, temperature sensors, switches, speakers, RS-232 interfaces, LCD displays, potentiometers and additional EEPROM memory.

The demonstration and development boards can be used in teaching environments, for prototyping custom circuits and for learning about various microcontroller applications.

In addition to the PICDEM™ and dsPICDEM™ demonstration/development board series of circuits, Microchip has a line of evaluation kits and demonstration software for analog filter design, KEELOQ® security ICs, CAN, IrDA®, PowerSmart battery management, SEEVAL® evaluation system, Sigma-Delta ADC, flow rate sensing, plus many more.

Also available are starter kits that contain everything needed to experience the specified device. This usually includes a single application and debug capability, all on one board.

Check the Microchip web page ([www.microchip.com](http://www.microchip.com)) for the complete list of demonstration, development and evaluation kits.

## 29.12 Third-Party Development Tools

Microchip also offers a great collection of tools from third-party vendors. These tools are carefully selected to offer good value and unique functionality.

- Device Programmers and Gang Programmers from companies, such as SoftLog and CCS
- Software Tools from companies, such as Gimpel and Trace Systems
- Protocol Analyzers from companies, such as Saleae and Total Phase
- Demonstration Boards from companies, such as MikroElektronika, Digilent® and Olimex
- Embedded Ethernet Solutions from companies, such as EZ Web Lynx, WIZnet and IPLogika®

# dsPIC33EVXXGM00X/10X FAMILY

## 30.0 ELECTRICAL CHARACTERISTICS

This section provides an overview of dsPIC33EVXXGM00X/10X family electrical characteristics. Additional information will be provided in future revisions of this document as it becomes available.

Absolute maximum ratings for the dsPIC33EVXXGM00X/10X family are listed below. Exposure to these maximum rating conditions for extended periods may affect device reliability. Functional operation of the device at these or any other conditions above the parameters indicated in the operation listings of this specification is not implied.

### Absolute Maximum Ratings<sup>(1)</sup>

|  |                 |
|--|-----------------|
| Ambient temperature under bias .....                           | -40°C to +125°C |
| Storage temperature .....                                      | -65°C to +160°C |
| Voltage on VDD with respect to VSS .....                       | -0.3V to +6.0V  |
| Voltage on VCAP with respect to VSS .....                      | 1.62V to 1.98V  |
| Maximum current out of VSS pin .....                           | 350 mA          |
| Maximum current into VDD pin <sup>(2)</sup> .....              | 350 mA          |
| Maximum current sunk by any I/O pin.....                       | 20 mA           |
| Maximum current sourced by I/O pin .....                       | 18 mA           |
| Maximum current sourced/sunk by all ports <sup>(2)</sup> ..... | 200 mA          |

**Note 1:** Stresses above those listed under “Absolute Maximum Ratings” may cause permanent damage to the device. This is a stress rating only and functional operation of the device at those or any other conditions above those indicated in the operational listings of this specification is not implied. Exposure to maximum rating conditions for extended periods may affect device reliability.

**2:** Maximum allowable current is a function of device maximum power dissipation (see [Table 30-2](#)).

# dsPIC33EVXXXGM00X/10X FAMILY

## 30.1 DC Characteristics

**TABLE 30-1: OPERATING MIPS vs. VOLTAGE**

| Characteristic | VDD Range<br>(in Volts)       | Temperature Range<br>(in °C) | Maximum MIPS                 |
|----------------|-------------------------------|------------------------------|------------------------------|
|                |                               |                              | dsPIC33EVXXXGM00X/10X Family |
| I-Temp         | 4.5V to 5.5V <sup>(1,2)</sup> | -40°C to +85°C               | 70                           |
| E-Temp         | 4.5V to 5.5V <sup>(1,2)</sup> | -40°C to +125°C              | 60                           |

**Note 1:** Device is functional at  $V_{BORMIN} < V_{DD} < V_{DDMIN}$ . Analog modules: ADC, op amp/comparator and comparator voltage reference will have degraded performance. Device functionality is tested but not characterized. Refer to Parameter **BO10** in [Table 30-12](#) for the minimum and maximum BOR values.

**2:** When BOR is enabled, the device will work from 4.7V to 5.5V.

**Note 1:** Customer operating voltage range is specified as: 4.5V to 5.5V.

**TABLE 30-2: THERMAL OPERATING CONDITIONS**

| Rating   | Symbol            | Min.                                | Typ. | Max. | Unit |
|--|-------------------|-------------------------------------|------|------|------|
| Industrial Temperature Devices:  |                   |                                     |      |      |      |
| Operating Junction Temperature Range   | TJ                | -40                                 | —    | +125 | °C   |
| Operating Ambient Temperature Range  | TA                | -40                                 | —    | +85  | °C   |
| Extended Temperature Devices:  |                   |                                     |      |      |      |
| Operating Junction Temperature Range   | TJ                | -40                                 | —    | +140 | °C   |
| Operating Ambient Temperature Range  | TA                | -40                                 | —    | +125 | °C   |
| Power Dissipation:<br>Internal Chip Power Dissipation:<br>$P_{INT} = V_{DD} \times (I_{DD} - \sum I_{OH})$<br>I/O Pin Power Dissipation:<br>$I/O = \sum (\{V_{DD} - V_{OH}\} \times I_{OH}) + \sum (V_{OL} \times I_{OL})$ | PD                | P <sub>INT</sub> + P <sub>I/O</sub> |      |      | W    |
| Maximum Allowed Power Dissipation  | PD <sub>MAX</sub> | $(T_J - T_A)/\theta_{JA}$           |      |      | W    |

**TABLE 30-3: THERMAL PACKAGING CHARACTERISTICS**

| Characteristic                                       | Symbol        | Typ. | Max. | Unit | Notes |
|--|---------------|------|------|------|-------|
| Package Thermal Resistance, 64-Pin QFN, 9x9x0.9 mm   | $\theta_{JA}$ | 28.0 | —    | °C/W | 1     |
| Package Thermal Resistance, 64-Pin TQFP, 10x10x1 mm  | $\theta_{JA}$ | 48.3 | —    | °C/W | 1     |
| Package Thermal Resistance, 44-Pin QFN, 8x8 mm       | $\theta_{JA}$ | 29.0 | —    | °C/W | 1     |
| Package Thermal Resistance, 44-Pin TQFP, 10x10x1 mm  | $\theta_{JA}$ | 49.8 | —    | °C/W | 1     |
| Package Thermal Resistance, 28-Pin QFN-S, 6x6x0.9 mm | $\theta_{JA}$ | 30.0 | —    | °C/W | 1     |
| Package Thermal Resistance, 28-Pin SOIC, 7.50 mm     | $\theta_{JA}$ | 69.7 | —    | °C/W | 1     |
| Package Thermal Resistance, 28-Pin SSOP, 5.30 mm     | $\theta_{JA}$ | 71.0 | —    | °C/W | 1     |
| Package Thermal Resistance, 28-Pin SPDIP, 300 mil    | $\theta_{JA}$ | 60.0 | —    | °C/W | 1     |

**Note 1:** Junction to ambient thermal resistance, Theta-JA ( $\theta_{JA}$ ) numbers are achieved by package simulations.

# dsPIC33EVXXGM00X/10X FAMILY

**TABLE 30-4: DC TEMPERATURE AND VOLTAGE SPECIFICATIONS**

| DC CHARACTERISTICS       |        |   | Standard Operating Conditions (see Note 3): 4.5V to 5.5V (unless otherwise stated)<br>Operating temperature -40°C ≤ TA ≤ +85°C for Industrial<br>-40°C ≤ TA ≤ +125°C for Extended |                     |      |       |   |
|--------------------------|--------|---|---|---------------------|------|-------|---|
| Param No.                | Symbol | Characteristic  | Min.  | Typ. <sup>(1)</sup> | Max. | Units | Conditions  |
| <b>Operating Voltage</b> |        |   |   |                     |      |       |   |
| DC10                     | VDD    | <b>Supply Voltage<sup>(3)</sup></b>                                     | VBOR  | —                   | 5.5  | V     |   |
| DC12                     | VDR    | <b>RAM Data Retention Voltage<sup>(2)</sup></b>                         | 1.8   | —                   | —    | V     |   |
| DC16                     | VPOR   | <b>VDD Start Voltage</b><br>to Ensure Internal<br>Power-on Reset Signal | —   | —                   | VSS  | V     |   |
| DC17                     | SVDD   | <b>VDD Rise Rate</b><br>to Ensure Internal<br>Power-on Reset Signal     | 1.0   | —                   | —    | V/ms  | 0V-5.0V in 5 ms                                   |
| DC18                     | VCORE  | <b>VDD Core</b><br>Internal Regulator Voltage                           | 1.62  | 1.8                 | 1.98 | V     | Voltage is dependent on load, temperature and VDD |

**Note 1:** Data in “Typ.” column is at 5.0V, +25°C unless otherwise stated.

**2:** This is the limit to which VDD may be lowered without losing RAM data.

**3:** VDD voltage must remain at VSS for a minimum of 200 μs to ensure POR.

**TABLE 30-5: FILTER CAPACITOR (CEFC) SPECIFICATIONS**

| Standard Operating Conditions (unless otherwise stated):<br>Operating temperature -40°C ≤ TA ≤ +85°C for Industrial<br>-40°C ≤ TA ≤ +125°C for Extended |        |  |      |      |      |       |  |
|---|--------|--|------|------|------|-------|--|
| Param No.   | Symbol | Characteristics                                | Min. | Typ. | Max. | Units | Comments   |
|   | CEFC   | External Filter Capacitor Value <sup>(1)</sup> | 4.7  | 10   | —    | μF    | Capacitor must have a low series resistance (< 1Ω) |

**Note 1:** Typical VCAP Voltage = 1.8 volts when VDD ≥ VDDMIN.

# dsPIC33EVXXXGM00X/10X FAMILY

**TABLE 30-6: DC CHARACTERISTICS: OPERATING CURRENT (IDD)**

| DC CHARACTERISTICS                           |                     |      | Standard Operating Conditions: 4.5V to 5.5V<br>(unless otherwise stated)<br>Operating temperature $-40^{\circ}\text{C} \leq T_A \leq +85^{\circ}\text{C}$ for Industrial<br>$-40^{\circ}\text{C} \leq T_A \leq +125^{\circ}\text{C}$ for Extended |            |                 |
|--|---------------------|------|---|------------|-----------------|
| Param.                                       | Typ. <sup>(2)</sup> | Max. | Units   | Conditions |                 |
| <b>Operating Current (IDD)<sup>(1)</sup></b> |                     |      |   |            |                 |
| DC20d  | 4.5                 | 5.5  | mA  | -40°C      | 5.0V<br>10 MIPS |
| DC20a  | 4.65                | 5.6  | mA  | +25°C      |                 |
| DC20b  | 4.85                | 6.0  | mA  | +85°C      |                 |
| DC20c  | 5.6                 | 7.2  | mA  | +125°C     |                 |
| DC22d  | 8.6                 | 10.6 | mA  | -40°C      | 5.0V<br>20 MIPS |
| DC22a  | 8.8                 | 10.8 | mA  | +25°C      |                 |
| DC22b  | 9.1                 | 11.1 | mA  | +85°C      |                 |
| DC22c  | 9.8                 | 12.6 | mA  | +125°C     |                 |
| DC23d  | 16.8                | 18.5 | mA  | -40°C      | 5.0V<br>40 MIPS |
| DC23a  | 17.2                | 19.0 | mA  | +25°C      |                 |
| DC23b  | 17.55               | 19.2 | mA  | +85°C      |                 |
| DC23c  | 18.3                | 21.0 | mA  | +125°C     |                 |
| DC24d  | 25.15               | 28.0 | mA  | -40°C      | 5.0V<br>60 MIPS |
| DC24a  | 25.5                | 28.0 | mA  | +25°C      |                 |
| DC24b  | 25.5                | 28.0 | mA  | +85°C      |                 |
| DC24c  | 25.55               | 28.5 | mA  | +125°C     |                 |
| DC25d  | 29.0                | 31.0 | mA  | -40°C      | 5.0V<br>70 MIPS |
| DC25a  | 28.5                | 31.0 | mA  | +25°C      |                 |
| DC25b  | 28.3                | 31.0 | mA  | +85°C      |                 |

**Note 1:** IDD is primarily a function of the operating voltage and frequency. Other factors, such as I/O pin loading and switching rate, oscillator type, internal code execution pattern and temperature, also have an impact on the current consumption. The test conditions for all IDD measurements are as follows:

- Oscillator is configured in EC mode and external clock is active, OSC1 is driven with external square wave from rail-to-rail (EC clock overshoot/undershoot < 250 mV required)
- CLKO is configured as an I/O input pin in the Configuration Word
- All I/O pins are configured as outputs and driving low
- $\overline{\text{MCLR}} = V_{\text{DD}}$ , WDT and FSCM are disabled
- CPU, SRAM, program memory and data memory are operational
- No peripheral modules are operating or being clocked (defined PMDx bits are all ones)
- CPU executing
 

```
while(1)
{
  NOP();
}
```

**2:** Data in "Typ." column is at 5.0V, +25°C unless otherwise stated.



# dsPIC33EVXXGM00X/10X FAMILY

**TABLE 30-7: DC CHARACTERISTICS: IDLE CURRENT (IDLE)**

| DC CHARACTERISTICS                       |                     |      | Standard Operating Conditions: 4.5V to 5.5V<br>(unless otherwise stated)<br>Operating temperature -40°C ≤ TA ≤ +85°C for Industrial<br>-40°C ≤ TA ≤ +125°C for Extended |            |                 |
|--|---------------------|------|---|------------|-----------------|
| Parameter No.                            | Typ. <sup>(2)</sup> | Max. | Units   | Conditions |                 |
| <b>Idle Current (IDLE)<sup>(1)</sup></b> |                     |      |   |            |                 |
| DC40d                                    | 1.25                | 2    | mA  | -40°C      | 5.0V<br>10 MIPS |
| DC40a                                    | 1.25                | 2    | mA  | +25°C      |                 |
| DC40b                                    | 1.5                 | 2.6  | mA  | +85°C      |                 |
| DC40c                                    | 1.5                 | 2.6  | mA  | +125°C     |                 |
| DC42d                                    | 2.3                 | 3    | mA  | -40°C      | 5.0V<br>20 MIPS |
| DC42a                                    | 2.3                 | 3    | mA  | +25°C      |                 |
| DC42b                                    | 2.6                 | 3.45 | mA  | +85°C      |                 |
| DC42c                                    | 2.6                 | 3.85 | mA  | +125°C     |                 |
| DC44d                                    | 6.9                 | 8    | mA  | -40°C      | 5.0V<br>70 MIPS |
| DC44a                                    | 6.9                 | 8    | mA  | +25°C      |                 |
| DC44b                                    | 7.25                | 8.6  | mA  | +85°C      |                 |

**Note 1:** Base Idle current (IDLE) is measured as follows:

- CPU core is off, oscillator is configured in EC mode and external clock is active, OSC1 is driven with external square wave from rail-to-rail (EC clock overshoot/undershoot < 250 mV required)
- CLKO is configured as an I/O input pin in the Configuration Word
- All I/O pins are configured as outputs and driving low
- $\overline{\text{MCLR}} = \text{VDD}$ , WDT and FSCM are disabled
- No peripheral modules are operating or being clocked (defined PMDx bits are all ones)
- The NVMSIDL bit (NVMCON<12>) = 1 (i.e., Flash regulator is set to standby while the device is in Idle mode)
- The VREGSF bit (RCON<11>) = 0 (i.e., Flash regulator is set to standby while the device is in Sleep mode)

**2:** Data in “Typ.” column is at 5.0V, +25°C unless otherwise stated.

# dsPIC33EVXXXGM00X/10X FAMILY

**TABLE 30-8: DC CHARACTERISTICS: POWER-DOWN CURRENT (IPD)**

| DC CHARACTERISTICS  |                     |      | Standard Operating Conditions: 4.5V to 5.5V<br>(unless otherwise stated)<br>Operating temperature -40°C ≤ TA ≤ +85°C for Industrial<br>-40°C ≤ TA ≤ +125°C for Extended |            |
|---|---------------------|------|---|------------|
| Parameter No.   | Typ. <sup>(2)</sup> | Max. | Units   | Conditions |
| <b>Power-Down Current (IPD) – dsPIC33EVXXXGM00X/10X<sup>(1)</sup></b> |                     |      |   |            |
| DC60d   | 9.25                | 30   | μA  | -40°C      |
| DC60a   | 15.75               | 35   | μA  | +25°C      |
| DC60b   | 67.75               | 250  | μA  | +85°C      |
| DC60c   | 270                 | 750  | μA  | +125°C     |
| DC61d   | 1                   | 7    | μA  | -40°C      |
| DC61a   | 1.25                | 8    | μA  | +25°C      |
| DC61b   | 3.5                 | 12   | μA  | +85°C      |
| DC61c   | 5                   | 15   | μA  | +125°C     |

**Note 1:** IPD (Sleep) current is measured as follows:

- CPU core is off, oscillator is configured in EC mode and external clock is active, OSC1 is driven with external square wave from rail-to-rail (EC clock overshoot/undershoot < 250 mV required)
- CLKO is configured as an I/O input pin in the Configuration Word
- All I/O pins are configured as outputs and driving low
- $\overline{\text{MCLR}} = V_{\text{DD}}$ , WDT and FSCM are disabled
- All peripheral modules are disabled (PMDx bits are all ones)
- The VREGS bit (RCON<8>) = 0 (i.e., core regulator is set to standby while the device is in Sleep mode)
- The VREGSF bit (RCON<11>) = 0 (i.e., Flash regulator is set to standby while the device is in Sleep mode)

**2:** Data in “Typ.” column is at 5.0V, +25°C unless otherwise stated.

**3:** The Δ current is the additional current consumed when the module is enabled. This current should be added to the base IPD current.

# dsPIC33EVXXGM00X/10X FAMILY

**TABLE 30-9: DC CHARACTERISTICS: DOZE CURRENT (IDOZE)**

| DC CHARACTERISTICS                        |                     |       | Standard Operating Conditions: 4.5V to 5.5V<br>(unless otherwise stated)<br>Operating temperature -40°C ≤ TA ≤ +85°C for Industrial<br>-40°C ≤ TA ≤ +125°C for Extended |       |            |      |         |
|---|---------------------|-------|---|-------|------------|------|---------|
| Parameter No.                             | Typ. <sup>(2)</sup> | Max.  | Doze Ratio  | Units | Conditions |      |         |
| <b>Doze Current (IDOZE)<sup>(1)</sup></b> |                     |       |   |       |            |      |         |
| DC73a                                     | 16.0                | 18.25 | 1:2   | mA    | -40°C      | 5.0V | 70 MIPS |
| DC73g                                     | 7.1                 | 8.0   | 1:128   | mA    |            |      |         |
| DC70a                                     | 16.25               | 18.5  | 1:2   | mA    | +25°C      | 5.0V | 70 MIPS |
| DC70g                                     | 7.3                 | 8.2   | 1:128   | mA    |            |      |         |
| DC71a                                     | 17.0                | 19.0  | 1:2   | mA    | +85°C      | 5.0V | 70 MIPS |
| DC71g                                     | 7.5                 | 8.9   | 1:128   | mA    |            |      |         |
| DC72a                                     | 17.75               | 19.95 | 1:2   | mA    | +125°C     | 5.0V | 60 MIPS |
| DC72g                                     | 8.25                | 9.32  | 1:128   | mA    |            |      |         |

**Note 1:** IDOZE is primarily a function of the operating voltage and frequency. Other factors, such as I/O pin loading and switching rate, oscillator type, internal code execution pattern and temperature, also have an impact on the current consumption. The test conditions for all IDOZE measurements are as follows:

- Oscillator is configured in EC mode and external clock is active, OSC1 is driven with external square wave from rail-to-rail (EC clock overshoot/undershoot < 250 mV required)
- CLKO is configured as an I/O input pin in the Configuration Word
- All I/O pins are configured as outputs and driving low
- MCLR = VDD, WDT and FSCM are disabled
- CPU, SRAM, program memory and data memory are operational
- No peripheral modules are operating or being clocked (defined PMDx bits are all ones)
- CPU executing
 

```
while(1)
{
NOP();
}
```

**2:** Data in “Typ.” column is at 5.0V, +25°C unless otherwise stated.

# dsPIC33EVXXGM00X/10X FAMILY

TABLE 30-10: DC CHARACTERISTICS: I/O PIN INPUT SPECIFICATIONS

| DC CHARACTERISTICS |                          |   | Standard Operating Conditions: 4.5V to 5.5V<br>(unless otherwise stated)<br>Operating temperature $-40^{\circ}\text{C} \leq T_A \leq +85^{\circ}\text{C}$ for Industrial<br>$-40^{\circ}\text{C} \leq T_A \leq +125^{\circ}\text{C}$ for Extended |                     |                     |       |  |
|--------------------|--------------------------|---|---|---------------------|---------------------|-------|--|
| Param No.          | Symbol                   | Characteristic  | Min.  | Typ. <sup>(1)</sup> | Max.                | Units | Conditions   |
| DI10               | V <sub>IL</sub>          | <b>Input Low Voltage</b><br>I/O Pins                                      | V <sub>SS</sub>   | —                   | 0.2 V <sub>DD</sub> | V     |  |
| DI20               | V <sub>IH</sub>          | <b>Input High Voltage</b><br>I/O Pins                                     | 0.75 V <sub>DD</sub>  | —                   | 5.5                 | V     |  |
| DI30               | ICNPU                    | <b>Change Notification Pull-up Current</b>                                | 200   | 375                 | 600                 | μA    | V <sub>DD</sub> = 5.0V, V <sub>PIN</sub> = V <sub>SS</sub>   |
| DI31               | ICNPD                    | <b>Change Notification Pull-Down Current<sup>(7)</sup></b>                | 175   | 400                 | 625                 | μA    | V <sub>DD</sub> = 5.0V, V <sub>PIN</sub> = V <sub>DD</sub>   |
| DI50               | I <sub>IL</sub>          | <b>Input Leakage Current<sup>(2,3)</sup></b><br>I/O Pins                  | -100  | —                   | 100                 | nA    | V <sub>SS</sub> ≤ V <sub>PIN</sub> ≤ V <sub>DD</sub> ,<br>pin at high-impedance  |
| DI55               | $\overline{\text{MCLR}}$ |   | -700  | —                   | 700                 | nA    | V <sub>SS</sub> ≤ V <sub>PIN</sub> ≤ V <sub>DD</sub>   |
| DI56               | OSC1                     |   | -200  | —                   | 200                 | nA    | V <sub>SS</sub> ≤ V <sub>PIN</sub> ≤ V <sub>DD</sub> ,<br>XT and HS modes  |
| DI60a              | I <sub>ICL</sub>         | <b>Input Low Injection Current</b>  | 0   | —                   | -5 <sup>(4,6)</sup> |       | All pins except V <sub>DD</sub> , V <sub>SS</sub> ,<br>AV <sub>DD</sub> , AV <sub>SS</sub> , $\overline{\text{MCLR}}$ ,<br>V <sub>CAP</sub> and RB7  |
| DI60b              | I <sub>ICH</sub>         | <b>Input High Injection Current</b>                                       | 0   | —                   | +5 <sup>(5,6)</sup> | mA    | All pins except V <sub>DD</sub> , V <sub>SS</sub> ,<br>AV <sub>DD</sub> , AV <sub>SS</sub> , $\overline{\text{MCLR}}$ ,<br>V <sub>CAP</sub> , RB7 and all 5V<br>tolerant pins <sup>(5)</sup> |
| DI60c              | ∑I <sub>ICT</sub>        | <b>Total Input Injection Current</b><br>(sum of all I/O and control pins) | -20 <sup>(7)</sup>  | —                   | +20 <sup>(7)</sup>  |       | Absolute instantaneous<br>sum of all ± input<br>injection currents from all<br>I/O pins<br>(   I <sub>ICL</sub>   +   I <sub>ICH</sub>   ) ≤ ∑I <sub>ICT</sub>                               |

**Note 1:** Data in “Typ.” column is at 5.0V, +25°C unless otherwise stated.

**2:** The leakage current on the  $\overline{\text{MCLR}}$  pin is strongly dependent on the applied voltage level. The specified levels represent normal operating conditions. Higher leakage current can be measured at different input voltages.

**3:** Negative current is defined as current sourced by the pin.

**4:** V<sub>IL</sub> source < (V<sub>SS</sub> – 0.3). Characterized but not tested.

**5:** Digital 5V tolerant pins cannot tolerate any “positive” input injection current from input sources > 5.5V.

**6:** Non-zero injection currents can affect the ADC results by approximately 4-6 counts.

**7:** Any number and/or combination of I/O pins not excluded under I<sub>ICL</sub> or I<sub>ICH</sub> conditions are permitted, provided the mathematical “absolute instantaneous” sum of the input injection currents from all pins do not exceed the specified limit. Characterized but not tested.

# dsPIC33EVXXGM00X/10X FAMILY

**TABLE 30-11: DC CHARACTERISTICS: I/O PIN OUTPUT SPECIFICATIONS**

| DC CHARACTERISTICS |        |  | Standard Operating Conditions: 4.5V to 5.5V<br>(unless otherwise stated)<br>Operating temperature -40°C ≤ TA ≤ +85°C for Industrial<br>-40°C ≤ TA ≤ +125°C for Extended |      |      |       |                            |
|--------------------|--------|--|---|------|------|-------|----------------------------|
| Param.             | Symbol | Characteristic   | Min. <sup>(1)</sup>   | Typ. | Max. | Units | Conditions                 |
| DO16               | VOL    | <b>Output Low Voltage</b><br>4x Sink Driver Pins <sup>(2)</sup>  | —   | —    | 0.4  | V     | IOL = 8.8 mA, VDD = 5.0V   |
| DO10               | VOL    | <b>Output Low Voltage</b><br>8x Sink Driver Pins <sup>(3)</sup>  | —   | —    | 0.4  | V     | IOL = 10.8 mA, VDD = 5.0V  |
| DO26               | VOH    | <b>Output High Voltage</b><br>4x Sink Driver Pins <sup>(2)</sup> | VDD – 0.6   | —    | —    | V     | IOH = -8.3 mA, VDD = 5.0V  |
| DO20               | VOH    | <b>Output High Voltage</b><br>8x Sink Driver Pins                | VDD – 0.6   | —    | —    | V     | IOH = -12.3 mA, VDD = 5.0V |

- Note 1:** Parameters are characterized, but not tested.  
**Note 2:** Includes all I/O pins that are not 8x sink driver pins (see below).  
**Note 3:** Includes pins, such as RA3, RA4 and RB<15:10> for 28-pin devices, RA3, RA4, RA9 and RB<15:10> for 44-pin devices and RA4, RA7, RA9, RB<15:10> and RC15 for 64-pin devices.

**TABLE 30-12: ELECTRICAL CHARACTERISTICS: BOR**

| DC CHARACTERISTICS |        |  | Standard Operating Conditions: 4.5V to 5.5V<br>(unless otherwise stated)<br>Operating temperature -40°C ≤ TA ≤ +85°C for Industrial<br>-40°C ≤ TA ≤ +125°C for Extended |       |      |       |   |
|--------------------|--------|--|---|-------|------|-------|---|
| Param No.          | Symbol | Characteristic                             | Min. <sup>(1)</sup>   | Typ.  | Max. | Units | Conditions  |
| BO10               | VBOR   | BOR Event on VDD Transition<br>High-to-Low | 4.15  | 4.285 | 4.4  | V     | VDD (see <a href="#">Note 2</a> , <a href="#">Note 3</a> and <a href="#">Note 4</a> ) |

- Note 1:** Parameters are for design guidance only and are not tested in manufacturing.  
**Note 2:** The VBOR specification is relative to the VDD.  
**Note 3:** The device is functional at VBORMIN < VDD < VDDMIN. Analog modules: ADC, op amp/comparator and comparator voltage reference will have degraded performance. Device functionality is tested but not characterized.  
**Note 4:** The start-up VDD must rise above 4.6V.

# dsPIC33EVXXGM00X/10X FAMILY

**TABLE 30-13: DC CHARACTERISTICS: PROGRAM MEMORY**

| DC CHARACTERISTICS          |        |                                   | Standard Operating Conditions: 4.5V to 5.5V<br>(unless otherwise stated)<br>Operating temperature -40°C ≤ TA ≤ +85°C for Industrial<br>-40°C ≤ TA ≤ +125°C for Extended |                     |       |       |  |
|-----------------------------|--------|-----------------------------------|---|---------------------|-------|-------|--|
| Param No.                   | Symbol | Characteristic                    | Min.  | Typ. <sup>(1)</sup> | Max.  | Units | Conditions   |
| <b>Program Flash Memory</b> |        |                                   |   |                     |       |       |  |
| D130                        | EP     | Cell Endurance                    | 10,000  | —                   | —     | E/W   | -40°C to +125°C  |
| D131                        | VPR    | VDD for Read                      | 4.5   | —                   | 5.5   | V     |  |
| D132b                       | VPEW   | VDD for Self-Timed Write          | 4.5   | —                   | 5.5   | V     |  |
| D134                        | TRETD  | Characteristic Retention          | 20  | —                   | —     | Year  | Provided no other specifications are violated, -40°C to +125°C     |
| D135                        | IDDP   | Supply Current During Programming | —   | 10                  | —     | mA    |  |
| D136a                       | TRW    | Row Write Cycle Time              | 0.657   | —                   | 0.691 | ms    | TRW = 4965 FRC cycles, TA = +85°C (see <a href="#">Note 2</a> )    |
| D136b                       | TRW    | Row Write Cycle Time              | 0.651   | —                   | 0.698 | ms    | TRW = 4965 FRC cycles, TA = +125°C (see <a href="#">Note 2</a> )   |
| D137a                       | TPE    | Page Erase Time                   | 19.44   | —                   | 20.44 | ms    | TPE = 146893 FRC cycles, TA = +85°C (see <a href="#">Note 2</a> )  |
| D137b                       | TPE    | Page Erase Time                   | 19.24   | —                   | 20.65 | ms    | TPE = 146893 FRC cycles, TA = +125°C (see <a href="#">Note 2</a> ) |
| D138a                       | Tww    | Word Write Cycle Time             | 45.78   | —                   | 48.15 | µs    | Tww = 346 FRC cycles, TA = +85°C (see <a href="#">Note 2</a> )     |
| D138b                       | Tww    | Word Write Cycle Time             | 45.33   | —                   | 48.64 | µs    | Tww = 346 FRC cycles, TA = +125°C (see <a href="#">Note 2</a> )    |

**Note 1:** Data in “Typ.” column is at 5.0V, +25°C unless otherwise stated.

**2:** Other conditions: FRC = 7.3728 MHz, TUN<5:0> = b' 0111111 (for Min), TUN<5:0> = b' 100000 (for Max). This parameter depends on the FRC accuracy (see [Table 30-20](#)) and the value of the FRC Oscillator Tuning register.

**TABLE 30-14: ELECTRICAL CHARACTERISTICS: INTERNAL BAND GAP REFERENCE VOLTAGE**

| DC CHARACTERISTICS |        |                                     | Standard Operating Conditions: 4.5V to 5.5V<br>(unless otherwise stated)<br>Operating temperature -40°C ≤ TA ≤ +85°C for Industrial<br>-40°C ≤ TA ≤ +125°C for Extended |      |      |       |            |
|--------------------|--------|-------------------------------------|---|------|------|-------|------------|
| Param No.          | Symbol | Characteristic                      | Min.  | Typ. | Max. | Units | Conditions |
| DVR10              | VBG    | Internal Band Gap Reference Voltage | 1.14  | 1.2  | 1.26 | V     |            |

# dsPIC33EVXXXGM00X/10X FAMILY

## 30.2 AC Characteristics and Timing Parameters

This section defines the dsPIC33EVXXXGM00X/10X family AC characteristics and timing parameters.

**TABLE 30-15: TEMPERATURE AND VOLTAGE SPECIFICATIONS – AC**

|                           |  |
|---------------------------|--|
| <b>AC CHARACTERISTICS</b> | <p><b>Standard Operating Conditions: 4.5V to 5.5V (unless otherwise stated)</b></p> <p>Operating temperature <math>-40^{\circ}\text{C} \leq T_A \leq +85^{\circ}\text{C}</math> for Industrial<br/> <math>-40^{\circ}\text{C} \leq T_A \leq +125^{\circ}\text{C}</math> for Extended</p> <p>Operating voltage <math>V_{DD}</math> range as described in <a href="#">Section 30.1 “DC Characteristics”</a>.</p> |
|---------------------------|--|

**FIGURE 30-1: LOAD CONDITIONS FOR DEVICE TIMING SPECIFICATIONS**



**TABLE 30-16: CAPACITIVE LOADING REQUIREMENTS ON OUTPUT PINS**

| Param No. | Symbol | Characteristic        | Min. | Typ. | Max. | Units | Conditions  |
|-----------|--------|-----------------------|------|------|------|-------|---|
| DO50      | Cosco  | OSC2 Pin              | —    | —    | 15   | pF    | In XT and HS modes, when external clock is used to drive OSC1 |
| DO56      | Cio    | All I/O Pins and OSC2 | —    | —    | 50   | pF    | EC mode   |
| DO58      | CB     | SCLx, SDAx            | —    | —    | 400  | pF    | In I <sup>2</sup> C mode                                      |

# dsPIC33EVXXXGM00X/10X FAMILY

**FIGURE 30-2: EXTERNAL CLOCK TIMING**



**TABLE 30-17: EXTERNAL CLOCK TIMING REQUIREMENTS**

| AC CHARACTERISTICS |               |  | Standard Operating Conditions: 4.5V to 5.5V<br>(unless otherwise stated)<br>Operating temperature -40°C ≤ TA ≤ +85°C for Industrial<br>-40°C ≤ TA ≤ +125°C for Extended |                     |              |            |                               |
|--------------------|---------------|--|---|---------------------|--------------|------------|-------------------------------|
| Param No.          | Sym           | Characteristic   | Min.  | Typ. <sup>(1)</sup> | Max.         | Units      | Conditions                    |
| OS10               | FIN           | External CLKI Frequency<br>(External clocks allowed only<br>in EC and ECPLL modes) | DC  | —                   | 40           | MHz        | EC                            |
|                    |               | Oscillator Crystal Frequency   | 3.5<br>10   | —<br>—              | 10<br>25     | MHz<br>MHz | XT<br>HS                      |
| OS20               | Tosc          | Tosc = 1/Fosc  | 12.5  | —                   | DC           | ns         | TA = +125°C                   |
| OS25               | Tcy           | Instruction Cycle Time <sup>(2)</sup>  | 25  | —                   | DC           | ns         | TA = +125°C                   |
| OS30               | TosL,<br>TosH | External Clock in (OSC1)<br>High or Low Time                                       | 0.375 x Tosc  | —                   | 0.625 x Tosc | ns         | EC                            |
| OS31               | TosR,<br>TosF | External Clock in (OSC1)<br>Rise or Fall Time                                      | —   | —                   | 20           | ns         | EC                            |
| OS40               | TckR          | CLKO Rise Time <sup>(3)</sup>  | —   | 5.2                 | —            | ns         |                               |
| OS41               | TckF          | CLKO Fall Time <sup>(3)</sup>  | —   | 5.2                 | —            | ns         |                               |
| OS42               | GM            | External Oscillator<br>Transconductance <sup>(4)</sup>                             | —   | 12                  | —            | mA/V       | HS, VDD = 5.0V,<br>TA = +25°C |
|                    |               |  | —   | 6                   | —            | mA/V       | XT, VDD = 5.0V,<br>TA = +25°C |

**Note 1:** Data in “Typ.” column is at 5.0V, +25°C unless otherwise stated.

**2:** Instruction cycle period (Tcy) equals two times the input oscillator time base period. All specified values are based on characterization data for that particular oscillator type, under standard operating conditions, with the device executing code. Exceeding these specified limits may result in an unstable oscillator operation and/or higher than expected current consumption. All devices are tested to operate at “Minimum” values with an external clock applied to the OSC1 pin. When an external clock input is used, the “Maximum” cycle time limit is “DC” (no clock) for all devices.

**3:** Measurements are taken in EC mode. The CLKO signal is measured on the OSC2 pin.

**4:** This parameter is characterized but not tested in manufacturing.



# dsPIC33EVXXGM00X/10X FAMILY

**TABLE 30-18: PLL CLOCK TIMING SPECIFICATIONS**

| AC CHARACTERISTICS |        |   | Standard Operating Conditions: 4.5V to 5.5V (unless otherwise stated)<br>Operating temperature -40°C ≤ TA ≤ +85°C for Industrial<br>-40°C ≤ TA ≤ +125°C for Extended |                     |      |       |                    |
|--------------------|--------|---|--|---------------------|------|-------|--------------------|
| Param No.          | Symbol | Characteristic  | Min.   | Typ. <sup>(1)</sup> | Max. | Units | Conditions         |
| OS50               | FPLLI  | PLL Voltage Controlled Oscillator (VCO) Input Frequency Range | 0.8  | —                   | 8.0  | MHz   | ECPLL, XTPLL modes |
| OS51               | FSYS   | On-Chip VCO System Frequency                                  | 120  | —                   | 340  | MHz   |                    |
| OS52               | TLOCK  | PLL Start-up Time (Lock Time)                                 | 0.9  | 1.5                 | 3.1  | ms    |                    |
| OS53               | DCLK   | CLKO Stability (Jitter) <sup>(2)</sup>                        | -3   | 0.5                 | 3    | %     |                    |

**Note 1:** Data in “Typ.” column is at 5.0V, +25°C unless otherwise stated. Parameters are for design guidance only and are not tested.

**2:** This jitter specification is based on clock cycle-by-clock cycle measurements. To get the effective jitter for individual time bases or communication clocks used by the application, use the following formula:

$$\text{Effective Jitter} = \frac{DCLK}{\sqrt{\frac{FOSC}{\text{Time Base or Communication Clock}}}}$$

For example, if Fosc = 120 MHz and the SPI bit rate = 10 MHz, the effective jitter is as follows:

$$\text{Effective Jitter} = \frac{DCLK}{\sqrt{\frac{120}{10}}} = \frac{DCLK}{\sqrt{12}} = \frac{DCLK}{3.464}$$

**TABLE 30-19: INTERNAL FRC ACCURACY**

| AC CHARACTERISTICS  |                | Standard Operating Conditions: 4.5V to 5.5V (unless otherwise stated)<br>Operating temperature -40°C ≤ TA ≤ +85°C for Industrial<br>-40°C ≤ TA ≤ +125°C for Extended |      |      |       |                     |                |
|---|----------------|--|------|------|-------|---------------------|----------------|
| Param No.   | Characteristic | Min.   | Typ. | Max. | Units | Conditions          |                |
| <b>Internal FRC Accuracy @ FRC Frequency = 7.37 MHz<sup>(1)</sup></b> |                |  |      |      |       |                     |                |
| F20a  | FRC            | -1   | 0.5  | +1   | %     | -40°C ≤ TA ≤ +85°C  | VDD = 4.5-5.5V |
| F20b  | FRC            | -2   | 1    | +2   | %     | -40°C ≤ TA ≤ +125°C | VDD = 4.5-5.5V |

**Note 1:** Frequency calibrated at +25°C and 5.0V. TUN<5:0> bits can be used to compensate for temperature drift.

**TABLE 30-20: INTERNAL LPRC ACCURACY**

| AC CHARACTERISTICS                     |                | Standard Operating Conditions: 4.5V to 5.5V (unless otherwise stated)<br>Operating temperature -40°C ≤ TA ≤ +85°C for Industrial<br>-40°C ≤ TA ≤ +125°C for Extended |      |      |       |                     |                |
|--|----------------|--|------|------|-------|---------------------|----------------|
| Param No.                              | Characteristic | Min.   | Typ. | Max. | Units | Conditions          |                |
| <b>LPRC @ 32.768 kHz<sup>(1)</sup></b> |                |  |      |      |       |                     |                |
| F21a                                   | LPRC           | -15  | 5    | +15  | %     | -40°C ≤ TA ≤ +85°C  | VDD = 4.5-5.5V |
| F21b                                   | LPRC           | -30  | 10   | +30  | %     | -40°C ≤ TA ≤ +125°C | VDD = 4.5-5.5V |

**Note 1:** Change of LPRC frequency as VDD changes.

# dsPIC33EVXXXGM00X/10X FAMILY

**FIGURE 30-3: I/O TIMING CHARACTERISTICS**



**TABLE 30-21: I/O TIMING REQUIREMENTS**

| AC CHARACTERISTICS |        |                                   | Standard Operating Conditions: 4.5V to 5.5V<br>(unless otherwise stated)<br>Operating temperature $-40^{\circ}\text{C} \leq T_A \leq +85^{\circ}\text{C}$ for Industrial<br>$-40^{\circ}\text{C} \leq T_A \leq +125^{\circ}\text{C}$ for Extended |                     |      |       |            |
|--------------------|--------|-----------------------------------|---|---------------------|------|-------|------------|
| Param No.          | Symbol | Characteristic                    | Min.  | Typ. <sup>(1)</sup> | Max. | Units | Conditions |
| DO31               | TioR   | Port Output Rise Time             | —   | 5                   | 10   | ns    |            |
| DO32               | TioF   | Port Output Fall Time             | —   | 5                   | 10   | ns    |            |
| DI35               | TINP   | INTx Pin High or Low Time (input) | 20  | —                   | —    | ns    |            |
| DI40               | TRBP   | CNx High or Low Time (input)      | 2   | —                   | —    | Tcy   |            |

**Note 1:** Data in "Typ." column is at 5.0V, +25°C unless otherwise stated.

**FIGURE 30-4: BOR AND MASTER CLEAR RESET TIMING CHARACTERISTICS**



# dsPIC33EVXXGM00X/10X FAMILY

**FIGURE 30-5: POWER-ON RESET TIMING CHARACTERISTICS**



# dsPIC33EVXXGM00X/10X FAMILY

**TABLE 30-22: RESET, WATCHDOG TIMER, OSCILLATOR START-UP TIMER AND POWER-UP TIMER TIMING REQUIREMENTS**

| AC CHARACTERISTICS |           |  | Standard Operating Conditions: 4.5V to 5.5V<br>(unless otherwise stated)<br>Operating temperature $-40^{\circ}\text{C} \leq T_A \leq +85^{\circ}\text{C}$ for Industrial<br>$-40^{\circ}\text{C} \leq T_A \leq +125^{\circ}\text{C}$ for Extended |                       |      |       |  |
|--------------------|-----------|--|---|-----------------------|------|-------|--|
| Param No.          | Symbol    | Characteristic <sup>(1)</sup>                            | Min.  | Typ. <sup>(2)</sup>   | Max. | Units | Conditions   |
| SY00               | TPU       | Power-up Period  | —   | 400                   | 600  | μs    |  |
| SY10               | TOST      | Oscillator Start-up Time                                 | —   | 1024 T <sub>osc</sub> | —    | —     | T <sub>osc</sub> = OSC1 period   |
| SY11               | TPWRT     | Power-up Timer Period                                    | —   | 1                     | —    | ms    | Using LPRC parameters indicated in F21a/F21b (see Table 30-20)   |
| SY12               | TWDT      | Watchdog Timer Time-out Period                           | 0.8   | —                     | 1.2  | ms    | WDTPRE = 0, WDTPS<3:0> = 0000, using LPRC tolerances indicated in F21a/F21b (see Table 30-20) at +85°C |
|                    |           |  | 3.2   | —                     | 4.8  | ms    | WDTPRE = 1, WDTPS<3:0> = 0000, using LPRC tolerances indicated in F21a/F21b (see Table 30-20) at +85°C |
| SY13               | TIOZ      | I/O High-Impedance from MCLR Low or Watchdog Timer Reset | 0.68  | 0.72                  | 1.2  | μs    |  |
| SY20               | TMCLR     | MCLR Pulse Width (low)                                   | 2   | —                     | —    | μs    |  |
| SY30               | TBOR      | BOR Pulse Width (low)                                    | 1   | —                     | —    | ms    |  |
| SY35               | TFSCM     | Fail-Safe Clock Monitor Delay                            | —   | 500                   | 900  | μs    | -40°C to +85°C   |
| SY36               | TVREG     | Voltage Regulator Standby-to-Active mode Transition Time | —   | —                     | 30   | μs    |  |
| SY37               | TOSCDFRC  | FRC Oscillator Start-up Delay                            | 46  | 48                    | 54   | μs    |  |
| SY38               | TOSCDLPRC | LPRC Oscillator Start-up Delay                           | —   | —                     | 70   | μs    |  |

**Note 1:** These parameters are characterized but not tested in manufacturing.

**2:** Data in “Typ.” column is at 5.0V, +25°C unless otherwise stated.

# dsPIC33EVXXGM00X/10X FAMILY

**FIGURE 30-6: TIMER1-TIMER5 EXTERNAL CLOCK TIMING CHARACTERISTICS**



**Note:** Refer to [Figure 30-1](#) for load conditions.

**TABLE 30-23: TIMER1 EXTERNAL CLOCK TIMING REQUIREMENTS<sup>(1)</sup>**

| AC CHARACTERISTICS |           |  | Standard Operating Conditions: 4.5V to 5.5V<br>(unless otherwise stated)<br>Operating temperature $-40^{\circ}\text{C} \leq T_A \leq +85^{\circ}\text{C}$ for Industrial<br>$-40^{\circ}\text{C} \leq T_A \leq +125^{\circ}\text{C}$ for Extended |   |      |                    |       |  |
|--------------------|-----------|--|---|---|------|--------------------|-------|--|
| Param No.          | Symbol    | Characteristic <sup>(2)</sup>  |   | Min.  | Typ. | Max.               | Units | Conditions   |
| TA10               | TtxH      | T1CK High Time   | Synchronous mode  | Greater of:<br>20 or<br>$(T_{CY} + 20)/N$   | —    | —                  | ns    | Must also meet Parameter TA15, N = Prescaler Value (1, 8, 64, 256) |
|                    |           |  | Asynchronous mode   | 35  | —    | —                  | ns    |  |
| TA11               | TtxL      | T1CK Low Time  | Synchronous mode  | Greater of:<br>20 or<br>$(T_{CY} + 20)/N$   | —    | —                  | ns    | Must also meet Parameter TA15, N = Prescaler Value (1, 8, 64, 256) |
|                    |           |  | Asynchronous mode   | 10  | —    | —                  | ns    |  |
| TA15               | TtxP      | T1CK Input Period  | Synchronous mode  | Greater of:<br>40 or<br>$(2 T_{CY} + 40)/N$ | —    | —                  | ns    | N = Prescaler Value (1, 8, 64, 256)                                |
| OS60               | Ft1       | T1CK Oscillator Input Frequency Range (oscillator enabled by setting TCS (T1CON<1>) bit) |   | DC  | —    | 50                 | kHz   |  |
| TA20               | TCKEXTMRL | Delay from External T1CK Clock Edge to Timer Increment                                   |   | $0.75 T_{CY} + 40$                          | —    | $1.75 T_{CY} + 40$ | ns    |  |

**Note 1:** Timer1 is a Type A.

**Note 2:** These parameters are characterized but not tested in manufacturing.

# dsPIC33EVXXGM00X/10X FAMILY

**TABLE 30-24: TIMER2 AND TIMER4 (TYPE B TIMER) EXTERNAL CLOCK TIMING REQUIREMENTS**

| AC CHARACTERISTICS |            |  |                  | Standard Operating Conditions: 4.5V to 5.5V<br>(unless otherwise stated)<br>Operating temperature -40°C ≤ TA ≤ +85°C for Industrial<br>-40°C ≤ TA ≤ +125°C for Extended |      |               |       |  |
|--------------------|------------|--|------------------|---|------|---------------|-------|--|
| Param No.          | Symbol     | Characteristic <sup>(1)</sup>                          |                  | Min.  | Typ. | Max.          | Units | Conditions   |
| TB10               | TtxH       | TxCK High Time   | Synchronous mode | Greater of:<br>20 or<br>(Tcy + 20)/N  | —    | —             | ns    | Must also meet Parameter TB15, N = Prescaler Value (1, 8, 64, 256) |
| TB11               | TtxL       | TxCK Low Time  | Synchronous mode | Greater of:<br>20 or<br>(Tcy + 20)/N  | —    | —             | ns    | Must also meet Parameter TB15, N = Prescaler Value (1, 8, 64, 256) |
| TB15               | TtxP       | TxCK Input Period                                      | Synchronous mode | Greater of:<br>40 or<br>(2 Tcy + 40)/N  | —    | —             | ns    | N = Prescaler Value (1, 8, 64, 256)                                |
| TB20               | TCKEXT-MRL | Delay from External TxCK Clock Edge to Timer Increment |                  | 0.75 Tcy + 40   | —    | 1.75 Tcy + 40 | ns    |  |

**Note 1:** These parameters are characterized but not tested in manufacturing.

**TABLE 30-25: TIMER3 AND TIMER5 (TYPE C TIMER) EXTERNAL CLOCK TIMING REQUIREMENTS**

| AC CHARACTERISTICS |            |  |                             | Standard Operating Conditions: 4.5V to 5.5V<br>(unless otherwise stated)<br>Operating temperature -40°C ≤ TA ≤ +85°C for Industrial<br>-40°C ≤ TA ≤ +125°C for Extended |      |               |       |                                     |
|--------------------|------------|--|-----------------------------|---|------|---------------|-------|-------------------------------------|
| Param No.          | Symbol     | Characteristic <sup>(1)</sup>                          |                             | Min.  | Typ. | Max.          | Units | Conditions                          |
| TC10               | TtxH       | TxCK High Time   | Synchronous                 | Tcy + 20  | —    | —             | ns    | Must also meet Parameter TC15       |
| TC11               | TtxL       | TxCK Low Time  | Synchronous                 | Tcy + 20  | —    | —             | ns    | Must also meet Parameter TC15       |
| TC15               | TtxP       | TxCK Input Period                                      | Synchronous, with Prescaler | 2 Tcy + 40  | —    | —             | ns    | N = Prescaler Value (1, 8, 64, 256) |
| TC20               | TCKEXT-MRL | Delay from External TxCK Clock Edge to Timer Increment |                             | 0.75 Tcy + 40   | —    | 1.75 Tcy + 40 | ns    |                                     |

**Note 1:** These parameters are characterized but not tested in manufacturing.

# dsPIC33EVXXGM00X/10X FAMILY

**FIGURE 30-7: INPUT CAPTURE x (ICx) TIMING CHARACTERISTICS**



**TABLE 30-26: INPUT CAPTURE x (ICx) TIMING REQUIREMENTS**

| AC CHARACTERISTICS |        |                                | Standard Operating Conditions: 4.5V to 5.5V<br>(unless otherwise stated)<br>Operating temperature $-40^{\circ}\text{C} \leq T_A \leq +85^{\circ}\text{C}$ for Industrial<br>$-40^{\circ}\text{C} \leq T_A \leq +125^{\circ}\text{C}$ for Extended |      |       |                                  |
|--------------------|--------|--------------------------------|---|------|-------|----------------------------------|
| Param. No.         | Symbol | Characteristics <sup>(1)</sup> | Min.  | Max. | Units | Conditions                       |
| IC10               | TccL   | ICx Input Low Time             | Greater of:<br>12.5 + 25 or<br>(0.5 Tcy/N) + 25   | —    | ns    | Must also meet<br>Parameter IC15 |
| IC11               | TccH   | ICx Input High Time            | Greater of:<br>12.5 + 25 or<br>(0.5 Tcy/N) + 25   | —    | ns    | Must also meet<br>Parameter IC15 |
| IC15               | TccP   | ICx Input Period               | Greater of:<br>25 + 50 or<br>(1 Tcy/N) + 50   | —    | ns    |                                  |

N = Prescaler Value (1, 4, 16)

**Note 1:** These parameters are characterized but not tested in manufacturing.

# dsPIC33EVXXXGM00X/10X FAMILY

**FIGURE 30-8: OUTPUT COMPARE x (OCx) TIMING CHARACTERISTICS**



**TABLE 30-27: OUTPUT COMPARE x (OCx) TIMING REQUIREMENTS**

| AC CHARACTERISTICS |        |                               | Standard Operating Conditions: 4.5V to 5.5V<br>(unless otherwise stated)<br>Operating temperature $-40^{\circ}\text{C} \leq T_A \leq +85^{\circ}\text{C}$ for Industrial<br>$-40^{\circ}\text{C} \leq T_A \leq +125^{\circ}\text{C}$ for Extended |      |      |       |                    |
|--------------------|--------|-------------------------------|---|------|------|-------|--------------------|
| Param No.          | Symbol | Characteristic <sup>(1)</sup> | Min.  | Typ. | Max. | Units | Conditions         |
| OC10               | TccF   | OCx Output Fall Time          | —   | —    | —    | ns    | See Parameter DO32 |
| OC11               | TccR   | OCx Output Rise Time          | —   | —    | —    | ns    | See Parameter DO31 |

**Note 1:** These parameters are characterized but not tested in manufacturing.

**FIGURE 30-9: OCx/PWMx MODULE TIMING CHARACTERISTICS**



**TABLE 30-28: OCx/PWMx MODE TIMING REQUIREMENTS**

| AC CHARACTERISTICS |        |                                | Standard Operating Conditions: 4.5V to 5.5V<br>(unless otherwise stated)<br>Operating temperature $-40^{\circ}\text{C} \leq T_A \leq +85^{\circ}\text{C}$ for Industrial<br>$-40^{\circ}\text{C} \leq T_A \leq +125^{\circ}\text{C}$ for Extended |      |               |       |            |
|--------------------|--------|--------------------------------|---|------|---------------|-------|------------|
| Param No.          | Symbol | Characteristic <sup>(1)</sup>  | Min.  | Typ. | Max.          | Units | Conditions |
| OC15               | TFD    | Fault Input to PWMx I/O Change | —   | —    | $T_{CY} + 20$ | ns    |            |
| OC20               | TFLT   | Fault Input Pulse Width        | $T_{CY} + 20$   | —    | —             | ns    |            |

**Note 1:** These parameters are characterized but not tested in manufacturing.



# dsPIC33EVXXGM00X/10X FAMILY

**FIGURE 30-10: HIGH-SPEED PWMx MODULE FAULT TIMING CHARACTERISTICS**



**FIGURE 30-11: HIGH-SPEED PWMx MODULE TIMING CHARACTERISTICS**



**TABLE 30-29: HIGH-SPEED PWMx MODULE TIMING REQUIREMENTS**

| AC CHARACTERISTICS |                   |                                  | Standard Operating Conditions: 4.5V to 5.5V<br>(unless otherwise stated)<br>Operating temperature $-40^{\circ}\text{C} \leq T_A \leq +85^{\circ}\text{C}$ for Industrial<br>$-40^{\circ}\text{C} \leq T_A \leq +125^{\circ}\text{C}$ for Extended |      |      |       |                                    |
|--------------------|-------------------|----------------------------------|---|------|------|-------|------------------------------------|
| Param No.          | Symbol            | Characteristic <sup>(1)</sup>    | Min.  | Typ. | Max. | Units | Conditions                         |
| MP10               | T <sub>FPWM</sub> | PWMx Output Fall Time            | —   | —    | —    | ns    | See Parameter <a href="#">DO32</a> |
| MP11               | T <sub>RPWM</sub> | PWMx Output Rise Time            | —   | —    | —    | ns    | See Parameter <a href="#">DO31</a> |
| MP20               | T <sub>FD</sub>   | Fault Input ↓ to PWMx I/O Change | —   | —    | 15   | ns    |                                    |
| MP30               | T <sub>FH</sub>   | Fault Input Pulse Width          | 15  | —    | —    | ns    |                                    |

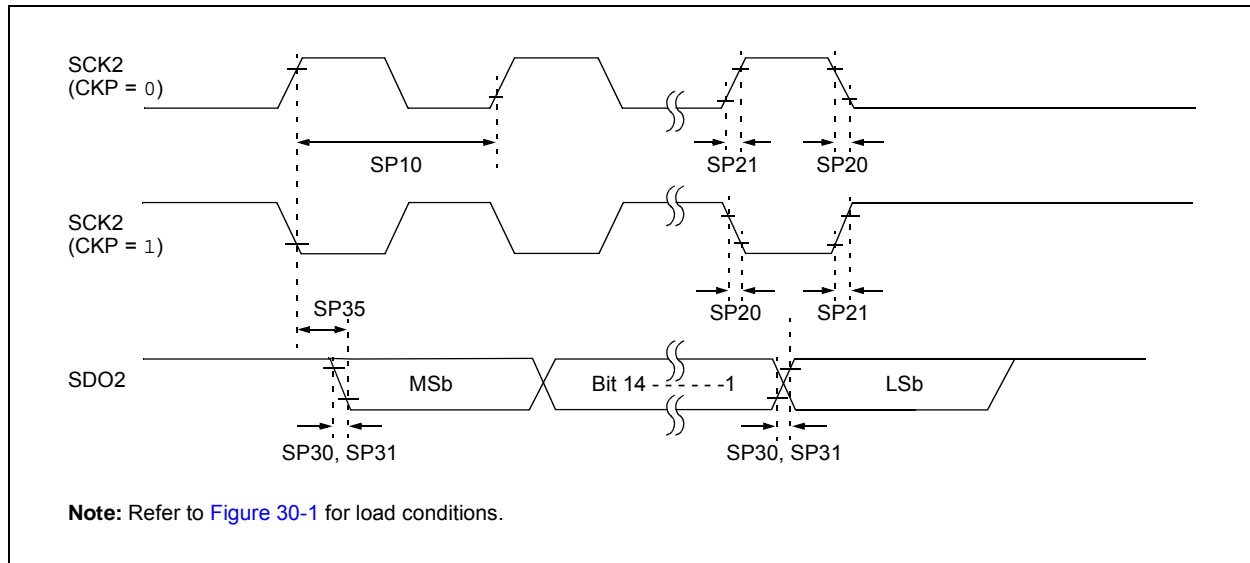
**Note 1:** These parameters are characterized but not tested in manufacturing.

# dsPIC33EVXXXGM00X/10X FAMILY

**TABLE 30-30: SPI2 MAXIMUM DATA/CLOCK RATE SUMMARY**

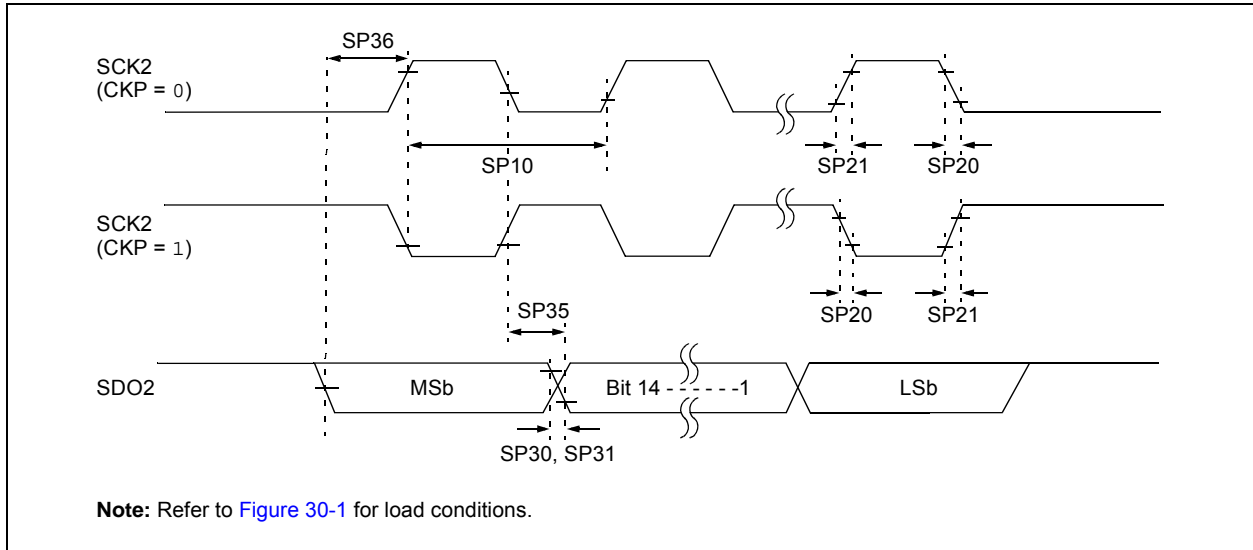
| AC CHARACTERISTICS |                                    |                                       | Standard Operating Conditions: 4.5V to 5.5V<br>(unless otherwise stated)<br>Operating temperature -40°C ≤ TA ≤ +85°C for Industrial<br>-40°C ≤ TA ≤ +125°C for Extended |     |     |     |
|--------------------|------------------------------------|---------------------------------------|---|-----|-----|-----|
| Maximum Data Rate  | Master Transmit Only (Half-Duplex) | Master Transmit/Receive (Full-Duplex) | Slave Transmit/Receive (Full-Duplex)  | CKE | CKP | SMP |
| 15 MHz             | <a href="#">Table 30-31</a>        | —                                     | —   | 0,1 | 0,1 | 0,1 |
| 9 MHz              | —                                  | <a href="#">Table 30-32</a>           | —   | 1   | 0,1 | 1   |
| 9 MHz              | —                                  | <a href="#">Table 30-33</a>           | —   | 0   | 0,1 | 1   |
| 15 MHz             | —                                  | —                                     | <a href="#">Table 30-34</a>   | 1   | 0   | 0   |
| 11 MHz             | —                                  | —                                     | <a href="#">Table 30-35</a>   | 1   | 1   | 0   |
| 15 MHz             | —                                  | —                                     | <a href="#">Table 30-36</a>   | 0   | 1   | 0   |
| 11 MHz             | —                                  | —                                     | <a href="#">Table 30-37</a>   | 0   | 0   | 0   |

**FIGURE 30-12: SPI2 MASTER MODE (HALF-DUPLEX, TRANSMIT ONLY, CKE = 0) TIMING CHARACTERISTICS**



# dsPIC33EVXXGM00X/10X FAMILY

**FIGURE 30-13: SPI2 MASTER MODE (HALF-DUPLEX, TRANSMIT ONLY, CKE = 1) TIMING CHARACTERISTICS**



**TABLE 30-31: SPI2 MASTER MODE (HALF-DUPLEX, TRANSMIT ONLY) TIMING REQUIREMENTS**

| AC CHARACTERISTICS |                       |   | Standard Operating Conditions: 4.5V to 5.5V<br>(unless otherwise stated)<br>Operating temperature $-40^{\circ}\text{C} \leq T_A \leq +85^{\circ}\text{C}$ for Industrial<br>$-40^{\circ}\text{C} \leq T_A \leq +125^{\circ}\text{C}$ for Extended |                     |      |       |   |
|--------------------|-----------------------|---|---|---------------------|------|-------|---|
| Param.             | Symbol                | Characteristic <sup>(1)</sup>             | Min.  | Typ. <sup>(2)</sup> | Max. | Units | Conditions  |
| SP10               | FscP                  | Maximum SCK2 Frequency                    | —   | —                   | 15   | MHz   | See <a href="#">Note 3</a>                                    |
| SP20               | TscF                  | SCK2 Output Fall Time                     | —   | —                   | —    | ns    | See Parameter <a href="#">DO32</a> and <a href="#">Note 4</a> |
| SP21               | TscR                  | SCK2 Output Rise Time                     | —   | —                   | —    | ns    | See Parameter <a href="#">DO31</a> and <a href="#">Note 4</a> |
| SP30               | TdoF                  | SDO2 Data Output Fall Time                | —   | —                   | —    | ns    | See Parameter <a href="#">DO32</a> and <a href="#">Note 4</a> |
| SP31               | TdoR                  | SDO2 Data Output Rise Time                | —   | —                   | —    | ns    | See Parameter <a href="#">DO31</a> and <a href="#">Note 4</a> |
| SP35               | TscH2doV,<br>TscL2doV | SDO2 Data Output Valid after SCK2 Edge    | —   | 6                   | 20   | ns    |   |
| SP36               | TdiV2scH,<br>TdiV2scL | SDO2 Data Output Setup to First SCK2 Edge | 30  | —                   | —    | ns    |   |

**Note 1:** These parameters are characterized but not tested in manufacturing.

**2:** Data in “Typ.” column is at 5.0V, +25°C unless otherwise stated.

**3:** The minimum clock period for SCK2 is 66.7 ns. Therefore, the clock generated in Master mode must not violate this specification.

**4:** Assumes 50 pF load on all SPI2 pins.

# dsPIC33EVXXGM00X/10X FAMILY

**FIGURE 30-14: SPI2 MASTER MODE (FULL-DUPLEX, CKE = 1, CKP = x, SMP = 1) TIMING CHARACTERISTICS**



**TABLE 30-32: SPI2 MASTER MODE (FULL-DUPLEX, CKE = 1, CKP = x, SMP = 1) TIMING REQUIREMENTS**

| AC CHARACTERISTICS |                       |  | Standard Operating Conditions: 4.5V to 5.5V<br>(unless otherwise stated)<br>Operating temperature $-40^{\circ}\text{C} \leq T_A \leq +85^{\circ}\text{C}$ for Industrial<br>$-40^{\circ}\text{C} \leq T_A \leq +125^{\circ}\text{C}$ for Extended |                     |      |       |   |
|--------------------|-----------------------|--|---|---------------------|------|-------|---|
| Param.             | Symbol                | Characteristic <sup>(1)</sup>              | Min.  | Typ. <sup>(2)</sup> | Max. | Units | Conditions  |
| SP10               | FscP                  | Maximum SCK2 Frequency                     | —   | —                   | 9    | MHz   | See <a href="#">Note 3</a>                                    |
| SP20               | TscF                  | SCK2 Output Fall Time                      | —   | —                   | —    | ns    | See Parameter <a href="#">DO32</a> and <a href="#">Note 4</a> |
| SP21               | TscR                  | SCK2 Output Rise Time                      | —   | —                   | —    | ns    | See Parameter <a href="#">DO31</a> and <a href="#">Note 4</a> |
| SP30               | TdoF                  | SDO2 Data Output Fall Time                 | —   | —                   | —    | ns    | See Parameter <a href="#">DO32</a> and <a href="#">Note 4</a> |
| SP31               | TdoR                  | SDO2 Data Output Rise Time                 | —   | —                   | —    | ns    | See Parameter <a href="#">DO31</a> and <a href="#">Note 4</a> |
| SP35               | Tsch2doV,<br>TscL2doV | SDO2 Data Output Valid after SCK2 Edge     | —   | 6                   | 20   | ns    |   |
| SP36               | TdoV2sc,<br>TdoV2scL  | SDO2 Data Output Setup to First SCK2 Edge  | 30  | —                   | —    | ns    |   |
| SP40               | TdiV2sch,<br>TdiV2scL | Setup Time of SDI2 Data Input to SCK2 Edge | 30  | —                   | —    | ns    |   |
| SP41               | Tsch2diL,<br>TscL2diL | Hold Time of SDI2 Data Input to SCK2 Edge  | 30  | —                   | —    | ns    |   |

**Note 1:** These parameters are characterized but not tested in manufacturing.

**2:** Data in “Typ.” column is at 5.0V, +25°C unless otherwise stated.

**3:** The minimum clock period for SCK2 is 111 ns. The clock generated in Master mode must not violate this specification.

**4:** Assumes 50 pF load on all SPI2 pins.

# dsPIC33EVXXGM00X/10X FAMILY

**FIGURE 30-15: SPI2 MASTER MODE (FULL-DUPLEX, CKE = 0, CKP = x, SMP = 1) TIMING CHARACTERISTICS**



**TABLE 30-33: SPI2 MASTER MODE (FULL-DUPLEX, CKE = 0, CKP = x, SMP = 1) TIMING REQUIREMENTS**

| AC CHARACTERISTICS |                       |  | Standard Operating Conditions: 4.5V to 5.5V<br>(unless otherwise stated)<br>Operating temperature $-40^{\circ}\text{C} \leq T_A \leq +85^{\circ}\text{C}$ for Industrial<br>$-40^{\circ}\text{C} \leq T_A \leq +125^{\circ}\text{C}$ for Extended |                     |      |       |  |
|--------------------|-----------------------|--|---|---------------------|------|-------|--|
| Param.             | Symbol                | Characteristic <sup>(1)</sup>              | Min.  | Typ. <sup>(2)</sup> | Max. | Units | Conditions   |
| SP10               | FscP                  | Maximum SCK2 Frequency                     | —   | —                   | 9    | MHz   | $-40^{\circ}\text{C}$ to $+125^{\circ}\text{C}$ and see Note 3 |
| SP20               | TscF                  | SCK2 Output Fall Time                      | —   | —                   | —    | ns    | See Parameter DO32 and Note 4                                  |
| SP21               | TscR                  | SCK2 Output Rise Time                      | —   | —                   | —    | ns    | See Parameter DO31 and Note 4                                  |
| SP30               | TdoF                  | SDO2 Data Output Fall Time                 | —   | —                   | —    | ns    | See Parameter DO32 and Note 4                                  |
| SP31               | TdoR                  | SDO2 Data Output Rise Time                 | —   | —                   | —    | ns    | See Parameter DO31 and Note 4                                  |
| SP35               | Tsch2doV,<br>TscL2doV | SDO2 Data Output Valid after SCK2 Edge     | —   | 6                   | 20   | ns    |  |
| SP36               | TdoV2sch,<br>TdoV2scL | SDO2 Data Output Setup to First SCK2 Edge  | 30  | —                   | —    | ns    |  |
| SP40               | TdiV2sch,<br>TdiV2scL | Setup Time of SDI2 Data Input to SCK2 Edge | 30  | —                   | —    | ns    |  |
| SP41               | Tsch2diL,<br>TscL2diL | Hold Time of SDI2 Data Input to SCK2 Edge  | 30  | —                   | —    | ns    |  |

**Note 1:** These parameters are characterized but not tested in manufacturing.

**Note 2:** Data in "Typ." column is at 5.0V,  $+25^{\circ}\text{C}$  unless otherwise stated.

**Note 3:** The minimum clock period for SCK2 is 111 ns. The clock generated in Master mode must not violate this specification.

**Note 4:** Assumes 50 pF load on all SPI2 pins.

# dsPIC33EVXXXGM00X/10X FAMILY

**FIGURE 30-16: SPI2 SLAVE MODE (FULL-DUPLEX, CKE = 1, CKP = 0, SMP = 0) TIMING CHARACTERISTICS**



# dsPIC33EVXXGM00X/10X FAMILY

**TABLE 30-34: SPI2 SLAVE MODE (FULL-DUPLEX, CKE = 1, CKP = 0, SMP = 0)  
TIMING REQUIREMENTS**

| AC CHARACTERISTICS |                       |  | Standard Operating Conditions: 4.5V to 5.5V<br>(unless otherwise stated)<br>Operating temperature -40°C ≤ TA ≤ +85°C for Industrial<br>-40°C ≤ TA ≤ +125°C for Extended |                     |      |       |   |
|--------------------|-----------------------|--|---|---------------------|------|-------|---|
| Param.             | Symbol                | Characteristic <sup>(1)</sup>                      | Min.  | Typ. <sup>(2)</sup> | Max. | Units | Conditions  |
| SP70               | FscP                  | Maximum SCK2 Input Frequency                       | —   | —                   | 15   | MHz   | See <a href="#">Note 3</a>                                    |
| SP72               | TscF                  | SCK2 Input Fall Time                               | —   | —                   | —    | ns    | See Parameter <a href="#">DO32</a> and <a href="#">Note 4</a> |
| SP73               | TscR                  | SCK2 Input Rise Time                               | —   | —                   | —    | ns    | See Parameter <a href="#">DO31</a> and <a href="#">Note 4</a> |
| SP30               | TdoF                  | SDO2 Data Output Fall Time                         | —   | —                   | —    | ns    | See Parameter <a href="#">DO32</a> and <a href="#">Note 4</a> |
| SP31               | TdoR                  | SDO2 Data Output Rise Time                         | —   | —                   | —    | ns    | See Parameter <a href="#">DO31</a> and <a href="#">Note 4</a> |
| SP35               | Tsch2doV,<br>TscL2doV | SDO2 Data Output Valid after SCK2 Edge             | —   | 6                   | 20   | ns    |   |
| SP36               | TdoV2scH,<br>TdoV2scL | SDO2 Data Output Setup to First SCK2 Edge          | 30  | —                   | —    | ns    |   |
| SP40               | TdiV2scH,<br>TdiV2scL | Setup Time of SDI2 Data Input to SCK2 Edge         | 30  | —                   | —    | ns    |   |
| SP41               | Tsch2diL,<br>TscL2diL | Hold Time of SDI2 Data Input to SCK2 Edge          | 30  | —                   | —    | ns    |   |
| SP50               | TssL2scH,<br>TssL2scL | $\overline{SS2}$ ↓ to SCK2 ↑ or SCK2 ↓ Input       | 120   | —                   | —    | ns    |   |
| SP51               | TssH2doZ              | $\overline{SS2}$ ↑ to SDO2 Output High-Impedance   | 10  | —                   | 50   | ns    | See <a href="#">Note 4</a>                                    |
| SP52               | Tsch2ssH,<br>TscL2ssH | $\overline{SS2}$ ↑ after SCK2 Edge                 | 1.5 Tcy + 40  | —                   | —    | ns    | See <a href="#">Note 4</a>                                    |
| SP60               | TssL2doV              | SDO2 Data Output Valid after $\overline{SS2}$ Edge | —   | —                   | 50   | ns    |   |

**Note 1:** These parameters are characterized but not tested in manufacturing.

**2:** Data in “Typ.” column is at 5.0V, +25°C unless otherwise stated.

**3:** The minimum clock period for SCK2 is 66.7 ns. Therefore, the SCK2 clock generated by the master must not violate this specification.

**4:** Assumes 50 pF load on all SPI2 pins.

# dsPIC33EVXXXGM00X/10X FAMILY

**FIGURE 30-17: SPI2 SLAVE MODE (FULL-DUPLEX, CKE = 1, CKP = 1, SMP = 0) TIMING CHARACTERISTICS**





# dsPIC33EVXXGM00X/10X FAMILY

**TABLE 30-35: SPI2 SLAVE MODE (FULL-DUPLEX, CKE = 1, CKP = 1, SMP = 0)  
TIMING REQUIREMENTS**

| AC CHARACTERISTICS |                       |  | Standard Operating Conditions: 4.5V to 5.5V<br>(unless otherwise stated)<br>Operating temperature -40°C ≤ TA ≤ +85°C for Industrial<br>-40°C ≤ TA ≤ +125°C for Extended |                     |      |       |   |
|--------------------|-----------------------|--|---|---------------------|------|-------|---|
| Param.             | Symbol                | Characteristic <sup>(1)</sup>                      | Min.  | Typ. <sup>(2)</sup> | Max. | Units | Conditions  |
| SP70               | FscP                  | Maximum SCK2 Input Frequency                       | —   | —                   | 11   | MHz   | See <a href="#">Note 3</a>                                    |
| SP72               | TscF                  | SCK2 Input Fall Time                               | —   | —                   | —    | ns    | See Parameter <a href="#">DO32</a> and <a href="#">Note 4</a> |
| SP73               | TscR                  | SCK2 Input Rise Time                               | —   | —                   | —    | ns    | See Parameter <a href="#">DO31</a> and <a href="#">Note 4</a> |
| SP30               | TdoF                  | SDO2 Data Output Fall Time                         | —   | —                   | —    | ns    | See Parameter <a href="#">DO32</a> and <a href="#">Note 4</a> |
| SP31               | TdoR                  | SDO2 Data Output Rise Time                         | —   | —                   | —    | ns    | See Parameter <a href="#">DO31</a> and <a href="#">Note 4</a> |
| SP35               | Tsch2doV,<br>TscL2doV | SDO2 Data Output Valid after SCK2 Edge             | —   | 6                   | 20   | ns    |   |
| SP36               | TdoV2scH,<br>TdoV2scL | SDO2 Data Output Setup to First SCK2 Edge          | 30  | —                   | —    | ns    |   |
| SP40               | TdiV2scH,<br>TdiV2scL | Setup Time of SDI2 Data Input to SCK2 Edge         | 30  | —                   | —    | ns    |   |
| SP41               | Tsch2diL,<br>TscL2diL | Hold Time of SDI2 Data Input to SCK2 Edge          | 30  | —                   | —    | ns    |   |
| SP50               | TssL2scH,<br>TssL2scL | $\overline{SS2}$ ↓ to SCK2 ↑ or SCK2 ↓ Input       | 120   | —                   | —    | ns    |   |
| SP51               | TssH2doZ              | $\overline{SS2}$ ↑ to SDO2 Output High-Impedance   | 10  | —                   | 50   | ns    | See <a href="#">Note 4</a>                                    |
| SP52               | Tsch2ssH,<br>TscL2ssH | $\overline{SS2}$ ↑ after SCK2 Edge                 | 1.5 T <sub>CY</sub> + 40  | —                   | —    | ns    | See <a href="#">Note 4</a>                                    |
| SP60               | TssL2doV              | SDO2 Data Output Valid after $\overline{SS2}$ Edge | —   | —                   | 50   | ns    |   |

**Note 1:** These parameters are characterized but not tested in manufacturing.

**2:** Data in “Typ.” column is at 5.0V, +25°C unless otherwise stated.

**3:** The minimum clock period for SCK2 is 91 ns. Therefore, the SCK2 clock generated by the master must not violate this specification.

**4:** Assumes 50 pF load on all SPI2 pins.

# dsPIC33EVXXXGM00X/10X FAMILY

**FIGURE 30-18: SPI2 SLAVE MODE (FULL-DUPLEX, CKE = 0, CKP = 1, SMP = 0) TIMING CHARACTERISTICS**



# dsPIC33EVXXGM00X/10X FAMILY

**TABLE 30-36: SPI2 SLAVE MODE (FULL-DUPLEX, CKE = 0, CKP = 1, SMP = 0)  
TIMING REQUIREMENTS**

| AC CHARACTERISTICS |                       |  | Standard Operating Conditions: 4.5V to 5.5V<br>(unless otherwise stated)<br>Operating temperature -40°C ≤ TA ≤ +85°C for Industrial<br>-40°C ≤ TA ≤ +125°C for Extended |                     |      |       |   |
|--------------------|-----------------------|--|---|---------------------|------|-------|---|
| Param.             | Symbol                | Characteristic <sup>(1)</sup>                    | Min.  | Typ. <sup>(2)</sup> | Max. | Units | Conditions  |
| SP70               | FscP                  | Maximum SCK2 Input Frequency                     | —   | —                   | 15   | MHz   | See <a href="#">Note 3</a>                                    |
| SP72               | TscF                  | SCK2 Input Fall Time                             | —   | —                   | —    | ns    | See Parameter <a href="#">DO32</a> and <a href="#">Note 4</a> |
| SP73               | TscR                  | SCK2 Input Rise Time                             | —   | —                   | —    | ns    | See Parameter <a href="#">DO31</a> and <a href="#">Note 4</a> |
| SP30               | TdoF                  | SDO2 Data Output Fall Time                       | —   | —                   | —    | ns    | See Parameter <a href="#">DO32</a> and <a href="#">Note 4</a> |
| SP31               | TdoR                  | SDO2 Data Output Rise Time                       | —   | —                   | —    | ns    | See Parameter <a href="#">DO31</a> and <a href="#">Note 4</a> |
| SP35               | Tsch2doV,<br>TscL2doV | SDO2 Data Output Valid after SCK2 Edge           | —   | 6                   | 20   | ns    |   |
| SP36               | TdoV2scH,<br>TdoV2scL | SDO2 Data Output Setup to First SCK2 Edge        | 30  | —                   | —    | ns    |   |
| SP40               | TdiV2scH,<br>TdiV2scL | Setup Time of SDI2 Data Input to SCK2 Edge       | 30  | —                   | —    | ns    |   |
| SP41               | Tsch2diL,<br>TscL2diL | Hold Time of SDI2 Data Input to SCK2 Edge        | 30  | —                   | —    | ns    |   |
| SP50               | TssL2scH,<br>TssL2scL | $\overline{SS2}$ ↓ to SCK2 ↑ or SCK2 ↓ Input     | 120   | —                   | —    | ns    |   |
| SP51               | TssH2doZ              | $\overline{SS2}$ ↑ to SDO2 Output High-Impedance | 10  | —                   | 50   | ns    | See <a href="#">Note 4</a>                                    |
| SP52               | Tsch2ssH,<br>TscL2ssH | $\overline{SS2}$ ↑ after SCK2 Edge               | 1.5 T <sub>CY</sub> + 40  | —                   | —    | ns    | See <a href="#">Note 4</a>                                    |

- Note 1:** These parameters are characterized but not tested in manufacturing.
- Note 2:** Data in “Typ.” column is at 5.0V, +25°C unless otherwise stated.
- Note 3:** The minimum clock period for SCK2 is 66.7 ns. Therefore, the SCK2 clock generated by the master must not violate this specification.
- Note 4:** Assumes 50 pF load on all SPI2 pins.

# dsPIC33EVXXGM00X/10X FAMILY

**FIGURE 30-19: SPI2 SLAVE MODE (FULL-DUPLEX, CKE = 0, CKP = 0, SMP = 0) TIMING CHARACTERISTICS**



# dsPIC33EVXXGM00X/10X FAMILY

**TABLE 30-37: SPI2 SLAVE MODE (FULL-DUPLEX, CKE = 0, CKP = 0, SMP = 0)  
TIMING REQUIREMENTS**

| AC CHARACTERISTICS |                       |  | Standard Operating Conditions: 4.5V to 5.5V<br>(unless otherwise stated)<br>Operating temperature $-40^{\circ}\text{C} \leq T_A \leq +85^{\circ}\text{C}$ for Industrial<br>$-40^{\circ}\text{C} \leq T_A \leq +125^{\circ}\text{C}$ for Extended |                     |      |       |   |
|--------------------|-----------------------|--|---|---------------------|------|-------|---|
| Param.             | Symbol                | Characteristic <sup>(1)</sup>  | Min.  | Typ. <sup>(2)</sup> | Max. | Units | Conditions  |
| SP70               | FscP                  | Maximum SCK2 Input Frequency   | —   | —                   | 11   | MHz   | See <a href="#">Note 3</a>                                    |
| SP72               | TscF                  | SCK2 Input Fall Time   | —   | —                   | —    | ns    | See Parameter <a href="#">DO32</a> and <a href="#">Note 4</a> |
| SP73               | TscR                  | SCK2 Input Rise Time   | —   | —                   | —    | ns    | See Parameter <a href="#">DO31</a> and <a href="#">Note 4</a> |
| SP30               | TdoF                  | SDO2 Data Output Fall Time   | —   | —                   | —    | ns    | See Parameter <a href="#">DO32</a> and <a href="#">Note 4</a> |
| SP31               | TdoR                  | SDO2 Data Output Rise Time   | —   | —                   | —    | ns    | See Parameter <a href="#">DO31</a> and <a href="#">Note 4</a> |
| SP35               | Tsch2doV,<br>TscL2doV | SDO2 Data Output Valid after SCK2 Edge   | —   | 6                   | 20   | ns    |   |
| SP36               | TdoV2scH,<br>TdoV2scL | SDO2 Data Output Setup to First SCK2 Edge  | 30  | —                   | —    | ns    |   |
| SP40               | TdiV2scH,<br>TdiV2scL | Setup Time of SDI2 Data Input to SCK2 Edge                                       | 30  | —                   | —    | ns    |   |
| SP41               | Tsch2diL,<br>TscL2diL | Hold Time of SDI2 Data Input to SCK2 Edge  | 30  | —                   | —    | ns    |   |
| SP50               | TssL2scH,<br>TssL2scL | $\overline{\text{SS}}2 \downarrow$ to SCK2 $\uparrow$ or SCK2 $\downarrow$ Input | 120   | —                   | —    | ns    |   |
| SP51               | TssH2doZ              | $\overline{\text{SS}}2 \uparrow$ to SDO2 Output High-Impedance                   | 10  | —                   | 50   | ns    | See <a href="#">Note 4</a>                                    |
| SP52               | Tsch2ssH,<br>TscL2ssH | $\overline{\text{SS}}2 \uparrow$ after SCK2 Edge                                 | $1.5 T_{CY} + 40$   | —                   | —    | ns    | See <a href="#">Note 4</a>                                    |

**Note 1:** These parameters are characterized but not tested in manufacturing.

**2:** Data in "Typ." column is at 5.0V, +25°C unless otherwise stated.

**3:** The minimum clock period for SCK2 is 91 ns. Therefore, the SCK2 clock generated by the master must not violate this specification.

**4:** Assumes 50 pF load on all SPI2 pins.

# dsPIC33EVXXXGM00X/10X FAMILY

**TABLE 30-38: SPI1 MAXIMUM DATA/CLOCK RATE SUMMARY**

| AC CHARACTERISTICS |                                    |                                       |                                      | Standard Operating Conditions: 4.5V to 5.5V<br>(unless otherwise stated)<br>Operating temperature $-40^{\circ}\text{C} \leq T_A \leq +85^{\circ}\text{C}$ for Industrial<br>$-40^{\circ}\text{C} \leq T_A \leq +125^{\circ}\text{C}$ for Extended |     |     |
|--------------------|------------------------------------|---------------------------------------|--------------------------------------|---|-----|-----|
| Maximum Data Rate  | Master Transmit Only (Half-Duplex) | Master Transmit/Receive (Full-Duplex) | Slave Transmit/Receive (Full-Duplex) | CKE   | CKP | SMP |
| 25 MHz             | <a href="#">Table 30-39</a>        | —                                     | —                                    | 0,1   | 0,1 | 0,1 |
| 25 MHz             | —                                  | <a href="#">Table 30-40</a>           | —                                    | 1   | 0,1 | 1   |
| 25 MHz             | —                                  | <a href="#">Table 30-41</a>           | —                                    | 0   | 0,1 | 1   |
| 25 MHz             | —                                  | —                                     | <a href="#">Table 30-42</a>          | 1   | 0   | 0   |
| 25 MHz             | —                                  | —                                     | <a href="#">Table 30-43</a>          | 1   | 1   | 0   |
| 25 MHz             | —                                  | —                                     | <a href="#">Table 30-44</a>          | 0   | 1   | 0   |
| 25 MHz             | —                                  | —                                     | <a href="#">Table 30-45</a>          | 0   | 0   | 0   |

**FIGURE 30-20: SPI1 MASTER MODE (HALF-DUPLEX, TRANSMIT ONLY, CKE = 0) TIMING CHARACTERISTICS**



# dsPIC33EVXXGM00X/10X FAMILY

**FIGURE 30-21: SPI1 MASTER MODE (HALF-DUPLEX, TRANSMIT ONLY, CKE = 1) TIMING CHARACTERISTICS**



**TABLE 30-39: SPI1 MASTER MODE (HALF-DUPLEX, TRANSMIT ONLY) TIMING REQUIREMENTS**

| AC CHARACTERISTICS |                       |   | Standard Operating Conditions: 4.5V to 5.5V<br>(unless otherwise stated)<br>Operating temperature -40°C ≤ TA ≤ +85°C for Industrial<br>-40°C ≤ TA ≤ +125°C for Extended |                     |      |       |   |
|--------------------|-----------------------|---|---|---------------------|------|-------|---|
| Param.             | Symbol                | Characteristic <sup>(1)</sup>             | Min.  | Typ. <sup>(2)</sup> | Max. | Units | Conditions  |
| SP10               | FscP                  | Maximum SCK1 Frequency                    | —   | —                   | 25   | MHz   | See <a href="#">Note 3</a>                                    |
| SP20               | TscF                  | SCK1 Output Fall Time                     | —   | —                   | —    | ns    | See Parameter <a href="#">DO32</a> and <a href="#">Note 4</a> |
| SP21               | TscR                  | SCK1 Output Rise Time                     | —   | —                   | —    | ns    | See Parameter <a href="#">DO31</a> and <a href="#">Note 4</a> |
| SP30               | TdoF                  | SDO1 Data Output Fall Time                | —   | —                   | —    | ns    | See Parameter <a href="#">DO32</a> and <a href="#">Note 4</a> |
| SP31               | TdoR                  | SDO1 Data Output Rise Time                | —   | —                   | —    | ns    | See Parameter <a href="#">DO31</a> and <a href="#">Note 4</a> |
| SP35               | Tsch2doV,<br>TscL2doV | SDO1 Data Output Valid after SCK1 Edge    | —   | 6                   | 20   | ns    |   |
| SP36               | TdiV2sch,<br>TdiV2scl | SDO1 Data Output Setup to First SCK1 Edge | 20  | —                   | —    | ns    |   |

- Note 1:** These parameters are characterized but not tested in manufacturing.
- Note 2:** Data in “Typ.” column is at 5.0V, +25°C unless otherwise stated.
- Note 3:** The minimum clock period for SCK1 is 40 ns. Therefore, the clock generated in Master mode must not violate this specification.
- Note 4:** Assumes 50 pF load on all SPI1 pins.

# dsPIC33EVXXXGM00X/10X FAMILY

**FIGURE 30-22: SPI1 MASTER MODE (FULL-DUPLEX, CKE = 1, CKP = x, SMP = 1) TIMING CHARACTERISTICS**



**TABLE 30-40: SPI1 MASTER MODE (FULL-DUPLEX, CKE = 1, CKP = x, SMP = 1) TIMING REQUIREMENTS**

| AC CHARACTERISTICS |                       |  | Standard Operating Conditions: 4.5V to 5.5V<br>(unless otherwise stated)<br>Operating temperature $-40^{\circ}\text{C} \leq T_A \leq +85^{\circ}\text{C}$ for Industrial<br>$-40^{\circ}\text{C} \leq T_A \leq +125^{\circ}\text{C}$ for Extended |                     |      |       |   |
|--------------------|-----------------------|--|---|---------------------|------|-------|---|
| Param.             | Symbol                | Characteristic <sup>(1)</sup>              | Min.  | Typ. <sup>(2)</sup> | Max. | Units | Conditions  |
| SP10               | FscP                  | Maximum SCK1 Frequency                     | —   | —                   | 25   | MHz   | See <a href="#">Note 3</a>                                    |
| SP20               | TscF                  | SCK1 Output Fall Time                      | —   | —                   | —    | ns    | See Parameter <a href="#">DO32</a> and <a href="#">Note 4</a> |
| SP21               | TscR                  | SCK1 Output Rise Time                      | —   | —                   | —    | ns    | See Parameter <a href="#">DO31</a> and <a href="#">Note 4</a> |
| SP30               | TdoF                  | SDO1 Data Output Fall Time                 | —   | —                   | —    | ns    | See Parameter <a href="#">DO32</a> and <a href="#">Note 4</a> |
| SP31               | TdoR                  | SDO1 Data Output Rise Time                 | —   | —                   | —    | ns    | See Parameter <a href="#">DO31</a> and <a href="#">Note 4</a> |
| SP35               | Tsch2doV,<br>TscL2doV | SDO1 Data Output Valid after SCK1 Edge     | —   | 6                   | 20   | ns    |   |
| SP36               | TdoV2sc,<br>TdoV2scL  | SDO1 Data Output Setup to First SCK1 Edge  | 20  | —                   | —    | ns    |   |
| SP40               | TdiV2sch,<br>TdiV2scL | Setup Time of SDI1 Data Input to SCK1 Edge | 20  | —                   | —    | ns    |   |
| SP41               | Tsch2diL,<br>TscL2diL | Hold Time of SDI1 Data Input to SCK1 Edge  | 15  | —                   | —    | ns    |   |

**Note 1:** These parameters are characterized but not tested in manufacturing.

**2:** Data in “Typ.” column is at 5.0V, +25°C unless otherwise stated.

**3:** The minimum clock period for SCK1 is 40 ns. Therefore, the clock generated in Master mode must not violate this specification.

**4:** Assumes 50 pF load on all SPI1 pins.



# dsPIC33EVXXGM00X/10X FAMILY

**FIGURE 30-23: SPI1 MASTER MODE (FULL-DUPLEX, CKE = 0, CKP = x, SMP = 1)  
TIMING CHARACTERISTICS**



# dsPIC33EVXXGM00X/10X FAMILY

**TABLE 30-41: SPI1 MASTER MODE (FULL-DUPLEX, CKE = 0, CKP = x, SMP = 1)  
TIMING REQUIREMENTS**

| AC CHARACTERISTICS |                       |  | Standard Operating Conditions: 4.5V to 5.5V<br>(unless otherwise stated)<br>Operating temperature -40°C ≤ TA ≤ +85°C for Industrial<br>-40°C ≤ TA ≤ +125°C for Extended |                     |      |       |   |
|--------------------|-----------------------|--|---|---------------------|------|-------|---|
| Param.             | Symbol                | Characteristic <sup>(1)</sup>              | Min.  | Typ. <sup>(2)</sup> | Max. | Units | Conditions  |
| SP10               | FscP                  | Maximum SCK1 Frequency                     | —   | —                   | 25   | MHz   | -40°C to +125°C and see <a href="#">Note 3</a>                |
| SP20               | TscF                  | SCK1 Output Fall Time                      | —   | —                   | —    | ns    | See Parameter <a href="#">DO32</a> and <a href="#">Note 4</a> |
| SP21               | TscR                  | SCK1 Output Rise Time                      | —   | —                   | —    | ns    | See Parameter <a href="#">DO31</a> and <a href="#">Note 4</a> |
| SP30               | TdoF                  | SDO1 Data Output Fall Time                 | —   | —                   | —    | ns    | See Parameter <a href="#">DO32</a> and <a href="#">Note 4</a> |
| SP31               | TdoR                  | SDO1 Data Output Rise Time                 | —   | —                   | —    | ns    | See Parameter <a href="#">DO31</a> and <a href="#">Note 4</a> |
| SP35               | Tsch2doV,<br>TscL2doV | SDO1 Data Output Valid after SCK1 Edge     | —   | 6                   | 20   | ns    |   |
| SP36               | TdoV2scH,<br>TdoV2scL | SDO1 Data Output Setup to First SCK1 Edge  | 20  | —                   | —    | ns    |   |
| SP40               | TdiV2scH,<br>TdiV2scL | Setup Time of SDI1 Data Input to SCK1 Edge | 20  | —                   | —    | ns    |   |
| SP41               | Tsch2diL,<br>TscL2diL | Hold Time of SDI1 Data Input to SCK1 Edge  | 20  | —                   | —    | ns    |   |

- Note 1:** These parameters are characterized but not tested in manufacturing.  
**Note 2:** Data in “Typ.” column is at 5.0V, +25°C unless otherwise stated.  
**Note 3:** The minimum clock period for SCK1 is 40 ns. Therefore, the clock generated in Master mode must not violate this specification.  
**Note 4:** Assumes 50 pF load on all SPI1 pins.

# dsPIC33EVXXGM00X/10X FAMILY

**FIGURE 30-24: SPI1 SLAVE MODE (FULL-DUPLEX, CKE = 1, CKP = 0, SMP = 0)  
TIMING CHARACTERISTICS**



# dsPIC33EVXXGM00X/10X FAMILY

**TABLE 30-42: SPI1 SLAVE MODE (FULL-DUPLEX, CKE = 1, CKP = 0, SMP = 0)  
TIMING REQUIREMENTS**

| AC CHARACTERISTICS |                       |  | Standard Operating Conditions: 4.5V to 5.5V<br>(unless otherwise stated)<br>Operating temperature $-40^{\circ}\text{C} \leq T_A \leq +85^{\circ}\text{C}$ for Industrial<br>$-40^{\circ}\text{C} \leq T_A \leq +125^{\circ}\text{C}$ for Extended |                     |      |       |   |
|--------------------|-----------------------|--|---|---------------------|------|-------|---|
| Param.             | Symbol                | Characteristic <sup>(1)</sup>  | Min.  | Typ. <sup>(2)</sup> | Max. | Units | Conditions  |
| SP70               | FscP                  | Maximum SCK1 Input Frequency   | —   | —                   | 25   | MHz   | See <a href="#">Note 3</a>                                    |
| SP72               | TscF                  | SCK1 Input Fall Time   | —   | —                   | —    | ns    | See Parameter <a href="#">DO32</a> and <a href="#">Note 4</a> |
| SP73               | TscR                  | SCK1 Input Rise Time   | —   | —                   | —    | ns    | See Parameter <a href="#">DO31</a> and <a href="#">Note 4</a> |
| SP30               | TdoF                  | SDO1 Data Output Fall Time   | —   | —                   | —    | ns    | See Parameter <a href="#">DO32</a> and <a href="#">Note 4</a> |
| SP31               | TdoR                  | SDO1 Data Output Rise Time   | —   | —                   | —    | ns    | See Parameter <a href="#">DO31</a> and <a href="#">Note 4</a> |
| SP35               | Tsch2doV,<br>TscL2doV | SDO1 Data Output Valid after SCK1 Edge   | —   | 6                   | 20   | ns    |   |
| SP36               | TdoV2sch,<br>TdoV2scL | SDO1 Data Output Setup to First SCK1 Edge  | 20  | —                   | —    | ns    |   |
| SP40               | TdiV2sch,<br>TdiV2scL | Setup Time of SDIx Data Input to SCK1 Edge                                       | 20  | —                   | —    | ns    |   |
| SP41               | Tsch2diL,<br>TscL2diL | Hold Time of SDI1 Data Input to SCK1 Edge  | 15  | —                   | —    | ns    |   |
| SP50               | TssL2sch,<br>TssL2scL | $\overline{\text{SS}}1 \downarrow$ to SCK1 $\uparrow$ or SCK1 $\downarrow$ Input | 120   | —                   | —    | ns    |   |
| SP51               | TssH2doZ              | $\overline{\text{SS}}1 \uparrow$ to SDO1 Output High-Impedance                   | 10  | —                   | 50   | ns    | See <a href="#">Note 4</a>                                    |
| SP52               | Tsch2ssH,<br>TscL2ssH | $\overline{\text{SS}}1 \uparrow$ after SCK1 Edge                                 | $1.5 T_{CY} + 40$   | —                   | —    | ns    | See <a href="#">Note 4</a>                                    |
| SP60               | TssL2doV              | SDO1 Data Output Valid after $\overline{\text{SS}}1$ Edge                        | —   | —                   | 50   | ns    |   |

**Note 1:** These parameters are characterized but not tested in manufacturing.

**2:** Data in “Typ.” column is at 5.0V, +25°C unless otherwise stated.

**3:** The minimum clock period for SCK1 is 40 ns. Therefore, the SCK1 clock generated by the master must not violate this specification.

**4:** Assumes 50 pF load on all SPI1 pins.

# dsPIC33EVXXGM00X/10X FAMILY

**FIGURE 30-25: SPI1 SLAVE MODE (FULL-DUPLEX, CKE = 1, CKP = 1, SMP = 0)**  
**TIMING CHARACTERISTICS**



# dsPIC33EVXXGM00X/10X FAMILY

**TABLE 30-43: SPI1 SLAVE MODE (FULL-DUPLEX, CKE = 1, CKP = 1, SMP = 0)  
TIMING REQUIREMENTS**

| AC CHARACTERISTICS |                       |  | Standard Operating Conditions: 4.5V to 5.5V<br>(unless otherwise stated)<br>Operating temperature $-40^{\circ}\text{C} \leq T_A \leq +85^{\circ}\text{C}$ for Industrial<br>$-40^{\circ}\text{C} \leq T_A \leq +125^{\circ}\text{C}$ for Extended |                     |      |       |   |
|--------------------|-----------------------|--|---|---------------------|------|-------|---|
| Param.             | Symbol                | Characteristic <sup>(1)</sup>  | Min.  | Typ. <sup>(2)</sup> | Max. | Units | Conditions  |
| SP70               | FscP                  | Maximum SCK1 Input Frequency   | —   | —                   | 25   | MHz   | See <a href="#">Note 3</a>                                    |
| SP72               | TscF                  | SCK1 Input Fall Time   | —   | —                   | —    | ns    | See Parameter <a href="#">DO32</a> and <a href="#">Note 4</a> |
| SP73               | TscR                  | SCK1 Input Rise Time   | —   | —                   | —    | ns    | See Parameter <a href="#">DO31</a> and <a href="#">Note 4</a> |
| SP30               | TdoF                  | SDO1 Data Output Fall Time   | —   | —                   | —    | ns    | See Parameter <a href="#">DO32</a> and <a href="#">Note 4</a> |
| SP31               | TdoR                  | SDO1 Data Output Rise Time   | —   | —                   | —    | ns    | See Parameter <a href="#">DO31</a> and <a href="#">Note 4</a> |
| SP35               | Tsch2doV,<br>TscL2doV | SDO1 Data Output Valid after SCK1 Edge   | —   | 6                   | 20   | ns    |   |
| SP36               | TdoV2sch,<br>TdoV2scL | SDO1 Data Output Setup to First SCK1 Edge  | 20  | —                   | —    | ns    |   |
| SP40               | TdiV2sch,<br>TdiV2scL | Setup Time of SDI1 Data Input to SCK1 Edge                                       | 20  | —                   | —    | ns    |   |
| SP41               | Tsch2diL,<br>TscL2diL | Hold Time of SDI1 Data Input to SCK1 Edge  | 15  | —                   | —    | ns    |   |
| SP50               | TssL2sch,<br>TssL2scL | $\overline{\text{SS}}1 \downarrow$ to SCK1 $\uparrow$ or SCK1 $\downarrow$ Input | 120   | —                   | —    | ns    |   |
| SP51               | TssH2doZ              | $\overline{\text{SS}}1 \uparrow$ to SDO1 Output High-Impedance                   | 10  | —                   | 50   | ns    | See <a href="#">Note 4</a>                                    |
| SP52               | Tsch2ssH,<br>TscL2ssH | $\overline{\text{SS}}1 \uparrow$ after SCK1 Edge                                 | $1.5 T_{CY} + 40$   | —                   | —    | ns    | See <a href="#">Note 4</a>                                    |
| SP60               | TssL2doV              | SDO1 Data Output Valid after $\overline{\text{SS}}1$ Edge                        | —   | —                   | 50   | ns    |   |

**Note 1:** These parameters are characterized but not tested in manufacturing.

**2:** Data in “Typ.” column is at 5.0V, +25°C unless otherwise stated.

**3:** The minimum clock period for SCK1 is 40 ns. Therefore, the SCK1 clock generated by the master must not violate this specification.

**4:** Assumes 50 pF load on all SPI1 pins.

# dsPIC33EVXXGM00X/10X FAMILY

**FIGURE 30-26: SPI1 SLAVE MODE (FULL-DUPLEX, CKE = 0, CKP = 1, SMP = 0)**  
**TIMING CHARACTERISTICS**



# dsPIC33EVXXGM00X/10X FAMILY

**TABLE 30-44: SPI1 SLAVE MODE (FULL-DUPLEX, CKE = 0, CKP = 1, SMP = 0)  
TIMING REQUIREMENTS**

| AC CHARACTERISTICS |                       |  | Standard Operating Conditions: 4.5V to 5.5V<br>(unless otherwise stated)<br>Operating temperature $-40^{\circ}\text{C} \leq T_A \leq +85^{\circ}\text{C}$ for Industrial<br>$-40^{\circ}\text{C} \leq T_A \leq +125^{\circ}\text{C}$ for Extended |                     |      |       |   |
|--------------------|-----------------------|--|---|---------------------|------|-------|---|
| Param.             | Symbol                | Characteristic <sup>(1)</sup>  | Min.  | Typ. <sup>(2)</sup> | Max. | Units | Conditions  |
| SP70               | FscP                  | Maximum SCK1 Input Frequency   | —   | —                   | 25   | MHz   | See <a href="#">Note 3</a>                                    |
| SP72               | TscF                  | SCK1 Input Fall Time   | —   | —                   | —    | ns    | See Parameter <a href="#">DO32</a> and <a href="#">Note 4</a> |
| SP73               | TscR                  | SCK1 Input Rise Time   | —   | —                   | —    | ns    | See Parameter <a href="#">DO31</a> and <a href="#">Note 4</a> |
| SP30               | TdoF                  | SDO1 Data Output Fall Time   | —   | —                   | —    | ns    | See Parameter <a href="#">DO32</a> and <a href="#">Note 4</a> |
| SP31               | TdoR                  | SDO1 Data Output Rise Time   | —   | —                   | —    | ns    | See Parameter <a href="#">DO31</a> and <a href="#">Note 4</a> |
| SP35               | Tsch2doV,<br>TscL2doV | SDO1 Data Output Valid after SCK1 Edge   | —   | 6                   | 20   | ns    |   |
| SP36               | TdoV2sch,<br>TdoV2scL | SDO1 Data Output Setup to First SCK1 Edge  | 20  | —                   | —    | ns    |   |
| SP40               | TdiV2sch,<br>TdiV2scL | Setup Time of SDI1 Data Input to SCK1 Edge                                       | 20  | —                   | —    | ns    |   |
| SP41               | Tsch2diL,<br>TscL2diL | Hold Time of SDI1 Data Input to SCK1 Edge  | 15  | —                   | —    | ns    |   |
| SP50               | TssL2sch,<br>TssL2scL | $\overline{\text{SS}}1 \downarrow$ to SCK1 $\uparrow$ or SCK1 $\downarrow$ Input | 120   | —                   | —    | ns    |   |
| SP51               | TssH2doZ              | $\overline{\text{SS}}1 \uparrow$ to SDO1 Output High-Impedance                   | 10  | —                   | 50   | ns    | See <a href="#">Note 4</a>                                    |
| SP52               | Tsch2ssH,<br>TscL2ssH | $\overline{\text{SS}}1 \uparrow$ after SCK1 Edge                                 | $1.5 T_{CY} + 40$   | —                   | —    | ns    | See <a href="#">Note 4</a>                                    |

**Note 1:** These parameters are characterized but not tested in manufacturing.

**2:** Data in "Typ." column is at 5.0V, +25°C unless otherwise stated.

**3:** The minimum clock period for SCK1 is 40 ns. Therefore, the SCK1 clock generated by the master must not violate this specification.

**4:** Assumes 50 pF load on all SPI1 pins.



# dsPIC33EVXXGM00X/10X FAMILY

**FIGURE 30-27: SPI1 SLAVE MODE (FULL-DUPLEX, CKE = 0, CKP = 0, SMP = 0)  
TIMING CHARACTERISTICS**



# dsPIC33EVXXGM00X/10X FAMILY

**TABLE 30-45: SPI1 SLAVE MODE (FULL-DUPLEX, CKE = 0, CKP = 0, SMP = 0)  
TIMING REQUIREMENTS**

| AC CHARACTERISTICS |                       |  | Standard Operating Conditions: 4.5V to 5.5V<br>(unless otherwise stated)<br>Operating temperature $-40^{\circ}\text{C} \leq T_A \leq +85^{\circ}\text{C}$ for Industrial<br>$-40^{\circ}\text{C} \leq T_A \leq +125^{\circ}\text{C}$ for Extended |                     |      |       |   |
|--------------------|-----------------------|--|---|---------------------|------|-------|---|
| Param.             | Symbol                | Characteristic <sup>(1)</sup>  | Min.  | Typ. <sup>(2)</sup> | Max. | Units | Conditions  |
| SP70               | FscP                  | Maximum SCK1 Input Frequency   | —   | —                   | 25   | MHz   | See <a href="#">Note 3</a>                                    |
| SP72               | TscF                  | SCK1 Input Fall Time   | —   | —                   | —    | ns    | See Parameter <a href="#">DO32</a> and <a href="#">Note 4</a> |
| SP73               | TscR                  | SCK1 Input Rise Time   | —   | —                   | —    | ns    | See Parameter <a href="#">DO31</a> and <a href="#">Note 4</a> |
| SP30               | TdoF                  | SDO1 Data Output Fall Time   | —   | —                   | —    | ns    | See Parameter <a href="#">DO32</a> and <a href="#">Note 4</a> |
| SP31               | TdoR                  | SDO1 Data Output Rise Time   | —   | —                   | —    | ns    | See Parameter <a href="#">DO31</a> and <a href="#">Note 4</a> |
| SP35               | Tsch2doV,<br>TscL2doV | SDO1 Data Output Valid after SCK1 Edge   | —   | 6                   | 20   | ns    |   |
| SP36               | TdoV2sch,<br>TdoV2scL | SDO1 Data Output Setup to First SCK1 Edge  | 20  | —                   | —    | ns    |   |
| SP40               | TdiV2sch,<br>TdiV2scL | Setup Time of SDI1 Data Input to SCK1 Edge                                       | 20  | —                   | —    | ns    |   |
| SP41               | Tsch2diL,<br>TscL2diL | Hold Time of SDI1 Data Input to SCK1 Edge  | 15  | —                   | —    | ns    |   |
| SP50               | TssL2sch,<br>TssL2scL | $\overline{\text{SS}}1 \downarrow$ to SCK1 $\uparrow$ or SCK1 $\downarrow$ Input | 120   | —                   | —    | ns    |   |
| SP51               | TssH2doZ              | $\overline{\text{SS}}1 \uparrow$ to SDO1 Output High-Impedance                   | 10  | —                   | 50   | ns    | See <a href="#">Note 4</a>                                    |
| SP52               | Tsch2ssH,<br>TscL2ssH | $\overline{\text{SS}}1 \uparrow$ after SCK1 Edge                                 | $1.5 T_{CY} + 40$   | —                   | —    | ns    | See <a href="#">Note 4</a>                                    |

- Note 1:** These parameters are characterized but not tested in manufacturing.
- Note 2:** Data in “Typ.” column is at 5.0V, +25°C unless otherwise stated.
- Note 3:** The minimum clock period for SCK1 is 40 ns. Therefore, the SCK1 clock generated by the master must not violate this specification.
- Note 4:** Assumes 50 pF load on all SPI1 pins.

# dsPIC33EVXXGM00X/10X FAMILY

**FIGURE 30-28: I2Cx BUS START/STOP BITS TIMING CHARACTERISTICS (MASTER MODE)**



**FIGURE 30-29: I2Cx BUS DATA TIMING CHARACTERISTICS (MASTER MODE)**



# dsPIC33EVXXGM00X/10X FAMILY

**TABLE 30-46: I2Cx BUS DATA TIMING REQUIREMENTS (MASTER MODE)**

| AC CHARACTERISTICS |         |                               |                           | Standard Operating Conditions: 4.5V to 5.5V<br>(unless otherwise stated)<br>Operating temperature $-40^{\circ}\text{C} \leq T_A \leq +85^{\circ}\text{C}$ for Industrial<br>$-40^{\circ}\text{C} \leq T_A \leq +125^{\circ}\text{C}$ for Extended |      |               |   |
|--------------------|---------|-------------------------------|---------------------------|---|------|---------------|---|
| Param No.          | Symbol  | Characteristic <sup>(4)</sup> |                           | Min. <sup>(1)</sup>   | Max. | Units         | Conditions  |
| IM10               | TLO:SCL | Clock Low Time                | 100 kHz mode              | $T_{CY}/2$ (BRG + 2)  | —    | $\mu\text{s}$ |   |
|                    |         |                               | 400 kHz mode              | $T_{CY}/2$ (BRG + 2)  | —    | $\mu\text{s}$ |   |
|                    |         |                               | 1 MHz mode <sup>(2)</sup> | $T_{CY}/2$ (BRG + 2)  | —    | $\mu\text{s}$ |   |
| IM11               | THI:SCL | Clock High Time               | 100 kHz mode              | $T_{CY}/2$ (BRG + 2)  | —    | $\mu\text{s}$ |   |
|                    |         |                               | 400 kHz mode              | $T_{CY}/2$ (BRG + 2)  | —    | $\mu\text{s}$ |   |
|                    |         |                               | 1 MHz mode <sup>(2)</sup> | $T_{CY}/2$ (BRG + 2)  | —    | $\mu\text{s}$ |   |
| IM20               | TF:SCL  | SDAx and SCLx Fall Time       | 100 kHz mode              | —   | 300  | ns            | Cb is specified to be from 10 to 400 pF                       |
|                    |         |                               | 400 kHz mode              | $20 + 0.1 C_B$  | 300  | ns            |   |
|                    |         |                               | 1 MHz mode <sup>(2)</sup> | —   | 100  | ns            |   |
| IM21               | TR:SCL  | SDAx and SCLx Rise Time       | 100 kHz mode              | —   | 1000 | ns            | Cb is specified to be from 10 to 400 pF                       |
|                    |         |                               | 400 kHz mode              | $20 + 0.1 C_B$  | 300  | ns            |   |
|                    |         |                               | 1 MHz mode <sup>(2)</sup> | —   | 300  | ns            |   |
| IM25               | TSU:DAT | Data Input Setup Time         | 100 kHz mode              | 250   | —    | ns            |   |
|                    |         |                               | 400 kHz mode              | 100   | —    | ns            |   |
|                    |         |                               | 1 MHz mode <sup>(2)</sup> | 40  | —    | ns            |   |
| IM26               | THD:DAT | Data Input Hold Time          | 100 kHz mode              | 0   | —    | $\mu\text{s}$ |   |
|                    |         |                               | 400 kHz mode              | 0   | 0.9  | $\mu\text{s}$ |   |
|                    |         |                               | 1 MHz mode <sup>(2)</sup> | 0.2   | —    | $\mu\text{s}$ |   |
| IM30               | TSU:STA | Start Condition Setup Time    | 100 kHz mode              | $T_{CY}/2$ (BRG + 2)  | —    | $\mu\text{s}$ | Only relevant for Repeated Start condition                    |
|                    |         |                               | 400 kHz mode              | $T_{CY}/2$ (BRG + 2)  | —    | $\mu\text{s}$ |   |
|                    |         |                               | 1 MHz mode <sup>(2)</sup> | $T_{CY}/2$ (BRG + 2)  | —    | $\mu\text{s}$ |   |
| IM31               | THD:STA | Start Condition Hold Time     | 100 kHz mode              | $T_{CY}/2$ (BRG + 2)  | —    | $\mu\text{s}$ | After this period, the first clock pulse is generated         |
|                    |         |                               | 400 kHz mode              | $T_{CY}/2$ (BRG + 2)  | —    | $\mu\text{s}$ |   |
|                    |         |                               | 1 MHz mode <sup>(2)</sup> | $T_{CY}/2$ (BRG + 2)  | —    | $\mu\text{s}$ |   |
| IM33               | TSU:STO | Stop Condition Setup Time     | 100 kHz mode              | $T_{CY}/2$ (BRG + 2)  | —    | $\mu\text{s}$ |   |
|                    |         |                               | 400 kHz mode              | $T_{CY}/2$ (BRG + 2)  | —    | $\mu\text{s}$ |   |
|                    |         |                               | 1 MHz mode <sup>(2)</sup> | $T_{CY}/2$ (BRG + 2)  | —    | $\mu\text{s}$ |   |
| IM34               | THD:STO | Stop Condition Hold Time      | 100 kHz mode              | $T_{CY}/2$ (BRG + 2)  | —    | $\mu\text{s}$ |   |
|                    |         |                               | 400 kHz mode              | $T_{CY}/2$ (BRG + 2)  | —    | $\mu\text{s}$ |   |
|                    |         |                               | 1 MHz mode <sup>(2)</sup> | $T_{CY}/2$ (BRG + 2)  | —    | $\mu\text{s}$ |   |
| IM40               | TAA:SCL | Output Valid From Clock       | 100 kHz mode              | —   | 3500 | ns            |   |
|                    |         |                               | 400 kHz mode              | —   | 1000 | ns            |   |
|                    |         |                               | 1 MHz mode <sup>(2)</sup> | —   | 400  | ns            |   |
| IM45               | TBF:SDA | Bus Free Time                 | 100 kHz mode              | 4.7   | —    | $\mu\text{s}$ | Time the bus must be free before a new transmission can start |
|                    |         |                               | 400 kHz mode              | 1.3   | —    | $\mu\text{s}$ |   |
|                    |         |                               | 1 MHz mode <sup>(2)</sup> | 0.5   | —    | $\mu\text{s}$ |   |
| IM50               | CB      | Bus Capacitive Loading        |                           | —   | 400  | pF            |   |
| IM51               | TPGD    | Pulse Gobbler Delay           |                           | 65  | 390  | ns            | See <a href="#">Note 3</a>                                    |

**Note 1:** BRG is the value of the I<sup>2</sup>C Baud Rate Generator. Refer to “Inter-Integrated Circuit™ (I<sup>2</sup>C™)” (DS70000195) in the “dsPIC33/PIC24 Family Reference Manual”. Please see the Microchip web site for the latest “dsPIC33/PIC24 Family Reference Manual” sections.

**2:** Maximum pin capacitance = 10 pF for all I2Cx pins (for 1 MHz mode only).

**3:** Typical value for this parameter is 130 ns.

**4:** These parameters are characterized but not tested in manufacturing.

**FIGURE 30-30: I2Cx BUS START/STOP BITS TIMING CHARACTERISTICS (SLAVE MODE)**



**FIGURE 30-31: I2Cx BUS DATA TIMING CHARACTERISTICS (SLAVE MODE)**



# dsPIC33EVXXGM00X/10X FAMILY

**TABLE 30-47: I2Cx BUS DATA TIMING REQUIREMENTS (SLAVE MODE)**

| AC CHARACTERISTICS |         |                               |                           | Standard Operating Conditions: 4.5V to 5.5V<br>(unless otherwise stated)<br>Operating temperature $-40^{\circ}\text{C} \leq T_A \leq +85^{\circ}\text{C}$ for Industrial<br>$-40^{\circ}\text{C} \leq T_A \leq +125^{\circ}\text{C}$ for Extended |      |                            |   |
|--------------------|---------|-------------------------------|---------------------------|---|------|----------------------------|---|
| Param. No.         | Symbol  | Characteristic <sup>(3)</sup> |                           | Min.  | Max. | Units                      | Conditions  |
| IS10               | TLO:SCL | Clock Low Time                | 100 kHz mode              | 4.7   | —    | $\mu\text{s}$              |   |
|                    |         |                               | 400 kHz mode              | 1.3   | —    | $\mu\text{s}$              |   |
|                    |         |                               | 1 MHz mode <sup>(1)</sup> | 0.5   | —    | $\mu\text{s}$              |   |
| IS11               | THI:SCL | Clock High Time               | 100 kHz mode              | 4.0   | —    | $\mu\text{s}$              | Device must operate at a minimum of 1.5 MHz                   |
|                    |         |                               | 400 kHz mode              | 0.6   | —    | $\mu\text{s}$              | Device must operate at a minimum of 10 MHz                    |
|                    |         |                               | 1 MHz mode <sup>(1)</sup> | 0.5   | —    | $\mu\text{s}$              |   |
| IS20               | TF:SCL  | SDAx and SCLx Fall Time       | 100 kHz mode              | —   | 300  | ns                         | Cb is specified to be from 10 to 400 pF                       |
|                    |         |                               | 400 kHz mode              | $20 + 0.1 \text{ Cb}$   | 300  | ns                         |   |
|                    |         |                               | 1 MHz mode <sup>(1)</sup> | —   | 100  | ns                         |   |
| IS21               | TR:SCL  | SDAx and SCLx Rise Time       | 100 kHz mode              | —   | 1000 | ns                         | Cb is specified to be from 10 to 400 pF                       |
|                    |         |                               | 400 kHz mode              | $20 + 0.1 \text{ Cb}$   | 300  | ns                         |   |
|                    |         |                               | 1 MHz mode <sup>(1)</sup> | —   | 300  | ns                         |   |
| IS25               | TSU:DAT | Data Input Setup Time         | 100 kHz mode              | 250   | —    | ns                         |   |
|                    |         |                               | 400 kHz mode              | 100   | —    | ns                         |   |
|                    |         |                               | 1 MHz mode <sup>(1)</sup> | 100   | —    | ns                         |   |
| IS26               | THD:DAT | Data Input Hold Time          | 100 kHz mode              | 0   | —    | $\mu\text{s}$              |   |
|                    |         |                               | 400 kHz mode              | 0   | 0.9  | $\mu\text{s}$              |   |
|                    |         |                               | 1 MHz mode <sup>(1)</sup> | 0   | 0.3  | $\mu\text{s}$              |   |
| IS30               | TSU:STA | Start Condition Setup Time    | 100 kHz mode              | 4.7   | —    | $\mu\text{s}$              | Only relevant for Repeated Start condition                    |
|                    |         |                               | 400 kHz mode              | 0.6   | —    | $\mu\text{s}$              |   |
|                    |         |                               | 1 MHz mode <sup>(1)</sup> | 0.25  | —    | $\mu\text{s}$              |   |
| IS31               | THD:STA | Start Condition Hold Time     | 100 kHz mode              | 4.0   | —    | $\mu\text{s}$              | After this period, the first clock pulse is generated         |
|                    |         |                               | 400 kHz mode              | 0.6   | —    | $\mu\text{s}$              |   |
|                    |         |                               | 1 MHz mode <sup>(1)</sup> | 0.25  | —    | $\mu\text{s}$              |   |
| IS33               | TSU:STO | Stop Condition Setup Time     | 100 kHz mode              | 4.7   | —    | $\mu\text{s}$              |   |
|                    |         |                               | 400 kHz mode              | 0.6   | —    | $\mu\text{s}$              |   |
|                    |         |                               | 1 MHz mode <sup>(1)</sup> | 0.6   | —    | $\mu\text{s}$              |   |
| IS34               | THD:STO | Stop Condition Hold Time      | 100 kHz mode              | 4   | —    | $\mu\text{s}$              |   |
|                    |         |                               | 400 kHz mode              | 0.6   | —    | $\mu\text{s}$              |   |
|                    |         |                               | 1 MHz mode <sup>(1)</sup> | 0.25  | —    | $\mu\text{s}$              |   |
| IS40               | TAA:SCL | Output Valid From Clock       | 100 kHz mode              | 0   | 3500 | ns                         |   |
|                    |         |                               | 400 kHz mode              | 0   | 1000 | ns                         |   |
|                    |         |                               | 1 MHz mode <sup>(1)</sup> | 0   | 350  | ns                         |   |
| IS45               | TBF:SDA | Bus Free Time                 | 100 kHz mode              | 4.7   | —    | $\mu\text{s}$              | Time the bus must be free before a new transmission can start |
|                    |         |                               | 400 kHz mode              | 1.3   | —    | $\mu\text{s}$              |   |
|                    |         |                               | 1 MHz mode <sup>(1)</sup> | 0.5   | —    | $\mu\text{s}$              |   |
| IS50               | Cb      | Bus Capacitive Loading        | —                         | 400   | pF   |                            |   |
| IS51               | TPGD    | Pulse Gobbler Delay           | 65                        | 390   | ns   | See <a href="#">Note 2</a> |   |

**Note 1:** Maximum pin capacitance = 10 pF for all I2Cx pins (for 1 MHz mode only).

**Note 2:** The typical value for this parameter is 130 ns.

**Note 3:** These parameters are characterized but not tested in manufacturing.

# dsPIC33EVXXGM00X/10X FAMILY

**FIGURE 30-32: CANx MODULE I/O TIMING CHARACTERISTICS**



**TABLE 30-48: CANx MODULE I/O TIMING REQUIREMENTS**

| AC CHARACTERISTICS |        |   | Standard Operating Conditions: 4.5V to 5.5V<br>(unless otherwise stated)<br>Operating temperature $-40^{\circ}\text{C} \leq T_A \leq +85^{\circ}\text{C}$ for Industrial<br>$-40^{\circ}\text{C} \leq T_A \leq +125^{\circ}\text{C}$ for Extended |                     |      |       |                    |
|--------------------|--------|---|---|---------------------|------|-------|--------------------|
| Param No.          | Symbol | Characteristic <sup>(1)</sup>             | Min.  | Typ. <sup>(2)</sup> | Max. | Units | Conditions         |
| CA10               | TioF   | Port Output Fall Time                     | —   | —                   | —    | ns    | See Parameter DO32 |
| CA11               | TioR   | Port Output Rise Time                     | —   | —                   | —    | ns    | See Parameter DO31 |
| CA20               | TcWF   | Pulse Width to Trigger CAN Wake-up Filter | 120   | —                   | —    | ns    |                    |

**Note 1:** These parameters are characterized but not tested in manufacturing.

**2:** Data in “Typ.” column is at 5.0V, +25°C unless otherwise stated. Parameters are for design guidance only and are not tested.

**FIGURE 30-33: UARTx MODULE I/O TIMING CHARACTERISTICS**



**TABLE 30-49: UARTx MODULE I/O TIMING REQUIREMENTS**

| AC CHARACTERISTICS |         |  | Standard Operating Conditions: 4.5V to 5.5V<br>(unless otherwise stated)<br>Operating temperature $-40^{\circ}\text{C} \leq T_A \leq +125^{\circ}\text{C}$ |                     |      |       |            |
|--------------------|---------|--|--|---------------------|------|-------|------------|
| Param No.          | Symbol  | Characteristic <sup>(1)</sup>                  | Min.   | Typ. <sup>(2)</sup> | Max. | Units | Conditions |
| UA10               | TUABAUD | UARTx Baud Time                                | 66.67  | —                   | —    | ns    |            |
| UA11               | FBAUD   | UARTx Baud Frequency                           | —  | —                   | 15   | Mbps  |            |
| UA20               | TcWF    | Start Bit Pulse Width to Trigger UARTx Wake-up | 500  | —                   | —    | ns    |            |

**Note 1:** These parameters are characterized but not tested in manufacturing.

**2:** Data in “Typ.” column is at 5.0V, +25°C unless otherwise stated. Parameters are for design guidance only and are not tested.

# dsPIC33EVXXGM00X/10X FAMILY

**TABLE 30-50: OP AMP/COMPARATOR x SPECIFICATIONS**

| DC CHARACTERISTICS                   |                 |  | Standard Operating Conditions (see <a href="#">Note 3</a> ): 4.5V to 5.5V (unless otherwise stated)<br>Operating temperature $-40^{\circ}\text{C} \leq T_A \leq +85^{\circ}\text{C}$ for Industrial<br>$-40^{\circ}\text{C} \leq T_A \leq +125^{\circ}\text{C}$ for Extended |                     |              |       |   |
|--------------------------------------|-----------------|--|--|---------------------|--------------|-------|---|
| Param No.                            | Symbol          | Characteristic                         | Min.   | Typ. <sup>(1)</sup> | Max.         | Units | Conditions  |
| <b>Comparator AC Characteristics</b> |                 |  |  |                     |              |       |   |
| CM10                                 | TRESP           | Response Time                          | —  | 19                  | 80           | ns    | V+ input step of 100 mV, V- input held at VDD/2         |
| CM11                                 | TMC2OV          | Comparator Mode Change to Output Valid | —  | —                   | 10           | μs    |   |
| <b>Comparator DC Characteristics</b> |                 |  |  |                     |              |       |   |
| CM30                                 | VOFFSET         | Comparator Offset Voltage              | -80  | ±60                 | 80           | mV    |   |
| CM31                                 | VHYST           | Input Hysteresis Voltage               | —  | 30                  | —            | mV    |   |
| CM32                                 | TRISE/<br>TFALL | Comparator Output Rise/Fall Time       | —  | 20                  | —            | ns    | 1 pF load capacitance on input                          |
| CM33                                 | VGAIN           | Open-Loop Voltage Gain                 | —  | 90                  | —            | db    |   |
| CM34                                 | VICM            | Input Common-Mode Voltage              | AVSS   | —                   | AVDD         | V     |   |
| <b>Op Amp AC Characteristics</b>     |                 |  |  |                     |              |       |   |
| CM20                                 | SR              | Slew Rate                              | —  | 9                   | —            | V/μs  | 10 pF load  |
| CM21                                 | PM              | Phase Margin                           | —  | 35                  | —            | °C    | G = 100V/V, 10 pF load                                  |
| CM22                                 | GM              | Gain Margin                            | —  | 20                  | —            | db    | G = 100V/V, 10 pF load                                  |
| CM23                                 | GBW             | Gain Bandwidth                         | —  | 10                  | —            | MHz   | 10 pF load  |
| <b>Op Amp DC Characteristics</b>     |                 |  |  |                     |              |       |   |
| CM40                                 | VCMR            | Common-Mode Input Voltage Range        | AVSS   | —                   | AVDD         | V     |   |
| CM41                                 | CMRR            | Common-Mode Rejection Ratio            | —  | 45                  | —            | db    | VCM = AVDD/2  |
| CM42                                 | VOFFSET         | Op Amp Offset Voltage                  | -50  | ±6                  | 50           | mV    |   |
| CM43                                 | VGAIN           | Open-Loop Voltage Gain                 | —  | 90                  | —            | db    |   |
| CM44                                 | IOS             | Input Offset Current                   | —  | —                   | —            | —     | See pad leakage currents in <a href="#">Table 30-10</a> |
| CM45                                 | IB              | Input Bias Current                     | —  | —                   | —            | —     | See pad leakage currents in <a href="#">Table 30-10</a> |
| CM46                                 | IOUT            | Output Current                         | —  | —                   | 420          | μA    | With minimum value of RFEEDBACK (CM48)                  |
| CM48                                 | RFEEDBACK       | Feedback Resistance Value              | 8  | —                   | —            | kΩ    | <a href="#">Note 2</a>                                  |
| CM49a                                | VOUT            | Output Voltage                         | AVSS + 0.075   | —                   | AVDD - 0.075 | V     | IOUT = 420 μA   |

**Note 1:** Data in "Typ." column is at 5.0V, +25°C unless otherwise stated.

**2:** Resistances can vary by ±10% between op amps.

**3:** Device is functional at  $V_{BORMIN} < V_{DD} < V_{DDMIN}$ , but will have degraded performance. Device functionality is tested, but not characterized. Analog modules: ADC, op amp/comparator and comparator voltage reference, will have degraded performance. Refer to Parameter [BO10](#) in [Table 30-12](#) for the minimum and maximum BOR values.



# dsPIC33EVXXGM00X/10X FAMILY

**TABLE 30-51: OP AMP/COMPARATOR x VOLTAGE REFERENCE SETTLING TIME SPECIFICATIONS**

| AC CHARACTERISTICS |        |                | Standard Operating Conditions (see <a href="#">Note 2</a> ): 4.5V to 5.5V (unless otherwise stated)<br>Operating temperature -40°C ≤ TA ≤ +85°C for Industrial<br>-40°C ≤ TA ≤ +125°C for Extended |      |      |       |                            |
|--------------------|--------|----------------|--|------|------|-------|----------------------------|
| Param.             | Symbol | Characteristic | Min.   | Typ. | Max. | Units | Conditions                 |
| VRD310             | TSET   | Settling Time  | —  | 1    | 10   | μs    | See <a href="#">Note 1</a> |

- Note 1:** Settling time measured while CVRSS = 1 and the CVR<6:0> bits transition from '0000000' to '1111111'.
- Note 2:** Device is functional at VBORMIN < VDD < VDDMIN, but will have degraded performance. Device functionality is tested, but not characterized. Analog modules: ADC, op amp/comparator and comparator voltage reference, will have degraded performance. Refer to Parameter [BO10](#) in [Table 30-12](#) for the minimum and maximum BOR values.

**TABLE 30-52: OP AMP/COMPARATOR x VOLTAGE REFERENCE SPECIFICATIONS**

| DC CHARACTERISTICS |        |  | Standard Operating Conditions (see <a href="#">Note 1</a> ): 4.5V to 5.5V (unless otherwise stated)<br>Operating temperature -40°C ≤ TA ≤ +85°C for Industrial<br>-40°C ≤ TA ≤ +125°C for Extended |      |            |       |                      |
|--------------------|--------|--|--|------|------------|-------|----------------------|
| Param No.          | Symbol | Characteristics  | Min.   | Typ. | Max.       | Units | Conditions           |
| VRD311             | CVRAA  | Absolute Accuracy of Internal DAC Input to Comparators | —  | ±25  | —          | mV    | AVDD = CVRSRC = 5.0V |
| VRD312             | CVRAA1 | Absolute Accuracy of CVREFXO Pins                      | —  | —    | +35/-65    | mV    | AVDD = CVRSRC = 5.0V |
| VRD313             | CVRSRC | Input Reference Voltage                                | 0  | —    | AVDD + 0.3 | V     |                      |
| VRD314             | CVR0UT | Buffer Output Resistance                               | —  | 1.5k | —          | Ω     |                      |
| VRD315             | CVCL   | Permissible Capacitive Load (CVREFXO pins)             | —  | —    | 25         | pF    |                      |
| VRD316             | IOCVR  | Permissible Current Output (CVREFXO pins)              | —  | —    | 1          | mA    |                      |
| VRD317             | ION    | Current Consumed when Module is Enabled                | —  | —    | 500        | μA    | AVDD = 5.0V          |
| VRD318             | IOFF   | Current Consumed when Module is Disabled               | —  | —    | 1          | nA    | AVDD = 5.0V          |

- Note 1:** Device is functional at VBORMIN < VDD < VDDMIN, but will have degraded performance. Device functionality is tested, but not characterized. Analog modules: ADC, op amp/comparator and comparator voltage reference, will have degraded performance. Refer to Parameter [BO10](#) in [Table 30-12](#) for the minimum and maximum BOR values.

# dsPIC33EVXXXGM00X/10X FAMILY

**TABLE 30-53: CTMU CURRENT SOURCE SPECIFICATIONS**

| DC CHARACTERISTICS         |        |  | Standard Operating Conditions: 4.5V to 5.5V<br>(unless otherwise stated)<br>Operating temperature -40°C ≤ TA ≤ +85°C for Industrial<br>-40°C ≤ TA ≤ +125°C for Extended |       |      |       |                                   |
|----------------------------|--------|--|---|-------|------|-------|-----------------------------------|
| Param No.                  | Symbol | Characteristic <sup>(1)</sup>                      | Min.  | Typ.  | Max. | Units | Conditions                        |
| <b>CTMU Current Source</b> |        |  |   |       |      |       |                                   |
| CTMUI1                     | IOUT1  | Base Range   | —   | 550   | —    | nA    | CTMUICON<9:8> = 01                |
| CTMUI2                     | IOUT2  | 10x Range  | —   | 5.5   | —    | μA    | CTMUICON<9:8> = 10                |
| CTMUI3                     | IOUT3  | 100x Range   | —   | 55    | —    | μA    | CTMUICON<9:8> = 11                |
| CTMUI4                     | IOUT4  | 1000x Range  | —   | 550   | —    | μA    | CTMUICON<9:8> = 00                |
| CTMUFV1                    | VF     | Temperature Diode Forward Voltage <sup>(1,2)</sup> | —   | 0.525 | —    | V     | TA = +25°C,<br>CTMUICON<9:8> = 01 |
|                            |        |  | —   | 0.585 | —    | V     | TA = +25°C,<br>CTMUICON<9:8> = 10 |
|                            |        |  | —   | 0.645 | —    | V     | TA = +25°C,<br>CTMUICON<9:8> = 11 |
| CTMUFV2                    | VFVR   | Temperature Diode Rate of Change <sup>(1,2)</sup>  | —   | -1.92 | —    | mV/°C | CTMUICON<9:8> = 01                |
|                            |        |  | —   | -1.74 | —    | mV/°C | CTMUICON<9:8> = 10                |
|                            |        |  | —   | -1.56 | —    | mV/°C | CTMUICON<9:8> = 11                |

**Note 1:** Nominal value at center point of current trim range (CTMUICON<15:10> = 000000).

**Note 2:** Parameters are characterized but not tested in manufacturing. Measurements are taken with the following conditions:

- VREF = AVDD = 5.0V
- ADC configured for 10-bit mode
- ADC configured for conversion speed of 500 ksps
- All PMDx bits are cleared (PMDx = 0)
- CPU executing
 

```
while(1)
{
NOP();
}
```
- Device operating from the FRC with no PLL

# dsPIC33EVXXGM00X/10X FAMILY

**TABLE 30-54: ADC MODULE SPECIFICATIONS**

| AC CHARACTERISTICS      |        |  | Standard Operating Conditions (see <a href="#">Note 1</a> ): 4.5V to 5.5V<br>(unless otherwise stated)<br>Operating temperature $-40^{\circ}\text{C} \leq T_A \leq +85^{\circ}\text{C}$ for Industrial<br>$-40^{\circ}\text{C} \leq T_A \leq +125^{\circ}\text{C}$ for Extended |      |                                   |                                |  |
|-------------------------|--------|--|---|------|-----------------------------------|--------------------------------|--|
| Param No.               | Symbol | Characteristic                                 | Min.  | Typ. | Max.                              | Units                          | Conditions   |
| <b>Device Supply</b>    |        |  |   |      |                                   |                                |  |
| AD01                    | AVDD   | Module VDD Supply                              | Greater of:<br>VDD – 0.3<br>or VBOR   | —    | Lesser of:<br>VDD + 0.3<br>or 5.5 | V                              |  |
| AD02                    | AVSS   | Module Vss Supply                              | Vss – 0.3   | —    | Vss + 0.3                         | V                              |  |
| <b>Reference Inputs</b> |        |  |   |      |                                   |                                |  |
| AD05                    | VREFH  | Reference Voltage High                         | 4.5   | —    | 5.5                               | V                              | VREFH = AVDD,<br>VREFL = AVSS = 0  |
| AD06                    | VREFL  | Reference Voltage Low                          | AVSS  | —    | AVDD – VBORMIN                    | V                              | See <a href="#">Note 1</a>   |
| AD06a                   |        |  | 0   | —    | 0                                 | V                              | VREFH = AVDD,<br>VREFL = AVSS = 0  |
| AD07                    | VREF   | Absolute Reference Voltage                     | 4.5   | —    | 5.5                               | V                              | VREF = VREFH – VREFL   |
| AD08                    | IREF   | Current Drain                                  | —   | —    | 10<br>600                         | $\mu\text{A}$<br>$\mu\text{A}$ | ADC off<br>ADC on  |
| AD09                    | IAD    | Operating Current                              | —   | 5    | —                                 | mA                             | ADC operating in 10-bit mode (see <a href="#">Note 1</a> )                             |
|                         |        |  | —   | 2    | —                                 | mA                             | ADC operating in 12-bit mode (see <a href="#">Note 1</a> )                             |
| <b>Analog Input</b>     |        |  |   |      |                                   |                                |  |
| AD12                    | VINH   | Input Voltage Range VINH                       | VINL  | —    | VREFH                             | V                              | This voltage reflects Sample-and-Hold Channels 0, 1, 2 and 3 (CH0-CH3), positive input |
| AD13                    | VINL   | Input Voltage Range VINL                       | VREFL   | —    | AVSS + 1V                         | V                              | This voltage reflects Sample-and-Hold Channels 0, 1, 2 and 3 (CH0-CH3), negative input |
| AD17                    | RIN    | Recommended Impedance of Analog Voltage Source | —   | —    | 200                               | $\Omega$                       | Impedance to achieve maximum performance of ADC  |

**Note 1:** Device is functional at  $\text{VBORMIN} < \text{VDD} < \text{VDDMIN}$ , but will have degraded performance. Device functionality is tested, but is not characterized. Analog modules: ADC, op amp/comparator and comparator voltage reference, will have degraded performance. Refer to Parameter [BO10](#) in [Table 30-12](#) for the minimum and maximum BOR values.

# dsPIC33EVXXGM00X/10X FAMILY

**TABLE 30-55: ADC MODULE SPECIFICATIONS (12-BIT MODE)**

| AC CHARACTERISTICS                       |        |                                | Standard Operating Conditions (see <a href="#">Note 1</a> ): 4.5V to 5.5V (unless otherwise stated)<br>Operating temperature -40°C ≤ TA ≤ +85°C for Industrial<br>-40°C ≤ TA ≤ +125°C for Extended |      |      |       |  |
|--|--------|--------------------------------|--|------|------|-------|--|
| Param No.                                | Symbol | Characteristic                 | Min.   | Typ. | Max. | Units | Conditions                                       |
| <b>ADC Accuracy (12-Bit Mode)</b>        |        |                                |  |      |      |       |  |
| AD20a                                    | Nr     | Resolution                     | 12 data bits   |      |      | bits  |  |
| AD21a                                    | INL    | Integral Nonlinearity          | -2   | —    | +2   | LSb   | VINL = AVSS = VREFL = 0V,<br>AVDD = VREFH = 5.5V |
| AD22a                                    | DNL    | Differential Nonlinearity      | > -1   | —    | < 1  | LSb   | VINL = AVSS = VREFL = 0V,<br>AVDD = VREFH = 5.5V |
| AD23a                                    | GERR   | Gain Error                     | -10  | 4    | 10   | LSb   | VINL = AVSS = VREFL = 0V,<br>AVDD = VREFH = 5.5V |
| AD24a                                    | EOFF   | Offset Error                   | -10  | 1.75 | 10   | LSb   | VINL = AVSS = VREFL = 0V,<br>AVDD = VREFH = 5.5V |
| AD25a                                    | —      | Monotonicity <sup>(2)</sup>    | —  | —    | —    | —     | Guaranteed                                       |
| <b>Dynamic Performance (12-Bit Mode)</b> |        |                                |  |      |      |       |  |
| AD30a                                    | THD    | Total Harmonic Distortion      | —  | —    | -75  | dB    |  |
| AD31a                                    | SINAD  | Signal to Noise and Distortion | 68.5   | 69.5 | —    | dB    |  |
| AD32a                                    | SFDR   | Spurious Free Dynamic Range    | 80   | —    | —    | dB    |  |
| AD33a                                    | FNYQ   | Input Signal Bandwidth         | —  | —    | 250  | kHz   |  |
| AD34a                                    | ENOB   | Effective Number of Bits       | 11.09  | 11.3 | —    | bits  |  |

**Note 1:** Device is functional at  $V_{BORMIN} < V_{DD} < V_{DDMIN}$ , but will have degraded performance. Device functionality is tested, but not characterized. Analog modules: ADC, op amp/comparator and comparator voltage reference, will have degraded performance. Refer to Parameter [BO10](#) in [Table 30-12](#) for the minimum and maximum BOR values.

**2:** The conversion result never decreases with an increase in the input voltage.

# dsPIC33EVXXGM00X/10X FAMILY

**TABLE 30-56: ADC MODULE SPECIFICATIONS (10-BIT MODE)**

| AC CHARACTERISTICS                       |        |                                | Standard Operating Conditions (see <a href="#">Note 1</a> ): 4.5V to 5.5V<br>(unless otherwise stated)<br>Operating temperature -40°C ≤ TA ≤ +85°C for Industrial<br>-40°C ≤ TA ≤ +125°C for Extended |      |      |       |  |
|--|--------|--------------------------------|---|------|------|-------|--|
| Param No.                                | Symbol | Characteristic                 | Min.  | Typ. | Max. | Units | Conditions                                       |
| <b>ADC Accuracy (10-Bit Mode)</b>        |        |                                |   |      |      |       |  |
| AD20b                                    | Nr     | Resolution                     | 10 data bits  |      |      | bits  |  |
| AD21b                                    | INL    | Integral Nonlinearity          | -1.5  | —    | +1.5 | LSb   | VINL = AVSS = VREFL = 0V,<br>AVDD = VREFH = 5.5V |
| AD22b                                    | DNL    | Differential Nonlinearity      | ≥ 1   | —    | < 1  | LSb   | VINL = AVSS = VREFL = 0V,<br>AVDD = VREFH = 5.5V |
| AD23b                                    | GERR   | Gain Error                     | 1   | 3    | 6    | LSb   | VINL = AVSS = VREFL = 0V,<br>AVDD = VREFH = 5.5V |
| AD24b                                    | EOFF   | Offset Error                   | 1   | 2    | 4    | LSb   | VINL = AVSS = VREFL = 0V,<br>AVDD = VREFH = 5.5V |
| AD25b                                    | —      | Monotonicity <sup>(2)</sup>    | —   | —    | —    | —     | Guaranteed                                       |
| <b>Dynamic Performance (10-Bit Mode)</b> |        |                                |   |      |      |       |  |
| AD30b                                    | THD    | Total Harmonic Distortion      | —   | —    | -64  | dB    |  |
| AD31b                                    | SINAD  | Signal to Noise and Distortion | 57  | 58.5 | —    | dB    |  |
| AD32b                                    | SFDR   | Spurious Free Dynamic Range    | 72  | —    | —    | dB    |  |
| AD33b                                    | FNYQ   | Input Signal Bandwidth         | —   | —    | 550  | kHz   |  |
| AD34b                                    | ENOB   | Effective Number of Bits       | 9.16  | 9.4  | —    | bits  |  |

**Note 1:** Device is functional at VBORMIN < VDD < VDDMIN, but will have degraded performance. Device functionality is tested, but is not characterized. Analog modules: ADC, op amp/comparator and comparator voltage reference, will have degraded performance. Refer to Parameter [BO10](#) in [Table 30-12](#) for the minimum and maximum BOR values.

**2:** The conversion result never decreases with an increase in the input voltage.

# dsPIC33EVXXGM00X/10X FAMILY

**FIGURE 30-34: ADC CONVERSION (12-BIT MODE) TIMING CHARACTERISTICS**  
**(ASAM = 0, SSRC<2:0> = 000, SSRCG = 0)**



# dsPIC33EVXXGM00X/10X FAMILY

**TABLE 30-57: ADC CONVERSION (12-BIT MODE) TIMING REQUIREMENTS**

| AC CHARACTERISTICS       |        |  | Standard Operating Conditions (see <a href="#">Note 2</a> ): 4.5V to 5.5V (unless otherwise stated)<br>Operating temperature -40°C ≤ TA ≤ +85°C for Industrial<br>-40°C ≤ TA ≤ +125°C for Extended |                     |      |       |                                      |
|--------------------------|--------|--|--|---------------------|------|-------|--------------------------------------|
| Param No.                | Symbol | Characteristic   | Min.   | Typ. <sup>(4)</sup> | Max. | Units | Conditions                           |
| <b>Clock Parameters</b>  |        |  |  |                     |      |       |                                      |
| AD50                     | TAD    | ADC Clock Period   | 117.6  | —                   | —    | ns    |                                      |
| AD51                     | trc    | ADC Internal RC Oscillator Period                                    | —  | 250                 | —    | ns    |                                      |
| <b>Conversion Rate</b>   |        |  |  |                     |      |       |                                      |
| AD55                     | tCONV  | Conversion Time  | —  | 14                  | —    | TAD   |                                      |
| AD56                     | FCNV   | Throughput Rate  | —  | —                   | 500  | ksps  |                                      |
| AD57a                    | TSAMP  | Sample Time when Sampling Any ANx Input                              | 3  | —                   | —    | TAD   |                                      |
| AD57b                    | TSAMP  | Sample Time when Sampling the Op Amp Outputs                         | 3  | —                   | —    | TAD   |                                      |
| <b>Timing Parameters</b> |        |  |  |                     |      |       |                                      |
| AD60                     | tpCS   | Conversion Start from Sample Trigger <sup>(1)</sup>                  | 2  | —                   | 3    | TAD   | Auto-convert trigger is not selected |
| AD61                     | tpSS   | Sample Start from Setting Sample (SAMP) bit <sup>(1)</sup>           | 2  | —                   | 3    | TAD   |                                      |
| AD62                     | tcSS   | Conversion Completion to Sample Start (ASAM = 1) <sup>(1)</sup>      | —  | 0.5                 | —    | TAD   |                                      |
| AD63                     | tDPU   | Time to Stabilize Analog Stage from ADC Off to ADC On <sup>(1)</sup> | —  | —                   | 20   | μs    | See <a href="#">Note 3</a>           |

- Note 1:** Because the sample caps will eventually lose charge, clock rates below 10 kHz may affect linearity performance, especially at elevated temperatures.
- 2:** Device is functional at VBORMIN < VDD < VDDMIN, but will have degraded performance. Device functionality is tested, but is not characterized. Analog modules: ADC, op amp/comparator and comparator voltage reference, will have degraded performance. Refer to Parameter [BO10](#) in [Table 30-12](#) for the minimum and maximum BOR values.
- 3:** The parameter, tDPU, is the time required for the ADC module to stabilize at the appropriate level when the module is turned on (ADON (ADxCON1<15>) = 1). During this time, the ADC result is indeterminate.
- 4:** These parameters are characterized but not tested in manufacturing.





# dsPIC33EVXXGM00X/10X FAMILY

**TABLE 30-58: ADC CONVERSION (10-BIT MODE) TIMING REQUIREMENTS**

| AC CHARACTERISTICS       |        |  | Standard Operating Conditions (see <a href="#">Note 1</a> ): 4.5V to 5.5V (unless otherwise stated)<br>Operating temperature -40°C ≤ TA ≤ +85°C for Industrial<br>-40°C ≤ TA ≤ +125°C for Extended |                     |      |       |                                      |
|--------------------------|--------|--|--|---------------------|------|-------|--------------------------------------|
| Param No.                | Symbol | Characteristic   | Min.   | Typ. <sup>(4)</sup> | Max. | Units | Conditions                           |
| <b>Clock Parameters</b>  |        |  |  |                     |      |       |                                      |
| AD50                     | TAD    | ADC Clock Period   | 75   | —                   | —    | ns    |                                      |
| AD51                     | trc    | ADC Internal RC Oscillator Period                                    | —  | 250                 | —    | ns    |                                      |
| <b>Conversion Rate</b>   |        |  |  |                     |      |       |                                      |
| AD55                     | tCONV  | Conversion Time  | —  | 12                  | —    | TAD   |                                      |
| AD56                     | FCNV   | Throughput Rate  | —  | —                   | 1.1  | Msp/s | Using simultaneous sampling          |
| AD57a                    | TSAMP  | Sample Time When Sampling Any ANx Input                              | 2  | —                   | —    | TAD   |                                      |
| AD57b                    | TSAMP  | Sample Time When Sampling the Op Amp Outputs                         | 4  | —                   | —    | TAD   |                                      |
| <b>Timing Parameters</b> |        |  |  |                     |      |       |                                      |
| AD60                     | tPCS   | Conversion Start from Sample Trigger <sup>(2)</sup>                  | 2  | —                   | 3    | TAD   | Auto-convert trigger is not selected |
| AD61                     | tPSS   | Sample Start from Setting Sample (SAMP) bit <sup>(2)</sup>           | 2  | —                   | 3    | TAD   |                                      |
| AD62                     | tcSS   | Conversion Completion to Sample Start (ASAM = 1) <sup>(2)</sup>      | —  | 0.5                 | —    | TAD   |                                      |
| AD63                     | tDPU   | Time to Stabilize Analog Stage from ADC Off to ADC On <sup>(2)</sup> | —  | —                   | 20   | μs    | See <a href="#">Note 3</a>           |

- Note 1:** Device is functional at VBORMIN < VDD < VDDMIN, but will have degraded performance. Device functionality is tested, but is not characterized. Analog modules: ADC, op amp/comparator and comparator voltage reference, will have degraded performance. Refer to Parameter [BO10](#) in [Table 30-12](#) for the minimum and maximum BOR values.
- 2:** Because the sample caps will eventually lose charge, clock rates below 10 kHz may affect linearity performance, especially at elevated temperatures.
- 3:** The parameter, tDPU, is the time required for the ADC module to stabilize at the appropriate level when the module is turned on (ADON (ADxCON1<15>) = 1). During this time, the ADC result is indeterminate.
- 4:** These parameters are characterized but not tested in manufacturing.

**TABLE 30-59: DMA MODULE TIMING REQUIREMENTS**

| AC CHARACTERISTICS |                                | Standard Operating Conditions: 4.5V to 5.5V (unless otherwise stated)<br>Operating temperature -40°C ≤ TA ≤ +85°C for Industrial<br>-40°C ≤ TA ≤ +125°C for Extended |                     |      |       |            |
|--------------------|--------------------------------|--|---------------------|------|-------|------------|
| Param No.          | Characteristic                 | Min.   | Typ. <sup>(1)</sup> | Max. | Units | Conditions |
| DM1                | DMA Byte/Word Transfer Latency | 1 Tcy <sup>(2)</sup>   | —                   | —    | ns    |            |

- Note 1:** These parameters are characterized but not tested in manufacturing.
- 2:** Because DMA transfers use the CPU data bus, this time is dependent on other functions on the bus.

# dsPIC33EVXXGM00X/10X FAMILY

---

---

NOTES:

## 31.0 HIGH-TEMPERATURE ELECTRICAL CHARACTERISTICS

This section provides an overview of the dsPIC33EVXXXGM00X/10X family electrical characteristics for devices operating in an ambient temperature range of -40°C to +150°C.

The specifications between -40°C to +150°C are identical to those shown in [Section 30.0 “Electrical Characteristics”](#) for operation between -40°C to +125°C, with the exception of the parameters listed in this section.

Parameters in this section begin with an H, which denotes High temperature. For example, Parameter [DC10](#) in [Section 30.0 “Electrical Characteristics”](#) is the Industrial and Extended temperature equivalent of [HDC10](#).

Absolute maximum ratings for the dsPIC33EVXXXGM00X/10X family high-temperature devices are listed below. Exposure to these maximum rating conditions for extended periods can affect device reliability. Functional operation of the device at these, or any other conditions above the parameters indicated in the operation listings of this specification, is not implied.

### Absolute Maximum Ratings<sup>(1)</sup>

|  |                 |
|--|-----------------|
| Ambient temperature under bias <sup>(2)</sup> .....                | -40°C to +150°C |
| Storage temperature .....  | -65°C to +160°C |
| Voltage on VDD with respect to VSS .....                           | -0.3V to +6.0V  |
| Maximum current out of VSS pin .....                               | 350 mA          |
| Maximum current into VDD pin <sup>(3)</sup> .....                  | 350 mA          |
| Maximum junction temperature .....                                 | +155°C          |
| Maximum current sunk by any I/O pin .....                          | 20 mA           |
| Maximum current sourced by I/O pin .....                           | 18 mA           |
| Maximum current sunk by all ports combined .....                   | 200 mA          |
| Maximum current sourced by all ports combined <sup>(3)</sup> ..... | 200 mA          |

**Note 1:** Stresses above those listed under “Absolute Maximum Ratings” can cause permanent damage to the device. This is a stress rating only, and functional operation of the device at those or any other conditions above those indicated in the operation listings of this specification is not implied. Exposure to maximum rating conditions for extended periods can affect device reliability.

**2:** AEC-Q100 reliability testing for devices intended to operate at +150°C is 1,000 hours. Any design in which the total operating time from +125°C to +150°C will be greater than 1,000 hours is not warranted without prior written approval from Microchip Technology Inc.

**3:** Maximum allowable current is a function of device maximum power dissipation (see [Table 31-2](#)).

# dsPIC33EVXXGM00X/10X FAMILY

## 31.1 High-Temperature DC Characteristics

**TABLE 31-1: OPERATING MIPS vs. VOLTAGE**

| Characteristic | VDD Range (in Volts)          | Temperature Range (in °C) | Max MIPS                    |
|----------------|-------------------------------|---------------------------|-----------------------------|
|                |                               |                           | dsPIC33EVXXGM00X/10X Family |
| HDC5           | 4.5V to 5.5V <sup>(1,2)</sup> | -40°C to +150°C           | 40                          |

**Note 1:** Device is functional at  $V_{BORMIN} < V_{DD} < V_{DDMIN}$ . Analog modules, such as the ADC, op amp/comparator and comparator voltage reference, will have degraded performance. Device functionality is tested but is not characterized. Refer to Parameter **BO10** in [Table 30-12](#) for the minimum and maximum BOR values.

**2:** When BOR is enabled, the device will work from 4.7V to 5.5V.

**TABLE 31-2: THERMAL OPERATING CONDITIONS**

| Rating   | Symbol | Min                       | Typ | Max  | Unit |
|--|--------|---------------------------|-----|------|------|
| High-Temperature Devices   |        |                           |     |      |      |
| Operating Junction Temperature Range   | TJ     | -40                       | —   | +155 | °C   |
| Operating Ambient Temperature Range  | TA     | -40                       | —   | +150 | °C   |
| Power Dissipation:<br>Internal Chip Power Dissipation:<br>$P_{INT} = V_{DD} \times (I_{DD} - \Sigma I_{OH})$<br>I/O Pin Power Dissipation:<br>$I/O = \Sigma (\{V_{DD} - V_{OH}\} \times I_{OH}) + \Sigma (V_{OL} \times I_{OL})$ | PD     | PINT + PI/O               |     |      | W    |
| Maximum Allowed Power Dissipation  | PDMAX  | $(T_J - T_A)/\theta_{JA}$ |     |      | W    |

**TABLE 31-3: DC TEMPERATURE AND VOLTAGE SPECIFICATIONS**

| DC CHARACTERISTICS       |        |  | Standard Operating Conditions (see <a href="#">Note 3</a> ): 4.5V to 5.5V (unless otherwise stated)<br>Operating temperature $-40^\circ\text{C} \leq T_A \leq +150^\circ\text{C}$ for High Temperature |                     |      |       |   |
|--------------------------|--------|--|--|---------------------|------|-------|---|
| Param No.                | Symbol | Characteristic   | Min.   | Typ. <sup>(1)</sup> | Max. | Units | Conditions  |
| <b>Operating Voltage</b> |        |  |  |                     |      |       |   |
| HDC10                    | VDD    | <b>Supply Voltage<sup>(3)</sup></b>                                  | VBOR   | —                   | 5.5  | V     |   |
| HDC12                    | VDR    | <b>RAM Data Retention Voltage<sup>(2)</sup></b>                      | 1.8  | —                   | —    | V     |   |
| HDC16                    | VPOR   | <b>VDD Start Voltage</b><br>to Ensure Internal Power-on Reset Signal | —  | —                   | VSS  | V     |   |
| HDC17                    | SVDD   | <b>VDD Rise Rate</b><br>to Ensure Internal Power-on Reset Signal     | 1.0  | —                   | —    | V/ms  | 0V-5.0V in 5 ms                                   |
| HDC18                    | VCORE  | <b>VDD Core</b><br>Internal Regulator Voltage                        | 1.62   | 1.8                 | 1.98 | V     | Voltage is dependent on load, temperature and VDD |

**Note 1:** Data in “Typ.” column is at 5.0V, +25°C unless otherwise stated.

**2:** This is the limit to which VDD may be lowered without losing RAM data.

**3:** VDD voltage must remain at VSS for a minimum of 200 μs to ensure POR.

# dsPIC33EVXXGM00X/10X FAMILY

**TABLE 31-4: DC CHARACTERISTICS: POWER-DOWN CURRENT (IPD)**

| DC CHARACTERISTICS              |         |      | Standard Operating Conditions: 4.5V to 5.5V (unless otherwise stated)<br>Operating temperature $-40^{\circ}\text{C} \leq T_A \leq +150^{\circ}\text{C}$ for High Temperature |            |    |  |
|---------------------------------|---------|------|--|------------|----|--|
| Parameter No.                   | Typical | Max  | Units  | Conditions |    |  |
| <b>Power-Down Current (IPD)</b> |         |      |  |            |    |  |
| HDC60e                          | 1300    | 2500 | $\mu\text{A}$  | +150°C     | 5V | Base Power-Down Current                  |
| HDC61c                          | 10      | 50   | $\mu\text{A}$  | +150°C     | 5V | Watchdog Timer Current: $\Delta I_{WDT}$ |

**TABLE 31-5: DC CHARACTERISTICS: IDLE CURRENT (I<sub>IDLE</sub>)**

| DC CHARACTERISTICS |         |     | Standard Operating Conditions: 4.5V to 5.5V (unless otherwise stated)<br>Operating temperature $-40^{\circ}\text{C} \leq T_A \leq +150^{\circ}\text{C}$ for High Temperature |            |    |         |
|--------------------|---------|-----|--|------------|----|---------|
| Parameter No.      | Typical | Max | Units  | Conditions |    |         |
| HDC40e             | 2.6     | 5.0 | mA   | +150°C     | 5V | 10 MIPS |
| HDC42e             | 3.6     | 7.0 | mA   | +150°C     | 5V | 20 MIPS |

**TABLE 31-6: DC CHARACTERISTICS: OPERATING CURRENT (I<sub>DD</sub>)**

| DC CHARACTERISTICS |         |      | Standard Operating Conditions: 4.5V to 5.5V (unless otherwise stated)<br>Operating temperature $-40^{\circ}\text{C} \leq T_A \leq +150^{\circ}\text{C}$ for High Temperature |            |    |         |
|--------------------|---------|------|--|------------|----|---------|
| Parameter No.      | Typical | Max  | Units  | Conditions |    |         |
| HDC20e             | 5.9     | 8.0  | mA   | +150°C     | 5V | 10 MIPS |
| HDC22e             | 10.3    | 15.0 | mA   | +150°C     | 5V | 20 MIPS |
| HDC23e             | 19.0    | 25.0 | mA   | +150°C     | 5V | 40 MIPS |

**TABLE 31-7: DC CHARACTERISTICS: DOZE CURRENT (I<sub>DOZE</sub>)**

| DC CHARACTERISTICS |         |      | Standard Operating Conditions: 4.5V to 5.5V (unless otherwise stated)<br>Operating temperature $-40^{\circ}\text{C} \leq T_A \leq +150^{\circ}\text{C}$ for High Temperature |       |            |    |
|--------------------|---------|------|--|-------|------------|----|
| Parameter No.      | Typical | Max  | Doze Ratio   | Units | Conditions |    |
| HDC73a             | 18.5    | 22.0 | 1:2  | mA    | +150°C     | 5V |
| HDC73g             | 8.35    | 12.0 | 1:128  | mA    |            |    |

# dsPIC33EVXXGM00X/10X FAMILY

**TABLE 31-8: DC CHARACTERISTICS: I/O PIN INPUT SPECIFICATIONS**

| DC CHARACTERISTICS |                   |   | Standard Operating Conditions: 4.5V to 5.5V<br>(unless otherwise stated)<br>Operating temperature $-40^{\circ}\text{C} \leq T_A \leq +150^{\circ}\text{C}$ for High Temperature |                     |                     |       |  |
|--------------------|-------------------|---|---|---------------------|---------------------|-------|--|
| Param No.          | Symbol            | Characteristic  | Min.  | Typ. <sup>(1)</sup> | Max.                | Units | Conditions   |
| DI10               | V <sub>IL</sub>   | <b>Input Low Voltage</b><br>Any I/O Pins                                  | V <sub>SS</sub>   | —                   | 0.2 V <sub>DD</sub> | V     |  |
| DI20               | V <sub>IH</sub>   | <b>Input High Voltage</b><br>I/O Pins                                     | 0.75 V <sub>DD</sub>  | —                   | 5.5                 | V     |  |
| DI30               | IC <sub>NPU</sub> | <b>Change Notification Pull-up Current</b>                                | 200   | 375                 | 600                 | μA    | V <sub>DD</sub> = 5.0V, V <sub>PIN</sub> = V <sub>SS</sub>   |
| DI31               | IC <sub>NPD</sub> | <b>Change Notification Pull-Down Current<sup>(7)</sup></b>                | 175   | 400                 | 625                 | μA    | V <sub>DD</sub> = 5.0V, V <sub>PIN</sub> = V <sub>DD</sub>   |
| DI50               | I <sub>IL</sub>   | <b>Input Leakage Current<sup>(2,3)</sup></b><br>I/O Pins                  | -200  | —                   | 200                 | nA    | V <sub>SS</sub> ≤ V <sub>PIN</sub> ≤ V <sub>DD</sub> ,<br>pin at high-impedance  |
| DI55               |                   | $\overline{\text{MCLR}}$  | -1.5  | —                   | 1.5                 | μA    | V <sub>SS</sub> ≤ V <sub>PIN</sub> ≤ V <sub>DD</sub>   |
| DI56               |                   | OSC1  | -300  | —                   | 300                 | nA    | V <sub>SS</sub> ≤ V <sub>PIN</sub> ≤ V <sub>DD</sub> ,<br>XT and HS modes  |
| DI60a              | I <sub>ICL</sub>  | <b>Input Low Injection Current</b>  | 0   | —                   | -5 <sup>(4,6)</sup> | mA    | All pins except V <sub>DD</sub> , V <sub>SS</sub> ,<br>AV <sub>DD</sub> , AV <sub>SS</sub> , $\overline{\text{MCLR}}$ , V <sub>CAP</sub><br>and RB7  |
| DI60b              | I <sub>ICH</sub>  | <b>Input High Injection Current</b>                                       | 0   | —                   | +5 <sup>(5,6)</sup> | mA    | All pins except V <sub>DD</sub> , V <sub>SS</sub> ,<br>AV <sub>DD</sub> , AV <sub>SS</sub> , $\overline{\text{MCLR}}$ ,<br>V <sub>CAP</sub> , RB7 and all 5V<br>tolerant pins <sup>(5)</sup> |
| DI60c              | ∑I <sub>ICT</sub> | <b>Total Input Injection Current</b><br>(sum of all I/O and control pins) | -20 <sup>(7)</sup>  | —                   | +20 <sup>(7)</sup>  | mA    | Absolute instantaneous<br>sum of all ± input injection<br>currents from all I/O pins<br>(   I <sub>ICL</sub>   +   I <sub>ICH</sub>   ) ≤ ∑I <sub>ICT</sub>                                  |

- Note 1:** Data in “Typ.” column is at 5.0V, +25°C unless otherwise stated.
- 2:** The leakage current on the  $\overline{\text{MCLR}}$  pin is strongly dependent on the applied voltage level. The specified levels represent normal operating conditions. Higher leakage current can be measured at different input voltages.
- 3:** Negative current is defined as current sourced by the pin.
- 4:** V<sub>IL</sub> source < (V<sub>SS</sub> – 0.3). Characterized but not tested.
- 5:** Digital 5V tolerant pins cannot tolerate any “positive” input injection current from input sources > 5.5V.
- 6:** Non-zero injection currents can affect the ADC results by approximately 4-6 counts.
- 7:** Any number and/or combination of I/O pins not excluded under I<sub>ICL</sub> or I<sub>ICH</sub> conditions are permitted, provided the mathematical “absolute instantaneous” sum of the input injection currents from all pins do not exceed the specified limit. Characterized but not tested.

# dsPIC33EVXXGM00X/10X FAMILY

**TABLE 31-9: DC CHARACTERISTICS: I/O PIN OUTPUT SPECIFICATIONS**

| DC CHARACTERISTICS |        |  | Standard Operating Conditions: 4.5V to 5.5V (unless otherwise stated)<br>Operating temperature $-40^{\circ}\text{C} \leq T_A \leq +150^{\circ}\text{C}$ for High Temperature |      |      |       |                            |
|--------------------|--------|--|--|------|------|-------|----------------------------|
| Param No.          | Symbol | Characteristic   | Min. <sup>(1)</sup>  | Typ. | Max. | Units | Conditions                 |
| HDO16              | VOL    | <b>Output Low Voltage</b><br>4x Sink Driver Pins <sup>(2)</sup>  | —  | —    | 0.4  | V     | IOL = 8.8 mA, VDD = 5.0V   |
| HDO10              | VOL    | <b>Output Low Voltage</b><br>8x Sink Driver Pins <sup>(3)</sup>  | —  | —    | 0.4  | V     | IOL = 10.8 mA, VDD = 5.0V  |
| HDO26              | VOH    | <b>Output High Voltage</b><br>4x Sink Driver Pins <sup>(2)</sup> | VDD – 0.6  | —    | —    | V     | IOH = -8.3 mA, VDD = 5.0V  |
| HDO20              | VOH    | <b>Output High Voltage</b><br>8x Sink Driver Pins                | VDD – 0.6  | —    | —    | V     | IOH = -12.3 mA, VDD = 5.0V |

**Note 1:** Parameters are characterized but not tested.

**2:** Includes all I/O pins that are not 8x sink driver pins (see below).

**3:** Includes the pins, such as RA3, RA4 and RB<15:10> for 28-pin devices, RA3, RA4, RA9 and RB<15:10> for 44-pin devices, and RA4, RA7, RA9, RB<15:10> and RC15 for 64-pin devices.

**TABLE 31-10: ELECTRICAL CHARACTERISTICS: BOR**

| DC CHARACTERISTICS |        |  | Standard Operating Conditions: 4.5V to 5.5V (unless otherwise stated)<br>Operating temperature $-40^{\circ}\text{C} \leq T_A \leq +150^{\circ}\text{C}$ for High Temperature |       |      |       |   |
|--------------------|--------|--|--|-------|------|-------|---|
| Param No.          | Symbol | Characteristic                             | Min. <sup>(1)</sup>  | Typ.  | Max. | Units | Conditions  |
| HBO10              | VBOR   | BOR Event on VDD<br>Transition High-to-Low | 4.15   | 4.285 | 4.4  | V     | VDD (see <a href="#">Note 2</a> , <a href="#">Note 3</a> and <a href="#">Note 4</a> ) |

**Note 1:** Parameters are for design guidance only and are not tested in manufacturing.

**2:** The VBOR specification is relative to the VDD.

**3:** The device is functional at VBORMIN < VDD < VDDMIN. Analog modules: ADC, op amp/comparator and comparator voltage reference will have degraded performance. Device functionality is tested but is not characterized.

**4:** The start-up VDD must rise above 4.6V.

**TABLE 31-11: DC CHARACTERISTICS: PROGRAM MEMORY**

| DC CHARACTERISTICS |        |   | Standard Operating Conditions: 4.5V to 5.5V (unless otherwise stated)<br>Operating temperature $-40^{\circ}\text{C} \leq T_A \leq +150^{\circ}\text{C}$ for High Temperature |      |      |       |  |
|--------------------|--------|---|--|------|------|-------|--|
| Param No.          | Symbol | Characteristic <sup>(1)</sup>                 | Min.   | Typ. | Max. | Units | Conditions   |
| HD130              | EP     | <b>Program Flash Memory</b><br>Cell Endurance | 10,000   | —    | —    | E/W   | $-40^{\circ}\text{C}$ to $+150^{\circ}\text{C}$ <sup>(2)</sup><br>1000 E/W cycles or less and no other specifications are violated |
| HD134              | TRETD  | Characteristic Retention                      | 20   | —    | —    | Year  |  |

**Note 1:** These parameters are assured by design, but are not characterized or tested in manufacturing.

**2:** Programming of the Flash memory is allowed up to  $+150^{\circ}\text{C}$ .

# dsPIC33EVXXGM00X/10X FAMILY

## 31.2 AC Characteristics and Timing Parameters

The information contained in this section defines the dsPIC33EVXXGM00X/10X family AC characteristics and timing parameters for high-temperature devices. However, all AC timing specifications in this section are the same as those in [Section 30.2 “AC Characteristics and Timing Parameters”](#), with the exception of the parameters listed in this section.

Parameters in this section begin with an H, which denotes High temperature. For example, Parameter OS53 in [Section 30.2 “AC Characteristics and Timing Parameters”](#) is the Industrial and Extended temperature equivalent of HOS53.

**TABLE 31-12: TEMPERATURE AND VOLTAGE SPECIFICATIONS – AC**

|                           |  |
|---------------------------|--|
| <b>AC CHARACTERISTICS</b> | <b>Standard Operating Conditions: 4.5V to 5.5V (unless otherwise stated)</b><br>Operating temperature $-40^{\circ}\text{C} \leq T_A \leq +150^{\circ}\text{C}$<br>Operating voltage VDD range as described in <a href="#">Table 31-1</a> . |
|---------------------------|--|

**FIGURE 31-1: LOAD CONDITIONS FOR DEVICE TIMING SPECIFICATIONS**





# dsPIC33EVXXGM00X/10X FAMILY

**TABLE 31-13: PLL CLOCK TIMING SPECIFICATIONS**

| AC CHARACTERISTICS |        |   | Standard Operating Conditions: 4.5V to 5.5V<br>(unless otherwise stated)<br>Operating temperature $-40^{\circ}\text{C} \leq T_A \leq +150^{\circ}\text{C}$ |                     |      |       |                    |
|--------------------|--------|---|--|---------------------|------|-------|--------------------|
| Param No.          | Symbol | Characteristic  | Min.   | Typ. <sup>(1)</sup> | Max. | Units | Conditions         |
| HOS50              | FPLLI  | PLL Voltage Controlled Oscillator (VCO) Input Frequency Range | 0.8  | —                   | 8.0  | MHz   | ECPLL, XTPLL modes |
| HOS51              | FSYS   | On-Chip VCO System Frequency                                  | 120  | —                   | 340  | MHz   |                    |
| HOS52              | TLOCK  | PLL Start-up Time (Lock Time)                                 | 0.9  | 1.5                 | 3.1  | ms    |                    |
| HOS53              | DCLK   | CLKO Stability (Jitter) <sup>(2)</sup>                        | -3   | 0.5                 | 3    | %     |                    |

**Note 1:** Data in “Typ.” column is at 5.0V, +25°C unless otherwise stated. Parameters are for design guidance only and are not tested.

**2:** This jitter specification is based on clock cycle-by-clock cycle measurements. To get the effective jitter for individual time bases or communication clocks used by the application, use the following formula:

$$\text{Effective Jitter} = \frac{DCLK}{\sqrt{\frac{FOSC}{\text{Time Base or Communication Clock}}}}$$

For example, if Fosc = 120 MHz and the SPI bit rate = 10 MHz, the effective jitter is as follows:

$$\text{Effective Jitter} = \frac{DCLK}{\sqrt{\frac{120}{10}}} = \frac{DCLK}{\sqrt{12}} = \frac{DCLK}{3.464}$$

**TABLE 31-14: INTERNAL FRC ACCURACY**

| AC CHARACTERISTICS  |                | Standard Operating Conditions: 4.5V to 5.5V (unless otherwise stated)<br>Operating temperature $-40^{\circ}\text{C} \leq T_A \leq +150^{\circ}\text{C}$ |     |     |       |   |
|---|----------------|---|-----|-----|-------|---|
| Param No.   | Characteristic | Min   | Typ | Max | Units | Conditions  |
| <b>Internal FRC Accuracy @ FRC Frequency = 7.3728 MHz</b> |                |   |     |     |       |   |
| HF20C   | FRC            | -3  | 1   | +3  | %     | $-40^{\circ}\text{C} \leq T_A \leq +150^{\circ}\text{C}$ VDD = 4.5V to 5.5V |

**TABLE 31-15: INTERNAL LPRC ACCURACY**

| AC CHARACTERISTICS                       |                | Standard Operating Conditions: 4.5V to 5.5V (unless otherwise stated)<br>Operating temperature $-40^{\circ}\text{C} \leq T_A \leq +150^{\circ}\text{C}$ |     |     |       |   |
|--|----------------|---|-----|-----|-------|---|
| Param No.                                | Characteristic | Min   | Typ | Max | Units | Conditions  |
| <b>LPRC @ 32.768 kHz<sup>(1,2)</sup></b> |                |   |     |     |       |   |
| HF21C                                    | LPRC           | -30   | 10  | +30 | %     | $-40^{\circ}\text{C} \leq T_A \leq +150^{\circ}\text{C}$ VDD = 4.5V to 5.5V |

**Note 1:** Change of LPRC frequency as VDD changes.

**2:** LPRC accuracy impacts the Watchdog Timer Time-out Period (TWDT1). See [Section 27.5 “Watchdog Timer \(WDT\)”](#) for more information.

# dsPIC33EVXXGM00X/10X FAMILY

**TABLE 31-16: CTMU CURRENT SOURCE SPECIFICATIONS**

| DC CHARACTERISTICS         |        |  | Standard Operating Conditions: 4.5V to 5.5V<br>(unless otherwise stated)<br>Operating temperature $-40^{\circ}\text{C} \leq T_A \leq +150^{\circ}\text{C}$ |       |      |               |   |
|----------------------------|--------|--|--|-------|------|---------------|---|
| Param No.                  | Symbol | Characteristic <sup>(1)</sup>                    | Min.   | Typ.  | Max. | Units         | Conditions  |
| <b>CTMU Current Source</b> |        |  |  |       |      |               |   |
| HCTMUI1                    | IOUT1  | Base Range                                       | —  | 550   | —    | nA            | CTMUICON<9.8> = 01                                  |
| HCTMUI2                    | IOUT2  | 10x Range  | —  | 5.5   | —    | $\mu\text{A}$ | CTMUICON<9.8> = 10                                  |
| HCTMUI3                    | IOUT3  | 100x Range                                       | —  | 55    | —    | $\mu\text{A}$ | CTMUICON<9.8> = 11                                  |
| HCTMUI0                    | IOUT4  | 1000x Range                                      | —  | 550   | —    | $\mu\text{A}$ | CTMUICON<9.8> = 00                                  |
| HCTMUFV1                   | VF     | Temperature Diode Forward Voltage <sup>(2)</sup> | —  | 0.525 | —    | V             | $T_A = +25^{\circ}\text{C}$ ,<br>CTMUICON<9.8> = 01 |
|                            |        |  | —  | 0.585 | —    | V             | $T_A = +25^{\circ}\text{C}$ ,<br>CTMUICON<9.8> = 10 |
|                            |        |  | —  | 0.645 | —    | V             | $T_A = +25^{\circ}\text{C}$ ,<br>CTMUICON<9.8> = 11 |

**Note 1:** Normal value at center point of current trim range (CTMUICON<15:10> = 000000).

**2:** Parameters are characterized but not tested in manufacturing. Measurements are taken with the following conditions:

- $V_{REF} = AV_{DD} = 5.0\text{V}$
- ADC module configured for 10-bit mode
- ADC module configured for conversion speed of 500 ksp/s
- All PMDx bits are cleared (PMDx = 0)
- CPU executing
 

```
while(1)
{
  NOP();
}
```
- Device operating from the FRC with no PLL

# dsPIC33EVXXGM00X/10X FAMILY

**TABLE 31-17: OP AMP/COMPARATOR x SPECIFICATIONS**

| DC CHARACTERISTICS                             |                     |                                 | Standard Operating Conditions (see Note 3): 4.5V to 5.5V<br>(unless otherwise stated)<br>Operating temperature $-40^{\circ}\text{C} \leq T_A \leq +150^{\circ}\text{C}$ |                     |                  |       |            |
|--|---------------------|---------------------------------|---|---------------------|------------------|-------|------------|
| Param No.                                      | Symbol              | Characteristic                  | Min.  | Typ. <sup>(1)</sup> | Max.             | Units | Conditions |
| <b>Comparator DC Characteristics</b>           |                     |                                 |   |                     |                  |       |            |
| HCM30  | V <sub>OFFSET</sub> | Comparator Offset Voltage       | -80   | ±60                 | 80               | mV    |            |
| HCM31  | V <sub>HYST</sub>   | Input Hysteresis Voltage        | —   | 30                  | —                | mV    |            |
| HCM34  | V <sub>ICM</sub>    | Input Common-Mode Voltage       | AV <sub>SS</sub>  | —                   | AV <sub>DD</sub> | V     |            |
| <b>Op Amp DC Characteristics<sup>(2)</sup></b> |                     |                                 |   |                     |                  |       |            |
| HCM40  | V <sub>CMR</sub>    | Common-Mode Input Voltage Range | AV <sub>SS</sub>  | —                   | AV <sub>DD</sub> | V     |            |
| HCM42  | V <sub>OFFSET</sub> | Op Amp Offset Voltage           | -50   | ±6                  | 50               | mV    |            |

- Note 1:** Data in “Typ.” column is at 5.0V, +25°C unless otherwise stated.
- 2:** Resistances can vary by ±10% between op amps.
- 3:** Device is functional at  $V_{BORMIN} < V_{DD} < V_{DDMIN}$ , but will have degraded performance. Device functionality is tested, but is not characterized. Analog modules: ADC, op amp/comparator and comparator voltage reference, will have degraded performance. Refer to Parameter HBO10 in Table 31-10 for the minimum and maximum BOR values.

**TABLE 31-18: ADC MODULE SPECIFICATIONS (12-BIT MODE)**

| AC CHARACTERISTICS                |                  |                           | Standard Operating Conditions (see Note 1): 4.5V to 5.5V<br>(unless otherwise stated)<br>Operating temperature $-40^{\circ}\text{C} \leq T_A \leq +150^{\circ}\text{C}$ |      |      |       |  |
|-----------------------------------|------------------|---------------------------|---|------|------|-------|--|
| Param No.                         | Symbol           | Characteristic            | Min.  | Typ. | Max. | Units | Conditions   |
| <b>ADC Accuracy (12-Bit Mode)</b> |                  |                           |   |      |      |       |  |
| HAD20a                            | Nr               | Resolution                | 12 data bits  |      |      | bits  |  |
| HAD21a                            | INL              | Integral Nonlinearity     | -2  | —    | +2   | LSb   | V <sub>INL</sub> = AV <sub>SS</sub> = V <sub>REFL</sub> = 0V,<br>AV <sub>DD</sub> = V <sub>REFH</sub> = 5.5V |
| HAD22a                            | DNL              | Differential Nonlinearity | > -1  | —    | < 1  | LSb   | V <sub>INL</sub> = AV <sub>SS</sub> = V <sub>REFL</sub> = 0V,<br>AV <sub>DD</sub> = V <sub>REFH</sub> = 5.5V |
| HAD23a                            | GERR             | Gain Error                | -10   | 4    | 10   | LSb   | V <sub>INL</sub> = AV <sub>SS</sub> = V <sub>REFL</sub> = 0V,<br>AV <sub>DD</sub> = V <sub>REFH</sub> = 5.5V |
| HAD24a                            | E <sub>OFF</sub> | Offset Error              | -10   | 1.75 | 10   | LSb   | V <sub>INL</sub> = AV <sub>SS</sub> = V <sub>REFL</sub> = 0V,<br>AV <sub>DD</sub> = V <sub>REFH</sub> = 5.5V |

- Note 1:** Device is functional at  $V_{BORMIN} < V_{DD} < V_{DDMIN}$ , but will have degraded performance. Device functionality is tested, but is not characterized. Analog modules: ADC, op amp/comparator and comparator voltage reference, will have degraded performance. Refer to Parameter BO10 in Table 30-12 for the minimum and maximum BOR values.

# dsPIC33EVXXGM00X/10X FAMILY

**TABLE 31-19: ADC MODULE SPECIFICATIONS (10-BIT MODE)**

| AC CHARACTERISTICS                |                  |                           | Standard Operating Conditions (see <a href="#">Note 1</a> ): 4.5V to 5.5V<br>(unless otherwise stated)<br>Operating temperature $-40^{\circ}\text{C} \leq T_A \leq +150^{\circ}\text{C}$ |      |       |       |  |
|-----------------------------------|------------------|---------------------------|--|------|-------|-------|--|
| Param No.                         | Symbol           | Characteristic            | Min.   | Typ. | Max.  | Units | Conditions   |
| <b>ADC Accuracy (10-Bit Mode)</b> |                  |                           |  |      |       |       |  |
| HAD20b                            | Nr               | Resolution                | 10 data bits   |      |       | bits  |  |
| HAD21b                            | INL              | Integral Nonlinearity     | -1.5   | —    | +1.5  | LSb   | $V_{INL} = AV_{SS} = V_{REFL} = 0V$ ,<br>$AV_{DD} = V_{REFH} = 5.5V$ |
| HAD22b                            | DNL              | Differential Nonlinearity | $\geq 1$   | —    | $< 1$ | LSb   | $V_{INL} = AV_{SS} = V_{REFL} = 0V$ ,<br>$AV_{DD} = V_{REFH} = 5.5V$ |
| HAD23b                            | GERR             | Gain Error                | 1  | 3    | 6     | LSb   | $V_{INL} = AV_{SS} = V_{REFL} = 0V$ ,<br>$AV_{DD} = V_{REFH} = 5.5V$ |
| HAD24b                            | E <sub>OFF</sub> | Offset Error              | 1  | 2    | 4     | LSb   | $V_{INL} = AV_{SS} = V_{REFL} = 0V$ ,<br>$AV_{DD} = V_{REFH} = 5.5V$ |

**Note 1:** Device is functional at  $V_{BORMIN} < V_{DD} < V_{DDMIN}$ , but will have degraded performance. Device functionality is tested, but is not characterized. Analog modules: ADC, op amp/comparator and comparator voltage reference, will have degraded performance. Refer to Parameter [HBO10](#) in [Table 31-10](#) for the minimum and maximum BOR values.

# dsPIC33EVXXGM00X/10X FAMILY

## 32.0 CHARACTERISTICS FOR INDUSTRIAL/EXTENDED TEMPERATURE DEVICES (-40°C TO +125°C)

### 32.1 I<sub>DD</sub>

FIGURE 32-1: TYPICAL/MAXIMUM I<sub>DD</sub> vs. F<sub>osc</sub> (EC MODE, 10 MHz TO 70 MHz, 5.5V MAX)



FIGURE 32-2: TYPICAL I<sub>DD</sub> vs. V<sub>DD</sub> (EC MODE, 10 MIPS)



# dsPIC33EVXXXGM00X/10X FAMILY

FIGURE 32-3: TYPICAL  $I_{DD}$  vs.  $V_{DD}$  (EC MODE, 20 MIPS)



FIGURE 32-4: TYPICAL  $I_{DD}$  vs.  $V_{DD}$  (EC MODE, 40 MIPS)



# dsPIC33EVXXGM00X/10X FAMILY

FIGURE 32-5: TYPICAL I<sub>DD</sub> vs. V<sub>DD</sub> (EC MODE, 60 MIPS)



FIGURE 32-6: TYPICAL I<sub>DD</sub> vs. V<sub>DD</sub> (EC MODE, 70 MIPS)



# dsPIC33EVXXXGM00X/10X FAMILY

## 32.2 IDLE

FIGURE 32-7: TYPICAL/MAXIMUM  $I_{IDLE}$  vs.  $F_{OSC}$  (EC MODE 10 MHz TO 70 MHz, 5.5V MAX)



FIGURE 32-8: TYPICAL  $I_{IDLE}$  vs.  $V_{DD}$  (EC MODE, 10 MIPS)





# dsPIC33EVXXGM00X/10X FAMILY

FIGURE 32-9: TYPICAL I<sub>IDLE</sub> vs. V<sub>DD</sub> (EC MODE, 20 MIPS)



FIGURE 32-10: TYPICAL I<sub>IDLE</sub> vs. V<sub>DD</sub> (EC MODE, 40 MIPS)



# dsPIC33EVXXXGM00X/10X FAMILY

FIGURE 32-11: TYPICAL I<sub>IDLE</sub> vs. V<sub>DD</sub> (EC MODE, 60 MIPS)



FIGURE 32-12: TYPICAL I<sub>IDLE</sub> vs. V<sub>DD</sub> (EC MODE, 70 MIPS)



32.3 IDOZE

FIGURE 32-13: TYPICAL IDOZE vs. VDD (DOZE 1:2, 70 MIPS)



FIGURE 32-14: TYPICAL/MAXIMUM IDOZE vs. TEMPERATURE (DOZE 1:2, 70 MIPS)



# dsPIC33EVXXXGM00X/10X FAMILY

FIGURE 32-15: TYPICAL I<sub>DOZE</sub> vs. V<sub>DD</sub> (DOZE 1:128, 70 MIPS)



FIGURE 32-16: TYPICAL/MAXIMUM I<sub>DOZE</sub> vs. TEMPERATURE (DOZE 1:128, 70 MIPS)



32.4 IPD

FIGURE 32-17: TYPICAL IPD vs. VDD



FIGURE 32-18: TYPICAL/MAXIMUM IPD vs. TEMPERATURE



# dsPIC33EVXXXGM00X/10X FAMILY

FIGURE 32-19: TYPICAL/MAXIMUM  $\Delta I_{WDT}$  vs. TEMPERATURE



## 32.5 FRC

FIGURE 32-20: TYPICAL FRC ACCURACY vs.  $V_{DD}$



# dsPIC33EVXXGM00X/10X FAMILY

FIGURE 32-21: TYPICAL FRC ACCURACY vs. TEMPERATURE (5.5V VDD)



## 32.6 LPRC

FIGURE 32-22: TYPICAL LPRC ACCURACY vs. VDD



# dsPIC33EVXXXGM00X/10X FAMILY

FIGURE 32-23: TYPICAL LPRC ACCURACY vs. TEMPERATURE (5.5V VDD)



## 32.7 Leakage Current

FIGURE 32-24: TYPICAL I<sub>IL</sub> vs. TEMPERATURE ( $\overline{MCLR}$ )





# dsPIC33EVXXGM00X/10X FAMILY

FIGURE 32-25: TYPICAL IIL vs. TEMPERATURE (OSC1)



FIGURE 32-26: TYPICAL IIL vs. TEMPERATURE (GENERAL PURPOSE I/Os)



# dsPIC33EVXXXGM00X/10X FAMILY

## 32.8 Pull-up and Pull-Down Current

FIGURE 32-27: TYPICAL PULL-UP CURRENT ( $V_{PIN} = V_{SS}$ ) vs. TEMPERATURE



FIGURE 32-28: TYPICAL PULL-DOWN CURRENT ( $V_{PIN} = 5.5V$ ) vs. TEMPERATURE



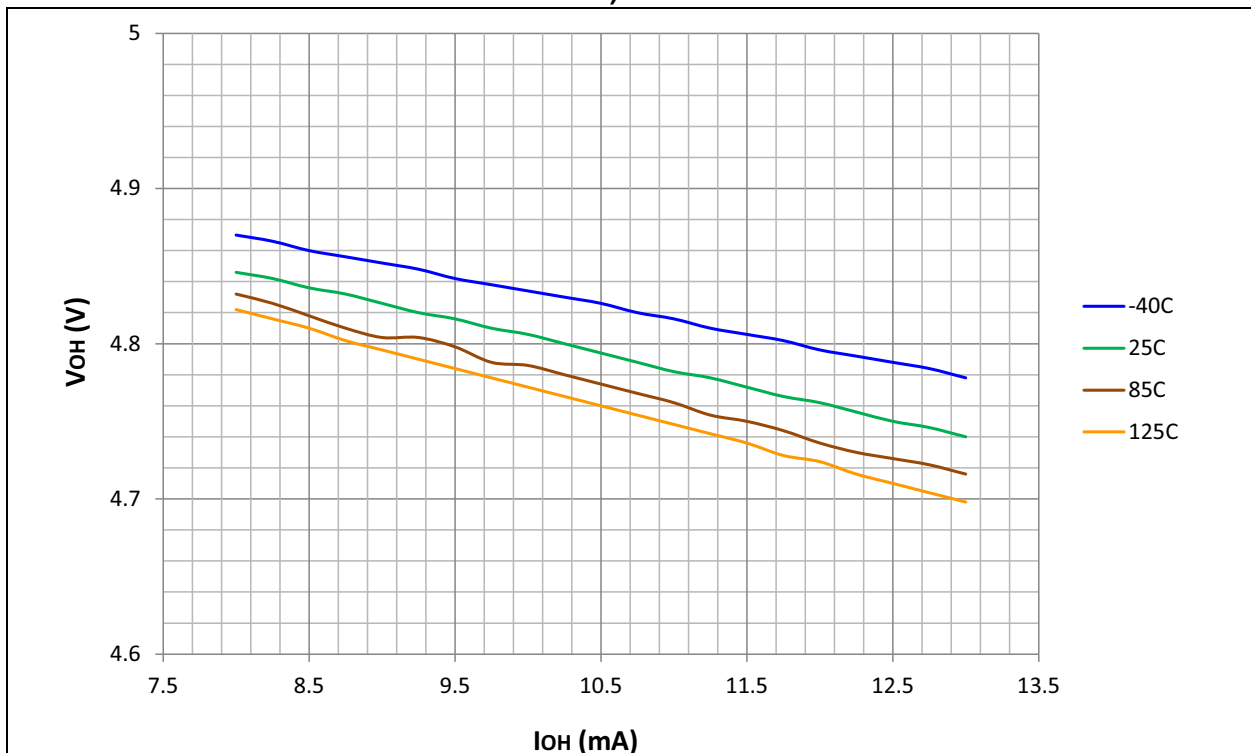
## 32.9 Voltage Input Low ( $V_{IL}$ ) – Voltage Input High ( $V_{IH}$ )

FIGURE 32-29: TYPICAL  $V_{IH}/V_{IL}$  vs. TEMPERATURE (GENERAL PURPOSE I/Os)



## 32.10 Voltage Output Low ( $V_{OL}$ ) – Voltage Output High ( $V_{OH}$ )

FIGURE 32-30: TYPICAL  $V_{OH}$  8x DRIVER PINS vs.  $I_{OH}$  (GENERAL PURPOSE I/Os, TEMPERATURES AS NOTED)



# dsPIC33EVXXXGM00X/10X FAMILY

**FIGURE 32-31: TYPICAL  $V_{OH}$  4x DRIVER PINS vs.  $I_{OH}$  (GENERAL PURPOSE I/Os, TEMPERATURES AS NOTED)**



**FIGURE 32-32: TYPICAL  $V_{OL}$  8x DRIVER PINS vs.  $I_{OL}$  (GENERAL PURPOSE I/Os, TEMPERATURES AS NOTED)**



# dsPIC33EVXXGM00X/10X FAMILY

FIGURE 32-33: TYPICAL  $V_{OL}$  4x DRIVER PINS vs.  $I_{OL}$  (GENERAL PURPOSE I/Os, TEMPERATURES AS NOTED)



## 32.11 $V_{REG}$

FIGURE 32-34: TYPICAL REGULATOR VOLTAGE vs. TEMPERATURE



# dsPIC33EVXXXGM00X/10X FAMILY

## 32.12 V<sub>BOR</sub>

FIGURE 32-35: TYPICAL BOR TRIP RANGE vs. TEMPERATURE



## 32.13 RAM Retention

FIGURE 32-36: TYPICAL RAM RETENTION VOLTAGE vs. TEMPERATURE



32.14 Comparator Op Amp Offset

FIGURE 32-37: TYPICAL COMPARATOR OFFSET vs.  $V_{CM}$



FIGURE 32-38: TYPICAL OP AMP OFFSET vs.  $V_{CM}$  OP AMP OFFSET



# dsPIC33EVXXXGM00X/10X FAMILY

## 32.15 CTMU Current vs. Temperature

FIGURE 32-39: TYPICAL CTMU CURRENT (IRNG) vs. TEMPERATURE



## 32.16 CTMU Temperature Forward Diode

FIGURE 32-40: TYPICAL CTMU TEMPERATURE DIODE FORWARD VOLTAGE vs. TEMPERATURE





32.17 ADC DNL

FIGURE 32-41: TYPICAL DNL ( $V_{DD} = 5.5V, -40^{\circ}C$ )



FIGURE 32-42: TYPICAL DNL ( $V_{DD} = 5.5V, +25^{\circ}C$ )



# dsPIC33EVXXXGM00X/10X FAMILY

FIGURE 32-43: TYPICAL DNL ( $V_{DD} = 5.5V, +85^{\circ}C$ )



FIGURE 32-44: TYPICAL DNL ( $V_{DD} = 5.5V, +125^{\circ}C$ )



## 32.18 ADC INL

FIGURE 32-45: TYPICAL INL ( $V_{DD} = 5.5V, -40^{\circ}C$ )



FIGURE 32-46: TYPICAL INL ( $V_{DD} = 5.5V, +25^{\circ}C$ )



# dsPIC33EVXXXGM00X/10X FAMILY

FIGURE 32-47: TYPICAL INL ( $V_{DD} = 5.5V, +85^{\circ}C$ )



FIGURE 32-48: TYPICAL INL ( $V_{DD} = 5.5V, +125^{\circ}C$ )



32.19 ADC Gain Offset Error

FIGURE 32-49: TYPICAL ADC GAIN ERROR vs. TEMPERATURE



FIGURE 32-50: TYPICAL ADC OFFSET ERROR vs. TEMPERATURE



# dsPIC33EVXXGM00X/10X FAMILY

---

---

NOTES:

# dsPIC33EVXXGM00X/10X FAMILY

## 33.0 CHARACTERISTICS FOR HIGH-TEMPERATURE DEVICES (+150°C)

### 33.1 I<sub>DD</sub>

FIGURE 33-1: TYPICAL/MAXIMUM I<sub>DD</sub> vs. F<sub>OSC</sub> (EC MODE 10 MHz TO 40 MHz, 5.5V MAX)



FIGURE 33-2: TYPICAL I<sub>DD</sub> vs. V<sub>DD</sub> (EC MODE, 10 MIPS)



# dsPIC33EVXXXGM00X/10X FAMILY

FIGURE 33-3: TYPICAL  $I_{DD}$  vs.  $V_{DD}$  (EC MODE, 20 MIPS)



FIGURE 33-4: TYPICAL  $I_{DD}$  vs.  $V_{DD}$  (EC MODE, 40 MIPS)





# dsPIC33EVXXGM00X/10X FAMILY

## 33.2 IDLE

FIGURE 33-5: TYPICAL/MAXIMUM  $I_{IDLE}$  vs.  $F_{OSC}$  (EC MODE 10 MHz TO 40 MHz, 5.5V MAX)



FIGURE 33-6: TYPICAL  $I_{IDLE}$  vs.  $V_{DD}$  (EC MODE, 10 MIPS)



# dsPIC33EVXXXGM00X/10X FAMILY

FIGURE 33-7: TYPICAL I<sub>IDLE</sub> vs. V<sub>DD</sub> (EC MODE, 20 MIPS)



FIGURE 33-8: TYPICAL I<sub>IDLE</sub> vs. V<sub>DD</sub> (EC MODE, 40 MIPS)



# dsPIC33EVXXGM00X/10X FAMILY

## 33.3 IDOZE

FIGURE 33-9: TYPICAL IDOZE vs. VDD (DOZE 1:2, 70 MIPS)



FIGURE 33-10: TYPICAL/MAXIMUM IDOZE vs. TEMPERATURE (DOZE 1:2, 70 MIPS)

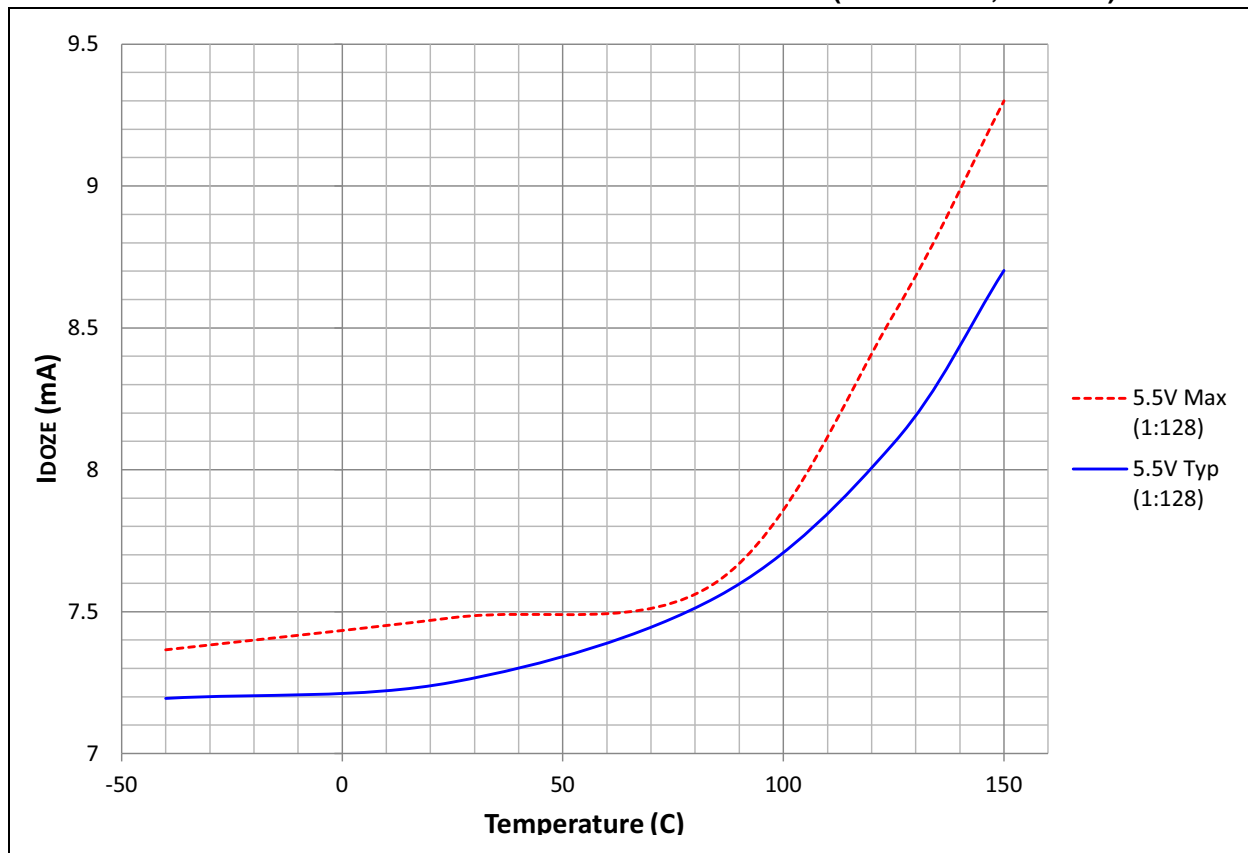


# dsPIC33EVXXXGM00X/10X FAMILY

FIGURE 33-11: TYPICAL I<sub>DOZE</sub> vs. V<sub>DD</sub> (DOZE 1:128, 70 MIPS)



FIGURE 33-12: TYPICAL/MAXIMUM I<sub>DOZE</sub> vs. TEMPERATURE (DOZE 1:128, 70 MIPS)



33.4 IPD

FIGURE 33-13: TYPICAL IPD vs. VDD



FIGURE 33-14: TYPICAL/MAXIMUM IPD vs. TEMPERATURE



# dsPIC33EVXXXGM00X/10X FAMILY

FIGURE 33-15: TYPICAL/MAXIMUM  $\Delta I_{WDT}$  vs. TEMPERATURE



## 33.5 FRC

FIGURE 33-16: TYPICAL FRC ACCURACY vs.  $V_{DD}$



FIGURE 33-17: TYPICAL FRC ACCURACY vs. TEMPERATURE (5.5V VDD)



## 33.6 LPRC

FIGURE 33-18: TYPICAL LPRC ACCURACY vs. VDD



# dsPIC33EVXXXGM00X/10X FAMILY

FIGURE 33-19: TYPICAL LPRC ACCURACY vs. TEMPERATURE (5.5V VDD)



## 33.7 Leakage Current

FIGURE 33-20: TYPICAL  $I_{IL}$  vs. TEMPERATURE ( $\overline{MCLR}$ )





# dsPIC33EVXXGM00X/10X FAMILY

FIGURE 33-21: TYPICAL I<sub>IL</sub> vs. TEMPERATURE (OSC1)



FIGURE 33-22: TYPICAL I<sub>IL</sub> vs. TEMPERATURE (GENERAL PURPOSE I/Os)



# dsPIC33EVXXXGM00X/10X FAMILY

## 33.8 Pull-up/Pull-Down Current

FIGURE 33-23: TYPICAL PULL-DOWN CURRENT ( $V_{PIN} = 5.5V$ ) vs. TEMPERATURE



FIGURE 33-24: TYPICAL PULL-UP CURRENT ( $V_{PIN} = 5.5V$ ) vs. TEMPERATURE



## 33.9 Voltage Input High ( $V_{IH}$ ) – Voltage Input Low ( $V_{IL}$ )

FIGURE 33-25: TYPICAL  $V_{IH}/V_{IL}$  vs. TEMPERATURE (GENERAL PURPOSE I/Os)



# dsPIC33EVXXXGM00X/10X FAMILY

## 33.10 Voltage Output Low (VoL) – Voltage Output High (VoH)

FIGURE 33-26: TYPICAL VoH 8x DRIVER PINS vs. IoH (GENERAL PURPOSE I/Os, TEMPERATURES AS NOTED)



# dsPIC33EVXXGM00X/10X FAMILY

**FIGURE 33-27: TYPICAL  $V_{OH}$  4x DRIVER PINS vs.  $I_{OH}$  (GENERAL PURPOSE I/Os, TEMPERATURES AS NOTED)**



**FIGURE 33-28: TYPICAL  $V_{OL}$  8x DRIVER PINS vs.  $I_{OL}$  (GENERAL PURPOSE I/Os, TEMPERATURES AS NOTED)**



# dsPIC33EVXXXGM00X/10X FAMILY

FIGURE 33-29: TYPICAL  $V_{OL}$  4x DRIVER PINS vs.  $I_{OL}$  (GENERAL PURPOSE I/Os, TEMPERATURES AS NOTED)



## 33.11 VREG

FIGURE 33-30: TYPICAL REGULATOR VOLTAGE vs. TEMPERATURE



## 33.12 V<sub>BOR</sub>

FIGURE 33-31: TYPICAL BOR TRIP RANGE vs. TEMPERATURE



## 33.13 RAM Retention

FIGURE 33-32: TYPICAL RAM RETENTION VOLTAGE vs. TEMPERATURE



# dsPIC33EVXXXGM00X/10X FAMILY

## 33.14 Comparator Op Amp Offset

FIGURE 33-33: TYPICAL COMPARATOR OFFSET vs.  $V_{CM}$



FIGURE 33-34: TYPICAL OP AMP OFFSET vs.  $V_{CM}$





## 33.15 CTMU Current V/S Temperature

FIGURE 33-35: TYPICAL CTMU CURRENT (IRNG) vs. TEMPERATURE



## 33.16 CTMU Temperature Forward Diode (V)

FIGURE 33-36: TYPICAL CTMU TEMPERATURE DIODE FORWARD VOLTAGE vs. TEMPERATURE



# dsPIC33EVXXXGM00X/10X FAMILY

## 33.17 ADC DNL

FIGURE 33-37: TYPICAL DNL ( $V_{DD} = 5.5V, +150^{\circ}C$ )



## 33.18 ADC INL

FIGURE 33-38: TYPICAL INL ( $V_{DD} = 5.5V, +150^{\circ}C$ )



33.19 ADC Gain Offset Error

FIGURE 33-39: TYPICAL ADC GAIN ERROR vs. TEMPERATURE



FIGURE 33-40: TYPICAL ADC OFFSET ERROR vs. TEMPERATURE



# dsPIC33EVXXGM00X/10X FAMILY

---

---

NOTES:

# dsPIC33EVXXGM00X/10X FAMILY

## 34.0 PACKAGING INFORMATION

### 34.1 Package Marking Information

28-Lead SPDIP (.300")



Example



28-Lead SOIC (.300")



Example



28-Lead SSOP



Example



28-Lead QFN-S (6x6x0.9 mm)



Example



|                |        |  |
|----------------|--------|--|
| <b>Legend:</b> | XX...X | Customer-specific information              |
|                | Y      | Year code (last digit of calendar year)    |
|                | YY     | Year code (last 2 digits of calendar year) |
|                | WW     | Week code (week of January 1 is week '01') |
|                | NNN    | Alphanumeric traceability code             |

**Note:** In the event the full Microchip part number cannot be marked on one line, it will be carried over to the next line, thus limiting the number of available characters for customer-specific information.

# dsPIC33EVXXXGM00X/10X FAMILY

## 34.1 Package Marking Information (Continued)

44-Lead TQFP (10x10x1 mm)



Example



44-Lead QFN (8x8 mm)



Example



64-Lead TQFP (10x10x1 mm)



Example



64-Lead QFN (9x9x0.9 mm)



Example



# dsPIC33EVXXGM00X/10X FAMILY

## 34.2 Package Details

The following sections give the technical details of the packages.

### 28-Lead Skinny Plastic Dual In-Line (SP) – 300 mil Body [SPDIP]

**Note:** For the most current package drawings, please see the Microchip Packaging Specification located at <http://www.microchip.com/packaging>



| Dimension Limits           | Units | INCHES   |       |       |
|----------------------------|-------|----------|-------|-------|
|                            |       | MIN      | NOM   | MAX   |
| Number of Pins             | N     | 28       |       |       |
| Pitch                      | e     | .100 BSC |       |       |
| Top to Seating Plane       | A     | –        | –     | .200  |
| Molded Package Thickness   | A2    | .120     | .135  | .150  |
| Base to Seating Plane      | A1    | .015     | –     | –     |
| Shoulder to Shoulder Width | E     | .290     | .310  | .335  |
| Molded Package Width       | E1    | .240     | .285  | .295  |
| Overall Length             | D     | 1.345    | 1.365 | 1.400 |
| Tip to Seating Plane       | L     | .110     | .130  | .150  |
| Lead Thickness             | c     | .008     | .010  | .015  |
| Upper Lead Width           | b1    | .040     | .050  | .070  |
| Lower Lead Width           | b     | .014     | .018  | .022  |
| Overall Row Spacing §      | eB    | –        | –     | .430  |

**Notes:**

1. Pin 1 visual index feature may vary, but must be located within the hatched area.
2. § Significant Characteristic.
3. Dimensions D and E1 do not include mold flash or protrusions. Mold flash or protrusions shall not exceed .010" per side.
4. Dimensioning and tolerancing per ASME Y14.5M.

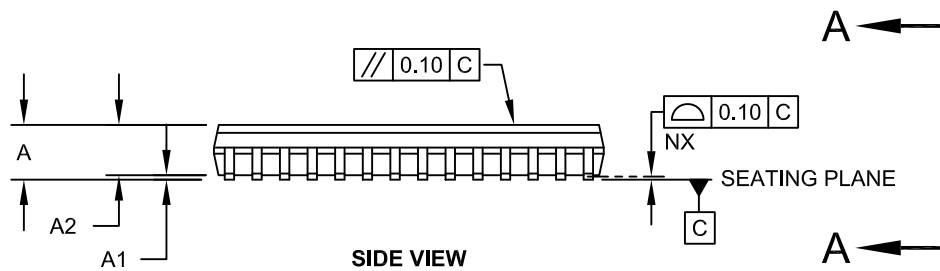
BSC: Basic Dimension. Theoretically exact value shown without tolerances.

Microchip Technology Drawing C04-070B

# dsPIC33EVXXXGM00X/10X FAMILY

## 28-Lead Plastic Small Outline (SO) - Wide, 7.50 mm Body [SOIC]

**Note:** For the most current package drawings, please see the Microchip Packaging Specification located at <http://www.microchip.com/packaging>



Microchip Technology Drawing C04-052C Sheet 1 of 2



# dsPIC33EVXXGM00X/10X FAMILY

## 28-Lead Plastic Small Outline (SO) - Wide, 7.50 mm Body [SOIC]

**Note:** For the most current package drawings, please see the Microchip Packaging Specification located at <http://www.microchip.com/packaging>



|                          |    | Units | MILLIMETERS |     |      |
|--------------------------|----|-------|-------------|-----|------|
| Dimension Limits         |    |       | MIN         | NOM | MAX  |
| Number of Pins           | N  |       | 28          |     |      |
| Pitch                    | e  |       | 1.27 BSC    |     |      |
| Overall Height           | A  | -     | -           | -   | 2.65 |
| Molded Package Thickness | A2 | 2.05  | -           | -   | -    |
| Standoff §               | A1 | 0.10  | -           | -   | 0.30 |
| Overall Width            | E  |       | 10.30 BSC   |     |      |
| Molded Package Width     | E1 |       | 7.50 BSC    |     |      |
| Overall Length           | D  |       | 17.90 BSC   |     |      |
| Chamfer (Optional)       | h  | 0.25  | -           | -   | 0.75 |
| Foot Length              | L  | 0.40  | -           | -   | 1.27 |
| Footprint                | L1 |       | 1.40 REF    |     |      |
| Lead Angle               | θ  | 0°    | -           | -   | -    |
| Foot Angle               | φ  | 0°    | -           | -   | 8°   |
| Lead Thickness           | c  | 0.18  | -           | -   | 0.33 |
| Lead Width               | b  | 0.31  | -           | -   | 0.51 |
| Mold Draft Angle Top     | α  | 5°    | -           | -   | 15°  |
| Mold Draft Angle Bottom  | β  | 5°    | -           | -   | 15°  |

### Notes:

- Pin 1 visual index feature may vary, but must be located within the hatched area.
- § Significant Characteristic
- Dimension D does not include mold flash, protrusions or gate burrs, which shall not exceed 0.15 mm per end. Dimension E1 does not include interlead flash or protrusion, which shall not exceed 0.25 mm per side.
- Dimensioning and tolerancing per ASME Y14.5M
  - BSC: Basic Dimension. Theoretically exact value shown without tolerances.
  - REF: Reference Dimension, usually without tolerance, for information purposes only.
- Datums A & B to be determined at Datum H.

Microchip Technology Drawing C04-052C Sheet 2 of 2

# dsPIC33EVXXXGM00X/10X FAMILY

28-Lead Plastic Small Outline (SO) - Wide, 7.50 mm Body [SOIC]

**Note:** For the most current package drawings, please see the Microchip Packaging Specification located at <http://www.microchip.com/packaging>



## RECOMMENDED LAND PATTERN

| Dimension Limits         | Units | MILLIMETERS |      |      |
|--------------------------|-------|-------------|------|------|
|                          |       | MIN         | NOM  | MAX  |
| Contact Pitch            | E     | 1.27 BSC    |      |      |
| Contact Pad Spacing      | C     |             | 9.40 |      |
| Contact Pad Width (X28)  | X     |             |      | 0.60 |
| Contact Pad Length (X28) | Y     |             |      | 2.00 |
| Distance Between Pads    | Gx    | 0.67        |      |      |
| Distance Between Pads    | G     | 7.40        |      |      |

Notes:

1. Dimensioning and tolerancing per ASME Y14.5M

BSC: Basic Dimension. Theoretically exact value shown without tolerances.

Microchip Technology Drawing No. C04-2052A

# dsPIC33EVXXGM00X/10X FAMILY

## 28-Lead Plastic Shrink Small Outline (SS) – 5.30 mm Body [SSOP]

**Note:** For the most current package drawings, please see the Microchip Packaging Specification located at <http://www.microchip.com/packaging>



| Dimension Limits         | Units | MILLIMETERS |       |       |
|--------------------------|-------|-------------|-------|-------|
|                          |       | MIN         | NOM   | MAX   |
| Number of Pins           | N     | 28          |       |       |
| Pitch                    | e     | 0.65 BSC    |       |       |
| Overall Height           | A     | –           | –     | 2.00  |
| Molded Package Thickness | A2    | 1.65        | 1.75  | 1.85  |
| Standoff                 | A1    | 0.05        | –     | –     |
| Overall Width            | E     | 7.40        | 7.80  | 8.20  |
| Molded Package Width     | E1    | 5.00        | 5.30  | 5.60  |
| Overall Length           | D     | 9.90        | 10.20 | 10.50 |
| Foot Length              | L     | 0.55        | 0.75  | 0.95  |
| Footprint                | L1    | 1.25 REF    |       |       |
| Lead Thickness           | c     | 0.09        | –     | 0.25  |
| Foot Angle               | φ     | 0°          | 4°    | 8°    |
| Lead Width               | b     | 0.22        | –     | 0.38  |

**Notes:**

- Pin 1 visual index feature may vary, but must be located within the hatched area.
- Dimensions D and E1 do not include mold flash or protrusions. Mold flash or protrusions shall not exceed 0.20 mm per side.
- Dimensioning and tolerancing per ASME Y14.5M.

BSC: Basic Dimension. Theoretically exact value shown without tolerances.

REF: Reference Dimension, usually without tolerance, for information purposes only.

Microchip Technology Drawing C04-073B

# dsPIC33EVXXXGM00X/10X FAMILY

28-Lead Plastic Shrink Small Outline (SS) - 5.30 mm Body [SSOP]

**Note:** For the most current package drawings, please see the Microchip Packaging Specification located at <http://www.microchip.com/packaging>



RECOMMENDED LAND PATTERN

| Dimension Limits         | Units | MILLIMETERS |      |      |
|--------------------------|-------|-------------|------|------|
|                          |       | MIN         | NOM  | MAX  |
| Contact Pitch            | E     | 0.65 BSC    |      |      |
| Contact Pad Spacing      | C     |             | 7.20 |      |
| Contact Pad Width (X28)  | X1    |             |      | 0.45 |
| Contact Pad Length (X28) | Y1    |             |      | 1.75 |
| Distance Between Pads    | G     | 0.20        |      |      |

**Notes:**

1. Dimensioning and tolerancing per ASME Y14.5M

BSC: Basic Dimension. Theoretically exact value shown without tolerances.

Microchip Technology Drawing No. C04-2073A

# dsPIC33EVXXGM00X/10X FAMILY

## 28-Lead Plastic Quad Flat, No Lead Package (MM) - 6x6x0.9mm Body [QFN-S] With 0.40 mm Terminal Length

**Note:** For the most current package drawings, please see the Microchip Packaging Specification located at <http://www.microchip.com/packaging>



Microchip Technology Drawing C04-124C Sheet 1 of 2

# dsPIC33EVXXXGM00X/10X FAMILY

## 28-Lead Plastic Quad Flat, No Lead Package (MM) - 6x6x0.9mm Body [QFN-S] With 0.40 mm Terminal Length

**Note:** For the most current package drawings, please see the Microchip Packaging Specification located at <http://www.microchip.com/packaging>



| Units                   |    | MILLIMETERS |      |      |
|-------------------------|----|-------------|------|------|
| Dimension Limits        |    | MIN         | NOM  | MAX  |
| Number of Pins          | N  | 28          |      |      |
| Pitch                   | e  | 0.65 BSC    |      |      |
| Overall Height          | A  | 0.80        | 0.90 | 1.00 |
| Standoff                | A1 | 0.00        | 0.02 | 0.05 |
| Terminal Thickness      | A3 | 0.20 REF    |      |      |
| Overall Width           | E  | 6.00 BSC    |      |      |
| Exposed Pad Width       | E2 | 3.65        | 3.70 | 4.70 |
| Overall Length          | D  | 6.00 BSC    |      |      |
| Exposed Pad Length      | D2 | 3.65        | 3.70 | 4.70 |
| Terminal Width          | b  | 0.23        | 0.30 | 0.35 |
| Terminal Length         | L  | 0.30        | 0.40 | 0.50 |
| Terminal-to-Exposed Pad | K  | 0.20        | -    | -    |

**Notes:**

1. Pin 1 visual index feature may vary, but must be located within the hatched area.
2. Package is saw singulated
3. Dimensioning and tolerancing per ASME Y14.5M

BSC: Basic Dimension. Theoretically exact value shown without tolerances.

REF: Reference Dimension, usually without tolerance, for information purposes only.

Microchip Technology Drawing C04-124C Sheet 2 of 2

# dsPIC33EVXXGM00X/10X FAMILY

## 28-Lead Plastic Quad Flat, No Lead Package (MM) – 6x6x0.9 mm Body [QFN-S] with 0.40 mm Contact Length

**Note:** For the most current package drawings, please see the Microchip Packaging Specification located at <http://www.microchip.com/packaging>



| Dimension Limits           | Units | MILLIMETERS |      |      |
|----------------------------|-------|-------------|------|------|
|                            |       | MIN         | NOM  | MAX  |
| Contact Pitch              | E     | 0.65 BSC    |      |      |
| Optional Center Pad Width  | W2    |             |      | 4.70 |
| Optional Center Pad Length | T2    |             |      | 4.70 |
| Contact Pad Spacing        | C1    |             | 6.00 |      |
| Contact Pad Spacing        | C2    |             | 6.00 |      |
| Contact Pad Width (X28)    | X1    |             |      | 0.40 |
| Contact Pad Length (X28)   | Y1    |             |      | 0.85 |
| Distance Between Pads      | G     | 0.25        |      |      |

**Notes:**

1. Dimensioning and tolerancing per ASME Y14.5M

BSC: Basic Dimension. Theoretically exact value shown without tolerances.

Microchip Technology Drawing No. C04-2124A

# dsPIC33EVXXXGM00X/10X FAMILY

## 44-Lead Plastic Thin Quad Flatpack (PT) - 10x10x1.0 mm Body [TQFP]

**Note:** For the most current package drawings, please see the Microchip Packaging Specification located at <http://www.microchip.com/packaging>



Microchip Technology Drawing C04-076C Sheet 1 of 2



# dsPIC33EVXXGM00X/10X FAMILY

## 44-Lead Plastic Thin Quad Flatpack (PT) - 10x10x1.0 mm Body [TQFP]

**Note:** For the most current package drawings, please see the Microchip Packaging Specification located at <http://www.microchip.com/packaging>



| Dimension Limits         | Units    | MILLIMETERS |      |      |
|--------------------------|----------|-------------|------|------|
|                          |          | MIN         | NOM  | MAX  |
| Number of Leads          | N        | 44          |      |      |
| Lead Pitch               | e        | 0.80 BSC    |      |      |
| Overall Height           | A        | -           | -    | 1.20 |
| Standoff                 | A1       | 0.05        | -    | 0.15 |
| Molded Package Thickness | A2       | 0.95        | 1.00 | 1.05 |
| Overall Width            | E        | 12.00 BSC   |      |      |
| Molded Package Width     | E1       | 10.00 BSC   |      |      |
| Overall Length           | D        | 12.00 BSC   |      |      |
| Molded Package Length    | D1       | 10.00 BSC   |      |      |
| Lead Width               | b        | 0.30        | 0.37 | 0.45 |
| Lead Thickness           | c        | 0.09        | -    | 0.20 |
| Lead Length              | L        | 0.45        | 0.60 | 0.75 |
| Footprint                | L1       | 1.00 REF    |      |      |
| Foot Angle               | $\theta$ | 0°          | 3.5° | 7°   |

**Notes:**

1. Pin 1 visual index feature may vary, but must be located within the hatched area.
2. Exact shape of each corner is optional.
3. Dimensioning and tolerancing per ASME Y14.5M

BSC: Basic Dimension. Theoretically exact value shown without tolerances.

REF: Reference Dimension, usually without tolerance, for information purposes only.

Microchip Technology Drawing C04-076C Sheet 2 of 2

# dsPIC33EVXXGM00X/10X FAMILY

44-Lead Plastic Thin Quad Flatpack (PT) 10X10X1 mm Body, 2.00 mm Footprint [TQFP]

**Note:** For the most current package drawings, please see the Microchip Packaging Specification located at <http://www.microchip.com/packaging>



RECOMMENDED LAND PATTERN

| Dimension Limits         | Units | MILLIMETERS |       |      |
|--------------------------|-------|-------------|-------|------|
|                          |       | MIN         | NOM   | MAX  |
| Contact Pitch            | E     | 0.80 BSC    |       |      |
| Contact Pad Spacing      | C1    |             | 11.40 |      |
| Contact Pad Spacing      | C2    |             | 11.40 |      |
| Contact Pad Width (X44)  | X1    |             |       | 0.55 |
| Contact Pad Length (X44) | Y1    |             |       | 1.50 |
| Distance Between Pads    | G     | 0.25        |       |      |

**Notes:**

1. Dimensioning and tolerancing per ASME Y14.5M

BSC: Basic Dimension. Theoretically exact value shown without tolerances.

Microchip Technology Drawing No. C04-2076B

# dsPIC33EVXXGM00X/10X FAMILY

## 44-Lead Plastic Quad Flat, No Lead Package (ML) - 8x8 mm Body [QFN or VQFN]

**Note:** For the most current package drawings, please see the Microchip Packaging Specification located at <http://www.microchip.com/packaging>



Microchip Technology Drawing C04-103D Sheet 1 of 2

# dsPIC33EVXXXGM00X/10X FAMILY

## 44-Lead Plastic Quad Flat, No Lead Package (ML) - 8x8 mm Body [QFN or VQFN]

**Note:** For the most current package drawings, please see the Microchip Packaging Specification located at <http://www.microchip.com/packaging>



| Dimension Limits        | Units | MILLIMETERS |      |      |
|-------------------------|-------|-------------|------|------|
|                         |       | MIN         | NOM  | MAX  |
| Number of Pins          | N     | 44          |      |      |
| Pitch                   | e     | 0.65 BSC    |      |      |
| Overall Height          | A     | 0.80        | 0.90 | 1.00 |
| Standoff                | A1    | 0.00        | 0.02 | 0.05 |
| Terminal Thickness      | A3    | 0.20 REF    |      |      |
| Overall Width           | E     | 8.00 BSC    |      |      |
| Exposed Pad Width       | E2    | 6.25        | 6.45 | 6.60 |
| Overall Length          | D     | 8.00 BSC    |      |      |
| Exposed Pad Length      | D2    | 6.25        | 6.45 | 6.60 |
| Terminal Width          | b     | 0.20        | 0.30 | 0.35 |
| Terminal Length         | L     | 0.30        | 0.40 | 0.50 |
| Terminal-to-Exposed-Pad | K     | 0.20        | -    | -    |

**Notes:**

1. Pin 1 visual index feature may vary, but must be located within the hatched area.
2. Package is saw singulated
3. Dimensioning and tolerancing per ASME Y14.5M

BSC: Basic Dimension. Theoretically exact value shown without tolerances.

REF: Reference Dimension, usually without tolerance, for information purposes only.

Microchip Technology Drawing C04-103D Sheet 2 of 2

# dsPIC33EVXXGM00X/10X FAMILY

## 44-Lead Plastic Quad Flat, No Lead Package (ML) - 8x8 mm Body [QFN or VQFN]

**Note:** For the most current package drawings, please see the Microchip Packaging Specification located at <http://www.microchip.com/packaging>



### RECOMMENDED LAND PATTERN

| Dimension Limits                 | Units | MILLIMETERS |      |      |
|----------------------------------|-------|-------------|------|------|
|                                  |       | MIN         | NOM  | MAX  |
| Contact Pitch                    | E     | 0.65 BSC    |      |      |
| Optional Center Pad Width        | X2    |             |      | 6.60 |
| Optional Center Pad Length       | Y2    |             |      | 6.60 |
| Contact Pad Spacing              | C1    |             | 8.00 |      |
| Contact Pad Spacing              | C2    |             | 8.00 |      |
| Contact Pad Width (X44)          | X1    |             |      | 0.35 |
| Contact Pad Length (X44)         | Y1    |             |      | 0.85 |
| Contact Pad to Contact Pad (X40) | G1    | 0.30        |      |      |
| Contact Pad to Center Pad (X44)  | G2    | 0.28        |      |      |
| Thermal Via Diameter             | V     |             | 0.33 |      |
| Thermal Via Pitch                | EV    |             | 1.20 |      |

**Notes:**

- Dimensioning and tolerancing per ASME Y14.5M  
BSC: Basic Dimension. Theoretically exact value shown without tolerances.
- For best soldering results, thermal vias, if used, should be filled or tented to avoid solder loss during reflow process

Microchip Technology Drawing No. C04-2103C

# dsPIC33EVXXGM00X/10X FAMILY

## 64-Lead Plastic Thin Quad Flatpack (PT)-10x10x1 mm Body, 2.00 mm Footprint [TQFP]

**Note:** For the most current package drawings, please see the Microchip Packaging Specification located at <http://www.microchip.com/packaging>



Microchip Technology Drawing C04-085C Sheet 1 of 2

# dsPIC33EVXXGM00X/10X FAMILY

## 64-Lead Plastic Thin Quad Flatpack (PT)-10x10x1 mm Body, 2.00 mm Footprint [TQFP]

**Note:** For the most current package drawings, please see the Microchip Packaging Specification located at <http://www.microchip.com/packaging>



| Dimension Limits         | Units    | MILLIMETERS |      |      |
|--------------------------|----------|-------------|------|------|
|                          |          | MIN         | NOM  | MAX  |
| Number of Leads          | N        | 64          |      |      |
| Lead Pitch               | e        | 0.50 BSC    |      |      |
| Overall Height           | A        | -           | -    | 1.20 |
| Molded Package Thickness | A2       | 0.95        | 1.00 | 1.05 |
| Standoff                 | A1       | 0.05        | -    | 0.15 |
| Foot Length              | L        | 0.45        | 0.60 | 0.75 |
| Footprint                | L1       | 1.00 REF    |      |      |
| Foot Angle               | $\phi$   | 0°          | 3.5° | 7°   |
| Overall Width            | E        | 12.00 BSC   |      |      |
| Overall Length           | D        | 12.00 BSC   |      |      |
| Molded Package Width     | E1       | 10.00 BSC   |      |      |
| Molded Package Length    | D1       | 10.00 BSC   |      |      |
| Lead Thickness           | c        | 0.09        | -    | 0.20 |
| Lead Width               | b        | 0.17        | 0.22 | 0.27 |
| Mold Draft Angle Top     | $\alpha$ | 11°         | 12°  | 13°  |
| Mold Draft Angle Bottom  | $\beta$  | 11°         | 12°  | 13°  |

**Notes:**

1. Pin 1 visual index feature may vary, but must be located within the hatched area.
2. Chamfers at corners are optional; size may vary.
3. Dimensions D1 and E1 do not include mold flash or protrusions. Mold flash or protrusions shall not exceed 0.25mm per side.
4. Dimensioning and tolerancing per ASME Y14.5M

BSC: Basic Dimension. Theoretically exact value shown without tolerances.

REF: Reference Dimension, usually without tolerance, for information purposes only.

Microchip Technology Drawing C04-085C Sheet 2 of 2

# dsPIC33EVXXXGM00X/10X FAMILY

## 64-Lead Plastic Thin Quad Flatpack (PT)-10x10x1 mm Body, 2.00 mm Footprint [TQFP]

**Note:** For the most current package drawings, please see the Microchip Packaging Specification located at <http://www.microchip.com/packaging>



RECOMMENDED LAND PATTERN

| Dimension Limits         | Units | MILLIMETERS |       |      |
|--------------------------|-------|-------------|-------|------|
|                          |       | MIN         | NOM   | MAX  |
| Contact Pitch            | E     | 0.50 BSC    |       |      |
| Contact Pad Spacing      | C1    |             | 11.40 |      |
| Contact Pad Spacing      | C2    |             | 11.40 |      |
| Contact Pad Width (X28)  | X1    |             |       | 0.30 |
| Contact Pad Length (X28) | Y1    |             |       | 1.50 |
| Distance Between Pads    | G     | 0.20        |       |      |

Notes:

1. Dimensioning and tolerancing per ASME Y14.5M

BSC: Basic Dimension. Theoretically exact value shown without tolerances.

Microchip Technology Drawing C04-2085B Sheet 1 of 1



# dsPIC33EVXXGM00X/10X FAMILY

## 64-Lead Very Thin Plastic Quad Flat, No Lead Package (MR) – 9x9x0.9 mm Body [VQFN] With 7.15 x 7.15 Exposed Pad [Also called QFN]

**Note:** For the most current package drawings, please see the Microchip Packaging Specification located at <http://www.microchip.com/packaging>



Microchip Technology Drawing C04-149D [MR] Sheet 1 of 2

# dsPIC33EVXXXGM00X/10X FAMILY

## 64-Lead Very Thin Plastic Quad Flat, No Lead Package (MR) – 9x9x0.9 mm Body [VQFN] With 7.15 x 7.15 Exposed Pad [Also called QFN]

**Note:** For the most current package drawings, please see the Microchip Packaging Specification located at <http://www.microchip.com/packaging>



| Dimension Limits       | Units | MILLIMETERS |      |      |
|------------------------|-------|-------------|------|------|
|                        |       | MIN         | NOM  | MAX  |
| Number of Pins         | N     | 64          |      |      |
| Pitch                  | e     | 0.50 BSC    |      |      |
| Overall Height         | A     | 0.80        | 0.90 | 1.00 |
| Standoff               | A1    | 0.00        | 0.02 | 0.05 |
| Contact Thickness      | A3    | 0.20 REF    |      |      |
| Overall Width          | E     | 9.00 BSC    |      |      |
| Exposed Pad Width      | E2    | 7.05        | 7.15 | 7.25 |
| Overall Length         | D     | 9.00 BSC    |      |      |
| Exposed Pad Length     | D2    | 7.05        | 7.15 | 7.25 |
| Contact Width          | b     | 0.18        | 0.25 | 0.30 |
| Contact Length         | L     | 0.30        | 0.40 | 0.50 |
| Contact-to-Exposed Pad | K     | 0.20        | -    | -    |

**Notes:**

1. Pin 1 visual index feature may vary, but must be located within the hatched area.
2. Package is saw singulated
3. Dimensioning and tolerancing per ASME Y14.5M

BSC: Basic Dimension. Theoretically exact value shown without tolerances.

REF: Reference Dimension, usually without tolerance, for information purposes only.

Microchip Technology Drawing C04-149D [MR] Sheet 2 of 2

# dsPIC33EVXXGM00X/10X FAMILY

## 64-Lead Very Thin Plastic Quad Flat, No Lead Package (MR) – 9x9x0.9 mm Body [VQFN] With 7.15 x 7.15 Exposed Pad [Also called QFN]

**Note:** For the most current package drawings, please see the Microchip Packaging Specification located at <http://www.microchip.com/packaging>



RECOMMENDED LAND PATTERN

| Dimension Limits                   | Units | MILLIMETERS |      |      |
|------------------------------------|-------|-------------|------|------|
|                                    |       | MIN         | NOM  | MAX  |
| Contact Pitch                      | E     | 0.50 BSC    |      |      |
| Optional Center Pad Width          | X2    |             |      | 7.25 |
| Optional Center Pad Length         | Y2    |             |      | 7.25 |
| Contact Pad Spacing                | C1    |             | 9.00 |      |
| Contact Pad Spacing                | C2    |             | 9.00 |      |
| Contact Pad Width (X64)            | X1    |             |      | 0.30 |
| Contact Pad Length (X64)           | Y1    |             |      | 0.95 |
| Contact Pad to Center Pad (X64)    | G1    | 0.40        |      |      |
| Spacing Between Contact Pads (X60) | G2    | 0.20        |      |      |
| Thermal Via Diameter               | V     |             | 0.33 |      |
| Thermal Via Pitch                  | EV    |             | 1.20 |      |

**Notes:**

- Dimensioning and tolerancing per ASME Y14.5M  
BSC: Basic Dimension. Theoretically exact value shown without tolerances.
- For best soldering results, thermal vias, if used, should be filled or tented to avoid solder loss during reflow process

Microchip Technology Drawing C04-2149C [MR]

# dsPIC33EVXXGM00X/10X FAMILY

---

---

NOTES:

## APPENDIX A: REVISION HISTORY

### Revision A (December 2013)

This is the initial version of this document.

### Revision B (June 2014)

This revision incorporates the following updates:

- Sections:
  - Added [Section 31.0 “High-Temperature Electrical Characteristics”](#)
  - Updated the “[Power Management](#)” section, the “[Input/Output](#)” section, [Section 3.3 “Data Space Addressing”](#), [Section 4.2 “Data Address Space”](#), [Section 4.3.2 “Extended X Data Space”](#), [Section 4.6.1 “Bit-Reversed Addressing Implementation”](#), [Section 7.4.1 “INTCON1 through INTCON4”](#), [Section 11.7 “I/O Helpful Tips”](#)
  - Updated note in [Section 17.0 “High-Speed PWM Module”](#), [Section 18.0 “Serial Peripheral Interface \(SPI\)”](#), [Section 27.8 “Code Protection and CodeGuard™ Security”](#)
  - Updated title of [Section 20.0 “Single-Edge Nibble Transmission \(SENT\)”](#)
  - Updated [Section 34.0 “Packaging Information”](#). Deleted e3, Pb-free and Industrial (I) temperature range indication throughout the section, and updated the packaging diagrams
  - Updated the “[Product Identification System](#)” section
- Registers:
  - Updated [Register 3-2](#), [Register 7-2](#), [Register 7-6](#), [Register 9-2](#), [Register 11-3](#), [Register 14-1](#), [Register 14-3](#), [Register 14-11](#), [Register 15-1](#), [Register 22-4](#)
- Figures:
  - Added [Figure 4-6](#), [Figure 4-8](#), [Figure 4-14](#), [Figure 4-15](#), [Figure 14-1](#), [Figure 16-1](#), [Figure 17-2](#), [Figure 23-1](#), [Figure 24-1](#)
- Tables:
  - Updated [Table 1](#), [Table 27-1](#), [Table 27-2](#), [Table 30-6](#), [Table 30-7](#), [Table 30-8](#), [Table 30-9](#), [Table 30-10](#), [Table 30-11](#), [Table 30-12](#), [Table 30-38](#), [Table 30-50](#), [Table 30-53](#) and added [Table 31-11](#),
- Changes to text and formatting were incorporated throughout the document

### Revision C (November 2014)

This revision incorporates the following updates:

- Sections:
  - Added note in [Section 5.2 “RTSP Operation”](#)
  - Updated “[Section 5.4 “Error Correcting Code \(ECC\)”](#)”
  - Deleted 44-Terminal Very Thin Leadless Array Package (TL) - 6x6x0.9 mm Body With Exposed Pad (VTLA).
- Registers
  - Updated [Register 7-6](#)
- Figures:
  - Updated [Figure 4-1](#), [Figure 4-3](#), [Figure 4-4](#)
- Tables:
  - Updated [Table 27-2](#), [Table 31-13](#), [Table 31-14](#), [Table 31-15](#)
  - Added [Table 31-16](#), [Table 31-17](#)

### Revision D (April 2015)

This revision incorporates the following updates:

- Sections:
  - Updated the Clock Management, Timers/ Output Compare/Input Capture, Communication Interfaces and Input/Output sections at the beginning of the data sheet ([Page 1](#) and [Page 2](#)).
  - Updated all pin diagrams at the beginning of the data sheet ([Page 4](#) through [Page 9](#)).
  - Added [Section 11.6 “High-Voltage Detect \(HVD\)”](#)
  - Updated [Section 13.0 “Timer2/3 and Timer4/5”](#)
  - Corrects all Buffer heading numbers in [Section 22.4 “CAN Message Buffers”](#)
- Registers
  - Updated [Register 3-2](#), [Register 25-2](#), [Register 26-2](#)
- Figures
  - Updated [Figure 26-1](#), [Figure 30-5](#), [Figure 30-32](#)
- Tables
  - Updated [Table 1](#), [Table 4-25](#), [Table 30-10](#), [Table 30-22](#), [Table 30-53](#) and [Table 31-8](#)
- Changes to text and formatting were incorporated throughout the document

# dsPIC33EVXXGM00X/10X FAMILY

---

## Revision E (September 2016)

This revision incorporates the following updates:

- Sections:
  - Added new [Section 32.0 “Characteristics for Industrial/Extended Temperature Devices \(-40°C to +125°C\)”](#) and [Section 33.0 “Characteristics for High-Temperature Devices \(+150°C\)”](#).
  - Updated the [Qualification and Class B Support](#) section.
  - Updated [Section 27.6 “In-Circuit Serial Programming”](#).
  - Updated [Section 34.0 “Packaging Information”](#) with the addition of the 28-Lead SSOP package information and new packaging diagram revisions.
  - Updated the [“Product Identification System”](#) section with the addition of the 28-Lead SSOP package.
- Figures:
  - Updated [Figure 4-6](#).
- Registers:
  - Updated [Register 25-2](#), [Register 25-3](#), [Register 27-1](#) and [Register 27-2](#).
- Tables:
  - Updated [Table 30-7](#), [Table 30-9](#), [Table 30-39](#), [Table 30-40](#), [Table 30-41](#), [Table 30-42](#), [Table 30-43](#), [Table 30-44](#) and [Table 30-45](#).

## INDEX

### A

|  |          |
|--|----------|
| Absolute Maximum Ratings .....                   | 341      |
| AC Characteristics .....                         | 351      |
| 10-Bit ADC Conversion Requirements .....         | 401      |
| 12-Bit ADC Conversion Requirements .....         | 399      |
| 12Cx Bus Data Requirements (Master Mode) .....   | 388      |
| ADC Module .....                                 | 395      |
| ADC Module (10-Bit Mode) .....                   | 397      |
| ADC Module (12-Bit Mode) .....                   | 396      |
| CANx I/O Requirements .....                      | 391      |
| Capacitive Loading Requirements on               |          |
| Output Pins .....                                | 351      |
| DMA Module Requirements .....                    | 401      |
| External Clock Requirements .....                | 352      |
| High Temperature .....                           | 408      |
| ADC Module (10-Bit Mode) .....                   | 412      |
| ADC Module (12-Bit Mode) .....                   | 411      |
| Internal FRC Accuracy .....                      | 409      |
| Internal LPRC Accuracy .....                     | 409      |
| PLL Clock .....                                  | 409      |
| High-Speed PWMx Requirements .....               | 361      |
| I/O Requirements .....                           | 354      |
| I2Cx Bus Data Requirements (Slave Mode) .....    | 390      |
| Input Capture x (ICx) Requirements .....         | 359      |
| Internal FRC Accuracy .....                      | 353      |
| Internal LPRC Accuracy .....                     | 353      |
| Load Conditions .....                            | 351, 408 |
| OCx/PWMx Mode Requirements .....                 | 360      |
| Op Amp/Comparator x Voltage Reference            |          |
| Settling Time .....                              | 393      |
| Output Compare x (OCx) Requirements .....        | 360      |
| PLL Clock .....                                  | 353      |
| Reset, Watchdog Timer, Oscillator Start-up Timer |          |
| and Power-up Timer Requirements .....            | 356      |
| SPI1 Master Mode (Full-Duplex, CKE = 0,          |          |
| CKP = x, SMP = 1) Requirements .....             | 378      |
| SPI1 Master Mode (Full-Duplex, CKE = 1,          |          |
| CKP = x, SMP = 1) .....                          | 376      |
| SPI1 Master Mode (Half-Duplex,                   |          |
| Transmit Only) Requirements .....                | 375      |
| SPI1 Slave Mode (Full-Duplex, CKE = 0,           |          |
| CKP = 0, SMP = 0) Requirements .....             | 386      |
| SPI1 Slave Mode (Full-Duplex, CKE = 0,           |          |
| CKP = 1, SMP = 0) Requirements .....             | 384      |
| SPI1 Slave Mode (Full-Duplex, CKE = 1,           |          |
| CKP = 0, SMP = 0) Requirements .....             | 380      |
| SPI1 Slave Mode (Full-Duplex, CKE = 1,           |          |
| CKP = 1, SMP = 0) Requirements .....             | 382      |
| SPI2 Master Mode (Full-Duplex, CKE = 0,          |          |
| CKP = x, SMP = 1) Requirements .....             | 365      |
| SPI2 Master Mode (Full-Duplex, CKE = 1,          |          |
| CKP = x, SMP = 1) Requirements .....             | 364      |
| SPI2 Master Mode (Half-Duplex,                   |          |
| Transmit Only) Requirements .....                | 363      |
| SPI2 Slave Mode (Full-Duplex, CKE = 0,           |          |
| CKP = 0, SMP = 0) Requirements .....             | 373      |
| SPI2 Slave Mode (Full-Duplex, CKE = 0,           |          |
| CKP = 1, SMP = 0) Requirements .....             | 371      |
| SPI2 Slave Mode (Full-Duplex, CKE = 1,           |          |
| CKP = 0, SMP = 0) Requirements .....             | 367      |
| SPI2 Slave Mode (Full-Duplex, CKE = 1,           |          |
| CKP = 1, SMP = 0) Requirements .....             | 369      |

|   |     |
|---|-----|
| Timer1 External Clock Requirements .....        | 357 |
| Timer2 and Timer4 (Type B) External Clock       |     |
| Requirements .....                              | 358 |
| Timer3 and Timer5 (Type C) External Clock       |     |
| Requirements .....                              | 358 |
| UARTx I/O Requirements .....                    | 391 |
| ADC   |     |
| 10-Bit Configuration .....                      | 285 |
| 12-Bit Configuration .....                      | 285 |
| Control Registers .....                         | 289 |
| Helpful Tips .....                              | 288 |
| Key Features .....                              | 285 |
| Alternate Interrupt Vector Table (AIVT) .....   | 95  |
| Analog-to-Digital Converter. <i>See</i> ADC.    |     |
| Assemblers                                      |     |
| MPASM Assembler .....                           | 338 |
| MPLAB Assembler, Linker, Librarian .....        | 338 |
| <b>B</b>  |     |
| Bit-Reversed Addressing                         |     |
| Example .....                                   | 78  |
| Implementation .....                            | 77  |
| Sequence Table (16-Entry) .....                 | 78  |
| Block Diagrams                                  |     |
| 16-Bit Timer1 Module .....                      | 173 |
| Accessing Program Memory with                   |     |
| Table Instructions .....                        | 81  |
| ADCx Conversion Clock Period .....              | 287 |
| ADCx with Connection Options for ANx Pins       |     |
| and Op Amps .....                               | 286 |
| Addressing for Table Registers .....            | 83  |
| Arbiter Architecture .....                      | 73  |
| CALL Stack Frame .....                          | 74  |
| CANx Module .....                               | 254 |
| Comparator Voltage Reference Module .....       | 314 |
| Connections for On-Chip Voltage Regulator ..... | 324 |
| CPU Core .....                                  | 22  |
| CTMU Module .....                               | 280 |
| Data Access from Program Space Address          |     |
| Generation .....                                | 80  |
| Deadman Timer Module .....                      | 181 |
| Digital Filter Interconnect .....               | 302 |
| DMA Controller .....                            | 111 |
| dsPIC33EVXXGM00X/10X Family .....               | 13  |
| EDS Read Address Generation .....               | 68  |
| EDS Write Address Generation .....              | 69  |
| High-Speed PWMx Architectural Overview .....    | 201 |
| High-Speed PWMx Register Interconnection .....  | 202 |
| I2Cx Module .....                               | 230 |
| Input Capture x Module .....                    | 189 |
| MCLR Pin Connections .....                      | 18  |
| Multiplexing Remappable Output for RPN .....    | 149 |
| Op Amp/Comparator x Module .....                | 301 |
| Oscillator Circuit Placement .....              | 19  |
| Oscillator System .....                         | 123 |
| Output Compare x Module .....                   | 193 |
| Paged Data Memory Space .....                   | 70  |
| Peripheral to DMA Controller .....              | 109 |
| PLL Module .....                                | 124 |
| Recommended Minimum Connection .....            | 18  |
| Remappable Input for U1RX .....                 | 146 |
| Reset System .....                              | 92  |

# dsPIC33EVXXGM00X/10X FAMILY

|  |     |
|--|-----|
| SENTx Module.....                            | 238 |
| Shared I/O Port Structure .....              | 143 |
| SPIx Module.....                             | 222 |
| Type B Timer (Timer2 and Timer4).....        | 176 |
| Type B/Type C Timer Pair (32-Bit Timer)..... | 177 |
| Type C Timer (Timer3 and Timer5) .....       | 176 |
| UARTx Module.....                            | 247 |
| User-Programmable Blanking Function .....    | 302 |
| Watchdog Timer (WDT).....                    | 325 |
| Brown-out Reset (BOR).....                   | 324 |

## C

|   |          |
|---|----------|
| C Compilers   |          |
| MPLAB XC .....                                      | 338      |
| CAN   |          |
| CAN Module  |          |
| Control Registers .....                             | 255      |
| Message Buffers .....                               | 275      |
| Word 0 .....  | 275      |
| Word 1 .....  | 275      |
| Word 2 .....  | 276      |
| Word 3 .....  | 276      |
| Word 4 .....  | 277      |
| Word 5 .....  | 277      |
| Word 6 .....  | 278      |
| Word 7 .....  | 278      |
| Modes of Operation .....                            | 254      |
| Overview .....                                      | 253      |
| Characteristics for High-Temperature                |          |
| Devices (+150°C).....                               | 439      |
| Characteristics for Industrial/Extended Temperature |          |
| Devices (-40°C to +125°C).....                      | 413      |
| Charge Time Measurement Unit (CTMU) .....           | 279      |
| Charge Time Measurement Unit. <i>See</i> CTMU.      |          |
| Code Examples                                       |          |
| Port Write/Read .....                               | 144      |
| PORTA Slew Selections .....                         | 145      |
| PWM1 Write-Protected Register                       |          |
| Unlock Sequence.....                                | 200      |
| PWRSAV Instruction Syntax .....                     | 133      |
| Code Protection .....                               | 317, 326 |
| CodeGuard Security.....                             | 317, 326 |
| Comparator Voltage Reference                        |          |
| Configuring.....                                    | 313      |
| Control Registers .....                             | 315      |
| Configuration Bits .....                            | 317      |
| Description .....                                   | 320      |
| Controller Area Network (CAN).....                  | 253      |
| Controller Area Network. <i>See</i> CAN.            |          |
| CPU.....  | 21       |
| Addressing Modes .....                              | 21       |
| Arithmetic Logic Unit (ALU).....                    | 30       |
| Control Registers .....                             | 25       |
| Data Space Addressing .....                         | 21       |
| DSP Engine .....                                    | 30       |
| Instruction Set.....                                | 21       |
| Programmer's Model.....                             | 23       |
| CTMU  |          |
| Control Registers .....                             | 281      |
| Customer Change Notification Service .....          | 493      |
| Customer Notification Service .....                 | 493      |
| Customer Support .....                              | 493      |

## D

|   |     |
|---|-----|
| Data Address Space .....                      | 36  |
| Alignment.....                                | 36  |
| Memory Map for 256-Kbyte Devices .....        | 39  |
| Memory Map for 32-Kbyte Devices .....         | 37  |
| Memory Map for 64/128-Kbyte Devices .....     | 38  |
| Near Data Space .....                         | 36  |
| SFR Space .....                               | 36  |
| Width .....                                   | 36  |
| Data Space                                    |     |
| Extended X.....                               | 72  |
| Memory Arbitration, Bus Master Priority ..... | 73  |
| Paged Memory Scheme .....                     | 68  |
| DC Characteristics.....                       | 342 |
| Brown-out Reset (BOR).....                    | 349 |
| CTMU Current Source .....                     | 394 |
| Doze Current (IDOZE).....                     | 347 |
| Filter Capacitor (CEFC) Specifications .....  | 343 |
| High Temperature.....                         | 404 |
| Brown-out Reset (BOR).....                    | 407 |
| CTMU Current Source.....                      | 410 |
| I/O Pin Input Specifications .....            | 406 |
| I/O Pin Output Specifications.....            | 407 |
| Idle Current (IDLE).....                      | 405 |
| Op Amp/ Comparator x.....                     | 411 |
| Operating Current (IDD) .....                 | 405 |
| Operating MIPS vs. Voltage .....              | 404 |
| Power-Down Current (IPD).....                 | 405 |
| Program Memory.....                           | 407 |
| Temperature and Voltage Specifications.....   | 404 |
| Doze Current (IDOZE).....                     | 405 |
| I/O Pin Input Specifications.....             | 348 |
| I/O Pin Output Specifications.....            | 349 |
| Idle Current (IDLE).....                      | 345 |
| Internal Band Gap Reference Voltage.....      | 350 |
| Op Amp/Comparator x Specifications.....       | 392 |
| Op Amp/Comparator x Voltage Reference         |     |
| Specifications .....                          | 393 |
| Operating Current (IDD) .....                 | 344 |
| Operating MIPS vs. Voltage .....              | 342 |
| Power-Down Current (IPD).....                 | 346 |
| Program Memory .....                          | 350 |
| Temperature and Voltage Specifications.....   | 343 |
| Thermal Operating Conditions.....             | 342 |
| Deadman Timer (DMT).....                      | 181 |
| Control Registers .....                       | 182 |
| Deadman Timer. <i>See</i> DMT.                |     |
| Development Support .....                     | 337 |
| Direct Memory Access. <i>See</i> DMA.         |     |
| DMA Controller                                |     |
| Channel to Peripheral Associations.....       | 110 |
| Control Registers .....                       | 111 |
| Supported Peripherals .....                   | 109 |
| DMAC Registers                                |     |
| DMAxCNT.....                                  | 111 |
| DMAxCON .....                                 | 111 |
| DMAxPAD.....                                  | 111 |
| DMAxREQ .....                                 | 111 |
| DMAxSTAH/L .....                              | 111 |
| DMAxSTBH/L .....                              | 111 |
| DMT   |     |
| Doze Mode .....                               | 135 |



# dsPIC33EVXXGM00X/10X FAMILY

|  |          |  |          |
|--|----------|--|----------|
| <b>E</b>   |          |  |          |
| Electrical Characteristics .....                     | 341      | Instruction Addressing Modes .....                     | 74       |
| AC .....   | 351, 408 | File Register Instructions .....                       | 74       |
| Equations  |          | Fundamental Modes Supported .....                      | 75       |
| BRG Formula .....                                    | 229      | MAC Instructions .....                                 | 75       |
| Device Operating Frequency .....                     | 124      | MCU Instructions .....                                 | 74       |
| Fosc Calculation .....                               | 124      | Move and Accumulator Instructions .....                | 75       |
| Frame Time Calculations .....                        | 239      | Other Instructions .....                               | 75       |
| FsCL Frequency .....                                 | 229      | Instruction Set  |          |
| Fvco Calculation .....                               | 124      | Overview .....   | 330      |
| SYNCMIN and SYNCMAX Calculations .....               | 240      | Summary .....  | 327      |
| Tick Period Calculation .....                        | 239      | Symbols Used in Opcode .....                           | 328      |
| Errata .....   | 11       | Interfacing Program and Data Memory Spaces .....       | 79       |
| <b>F</b>   |          | Inter-Integrated Circuit (I <sup>2</sup> C) .....      | 229      |
| Flash Program Memory .....                           | 83       | Baud Rate Generator .....                              | 229      |
| Control Registers .....                              | 85       | Control Registers .....                                | 231      |
| Error Correcting Code (ECC) .....                    | 85       | Inter-Integrated Circuit. <i>See</i> I <sup>2</sup> C. |          |
| Operations .....                                     | 84       | Internal LPRC Oscillator                               |          |
| Resources .....                                      | 85       | Use with WDT .....                                     | 325      |
| RTSP Operation .....                                 | 84       | Internet Address .....                                 | 493      |
| Table Instructions .....                             | 83       | Interrupt Controller                                   |          |
| Flexible Configuration .....                         | 317      | Control and Status Registers .....                     | 100      |
| <b>G</b>   |          | IECx .....   | 100      |
| Getting Started with 16-Bit DSCs .....               | 17       | IFSx .....   | 100      |
| Connection Requirements .....                        | 17       | INTCON1 .....  | 100      |
| CPU Logic Filter Capacitor Connection (VCAP) .....   | 18       | INTCON2 .....  | 100      |
| Decoupling Capacitors .....                          | 17       | INTCON3 .....  | 100      |
| External Oscillator Pins .....                       | 19       | INTCON4 .....  | 100      |
| ICSP Pins .....                                      | 19       | INTTREG .....  | 100      |
| Master Clear (MCLR) Pin .....                        | 18       | IPCx .....   | 100      |
| Oscillator Value Conditions on Device Start-up ..... | 19       | Reset Sequence .....                                   | 100      |
| Unused I/Os .....                                    | 19       | Interrupt Vector Table (IVT) .....                     | 95       |
| <b>H</b>   |          | Details .....  | 98       |
| High Temperature                                     |          | <b>M</b>   |          |
| Thermal Operating Conditions .....                   | 404      | Memory Maps  |          |
| High-Speed PWM .....                                 | 199      | EDS .....  | 72       |
| Control Registers .....                              | 204      | Memory Organization .....                              | 31       |
| Faults .....   | 199      | Microchip Internet Web Site .....                      | 493      |
| Resources .....                                      | 203      | Modulo Addressing .....                                | 76       |
| High-Temperature Electrical Characteristics .....    | 403      | Applicability .....                                    | 77       |
| Absolute Maximum Ratings .....                       | 403      | Operation Example .....                                | 76       |
| <b>I</b>   |          | Start and End Address .....                            | 76       |
| I/O Ports .....                                      | 143      | W Address Register Selection .....                     | 76       |
| Configuring Analog/Digital Port Pins .....           | 144      | MPLAB PM3 Device Programmer .....                      | 339      |
| Helpful Tips .....                                   | 151      | MPLAB REAL ICE In-Circuit Emulator System .....        | 339      |
| High-Voltage Detect (HVD) .....                      | 151      | MPLAB X Integrated Development                         |          |
| Open-Drain Configuration .....                       | 144      | Environment Software .....                             | 337      |
| Parallel I/O (PIO) .....                             | 143      | MPLINK Object Linker/MPLIB Object Librarian .....      | 338      |
| Peripheral Pin Select (PPS) .....                    | 145      | <b>O</b>   |          |
| Slew Rate Selection .....                            | 145      | Op Amp/Comparator .....                                | 301      |
| Write/Read Timing .....                              | 144      | Control Registers .....                                | 303      |
| In-Circuit Debugger .....                            | 326      | Oscillator Configuration .....                         | 123      |
| MPLAB ICD 3 .....                                    | 339      | Bit Values for Clock Selection .....                   | 125      |
| PICkit 3 Programmer .....                            | 339      | CPU Clocking System .....                              | 124      |
| In-Circuit Emulation .....                           | 317      | Output Compare .....                                   | 193      |
| In-Circuit Serial Programming (ICSP) .....           | 317, 326 | Control Registers .....                                | 194      |
| Input Capture .....                                  | 189      | <b>P</b>   |          |
| Control Registers .....                              | 190      | Packaging .....  | 461      |
| Input Change Notification (ICN) .....                | 144      | Details .....  | 463      |
|  |          | Marking .....  | 461, 462 |
|  |          | Peripheral Module Disable (PMD) .....                  | 135      |

# dsPIC33EVXXXGM00X/10X FAMILY

|   |     |  |         |
|---|-----|--|---------|
| Peripheral Pin Select (PPS)                   |     | PPS Output for dsPIC33EVXXXGM002/102           |         |
| Control Registers .....                       | 153 | Devices .....                                  | 50      |
| Input Sources, Maps Input to Function .....   | 147 | PPS Output for dsPIC33EVXXXGM004/104           |         |
| Output Selection for Remappable Pins .....    | 150 | Devices .....                                  | 50      |
| Pinout I/O Descriptions (table) .....         | 14  | PPS Output for dsPIC33EVXXXGM006/106           |         |
| Power-Saving Features .....                   | 133 | Devices .....                                  | 51      |
| Clock Frequency and Switching .....           | 133 | PWM .....                                      | 60      |
| Instruction-Based Modes .....                 | 133 | PWM Generator 1 .....                          | 60      |
| Idle .....                                    | 134 | PWM Generator 2 .....                          | 61      |
| Sleep .....                                   | 134 | PWM Generator 3 .....                          | 61      |
| Interrupts Coincident with Power Save         |     | Reference Clock .....                          | 53      |
| Instructions .....                            | 134 | SENT1 Receiver .....                           | 49      |
| Program Address Space .....                   | 31  | SENT2 Receiver .....                           | 49      |
| Construction .....                            | 79  | SPI1 and SPI2 .....                            | 45      |
| Data Access from Program Memory Using         |     | System Control .....                           | 53      |
| Table Instructions .....                      | 81  | Timers .....                                   | 43      |
| Memory Map for dsPIC33EV128GM00X/10X          |     | UART1 and UART2 .....                          | 45      |
| Devices .....                                 | 33  | Registers                                      |         |
| Memory Map for dsPIC33EV256GM00X/10X          |     | ADxCHS0 (ADCx Input Channel 0 Select) .....    | 296     |
| Devices .....                                 | 34  | ADxCHS123 (ADCx Input                          |         |
| Memory Map for dsPIC33EV32GM00X/10X           |     | Channels 1, 2, 3 Select) .....                 | 295     |
| Devices .....                                 | 31  | ADxCON1 (ADCx Control 1) .....                 | 289     |
| Memory Map for dsPIC33EV64GM00X/10X           |     | ADxCON2 (ADCx Control 2) .....                 | 291     |
| Devices .....                                 | 32  | ADxCON3 (ADCx Control 3) .....                 | 293     |
| Table Read Instructions                       |     | ADxCON4 (ADCx Control 4) .....                 | 294     |
| TBLRDH .....                                  | 81  | ADxCSSH (ADCx Input Scan Select High) .....    | 298     |
| TBLRDL .....                                  | 81  | ADxCSSL (ADCx Input Scan Select Low) .....     | 300     |
| Program Memory                                |     | ALTDTRx (PWMx Alternate Dead-Time) .....       | 211     |
| Interrupt/Trap Vectors .....                  | 35  | AUXCONx (PWMx Auxiliary Control) .....         | 219     |
| Organization .....                            | 35  | CHOP (PWMx Chop Clock Generator) .....         | 207     |
| Reset Vector .....                            | 35  | CLKDIV (Clock Divisor) .....                   | 128     |
| Programmer's Model                            |     | CM4CON (Comparator 4 Control) .....            | 306     |
| Register Descriptions .....                   | 23  | CMSTAT (Op Amp/Comparator Status) .....        | 303     |
| <b>R</b>                                      |     | CMxCON (Comparator x Control,                  |         |
| Referenced Sources .....                      | 12  | x = 1, 2, 3 or 5) .....                        | 304     |
| Register Maps                                 |     | CMxFLTR (Comparator x Filter Control) .....    | 312     |
| ADC1 .....                                    | 46  | CMxMSKCON (Comparator x Mask                   |         |
| CAN1 (WIN (C1CTRL) = 0 or 1) .....            | 47  | Gating Control) .....                          | 310     |
| CAN1 (WIN (C1CTRL) = 0) .....                 | 47  | CMxMSKSRC (Comparator x Mask Source            |         |
| CAN1 (WIN (C1CTRL) = 1) .....                 | 48  | Select Control) .....                          | 308     |
| Configuration Words .....                     | 318 | CORCON (Core Control) .....                    | 27, 102 |
| CPU Core .....                                | 41  | CTMUCON1 (CTMU Control 1) .....                | 281     |
| CTMU .....                                    | 46  | CTMUCON2 (CTMU Control 2) .....                | 282     |
| DMAC .....                                    | 59  | CTMUICON (CTMU Current Control) .....          | 284     |
| DMT .....                                     | 52  | CTXTSTAT (CPU W Register Context Status) ..... | 29      |
| I2C1 .....                                    | 44  | CVR1CON (Comparator Voltage Reference          |         |
| Input Capture 1 through Input Capture 4 ..... | 44  | Control 1) .....                               | 315     |
| Interrupt Controller .....                    | 55  | CVR2CON (Comparator Voltage Reference          |         |
| NVM .....                                     | 53  | Control 2) .....                               | 316     |
| Op Amp/Comparator .....                       | 58  | CxBUFNT1 (CANx Filters 0-3                     |         |
| Output Compare .....                          | 57  | Buffer Pointer 1) .....                        | 264     |
| Peripheral Input Remap .....                  | 52  | CxBUFNT2 (CANx Filters 4-7                     |         |
| PMD .....                                     | 54  | Buffer Pointer 2) .....                        | 265     |
| PORTA for dsPIC33EVXXXGMX02 Devices .....     | 63  | CxBUFNT3 (CANx Filters 8-11                    |         |
| PORTA for dsPIC33EVXXXGMX04 Devices .....     | 62  | Buffer Pointer 3) .....                        | 266     |
| PORTA for dsPIC33EVXXXGMX06 Devices .....     | 62  | CxBUFNT4 (CANx Filters 12-15                   |         |
| PORTB for dsPIC33EVXXXGMX02 Devices .....     | 64  | Buffer Pointer 4) .....                        | 267     |
| PORTB for dsPIC33EVXXXGMX04 Devices .....     | 64  | CxCFG1 (CANx Baud Rate Configuration 1) .....  | 262     |
| PORTB for dsPIC33EVXXXGMX06 Devices .....     | 63  | CxCFG2 (CANx Baud Rate Configuration 2) .....  | 263     |
| PORTC for dsPIC33EVXXXGMX04 Devices .....     | 65  | CxCTRL1 (CANx Control 1) .....                 | 255     |
| PORTC for dsPIC33EVXXXGMX06 Devices .....     | 65  | CxCTRL2 (CANx Control 2) .....                 | 256     |
| PORTD for dsPIC33EVXXXGMX06 Devices .....     | 66  | CxEC (CANx Transmit/Receive Error Count) ..... | 262     |
| PORTE for dsPIC33EVXXXGMX06 Devices .....     | 66  | CxCTRL (CANx FIFO Control) .....               | 258     |
| PORTF for dsPIC33EVXXXGMX06 Devices .....     | 67  | CxFEN1 (CANx Acceptance Filter Enable 1) ..... | 264     |
| PORTG for dsPIC33EVXXXGMX06 Devices .....     | 67  | CxFIFO (CANx FIFO Status) .....                | 259     |

# dsPIC33EVXXGM00X/10X FAMILY

|  |     |  |     |
|--|-----|--|-----|
| CxFMSKSEL1 (CANx Filters 7-0 Mask Selection 1).....                | 269 | I2CxMSK (I2Cx Slave Mode Address Mask).....            | 235 |
| CxFMSKSEL2 (CANx Filters 15-8 Mask Selection 2).....               | 270 | I2CxSTAT (I2Cx Status).....                            | 234 |
| CxINTE (CANx Interrupt Enable).....                                | 261 | ICxCON1 (Input Capture x Control 1).....               | 190 |
| CxINTF (CANx Interrupt Flag).....                                  | 260 | ICxCON2 (Input Capture x Control 2).....               | 191 |
| CxRXFnEID (CANx Acceptance Filter n Extended Identifier).....      | 268 | INTCON1 (Interrupt Control 1).....                     | 103 |
| CxRXFnSID (CANx Acceptance Filter n Standard Identifier).....      | 268 | INTCON2 (Interrupt Control 2).....                     | 105 |
| CxRXFUL1 (CANx Receive Buffer Full 1).....                         | 272 | INTCON3 (Interrupt Control 3).....                     | 106 |
| CxRXFUL2 (CANx Receive Buffer Full 2).....                         | 272 | INTCON4 (Interrupt Control 4).....                     | 107 |
| CxRXMnEID (CANx Acceptance Filter Mask n Extended Identifier)..... | 271 | INTREG (Interrupt Control and Status).....             | 108 |
| CxRXMnSID (CANx Acceptance Filter Mask n Standard Identifier)..... | 271 | IOCONx (PWMx I/O Control).....                         | 213 |
| CxRXOVF1 (CANx Receive Buffer Overflow 1).....                     | 273 | LEBCONx (PWMx Leading-Edge Blanking Control).....      | 217 |
| CxRXOVF2 (CANx Receive Buffer Overflow 2).....                     | 273 | LEBDLYx (PWMx Leading-Edge Blanking Delay).....        | 218 |
| CxTRmnCON (CANx TX/RX Buffer mn Control).....                      | 274 | MDC (PWMx Master Duty Cycle).....                      | 207 |
| CxVEC (CANx Interrupt Code).....                                   | 257 | NVMADR (NVM Lower Address).....                        | 88  |
| DEVID (Device ID).....   | 323 | NVMADRU (NVM Upper Address).....                       | 88  |
| DEVREV (Device Revision).....                                      | 323 | NVMCON (NVM Control).....                              | 86  |
| DMALCA (DMA Last Channel Active Status).....                       | 120 | NVMKEY (NVM Key).....                                  | 89  |
| DMAPPS (DMA Ping-Pong Status).....                                 | 121 | NVMSRCADRH (NVM Data Memory Upper Address).....        | 90  |
| DMA PWC (DMA Peripheral Write Collision Status).....               | 118 | NVMSRCADRL (NVM Data Memory Lower Address).....        | 90  |
| DMARQC (DMA Request Collision Status).....                         | 119 | OCxCON1 (Output Compare x Control 1).....              | 194 |
| DMAxCNT (DMA Channel x Transfer Count).....                        | 116 | OCxCON2 (Output Compare x Control 2).....              | 196 |
| DMAxCON (DMA Channel x Control).....                               | 112 | OSCCON (Oscillator Control).....                       | 126 |
| DMAxPAD (DMA Channel x Peripheral Address).....                    | 116 | OSCTUN (FRC Oscillator Tuning).....                    | 131 |
| DMAxREQ (DMA Channel x IRQ Select).....                            | 113 | PDCx (PWMx Generator Duty Cycle).....                  | 210 |
| DMAxSTAH (DMA Channel x Start Address A, High).....                | 114 | PHASEx (PWMx Primary Phase-Shift).....                 | 210 |
| DMAxSTAL (DMA Channel x Start Address A, Low).....                 | 114 | PLLFBF (PLL Feedback Divisor).....                     | 130 |
| DMAxSTBH (DMA Channel x Start Address B, High).....                | 115 | PMD1 (Peripheral Module Disable Control 1).....        | 136 |
| DMAxSTBL (DMA Channel x Start Address B, Low).....                 | 115 | PMD2 (Peripheral Module Disable Control 2).....        | 137 |
| DMTCLR (Deadman Timer Clear).....                                  | 183 | PMD3 (Peripheral Module Disable Control 3).....        | 138 |
| DMTCNTH (Deadman Timer Count High).....                            | 185 | PMD4 (Peripheral Module Disable Control 4).....        | 138 |
| DMTCNTL (Deadman Timer Count Low).....                             | 185 | PMD6 (Peripheral Module Disable Control 6).....        | 139 |
| DMTCON (Deadman Timer Control).....                                | 182 | PMD7 (Peripheral Module Disable Control 7).....        | 140 |
| DMTHOLDREG (DMT Hold).....   | 188 | PMD8 (Peripheral Module Disable Control 8).....        | 141 |
| DMTPRECLR (Deadman Timer Preclear).....                            | 182 | PTCON (PWMx Time Base Control).....                    | 204 |
| DMTPSCNTH (DMT Post Configure Count Status High).....              | 186 | PTCON2 (PWMx Primary Master Clock Divider Select)..... | 205 |
| DMTPSCNTL (DMT Post Configure Count Status Low).....               | 186 | PTPER (PWMx Primary Master Time Base Period).....      | 206 |
| DMTPSINTVH (DMT Post Configure Interval Status High).....          | 187 | PWMCONx (PWMx Control).....                            | 208 |
| DMTPSINTVL (DMT Post Configure Interval Status Low).....           | 187 | RCON (Reset Control).....                              | 93  |
| DMTSTAT (Deadman Timer Status).....                                | 184 | REFOCON (Reference Oscillator Control).....            | 132 |
| DSADRH (DMA Most Recent RAM High Address).....                     | 117 | RPINR0 (Peripheral Pin Select Input 0).....            | 153 |
| DSADRL (DMA Most Recent RAM Low Address).....                      | 117 | RPINR1 (Peripheral Pin Select Input 1).....            | 153 |
| DTRx (PWMx Dead-Time).....   | 211 | RPINR11 (Peripheral Pin Select Input 11).....          | 157 |
| FCLCONx (PWMx Fault Current-Limit Control).....                    | 215 | RPINR12 (Peripheral Pin Select Input 12).....          | 158 |
| I2CxCON1 (I2Cx Control 1).....                                     | 231 | RPINR18 (Peripheral Pin Select Input 18).....          | 159 |
| I2CxCON2 (I2Cx Control 2).....                                     | 233 | RPINR19 (Peripheral Pin Select Input 19).....          | 159 |
|  |     | RPINR22 (Peripheral Pin Select Input 22).....          | 160 |
|  |     | RPINR23 (Peripheral Pin Select Input 23).....          | 161 |
|  |     | RPINR26 (Peripheral Pin Select Input 26).....          | 161 |
|  |     | RPINR3 (Peripheral Pin Select Input 3).....            | 154 |
|  |     | RPINR37 (Peripheral Pin Select Input 37).....          | 162 |
|  |     | RPINR38 (Peripheral Pin Select Input 38).....          | 162 |
|  |     | RPINR39 (Peripheral Pin Select Input 39).....          | 163 |
|  |     | RPINR44 (Peripheral Pin Select Input 44).....          | 164 |
|  |     | RPINR45 (Peripheral Pin Select Input 45).....          | 164 |
|  |     | RPINR7 (Peripheral Pin Select Input 7).....            | 155 |
|  |     | RPINR8 (Peripheral Pin Select Input 8).....            | 156 |
|  |     | RPOR0 (Peripheral Pin Select Output 0).....            | 165 |
|  |     | RPOR1 (Peripheral Pin Select Output 1).....            | 165 |
|  |     | RPOR10 (Peripheral Pin Select Output 10).....          | 170 |

# dsPIC33EVXXGM00X/10X FAMILY

|   |         |
|---|---------|
| RPOR11 (Peripheral Pin Select Output 11) .....        | 170     |
| RPOR12 (Peripheral Pin Select Output 12) .....        | 171     |
| RPOR13 (Peripheral Pin Select Output 13) .....        | 171     |
| RPOR2 (Peripheral Pin Select Output 2) .....          | 166     |
| RPOR3 (Peripheral Pin Select Output 3) .....          | 166     |
| RPOR4 (Peripheral Pin Select Output 4) .....          | 167     |
| RPOR5 (Peripheral Pin Select Output 5) .....          | 167     |
| RPOR6 (Peripheral Pin Select Output 6) .....          | 168     |
| RPOR7 (Peripheral Pin Select Output 7) .....          | 168     |
| RPOR8 (Peripheral Pin Select Output 8) .....          | 169     |
| RPOR9 (Peripheral Pin Select Output 9) .....          | 169     |
| SENTxCON1 (SENTx Control 1) .....                     | 241     |
| SENTxDATH (SENTx Receive Data High) .....             | 245     |
| SENTxDATL (SENTx Receive Data Low) .....              | 245     |
| SENTxSTAT (SENTx Status) .....                        | 243     |
| SEVTCMP (PWMx Primary Special Event<br>Compare) ..... | 206     |
| SPIxCON1 (SPIx Control 1) .....                       | 226     |
| SPIxCON2 (SPIx Control 2) .....                       | 228     |
| SPIxSTAT (SPIx Status and Control) .....              | 224     |
| SR (CPU STATUS) .....                                 | 25, 101 |
| T1CON (Timer1 Control) .....                          | 174     |
| TRGCONx (PWMx Trigger Control) .....                  | 212     |
| TRIGx (PWMx Primary Trigger Compare Value) .....      | 214     |
| TxCON (Timer2 and Timer4 Control) .....               | 178     |
| TyCON (Timer3 and Timer5 Control) .....               | 179     |
| UxMODE (UARTx Mode) .....                             | 249     |
| UxSTA (UARTx Status and Control) .....                | 251     |
| Resets .....  | 91      |
| Brown-out Reset (BOR) .....                           | 91      |
| Configuration Mismatch Reset (CM) .....               | 91      |
| Illegal Condition Reset (IOPUWR) .....                | 91      |
| Illegal Address Mode .....                            | 91      |
| Illegal Opcode .....                                  | 91      |
| Security .....  | 91      |
| Uninitialized W Register .....                        | 91      |
| Master Clear Pin Reset (MCLR) .....                   | 91      |
| Master Reset Signal (SYSRST) .....                    | 91      |
| Power-on Reset (POR) .....                            | 91      |
| RESET Instruction (SWR) .....                         | 91      |
| Trap Conflict Reset (TRAPR) .....                     | 91      |
| Watchdog Timer Time-out Reset (WDTO) .....            | 91      |
| Revision History .....                                | 485     |

## S

|  |     |
|--|-----|
| SENTx Protocol Data Frames .....                                     | 238 |
| Serial Peripheral Interface (SPI) .....                              | 221 |
| Serial Peripheral Interface. <i>See</i> SPI.                         |     |
| Single-Edge Nibble Transmission (SENT) .....                         | 237 |
| Receive Mode .....   | 240 |
| Transmit Mode .....  | 239 |
| Single-Edge Nibble Transmission for<br>Automotive Applications ..... | 237 |
| Single-Edge Nibble Transmission. <i>See</i> SENT.                    |     |
| Software Simulator   |     |
| MPLAB X SIM .....  | 339 |
| Software Stack Pointer (SSP) .....                                   | 74  |
| Special Features of the CPU .....                                    | 317 |
| SPI  |     |
| Control Registers .....  | 224 |
| Helpful Tips .....   | 223 |

## T

|   |     |
|---|-----|
| Temperature and Voltage Specifications  |     |
| AC .....  | 351 |
| High Temperature  |     |
| AC .....  | 408 |
| Thermal Packaging Characteristics .....   | 342 |
| Third-Party Development Tools .....   | 340 |
| Timer1 .....  | 173 |
| Control Register .....  | 174 |
| Timer2/3 and Timer4/5 .....   | 175 |
| Control Registers .....   | 178 |
| Timing Diagrams   |     |
| 10-Bit ADC Conversion (CHPS<1:0> = 01,<br>SIMSAM = 0, ASAM = 0, SSRC<2:0> = 000,<br>SSRCG = 0) .....                    | 400 |
| 10-Bit ADC Conversion (CHPS<1:0> = 01,<br>SIMSAM = 0, ASAM = 1, SSRC<2:0> = 111,<br>SSRCG = 0, SAMC<4:0> = 00010) ..... | 400 |
| 12-Bit ADC Conversion (ASAM = 0, SSRC<2:0> = 000,<br>SSRCG = 0) .....   | 398 |
| BOR and Master Clear Reset .....  | 354 |
| CANx I/O .....  | 391 |
| External Clock .....  | 352 |
| High-Speed PWMx Characteristics .....   | 361 |
| High-Speed PWMx Fault .....   | 361 |
| I/O Characteristics .....   | 354 |
| I2Cx Bus Data (Master Mode) .....   | 387 |
| I2Cx Bus Data (Slave Mode) .....  | 389 |
| I2Cx Bus Start/Stop Bits (Master Mode) .....  | 387 |
| I2Cx Bus Start/Stop Bits (Slave Mode) .....   | 389 |
| Input Capture x (ICx) .....   | 359 |
| OCx/PWMx Characteristics .....  | 360 |
| Output Compare x (OCx) Characteristics .....  | 360 |
| Power-on Reset Characteristics .....  | 355 |
| SPI1 Master Mode (Full-Duplex, CKE = 0,<br>CKP = x, SMP = 1) .....  | 377 |
| SPI1 Master Mode (Full-Duplex, CKE = 1,<br>CKP = x, SMP = 1) .....  | 376 |
| SPI1 Master Mode (Half-Duplex,<br>Transmit Only, CKE = 0) .....   | 374 |
| SPI1 Master Mode (Half-Duplex,<br>Transmit Only, CKE = 1) .....   | 375 |
| SPI1 Slave Mode (Full-Duplex, CKE = 0,<br>CKP = 0, SMP = 0) .....   | 385 |
| SPI1 Slave Mode (Full-Duplex, CKE = 0,<br>CKP = 1, SMP = 0) .....   | 383 |
| SPI1 Slave Mode (Full-Duplex, CKE = 1,<br>CKP = 0, SMP = 0) .....   | 379 |
| SPI1 Slave Mode (Full-Duplex, CKE = 1,<br>CKP = 1, SMP = 0) .....   | 381 |
| SPI2 Master Mode (Full-Duplex, CKE = 0,<br>CKP = x, SMP = 1) .....  | 365 |
| SPI2 Master Mode (Full-Duplex, CKE = 1,<br>CKP = x, SMP = 1) .....  | 364 |
| SPI2 Master Mode (Half-Duplex,<br>Transmit Only, CKE = 0) .....   | 362 |
| SPI2 Master Mode (Half-Duplex,<br>Transmit Only, CKE = 1) .....   | 363 |
| SPI2 Slave Mode (Full-Duplex, CKE = 0,<br>CKP = 0, SMP = 0) .....   | 372 |
| SPI2 Slave Mode (Full-Duplex, CKE = 0,<br>CKP = 1, SMP = 0) .....   | 370 |

# dsPIC33EVXXGM00X/10X FAMILY

---

---

|   |     |          |                                   |          |
|---|-----|----------|-----------------------------------|----------|
| SPI2 Slave Mode (Full-Duplex, CKE = 1,<br>CKP = 0, SMP = 0) ..... | 366 | <b>V</b> | Voltage Regulator (On-Chip) ..... | 324      |
| SPI2 Slave Mode (Full-Duplex, CKE = 1,<br>CKP = 1, SMP = 0) ..... | 368 | <b>W</b> | Watchdog Timer (WDT).....         | 317, 325 |
| Timer1-Timer5 External Clock .....                                | 357 |          | Programming Considerations .....  | 325      |
| UARTx I/O.....  | 391 |          | WWW Address .....                 | 493      |
| <b>U</b>  |     |          | WWW, On-Line Support.....         | 11       |
| UART  |     |          |                                   |          |
| Control Registers .....   | 249 |          |                                   |          |
| Helpful Tips .....  | 248 |          |                                   |          |
| Universal Asynchronous Receiver                                   |     |          |                                   |          |
| Transmitter (UART).....   | 247 |          |                                   |          |
| Universal Asynchronous Receiver Transmitter. See UART.            |     |          |                                   |          |
| User OTP Memory .....   | 324 |          |                                   |          |

# dsPIC33EVXXGM00X/10X FAMILY

---

---

NOTES:

## THE MICROCHIP WEB SITE

Microchip provides online support via our WWW site at [www.microchip.com](http://www.microchip.com). This web site is used as a means to make files and information easily available to customers. Accessible by using your favorite Internet browser, the web site contains the following information:

- **Product Support** – Data sheets and errata, application notes and sample programs, design resources, user's guides and hardware support documents, latest software releases and archived software
- **General Technical Support** – Frequently Asked Questions (FAQ), technical support requests, online discussion groups, Microchip consultant program member listing
- **Business of Microchip** – Product selector and ordering guides, latest Microchip press releases, listing of seminars and events, listings of Microchip sales offices, distributors and factory representatives

## CUSTOMER CHANGE NOTIFICATION SERVICE

Microchip's customer notification service helps keep customers current on Microchip products. Subscribers will receive e-mail notification whenever there are changes, updates, revisions or errata related to a specified product family or development tool of interest.

To register, access the Microchip web site at [www.microchip.com](http://www.microchip.com). Under "Support", click on "Customer Change Notification" and follow the registration instructions.

## CUSTOMER SUPPORT

Users of Microchip products can receive assistance through several channels:

- Distributor or Representative
- Local Sales Office
- Field Application Engineer (FAE)
- Technical Support

Customers should contact their distributor, representative or Field Application Engineer (FAE) for support. Local sales offices are also available to help customers. A listing of sales offices and locations is included in the back of this document.

**Technical support is available through the web site at: <http://microchip.com/support>**

# dsPIC33EVXXGM00X/10X FAMILY

---

---

NOTES:



# dsPIC33EVXXXGM00X/10X FAMILY

## PRODUCT IDENTIFICATION SYSTEM

To order or obtain information, e.g., on pricing or delivery, refer to the factory or the listed sales office.

|  |  |  |
|--|--|--|
| <p style="text-align: center;"><b>dsPIC 33 EV XXX GM0 0X T PT - XXX</b></p> <p><b>Microchip Trademark</b> _____</p> <p><b>Architecture</b> _____</p> <p><b>Core Family</b> _____</p> <p><b>Program Memory Size (Kbytes)</b> _____</p> <p><b>Product Group</b> _____</p> <p><b>Pin Count</b> _____</p> <p><b>Tape and Reel Flag (if applicable)</b> _____</p> <p><b>Package</b> _____</p> <p><b>Pattern</b> _____</p>   |  | <p><b>Example:</b></p> <p>dsPIC33EV256GM006-I/PT:<br/>dsPIC33, Enhanced Voltage,<br/>256-Kbyte Program Memory, 64-Pin,<br/>Industrial Temperature, TQFP Package.</p> |
| <p><b>Architecture:</b>        33 = 16-Bit Digital Signal Controller</p> <p><b>Family:</b>                EV = Enhanced Voltage</p> <p><b>Product Group:</b>        GM = General Purpose plus Motor Control Family</p> <p><b>Pin Count:</b>            02 = 28-Pin<br/>                              04 = 44-Pin<br/>                              06 = 64-Pin</p> <p><b>Temperature Range</b>    I = -40°C to +85°C (Industrial)<br/>                              E = -40°C to +125°C (Extended)<br/>                              H = -40°C to +150°C (High)</p> <p><b>Package:</b>                MM = Plastic Quad Flat, No Lead Package – (28-pin) 6x6x0.9 mm body (QFN-S)<br/>                              SO = Plastic Small Outline – (28-pin) 7.50 mm body (SOIC)<br/>                              SS = Plastic Shrink Small Outline – (28-pin) 5.30 mm body (SSOP)<br/>                              SP = Skinny Plastic Dual In-Line – (28-pin) 300 mil body (SPDIP)<br/>                              ML = Plastic Quad Flat, No Lead Package – (44-pin) 8x8 mm body (QFN)<br/>                              MR = Plastic Quad Flat, No Lead Package – (64-pin) 9x9x0.9 mm body (QFN)<br/>                              PT = Plastic Thin Quad Flatpack – (44-pin) 10x10x1 mm body (TQFP)<br/>                              PT = Plastic Thin Quad Flatpack – (64-pin) 10x10x1 mm body (TQFP)</p> |  |  |

# dsPIC33EVXXGM00X/10X FAMILY

---

---

NOTES:

---

---

**Note the following details of the code protection feature on Microchip devices:**

- Microchip products meet the specification contained in their particular Microchip Data Sheet.
- Microchip believes that its family of products is one of the most secure families of its kind on the market today, when used in the intended manner and under normal conditions.
- There are dishonest and possibly illegal methods used to breach the code protection feature. All of these methods, to our knowledge, require using the Microchip products in a manner outside the operating specifications contained in Microchip's Data Sheets. Most likely, the person doing so is engaged in theft of intellectual property.
- Microchip is willing to work with the customer who is concerned about the integrity of their code.
- Neither Microchip nor any other semiconductor manufacturer can guarantee the security of their code. Code protection does not mean that we are guaranteeing the product as “unbreakable.”

Code protection is constantly evolving. We at Microchip are committed to continuously improving the code protection features of our products. Attempts to break Microchip's code protection feature may be a violation of the Digital Millennium Copyright Act. If such acts allow unauthorized access to your software or other copyrighted work, you may have a right to sue for relief under that Act.

---

Information contained in this publication regarding device applications and the like is provided only for your convenience and may be superseded by updates. It is your responsibility to ensure that your application meets with your specifications. MICROCHIP MAKES NO REPRESENTATIONS OR WARRANTIES OF ANY KIND WHETHER EXPRESS OR IMPLIED, WRITTEN OR ORAL, STATUTORY OR OTHERWISE, RELATED TO THE INFORMATION, INCLUDING BUT NOT LIMITED TO ITS CONDITION, QUALITY, PERFORMANCE, MERCHANTABILITY OR FITNESS FOR PURPOSE. Microchip disclaims all liability arising from this information and its use. Use of Microchip devices in life support and/or safety applications is entirely at the buyer's risk, and the buyer agrees to defend, indemnify and hold harmless Microchip from any and all damages, claims, suits, or expenses resulting from such use. No licenses are conveyed, implicitly or otherwise, under any Microchip intellectual property rights unless otherwise stated.

*Microchip received ISO/TS-16949:2009 certification for its worldwide headquarters, design and wafer fabrication facilities in Chandler and Tempe, Arizona; Gresham, Oregon and design centers in California and India. The Company's quality system processes and procedures are for its PIC® MCUs and dsPIC® DSCs, KEELoC® code hopping devices, Serial EEPROMs, microperipherals, nonvolatile memory and analog products. In addition, Microchip's quality system for the design and manufacture of development systems is ISO 9001:2000 certified.*

**QUALITY MANAGEMENT SYSTEM  
CERTIFIED BY DNV  
= ISO/TS 16949 =**

### Trademarks

The Microchip name and logo, the Microchip logo, AnyRate, dsPIC, FlashFlex, flexPWR, Heldo, JukeBlox, KeeLoq, KeeLoq logo, Klear, LANCheck, LINK MD, MediaLB, MOST, MOST logo, MPLAB, OptoLyzer, PIC, PICSTART, PIC32 logo, RightTouch, SpyNIC, SST, SST Logo, SuperFlash and UNI/O are registered trademarks of Microchip Technology Incorporated in the U.S.A. and other countries.

ClockWorks, The Embedded Control Solutions Company, ETHERSYNCH, Hyper Speed Control, HyperLight Load, IntelliMOS, mTouch, Precision Edge, and QUIET-WIRE are registered trademarks of Microchip Technology Incorporated in the U.S.A.

Analog-for-the-Digital Age, Any Capacitor, AnyIn, AnyOut, BodyCom, chipKIT, chipKIT logo, CodeGuard, dsPICDEM, dsPICDEM.net, Dynamic Average Matching, DAM, ECAN, EtherGREEN, In-Circuit Serial Programming, ICSP, Inter-Chip Connectivity, JitterBlocker, KlearNet, KlearNet logo, MiWi, motorBench, MPASM, MPF, MPLAB Certified logo, MPLIB, MPLINK, MultiTRAK, NetDetach, Omniscient Code Generation, PICDEM, PICDEM.net, PICkit, PICtail, PureSilicon, RightTouch logo, REAL ICE, Ripple Blocker, Serial Quad I/O, SQL, SuperSwitcher, SuperSwitcher II, Total Endurance, TSHARC, USBCheck, VariSense, ViewSpan, WiperLock, Wireless DNA, and ZENA are trademarks of Microchip Technology Incorporated in the U.S.A. and other countries.

SQTP is a service mark of Microchip Technology Incorporated in the U.S.A.

Silicon Storage Technology is a registered trademark of Microchip Technology Inc. in other countries.

GestIC is a registered trademarks of Microchip Technology Germany II GmbH & Co. KG, a subsidiary of Microchip Technology Inc., in other countries.

All other trademarks mentioned herein are property of their respective companies.

© 2013-2016, Microchip Technology Incorporated, Printed in the U.S.A., All Rights Reserved.

ISBN: 978-1-5224-0975-5



# MICROCHIP

## Worldwide Sales and Service

### AMERICAS

#### Corporate Office

2355 West Chandler Blvd.  
Chandler, AZ 85224-6199  
Tel: 480-792-7200  
Fax: 480-792-7277  
Technical Support:  
<http://www.microchip.com/support>

Web Address:  
[www.microchip.com](http://www.microchip.com)

#### Atlanta

Duluth, GA  
Tel: 678-957-9614  
Fax: 678-957-1455

#### Austin, TX

Tel: 512-257-3370

#### Boston

Westborough, MA  
Tel: 774-760-0087  
Fax: 774-760-0088

#### Chicago

Itasca, IL  
Tel: 630-285-0071  
Fax: 630-285-0075

#### Cleveland

Independence, OH  
Tel: 216-447-0464  
Fax: 216-447-0643

#### Dallas

Addison, TX  
Tel: 972-818-7423  
Fax: 972-818-2924

#### Detroit

Novi, MI  
Tel: 248-848-4000

#### Houston, TX

Tel: 281-894-5983

#### Indianapolis

Noblesville, IN  
Tel: 317-773-8323  
Fax: 317-773-5453

#### Los Angeles

Mission Viejo, CA  
Tel: 949-462-9523  
Fax: 949-462-9608

#### New York, NY

Tel: 631-435-6000

#### San Jose, CA

Tel: 408-735-9110

#### Canada - Toronto

Tel: 905-695-1980  
Fax: 905-695-2078

### ASIA/PACIFIC

#### Asia Pacific Office

Suites 3707-14, 37th Floor  
Tower 6, The Gateway  
Harbour City, Kowloon

#### Hong Kong

Tel: 852-2943-5100  
Fax: 852-2401-3431

#### Australia - Sydney

Tel: 61-2-9868-6733  
Fax: 61-2-9868-6755

#### China - Beijing

Tel: 86-10-8569-7000  
Fax: 86-10-8528-2104

#### China - Chengdu

Tel: 86-28-8665-5511  
Fax: 86-28-8665-7889

#### China - Chongqing

Tel: 86-23-8980-9588  
Fax: 86-23-8980-9500

#### China - Dongguan

Tel: 86-769-8702-9880

#### China - Guangzhou

Tel: 86-20-8755-8029

#### China - Hangzhou

Tel: 86-571-8792-8115  
Fax: 86-571-8792-8116

#### China - Hong Kong SAR

Tel: 852-2943-5100  
Fax: 852-2401-3431

#### China - Nanjing

Tel: 86-25-8473-2460  
Fax: 86-25-8473-2470

#### China - Qingdao

Tel: 86-532-8502-7355  
Fax: 86-532-8502-7205

#### China - Shanghai

Tel: 86-21-5407-5533  
Fax: 86-21-5407-5066

#### China - Shenyang

Tel: 86-24-2334-2829  
Fax: 86-24-2334-2393

#### China - Shenzhen

Tel: 86-755-8864-2200  
Fax: 86-755-8203-1760

#### China - Wuhan

Tel: 86-27-5980-5300  
Fax: 86-27-5980-5118

#### China - Xian

Tel: 86-29-8833-7252  
Fax: 86-29-8833-7256

### ASIA/PACIFIC

#### China - Xiamen

Tel: 86-592-2388138  
Fax: 86-592-2388130

#### China - Zhuhai

Tel: 86-756-3210040  
Fax: 86-756-3210049

#### India - Bangalore

Tel: 91-80-3090-4444  
Fax: 91-80-3090-4123

#### India - New Delhi

Tel: 91-11-4160-8631  
Fax: 91-11-4160-8632

#### India - Pune

Tel: 91-20-3019-1500

#### Japan - Osaka

Tel: 81-6-6152-7160  
Fax: 81-6-6152-9310

#### Japan - Tokyo

Tel: 81-3-6880-3770  
Fax: 81-3-6880-3771

#### Korea - Daegu

Tel: 82-53-744-4301  
Fax: 82-53-744-4302

#### Korea - Seoul

Tel: 82-2-554-7200  
Fax: 82-2-558-5932 or  
82-2-558-5934

#### Malaysia - Kuala Lumpur

Tel: 60-3-6201-9857  
Fax: 60-3-6201-9859

#### Malaysia - Penang

Tel: 60-4-227-8870  
Fax: 60-4-227-4068

#### Philippines - Manila

Tel: 63-2-634-9065  
Fax: 63-2-634-9069

#### Singapore

Tel: 65-6334-8870  
Fax: 65-6334-8850

#### Taiwan - Hsin Chu

Tel: 886-3-5778-366  
Fax: 886-3-5770-955

#### Taiwan - Kaohsiung

Tel: 886-7-213-7828

#### Taiwan - Taipei

Tel: 886-2-2508-8600  
Fax: 886-2-2508-0102

#### Thailand - Bangkok

Tel: 66-2-694-1351  
Fax: 66-2-694-1350

### EUROPE

#### Austria - Wels

Tel: 43-7242-2244-39  
Fax: 43-7242-2244-393

#### Denmark - Copenhagen

Tel: 45-4450-2828  
Fax: 45-4485-2829

#### France - Paris

Tel: 33-1-69-53-63-20  
Fax: 33-1-69-30-90-79

#### Germany - Dusseldorf

Tel: 49-2129-3766400

#### Germany - Karlsruhe

Tel: 49-721-625370

#### Germany - Munich

Tel: 49-89-627-144-0  
Fax: 49-89-627-144-44

#### Italy - Milan

Tel: 39-0331-742611  
Fax: 39-0331-466781

#### Italy - Venice

Tel: 39-049-7625286

#### Netherlands - Drunen

Tel: 31-416-690399  
Fax: 31-416-690340

#### Poland - Warsaw

Tel: 48-22-3325737

#### Spain - Madrid

Tel: 34-91-708-08-90  
Fax: 34-91-708-08-91

#### Sweden - Stockholm

Tel: 46-8-5090-4654

#### UK - Wokingham

Tel: 44-118-921-5800  
Fax: 44-118-921-5820

06/23/16

# Mouser Electronics

Authorized Distributor

Click to View Pricing, Inventory, Delivery & Lifecycle Information:

## Microchip:

[dsPIC33EV128GM106-I/MR](#) [dsPIC33EV256GM106-I/PT](#) [dsPIC33EV256GM104-I/ML](#) [dsPIC33EV256GM102-I/SP](#)  
[dsPIC33EV64GM102-I/MM](#) [dsPIC33EV256GM104-I/PT](#) [dsPIC33EV64GM102-I/SP](#) [dsPIC33EV128GM104-I/ML](#)  
[dsPIC33EV64GM106-I/MR](#) [dsPIC33EV128GM102-I/SO](#) [dsPIC33EV64GM102-I/SO](#) [dsPIC33EV256GM106-I/MR](#)  
[dsPIC33EV128GM102-I/SP](#) [dsPIC33EV64GM104-I/PT](#) [dsPIC33EV256GM102-I/SO](#) [dsPIC33EV64GM106-I/PT](#)  
[dsPIC33EV128GM102-I/MM](#) [dsPIC33EV128GM104-I/PT](#) [dsPIC33EV64GM104-I/ML](#) [dsPIC33EV256GM102-I/MM](#)  
[dsPIC33EV128GM106-E/PT](#) [dsPIC33EV256GM106-E/PT](#) [dsPIC33EV256GM002-E/MM](#) [dsPIC33EV256GM002-I/MM](#)  
[dsPIC33EV128GM006-E/MR](#) [dsPIC33EV64GM004-I/ML](#) [dsPIC33EV64GM002-I/SO](#) [dsPIC33EV32GM002-E/SP](#)  
[dsPIC33EV32GM002-E/SO](#) [dsPIC33EV32GM102-I/SO](#) [dsPIC33EV32GM104-E/ML](#) [dsPIC33EV32GM006-E/MR](#)  
[dsPIC33EV32GM004-E/PT](#) [dsPIC33EV32GM002-E/MM](#) [dsPIC33EV32GM104-I/PT](#) [dsPIC33EV32GM102-I/SP](#)  
[dsPIC33EV32GM106-I/MR](#) [dsPIC33EV32GM002-I/MM](#) [dsPIC33EV128GM006-I/MR](#) [dsPIC33EV64GM002-E/SP](#)  
[dsPIC33EV128GM102-E/SO](#) [dsPIC33EV256GM004-E/PT](#) [dsPIC33EV64GM004-E/ML](#) [dsPIC33EV32GM002-I/SO](#)  
[dsPIC33EV32GM004-I/ML](#) [dsPIC33EV32GM106-E/MR](#) [dsPIC33EV64GM006-E/MR](#) [dsPIC33EV128GM006-E/PT](#)  
[dsPIC33EV32GM102-E/SP](#) [dsPIC33EV128GM004-I/PT](#) [dsPIC33EV256GM102-E/MM](#) [dsPIC33EV64GM006-E/PT](#)  
[dsPIC33EV32GM102-E/SO](#) [dsPIC33EV32GM102-E/MM](#) [dsPIC33EV32GM104-E/PT](#) [dsPIC33EV32GM006-I/PT](#)  
[dsPIC33EV256GM006-E/PT](#) [dsPIC33EV128GM004-E/ML](#) [dsPIC33EV64GM002-I/SP](#) [dsPIC33EV128GM002-E/SP](#)  
[dsPIC33EV256GM002-E/SO](#) [dsPIC33EV256GM102-E/SP](#) [dsPIC33EV64GM002-I/MM](#) [dsPIC33EV64GM106-E/PT](#)  
[dsPIC33EV256GM104-E/ML](#) [dsPIC33EV256GM106-E/MR](#) [dsPIC33EV128GM004-I/ML](#) [dsPIC33EV128GM106-I/PT](#)  
[dsPIC33EV256GM002-I/SO](#) [dsPIC33EV256GM002-E/SP](#) [dsPIC33EV32GM106-E/PT](#) [dsPIC33EV256GM006-E/MR](#)  
[dsPIC33EV64GM004-I/PT](#) [dsPIC33EV64GM002-E/MM](#) [dsPIC33EV64GM104-E/PT](#) [dsPIC33EV256GM004-I/ML](#)  
[dsPIC33EV128GM106-E/MR](#) [dsPIC33EV128GM002-I/MM](#) [dsPIC33EV64GM102-E/SO](#) [dsPIC33EV128GM104-E/ML](#)  
[dsPIC33EV128GM002-I/SO](#) [dsPIC33EV32GM002-I/SP](#) [dsPIC33EV128GM006-I/PT](#) [dsPIC33EV128GM002-I/SP](#)  
[dsPIC33EV128GM002-E/MM](#) [dsPIC33EV64GM106-E/MR](#) [dsPIC33EV256GM004-I/PT](#) [dsPIC33EV256GM102-E/SO](#)  
[dsPIC33EV128GM104-E/PT](#) [dsPIC33EV64GM006-I/PT](#) [dsPIC33EV64GM102-E/MM](#) [dsPIC33EV64GM104-E/ML](#)  
[dsPIC33EV64GM002-E/SO](#) [dsPIC33EV64GM006-I/MR](#) [dsPIC33EV128GM102T-I/SO](#) [dsPIC33EV32GM104T-I/ML](#)  
[dsPIC33EV128GM104T-I/ML](#) [dsPIC33EV256GM106T-I/MR](#) [dsPIC33EV128GM104T-I/PT](#) [dsPIC33EV32GM104T-I/PT](#)



Компания «ЭлектроПласт» предлагает заключение долгосрочных отношений при поставках импортных электронных компонентов на взаимовыгодных условиях!

Наши преимущества:

- Оперативные поставки широкого спектра электронных компонентов отечественного и импортного производства напрямую от производителей и с крупнейших мировых складов;
- Поставка более 17-ти миллионов наименований электронных компонентов;
- Поставка сложных, дефицитных, либо снятых с производства позиций;
- Оперативные сроки поставки под заказ (от 5 рабочих дней);
- Экспресс доставка в любую точку России;
- Техническая поддержка проекта, помощь в подборе аналогов, поставка прототипов;
- Система менеджмента качества сертифицирована по Международному стандарту ISO 9001;
- Лицензия ФСБ на осуществление работ с использованием сведений, составляющих государственную тайну;
- Поставка специализированных компонентов (Xilinx, Altera, Analog Devices, Intersil, Interpoint, Microsemi, Aeroflex, Peregrine, Syfer, Eurofarad, Texas Instrument, Miteq, Cobham, E2V, MA-COM, Hittite, Mini-Circuits, General Dynamics и др.);

Помимо этого, одним из направлений компании «ЭлектроПласт» является направление «Источники питания». Мы предлагаем Вам помощь Конструкторского отдела:

- Подбор оптимального решения, техническое обоснование при выборе компонента;
- Подбор аналогов;
- Консультации по применению компонента;
- Поставка образцов и прототипов;
- Техническая поддержка проекта;
- Защита от снятия компонента с производства.



#### Как с нами связаться

**Телефон:** 8 (812) 309 58 32 (многоканальный)

**Факс:** 8 (812) 320-02-42

**Электронная почта:** [org@eplast1.ru](mailto:org@eplast1.ru)

**Адрес:** 198099, г. Санкт-Петербург, ул. Калинина, дом 2, корпус 4, литера А.