

D		SHEET 1 OF 2	CF-198143-CD
REVISIONS			
LTR	DESCRIPTION	DATE	
B	INITIAL RELEASE		
C	(CL11) REM'D MIL DESIG. NUMBERS; SEE ECN: A8191	JM 9/17/09	
D	(CL 11) SEE ECN B3959	-----	

CF-198143-CD

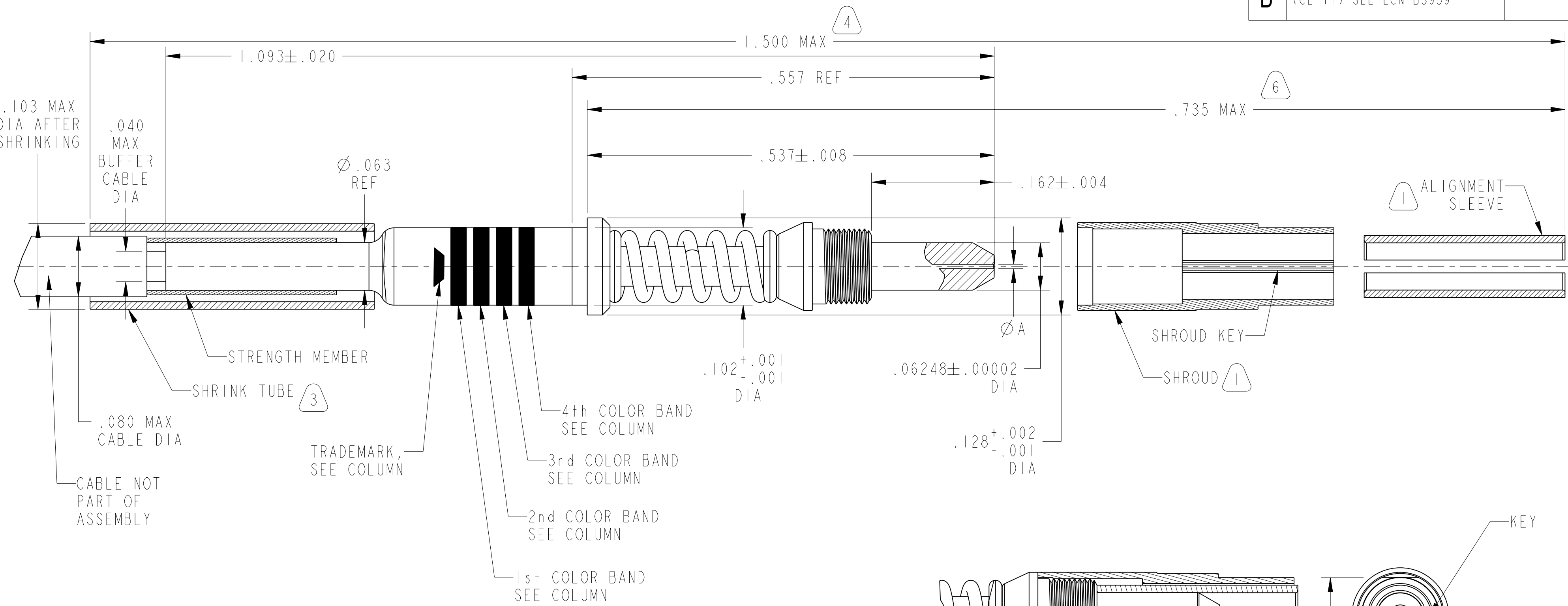
SHEET 1 OF 2

REV. D

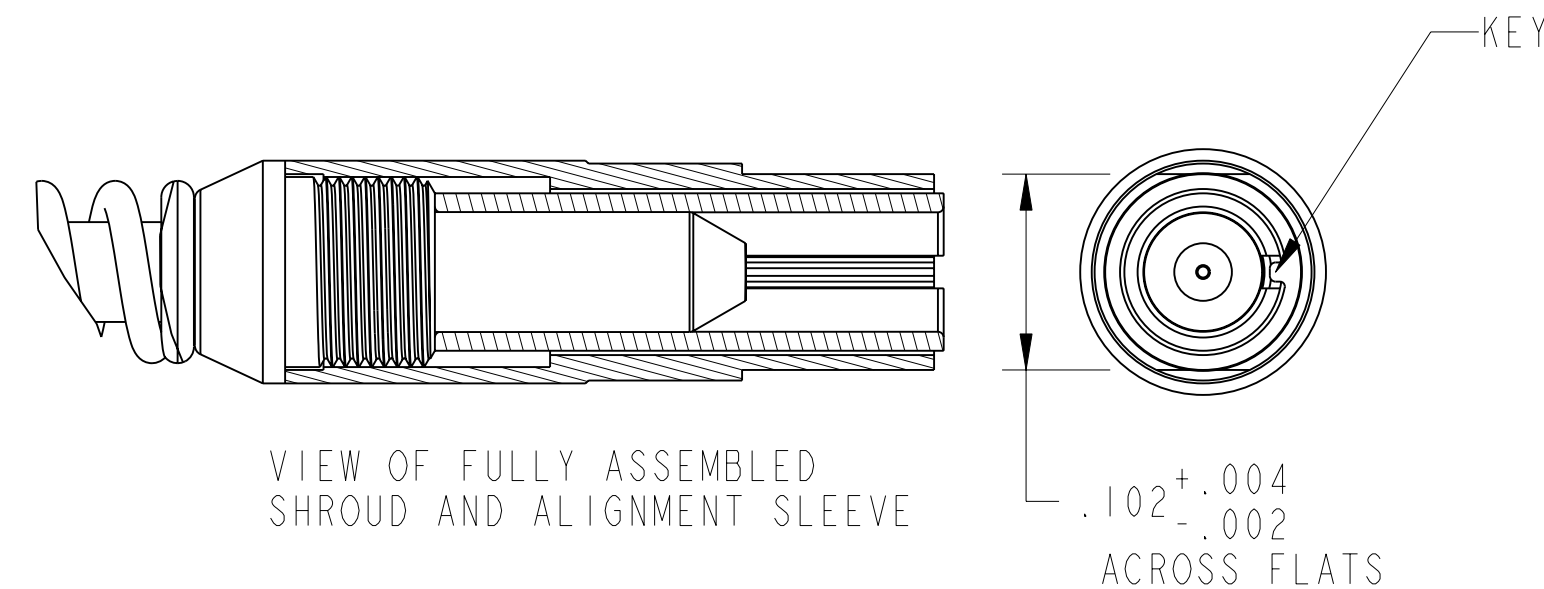
C

B

A



6. INDICATED DIMENSION WHEN SHROUD AND ALIGNMENT SLEEVE ARE FULLY ASSEMBLED.
5. FOR CABLE TERMINATION PROCEDURE REF. CF-9000- 4, CUSTOMER INSTALLATION INSTRUCTIONS.
4. INDICATED DIMENSION WHEN SHROUD, ALIGNMENT SLEEVE AND SHRINK TUBE ARE FULLY ASSEMBLED. NOTE: THREAD SHROUD ON, THEN ALIGN SLOT IN ALIGNMENT SLEEVE WITH KEY IN SHROUD, THEN PUSH ALIGNMENT SLEEVE ON UNTIL BOTTOMED ON TERMINUS.
3. SHRINK TUBE SHIPPED UNASSEMBLED.
2. SEE SHEET 2 FOR SPECIFIC PART NUMBER ORDERING INFORMATION.
EXAMPLE:
FIBER DIA: 127 MICRONS/TERMINUS P/N: CF-198143-010.
1. ALIGNMENT SLEEVE & SHROUD SHIPPED UNASSEMBLED.



NOTES:

THE USE OF THIS DOCUMENT IS UNLIMITED. HOWEVER, DOCUMENTS REFERENCED HEREON MAY CONTAIN LIMITED RIGHTS DATA.

N/A
NEXT ASSEMBLY

PRO/ENGINEER INFORMATION
 Pro/e Model Used:
 CF-198143-CD.XPLD.ASSEM
 Drawing Name:
 CF-198143-CD

UNLESS OTHERWISE SPECIFIED	SPECIFICATIONS	POS	QTY	PART NUMBER	DESCRIPTION	NOTE
LINEAR DIMENSIONS ARE IN INCHES TOLERANCES: .XXXX = ±.0005 ANGLES= ±2° .XXX = ±.010 .XX = ±.03 .X = ±.1 DIM. & TOL. PER ASME Y14.5M; DRM PER MIL-DTL-31000; OTHER Amphenol Stds. PER 9-3800 LEGENDS: =FLAG NOTE CALL OUT REFERENCE ONLY	MATERIAL SPEC.	APPROVALS		PARTS LIST		
	N/A	PREPARED BY JHEATH	DATE 08-Mar-06	AMPHENOL CORPORATION 40-60 DELAWARE AVENUE SIDNEY, NY 13858		
PROCESS SPEC.	N/A	DESIGN MANAGER HJOHNSON	DESIGN ACTIVITY GROUP MIL-AERO DEVELOP	SOCKET TERMINUS, FIBER OPTIC, EPOXY PC POLISH, SIZE 16 CUSTOMER OUTLINE DRAWING		
				THIRD ANGLE PROJECTION	SIZE C	CAGE CODE 77820
					DOCUMENT NO. CF-198143-CD	REV. D
					SCALE: 10:0	SHEET 1 OF 2

CF-198143-CD

SHEET 1 OF 2

REV. D

CF-198143-CD SHEET 1 OF 2 REV. D

CF-198143-CD

SHEET 2 OF 2

REV. D

C

B

A

PART NUMBER	SOC TERMINUS SUB-ASSEMBLY	A DIA		COLOR BANDS				MILITARY DESIGNATION NUMBER	TRADEMARK (DIRECTION OPTIONAL)	PART NUMBER	SOC TERMINUS SUB-ASSEMBLY	A DIA		COLOR BANDS				MILITARY DESIGNATION NUMBER	TRADEMARK (DIRECTION OPTIONAL)										
		INCHES REF	MICRONS	1st	2nd	3rd	4th					INCHES REF	MICRONS	1st	2nd	3rd	4th												
CF-198143-001	CF-200104-001	.0041	104+2/-0	N/A	N/A	N/A	N/A	N/A	N/A	CF-198143-048	CF-200104-048	.0088	224+4/-0	N/A	N/A	N/A	N/A	N/A	N/A	CF-198143-049	CF-200104-049	.0089	226	N/A	N/A	N/A	N/A	N/A	N/A
CF-198143-002	CF-200104-002	.0042	107	N/A	N/A	N/A	N/A	N/A	N/A	CF-198143-050	CF-200104-050	.0090	229	N/A	N/A	N/A	N/A	N/A	N/A	CF-198143-051	CF-200104-051	.0091	231	N/A	N/A	N/A	N/A	N/A	N/A
CF-198143-003	CF-200104-003	.0043	109	N/A	N/A	N/A	N/A	N/A	N/A	CF-198143-052	CF-200104-052	.0092	234	N/A	N/A	N/A	N/A	N/A	N/A	CF-198143-053	CF-200104-053	.0093	236	N/A	N/A	N/A	N/A	N/A	N/A
CF-198143-004	CF-200104-004	.0044	112	N/A	N/A	N/A	N/A	N/A	N/A	CF-198143-054	CF-200104-054	.0094	239	N/A	N/A	N/A	N/A	N/A	N/A	CF-198143-055	CF-200104-055	.0095	241	N/A	N/A	N/A	N/A	N/A	N/A
CF-198143-005	CF-200104-005	.0045	114	N/A	N/A	N/A	N/A	N/A	N/A	CF-198143-056	CF-200104-056	.0096	244	N/A	N/A	N/A	N/A	N/A	N/A	CF-198143-057	CF-200104-057	.0097	245	N/A	N/A	N/A	N/A	N/A	N/A
CF-198143-006	CF-200104-006	.0046	117	N/A	N/A	N/A	N/A	N/A	N/A	CF-198143-058	CF-200104-058	.0098	249	N/A	N/A	N/A	N/A	N/A	N/A	CF-198143-059	CF-200104-059	.0099	251	N/A	N/A	N/A	N/A	N/A	N/A
CF-198143-007	CF-200104-007	.0047	119	N/A	N/A	N/A	N/A	N/A	N/A	CF-198143-060	CF-200104-060	.0100	254	N/A	N/A	N/A	N/A	N/A	N/A	CF-198143-061	CF-200104-061	.0101	257	N/A	N/A	N/A	N/A	N/A	N/A
CF-198143-008	CF-200104-008	.0048	122	N/A	N/A	N/A	N/A	N/A	N/A	CF-198143-062	CF-200104-062	.0102	259	N/A	N/A	N/A	N/A	N/A	N/A	CF-198143-063	CF-200104-063	.0103	262	N/A	N/A	N/A	N/A	N/A	N/A
CF-198143-009	CF-200104-009	.00496	126	N/A	N/A	N/A	N/A	N/A	N/A	CF-198143-064	CF-200104-064	.0104	264	N/A	N/A	N/A	N/A	N/A	N/A	CF-198143-065	CF-200104-065	.0105	267	N/A	N/A	N/A	N/A	N/A	N/A
CF-198143-010	CF-200104-010	.0050	127	YELLOW	BLACK	YELLOW	BLUE	N/A	AS SHOWN	CF-198143-066	CF-200104-066	.0106	269	N/A	N/A	N/A	N/A	N/A	N/A	CF-198143-067	CF-200104-067	.0107	272	N/A	N/A	N/A	N/A	N/A	N/A
CF-198143-011	CF-200104-011	.0051	130	N/A	N/A	N/A	N/A	N/A	N/A	CF-198143-068	CF-200104-068	.0108	274	N/A	N/A	N/A	N/A	N/A	N/A	CF-198143-069	CF-200104-069	.0109	277	N/A	N/A	N/A	N/A	N/A	N/A
CF-198143-012	CF-200104-012	.0052	132	N/A	N/A	N/A	N/A	N/A	N/A	CF-198143-070	CF-200104-070	.0110	279	N/A	N/A	N/A	N/A	N/A	N/A	CF-198143-071	CF-200104-071	.0111	282	N/A	N/A	N/A	N/A	N/A	N/A
CF-198143-013	CF-200104-013	.0053	135	N/A	N/A	N/A	N/A	N/A	N/A	CF-198143-072	CF-200104-072	.0112	285	N/A	N/A	N/A	N/A	N/A	N/A	CF-198143-073	CF-200104-073	.01126	286	N/A	N/A	N/A	N/A	N/A	N/A
CF-198143-014	CF-200104-014	.0054	137	N/A	N/A	N/A	N/A	N/A	N/A	CF-198143-074	CF-200104-074	.0114	290	N/A	N/A	N/A	N/A	N/A	N/A	CF-198143-075	CF-200104-075	.0115	292	N/A	N/A	N/A	N/A	N/A	N/A
CF-198143-015	CF-200104-015	.0055	140	N/A	N/A	N/A	N/A	N/A	N/A	CF-198143-076	CF-200104-076	.0116	295	N/A	N/A	N/A	N/A	N/A	N/A	CF-198143-077	CF-200104-077	.0117	297	N/A	N/A	N/A	N/A	N/A	N/A
CF-198143-016	CF-200104-016	.0056	142+3/-0	N/A	N/A	N/A	N/A	N/A	N/A	CF-198143-078	CF-200104-078	.0118	300	N/A	N/A	N/A	N/A	N/A	N/A	CF-198143-079	CF-200104-079	.0119	302	N/A	N/A	N/A	N/A	N/A	N/A
CF-198143-017	CF-200104-017	.0057	145	YELLOW	BLACK	GREEN	BLACK	N/A	AS SHOWN	CF-198143-080	CF-200104-080	.0120	305	N/A	N/A	N/A	N/A	N/A	N/A	CF-198143-081	CF-200104-081	.0121	308	N/A	N/A	N/A	N/A	N/A	N/A
CF-198143-018	CF-200104-018	.0058	147	N/A	N/A	N/A	N/A	N/A	N/A	CF-198143-082	CF-200104-082	.0122	310	N/A	N/A	N/A	N/A	N/A	N/A	CF-198143-083	CF-200104-083	.0123	313	N/A	N/A	N/A	N/A	N/A	N/A
CF-198143-019	CF-200104-019	.0059	150	N/A	N/A	N/A	N/A	N/A	N/A	CF-198143-084	CF-200104-084	.0124	315	N/A	N/A	N/A	N/A	N/A	N/A	CF-198143-085	CF-200104-085	.0125	318	N/A	N/A	N/A	N/A	N/A	N/A
CF-198143-020	CF-200104-020	.0060	152	N/A	N/A	N/A	N/A	N/A	N/A	CF-198143-086	CF-200104-086	.0126	320	N/A	N/A	N/A	N/A	N/A	N/A	CF-198143-087	CF-200104-087	.0127	323	N/A	N/A	N/A	N/A	N/A	N/A
CF-198143-021	CF-200104-021	.00614	156	N/A	N/A	N/A	N/A	N/A	N/A	CF-198143-088	CF-200104-088	.0128	325	N/A	N/A	N/A	N/A	N/A	N/A	CF-198143-089	CF-200104-089	.0129	328	N/A	N/A	N/A	N/A	N/A	N/A
CF-198143-022	CF-200104-022	.0062	157	N/A	N/A	N/A	N/A	N/A	N/A	CF-198143-090	CF-200104-090	.0130	330	N/A	N/A	N/A	N/A	N/A	N/A	CF-198143-091	CF-200104-091	.0131	333	N/A	N/A	N/A	N/A	N/A	N/A
CF-198143-023	CF-200102-023	.0063	160	N/A	N/A	N/A	N/A	N/A	N/A	CF-198143-092	CF-200104-092	.0132	335	N/A	N/A	N/A	N/A	N/A	N/A	CF-198143-093	CF-200104-093	.0133	338	N/A	N/A	N/A	N/A	N/A	N/A
CF-198143-024	CF-200104-024	.0064	163	N/A	N/A	N/A	N/A	N/A	N/A	CF-198143-094	CF-200104-094	.0134	341	N/A	N/A	N/A	N/A	N/A	N/A	CF-198143-095	CF-200104-095	.0135	343	N/A	N/A	N/A	N/A	N/A	N/A
CF-198143-025	CF-200104-025	.0065	165	N/A	N/A	N/A	N/A	N/A	N/A	CF-198143-125	CF-200104-125	.00492	125+1/-0	N/A	N/A	N/A	N/A	N/A	N/A	CF-198143-25A	CF-200104-25A	.00494	125.5	N/A	N/A	N/A	N/A	N/A	N/A
CF-198143-026	CF-200104-026	.0066	168	N/A	N/A	N/A	N/A	N/A	N/A	CF-198143-126	CF-200104-126	.00496	126	N/A	N/A	N/A	N/A	N/A	N/A										
CF-198143-027	CF-200104-027	.0067	170	N/A	N/A	N/A	N/A	N/A	N/A																				
CF-198143-028	CF-200104-028	.0068	173	N/A	N/A	N/A	N/A	N/A	N/A																				
CF-198143-29A	CF-200104-29A	.00681	173+1/-0	YELLOW	BLACK	GRAY	GRAY	N/A	AS SHOWN																				
CF-198143-029	CF-200104-029	.0069	175+3/-0	N/A	N/A	N/A	N/A	N/A	N/A																				
CF-198143-030	CF-200104-030	.0070	178	N/A	N/A	N/A	N/A	N/A	N/A																				
CF-198143-031	CF-200104-031	.0071	180	N/A	N/A	N/A	N/A	N/A	N/A																				
CF-198143-032	CF-200104-032	.0072	183	N/A	N/A	N/A	N/A	N/A	N/A																				
CF-198143-033	CF-200104-033	.0073	185	N/A	N/A	N/A	N/A	N/A	N/A																				
CF-198143-034	CF-200104-034	.0074	188	N/A	N/A	N/A	N/A	N/A	N/A																				
CF-198143-035	CF-200104-035	.0075	191	N/A	N/A	N/A	N/A	N/A	N/A																				
CF-198143-036	CF-200104-036	.0076	193	N/A	N/A	N/A	N/A	N/A	N/A																				
CF-198143-037	CF-200104-037	.0077	196	N/A	N/A	N/A	N/A	N/A	N/A																				
CF-198143-038	CF-200104-038	.0078	198	N/A	N/A	N/A	N/A	N/A	N/A																				
CF-198143-039	CF-200104-039	.0079	201	N/A	N/A	N/A	N/A	N/A	N/A																				
CF-198143-040	CF-200104-040	.0080	203	N/A	N/A	N/A	N/A	N/A	N/A																				
CF-198143-041	CF-200104-041	.0081	206+4/-0	N/A	N/A	N/A	N/A	N/A	N/A																				
CF-198143-042	CF-200104-042	.0082	208	N/A	N/A	N/A	N/A	N/A	N/A																				
CF-198143-043	CF-200104-043	.0083	211	N/A	N/A	N/A	N/A	N/A	N/A																				
CF-198143-044	CF-200104-044	.0084	213	N/A	N/A	N/A	N/A	N/A	N/A																				
CF-198143-045	CF-200104-045	.0085	216	N/A	N/A	N/A	N/A	N/A	N/A																				
CF-198143-046	CF-200104-046	.0086	218	N/A	N/A	N/A	N/A	N/A	N/A																				
CF-198143-047	CF-200104-047	.0087	221	N/A	N/A	N/A	N/A	N/A	N/A																				

NOTES: 2

INTENDED FOR SINGLEMODE USE

CF-198143-125	CF-200104-125	.00492	125+1/-0	N/A	N/A	N/A	N/A	N/A	N/A	CF-198143-25A	CF-200104-25A	.00494	125.5	N/A	N/A	N/A	N/A	N/A	N/A
CF-198143-126	CF-200104-126	.00496	126	N/A	N/A	N/A	N/A	N/A	N/A										

THE USE OF THIS DOCUMENT IS UNLIMITED. HOWEVER, DOCUMENTS REFERENCED HEREON MAY CONTAIN LIMITED RIGHTS DATA.

SIZE C	CAGE CODE 77820	DOCUMENT NO. CF-198143-CD	REV. D
SCALE: 1.0	REF: CF-198035-CD	SHEET 2 OF 2	

D

C

0

D

Eng PDM Information For Reference Only

D



Компания «ЭлектроПласт» предлагает заключение долгосрочных отношений при поставках импортных электронных компонентов на взаимовыгодных условиях!

Наши преимущества:

- Оперативные поставки широкого спектра электронных компонентов отечественного и импортного производства напрямую от производителей и с крупнейших мировых складов;
- Поставка более 17-ти миллионов наименований электронных компонентов;
- Поставка сложных, дефицитных, либо снятых с производства позиций;
- Оперативные сроки поставки под заказ (от 5 рабочих дней);
- Экспресс доставка в любую точку России;
- Техническая поддержка проекта, помощь в подборе аналогов, поставка прототипов;
- Система менеджмента качества сертифицирована по Международному стандарту ISO 9001;
- Лицензия ФСБ на осуществление работ с использованием сведений, составляющих государственную тайну;
- Поставка специализированных компонентов (Xilinx, Altera, Analog Devices, Intersil, Interpoint, Microsemi, Aeroflex, Peregrine, Syfer, Eurofarad, Texas Instrument, Miteq, Cobham, E2V, MA-COM, Hittite, Mini-Circuits, General Dynamics и др.);

Помимо этого, одним из направлений компании «ЭлектроПласт» является направление «Источники питания». Мы предлагаем Вам помощь Конструкторского отдела:

- Подбор оптимального решения, техническое обоснование при выборе компонента;
- Подбор аналогов;
- Консультации по применению компонента;
- Поставка образцов и прототипов;
- Техническая поддержка проекта;
- Защита от снятия компонента с производства.



Как с нами связаться

Телефон: 8 (812) 309 58 32 (многоканальный)

Факс: 8 (812) 320-02-42

Электронная почта: org@eplast1.ru

Адрес: 198099, г. Санкт-Петербург, ул. Калинина, дом 2, корпус 4, литера А.