



## Features

- 72 V rated
- Radial leaded devices
- Cured, flame retardant epoxy polymer insulating material meets UL 94 V-0 requirements
- RoHS compliant\* and halogen free\*\*
- Agency recognition:   

## Applications

Almost anywhere there is a low voltage power supply, up to 72 V and a load to be protected, including:

- Security and fire alarm systems
- Loudspeakers
- Power transformers

# MF-RX/72 Series - PTC Resettable Fuses

## Electrical Characteristics

| Model       | V max. Volts | I max. Amps | I <sub>hold</sub> | I <sub>trip</sub> | Initial Resistance |      | 1 Hour (R <sub>1</sub> ) Post-Trip Resistance | Max. Time To Trip |                  | Tripped Power Dissipation |
|-------------|--------------|-------------|-------------------|-------------------|--------------------|------|---|-------------------|------------------|---------------------------|
|             |              |             | Amperes at 23 °C  |                   | Ohms at 23 °C      |      | Ohms at 23 °C                                 | Amperes at 23 °C  | Seconds at 23 °C | Watts at 23 °C            |
|             |              |             | Hold              | Trip              | Min.               | Max. | Max.  |                   |                  | Typ.                      |
| MF-RX020/72 | 72           | 40          | 0.20              | 0.40              | 1.50               | 2.84 | 4.40  | 1.0               | 2.2              | 0.40                      |
| MF-RX025/72 | 72           | 40          | 0.25              | 0.50              | 1.00               | 1.95 | 3.00  | 1.25              | 2.5              | 0.45                      |
| MF-RX030/72 | 72           | 40          | 0.30              | 0.60              | 0.76               | 1.36 | 2.10  | 1.5               | 3.0              | 0.50                      |
| MF-RX040/72 | 72           | 40          | 0.40              | 0.80              | 0.52               | 0.86 | 1.29  | 2.0               | 3.9              | 0.55                      |
| MF-RX050/72 | 72           | 40          | 0.50              | 1.00              | 0.41               | 0.77 | 1.17  | 2.5               | 4.0              | 0.75                      |
| MF-RX065/72 | 72           | 40          | 0.65              | 1.30              | 0.27               | 0.48 | 0.72  | 3.25              | 5.3              | 0.90                      |
| MF-RX075/72 | 72           | 40          | 0.75              | 1.50              | 0.18               | 0.40 | 0.60  | 3.75              | 6.3              | 0.90                      |
| MF-RX090/72 | 72           | 40          | 0.90              | 1.80              | 0.14               | 0.31 | 0.47  | 4.5               | 7.2              | 1.00                      |
| MF-RX110/72 | 72           | 40          | 1.10              | 2.20              | 0.15               | 0.25 | 0.38  | 5.5               | 8.2              | 1.50                      |
| MF-RX135/72 | 72           | 40          | 1.35              | 2.70              | 0.12               | 0.19 | 0.30  | 6.75              | 9.6              | 1.70                      |
| MF-RX160/72 | 72           | 40          | 1.60              | 3.20              | 0.09               | 0.14 | 0.22  | 8.0               | 11.4             | 1.90                      |
| MF-RX185/72 | 72           | 40          | 1.85              | 3.70              | 0.08               | 0.12 | 0.19  | 9.25              | 12.6             | 2.10                      |
| MF-RX250/72 | 72           | 40          | 2.50              | 5.00              | 0.05               | 0.08 | 0.13  | 12.5              | 15.6             | 2.50                      |
| MF-RX300/72 | 72           | 40          | 3.00              | 6.00              | 0.04               | 0.06 | 0.10  | 15.0              | 19.8             | 2.80                      |
| MF-RX375/72 | 72           | 40          | 3.75              | 7.50              | 0.03               | 0.05 | 0.08  | 18.75             | 24.0             | 3.20                      |

## Environmental Characteristics

|   |  |                                 |
|---|--|---------------------------------|
| Operating/Storage Temperature .....                       | -40 °C to +85 °C                                       |                                 |
| Maximum Device Surface Temperature in Tripped State ..... | 125 °C   |                                 |
| Passive Aging .....                                       | +85 °C, 1000 hours..... ±5 % typical resistance change |                                 |
| Humidity Aging .....                                      | +85 °C, 85 % R.H. 1000 hours .....                     | ±5 % typical resistance change  |
| Thermal Shock .....                                       | +85 °C to -55 °C, 10 times.....                        | ±10 % typical resistance change |
| Solvent Resistance.....                                   | MIL-STD-202, Method 215 .....                          | No change                       |
| Vibration .....   | MIL-STD-883C, Method 2007.1.....                       | No change<br>Condition A        |

## Test Procedures And Requirements For Model MF-RX/72 Series

| Test                         | Test Conditions   | Accept/Reject Criteria                  |
|------------------------------|---|---|
| Visual/Mech. ....            | Verify dimensions and materials .....   | Per MF physical description             |
| Resistance .....             | In still air @ 23 °C .....  | R <sub>min</sub> ≤ R ≤ R <sub>max</sub> |
| Time to Trip.....            | 5 times I <sub>hold</sub> , V <sub>max</sub> , 23 °C .....  | T ≤ max. time to trip (seconds)         |
| Hold Current .....           | 30 min. at I <sub>hold</sub> .....  | No trip                                 |
| Trip Cycle Life.....         | V <sub>max</sub> , I <sub>max</sub> , 100 cycles.....   | No arcing or burning                    |
| Trip Endurance .....         | V <sub>max</sub> , 48 hours.....  | No arcing or burning                    |
|                              |   |   |
| UL File Number .....         | E174545<br><a href="http://www.ul.com/">http://www.ul.com/</a> Follow link to Certifications, then UL File No., enter E174545   |   |
| CSA File Number.....         | CA110338<br><a href="http://directories.csa-international.org/">http://directories.csa-international.org/</a> Under "Certification Record" and "File Number" enter 110338-0-000 |   |
| TÜV Certificate Number ..... | R 02057213<br><a href="http://www.tuvdotcom.com/">http://www.tuvdotcom.com/</a> Follow link to "other certificates", enter File No. 2057213                                     |   |

\* RoHS Directive 2002/95/EC Jan. 27, 2003 including annex and RoHS Recast 2011/65/EU June 8, 2011.  
 \*\* Bourns follows the prevailing definition of "halogen free" in the industry. Bourns considers a product to be "halogen free" if (a) the Bromine (Br) content is 900 ppm or less; (b) the Chlorine (Cl) content is 900 ppm or less; and (c) the total Bromine (Br) and Chlorine (Cl) content is 1500 ppm or less. Specifications are subject to change without notice.

The device characteristics and parameters in this data sheet can and do vary in different applications and actual device performance may vary over time. Users should verify actual device performance in their specific applications.

## Additional Features

- Resettable circuit protection
- Bulk packaging, tape and reel and Ammo-Pak available on most models

# MF-RX/72 Series - PTC Resettable Fuses

# BOURNS®

## Product Dimensions

| Model       | A                       | B                       | C                      |                       | D                    | E                     | Physical Characteristics |                         |          |
|-------------|-------------------------|-------------------------|------------------------|-----------------------|----------------------|-----------------------|--------------------------|-------------------------|----------|
|             | Max.                    | Max.                    | Nom.                   | Tol. ±                | Min.                 | Max.                  | Style                    | Lead Dia.               | Material |
| MF-RX020/72 | $\frac{7.4}{(0.291)}$   | $\frac{12.7}{(0.5)}$    | $\frac{5.1}{(0.201)}$  | $\frac{0.7}{(0.028)}$ | $\frac{7.6}{(0.30)}$ | $\frac{3.1}{(0.122)}$ | 1                        | $\frac{0.51}{(0.020)}$  | Sn/CuFe  |
| MF-RX025/72 | $\frac{7.4}{(0.291)}$   | $\frac{12.7}{(0.5)}$    | $\frac{5.1}{(0.201)}$  | $\frac{0.7}{(0.028)}$ | $\frac{7.6}{(0.30)}$ | $\frac{3.1}{(0.122)}$ | 1                        | $\frac{0.51}{(0.020)}$  | Sn/CuFe  |
| MF-RX030/72 | $\frac{7.4}{(0.291)}$   | $\frac{13.4}{(0.528)}$  | $\frac{5.1}{(0.201)}$  | $\frac{0.7}{(0.028)}$ | $\frac{7.6}{(0.30)}$ | $\frac{3.1}{(0.122)}$ | 1                        | $\frac{0.51}{(0.020)}$  | Sn/CuFe  |
| MF-RX040/72 | $\frac{7.4}{(0.291)}$   | $\frac{13.7}{(0.539)}$  | $\frac{5.1}{(0.201)}$  | $\frac{0.7}{(0.028)}$ | $\frac{7.6}{(0.30)}$ | $\frac{3.1}{(0.122)}$ | 1                        | $\frac{0.51}{(0.020)}$  | Sn/CuFe  |
| MF-RX050/72 | $\frac{7.9}{(0.311)}$   | $\frac{13.7}{(0.539)}$  | $\frac{5.1}{(0.201)}$  | $\frac{0.7}{(0.028)}$ | $\frac{7.6}{(0.30)}$ | $\frac{3.1}{(0.122)}$ | 1                        | $\frac{1.051}{(0.020)}$ | Sn/Cu    |
| MF-RX065/72 | $\frac{9.7}{(0.382)}$   | $\frac{15.2}{(0.598)}$  | $\frac{5.1}{(0.201)}$  | $\frac{0.7}{(0.028)}$ | $\frac{7.6}{(0.30)}$ | $\frac{3.1}{(0.122)}$ | 1                        | $\frac{0.51}{(0.020)}$  | Sn/Cu    |
| MF-RX075/72 | $\frac{10.4}{(0.409)}$  | $\frac{16.0}{(0.630)}$  | $\frac{5.1}{(0.201)}$  | $\frac{0.7}{(0.028)}$ | $\frac{7.6}{(0.30)}$ | $\frac{3.1}{(0.122)}$ | 1                        | $\frac{0.51}{(0.020)}$  | Sn/Cu    |
| MF-RX090/72 | $\frac{11.7}{(0.461)}$  | $\frac{16.70}{(0.657)}$ | $\frac{5.1}{(0.201)}$  | $\frac{0.7}{(0.028)}$ | $\frac{7.6}{(0.30)}$ | $\frac{3.1}{(0.122)}$ | 1                        | $\frac{0.51}{(0.020)}$  | Sn/Cu    |
| MF-RX110/72 | $\frac{10.84}{(0.427)}$ | $\frac{16.84}{(0.662)}$ | $\frac{5.1}{(0.201)}$  | $\frac{0.7}{(0.028)}$ | $\frac{7.6}{(0.30)}$ | $\frac{3.1}{(0.122)}$ | 2                        | $\frac{0.81}{(0.032)}$  | Sn/Cu    |
| MF-RX135/72 | $\frac{12.26}{(0.483)}$ | $\frac{18.26}{(0.718)}$ | $\frac{5.1}{(0.201)}$  | $\frac{0.7}{(0.028)}$ | $\frac{7.6}{(0.30)}$ | $\frac{3.1}{(0.122)}$ | 2                        | $\frac{0.81}{(0.032)}$  | Sn/Cu    |
| MF-RX160/72 | $\frac{13.94}{(0.549)}$ | $\frac{19.94}{(0.785)}$ | $\frac{5.1}{(0.201)}$  | $\frac{0.7}{(0.028)}$ | $\frac{7.6}{(0.30)}$ | $\frac{3.1}{(0.122)}$ | 2                        | $\frac{0.81}{(0.032)}$  | Sn/Cu    |
| MF-RX185/72 | $\frac{15.18}{(0.598)}$ | $\frac{21.18}{(0.833)}$ | $\frac{5.1}{(0.201)}$  | $\frac{0.7}{(0.028)}$ | $\frac{7.6}{(0.30)}$ | $\frac{3.1}{(0.122)}$ | 2                        | $\frac{0.81}{(0.032)}$  | Sn/Cu    |
| MF-RX250/72 | $\frac{17.84}{(0.702)}$ | $\frac{23.84}{(0.938)}$ | $\frac{10.2}{(0.402)}$ | $\frac{0.7}{(0.028)}$ | $\frac{7.6}{(0.30)}$ | $\frac{3.1}{(0.122)}$ | 2                        | $\frac{0.81}{(0.032)}$  | Sn/Cu    |
| MF-RX300/72 | $\frac{20.67}{(0.814)}$ | $\frac{26.67}{(1.050)}$ | $\frac{10.2}{(0.402)}$ | $\frac{0.7}{(0.028)}$ | $\frac{7.6}{(0.30)}$ | $\frac{3.1}{(0.122)}$ | 2                        | $\frac{0.81}{(0.032)}$  | Sn/Cu    |
| MF-RX375/72 | $\frac{23.51}{(0.926)}$ | $\frac{29.51}{(1.161)}$ | $\frac{10.2}{(0.402)}$ | $\frac{0.7}{(0.028)}$ | $\frac{7.6}{(0.30)}$ | $\frac{3.1}{(0.122)}$ | 2                        | $\frac{0.81}{(0.032)}$  | Sn/Cu    |

### Packaging options:

BULK: 500 pcs. per bag.

TAPE & REEL: MF-RX020/72-2 ~ MF-RX090/72-2 = 3000 pcs. per reel; MF-RX110/72-2 ~ MF-RX160/72-2 = 1500 pcs. per reel; MF-RX185/72-2 - MF-RX375/72-2 = 1000 pcs. per reel.

AMMO-PACK: MF-RX020/72-AP ~ MF-RX090/72-AP = 2000 pcs. per pack; MF-RX110/72-AP ~ MF-RX160/72-AP = 1000 pcs. per pack; MF-RX185/72-AP - MF-RX375/72-AP = 500 pcs. per pack.

DIMENSIONS:  $\frac{\text{MM}}{\text{(INCHES)}}$

Style 1



Style 2



## Typical Part Marking

Represents total content. Layout may vary.



## How to Order

**MF - RX 110/72 - 2**

Multifuse®  
Product Designator  
Series: RX = Radial Leaded Component  
Hold Current, I<sub>hold</sub>: 020-375 (0.20 Amps - 3.75 Amps)  
Maximum Voltage, V<sub>max</sub>: 72 (72 Volts)  
Packaging Options:  
- 0 = Bulk Packaging  
- 2 = Tape and Reel\*  
- AP = Ammo-Pak\*  
\*Packaged per EIA 486-B

Specifications are subject to change without notice. The device characteristics and parameters in this data sheet can and do vary in different applications and actual device performance may vary over time. Users should verify actual device performance in their specific applications.

# MF-RX/72 Series - PTC Resettable Fuses

**BOURNS®**

## Typical Time to Trip at 23 °C



The Time to Trip curves represent typical performance of a device in a simulated application environment. Actual performance in specific customer applications may differ from these values due to the influence of other variables.

## Thermal Derating Chart - $I_{hold}$ (Amps)

| Model       | Ambient Operating Temperature |        |      |       |       |       |       |       |       |
|-------------|-------------------------------|--------|------|-------|-------|-------|-------|-------|-------|
|             | -40 °C                        | -20 °C | 0 °C | 23 °C | 40 °C | 50 °C | 60 °C | 70 °C | 85 °C |
| MF-RX020/72 | 0.31                          | 0.27   | 0.24 | 0.20  | 0.16  | 0.14  | 0.13  | 0.11  | 0.08  |
| MF-RX025/72 | 0.39                          | 0.34   | 0.30 | 0.25  | 0.20  | 0.18  | 0.16  | 0.14  | 0.10  |
| MF-RX030/72 | 0.47                          | 0.41   | 0.36 | 0.30  | 0.24  | 0.22  | 0.19  | 0.16  | 0.12  |
| MF-RX040/72 | 0.62                          | 0.54   | 0.48 | 0.40  | 0.32  | 0.29  | 0.25  | 0.22  | 0.16  |
| MF-RX050/72 | 0.78                          | 0.68   | 0.60 | 0.50  | 0.41  | 0.36  | 0.32  | 0.27  | 0.20  |
| MF-RX065/72 | 1.01                          | 0.88   | 0.77 | 0.65  | 0.53  | 0.47  | 0.41  | 0.35  | 0.26  |
| MF-RX075/72 | 1.16                          | 1.02   | 0.89 | 0.75  | 0.61  | 0.54  | 0.47  | 0.41  | 0.30  |
| MF-RX090/72 | 1.40                          | 1.22   | 1.07 | 0.90  | 0.73  | 0.65  | 0.57  | 0.49  | 0.36  |
| MF-RX110/72 | 1.71                          | 1.50   | 1.31 | 1.10  | 0.89  | 0.79  | 0.69  | 0.59  | 0.44  |
| MF-RX135/72 | 2.09                          | 1.84   | 1.61 | 1.35  | 1.09  | 0.97  | 0.85  | 0.73  | 0.54  |
| MF-RX160/72 | 2.48                          | 2.18   | 1.90 | 1.60  | 1.30  | 1.15  | 1.01  | 0.86  | 0.64  |
| MF-RX185/72 | 2.87                          | 2.52   | 2.20 | 1.85  | 1.50  | 1.33  | 1.17  | 1.00  | 0.74  |
| MF-RX250/72 | 3.88                          | 3.40   | 2.98 | 2.50  | 2.03  | 1.80  | 1.58  | 1.35  | 1.00  |
| MF-RX300/72 | 4.65                          | 4.08   | 3.57 | 3.00  | 2.43  | 2.16  | 1.89  | 1.62  | 1.20  |
| MF-RX375/72 | 5.81                          | 5.10   | 4.46 | 3.75  | 3.04  | 2.70  | 2.36  | 2.03  | 1.50  |

MF-RX/72 SERIES, REV. I, 11/14

Specifications are subject to change without notice.

The device characteristics and parameters in this data sheet can and do vary in different applications and actual device performance may vary over time. Users should verify actual device performance in their specific applications.

# MF-R/72 & MF-RX/72 Series Tape and Reel Specifications **BOURNS®**

Devices taped using EIA468-B/IEC60286-2 standards. See table below and Figures 1 and 2 for details.

| Dimension Description  | IEC Mark     | EIA Mark   | Dimensions             |                                     |
|--|--------------|------------|------------------------|-------------------------------------|
|  |              |            | Dimensions             | Tolerance                           |
| Carrier tape width   | $W$          | $W$        | $\frac{18}{(.709)}$    | $\frac{-0.5/+1.0}{(-0.02/+0.039)}$  |
| Hold down tape width   | $W_0$        | $W_4$      | $\frac{11}{(.433)}$    | min.                                |
| Hold down tape   |              |            | No protrusion          |                                     |
| Top distance between tape edges                              | $W_2$        | $W_6$      | $\frac{3}{(.118)}$     | max.                                |
| Sprocket hole position                                       | $W_1$        | $W_5$      | $\frac{9}{(.354)}$     | $\frac{-0.5/+0.75}{(-0.02/+0.03)}$  |
| Sprocket hole diameter                                       | $D_0$        | $D_0$      | $\frac{4}{(.157)}$     | $\frac{\pm 0.2}{(\pm .0078)}$       |
| Abscissa to plane (straight lead)                            | $H$          | $H$        | $\frac{18.5}{(.728)}$  | $\frac{\pm 3.0}{(\pm .118)}$        |
| Abscissa to plane (kinked lead)                              | $H_0$        | $H_0$      | $\frac{16}{(.63)}$     | $\frac{\pm 0.5}{(\pm .02)}$         |
| Abscissa to top (straight lead)                              | $H_1$        | $H_1$      | $\frac{38.0}{(1.496)}$ | max.                                |
| Abscissa to top (kinked lead)                                | $H_1$        | $H_1$      | $\frac{32.2}{(1.268)}$ | max.                                |
| Overall width w/lead protrusion (straight lead)              |              | $C_1$      | $\frac{55.0}{(2.165)}$ | max.                                |
| Overall width w/lead protrusion (kinked lead)                |              | $C_1$      | $\frac{43.2}{(1.7)}$   | max.                                |
| Overall width w/o lead protrusion (straight lead)            |              | $C_2$      | $\frac{54.0}{(2.126)}$ | max.                                |
| Overall width w/o lead protrusion (kinked lead)              |              | $C_2$      | $\frac{42.5}{(1.673)}$ | max.                                |
| Lead protrusion  | $l_1$        | $L_1$      | $\frac{1.0}{(.039)}$   | max.                                |
| Protrusion of cutout   | $L$          | $L$        | $\frac{11}{(.433)}$    | max.                                |
| Protrusion beyond hold-down tape                             | $l_2$        | $l_2$      | Not specified          |                                     |
| Sprocket hole pitch  | $P_0$        | $P_0$      | $\frac{12.7}{(0.5)}$   | $\frac{\pm 0.3}{(\pm .012)}$        |
| Pitch tolerance  |              |            | 20 consecutive         | $\frac{\pm 1}{(\pm .039)}$          |
| Device pitch: MF-R/72, MF-RX110/72-MF-RX185/72               |              |            | $\frac{12.7}{(0.5)}$   | $\frac{\pm 0.3}{(\pm .012)}$        |
| Device pitch: MF-RX250/72-MF-RX375/72                        |              |            | $\frac{25.4}{(1.0)}$   | $\frac{\pm 0.6}{(\pm .024)}$        |
| Tape thickness   | $t$          | $t$        | $\frac{0.9}{(.035)}$   | max.                                |
| Tape thickness with splice: MF-R/72, MF-RX110/72-MF-RX185/72 |              | $t_1$      | $\frac{1.5}{(.059)}$   | max.                                |
| Tape thickness with splice: MF-RX250/72-MF-RX375/72          |              | $t_1$      | $\frac{2.3}{(.091)}$   | max.                                |
| Splice sprocket hole alignment                               |              |            | 0                      | $\frac{\pm 0.3}{(\pm .012)}$        |
| Body lateral deviation                                       | $\Delta h$   | $\Delta h$ | 0                      | $\frac{\pm 1}{(\pm .039)}$          |
| Body tape plane deviation                                    | $\Delta p$   | $\Delta p$ | 0                      | $\frac{\pm 1.3}{(\pm .051)}$        |
| Lead seating plane deviation                                 | $\Delta P_1$ | $P_1$      | $\frac{3.81}{(.015)}$  | $\frac{\pm 0.7}{(\pm .028)}$        |
| Lead spacing: MF-R/72, MF-RX110/72-MF-RX185/72               | $F$          | $F$        | $\frac{5.08}{(0.2)}$   | $\frac{-0.2/+0.8}{(-0.006/+0.031)}$ |
| Lead spacing: MF-RX250/72-MF-RX375/72                        | $F$          | $F$        | $\frac{10.2}{(0.402)}$ | $\frac{-0.2/+0.8}{(-0.006/+0.031)}$ |

Specifications are subject to change without notice.

The device characteristics and parameters in this data sheet can and do vary in different applications and actual device performance may vary over time. Users should verify actual device performance in their specific applications.

DIMENSIONS:  $\frac{\text{MM}}{\text{(INCHES)}}$

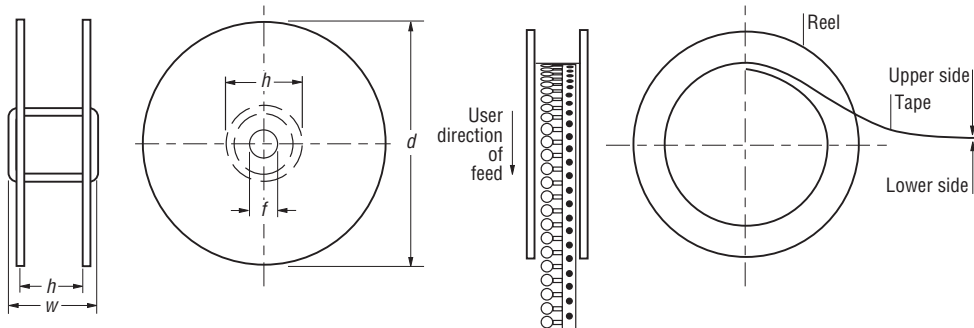
# MF-R/72 & MF-RX/72 Series Tape and Reel Specifications **BOURNS®**

| Dimension Description             | IEC Mark | EIA Mark | Dimensions  |                               |
|-----------------------------------|----------|----------|---|-------------------------------|
|                                   |          |          | Dimensions  | Tolerance                     |
| Reel width                        | $w$      | $W_2$    | $\frac{56.0}{(2.205)}$  | max.                          |
| Reel diameter                     | $d$      | $a$      | $\frac{370.0}{(14.57)}$                                       | max.                          |
| Space between flanges less device | $W_1$    | $h$      | $\frac{4.75}{(.187)}$   | $\frac{\pm 3.25}{(\pm .128)}$ |
| Arbor hole diameter               | $f$      | $c$      | $\frac{26.0}{(1.024)}$  | $\frac{\pm 12.0}{(\pm .472)}$ |
| Core diameter                     | $h$      | $n$      | $\frac{80}{(3.15)}$   | max.                          |
| Box                               |          |          | $\frac{64}{(2.52)}$ $\frac{372}{(14.6)}$ $\frac{372}{(14.6)}$ | max.                          |
| Consecutive missing places        |          |          | 3   | max.                          |
| Empty places per reel             |          |          | Not specified   |                               |

**Taped Component Dimensions - Figure 1**



**Reel Dimensions - Figure 2**



Specifications are subject to change without notice.  
 The device characteristics and parameters in this data sheet can and do vary in different applications and actual device performance may vary over time.  
 Users should verify actual device performance in their specific applications.



Компания «ЭлектроПласт» предлагает заключение долгосрочных отношений при поставках импортных электронных компонентов на взаимовыгодных условиях!

Наши преимущества:

- Оперативные поставки широкого спектра электронных компонентов отечественного и импортного производства напрямую от производителей и с крупнейших мировых складов;
- Поставка более 17-ти миллионов наименований электронных компонентов;
- Поставка сложных, дефицитных, либо снятых с производства позиций;
- Оперативные сроки поставки под заказ (от 5 рабочих дней);
- Экспресс доставка в любую точку России;
- Техническая поддержка проекта, помощь в подборе аналогов, поставка прототипов;
- Система менеджмента качества сертифицирована по Международному стандарту ISO 9001;
- Лицензия ФСБ на осуществление работ с использованием сведений, составляющих государственную тайну;
- Поставка специализированных компонентов (Xilinx, Altera, Analog Devices, Intersil, Interpoint, Microsemi, Aeroflex, Peregrine, Syfer, Eurofarad, Texas Instrument, Miteq, Cobham, E2V, MA-COM, Hittite, Mini-Circuits, General Dynamics и др.);

Помимо этого, одним из направлений компании «ЭлектроПласт» является направление «Источники питания». Мы предлагаем Вам помощь Конструкторского отдела:

- Подбор оптимального решения, техническое обоснование при выборе компонента;
- Подбор аналогов;
- Консультации по применению компонента;
- Поставка образцов и прототипов;
- Техническая поддержка проекта;
- Защита от снятия компонента с производства.



#### Как с нами связаться

**Телефон:** 8 (812) 309 58 32 (многоканальный)

**Факс:** 8 (812) 320-02-42

**Электронная почта:** [org@eplast1.ru](mailto:org@eplast1.ru)

**Адрес:** 198099, г. Санкт-Петербург, ул. Калинина, дом 2, корпус 4, литера А.