



SMT inductors

SIMID series, SIMID 1812-C

Series/Type: **B82432C**

Date: June 2019

SMD

Size 1812 (EIA) or 4532 (IEC)
Rated inductance 1 ... 1000 μ H
Rated current 55 ... 600 mA



Construction

- Upright ferrite drum core
- Laser-welded winding
- Flame-retardant molding

Features

- Temperature range up to +150 °C
- High Q factor
- Qualified to AEC-Q200
- Suitable for lead-free reflow soldering as referenced in JEDEC J-STD 020D
- RoHS-compatible

Applications

- Filtering of supply voltages, coupling, decoupling
- Antenna systems
- Automotive electronics
- Telecommunications
- Industrial electronics

Terminals

- Base material CuSn6
- Layer composition Cu, Ag, Sn (lead-free)¹⁾
- Electro-plated

Marking

- Marking on component:
 Manufacturer and letter "C",
 L value (in nH), tolerance of L value (coded),
 date of manufacture (YWWD)
- Minimum data on reel:
 Manufacturer, ordering code, L value, quantity, date of packing

Delivery mode and packing unit

- 12-mm blister tape, wound on 330-mm \varnothing reel
- Packing unit: 2500 pcs./reel

1) Ni-barrier-plated terminals on request (B82432C*50).

SIMID 1812-C

SMD

Dimensional drawing and layout recommendation



IND0053-6

A	B	C	D
3.6	1.3	3.2	5.8

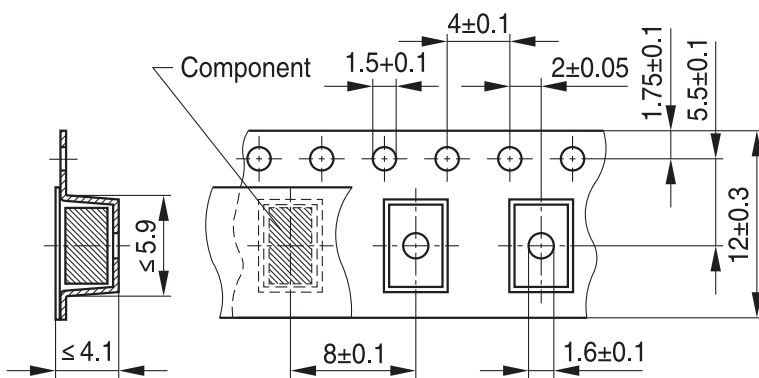
1) Soldering area

IND0083-T-E

Dimensions in mm

Taping and packing

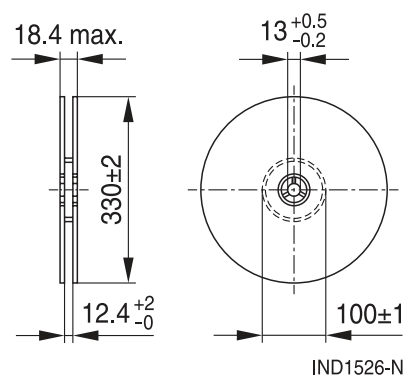
Blister tape



Direction of unreeling

IND0561-L-E

Reel



IND1526-N

Dimensions in mm

SMD
Technical data and measuring conditions

Rated inductance L_R	Measured with impedance analyzer Agilent 4294A or equivalent at frequency f_L , 0.1 V, +20 °C
Q factor Q_{\min}	Measured with impedance analyzer Agilent 4294A or equivalent at frequency f_Q , +20 °C
Rated temperature T_R	+85 °C
Rated current I_R	Maximum permissible DC with inductance decrease $\Delta L/L_0 \leq 10\%$ and temperature increase of ≤ 30 K at rated temperature
Self-resonance frequency $f_{\text{res},\min}$	Measured with impedance analyzer Agilent 4294A/E4991A or equivalent, +20 °C
DC resistance R_{\max}	Measured at +20 °C
Solderability (lead-free)	Sn95.5Ag3.8Cu0.7: +(245 ±5) °C, (5 ±0.3) s Wetting of soldering area $\geq 90\%$ (based on IEC 60068-2-58)
Resistance to soldering heat	+260 °C, 40 s (as referenced in JEDEC J-STD 020D)
Climatic category	55/150/56 (to IEC 60068-1)
Storage conditions	Mounted: -55 °C ... +150 °C Packaged: -25 °C ... +40 °C, $\leq 75\%$ RH
Weight	Approx. 130 mg

Characteristics and ordering codes

L_R μH	Tolerance	f_L MHz	Q_{\min}	f_Q MHz	I_R mA	R_{\max} Ω	$f_{\text{res},\min}$ MHz	Ordering code ¹⁾
1.0	±10% \triangleq K	1	40	7.96	600	0.28	200	B82432C1102K000
1.2		1	40	7.96	560	0.32	160	B82432C1122K000
1.5		1	40	7.96	535	0.35	120	B82432C1152K000
1.8		1	40	7.96	490	0.41	100	B82432C1182K000
2.2		1	40	7.96	480	0.43	90	B82432C1222K000
2.7		1	40	7.96	450	0.49	75	B82432C1272K000
3.3		1	40	7.96	425	0.55	60	B82432C1332K000
3.9		1	40	7.96	410	0.59	50	B82432C1392K000
4.7		1	40	7.96	390	0.65	40	B82432C1472K000
5.6		1	40	7.96	375	0.71	40	B82432C1562K000
6.8		1	40	7.96	360	0.78	35	B82432C1682K000
8.2		1	40	7.96	330	0.92	30	B82432C1822K000

1) For Ni-barrier-plated terminals replace the last two digits "00" by "50".

SMD
Characteristics and ordering codes

L_R μH	Tolerance	f_L MHz	Q_{\min}	f_Q MHz	I_R mA	R_{\max} Ω	$f_{\text{res,min}}$ MHz	Ordering code ¹⁾²⁾
10	$\pm 10\% \triangleq K$	1	40	7.96	320	0.98	28	B82432C1103K000
12		0.1	30	2.52	300	1.10	24	B82432C1123K000
15		0.1	30	2.52	280	1.25	21	B82432C1153K000
18		0.1	30	2.52	270	1.35	18	B82432C1183K000
22		0.1	30	2.52	260	1.45	16	B82432C1223K000
27		0.1	30	2.52	245	1.65	13	B82432C1273K000
33		$\pm 5\% \triangleq J$	0.1	30	2.52	230	1.85	13
39	$\pm 10\% \triangleq K$	0.1	30	2.52	220	2.05	12	B82432C1393+000
47		0.1	30	2.52	210	2.3	12	B82432C1473+000
56	$\pm 10\% \triangleq K$	0.1	30	2.52	200	2.5	11	B82432C1563+000
68		0.1	30	2.52	190	2.8	10	B82432C1683+000
82		0.1	30	2.52	175	3.2	9	B82432C1823+000
100		0.1	30	0.796	145	4.7	8	B82432C1104+000
120		0.1	30	0.796	140	5.2	8	B82432C1124+000
150		0.1	30	0.796	130	6.1	7	B82432C1154+000
180		0.1	30	0.796	120	6.9	6	B82432C1184+000
220	0.1	30	0.796	115	7.5	6	B82432C1224+000	
270	0.1	30	0.796	90	12.5	5	B82432C1274+000	
330	$\pm 10\% \triangleq K$	0.1	30	0.796	85	14.1	4.5	B82432C1334+000
390		0.1	30	0.796	80	15.3	4.2	B82432C1394+000
470		0.1	30	0.796	75	17.5	4.0	B82432C1474+000
560	$\pm 10\% \triangleq K$	0.1	30	0.796	70	23.0	3.5	B82432C1564+000
680		0.1	30	0.796	65	25.0	3.3	B82432C1684+000
820		0.1	30	0.796	60	28.0	3.0	B82432C1824+000
1000		0.1	30	0.796	55	32.0	2.8	B82432C1105+000

Closer tolerances on request.

Higher currents possible at temperatures $<T_R$ on request.

1) Replace the + by the code letter for the required inductance tolerance.

2) For Ni-barrier-plated terminals replace the last two digits "00" by "50".

SMD

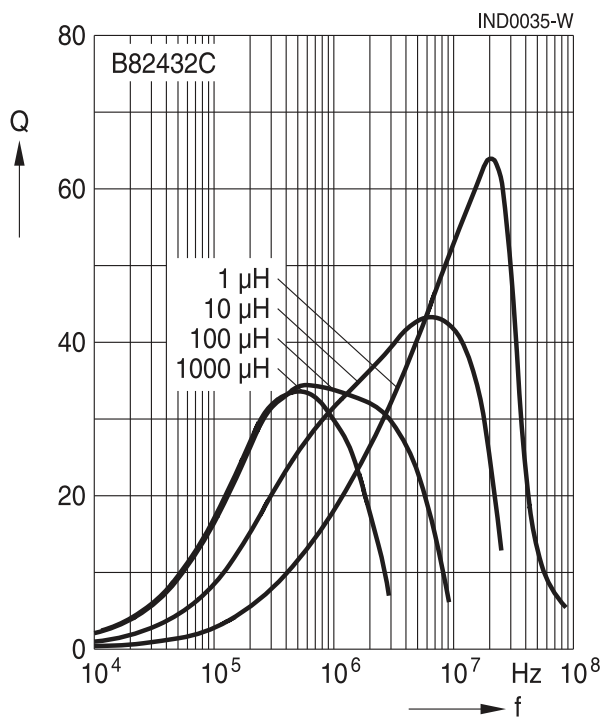
Impedance $|Z|$ versus frequency f
measured with impedance analyzer Agilent E4991A, typical values at +20 °C



Inductance L versus DC load current I_{DC}
measured with LCR meter Agilent 4285A, typical values at +20 °C



Q factor versus frequency f
measured with impedance analyzer Agilent 4294A, typical values at +20 °C



Current derating I_{op}/I_R versus ambient temperature T_A
(rated temperature $T_R = +85$ °C)



Cautions and warnings

- Please note the recommendations in our Inductors data book (latest edition) and in the data sheets.
 - Particular attention should be paid to the derating curves given there.
 - The soldering conditions should also be observed. Temperatures quoted in relation to wave soldering refer to the pin, not the housing.
- If the components are to be washed varnished it is necessary to check whether the washing varnish agent that is used has a negative effect on the wire insulation, any plastics that are used, or on glued joints. In particular, it is possible for washing varnish agent residues to have a negative effect in the long-term on wire insulation.
Washing processes may damage the product due to the possible static or cyclic mechanical loads (e.g. ultrasonic cleaning). They may cause cracks to develop on the product and its parts, which might lead to reduced reliability or lifetime.
- The following points must be observed if the components are potted in customer applications:
 - Many potting materials shrink as they harden. They therefore exert a pressure on the plastic housing or core. This pressure can have a deleterious effect on electrical properties, and in extreme cases can damage the core or plastic housing mechanically.
 - It is necessary to check whether the potting material used attacks or destroys the wire, wire insulation, plastics or glue.
 - The effect of the potting material can change the high-frequency behaviour of the components.
 - Many coating materials have a negative effect (chemically and mechanically) on the winding wires, insulation materials and connecting points. Customers are always obligated to determine whether and to what extent their coating materials influence the component.
Customers are responsible and bear all risk for the use of the coating material. TDK Electronics does not assume any liability for failures of our components that are caused by the coating material.
- Ferrites are sensitive to direct impact. This can cause the core material to flake, or lead to breakage of the core.
- Even for customer-specific products, conclusive validation of the component in the circuit can only be carried out by the customer.

Display of ordering codes for TDK Electronics products

The ordering code for one and the same product can be represented differently in data sheets, data books, other publications, on the company website, or in order-related documents such as shipping notes, order confirmations and product labels. **The varying representations of the ordering codes are due to different processes employed and do not affect the specifications of the respective products.** Detailed information can be found on the Internet under www.tdk-electronics.tdk.com/orderingcodes.

Important notes

The following applies to all products named in this publication:

1. Some parts of this publication contain **statements about the suitability of our products for certain areas of application**. These statements are based on our knowledge of typical requirements that are often placed on our products in the areas of application concerned. We nevertheless expressly point out **that such statements cannot be regarded as binding statements about the suitability of our products for a particular customer application**. As a rule, we are either unfamiliar with individual customer applications or less familiar with them than the customers themselves. For these reasons, it is always ultimately incumbent on the customer to check and decide whether a product with the properties described in the product specification is suitable for use in a particular customer application.
2. We also point out that **in individual cases, a malfunction of electronic components or failure before the end of their usual service life cannot be completely ruled out in the current state of the art, even if they are operated as specified**. In customer applications requiring a very high level of operational safety and especially in customer applications in which the malfunction or failure of an electronic component could endanger human life or health (e.g. in accident prevention or life-saving systems), it must therefore be ensured by means of suitable design of the customer application or other action taken by the customer (e.g. installation of protective circuitry or redundancy) that no injury or damage is sustained by third parties in the event of malfunction or failure of an electronic component.
3. **The warnings, cautions and product-specific notes must be observed.**
4. In order to satisfy certain technical requirements, **some of the products described in this publication may contain substances subject to restrictions in certain jurisdictions (e.g. because they are classed as hazardous)**. Useful information on this will be found in our Material Data Sheets on the Internet (www.tdk-electronics.tdk.com/material). Should you have any more detailed questions, please contact our sales offices.
5. We constantly strive to improve our products. Consequently, **the products described in this publication may change from time to time**. The same is true of the corresponding product specifications. Please check therefore to what extent product descriptions and specifications contained in this publication are still applicable before or when you place an order.
We also **reserve the right to discontinue production and delivery of products**. Consequently, we cannot guarantee that all products named in this publication will always be available. The aforementioned does not apply in the case of individual agreements deviating from the foregoing for customer-specific products.
6. Unless otherwise agreed in individual contracts, **all orders are subject to our General Terms and Conditions of Supply**.

Important notes

7. **Our manufacturing sites serving the automotive business apply the IATF 16949 standard.**
The IATF certifications confirm our compliance with requirements regarding the quality management system in the automotive industry. Referring to customer requirements and customer specific requirements (“CSR”) TDK always has and will continue to have the policy of respecting individual agreements. Even if IATF 16949 may appear to support the acceptance of unilateral requirements, we hereby like to emphasize that **only requirements mutually agreed upon can and will be implemented in our Quality Management System.** For clarification purposes we like to point out that obligations from IATF 16949 shall only become legally binding if individually agreed upon.
8. The trade names EPCOS, CeraCharge, CeraDiode, CeraLink, CeraPad, CeraPlas, CSMP, CTVS, DeltaCap, DigiSiMic, ExoCore, FilterCap, FormFit, LeaXield, MiniBlue, MiniCell, MKD, MKK, MotorCap, PCC, PhaseCap, PhaseCube, PhaseMod, PhiCap, PowerHap, PQSine, PQvar, SIFERRIT, SIFI, SIKOREL, SilverCap, SIMDAD, SiMic, SIMID, SineFormer, SIOV, ThermoFuse, WindCap are **trademarks registered or pending** in Europe and in other countries. Further information will be found on the Internet at www.tdk-electronics.tdk.com/trademarks.

Release 2018-10

Mouser Electronics

Authorized Distributor

Click to View Pricing, Inventory, Delivery & Lifecycle Information:

EPCOS / TDK:

[B82432C1473K000](#) [B82432C1104J000](#) [B82432C1105J000](#) [B82432C1122K000](#) [B82432C1123K000](#)
[B82432C1124J000](#) [B82432C1124K000](#) [B82432C1152K000](#) [B82432C1153K000](#) [B82432C1154J000](#)
[B82432C1154K000](#) [B82432C1182K000](#) [B82432C1183K000](#) [B82432C1184J000](#) [B82432C1184K000](#)
[B82432C1222K000](#) [B82432C1224J000](#) [B82432C1224K000](#) [B82432C1272K000](#) [B82432C1273K000](#)
[B82432C1274J000](#) [B82432C1274K000](#) [B82432C1332K000](#) [B82432C1333J000](#) [B82432C1333K000](#)
[B82432C1334J000](#) [B82432C1334K000](#) [B82432C1392K000](#) [B82432C1393J000](#) [B82432C1393K000](#)
[B82432C1394J000](#) [B82432C1394K000](#) [B82432C1472K000](#) [B82432C1473J000](#) [B82432C1474J000](#)
[B82432C1562K000](#) [B82432C1563J000](#) [B82432C1563K000](#) [B82432C1564J000](#) [B82432C1564K000](#)
[B82432C1682K000](#) [B82432C1683J000](#) [B82432C1683K000](#) [B82432C1684J000](#) [B82432C1684K000](#)
[B82432C1822K000](#) [B82432C1823J000](#) [B82432C1823K000](#) [B82432C1824J000](#) [B82432C1824K000](#)
[B82432C1103K000](#) [B82432C1223K000](#)



Компания «ЭлектроПласт» предлагает заключение долгосрочных отношений при поставках импортных электронных компонентов на взаимовыгодных условиях!

Наши преимущества:

- Оперативные поставки широкого спектра электронных компонентов отечественного и импортного производства напрямую от производителей и с крупнейших мировых складов;
- Поставка более 17-ти миллионов наименований электронных компонентов;
- Поставка сложных, дефицитных, либо снятых с производства позиций;
- Оперативные сроки поставки под заказ (от 5 рабочих дней);
- Экспресс доставка в любую точку России;
- Техническая поддержка проекта, помощь в подборе аналогов, поставка прототипов;
- Система менеджмента качества сертифицирована по Международному стандарту ISO 9001;
- Лицензия ФСБ на осуществление работ с использованием сведений, составляющих государственную тайну;
- Поставка специализированных компонентов (Xilinx, Altera, Analog Devices, Intersil, Interpoint, Microsemi, Aeroflex, Peregrine, Syfer, Eurofarad, Texas Instrument, Miteq, Cobham, E2V, MA-COM, Hittite, Mini-Circuits, General Dynamics и др.);

Помимо этого, одним из направлений компании «ЭлектроПласт» является направление «Источники питания». Мы предлагаем Вам помощь Конструкторского отдела:

- Подбор оптимального решения, техническое обоснование при выборе компонента;
- Подбор аналогов;
- Консультации по применению компонента;
- Поставка образцов и прототипов;
- Техническая поддержка проекта;
- Защита от снятия компонента с производства.



Как с нами связаться

Телефон: 8 (812) 309 58 32 (многоканальный)

Факс: 8 (812) 320-02-42

Электронная почта: org@eplast1.ru

Адрес: 198099, г. Санкт-Петербург, ул. Калинина, дом 2, корпус 4, литера А.