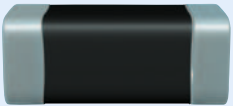


EPCOS Sample Kit 2012

SMD NTC Thermistors

for LED Applications



Why thermal sensing?

Today's LED system designers face the challenge of reducing costs whilst satisfying the increasing demands for high lumen efficiency and long lifetime requirements.

The efficiency of LEDs depends very much on the LED junction temperature. Temperature extremes must be avoided, as these lead to faster power degradation, flux reduction, color shift, shortened life time, and even fatal damage to the LED. For maximum efficiency, the LED temperature must be controlled at its specific optimum. The LED temperature is finally an essential indicator of lumen efficiency and the thermal sensor is a key component in the control circuit.

Benefits of thermal sensing with SMD NTC thermistors

SMD NTC thermistors can be used as an integral part of the LED module and can easily be integrated in the assembly process. Small size, good thermal contact to the PCB and negligible self warming make SMD NTC thermistors very sensitive and accurate sensors.

If an SMD NTC is integrated into an LED module, any deviation from the optimum operating temperature of the LED will cause a significant resistance change of the NTC. This will change the current flow through the SMD NTC thermistor and hence change the voltage drop across it. This change can be read by the comparator of the LED driver to adjust the LED driving current which will reduce the power dissipation in the LED increasing its' life-time.

Features

- Highly accurate temperature sensing with low resistance tolerance down to $\pm 1\%$
- High temperature capability up to $+125\text{ }^{\circ}\text{C}$ standard and $+150\text{ }^{\circ}\text{C}$ automotive
- Excellent long-term aging stability in high-temperature environments
- Nickel barrier termination and lead-free solderability
- Automotive product range AEC-Q200 qualified
- Resistance values $10\text{ k}\Omega$ up to $470\text{ k}\Omega$
- Small EIA case sizes 0402 and 0603
- PSpice library available



Important information: Some parts of this publication contain statements about the suitability of our products for certain areas of application. These statements are based on our knowledge of typical requirements that are often placed on our products. We expressly point out that these statements cannot be regarded as binding statements about the suitability of our products for a particular customer application. It is incumbent on the customer to check and decide whether a product is suitable for use in a particular application. This publication is only a brief product survey which may be changed from time to time. Our products are described in detail in our data sheets. The *Important notes* (www.epcos.com/ImportantNotes) and the product-specific *Cautions and warnings* must be observed. All relevant information is available through our sales offices.

Components



Automotive LED illumination (T_{op} -40 ... +150 °C)

| | | | | | | | | |
|---------------------|---------------------|---------------------|---------------------|---------------------|---------------------|---------------------|---------------------|---------------------|
| B57232 V5103F360 | B57251 V5103J060 | B57332 V5103F360 | B57332 V5103J360 | B57352 V5103J060 | B57352 V5223J060 | B57352 V5473J060 | B57352 V5104F360 | B57352 V5104J360 |
|---------------------|---------------------|---------------------|---------------------|---------------------|---------------------|---------------------|---------------------|---------------------|



General LED illumination (T_{op} -40 ... +125 °C)

| | | | | | | | | |
|---------------------|---------------------|---------------------|---------------------|--------------------|--------------------|--------------------|--------------------|--------------------|
| B57230 V2103F260 | B57261 V2223J060 | B57221 V2473J060 | B57330 V2103F260 | B57321 V2103J60 | B57371 V2223J60 | B57371 V2473J60 | B57374 V2104F60 | B57371 V2474J60 |
|---------------------|---------------------|---------------------|---------------------|--------------------|--------------------|--------------------|--------------------|--------------------|

Electrical specifications and ordering codes

| Temperature range (min/max) [°C] | R ₂₅ [kΩ] | ΔR _R % | B _{25/50} [K] | B _{25/85} [K] | B _{25/100} [K] | Ordering code |
|---|----------------------|-------------------|------------------------|------------------------|-------------------------|-----------------|
| EIA case size 0402 – automotive LED illumination | | | | | | |
| -40 ... + 150 | 10 | ±1 | 3380 | 3435 | 3455 ±1% | B57232V5103F360 |
| -40 ... + 150 | 10 | ±5 | 3380 | 3435 | 3455 ±1% | B57232V5103J360 |
| -40 ... + 150 | 10 | ±5 | 3940 | 3980 | 4000 ±3% | B57251V5103J060 |
| EIA case size 0603 – automotive LED illumination | | | | | | |
| -40 ... + 150 | 10 | ±1 | 3380 | 3435 | 3455 ±1% | B57332V5103F360 |
| -40 ... + 150 | 10 | ±5 | 3380 | 3435 | 3455 ±1% | B57332V5103J360 |
| -40 ... + 150 | 10 | ±3 | 4386 | 4455 | 4480 ±3% | B57352V5103H060 |
| -40 ... + 150 | 10 | ±5 | 4386 | 4455 | 4480 ±3% | B57352V5103J060 |
| -40 ... + 150 | 22 | ±3 | 4386 | 4455 | 4480 ±3% | B57352V5223H060 |
| -40 ... + 150 | 22 | ±5 | 4386 | 4455 | 4480 ±3% | B57352V5223J060 |
| -40 ... + 150 | 47 | ±3 | 4386 | 4455 | 4480 ±3% | B57352V5473H060 |
| -40 ... + 150 | 47 | ±5 | 4386 | 4455 | 4480 ±3% | B57352V5473J060 |
| -40 ... + 150 | 100 | ±1 | 4386 | 4455 | 4480 ±1% | B57352V5104F360 |
| -40 ... + 150 | 100 | ±5 | 4386 | 4455 | 4480 ±1% | B57352V5104J360 |
| EIA case size 0402 – general LED illumination | | | | | | |
| -40 ... + 125 | 10 | ±1 | 3380 | 3435 | 3455 ±1% | B57230V2103F260 |
| -40 ... + 125 | 10 | ±5 | 3380 | 3435 | 3455 ±1% | B57230V2103J260 |
| -40 ... + 125 | 10 | ±5 | 3940 | 3980 | 4000 ±3% | B57221V2103J060 |
| -40 ... + 125 | 22 | ±5 | 4473 | 4548 | 4575 ±3% | B57261V2223J060 |
| -40 ... + 125 | 47 | ±5 | 3940 | 3980 | 4000 ±3% | B57221V2473J060 |
| EIA case size 0603 – general LED illumination | | | | | | |
| -40 ... + 125 | 10 | ±1 | 3380 | 3435 | 3455 ±1% | B57330V2103F260 |
| -40 ... + 125 | 10 | ±5 | 3380 | 3435 | 3455 ±1% | B57330V2103J260 |
| -40 ... + 125 | 10 | ±3 | 3940 | 3980 | 4000 ±3% | B57321V2103H060 |
| -40 ... + 125 | 10 | ±5 | 3940 | 3980 | 4000 ±3% | B57321V2103J060 |
| -40 ... + 125 | 22 | ±3 | 4386 | 4455 | 4480 ±3% | B57371V2223H060 |
| -40 ... + 125 | 22 | ±5 | 4386 | 4455 | 4480 ±3% | B57371V2223J060 |
| -40 ... + 125 | 47 | ±3 | 4386 | 4455 | 4480 ±3% | B57371V2473H060 |
| -40 ... + 125 | 47 | ±5 | 4386 | 4455 | 4480 ±3% | B57371V2473J060 |
| -40 ... + 125 | 100 | ±1 | 4386 | 4455 | 4480 ±1% | B57374V2104F060 |
| -40 ... + 125 | 100 | ±5 | 4386 | 4455 | 4480 ±1% | B57374V2104J060 |
| -40 ... + 125 | 470 | ±3 | 4386 | 4455 | 4480 ±3% | B57371V2474H060 |
| -40 ... + 125 | 470 | ±5 | 4386 | 4455 | 4480 ±3% | B57371V2474J060 |

The table is a selection of recommended types.

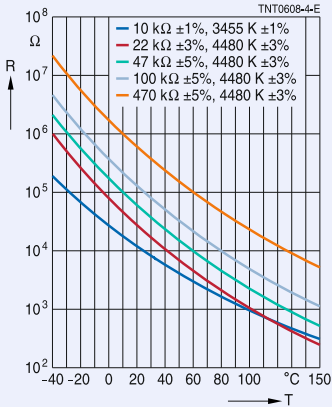
Special tolerances at selected working temperature can be offered upon request.

See enclosed CD-ROM for data sheets and further details.

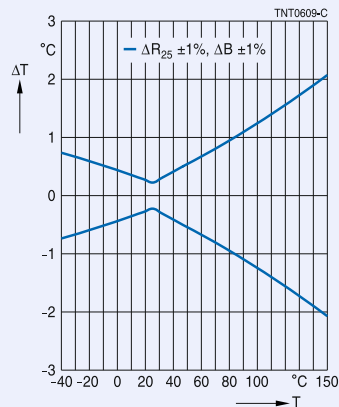
Application examples for SMD NTC thermistors

Characteristics

R (T) characteristics



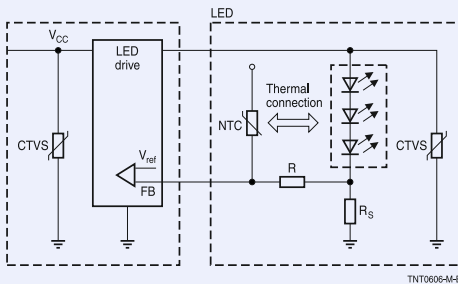
Temperature sensing accuracy



A web-based R/T curve calculation tool is available at <http://www.epcos.com/designtools/ntc/index.html>

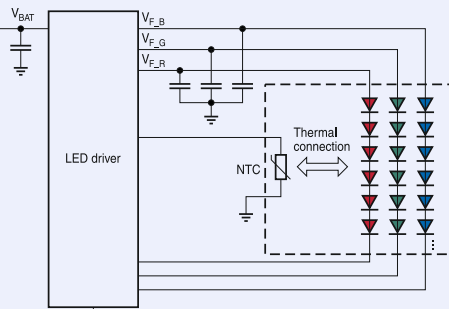
Application examples

Simplified circuit example: LED module



- LED modules for indoor and outdoor illumination
- LED retrofit bulbs and tubes
- LED for consumer and entertainment applications
- LED automotive lighting
- LED industrial applications

Simplified circuit example: RGB backlight



CTVS is a ceramic transient voltage suppressor for the ESD protection of LEDs. More information about CTVS for LED applications is available upon request.



Компания «ЭлектроПласт» предлагает заключение долгосрочных отношений при поставках импортных электронных компонентов на взаимовыгодных условиях!

Наши преимущества:

- Оперативные поставки широкого спектра электронных компонентов отечественного и импортного производства напрямую от производителей и с крупнейших мировых складов;
- Поставка более 17-ти миллионов наименований электронных компонентов;
- Поставка сложных, дефицитных, либо снятых с производства позиций;
- Оперативные сроки поставки под заказ (от 5 рабочих дней);
- Экспресс доставка в любую точку России;
- Техническая поддержка проекта, помощь в подборе аналогов, поставка прототипов;
- Система менеджмента качества сертифицирована по Международному стандарту ISO 9001;
- Лицензия ФСБ на осуществление работ с использованием сведений, составляющих государственную тайну;
- Поставка специализированных компонентов (Xilinx, Altera, Analog Devices, Intersil, Interpoint, Microsemi, Aeroflex, Peregrine, Syfer, Eurofarad, Texas Instrument, Miteq, Cobham, E2V, MA-COM, Hittite, Mini-Circuits, General Dynamics и др.);

Помимо этого, одним из направлений компании «ЭлектроПласт» является направление «Источники питания». Мы предлагаем Вам помощь Конструкторского отдела:

- Подбор оптимального решения, техническое обоснование при выборе компонента;
- Подбор аналогов;
- Консультации по применению компонента;
- Поставка образцов и прототипов;
- Техническая поддержка проекта;
- Защита от снятия компонента с производства.



Как с нами связаться

Телефон: 8 (812) 309 58 32 (многоканальный)

Факс: 8 (812) 320-02-42

Электронная почта: org@eplast1.ru

Адрес: 198099, г. Санкт-Петербург, ул. Калинина, дом 2, корпус 4, литера А.