

10–810 MHz I²C Programmable XO/VCXO

Features

- I²C programmable output frequencies from 10 to 810 MHz
- 0.5 ps RMS phase jitter
- Superior power supply rejection: 0.3–0.4 ps additive jitter
- Available LVPECL, CMOS, LVDS, and CML outputs
- 1.8, 2.5, or 3.3 V supply
- Pin- and register-compatible with Si570/571
- Programmable with 28 parts per trillion frequency resolution
- Integrated crystal provides stability and low phase noise
- Frequency changes up to ±3500 ppm are glitchless
- –40 to 85 °C operation
- Industry-standard 5x7 mm package

Applications

- SONET / SDH / xDSL
- Ethernet / Fibre Channel
- 3G SDI / HD SDI
- Multi-rate PLLs
- Multi-rate reference clocks
- Frequency margining
- Digital PLLs
- CPU / FPGA FIFO control
- Adaptive synchronization
- Agile RF local oscillators

Description

The Si598 XO/Si599 VCXO utilizes Silicon Laboratories' advanced DSPLL[®] circuitry to provide a low-jitter clock at any frequency. They are user-programmable to any output frequency from 10 to 810 MHz with 28 parts per trillion (PPT) resolution. The device is programmed via a 2-pin I²C compatible serial interface. The wide frequency range and ultra-fine programming resolution make these devices ideal for applications that require in-circuit dynamic frequency adjustments or multi-rate operation with non-integer related rates. Using an integrated crystal, these devices provide stable low jitter frequency synthesis and replace multiple XOs, clock generators, and DAC controlled VCXOs.

Functional Block Diagram

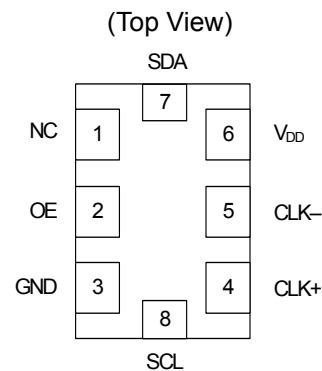


Ordering Information:

See page 21.

Pin Assignments:

See page 20.



Si598



Si599

TABLE OF CONTENTS

| <u>Section</u> | <u>Page</u> |
|--|--------------------|
| 1. Detailed Block Diagrams | 3 |
| 2. Electrical Specifications | 4 |
| 3. Functional Description | 11 |
| 3.1. Programming a New Output Frequency | 11 |
| 3.2. I ² C Interface | 13 |
| 4. Serial Port Registers | 14 |
| 5. Si598 (XO) Pin Descriptions | 19 |
| 6. Si599 (VCXO) Pin Descriptions | 20 |
| 7. Ordering Information | 21 |
| 8. Si59x Mark Specification | 23 |
| 9. Outline Diagram and Suggested Pad Layout | 24 |
| 10. 8-Pin PCB Land Pattern | 25 |
| Revision History | 26 |

1. Detailed Block Diagrams



Figure 1. Si598 Detailed Block Diagram



Figure 2. Si599 Detailed Block Diagram

2. Electrical Specifications

Table 1. Recommended Operating Conditions

| Parameter | Symbol | Test Condition | Min | Typ | Max | Units |
|---|-----------------|-----------------|------------------------|-----|------|-------|
| Supply Voltage ¹ | V _{DD} | 3.3 V option | 2.97 | 3.3 | 3.63 | V |
| | | 2.5 V option | 2.25 | 2.5 | 2.75 | V |
| | | 1.8 V option | 1.71 | 1.8 | 1.89 | V |
| Supply Current | I _{DD} | Output enabled | | | | |
| | | LVPECL | — | 120 | 130 | mA |
| | | CML | — | 108 | 120 | mA |
| | | LVDS | — | 99 | 110 | mA |
| | | CMOS | — | 90 | 100 | mA |
| Tristate mode | — | 60 | 75 | mA | | |
| Output Enable (OE) ² , Serial Data (SDA), Serial Clock (SCL) | | V _{IH} | 0.75 x V _{DD} | — | — | V |
| | | V _{IL} | — | — | 0.5 | V |
| Operating Temperature Range | T _A | | −40 | — | 85 | °C |

Notes:

- Selectable parameter specified by part number. See Section 7. Ordering Information on page 21 for further details.
- OE pin includes a 17 kΩ pullup resistor to V_{DD} for OE Active High Option. OE pin includes 17 kΩ pull down for OE Active Low. See Section “7.Ordering Information”.

Table 2. V_C Control Voltage Input (Si599)

(Typical values TA = 25 °C, V_{DD} = 3.3 V, min/max limits V_{DD} = 1.8 ±5%, 2.5 or 3.3 V ±10%, TA = −40 to 85 °C unless otherwise noted)

| Parameter | Symbol | Test Condition | Min | Typ | Max | Units |
|---|-------------------|------------------------------|-----|--------------------|-----------------|-------|
| Control Voltage Tuning Slope ^{1,2,3} | K _V | 10 to 90% of V _{DD} | — | 45 | — | ppm/V |
| | | | — | 95 | — | ppm/V |
| | | | — | 125 | — | ppm/V |
| | | | — | 185 | — | ppm/V |
| | | | — | 380 | — | ppm/V |
| Control Voltage Linearity ⁴ | L _{VC} | BSL | −5 | ±1 | +5 | % |
| | | Incremental | −10 | ±5 | +10 | % |
| Modulation Bandwidth | BW | | 9.3 | 10.0 | 10.7 | kHz |
| V _C Input Impedance | Z _{VC} | | 500 | — | — | kΩ |
| V _C Input Capacitance | C _{VC} | | — | 50 | — | pF |
| Nominal Control Voltage | V _{CNOM} | @ f _O | — | V _{DD} /2 | — | V |
| Control Voltage Tuning Range | V _C | | 0 | — | V _{DD} | V |

Notes:

- Positive slope; selectable option by part number. See 7. Ordering Information on page 21.
- For best jitter and phase noise performance, always choose the smallest K_V that meets the application’s minimum APR requirements. See “AN266: VCXO Tuning Slope (K_V), Stability, and Absolute Pull Range (APR)” for more information.
- K_V variation is ±10% of typical values.
- BSL determined from deviation from best straight line fit with V_C ranging from 10 to 90% of V_{DD}. Incremental slope determined with V_C ranging from 10 to 90% of V_{DD}.

Table 3. CLK± Output Frequency Characteristics

(Typical values $T_A = 25\text{ }^\circ\text{C}$, $V_{DD} = 3.3\text{ V}$, min/max limits $V_{DD} = 1.8 \pm 5\%$, $2.5\text{ or }3.3\text{ V} \pm 10\%$, $T_A = -40\text{ to }85\text{ }^\circ\text{C}$ unless otherwise noted)

| Parameter | Symbol | Test Condition | Min | Typ | Max | Units |
|---|-----------|---|------------|--------|------------|-------|
| Programmable Frequency Range ^{1,2,3} | f_O | LVPECL/LVDS/CML | 10 | — | 810 | MHz |
| | | CMOS | 10 | — | 160 | MHz |
| Total Stability (Si598) ^{1,2,4,5} | | Temp stability = $\pm 20\text{ ppm}$ | — | — | ± 30 | ppm |
| | | Temp stability = $\pm 25\text{ ppm}$ | — | — | ± 50 | ppm |
| | | Temp stability = $\pm 50\text{ ppm}$ | — | — | ± 100 | ppm |
| Temperature Stability (Si599) ^{1,5} | | $T_A = -40\text{ to }+85\text{ }^\circ\text{C}$ | -20 -50 | — — | +20 +50 | ppm |
| Absolute Pull Range ^{1,5} (Si599) | APR | | ± 10 | — | ± 370 | ppm |
| Powerup Time ⁶ | t_{OSC} | | — | — | 10 | ms |

Notes:

- See Section 7. Ordering Information on page 21 for further details.
- Specified at time of order by part number. Three frequency grades are available:
Grade A covers 10 to 810 MHz.
Grade B covers 10 to 280 MHz.
Grade C covers 10 to 160 MHz.
- Nominal output frequency set by $V_{CNOM} = 1/2 \times V_{DD}$.
- Includes initial accuracy, temperature drift, shock, vibration, power supply and load drift. $\pm 100\text{ ppm}$ and $\pm 50\text{ ppm}$ options include 15 years aging at $70\text{ }^\circ\text{C}$. $\pm 30\text{ ppm}$ option includes 10 years aging at $40\text{ }^\circ\text{C}$.
- Selectable parameter specified by part number. See 7. Ordering Information on page 21.
- Time from power up or tristate mode to f_O .

Table 4. CLK± Output Levels and Symmetry

(Typical values TA = 25 °C, V_{DD} = 3.3 V, min/max limits V_{DD} = 1.8 ±5%, 2.5 or 3.3 V ±10%, TA = -40 to 85 °C unless otherwise noted)

| Parameter | Symbol | Test Condition | Min | Typ | Max | Units |
|-----------------------------------|---------------------------------|---|------------------------|------------------------|------------------------|-----------------|
| LVPECL Output Option ¹ | V _O | mid-level | V _{DD} - 1.42 | — | V _{DD} - 1.25 | V |
| | V _{OD} | swing (diff) | 1.1 | — | 1.9 | V _{PP} |
| | V _{SE} | swing (single-ended) | 0.55 | — | 0.95 | V _{PP} |
| LVDS Output Option ² | V _O | mid-level | 1.125 | 1.20 | 1.275 | V |
| | V _{OD} | swing (diff) | 0.5 | 0.7 | 0.9 | V _{PP} |
| CML Output Option ² | V _O | 2.5/3.3 V option mid-level | — | V _{DD} - 1.30 | — | V |
| | | 1.8 V option mid-level | — | V _{DD} - 0.36 | — | V |
| | V _{OD} | 2.5/3.3 V option swing (diff) | 1.10 | 1.50 | 1.90 | V _{PP} |
| | | 1.8 V option swing (diff) | 0.35 | 0.425 | 0.50 | V _{PP} |
| CMOS Output Option ³ | V _{OH} | I _{OH} = 32 mA | 0.8 x V _{DD} | — | V _{DD} | V |
| | V _{OL} | I _{OL} = 32 mA | — | — | 0.4 | V |
| Rise/Fall Time (20/80 %) | t _R , t _F | LVPECL/LVDS/CML | — | — | 350 | ps |
| | | CMOS with C _L = 15 pF | — | 1 | — | ns |
| Symmetry (duty cycle) | SYM | LVPECL: V _{DD} - 1.3 V (diff) LVDS: 1.25 V (diff) CMOS: V _{DD} /2 | 48 | — | 52 | % |

Notes:

1. 50 Ω to V_{DD} - 2.0 V.
2. R_{term} = 100 Ω (differential).
3. C_L = 15 pF sinking or sourcing 12 mA for V_{DD} = 3.3 V, 6 mA for V_{DD} = 2.5 V, 3 mA for V_{DD} = 1.8 V.

Table 5. CLK± Output Phase Jitter (Si598)

(Typical values TA = 25 °C, V_{DD} = 3.3 V, min/max limits VDD = 1.8 ±5%, 2.5 or 3.3 V ±10%, TA = -40 to 85 °C unless otherwise noted)

| Parameter | Symbol | Test Condition | Min | Typ | Max | Units | |
|---|------------------------------|------------------------------|------------------------------|-----|-----|-------|----|
| Phase Jitter (RMS Random) 12 kHz to 20 MHz Integration Bandwidth | $\phi_{J-RANDOM}$ | LVPECL/LVDS/CML ¹ | — | 0.5 | — | ps | |
| | | CMOS 3.3 V ² | — | 0.6 | — | ps | |
| Phase Jitter (RMS Random) 1.875 to 20 MHz Integration Bandwidth | | LVPECL/LVDS/CML ¹ | — | 0.3 | — | ps | |
| | | CMOS 3.3 V ² | — | 0.5 | — | ps | |
| Phase Jitter (RMS) 12 kHz to 20 MHz Integration Bandwidth | | ϕ_J | LVPECL/LVDS/CML ¹ | — | 0.5 | 1 | ps |
| | | | CMOS 3.3 V ² | — | 0.6 | 1 | ps |
| Phase Jitter (RMS) 1.875 to 20 MHz Integration Bandwidth | LVPECL/LVDS/CML ¹ | | — | 0.5 | — | ps | |
| | CMOS 3.3 V ² | | — | 0.5 | — | ps | |

Notes:

1. 50 to 810 MHz, 3.3 V/2.5 V only.
2. 50 to 160 MHz, single-ended CMOS output phase jitter measured using 33 Ω series termination into 50 Ω phase noise test equipment. 3.3 V supply voltage option only.

Table 6. CLK± Output Phase Jitter (Si599)

(Typical values TA = 25 °C, V_{DD} = 3.3 V, min/max limits VDD = 1.8 ±5%, 2.5 or 3.3 V ±10%, TA = -40 to 85 °C unless otherwise noted)

| Parameter | Symbol | Test Condition | Min | Typ | Max | Units |
|---|----------|------------------------------------|-----|-----|-----|-------|
| Phase Jitter (RMS) ^{1,2} for F _{OUT} of 50 MHz ≤ F _{OUT} 810 MHz | ϕ_J | Kv = 45 ppm/V 12 kHz to 20 MHz | — | 0.5 | — | ps |
| | | Kv = 95 ppm/V 12 kHz to 20 MHz | — | 0.5 | — | ps |
| | | Kv = 125 ppm/V 12 kHz to 20 MHz | — | 0.5 | — | ps |
| | | Kv = 185 ppm/V 12 kHz to 20 MHz | — | 0.5 | — | ps |
| | | Kv = 380 ppm/V 12 kHz to 20 MHz | — | 0.7 | — | ps |

Notes:

1. Differential Modes: LVPECL/LVDS/CML.
2. For best jitter and phase noise performance, always choose the smallest K_V that meets the application's minimum APR requirements. See "AN266: VCXO Tuning Slope (K_V), Stability, and Absolute Pull Range (APR)" for more information.

Si598/Si599

Table 7. CLK± Output Period Jitter

(Typical values TA = 25 °C, VDD = 3.3 V unless otherwise noted)

| Parameter | Symbol | Test Condition | Min | Typ | Max | Units |
|----------------|------------------|----------------|-----|-----|-----|-------|
| Period Jitter* | J _{PER} | RMS | — | 3 | — | ps |
| | | Peak-to-Peak | — | 35 | — | ps |

***Note:** Any output mode, including CMOS, LVPECL, LVDS, CML. N = 1000 cycles.

Table 8. CLK± Output Phase Noise (Typical, Si599)

(Typical values TA = 25 °C, VDD = 3.3 V)

| Offset Frequency | 74.25 MHz 185 ppm/V LVPECL | 148.5 MHz 185 ppm/V LVPECL | 155.52 MHz 95 ppm/V LVPECL | Units |
|------------------|----------------------------------|----------------------------------|----------------------------------|--------|
| 100 Hz | -77 | -68 | -77 | dBc/Hz |
| 1 kHz | -101 | -95 | -101 | dBc/Hz |
| 10 kHz | -121 | -116 | -119 | dBc/Hz |
| 100 kHz | -134 | -128 | -127 | dBc/Hz |
| 1 MHz | -149 | -144 | -144 | dBc/Hz |
| 10 MHz | -151 | -147 | -147 | dBc/Hz |
| 20 MHz | -150 | -148 | -148 | dBc/Hz |

Table 9. Power Supply Noise Rejection

(Typical values TA = 25 °C, VDD = 3.3 V)

| Parameter | Symbol | Test Condition | Min | Typ | Max | Units |
|--|-------------------|----------------|-----|------|-----|-------|
| RMS Additive Jitter due to Power Supply Noise* | Φ _{PSRR} | 100 kHz | — | 0.32 | — | ps |
| | | 300 kHz | — | 0.36 | — | ps |
| | | 700 kHz | — | 0.36 | — | ps |
| | | 1 MHz | — | 0.32 | — | ps |

***Note:** Measured with 100 mVp-p sinusoid applied to power supply pin. VDD = 3.3 V, LVPECL.

Table 10. Spurious Performance

(Typical values TA = 25 °C, VDD = 3.3 V)

| Parameter | Symbol | Test Condition | Min | Typ | Max | Units |
|-----------------------------|--------|--------------------------------|-----|-----|-----|-------|
| Spurious Free Dynamic Range | SFDR | LVPECL, LVDS, CML ¹ | — | 75 | — | dB |
| | | LVPECL, LVDS, CML ² | — | 64 | — | dB |
| | | CMOS ¹ | — | 77 | — | dB |

Notes:
 1. 10 to 160 MHz.
 2. 10 to 810 MHz.

Table 11. Environmental Compliance

The Si598/599 meets the following qualification test requirements.

| Parameter | Conditions/Test Method |
|----------------------------|--------------------------|
| Mechanical Shock | MIL-STD-883, Method 2002 |
| Mechanical Vibration | MIL-STD-883, Method 2007 |
| Solderability | MIL-STD-883, Method 2003 |
| Gross & Fine Leak | MIL-STD-883, Method 1014 |
| Resistance to Solder Heat | MIL-STD-883, Method 2036 |
| Moisture Sensitivity Level | J-STD-020, MSL1 |
| Contact Pads | Gold over Nickel |

Table 12. Programming Constraints and Timing

(Typical values TA = 25 °C, VDD = 3.3 V, min/max limits VDD = 1.8 ±5%, 2.5 or 3.3 V ±10%, TA = -40 to 85 °C unless otherwise noted)

| Parameter | Symbol | Test Condition | Min | Typ | Max | Unit |
|--|-------------------|--|-------|-------|-------|------|
| Output Frequency Range | CKO _F | | 10 | — | 810 | MHz |
| Frequency Reprogramming Resolution | M _{RES} | | — | 28 | — | ppt |
| Internal Oscillator Frequency | f _{OSC} | | 4850 | — | 5670 | MHz |
| Internal Crystal Frequency Accuracy | f _{XTAL} | Maximum variation is ±2000 ppm | — | 39.17 | — | MHz |
| Delta Frequency for Continuous Output | | From center frequency | -3500 | — | +3500 | ppm |
| Unfreeze to NewFreq Timeout* | | | | | 10 | ms |
| Settling Time for Small Frequency Change | | <±3500 ppm from center frequency | — | — | 100 | µs |
| Settling Time for Large Frequency Change | | >±3500 ppm from center frequency after setting NewFreq bit | — | — | 10 | ms |

***Note:** Applies when using large frequency change procedure outlined in section “3.1.2.Reconfiguring the Output Clock for Large Changes in Output Frequency”.

Si598/Si599

Table 13. Thermal Characteristics

(Typical values $T_A = 25\text{ }^\circ\text{C}$, $V_{DD} = 3.3\text{ V}$)

| Parameter | Symbol | Test Condition | Min | Typ | Max | Unit |
|--|---------------|----------------|-----|------|-----|--------------------|
| Thermal Resistance Junction to Ambient | θ_{JA} | Still Air | — | 84.6 | — | $^\circ\text{C/W}$ |
| Thermal Resistance Junction to Case | θ_{JC} | Still Air | — | 38.8 | — | $^\circ\text{C/W}$ |
| Ambient Temperature | T_A | | -40 | — | 85 | $^\circ\text{C}$ |
| Junction Temperature | T_J | | — | — | 125 | $^\circ\text{C}$ |

Table 14. Absolute Maximum Ratings

| Parameter | Symbol | Rating | Units |
|---|------------|------------------------|------------------|
| Supply Voltage, 1.8 V Option | V_{DD} | -0.5 to +1.9 | V |
| Supply Voltage, 2.5/3.3 V Option | V_{DD} | -0.5 to +3.8 | V |
| Input Voltage | V_I | -0.5 to $V_{DD} + 0.3$ | V |
| Storage Temperature | T_S | -55 to +125 | $^\circ\text{C}$ |
| ESD Sensitivity (HBM, per JEDEC22-A114) | ESD | 2000 | V |
| Soldering Temperature (lead-free profile) | T_{PEAK} | 260 | $^\circ\text{C}$ |
| Soldering Temperature Time @ T_{PEAK} (lead-free profile) | t_p | 20–40 | seconds |

Notes:

1. Stresses beyond the absolute maximum ratings may cause permanent damage to the device. Functional operation or specification compliance is not implied at these conditions.
2. The device is compliant with JEDEC J-STD-020C. Refer to Si5xx Packaging FAQ available for download at www.silabs.com/VCXO for further information, including soldering profiles.

3. Functional Description

The Si598 XO and the Si599 VCXO are low-jitter oscillators ideally suited for applications requiring programmable frequencies. The Si59x can be programmed to generate any output clock in the range of 10 to 810 MHz with frequency resolution of 30 parts per trillion. Output jitter performance exceeds the strict requirements of high-speed communication systems including OC-48/STM-16, 3G SDI, and Gigabit Ethernet.

The Si59x consists of a digitally-controlled oscillator (DCO) based on Silicon Laboratories' third-generation DSPLL technology, which is driven by an internal fixed-frequency crystal reference.

The device's default output frequency is set at the factory and can be reprogrammed through the two-wire I²C serial port. Once the device is powered down, it will return to its factory-set default output frequency.

The Si599 has a pullable output frequency using the voltage control input pin. This makes the Si599 an ideal choice for high-performance, low-jitter, phase-locked loops. The Si598 is digitally pullable using the I²C interface and is ideal for digital PLL applications.

3.1. Programming a New Output Frequency

The output frequency (f_{out}) is determined by programming the DCO frequency (f_{DCO}) and the device's output dividers (HS_DIV, N1). The output frequency is calculated using the following equation:

$$f_{out} = \frac{f_{DCO}}{\text{Output Dividers}} = \frac{f_{XTAL} \times \text{RFREQ}}{\text{HSDIV} \times \text{N1}}$$

The DCO frequency is adjustable in the range of 4.85 to 5.67 GHz by setting the high-resolution 38-bit fractional multiplier (RFREQ). The DCO frequency is the product of the internal fixed-frequency crystal (f_{XTAL}) and RFREQ.

The 38-bit resolution of RFREQ allows the DCO frequency to have a programmable frequency resolution of 28 ppt.

As shown in Figure 3, the device allows reprogramming of the DCO frequency up to ± 3500 ppm from the center frequency configuration without interruption to the output clock. Changes greater than the ± 3500 ppm window will cause the device to recalibrate its internal tuning circuitry, forcing the output clock to momentarily stop and start at any arbitrary point during a clock cycle. This re-calibration process establishes a new center frequency and can take up to 10 ms. Circuitry receiving a clock from the Si59x device that is sensitive to glitches or runt pulses may have to be reset once the recalibration process is complete.

3.1.1. Reconfiguring the Output Clock for a Small Change in Frequency

For output changes less than ± 3500 ppm from the center frequency configuration, the DCO frequency is the only value that needs reprogramming. Since $f_{DCO} = f_{XTAL} \times \text{RFREQ}$, and that f_{XTAL} is fixed, changing the DCO frequency is as simple as reconfiguring the RFREQ value as outlined below:

1. Using the serial port, read the current RFREQ value (registers 0x08–0x12).
2. Calculate the new value of RFREQ given the change in frequency.

$$\text{RFREQ}_{new} = \text{RFREQ}_{current} \times \frac{f_{out_new}}{f_{out_current}}$$

3. Using the serial port, write the new RFREQ value (registers 0x08–0x12). Multi-byte changes to RFREQ can freeze the DCO to avoid unintended RFREQ values.

Example:

An Si598 generating a 148.35 MHz clock must be reconfigured "on-the-fly" to generate a 148.5 MHz clock. This represents a change of +1011.122 ppm, which is well within the ± 3500 ppm window.



Figure 3. DCO Frequency Range

A typical frequency configuration for this example:

$$\text{RFREQ}_{\text{current}} = 0x8858199E9$$

$$F_{\text{out_current}} = 148.35 \text{ MHz}$$

$$F_{\text{out_new}} = 148.50 \text{ MHz}$$

Calculate $\text{RFREQ}_{\text{new}}$ to change the output frequency from 148.35 to 148.5 MHz:

$$\begin{aligned} \text{RFREQ}_{\text{new}} &= 0x8858199E9 \times \frac{148.50 \text{ MHz}}{148.35 \text{ MHz}} \\ &= 0x887B6473C \end{aligned}$$

Note that performing calculations with RFREQ requires a minimum of 38-bit arithmetic precision.

Relatively small changes in output frequency may require writing more than one RFREQ register. Such multi-register RFREQ writes can impact the output clock frequency on a register-by-register basis during updating.

Interim changes to the output clock during RFREQ writes can be prevented by using the following procedure:

1. Freeze the "M" value (Set Register 135 bit 5 = 1)
2. Write the new frequency configuration (RFREQ)
3. Unfreeze the "M" value (Set Register 135 bit 5 = 0)

3.1.2. Reconfiguring the Output Clock for Large Changes in Output Frequency

For output frequency changes outside of ± 3500 ppm from the center frequency, it is likely that both the DCO frequency and the output dividers need to be reprogrammed. Note that changing the DCO frequency outside of the ± 3500 ppm window will cause the output to momentarily stop and restart at any arbitrary point in a clock cycle. Devices sensitive to glitches or runt pulses may have to be reset once reconfiguration is complete.

The process for reconfiguring the output frequency outside of a ± 3500 ppm window is shown below:

1. Using the serial port, read the current values for RFREQ, HSDIV, and N1.
2. Calculate f_{XTAL} for the device. Note that because of slight variations of the internal crystal frequency from one device to another, each device may have a different RFREQ value or possibly even different HSDIV or N1 values to maintain the same output frequency. It is necessary to calculate f_{XTAL} for each device.

$$f_{\text{XTAL}} = \frac{F_{\text{out}} \times \text{HSDIV} \times \text{N1}}{\text{RFREQ}}$$

Once f_{XTAL} has been determined, new values for

RFREQ, HSDIV, and N1 are calculated to generate a new output frequency ($f_{\text{out_new}}$). New values can be calculated manually or with the Si59x-EVB software, which provides a user-friendly application to help find the optimum values.

The first step in manually calculating the frequency configuration is to determine new frequency divider values (HSDIV, N1). Given the desired output frequency ($f_{\text{out_new}}$), find the frequency divider values that will keep the DCO oscillation frequency in the range of 4.85 to 5.67 GHz.

$$f_{\text{DCO_new}} = f_{\text{out_new}} \times \text{HSDIV}_{\text{new}} \times \text{N1}_{\text{new}}$$

Valid values of HSDIV are 9 or 11. N1 can be selected as 1 or any even number up to 128 (i.e., 1, 2, 4, 6, 8, 10 ... 128). To help minimize the device's power consumption, the divider values should be selected to keep the DCO's oscillation frequency as low as possible. The lowest value of N1 with the highest value of HS_DIV also results in the best power savings.

Once HS_DIV and N1 have been determined, the next step is to calculate the reference frequency multiplier (RFREQ).

$$\text{RFREQ}_{\text{new}} = \frac{f_{\text{DCO_new}}}{f_{\text{XTAL}}}$$

RFREQ is programmable as a 38-bit binary fractional frequency multiplier with the first 10 most significant bits (MSBs) representing the integer portion of the multiplier and the 28 least significant bits (LSBs) representing the fractional portion.

Before entering a fractional number into the RFREQ register, it must be converted to a 38-bit integer using a bitwise left shift operation by 28 bits, which effectively multiplies RFREQ by 2^{28} .

Example:

$$\text{RFREQ} = 136.3441409d$$

$$\text{Multiply RFREQ by } 2^{28} = 36599601635.42d$$

$$\text{Discard the fractional portion} = 36599601635d$$

$$\text{Convert to hexadecimal} = 0x8858199E9$$

Once the new values for RFREQ, HSDIV, and N1 are determined, they can be written directly into the device from the serial port using the following procedure:

1. Freeze the DCO (bit 4 of Register 137)
2. Write the new frequency configuration (RFREQ, HS_DIV, N1)

Si598/Si599

3. Unfreeze the DCO and assert the NewFreq bit (bit 6 of Register 135) within the maximum Unfreeze to NewFreq Timeout in Table 12, “Programming Constraints and Timing,” on page 9.

The process of freezing and unfreezing the DCO will cause the output clock to momentarily stop and start at any arbitrary point during a clock cycle. This process can take up to 10 ms. Circuitry that is sensitive to glitches or runt pulses may have to be reset after the new frequency configuration is written.

Example:

An Si598 generating 156.25 MHz must be re-configured to generate a 161.1328125 MHz clock (156.25 MHz x 66/64). This frequency change is greater than ±3500 ppm.

$$f_{out} = 156.25 \text{ MHz}$$

Read the current values for RFREQ, HS_DIV, N1:

$$RFREQ_{current} = 0x7FA611E85 = 34265439877d, \\ 34265439877d / 2^{28} = 127.64871074631810d$$

$$HS_DIV = 4$$

$$N1 = 8$$

Calculate f_{XTAL} , $f_{DCO_current}$

$$f_{DCO_current} = f_{out} \times HSDV \times N1 = 5.000000000 \text{ GHz}$$

$$f_{XTAL} = \frac{f_{DCO_current}}{RFREQ_{current}} = 39.17 \text{ MHz}$$

Given $f_{out_new} = 161.1328125 \text{ MHz}$, choose output dividers that will keep f_{DCO} within the range of 4.85 to

5.67 GHz. In this case, keeping the same output dividers will still keep f_{DCO} within its range limits:

$$f_{DCO_new} = f_{out_new} \times HSDV_{new} \times N1_{new} \\ = 161.1328125 \text{ MHz} \times 4 \times 8 = 5.156250000 \text{ GHz}$$

Calculate the new value of RFREQ given the new DCO frequency:

$$RFREQ_{new} = \frac{f_{DCO_new}}{f_{XTAL}} = 131.637733d = 0x83A342779$$

3.2. I²C Interface

The control interface to the Si598 is an I²C-compatible 2-wire bus for bidirectional communication. The bus consists of a bidirectional serial data line (SDA) and a serial clock input (SCL). Both lines must be connected to the positive supply via an external pullup. Fast mode operation is supported for transfer rates up to 400 kbps as specified in the I²C-Bus Specification standard.

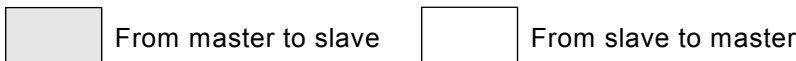
Figure 4 shows the command format for both read and write access. Data is always sent MSB. Data length is 1 byte. Read and write commands support 1 or more data bytes as illustrated. The master must send a Not Acknowledge and a Stop after the last read data byte to terminate the read command. The timing specifications and timing diagram for the I²C bus can be found in the I²C-Bus Specification standard (fast mode operation). The device I²C address is specified in the part number.



Write Command
(Optional 2nd data byte and acknowledge illustrated)



Read Command
(Optional data byte and acknowledge before the last data byte and not acknowledge illustrated)



- A – Acknowledge (SDA LOW)
- N – Not Acknowledge (SDA HIGH).
- Required after the last data byte to signal the end of the read comand to the slave.
- S – START condition
- P – STOP condition

Figure 4. I²C Command Format

Si598/Si599

4. Serial Port Registers

Note: Registers not documented are reserved. Values within reserved registers and reserved bits must not be changed.

| Register | Name | Bit 7 | Bit 6 | Bit 5 | Bit 4 | Bit 3 | Bit 2 | Bit 1 | Bit 0 |
|----------|--|--------------|---------|--------------|-----------------|----------|-------|-------|--------|
| 7 | High Speed/ N1 Dividers | HS_DIV[2:0] | | | N1[6:2] | | | | |
| 8 | Reference Frequency | N1[1:0] | | RFREQ[37:32] | | | | | |
| 9 | Reference Frequency | RFREQ[31:24] | | | | | | | |
| 10 | Reference Frequency | RFREQ[23:16] | | | | | | | |
| 11 | Reference Frequency | RFREQ[15:8] | | | | | | | |
| 12 | Reference Frequency | RFREQ[7:0] | | | | | | | |
| 135 | NewFreq/ Freeze/ Memory Control | Reserved | NewFreq | Freeze M | Freeze VCADC | Reserved | | | RECALL |
| 137 | Freeze DCO | Reserved | | | Freeze DCO | Reserved | | | |

Register 7. High Speed/N1 Dividers

| Bit | D7 | D6 | D5 | D4 | D3 | D2 | D1 | D0 |
|-------------|-------------|----|----|---------|----|----|----|----|
| Name | HS_DIV[2:0] | | | N1[6:2] | | | | |
| Type | R/W | | | R/W | | | | |

| Bit | Name | Function |
|-----|-------------|--|
| 7:5 | HS_DIV[2:0] | <p>DCO High Speed Divider. Sets value for high speed divider that takes the DCO output f_{OSC} as its clock input.</p> <p>000 = 4 001 = 5 010 = 6 011 = 7 100 = Not used. 101 = 9 110 = Not used. 111 = 11</p> |
| 4:0 | N1[6:2] | <p>CLKOUT Output Divider. Sets value for CLKOUT output divider. Allowed values are [1] and [2, 4, 6, ..., 2^7]. Illegal odd divider values will be rounded up to the nearest even value. The value for the N1 register can be calculated by taking the divider ratio minus one. For example, to divide by 10, write 0001001 (9 decimal) to the N1 registers.</p> <p>0000000 = 1 1111111 = 2^7</p> |

Register 8. Reference Frequency

| Bit | D7 | D6 | D5 | D4 | D3 | D2 | D1 | D0 |
|-------------|---------|----|--------------|----|----|----|----|----|
| Name | N1[1:0] | | RFREQ[37:32] | | | | | |
| Type | R/W | | R/W | | | | | |

| Bit | Name | Function |
|-----|--------------|--|
| 7:6 | N1[1:0] | <p>CLKOUT Output Divider. Sets value for CLKOUT output divider. Allowed values are [1] and [2, 4, 6, ..., 2^7]. Illegal odd divider values will be rounded up to the nearest even value. The value for the N1 register can be calculated by taking the divider ratio minus one. For example, to divide by 10, write 0001001 (9 decimal) to the N1 registers.</p> <p>0000000 = 1 1111111 = 2^7</p> |
| 5:0 | RFREQ[37:32] | <p>Reference Frequency. Frequency control input to DCO.</p> |

Si598/Si599

Register 9. Reference Frequency

| Bit | D7 | D6 | D5 | D4 | D3 | D2 | D1 | D0 |
|------|--------------|----|----|----|----|----|----|----|
| Name | RFREQ[31:24] | | | | | | | |
| Type | R/W | | | | | | | |

| Bit | Name | Function |
|-----|--------------|--|
| 7:0 | RFREQ[31:24] | Reference Frequency. Frequency control input to DCO. |

Register 10. Reference Frequency

| Bit | D7 | D6 | D5 | D4 | D3 | D2 | D1 | D0 |
|------|--------------|----|----|----|----|----|----|----|
| Name | RFREQ[23:16] | | | | | | | |
| Type | R/W | | | | | | | |

| Bit | Name | Function |
|-----|--------------|--|
| 7:0 | RFREQ[23:16] | Reference Frequency. Frequency control input to DCO. |

Register 11. Reference Frequency

| Bit | D7 | D6 | D5 | D4 | D3 | D2 | D1 | D0 |
|------|-------------|----|----|----|----|----|----|----|
| Name | RFREQ[15:8] | | | | | | | |
| Type | R/W | | | | | | | |

| Bit | Name | Function |
|-----|-------------|--|
| 7:0 | RFREQ[15:8] | Reference Frequency. Frequency control input to DCO. |

Register 12. Reference Frequency

| Bit | D7 | D6 | D5 | D4 | D3 | D2 | D1 | D0 |
|-------------|------------|----|----|----|----|----|----|----|
| Name | RFREQ[7:0] | | | | | | | |
| Type | R/W | | | | | | | |

| Bit | Name | Function |
|-----|------------|--|
| 7:0 | RFREQ[7:0] | Reference Frequency. Frequency control input to DCO. |

Register 135. NewFreq/Freeze/Memory Control

| Bit | D7 | D6 | D5 | D4 | D3 | D2 | D1 | D0 |
|-------------|-----|---------|----------|--------------|-----|-----|-----|--------|
| Name | | NewFreq | Freeze M | Freeze VCADC | | | | RECALL |
| Type | R/W | R/W | R/W | R/W | R/W | R/W | R/W | R/W |

Reset settings = 00xxxx00

| Bit | Name | Function |
|-----|--------------|---|
| 7 | Reserved | This bit should read 0 in normal operation. |
| 6 | NewFreq | New Frequency Applied. Alerts the DSPLL that a new frequency configuration has been applied. This bit will clear itself when the new frequency is applied. Write 0x40 to this register to assert NewFreq. |
| 5 | Freeze M | Freezes the M Control Word. Prevents interim frequency changes when writing RFREQ registers. |
| 4 | Freeze VCADC | Freezes the VCDADC Output Word. May be used to hold the nominal output frequency of the Si599. Do not use with Si598. |
| 3:1 | Reserved | Always zero. |
| 0 | RECALL | Recall NVM into RAM. 0 = No operation. 1 = Write NVM bits into RAM. Bit is internally reset following completion of operation. |

Si598/Si599

Register 137. Freeze DCO

| Bit | D7 | D6 | D5 | D4 | D3 | D2 | D1 | D0 |
|------|-----|-----|-----|------------|----|----|----|----|
| Name | | | | Freeze DCO | | | | |
| Type | R/W | R/W | R/W | R/W | R | R | R | R |

Reset settings = Si598: 0000xxxx, Si599: 1000xxxx

| Bit | Name | Function |
|-----|------------|---|
| 7 | Reserved | 0: Si598 1: Si599 |
| 6:5 | Reserved | This bits should read 0 in normal operation. |
| 4 | Freeze DCO | Freeze DCO. Freezes the DSPLL so the frequency configuration can be modified. Si598: Write 0x10 to this register to Freeze DCO. Si599: Write 0x90 to this register to Freeze DCO. |
| 3:0 | Reserved | Read only. |

5. Si598 (XO) Pin Descriptions



Table 15. Si598 Pin Descriptions

| Pin | Name | Type | Function |
|-----|-----------------------|-----------------------------|---|
| 1 | NC | N/A | No Connect. Make no external connection to this pin. |
| 2 | OE | Input | Output Enable.* See 7. Ordering Information on page 21. |
| 3 | GND | Ground | Electrical and Case Ground. |
| 4 | CLK+ | Output | Oscillator Output. |
| 5 | CLK- (NC for CMOS) | Output (N/A for CMOS) | Complementary Output. (NC for CMOS, do not make external connection). |
| 6 | V _{DD} | Power | Power Supply Voltage. |
| 7 | SDA | Bidirectional Open Drain | I²C Serial Data. |
| 8 | SCL | Input | I²C Serial Clock. |

***Note:** OE pin includes a 17 kΩ resistor to V_{DD} for OE active high option or 17 kΩ to GND for OE active low option.

Si598/Si599

6. Si599 (VCXO) Pin Descriptions



Table 16. Si599 Pin Descriptions

| Pin | Name | Type | Function |
|-----|-----------------------|-----------------------------|---|
| 1 | V _C | Analog Input | Control Voltage. |
| 2 | OE | Input | Output Enable.* See 7. Ordering Information on page 21. |
| 3 | GND | Ground | Electrical and Case Ground. |
| 4 | CLK+ | Output | Oscillator Output. |
| 5 | CLK- (NC for CMOS) | Output (N/A for CMOS) | Complementary Output. (NC for CMOS, do not make external connection). |
| 6 | V _{DD} | Power | Power Supply Voltage. |
| 7 | SDA | Bidirectional Open Drain | I²C Serial Data. |
| 8 | SCL | Input | I²C Serial Clock. |

***Note:** OE pin includes a 17 kΩ resistor to V_{DD} for OE active high option or 17 kΩ to GND for OE active low option.

7. Ordering Information

The Si598/Si599 supports a wide variety of options including frequency range, start-up frequency, temperature stability, tuning slope, output format, and V_{DD} . Specific device configurations are programmed into the Si598/Si599 at time of shipment. Configurations are specified using the Part Number Configuration chart shown below. Silicon Labs provides a web browser-based part number configuration utility to simplify this process. Refer to www.silabs.com/VCXOPartNumber to access this tool and for further ordering instructions. The Si598/Si599 XO/VCXO series is supplied in an industry-standard, RoHS compliant, 8-pad, 5x7 mm package. Tape and reel packaging is an ordering option.



Figure 5. Part Number Convention

Si598/Si599

Table 17. Standard Si598 Part Numbers

| Part Number | VDD | Output Format | Total Stability | Frequency Range | Startup Frequency | I ² C Address |
|----------------|------|---------------|-----------------|-----------------|-------------------|--------------------------|
| 598CCC000107DG | 3.3V | CMOS | 30 ppm | 10–160 MHz | 10 MHz | 0x55 |
| 598BCA000107DG | 3.3V | LVDS | 30 ppm | 10–810 MHz | 10 MHz | 0x55 |

8. Si59x Mark Specification

Figure 6 illustrates the mark specification for the Si59x. Table 18 lists the line information.



Figure 6. Mark Specification

Table 18. Si59x Top Mark Description

| Line | Position | Description |
|------|-------------------|--|
| 1 | 1–10 | “SiLabs”+ Part Family Number, 59x (first 3 characters in part number where x = 8 indicates a 598 device and x = 9 indicates a 599 device). |
| 2 | 1–10 | Option1 + Option2 + Option3 + ConfigNum(6) + Temp |
| 3 | Trace Code | |
| | Position 1 | Pin 1 orientation mark (dot) |
| | Position 2 | Product Revision (D) |
| | Position 3–6 | Tiny Trace Code (4 alphanumeric characters per assembly release instructions) |
| | Position 7 | Year (least significant year digit), to be assigned by assembly site (ex: 2010 = 0) |
| | Position 8–9 | Calendar Work Week number (1–53), to be assigned by assembly site |
| | Position 10 | “+” to indicate Pb-Free and RoHS-compliant |

9. Outline Diagram and Suggested Pad Layout

Figure 7 illustrates the package details for the Si598/Si599. Table 19 lists the values for the dimensions shown in the illustration.

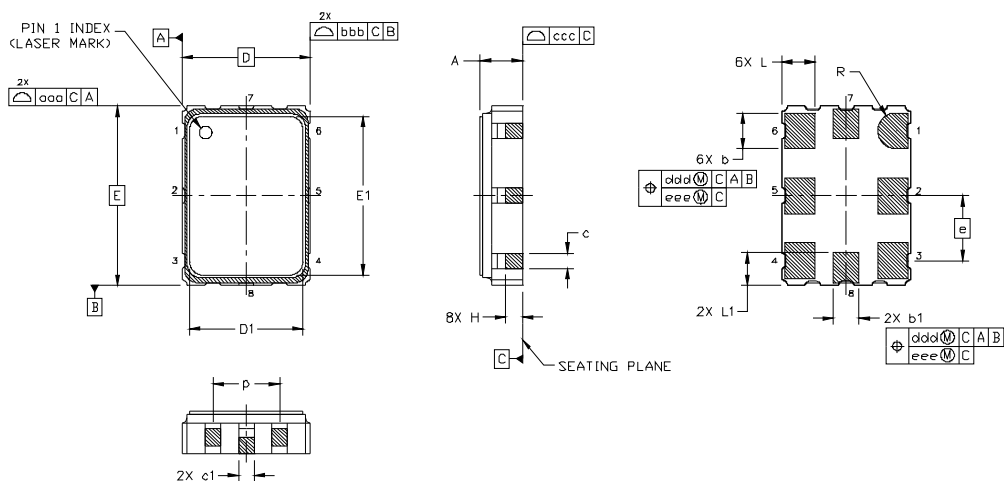


Figure 7. Si598/Si599 Outline Diagram

Table 19. Package Diagram Dimensions (mm)

| Dimension | Min | Nom | Max |
|---|----------|------|------|
| A | 1.50 | 1.65 | 1.80 |
| b | 1.30 | 1.40 | 1.50 |
| b1 | 0.90 | 1.00 | 1.10 |
| c | 0.50 | 0.60 | 0.70 |
| c1 | 0.30 | — | 0.60 |
| D | 5.00 BSC | | |
| D1 | 4.30 | 4.40 | 4.50 |
| e | 2.54 BSC | | |
| E | 7.00 BSC | | |
| E1 | 6.10 | 6.20 | 6.30 |
| H | 0.55 | 0.65 | 0.75 |
| L | 1.17 | 1.27 | 1.37 |
| L1 | 1.07 | 1.17 | 1.27 |
| p | 1.80 | — | 2.60 |
| R | 0.70 REF | | |
| aaa | — | — | 0.15 |
| bbb | — | — | 0.15 |
| ccc | — | — | 0.10 |
| ddd | — | — | 0.10 |
| eee | — | — | 0.05 |
| Note: | | | |
| 1. All dimensions shown are in millimeters (mm) unless otherwise noted. | | | |
| 2. Dimensioning and Tolerancing per ANSI Y14.5M-1994. | | | |

10. 8-Pin PCB Land Pattern

Figure 8 illustrates the 8-pin PCB land pattern for the Si598/Si599. Table 20 lists the values for the dimensions shown in the illustration.



Figure 8. Si598/Si599 PCB Land Pattern

Table 20. PCB Land Pattern Dimensions (mm)

| Dimension | Min | Max |
|-----------|-----------|------|
| D2 | 5.08 REF | |
| D3 | 5.705 REF | |
| e | 2.54 BSC | |
| E2 | 4.20 REF | |
| GD | 0.84 | — |
| GE | 2.00 | — |
| VD | 8.20 REF | |
| VE | 7.30 REF | |
| X1 | 1.70 TYP | |
| X2 | 1.545 TYP | |
| Y1 | 2.15 REF | |
| Y2 | 1.3 REF | |
| ZD | — | 6.78 |
| ZE | — | 6.30 |

Note:

1. Dimensioning and tolerancing per the ANSI Y14.5M-1994 specification.
2. Land pattern design follows IPC-7351 guidelines.
3. All dimensions shown are at maximum material condition (MMC).
4. Controlling dimension is in millimeters (mm).

REVISION HISTORY

Revision 1.1

June, 2018

- Changed “Trays” to “Coil Tape” in 7. Ordering Information on page 21.

Revision 1.0

- Updated Register 135, “NewFreq/Freeze/Memory Control,” on page 17.
- Updated Register 137, “Freeze DCO,” on page 18.

Revision 0.9

- Updated Si598/599 devices to support frequencies up to 810 MHz for LVPECL, LVDS, and CML outputs.
- Added Table 13, “Thermal Characteristics,” on page 10.
- Updated ESD HBM sensitivity rating in Table 14 on page 10.
- Updated Table 11 on page 9 to include “Moisture Sensitivity Level” and “Contact Pads” rows.
- Updated Figure 6 and Table 18 on page 23 to reflect specific marking information.
- Corrected pin 7 and pin 8 designation in package diagram in Figure 7 on page 24.



ClockBuilder Pro

One-click access to Timing tools, documentation, software, source code libraries & more. Available for Windows and iOS (CBGo only).

www.silabs.com/CBPro



Timing Portfolio
www.silabs.com/timing



SW/HW
www.silabs.com/CBPro



Quality
www.silabs.com/quality



Support and Community
community.silabs.com

Disclaimer

Silicon Labs intends to provide customers with the latest, accurate, and in-depth documentation of all peripherals and modules available for system and software implementers using or intending to use the Silicon Labs products. Characterization data, available modules and peripherals, memory sizes and memory addresses refer to each specific device, and "Typical" parameters provided can and do vary in different applications. Application examples described herein are for illustrative purposes only. Silicon Labs reserves the right to make changes without further notice and limitation to product information, specifications, and descriptions herein, and does not give warranties as to the accuracy or completeness of the included information. Silicon Labs shall have no liability for the consequences of use of the information supplied herein. This document does not imply or express copyright licenses granted hereunder to design or fabricate any integrated circuits. The products are not designed or authorized to be used within any Life Support System without the specific written consent of Silicon Labs. A "Life Support System" is any product or system intended to support or sustain life and/or health, which, if it fails, can be reasonably expected to result in significant personal injury or death. Silicon Labs products are not designed or authorized for military applications. Silicon Labs products shall under no circumstances be used in weapons of mass destruction including (but not limited to) nuclear, biological or chemical weapons, or missiles capable of delivering such weapons.

Trademark Information

Silicon Laboratories Inc.®, Silicon Laboratories®, Silicon Labs®, SiLabs® and the Silicon Labs logo®, Bluegiga®, Bluegiga Logo®, Clockbuilder®, CMEMS®, DSPLL®, EFM®, EFM32®, EFR, Ember®, Energy Micro, Energy Micro logo and combinations thereof, "the world's most energy friendly microcontrollers", Ember®, EZLink®, EZRadio®, EZRadioPRO®, Gecko®, ISOModem®, Micrium, Precision32®, ProSLIC®, Simplicity Studio®, SiPHY®, Telegesis, the Telegesis Logo®, USBXpress®, Zentri, Z-Wave, and others are trademarks or registered trademarks of Silicon Labs. ARM, CORTEX, Cortex-M3 and THUMB are trademarks or registered trademarks of ARM Holdings. Keil is a registered trademark of ARM Limited. All other products or brand names mentioned herein are trademarks of their respective holders.



Silicon Laboratories Inc.
400 West Cesar Chavez
Austin, TX 78701
USA

<http://www.silabs.com>



Компания «ЭлектроПласт» предлагает заключение долгосрочных отношений при поставках импортных электронных компонентов на взаимовыгодных условиях!

Наши преимущества:

- Оперативные поставки широкого спектра электронных компонентов отечественного и импортного производства напрямую от производителей и с крупнейших мировых складов;
- Поставка более 17-ти миллионов наименований электронных компонентов;
- Поставка сложных, дефицитных, либо снятых с производства позиций;
- Оперативные сроки поставки под заказ (от 5 рабочих дней);
- Экспресс доставка в любую точку России;
- Техническая поддержка проекта, помощь в подборе аналогов, поставка прототипов;
- Система менеджмента качества сертифицирована по Международному стандарту ISO 9001;
- Лицензия ФСБ на осуществление работ с использованием сведений, составляющих государственную тайну;
- Поставка специализированных компонентов (Xilinx, Altera, Analog Devices, Intersil, Interpoint, Microsemi, Aeroflex, Peregrine, Syfer, Eurofarad, Texas Instrument, Miteq, Cobham, E2V, MA-COM, Hittite, Mini-Circuits, General Dynamics и др.);

Помимо этого, одним из направлений компании «ЭлектроПласт» является направление «Источники питания». Мы предлагаем Вам помощь Конструкторского отдела:

- Подбор оптимального решения, техническое обоснование при выборе компонента;
- Подбор аналогов;
- Консультации по применению компонента;
- Поставка образцов и прототипов;
- Техническая поддержка проекта;
- Защита от снятия компонента с производства.



Как с нами связаться

Телефон: 8 (812) 309 58 32 (многоканальный)

Факс: 8 (812) 320-02-42

Электронная почта: org@eplast1.ru

Адрес: 198099, г. Санкт-Петербург, ул. Калинина, дом 2, корпус 4, литера А.