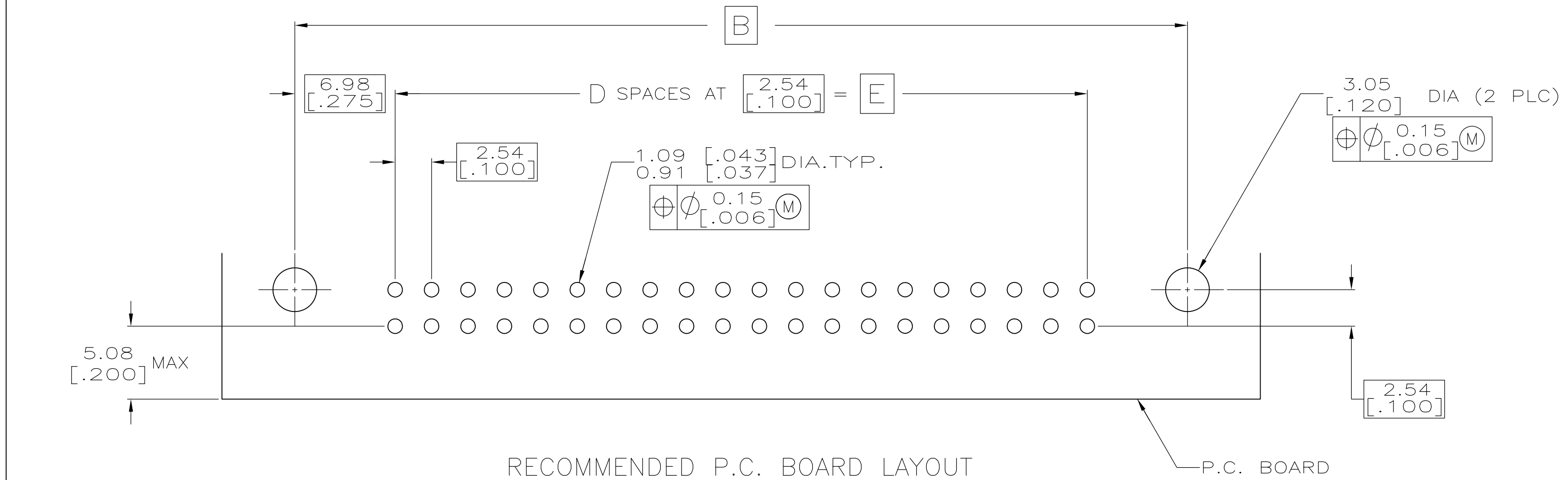
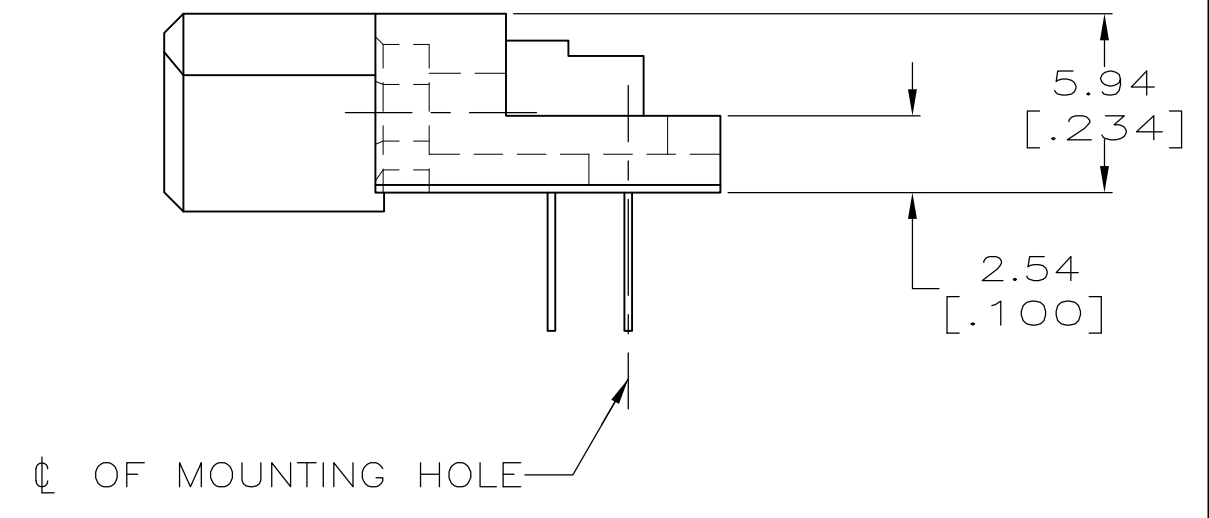
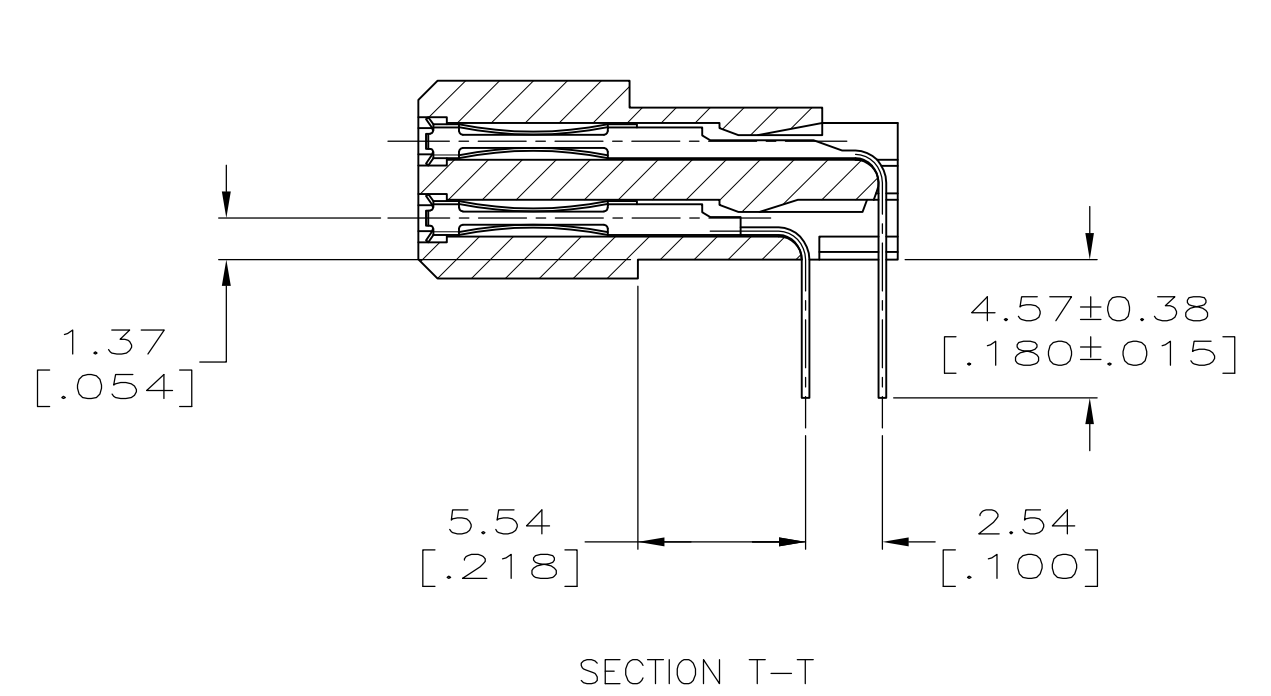
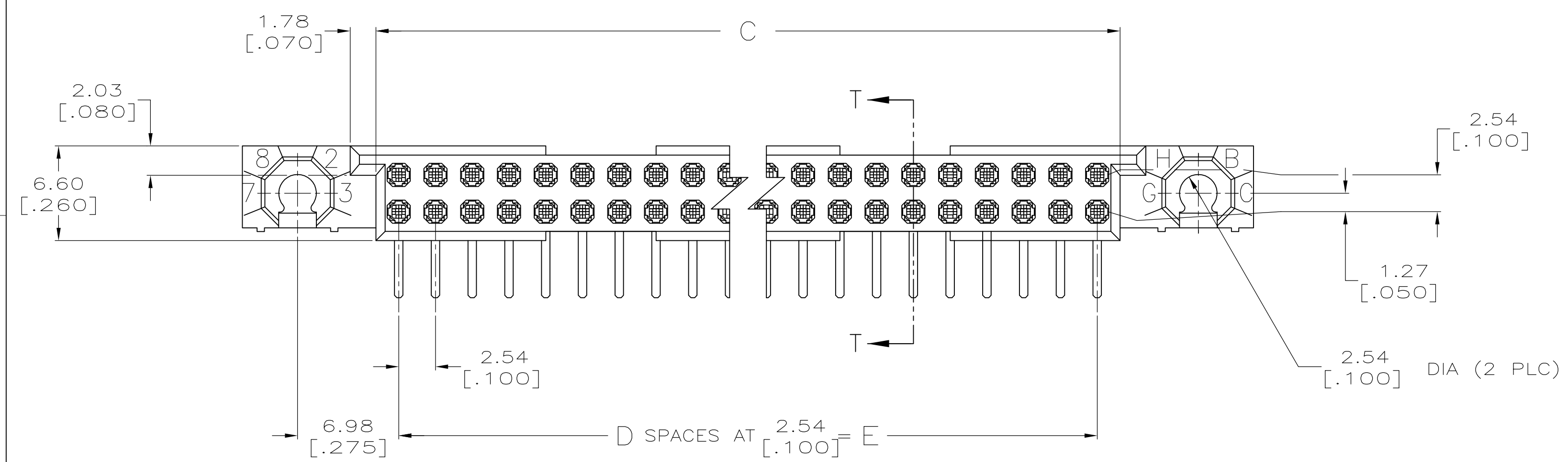
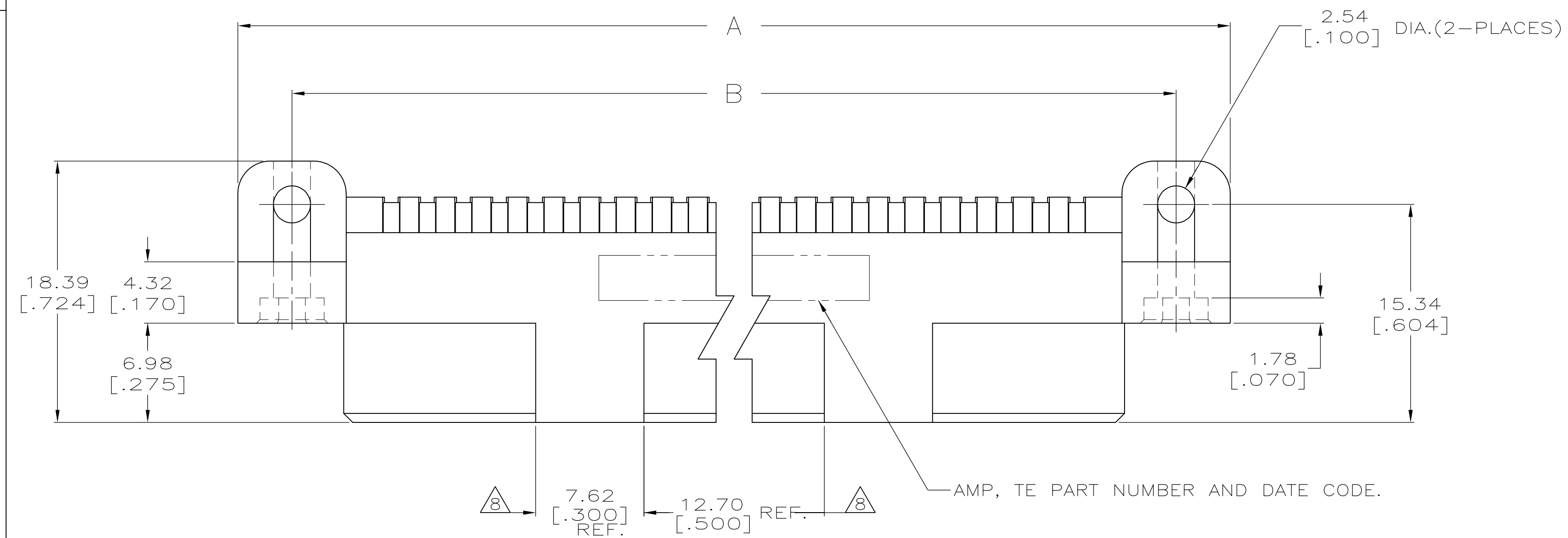


THIS DRAWING IS A CONTROLLED DOCUMENT. DWG NO 532428



THIS INFORMATION IS CONFIDENTIAL AND PROPRIETARY TO TE CONNECTIVITY AND ITS AFFILIATES. IT IS NOT TO BE DISCLOSED, REPRODUCED, COPIED, OR TRANSMITTED IN ANY FORM OR BY ANY MEANS, WITHOUT AUTHORIZATION FROM TE CONNECTIVITY.

| | | | | | | | |
|--|---------------------------|--|----|-------------|------|--------------------|---|
| DWG: R.K. SEIFRIED | | DATE: 06/14/90 | | MATERIAL: - | | HEAT TREAT: - | |
| CHK: G.E.SKIPPER | | DATE: 3/29/94 | | APVD: - | | TE Connectivity | |
| NAME: HDI, 2 ROW, RECEPTACLE ASSEMBLY, 4.57 [.180] LONG SOLDER TAILS | | SCALE: 4:1 | | SIZE: A1 | | SHEET: 1 of 2 | |
| REVISION RECORD | | DATE | | DWG | | REV | |
| U | REVISED PER ECO-16-009924 | 7JUL2016 | DS | SY | APVD | | U |
| DIMENSIONS: mm [INCHES] | | TOLERANCES UNLESS OTHERWISE SPECIFIED: | | ANGLES: - | | SURFACE TEXTURE: √ | |
| 0 PLC | ± .05 | 0.15 [.006] M | | | | | |
| 1 PLC | ± .05 | | | | | | |
| 2 PLC | ± .05 | | | | | | |
| 3 PLC | ± 0.13 [.005] | | | | | | |
| 4 PLC | ± .05 | | | | | | |

- 1 HOUSING MATERIAL: THERMOPLASTIC, COLOR-NATURAL, COLOR IS BLACK FOR P/N 1-532428-0.
- 2 CONTACT MATERIAL: COPPER ALLOY.
- 3 FINISH: MATING AREA: MEETS THE PERFORMANCE REQUIREMENTS OF PRODUCT SPECIFICATION 108-9063; BASED ON TELCORDIA DR-1217-CORE APPLICATIONS IN UNCONTROLLED ENVIRONMENTS. SOLDER TAILS AREA: TIN-LEAD PLATED.
- 4 SOLDER TAILS MUST FIT HOLE PATTERN AS SHOWN ON THE RECOMMENDED P.C. BOARD LAYOUT.
- 5 DIMENSIONS IN BRACKETS ARE IN INCHES.
- 6 HOUSINGS WITH CENTER MOUNTING IS RECOMMENDED FOR ASSEMBLIES HAVING 75 CONTACTS PER ROW OR MORE.
- 7 PART NUMBER IS OBSOLETE.
- 8 QUANTITIES OF VOID CORING ARE DEPENDENT ON THE POSITION SIZE OF THE HOUSING.
- 9 OBSOLETE PARTS: OBSOLETE CIS STREAMLINING PER D.RENAUD/D.SINISI
- 10 FINISH: CONTACT FINISH: .00127-.00254 [.000050-.000100] NICKEL UNDERPLATE ALL OVER; .000762 [.000030] GOLD PLATE IN CONTACT AREA, TIN-LEAD PLATED POSTS.

| | | | | | | |
|-------------------|-----|--------------------|--------------------|--------------------|------|-------------|
| 226.06 [8.900] | 89 | 229.21 [9.024] | 240.03 [9.450] | 247.65 [9.750] | 180 | 4-532428-8 |
| 200.66 [7.900] | 79 | 203.81 [8.024] | 214.63 [8.450] | 222.25 [8.750] | 160 | 4-532428-6 |
| 251.46 [9.900] | 99 | 254.61 [10.024] | 265.43 [10.450] | 273.05 [10.750] | 200 | 4-532428-5 |
| 175.26 [6.900] | 69 | 178.41 [7.024] | 189.23 [7.450] | 196.85 [7.750] | 140 | 4-532428-3 |
| 149.86 [5.900] | 59 | 153.01 [6.024] | 163.83 [6.450] | 171.45 [6.750] | 120 | 4-532428-1 |
| 124.46 [4.900] | 49 | 127.61 [5.024] | 138.43 [5.450] | 146.05 [5.750] | 100 | 3-532428-9 |
| 99.06 [3.900] | 39 | 102.21 [4.024] | 113.03 [4.450] | 120.65 [4.750] | 80 | 3-532428-7 |
| 73.66 [2.900] | 29 | 76.81 [3.024] | 87.63 [3.450] | 95.25 [3.750] | 60 | 3-532428-5 |
| 60.96 [2.400] | 24 | 64.11 [2.524] | 74.93 [2.950] | 82.55 [3.250] | 50 | 3-532428-4 |
| 48.26 [1.900] | 19 | 51.41 [2.024] | 62.23 [2.450] | 69.85 [2.750] | 40 | 3-532428-3 |
| 210.82 [8.300] | 83 | 213.97 [8.424] | 224.79 [8.850] | 232.41 [9.150] | 168 | 2-532428-1 |
| --- | --- | --- | --- | --- | --- | 2-532428-0 |
| --- | --- | --- | --- | --- | --- | 1-532428-9 |
| 226.06 [8.900] | 89 | 229.21 [9.024] | 240.03 [9.450] | 247.65 [9.750] | 180 | 1-532428-8 |
| --- | --- | --- | --- | --- | --- | 1-532428-7 |
| 200.66 [7.900] | 79 | 203.81 [8.024] | 214.63 [8.450] | 222.25 [8.750] | 160 | 1-532428-6 |
| 251.46 [9.900] | 99 | 254.61 [10.024] | 265.43 [10.450] | 273.05 [10.750] | 200 | 1-532428-5 |
| 187.96 [7.400] | 74 | 191.11 [7.524] | 201.93 [7.950] | 209.55 [8.250] | 150 | 1-532428-4 |
| 175.26 [6.900] | 69 | 178.41 [7.024] | 189.23 [7.450] | 196.85 [7.750] | 140 | 1-532428-3 |
| --- | --- | --- | --- | --- | --- | 1-532428-2 |
| 149.86 [5.900] | 59 | 153.01 [6.024] | 163.83 [6.450] | 171.45 [6.750] | 120 | 1-532428-1 |
| 137.16 [5.400] | 54 | 140.31 [5.524] | 151.13 [5.950] | 158.75 [6.250] | 110 | 1-532428-0 |
| 124.46 [4.900] | 49 | 127.61 [5.024] | 138.43 [5.450] | 146.05 [5.750] | 100 | 532428-9 |
| --- | --- | --- | --- | --- | --- | 532428-8 |
| 99.06 [3.900] | 39 | 102.21 [4.024] | 113.03 [4.450] | 120.65 [4.750] | 80 | 532428-7 |
| 86.36 [3.400] | 34 | 89.51 [3.524] | 100.33 [3.950] | 107.95 [4.250] | 70 | 532428-6 |
| 73.66 [2.900] | 29 | 76.81 [3.024] | 87.63 [3.450] | 95.25 [3.750] | 60 | 532428-5 |
| 60.96 [2.400] | 24 | 64.11 [2.524] | 74.93 [2.950] | 82.55 [3.250] | 50 | 532428-4 |
| 48.26 [1.900] | 19 | 51.41 [2.024] | 62.23 [2.450] | 69.85 [2.750] | 40 | 532428-3 |
| --- | --- | --- | --- | --- | --- | 532428-2 |
| 22.86 [.900] | 9 | 26.01 [1.024] | 36.83 [1.450] | 44.45 [1.750] | 20 | 532428-1 |
| E | D | C | B | A | POSN | PART NUMBER |

| | | | | | | | | | |
|----------------------------|--|--|--|--|--|---------------|--|---------------|--|
| DIMENSIONS: mm [INCHES] | | TOLERANCES UNLESS OTHERWISE SPECIFIED: | | DWN: R.K. SEIFRIED 06/14/90 | | MATERIAL: - | | HEAT TREAT: - | |
| 0 PLC ± .01 | | 1 PLC ± .01 | | CHK: G.E. SKIPPER 3/29/94 | | APVD: - | | - | |
| 2 PLC ± .01 | | 3 PLC ± 0.13 [.005] | | NAME: HDI, 2 ROW, RECEPTACLE ASSEMBLY, 4.57 [1.80] LONG SOLDER TAILS | | SCALE: 4:1 | | SIZE: A1 | |
| 4 PLC ± .01 | | SURFACE TEXTURE: √ | | DRAWING NO: 532428 | | SHEET: 2 of 2 | | REV: U | |



Компания «ЭлектроПласт» предлагает заключение долгосрочных отношений при поставках импортных электронных компонентов на взаимовыгодных условиях!

Наши преимущества:

- Оперативные поставки широкого спектра электронных компонентов отечественного и импортного производства напрямую от производителей и с крупнейших мировых складов;
- Поставка более 17-ти миллионов наименований электронных компонентов;
- Поставка сложных, дефицитных, либо снятых с производства позиций;
- Оперативные сроки поставки под заказ (от 5 рабочих дней);
- Экспресс доставка в любую точку России;
- Техническая поддержка проекта, помощь в подборе аналогов, поставка прототипов;
- Система менеджмента качества сертифицирована по Международному стандарту ISO 9001;
- Лицензия ФСБ на осуществление работ с использованием сведений, составляющих государственную тайну;
- Поставка специализированных компонентов (Xilinx, Altera, Analog Devices, Intersil, Interpoint, Microsemi, Aeroflex, Peregrine, Syfer, Eurofarad, Texas Instrument, Miteq, Cobham, E2V, MA-COM, Hittite, Mini-Circuits, General Dynamics и др.);

Помимо этого, одним из направлений компании «ЭлектроПласт» является направление «Источники питания». Мы предлагаем Вам помощь Конструкторского отдела:

- Подбор оптимального решения, техническое обоснование при выборе компонента;
- Подбор аналогов;
- Консультации по применению компонента;
- Поставка образцов и прототипов;
- Техническая поддержка проекта;
- Защита от снятия компонента с производства.



Как с нами связаться

Телефон: 8 (812) 309 58 32 (многоканальный)

Факс: 8 (812) 320-02-42

Электронная почта: org@eplast1.ru

Адрес: 198099, г. Санкт-Петербург, ул. Калинина, дом 2, корпус 4, литера А.