



**MICRO SWITCH™**  
**Miniature Sealed Basic Switches**  
**SE and XE Series**



# MICRO SWITCH™ SE and XE Series

## Miniature Sealed Basic Switches

Honeywell SE and XE miniature sealed basic switches are designed for precise and reliable position indication of critical applications on aircraft and military systems. The applications range from military and commercial aircraft and helicopters to military land vehicles (track and wheeled vehicles). These switches are also suitable for other commercial and industrial applications where a degree of environmental sealing is required.

The environmentally sealed SE Series is designed for demanding applications where water and/or particulate contaminant is present along with the potential for a wide range of temperatures. The SE Series incorporates the Honeywell time-proven MICRO SWITCH™ SM Series electromechanical switches in the SE housing.

The environmentally sealed miniature XE Series is similar to the SE Series except smaller in package size, utilizing the Honeywell MICRO SWITCH™ SX subminiature electromechanical switch. In addition, select Honeywell XE switches are MIL-PRF-8805 qualified satisfying the requirements where a military qualified or compliant switch is required.

To add to the versatility of the SE and XE family of products, CSA and UL certified products are available where the application is not aerospace or military related.

### *What makes our switches better?*

- SE Series is certified by UL and CSA. XE Series holds approval from UL and within the family qualified to MIL-PRF-8805
- Built with high quality MICRO SWITCH™ switching mechanism: SE Series features MICRO SWITCH™ SM switches and XE Series is built with MICRO SWITCH™ SX switches
- Available with pin plungers or auxiliary levers to meet equipment requirements
- Designed for control of circuits ranging from logic level to power duty



***Big performance  
in a little package.***

HIGH PERFORMANCE • DURABILITY  
COMPACT • CUSTOMIZATION/CONFIGURABLE

# Features and Benefits

## MIL-QUALIFIED AND AGENCY CERTIFIED

**Military qualified listings offered** in the MICRO SWITCH™ XE product family are for onboard or support equipment as specified. UL and CSA certified products are available for use where the application is not aerospace or military related.

## COMPACT AND SEALED

Miniature overall package size **requires less space on the equipment.** SE and XE Series switches are environmentally sealed in a small package for stringent indoor or outdoor applications where liquid and/or particulate contaminants are present.

*Tiny, tough, and high-temp rated*

## WELL SUITED FOR HIGH TEMPERATURES

SE/XE switches boast temperature ratings from -53 °C to 105 °C [-65 °F to 221 °F] for design flexibility, with **high temperature options** to 149 °C [300 °F].

## LOW VOLTAGE AND POWER DUTY CAPABILITY

SE/XE product are available with **silver contacts** for control of power duty circuits or **gold contacts** for control of logic level circuits.

## LEVERS FURTHER EXPAND FUNCTIONALITY

**Auxiliary actuators** expand the capability of the products for additional applications.

## RANGE OF TERMINATION OPTIONS

Electrical connectivity options include solder post, prelead with MIL-rated leadwire, or custom connectivity to **decrease installation time.**

# Potential Applications



## **MILITARY AIRCRAFT AND HELICOPTERS**

- Monitor doors or panels whether open/closed or locked/unlocked
- Mechanical position of actuators
- Valve position open or closed in conjunction with the hydraulics, fuel, and other systems
- Missile, bomb, and ordnance systems

## **COMMERCIAL AIRCRAFT AND HELICOPTERS**

- Monitor doors or panels whether open/closed or locked/unlocked
- Mechanical position of actuators
- Valve position open or closed in conjunction with the hydraulics, fuel, and other systems



## **AVIATION GROUND SUPPORT EQUIPMENT**

- Monitoring doors or panels
- Valve position whether open or closed

## **MILITARY LAND VEHICLES (TRACK AND WHEELED VEHICLES)**

- Monitor position of doors, guards
- Monitor position of valves and solenoids

# MICRO SWITCH™ Miniature Sealed Basic Switches

**Table 1. Specifications**

| Characteristic               | SE Series   | XE Series  |
|------------------------------|---|--|
| Description                  | environmentally sealed switch   | environmentally sealed miniature switch  |
| Housing material             | Anodized aluminum   | Anodized aluminum  |
| Mechanical endurance         | please contact info.sc@honeywell.com for details  | 25,000   |
| Electrical endurance         | please contact info.sc@honeywell.com for details  | 25,000   |
| Circuitry                    | SPST (NC), SPST (NO), SPDT  | SPST (NC), SPST (NO), SPDT   |
| Electrical termination       | epoxy sealed leadwire, (0,52 mm <sup>2</sup> [20 awg]) or epoxy sealed solder pins                | epoxy sealed leadwire, (0,52 mm <sup>2</sup> [20 awg]) or epoxy sealed solder pins               |
| Electrical rating            | 5 A @ 30 Vdc; 5 A @ 250 Vac, 60 Hz  | 7 A @ 28 Vdc; 7 A @ 250 Vac, 60 Hz   |
| Sealing                      | Symbol 3 “watertight” per MIL-PRF-8805  | Symbol 3 “watertight” per MIL-PRF-8805   |
| Temperature range            | -53 °C to 105 °C [-65 °F to 221 °F] (standard)<br>-26 °C to 85 °C [-15 °F to 185 °F] (5SE Series) | -53 °C to 105 °C [-65°F to 221 °F] (standard)<br>-26 °C to 85 °C [-15 °F to 185 °F] (5XE Series) |
| Temperature range (optional) | please contact info.sc@honeywell.com for details  | -53 °C to 149 °C [-65°F to 300 °F] (14XE Series)   |
| Vibration                    | Grade 2 (15 G) per MIL-PRF-8805   | Grade 2 (15 G) per MIL-PRF-8805  |
| Approvals                    | UL, CSA   | UL, MIL-PRF-8805   |
| Actuators                    | Top pin plunger, optional auxiliary actuators available   | Top pin plunger, optional auxiliary actuators available  |

**Table 2. Electrical Ratings**

| Rating code | SE/XE Series  |
|-------------|---|
| A           | Sea level @ 28 Vdc; 5 A res. and 3 A ind.<br>50,000 feet @ 28 Vdc; 5 A res. and 2.5 A ind.<br>General purpose; 5 A res. and 5 A ind. at 125 or 250 Vac, 60 Hz |
| B           | UL and CSA rating; 5 A at 125 or 250 Vac, 60 Hz   |
| C           | Sea level @ 28 Vdc; 7 A res. and 4 A ind.<br>50,000 feet @ 28 Vdc; 7 A res. and 2.5 A ind.<br>General purpose; 7 A res. and 4 A ind. at 115 Vac, 400 Hz       |
| D           | UL rating; 7 A at 125 or 250 Vac, 60 Hz   |
| E           | Sea level @ 28 Vdc; 7 A res. and 4 A ind.<br>50,000 feet @ 28 Vdc; 7 A res and 2.5 A ind.   |
| F           | Logic level @ 28 Vdc; 1 amp res. and 0.50 A ind.  |

# SE and XE Series

## ELECTROMECHANICAL SWITCHES

Definitions below explain the meaning of operating characteristics. Characteristics shown in tables were chosen as most significant. They are taken at normal room temperature and humidity. These may vary as temperature and humidity conditions differ. Sketches show how characteristics are measured for in-line plunger actuation.

Linear dimensions for in-line actuation are from top of plunger to a reference line, usually the center of the mounting holes.

**Differential Travel (D.T.)** – Plunger or actuator travel from point where contacts “snap-over” to point where they “snap-back.”

**Free Position (F.P.)** – Position of switch plunger or actuator when no external force is applied (other than gravity).

**Full Overtravel Force** – Force required to attain full overtravel of actuator.

**Operating Position (O.P.)** – Position of switch plunger or actuator at which point contacts snap from normal to operated position. Note that in the case of flexible or adjustable actuators, the operating position is measured from the end of the lever or its maximum length. Location of operating position measurement shown on mounting dimension drawings.

**Operating Force (O.F.)** – Amount of force applied to switch plunger or actuator to cause contact “snap-over.” Note in the case of adjustable actuators, the force is measured from the maximum length position of the lever.

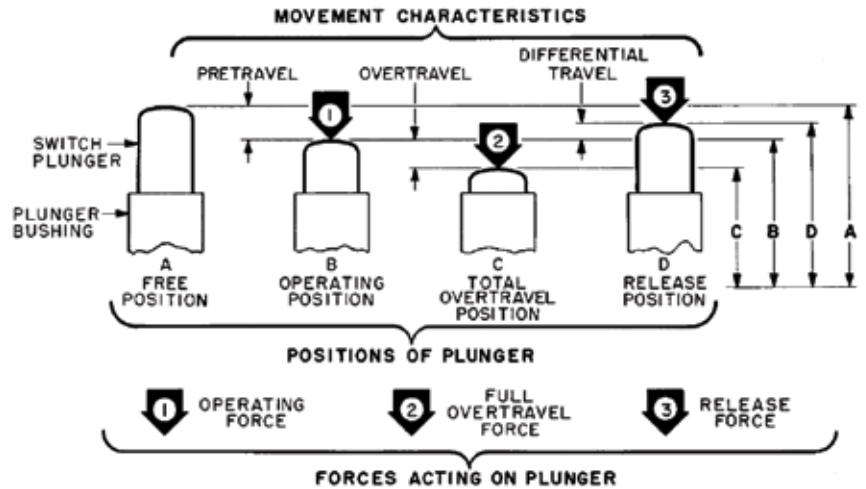
**Overtravel (O.T.)** – Plunger or actuator travel safely available beyond operating position.

**Pretravel (P.T.)** – Distance or angle traveled in moving plunger or actuator from free position to operating position.

**Release Force (R.F.)** – Amount of force still applied to switch plunger or actuator at moment contacts snap from operated position to unoperated position.

**Total Travel (T.T.)** – Distance from actuator free position to overtravel limit position.

## IN-LINE PLUNGER ACTUATION



# MICRO SWITCH™ Miniature Sealed Basic Switches

- O.F. • Operating force
- R.F. • Release force
- P.T. • Pretravel
- O.T. • Overtravel
- D.T. • Differential travel
- O.P. • Operating position

## MICRO SWITCH™ SE PRODUCT SPECIFICATIONS AND LISTINGS

Contact your Honeywell rep or distributor for additional listings

|   | Catalog Listing | Elect. Rating Spec. (page 5) | Contacts | Termination mm [in]        | O.F. g [oz]             | R.F. min. g [oz] | P.T. max. mm [inches] | O.T. min. mm [inches] | D.T. max. mm [inches] | O.P. nom. mm [inches] | Comment                           |
|---|-----------------|------------------------------|----------|----------------------------|-------------------------|------------------|-----------------------|-----------------------|-----------------------|-----------------------|-----------------------------------|
|  <p>(see Figure 1)</p>   | <b>1SE1</b>     | A                            | SPDT     | Wire leads (3)<br>305 [12] | 142 to 482<br>[5 to 17] | 113 [4]          | 1,27<br>[0.050]       | 0,08<br>[0.003]       | 0,1<br>[0.004]        | 10,8<br>[0.425]       | General purpose                   |
|   | <b>1SE2</b>     | A                            | SPST, NC | Wire leads (2)<br>305 [12] | 142 to 482<br>[5 to 17] | 113 [4]          | 1,27<br>[0.050]       | 0,08<br>[0.003]       | 0,1<br>[0.004]        | 10,8<br>[0.425]       | Single circuit only               |
|   | <b>1SE3</b>     | A                            | SPST, NO | Wire leads (2)<br>305 [12] | 142 to 482<br>[5 to 17] | 113 [4]          | 1,27<br>[0.050]       | 0,08<br>[0.003]       | 0,1<br>[0.004]        | 10,8<br>[0.425]       | Single circuit only               |
|   | <b>1SE401</b>   | F                            | SPDT     | Wire leads (3)<br>305 [12] | 142 to 482<br>[5 to 17] | 113 [4]          | 1,27<br>[0.050]       | 0,08<br>[0.003]       | 0,1<br>[0.004]        | 10,8<br>[0.425]       | Gold bifurcated contacts          |
|   | <b>4SE1</b>     | B                            | SPDT     | Wire leads (3)<br>305 [12] | 142 to 482<br>[5 to 17] | 113 [4]          | 1,27<br>[0.050]       | 0,08<br>[0.003]       | 0,1<br>[0.004]        | 10,8<br>[0.425]       | UL, CSA                           |
|   | <b>5SE1</b>     | A                            | SPDT     | Wire leads (3)<br>305 [12] | 142 to 482<br>[5 to 17] | 113 [4]          | 1,27<br>[0.050]       | 0,08<br>[0.003]       | 0,1<br>[0.004]        | 10,8<br>[0.425]       | Oil resistant fluorosilicone seal |
|   | <b>7SE1</b>     | A                            | SPDT     | Wire leads (3)<br>305 [12] | 113 to 227<br>[4 to 8]  | 57 [2]           | 1,27<br>[0.050]       | 0,08<br>[0.003]       | 0,1<br>[0.004]        | 10,8<br>[0.425]       | Lower force                       |
|  <p>(see Figure 2)</p> | <b>1SE1-T</b>   | A                            | SPDT     | Solder pins                | 142 to 482<br>[5 to 17] | 113 [4]          | 1,27<br>[0.050]       | 0,08<br>[0.003]       | 0,1<br>[0.004]        | 10,8<br>[0.425]       | Solder terminals                  |
|   | <b>12SE4-T</b>  | A                            | SPDT     | Solder pins                | 142 to 539<br>[5 to 19] | 113 [4]          | 1,27<br>[0.050]       | 0,08<br>[0.003]       | 0,1<br>[0.004]        | 10,8<br>[0.425]       | Higher force                      |

# SE and XE Series

O.F. • Operating force  
 R.F. • Release force  
 P.T. • Pretravel  
 O.T. • Overtravel  
 D.T. • Differential travel  
 O.P. • Operating position

## MICRO SWITCH™ XE PRODUCT SPECIFICATIONS AND LISTINGS

Contact your Honeywell rep or distributor for additional listings

|   | Catalog Listing                       | Elect. Rating Spec. (page 5) | Contacts | Termination mm [in]           | O.F. g [oz]             | R.F. min. g [oz] | P.T. max. mm [in] | O.T. min. mm [in] | D.T. max. mm [in] | O.P. nom. mm [in] | Comment                           |
|---|---------------------------------------|------------------------------|----------|-------------------------------|-------------------------|------------------|-------------------|-------------------|-------------------|-------------------|-----------------------------------|
| <br>(see Figure 3)   | <b>1XE1*</b><br><b>[MS27994-1]</b>    | C                            | SPDT     | Wire leads<br>(3) 305<br>[12] | 142 to 482<br>[5 to 17] | 113 [4]          | 1,27<br>[0.050]   | 0,1<br>[0.004]    | 0,13<br>[0.005]   | 10,8<br>[0.425]   | MIL-PRF 8805 applications         |
|   | <b>1XE201*</b><br><b>[MS27994-4]</b>  | C                            | SPDT     | Wire leads<br>(3) 305<br>[12] | 142 to 482<br>[5 to 17] | 113 [4]          | 1,27<br>[0.050]   | 0,1<br>[0.004]    | 0,13<br>[0.005]   | 10,8<br>[0.425]   | MIL-PRF 8805 applications         |
|   | <b>1XE2-3</b>                         | C                            | SPNC     | Wire leads<br>(2) 914<br>[36] | 142 to 482<br>[5 to 17] | 113 [4]          | 1,27<br>[0.050]   | 0,1<br>[0.004]    | 0,13<br>[0.005]   | 10,8<br>[0.425]   | Normally closed circuit           |
|   | <b>1XE3</b>                           | C                            | SPNO     | Wire leads<br>(3) 305<br>[12] | 142 to 482<br>[5 to 17] | 113 [4]          | 1,27<br>[0.050]   | 0,1<br>[0.004]    | 0,13<br>[0.005]   | 10,8<br>[0.425]   | Normally open circuit             |
|   | <b>1XE301*</b><br><b>[MS27994-5]</b>  | F                            | SPDT     | Wire leads<br>(3) 305<br>[12] | 142 to 482<br>[5 to 17] | 113 [4]          | 1,27<br>[0.050]   | 0,1<br>[0.004]    | 0,13<br>[0.005]   | 10,8<br>[0.425]   | Gold bifurcated contacts          |
|   | <b>4XE1</b>                           | D                            | SPDT     | Wire leads<br>(3) 305<br>[12] | 142 to 482<br>[5 to 17] | 113 [4]          | 1,27<br>[0.050]   | 0,1<br>[0.004]    | 0,13<br>[0.005]   | 10,8<br>[0.425]   | UL                                |
|   | <b>5XE1</b>                           | C                            | SPDT     | Wire leads<br>(3) 305<br>[12] | 142 to 482<br>[5 to 17] | 113 [4]          | 1,27<br>[0.050]   | 0,1<br>[0.004]    | 0,13<br>[0.005]   | 10,8<br>[0.425]   | Oil resistant fluorosilicone seal |
|   | <b>14XE1</b>                          | E                            | SPDT     | Wire leads<br>(3) 305<br>[12] | 255 [9]<br>max.         | 57 [2]           | 0,76<br>[0.030]   | 0,1<br>[0.004]    | 0,13<br>[0.005]   | 10,9<br>[0.430]   | High temp.<br>149 °C<br>[300 °F]  |
| <br>(see Figure 4) | <b>1XE401-T</b>                       | F                            | SPDT     | Solder pins                   | 142 to 482<br>[5 to 17] | 85 [3]           | 1,27<br>[0.050]   | 0,1<br>[0.004]    | 0,13<br>[0.005]   | 10,8<br>[0.425]   | Gold bifurcated contacts          |
|   | <b>14XE1-T</b>                        | E                            | SPDT     | Solder pins                   | 255 [9]<br>max.         | 57 [2]           | 0,76<br>[0.030]   | 0,1<br>[0.004]    | 0,13<br>[0.005]   | 10,9<br>[0.430]   | High temp.<br>149 °C<br>[300 °F]  |
|   | <b>14XE1-T*</b><br><b>[MS27994-3]</b> | C                            | SPDT     | Solder pins                   | 142 to 482<br>[5 to 17] | 113 [4]          | 1,27<br>[0.050]   | 0,1<br>[0.004]    | 0,13<br>[0.005]   | 10,8<br>[0.425]   | Mil-PRF 8805                      |

\* Reference MIL-PRF-8805/32




# MICRO SWITCH™ Miniature Sealed Basic Switches

## MICRO SWITCH™ JE SERIES AUXILIARY ACTUATORS FOR THE MICRO SWITCH™ SE SERIES SWITCHES (specifications when assembled to 1SE1)

|       |  | Description  | Actuator Length       | Operating Force max. | Release Force min. | Pretravel max.        | Overtravel min.       | Differential Travel max. | Operating Point nom. | Free Position nom.   |
|-------|--|--|-----------------------|----------------------|--------------------|-----------------------|-----------------------|--------------------------|----------------------|----------------------|
| JE-1  | <br>(see Figure 5)    | Straight leaf<br>(mounting hardware included)                                  | 16,8 mm<br>[0.66 in]  | 340 g<br>[12 oz]     | 57 g<br>[2 oz]     | 3,81 mm<br>[0.150 in] | 0,38 mm<br>[0.015 in] | 0,64 mm<br>[0.025 in]    | 11,2 mm<br>[0.44 in] | 15 mm<br>[0.59 in]   |
| JE-4  | <br>(see Figure 6)    | Roller leaf, roller rotated 90° to switch axis<br>(mounting hardware included) | 16,8 mm<br>[0.66 in]  | 340 g<br>[12 oz]     | 57 g<br>[2 oz]     | 3,81 mm<br>[0.150 in] | 0,38 mm<br>[0.015 in] | 0,64 mm<br>[0.025 in]    | 16,3 mm<br>[0.64 in] | 20,1 mm<br>[0.79 in] |
| JE-5  | <br>(see Figure 7)    | Roller leaf<br>(mounting hardware included)                                    | 15,2 mm<br>[0.60 in]  | 340 g<br>[12 oz]     | 57 g<br>[2 oz]     | 3,81 mm<br>[0.150 in] | 0,38 mm<br>[0.015 in] | 0,64 mm<br>[0.025 in]    | 16,3 mm<br>[0.64 in] | 20,1 mm<br>[0.79 in] |
| JE-17 | <br>(see Figure 8)    | Roller leaf [reversed]<br>(mounting hardware included)                         | 15,2 mm<br>[0.60 in]  | 340 g<br>[12 oz]     | 57 g<br>[2 oz]     | 3,81 mm<br>[0.150 in] | 0,38 mm<br>[0.015 in] | 0,64 mm<br>[0.025 in]    | 16,3 mm<br>[0.64 in] | 20,1 mm<br>[0.79 in] |
| JE-21 | <br>(see Figure 9)  | Roller lever   | 13,7 mm<br>[0.540 in] | 170 g<br>[6 oz]      | 28 g<br>[1 oz]     | 2,54 mm<br>[0.100 in] | 0,25 mm<br>[0.01 in]  | 0,41 mm<br>[0.016 in]    | 16,3 mm<br>[0.64 in] | 18,8 mm<br>[0.74 in] |
| JE-22 | <br>(see Figure 10) | Tandem roller lever  | 17,8 mm<br>[0.700 in] | 482 g<br>[17 oz]     | 113 g<br>[4 oz]    | 2,54 mm<br>[0.100 in] | 0,15 mm<br>[0.006 in] | 0,3 mm<br>[0.012 in]     | 16,8 mm<br>[0.66 in] | 19,3 mm<br>[0.76 in] |

\*\* Travel characteristics on tandem actuators vary with actual basic switch characteristics

## MICRO SWITCH™ JM SERIES AUXILIARY ACTUATORS FOR THE MICRO SWITCH™ XE SERIES SWITCHES (specifications when assembled to 1XE1)

|      |  | Description                                   | Actuator Length      | Operating Force max. | Release Force min. | Pretravel max.        | Overtravel min.       | Differential Travel max. | Operating Point nom.  | Free Position nom.   |
|------|--|---|----------------------|----------------------|--------------------|-----------------------|-----------------------|--------------------------|-----------------------|----------------------|
| JM-1 | <br>(see Figure 11) | Straight leaf<br>(mounting hardware included) | 11,4 mm<br>[0.45 in] | 595 g<br>[21 oz]     | 85 g<br>[3 oz]     | 3,18 mm<br>[0.125 in] | 0,23 mm<br>[0.009 in] | 0,3 mm<br>[0.012 in]     | 10,8 mm<br>[0.425 in] | 14 mm<br>[0.55 in]   |
| JM-5 | <br>(see Figure 12) | Roller leaf<br>(mounting hardware included)   | 9,5 mm<br>[0.375 in] | 595 g<br>[21 oz]     | 85 g<br>[3 oz]     | 3,18 mm<br>[0.125 in] | 0,23 mm<br>[0.009 in] | 0,3 mm<br>[0.012 in]     | 15,9 mm<br>[0.625 in] | 19,1 mm<br>[0.75 in] |

\*\* Travel characteristics on tandem actuators vary with actual basic switch characteristics

# SE and XE Series

## PRODUCT AND ACTUATOR DIMENSIONS

Figure 1. MICRO SWITCH™ SE Dimensions, Wire Lead



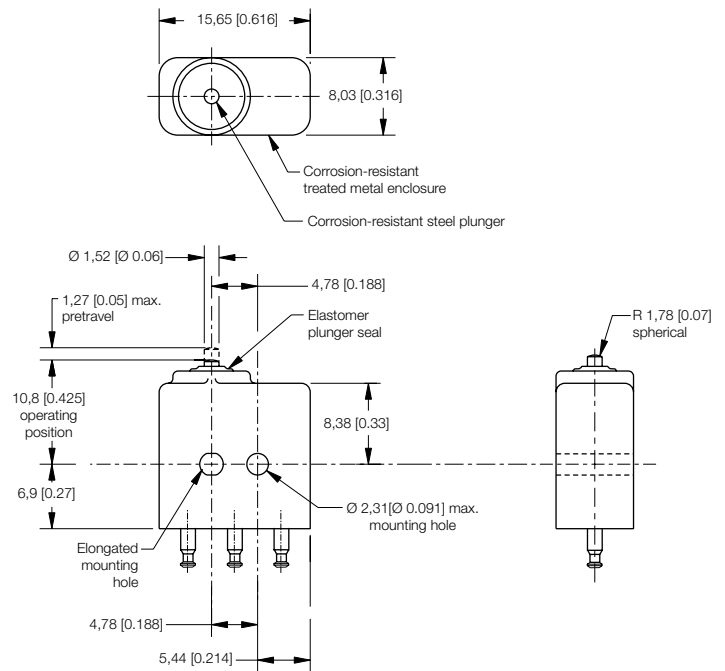
Figure 2. MICRO SWITCH™ SE Dimensions, Solder Terminal



Figure 3. MICRO SWITCH™ XE Dimensions, Wire Lead



Figure 4. MICRO SWITCH™ XE Dimensions, Solder Terminal



# MICRO SWITCH™ Miniature Sealed Basic Switches

Figure 5. JE-1 Dimensions

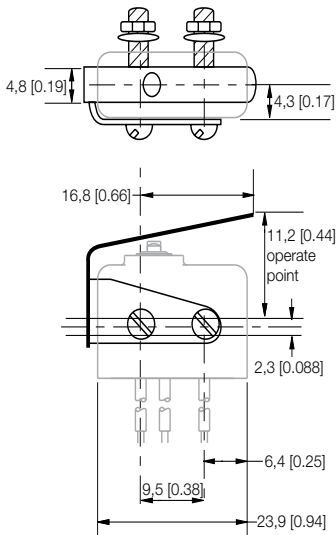


Figure 6. JE-4 Dimensions

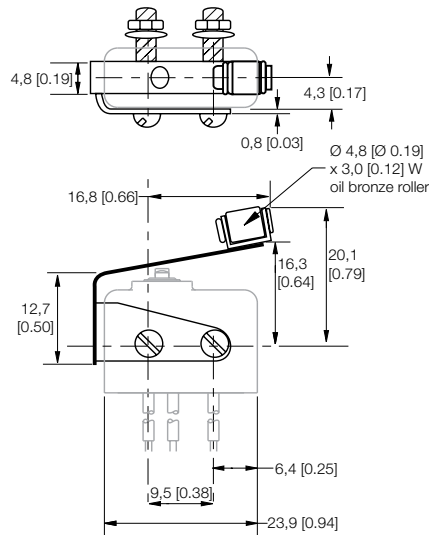


Figure 7. JE-5 Dimensions

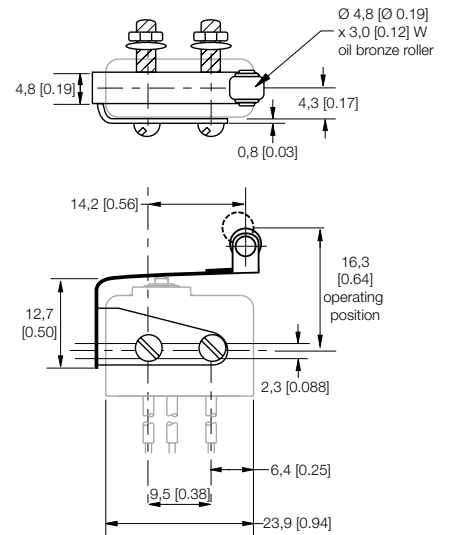


Figure 8. JE-17 Dimensions

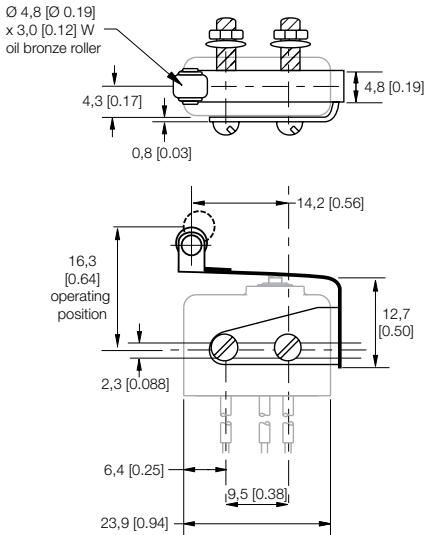


Figure 9. JE-21 Dimensions

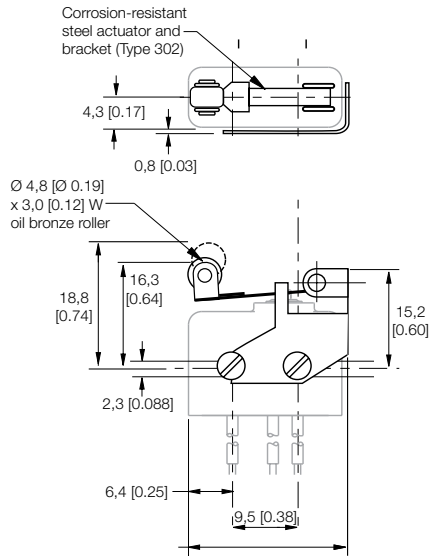


Figure 10. JE-22 Dimensions

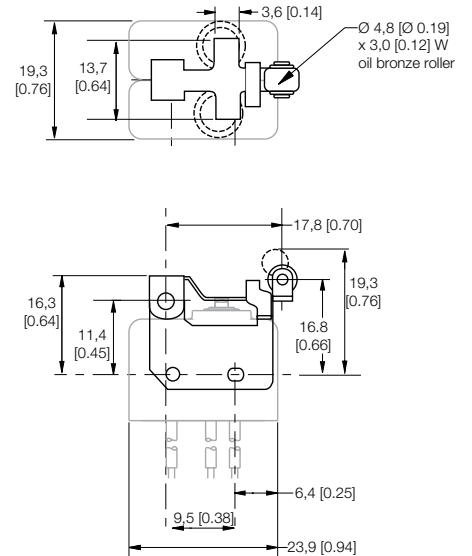


Figure 11. JM-1 Dimensions

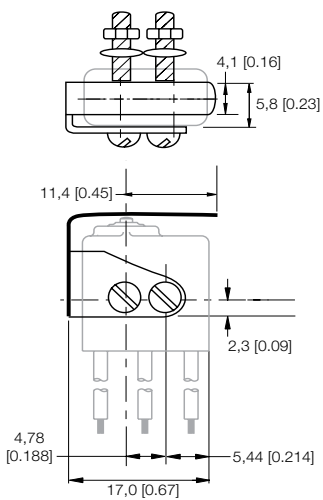
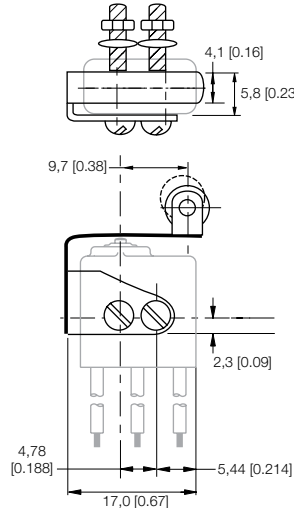


Figure 12. JM-5 Dimensions



# SE and XE Series

This Honeywell datasheet supports the following MICRO SWITCH™ SE/XE Series Basic Switch Listings

|           |           |           |              |
|-----------|-----------|-----------|--------------|
| 12SE2     | 1SE3-12   | 1XE313    | 5SE223-6     |
| 12SE3-3   | 1SE3-2    | 1XE314    | 5SE3-3       |
| 12SE42    | 1SE3-3    | 1XE315    | 5SE3-6       |
| 12SE4-2   | 1SE3-3N26 | 1XE316    | 5SE3-N43     |
| 12SE4-T   | 1SE36     | 1XE3-4    | 5SE401-T     |
| 12SE5-T   | 1SE3-6    | 1XE401-6  | 5SE-N2       |
| 12SE6     | 1SE3-N26  | 1XE401-T  | 5XE1         |
| 12SE7     | 1SE3-T    | 1XE41     | 5XE1-6       |
| 14XE1     | 1SE401    | 1XE70     | 5XE17        |
| 14XE1-12  | 1SE401-3  | 1XE79-3   | 5XE17-2      |
| 14XE1-6   | 1SE401-6  | 1XE8      | 5XE18        |
| 14XE17    | 1SE402-3  | 1XE83     | 5XE1-T       |
| 14XE17-T  | 1SE402-6  | 1XE92     | 5XE401-1     |
| 14XE1-T   | 1SE403    | 1XE97     | 5XE401-T     |
| 14XE24    | 1SE4-2    | 1XE99-T   | 5XE75        |
| 14XE4     | 1SE61-T   | 2SE156-3  | 6SE1         |
| 14XE65    | 1SE65     | 2SE157-3  | 6SE173       |
| 14XE66    | 1SE65-N64 | 2SE321    | 6SE175-3     |
| 1SE1      | 1SE65-N65 | 2SE322    | 6SE315       |
| 1SE105    | 1SE65-N82 | 2SE323    | 6SE801       |
| 1SE112    | 1SE7      | 2SE4      | 6SE803       |
| 1SE1-12   | 1SE7-3    | 2SE6      | 6XE21-4      |
| 1SE113-3  | 1SE-N21   | 2SE62     | 6XE27-1      |
| 1SE114-8  | 1XE1      | 2SE89     | 6XE60-4      |
| 1SE118-8  | 1XE122    | 2XE59     | 7SE1         |
| 1SE119    | 1XE1-3    | 2XE68     | 7SE19        |
| 1SE1-2    | 1XE1-6    | 39SE10    | 7SE1-T       |
| 1SE120    | 1XE17     | 39SE11    | 7SE9-T       |
| 1SE1-3    | 1XE18     | 39SE21    | 7XE1         |
| 1SE1-3N26 | 1XE1-GN6  | 39SE22-R  | 91SE1        |
| 1SE144    | 1XE1-T    | 39SE7     | 91SE1-12     |
| 1SE144-6  | 1XE201    | 39SE8     | 91SE1-3      |
| 1SE146-3  | 1XE202    | 39SE9     | 91SE13-3     |
| 1SE1-6    | 1XE203    | 39XE400-1 | 91SE1-3N55   |
| 1SE1-6N26 | 1XE204    | 39XE96    | 91SE1-3N62   |
| 1SE178    | 1XE205    | 4SE1      | 91SE1-3N69   |
| 1SE193    | 1XE206    | 4SE1-3    | 91SE1-3N85   |
| 1SE197    | 1XE207    | 4SE1-6    | 91SE1-4      |
| 1SE198    | 1XE21     | 4SE171    | 91SE14-1GN70 |
| 1SE1-H58  | 1XE2-1    | 4XE1      | 91SE141GN77  |
| 1SE1-N79  | 1XE214    | 4XE1-4    | 91SE14-1GN77 |
| 1SE1-T    | 1XE217    | 5SE1      | 91SE14-1N71  |
| 1SE2      | 1XE22     | 5SE1-12   | 91SE14-1N78  |
| 1SE201    | 1XE2-2    | 5SE1-3    | 91SE1-6      |
| 1SE202    | 1XE2-3    | 5SE1-6    | 91SE1N72     |
| 1SE209    | 1XE24-2   | 5SE166-12 | 91SE1-TG     |
| 1SE211    | 1XE25-2   | 5SE1-6N26 | 91SE2        |
| 1SE216-6  | 1XE2-6    | 5SE175-12 | 91SE2-3      |
| 1SE227    | 1XE26-2   | 5SE183-2  | 91SE2-6      |
| 1SE2-3    | 1XE27-2   | 5SE1-N27  | 91SE3        |
| 1SE25-10  | 1XE3      | 5SE1-T    | 91SE3-3      |
| 1SE26     | 1XE301    | 5SE2-1    | 91SE3-3N52   |
| 1SE2-6    | 1XE304    | 5SE218    | 91SE3-GN67   |
| 1SE2-T    | 1XE306    | 5SE2181-3 | 91SE3-N52    |
| 1SE3      | 1XE311    | 5SE218-3  | 91SE3-N84    |

# MICRO SWITCH™ Miniature Sealed Basic Switches

## ADDITIONAL INFORMATION

The following associated literature is available on the Honeywell web site at [sensing.honeywell.com](http://sensing.honeywell.com):

- Product installation instructions
- Product range guide
- Aerospace and defense range guide

### **WARNING**

#### **PERSONAL INJURY**

**DO NOT USE** these products as safety or emergency stop devices or in any other application where failure of the product could result in personal injury.

**Failure to comply with these instructions could result in death or serious injury.**

### **WARNING**

#### **MISUSE OF DOCUMENTATION**

- The information presented in this product sheet is for reference only. Do not use this document as a product installation guide.
- Complete installation, operation, and maintenance information is provided in the instructions supplied with each product.

**Failure to comply with these instructions could result in death or serious injury.**

## WARRANTY/REMEDY

Honeywell warrants goods of its manufacture as being free of defective materials and faulty workmanship. Honeywell's standard product warranty applies unless agreed to otherwise by Honeywell in writing; please refer to your order acknowledgement or consult your local sales office for specific warranty details. If warranted goods are returned to Honeywell during the period of coverage, Honeywell will repair or replace, at its option, without charge those items it finds defective. **The foregoing is buyer's sole remedy and is in lieu of all other warranties, expressed or implied, including those of merchantability and fitness for a particular purpose. In no event shall Honeywell be liable for consequential, special, or indirect damages.**

While we provide application assistance personally, through our literature and the Honeywell website, it is up to the customer to determine the suitability of the product in the application.

Specifications may change without notice. The information we supply is believed to be accurate and reliable as of this printing. However, we assume no responsibility for its use.

**Find out more**

Honeywell serves its customers through a worldwide network of sales offices, representatives and distributors. For application assistance, current specifications, pricing or name of the nearest Authorized Distributor, contact your local sales office.

To learn more about Honeywell's sensing and control products, call **+1-815-235-6847** or **1-800-537-6945**, visit **sensing.honeywell.com**, or e-mail inquiries to **info.sc@honeywell.com**

Sensing and Control  
Honeywell  
1985 Douglas Drive North  
Golden Valley, MN 55422  
**honeywell.com**

The Honeywell logo is displayed in a bold, red, sans-serif font.



Компания «ЭлектроПласт» предлагает заключение долгосрочных отношений при поставках импортных электронных компонентов на взаимовыгодных условиях!

Наши преимущества:

- Оперативные поставки широкого спектра электронных компонентов отечественного и импортного производства напрямую от производителей и с крупнейших мировых складов;
- Поставка более 17-ти миллионов наименований электронных компонентов;
- Поставка сложных, дефицитных, либо снятых с производства позиций;
- Оперативные сроки поставки под заказ (от 5 рабочих дней);
- Экспресс доставка в любую точку России;
- Техническая поддержка проекта, помощь в подборе аналогов, поставка прототипов;
- Система менеджмента качества сертифицирована по Международному стандарту ISO 9001;
- Лицензия ФСБ на осуществление работ с использованием сведений, составляющих государственную тайну;
- Поставка специализированных компонентов (Xilinx, Altera, Analog Devices, Intersil, Interpoint, Microsemi, Aeroflex, Peregrine, Syfer, Eurofarad, Texas Instrument, Miteq, Cobham, E2V, MA-COM, Hittite, Mini-Circuits, General Dynamics и др.);

Помимо этого, одним из направлений компании «ЭлектроПласт» является направление «Источники питания». Мы предлагаем Вам помощь Конструкторского отдела:

- Подбор оптимального решения, техническое обоснование при выборе компонента;
- Подбор аналогов;
- Консультации по применению компонента;
- Поставка образцов и прототипов;
- Техническая поддержка проекта;
- Защита от снятия компонента с производства.



#### Как с нами связаться

**Телефон:** 8 (812) 309 58 32 (многоканальный)

**Факс:** 8 (812) 320-02-42

**Электронная почта:** [org@eplast1.ru](mailto:org@eplast1.ru)

**Адрес:** 198099, г. Санкт-Петербург, ул. Калинина, дом 2, корпус 4, литера А.