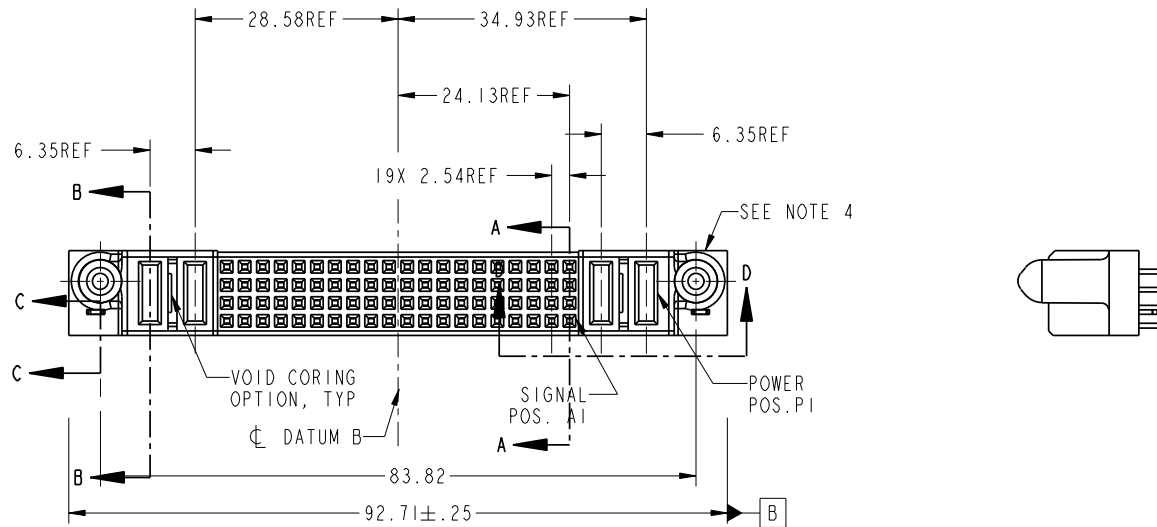


Tous droits strictement reserves. Reproduction ou communication a des tiers interdite sous quelque forme que ce soit sans autorisation écrite du propriétaire. Propriété de c FCI. Droits de reproduction FCI.



All rights strictly reserved. Reproduction or issue to third parties in any form whatever is not permitted without written authority from the proprietor. Property of FCI. Copyright FCI.

| PRODUCT NO.            | ROW S            | POWER |    | SIGNAL |    |    |    |    |    |    |    |    |    |    |    |    |    |    |    | POWER |    |    |    |    |    |    |    |
|------------------------|------------------|-------|----|--------|----|----|----|----|----|----|----|----|----|----|----|----|----|----|----|-------|----|----|----|----|----|----|----|
|                        |                  | E2    | P4 | P3     | 20 | 19 | 18 | 17 | 16 | 15 | 14 | 13 | 12 | 11 | 10 | 9  | 8  | 7  | 6  | 5     | 4  | 3  | 2  | 1  | P2 | P1 | E1 |
| 51750-033--<br>NOTE: 3 | D<br>C<br>B<br>A |       | PA | PD     | EE | EE | EE | EE | EE | EE | EE | EE | EE | EE | EE | EE | EE | EE | EE | EE    | EE | EE | EE | EE | PD | PA |    |



| CODE | DIM "M"<br>MATING<br>LENGTH | CONTACT<br>TYPE |
|------|-----------------------------|-----------------|
| E    | [N/A]                       | SIGNAL          |
| PA   | [1.07]                      | POWER           |
| PD   | [2.34]                      | POWER           |
| HA   | [N/A]                       | HOLD-DOWN       |

|             |           |       |          |          |              |                                       |  |            |       |                            |                |          |        |
|-------------|-----------|-------|----------|----------|--------------|---------------------------------------|--|------------|-------|----------------------------|----------------|----------|--------|
| mat'l code  |           |       |          | SEE NOTE |              | tolerances unless otherwise specified |  | CUSTOMER   |       | FCI                        |                |          |        |
| ltr         | ecn no.   | dr    | date     | linear   |              | 0.X ± 0.3                             |  | COPY       |       | www.fciconnect.com         |                |          |        |
| A           | V21056    | DA1   | 06/13/02 |          |              | 0.XX ± 0.13                           |  | projection |       | title                      |                |          |        |
| B           | V21494    | TAB   | 09/18/02 |          |              | 0.XXX ± 0.051                         |  |            |       | 2P + 80S + 2P              |                |          |        |
| C           | DG07-0157 | JUL1A | 04/17/07 | angles   |              | 0° ± 2°                               |  |            |       | VERTICAL SOLDER RECEPTACLE |                |          |        |
|             |           |       |          | dr       | D. INGRAM    | 06/13/02                              |  |            |       |                            | product family | PwrBlade | code   |
|             |           |       |          | engr     | M. MOSTOLLER | 06/13/02                              |  |            | scale |                            | size           | dwg no   | 213    |
|             |           |       |          | chr      | M. MOSTOLLER | 06/12/02                              |  |            | 1:1   |                            | 51750-033      |          | sheet  |
|             |           |       |          | appd     | M. MOSTOLLER | 06/12/02                              |  |            |       |                            | A              |          | 1 of 4 |
| sheet index | revision  | C C   |          | C C      |              |                                       |  |            |       |                            |                |          |        |
|             | sheet     | 1 2   |          | 3 4      |              |                                       |  |            |       |                            |                |          |        |

cage code 22526

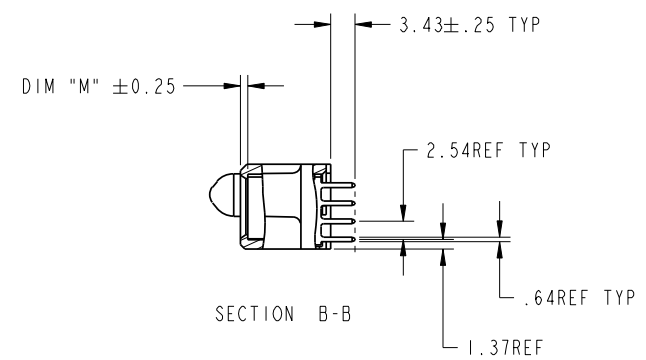
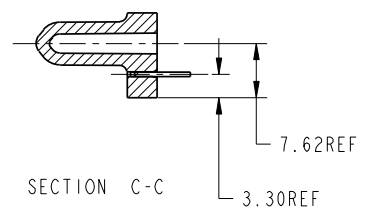
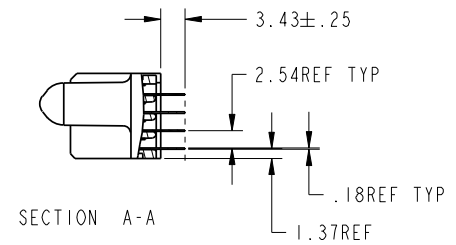
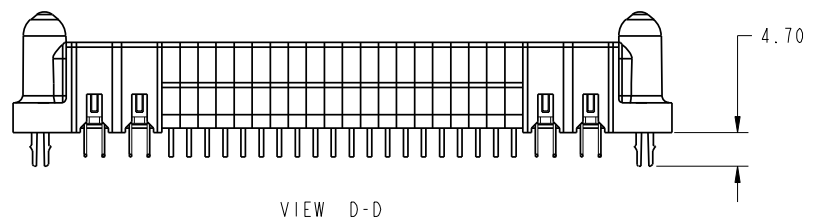
Pro/E

Tous droits strictement reserves. Reproduction ou communication a des tiers interdite sous quelque forme que ce soit sans autorisation ecrite du proprietaire. Propriete de c FCI. Droits de reproduction FCI.



All rights strictly reserved. Reproduction or issue to third parties in any form whatever is not permitted without written authority from the proprietor. Property of FCI. Copyright FCI.

PRODUCT NUMBER  
51750-033--  
NOTE: 3



|             |                |    |      |          |                       |                                       |  |                            |  |                    |  |
|-------------|----------------|----|------|----------|-----------------------|---------------------------------------|--|----------------------------|--|--------------------|--|
| mat'l code  |                |    |      | SEE NOTE |                       | tolerances unless otherwise specified |  | CUSTOMER                   |  | FCI                |  |
| lfr         | ecn no.        | dr | date | linear   | 0.X ± 0.3             | projection                            |  | COPY                       |  | www.fciconnect.com |  |
| C           |                |    |      | angles   | 0.XX ± 0.13           | MM                                    |  | title                      |  | 2P + 80S + 2P      |  |
|             |                |    |      | dr       | 0.XXX ± 0.051         | 1:1                                   |  | VERTICAL SOLDER RECEPTACLE |  | product family     |  |
|             |                |    |      | enrg     | 0° ± 2°               |                                       |  | product family             |  | PwrBlade           |  |
|             |                |    |      | chr      | D. INGRAM 06/13/02    |                                       |  | size                       |  | code               |  |
|             |                |    |      | appd     | M. MOSTOLLER 06/13/02 |                                       |  | dwg no                     |  | 213                |  |
|             |                |    |      |          | M. MOSTOLLER 06/12/02 |                                       |  | 51750-033                  |  | sheet              |  |
|             |                |    |      |          | M. MOSTOLLER 06/12/02 |                                       |  | A                          |  | 2 of 4             |  |
| sheet index | revision sheet |    |      |          |                       |                                       |  |                            |  |                    |  |

cage code 22526

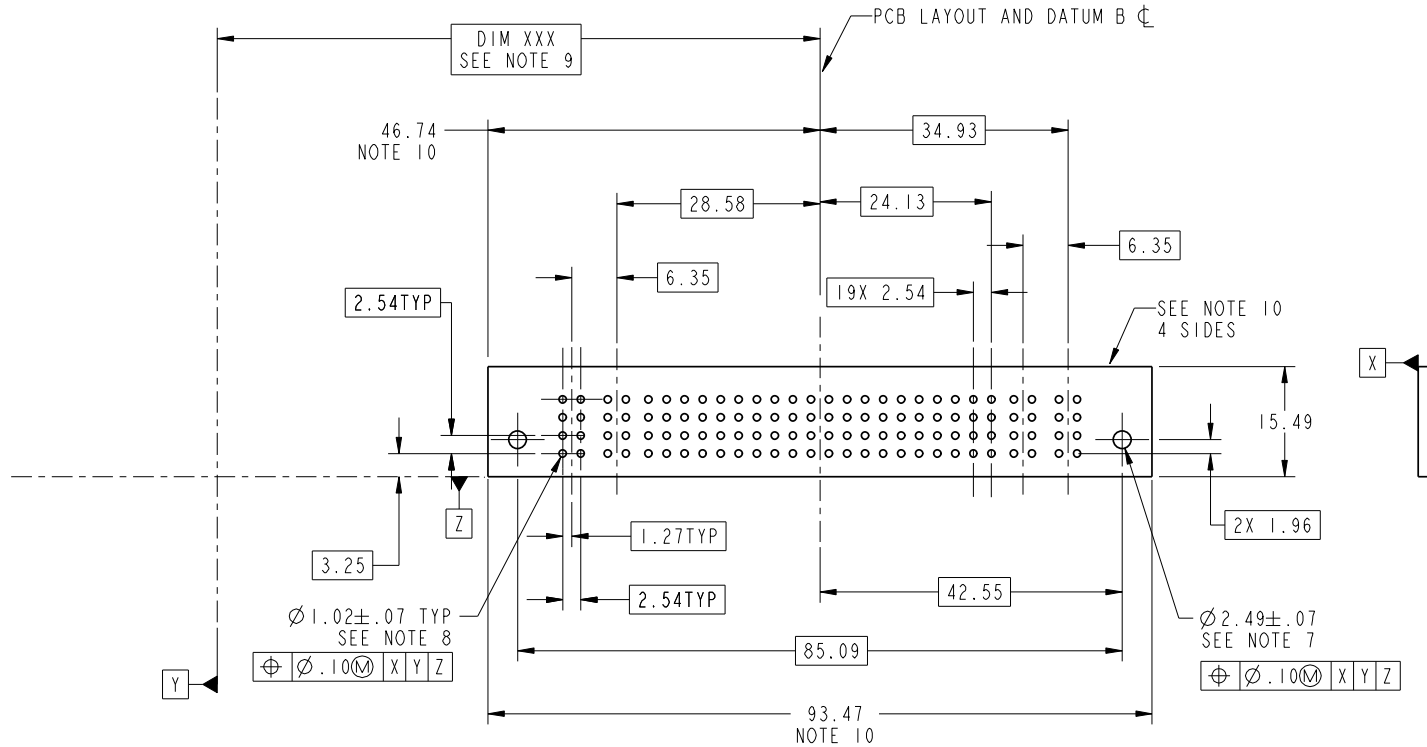
Pro/E

Tous droits strictement reserves. Reproduction ou communication a des tiers interdite sous quelque forme que ce soit sans autorisation écrite du propriétaire. Propriete de c FCI. Droits de reproduction FCI.



All rights strictly reserved. Reproduction or issue to third parties in any form whatever is not permitted without written authority from the proprietor. Property of FCI. Copyright FCI.

PRODUCT NUMBER  
51750-033--  
NOTE: 3



|             |                |    |      |          |              |                                       |  |          |  |                |  |                    |  |  |
|-------------|----------------|----|------|----------|--------------|---------------------------------------|--|----------|--|----------------|--|--------------------|--|--|
| mat'l code  |                |    |      | SEE NOTE |              | tolerances unless otherwise specified |  | CUSTOMER |  | FCI            |  | www.fciconnect.com |  |  |
| lfr         | ecr no.        | dr | date | linear   | 0.X ±0.3     | projection                            |  | COPY     |  | title          |  |                    |  |  |
| C           |                |    |      | angles   | 0.XX ±0.13   | 0° ±2°                                |  | MM       |  | 2P + 80S + 2P  |  |                    |  |  |
|             |                |    |      | dr       | 0.XXX ±0.051 | D. INGRAM 06/13/02                    |  | A        |  | product family |  | code               |  |  |
|             |                |    |      | enrg     |              | M.MOSTOLLER 06/13/02                  |  | 1:1      |  | PwrBlade       |  | 213                |  |  |
|             |                |    |      | chr      |              | M.MOSTOLLER 06/12/02                  |  | A        |  | size           |  | sheet              |  |  |
|             |                |    |      | appd     |              | M.MOSTOLLER 06/12/02                  |  | A        |  | 51750-033      |  | 3 of 4             |  |  |
| sheet index | revision sheet |    |      |          |              |                                       |  |          |  |                |  |                    |  |  |

cage code 22526

Pro/E

Tous droits strictement réservés. Reproduction ou communication a des tiers interdite sous quelque forme que ce soit sans autorisation écrite du propriétaire. Propriété de c FCI. Droits de reproduction FCI.



All rights strictly reserved. Reproduction or issue to third parties in any form whatever is not permitted without written authority from the proprietor. Property of FCI. Copyright FCI.

PRODUCT NUMBER  
51750-033--  
NOTE: 3

NOTES:

1. DIMENSIONS AND TOLERANCES ARE IN ACCORDANCE WITH ASME Y14.5M, 1994 UNLESS OTHERWISE SPECIFIED.

CONNECTOR NOTES:

- 2. HOUSING MATERIAL: UL 94 V-0 GLASS FILLED HIGH-TEMP THERMOPLASTIC  
POWER CONTACT MATERIAL: COPPER ALLOY  
SIGNAL PIN MATERIAL: COPPER ALLOY
- 3. PLATING SPEC.  
51750-033,51750-033LF PLATING SPEC. WAS SHOWN IN THE PRINT OF 10064183.
- 4. MANUFACTURER'S NAME, P/N, AND DATE CODE TO APPEAR ON THIS SURFACE.
- 5. PRODUCT SPECIFICATION GS-12-149.  
APPLICATION SPECIFICATION BUS-20-067.

PCB NOTES:

- 6. ALL HOLE DIAMETERS ARE FINISHED HOLE SIZE.
- 7. MOUNTING HOLES, WHERE APPLICABLE, ARE UNPLATED.
- 8.  $\varnothing 1.151 \pm 0.025$  DRILLED HOLES PLATED WITH 0.008 MIN SnPb OR Sn OVER 0.03 TO 0.08 Cu PLATING TO ACHIEVE  $\varnothing 1.02 \pm 0.07$  HOLE.
- 9. "DIM XXX" TO BE DETERMINED BY THE CUSTOMER.
- 10. CONNECTOR KEEP-OUT ZONE.

|             |         |                |      |          |              |                                       |  |                |  |                            |  |                    |  |
|-------------|---------|----------------|------|----------|--------------|---------------------------------------|--|----------------|--|----------------------------|--|--------------------|--|
| mat'l code  |         |                |      | SEE NOTE |              | tolerances unless otherwise specified |  | CUSTOMER       |  | FCI                        |  | www.fciconnect.com |  |
| lfr         | ecr no. | dr             | date | linear   | 0.X ±0.3     | COPY                                  |  | projection     |  | title                      |  |                    |  |
| c           |         |                |      |          | 0.XX ±0.13   |                                       |  |                |  | 2P + 80S + 2P              |  |                    |  |
|             |         |                |      | angles   | 0.XXX ±0.051 |                                       |  |                |  | VERTICAL SOLDER RECEPTACLE |  |                    |  |
|             |         |                |      | dr       | 0° ±2°       | D. INGRAM 06/13/02                    |  | product family |  | PwrBlade                   |  | code               |  |
|             |         |                |      | enrg     |              | M.MOSTOLLER 06/13/02                  |  | size           |  | dwg no                     |  | 213                |  |
|             |         |                |      | chr      |              | M.MOSTOLLER 06/12/02                  |  | scale          |  | 51750-033                  |  | sheet              |  |
|             |         |                |      | appd     |              | M.MOSTOLLER 06/12/02                  |  | 1:1            |  | A                          |  | 4 of 4             |  |
| sheet index |         | revision sheet |      |          |              |                                       |  |                |  |                            |  |                    |  |

A

A

B

B

1 | 2

3 |

4

1 | 2

Pro/E

3 |

cage code 22526

4



Компания «ЭлектроПласт» предлагает заключение долгосрочных отношений при поставках импортных электронных компонентов на взаимовыгодных условиях!

Наши преимущества:

- Оперативные поставки широкого спектра электронных компонентов отечественного и импортного производства напрямую от производителей и с крупнейших мировых складов;
- Поставка более 17-ти миллионов наименований электронных компонентов;
- Поставка сложных, дефицитных, либо снятых с производства позиций;
- Оперативные сроки поставки под заказ (от 5 рабочих дней);
- Экспресс доставка в любую точку России;
- Техническая поддержка проекта, помощь в подборе аналогов, поставка прототипов;
- Система менеджмента качества сертифицирована по Международному стандарту ISO 9001;
- Лицензия ФСБ на осуществление работ с использованием сведений, составляющих государственную тайну;
- Поставка специализированных компонентов (Xilinx, Altera, Analog Devices, Intersil, Interpoint, Microsemi, Aeroflex, Peregrine, Syfer, Eurofarad, Texas Instrument, Miteq, Cobham, E2V, MA-COM, Hittite, Mini-Circuits, General Dynamics и др.);

Помимо этого, одним из направлений компании «ЭлектроПласт» является направление «Источники питания». Мы предлагаем Вам помощь Конструкторского отдела:

- Подбор оптимального решения, техническое обоснование при выборе компонента;
- Подбор аналогов;
- Консультации по применению компонента;
- Поставка образцов и прототипов;
- Техническая поддержка проекта;
- Защита от снятия компонента с производства.



#### Как с нами связаться

**Телефон:** 8 (812) 309 58 32 (многоканальный)

**Факс:** 8 (812) 320-02-42

**Электронная почта:** [org@eplast1.ru](mailto:org@eplast1.ru)

**Адрес:** 198099, г. Санкт-Петербург, ул. Калинина, дом 2, корпус 4, литера А.