

PKM 2000E PI series Direct Converters
Input 18-36 V, Output up to 25 A / 82.5 W

EN/LZT 146 419 R4A Oct. 2017

© Flex

Key Features

- Industry standard low profile Eighth-brick
57.9 x 36.8 x 8.5 mm (2.28 x 1.45 x 0.33 in.)
- Low profile, max 8.5 mm (0.33 in.)
- High efficiency, typ. 92.5% at 3.3Vout half load
- 1500 Vdc input to output isolation
- Meets equivalent to basic insulation safety requirements according to IEC/EN/UL 60950-1
- MTBF 4.99 Mh



General Characteristics

- Narrow board pitch applications (15 mm/0.6 in.)
- Output over voltage protection
- Input under voltage shutdown
- Over temperature protection
- Monotonic start-up
- Output short-circuit protection
- Remote sense
- Remote control
- Output voltage adjust function
- Highly automated manufacturing ensures quality
- ISO 9001/14001 certified supplier

Safety Approvals



Design for Environment



Meets requirements in high-temperature lead-free soldering processes.

Contents

Ordering Information	2
General Information	2
Safety Specification	3
Absolute Maximum Ratings	4
Electrical Specification	
3.3V, 25A / 82.5W	PKM 2810E PI 5
5V, 16.5A / 82.5W	PKM 2811E PI 9
EMC Specification	13
Operating Information	14
Thermal Consideration	15
Connections	17
Mechanical Information	18
Soldering Information	21
Delivery Information	21
Product Qualification Specification	22

PKM 2000E PI series Direct Converters
Input 18-36 V, Output up to 25 A / 82.5 W

EN/LZT 146 419 R4A Oct. 2017

© Flex

Ordering Information

Product program	Output
PKM 2810E PI	3.3 V, 25 A / 82.5 W
PKM 2811E PI	5 V, 16.5 A / 82.5 W

Product number and Packaging

PKM 2810E PI n ₁ n ₂ n ₃ n ₄				
Options	n ₁	n ₂	n ₃	n ₄
Mounting	o			
Remote Control logic		o		
Lead length			o	
Delivery package information				o

Options	Description
n ₁	P Negative * Positive
n ₂	HS Open frame * Baseplate
n ₃	LA 5.30 mm * 3.69 mm
n ₄	/B Tray

Example: a standard positive logic, baseplate product would be PKM2810EPIPHS.

* Standard variant (i.e. no option selected).

General Information

Reliability

The failure rate (λ) and mean time between failures (MTBF = $1/\lambda$) is calculated at max output power and an operating ambient temperature (T_A) of +40°C. Flex uses Telcordia SR-332 Issue 2 Method 1 to calculate the mean steady-state failure rate and standard deviation (σ).

Telcordia SR-332 Issue 2 also provides techniques to estimate the upper confidence levels of failure rates based on the mean and standard deviation.

Mean steady-state failure rate, λ	Std. deviation, σ
201 nFailures/h	34.1 nFailures/h

MTBF (mean value) for the PKU 70w series = 4.99 Mh.

MTBF at 90% confidence level = 4.09 Mh

Compatibility with RoHS requirements

The products are compatible with the relevant clauses and requirements of the RoHS directive 2002/95/EC and have a maximum concentration value of 0.1% by weight in homogeneous materials for lead, mercury, hexavalent chromium, PBB and PBDE and of 0.01% by weight in homogeneous materials for cadmium.

Exemptions in the RoHS directive utilized in Flex products are found in the Statement of Compliance document.

Flex fulfills and will continuously fulfill all its obligations under regulation (EC) No 1907/2006 concerning the registration, evaluation, authorization and restriction of chemicals (REACH) as they enter into force and is through product materials declarations preparing for the obligations to communicate information on substances in the products.

Quality Statement

The products are designed and manufactured in an industrial environment where quality systems and methods like ISO 9000, Six Sigma, and SPC are intensively in use to boost the continuous improvements strategy. Infant mortality or early failures in the products are screened out and they are subjected to an ATE-based final test. Conservative design rules, design reviews and product qualifications, plus the high competence of an engaged work force, contribute to the high quality of the products.

Warranty

Warranty period and conditions are defined in Flex General Terms and Conditions of Sale.

Limitation of Liability

Flex does not make any other warranties, expressed or implied including any warranty of merchantability or fitness for a particular purpose (including, but not limited to, use in life support applications, where malfunctions of product can cause injury to a person's health or life).

© Flex 2017

The information and specifications in this technical specification is believed to be correct at the time of publication. However, no liability is accepted for inaccuracies, printing errors or for any consequences thereof. Flex reserves the right to change the contents of this technical specification at any time without prior notice.

PKM 2000E PI series Direct Converters Input 18-36 V, Output up to 25 A / 82.5 W	EN/LZT 146 419 R4A Oct. 2017
	© Flex

Safety Specification

General information

Flex DC/DC converters and DC/DC regulators are designed in accordance with safety standards IEC/EN/UL 60950-1 *Safety of Information Technology Equipment*.

IEC/EN/UL 60950-1 contains requirements to prevent injury or damage due to the following hazards:

- Electrical shock
- Energy hazards
- Fire
- Mechanical and heat hazards
- Radiation hazards
- Chemical hazards

On-board DC/DC converters and DC/DC regulators are defined as component power supplies. As components they cannot fully comply with the provisions of any safety requirements without "Conditions of Acceptability". Clearance between conductors and between conductive parts of the component power supply and conductors on the board in the final product must meet the applicable safety requirements. Certain conditions of acceptability apply for component power supplies with limited stand-off (see Mechanical Information for further information). It is the responsibility of the installer to ensure that the final product housing these components complies with the requirements of all applicable safety standards and regulations for the final product.

Component power supplies for general use should comply with the requirements in IEC 60950-1, EN 60950-1 and UL 60950-1 *Safety of Information Technology Equipment*. There are other more product related standards, e.g. IEEE 802.3 CSMA/CD (*Ethernet*) *Access Method*, and ETS-300132-2 *Power supply interface at the input to telecommunications equipment, operated by direct current (dc)*, but all of these standards are based on IEC/EN/UL 60950-1 with regards to safety.

Flex DC/DC converters and DC/DC regulators are UL 60950-1 recognized and certified in accordance with EN 60950-1.

The flammability rating for all construction parts of the products meet requirements for V-0 class material according to IEC 60695-11-10, *Fire hazard testing, test flames* – 50 W horizontal and vertical flame test methods.

The products should be installed in the end-use equipment, in accordance with the requirements of the ultimate application. Normally the output of the DC/DC converter is considered as SELV (Safety Extra Low Voltage) and the input source must be isolated by minimum Double or Reinforced Insulation from the primary circuit (AC mains) in accordance with IEC/EN/UL 60950-1.

Isolated DC/DC converters

It is recommended that a slow blow fuse is to be used at the input of each DC/DC converter. If an input filter is used in the circuit the fuse should be placed in front of the input filter.

In the rare event of a component problem that imposes a short circuit on the input source, this fuse will provide the following functions:

- Isolate the fault from the input power source so as not to affect the operation of other parts of the system.
- Protect the distribution wiring from excessive current and power loss thus preventing hazardous overheating.

The galvanic isolation is verified in an electric strength test. The test voltage (V_{iso}) between input and output is 1500 Vdc or 2250 Vdc (refer to product specification).

24 V DC systems

The input voltage to the DC/DC converter is SELV (Safety Extra Low Voltage) and the output remains SELV under normal and abnormal operating conditions.

48 and 60 V DC systems

If the input voltage to the DC/DC converter is 75 Vdc or less, then the output remains SELV (Safety Extra Low Voltage) under normal and abnormal operating conditions.

Single fault testing in the input power supply circuit should be performed with the DC/DC converter connected to demonstrate that the input voltage does not exceed 75 Vdc.

If the input power source circuit is a DC power system, the source may be treated as a TNV-2 circuit and testing has demonstrated compliance with SELV limits in accordance with IEC/EN/UL60950-1.

PKM 2000E PI series Direct Converters
 Input 18-36 V, Output up to 25 A / 82.5 W

EN/LZT 146 419 R4A Oct. 2017

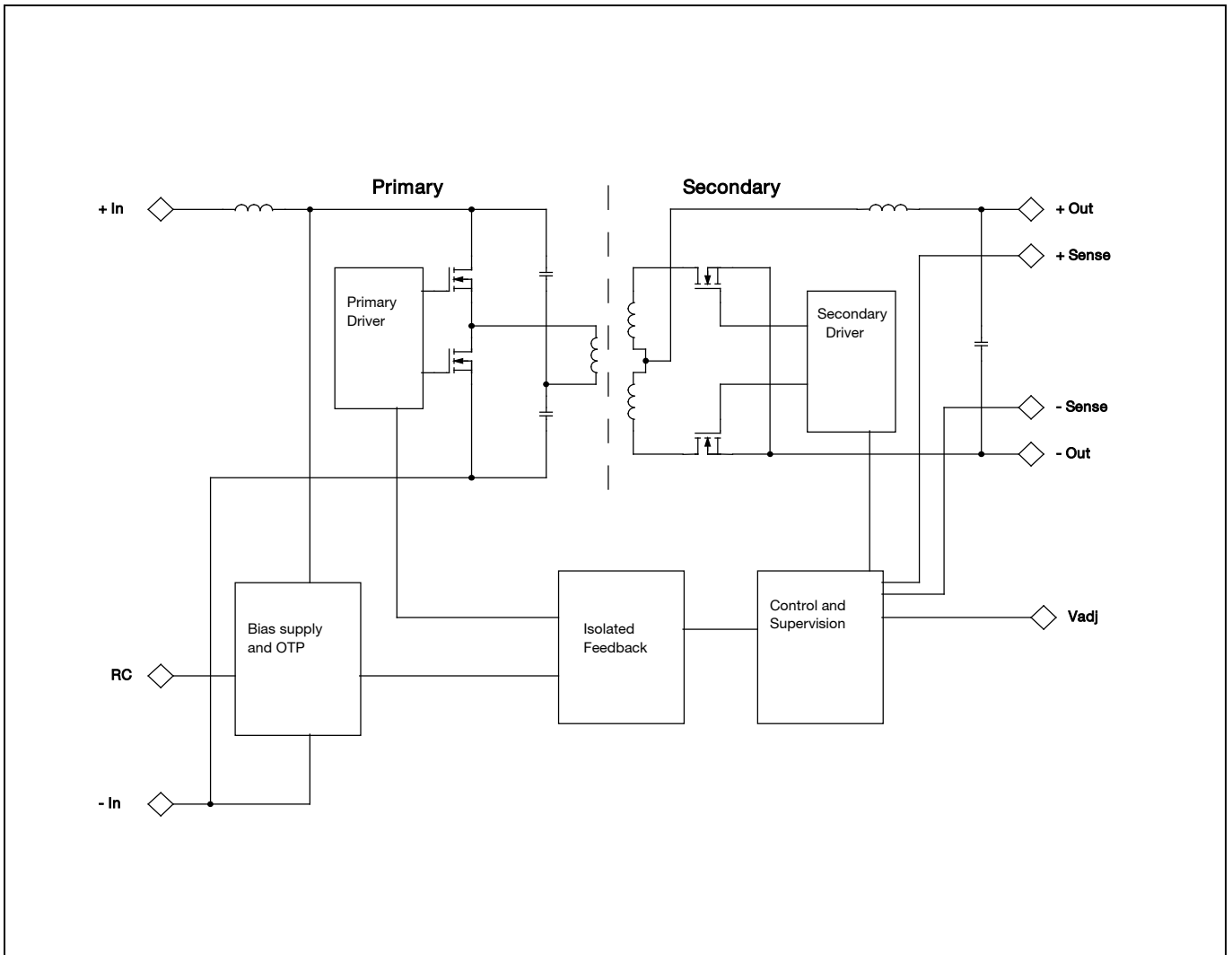
© Flex

Absolute Maximum Ratings

Characteristics		min	typ	max	Unit
T_{P1}	Operating Temperature (see Thermal Consideration section)	-40		+125	°C
T_S	Storage temperature	-55		+125	°C
V_I	Input voltage	-0.5		+38	V
V_{iso}	Isolation voltage (input to output test voltage)			1500	Vdc
V_{tr}	Input voltage transient (t_p 100 ms)			40	V
V_{RC}	Remote Control pin voltage (see Operating Information section)	Positive logic option		6	V
		Negative logic option		18	V
V_{adj}	Adjust pin voltage (see Operating Information section)	-0.5		$2xV_{oi}$	V

Stress in excess of Absolute Maximum Ratings may cause permanent damage. Absolute Maximum Ratings, sometimes referred to as no destruction limits, are normally tested with one parameter at a time exceeding the limits in the Electrical Specification. If exposed to stress above these limits, function and performance may degrade in an unspecified manner.

Fundamental Circuit Diagram



PKM 2000E PI series Direct Converters
Input 18-36 V, Output up to 25 A / 82.5 W

EN/LZT 146 419 R4A Oct. 2017

© Flex

Electrical Specification 3.3 V, 25 A / 82.5 W

PKM 2810E PI

$T_{P1} = -40$ to $+90^{\circ}\text{C}$, $V_I = 18$ to 36 V, sense pins connected to output pins unless otherwise specified under Conditions.
Typical values given at: $T_{P1} = +25^{\circ}\text{C}$, $V_I = 27$ V, $I_O = \text{max}$, unless otherwise specified under Conditions.
Additional $C_{in} = 33 \mu\text{F}$. See Operating Information section for selection of capacitor types.

Characteristics		Conditions	min	typ	max	Unit
V_I	Input voltage range		18		36	V
V_{loff}	Turn-off input voltage	Decreasing input voltage	15	16	17	V
V_{lon}	Turn-on input voltage	Increasing input voltage	16	17	18	V
C_I	Internal input capacitance			16		μF
P_O	Output power		0		82.5	W
η	Efficiency	50% of max I_O		92.2		%
		max I_O		89.6		
		50% of max I_O , $V_I = 24$ V		92.5		
		max I_O , $V_I = 24$ V		90.5		
P_d	Power Dissipation	max I_O		9.6	13.2	W
P_{li}	Input idling power	$I_O = 0$ A, $V_I = 27$ V		1.6		W
P_{RC}	Input standby power	$V_I = 27$ V (turned off with RC)		0.06		W
f_s	Switching frequency	0-100 % of max I_O	180	200	220	kHz

V_{Oi}	Output voltage initial setting and accuracy	$T_{P1} = +25^{\circ}\text{C}$, $V_I = 27$ V, $I_O = 25$ A	3.23	3.30	3.37	V
V_O	Output adjust range	See operating information	2.97		3.63	V
	Output voltage tolerance band	0-100 % of max I_O	3.2		3.4	V
	Idling voltage	$I_O = 0$ A	3.23		3.37	V
	Line regulation	max I_O		3	10	mV
	Load regulation	$V_I = 27$ V, 0-100% of max I_O		3	10	mV
V_{tr}	Load transient voltage deviation	$V_I = 27$ V, Load step 25-75-25 % of max I_O , $di/dt = 1$ A/ μs See Note 1		± 200	± 300	mV
t_{tr}	Load transient recovery time			150	250	μs
t_r	Ramp-up time (from 10-90% of V_{Oi})	0-100 % of max I_O	7	9	11	ms
t_s	Start-up time (from V_I connection to 90% of V_{Oi})		5	9.5	21	ms
t_f	V_I shut-down fall time (from V_I off to 10% of V_O)	max I_O		0.1		ms
		$I_O = 0$ A		31		s
t_{RC}	RC start-up time	max I_O		8		ms
	RC shut-down fall time (from RC off to 10% of V_O)	max I_O		0.1		ms
		$I_O = 0$ A		30		s
I_O	Output current		0		25	A
I_{lim}	Current limit threshold	$T_{P1} < \text{max } T_{P1}$	26	30	36	A
I_{sc}	Short circuit current	$T_{P1} = 25^{\circ}\text{C}$, see Note 2		32		A
C_{out}	Recommended Capacitive Load	$T_{P1} = 25^{\circ}\text{C}$, see Note 3	0		2500	μF
V_{Oac}	Output ripple & noise	See ripple & noise section, max I_O , V_{Oi}		35	80	mVp-p
OVP	Over voltage protection	$T_{P1} = +25^{\circ}\text{C}$, $V_I = 27$ V, 0-100 % of max I_O	4	4.5	5	V

Note 1: 3200 μF ; ESR value 1.46 m Ω

Note 2: Constant current $V_O < 0.5$ V

Note 3: See Operating Information Section

PKM 2000E PI series Direct Converters
 Input 18-36 V, Output up to 25 A / 82.5 W

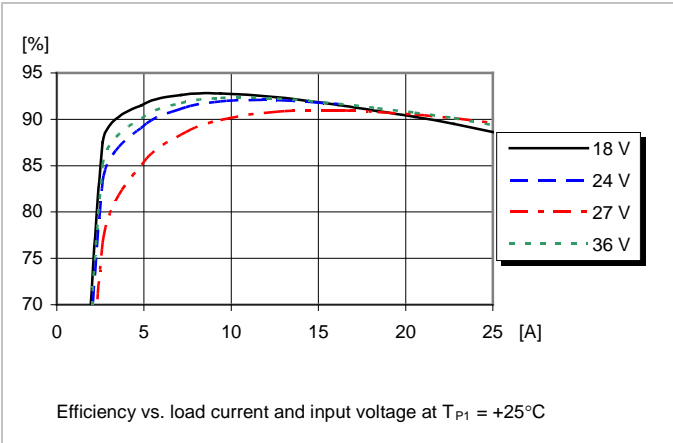
EN/LZT 146 419 R4A Oct. 2017

© Flex

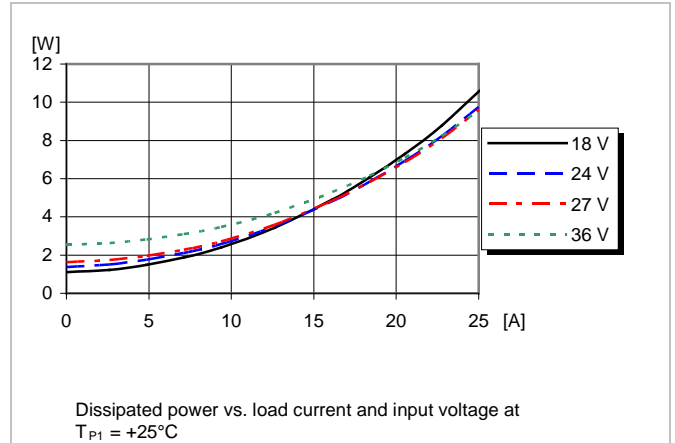
Typical Characteristics 3.3 V, 25 A / 82.5 W

PKM 2810E PI

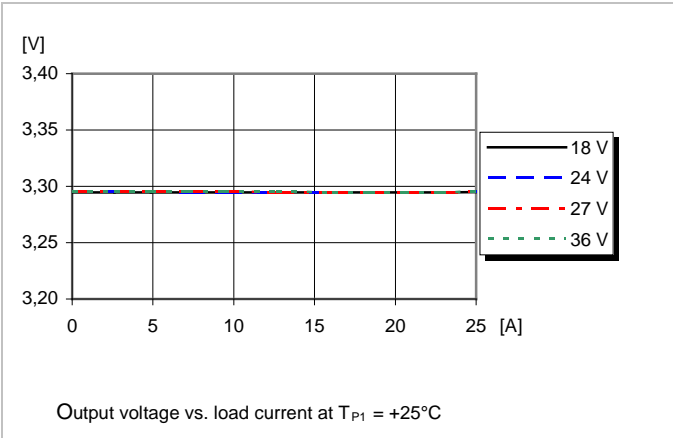
Efficiency



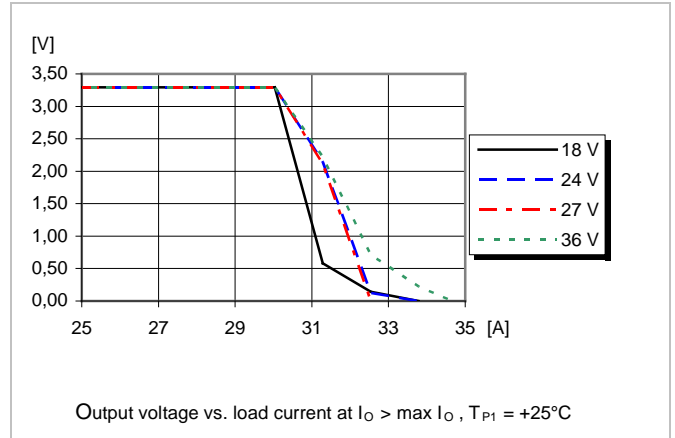
Power Dissipation



Output Characteristics



Current Limit Characteristics



PKM 2000E PI series Direct Converters
Input 18-36 V, Output up to 25 A / 82.5 W

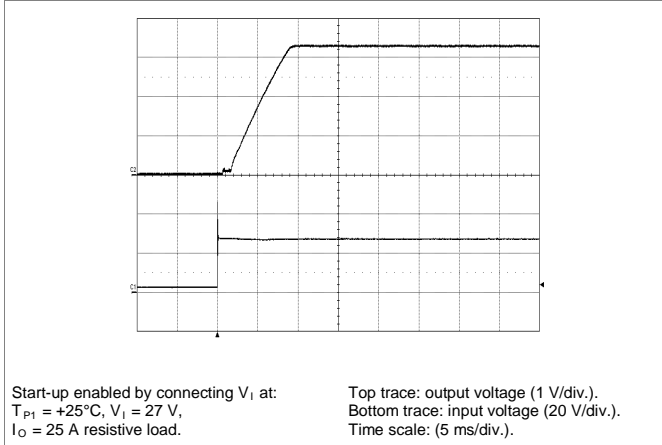
EN/LZT 146 419 R4A Oct. 2017

© Flex

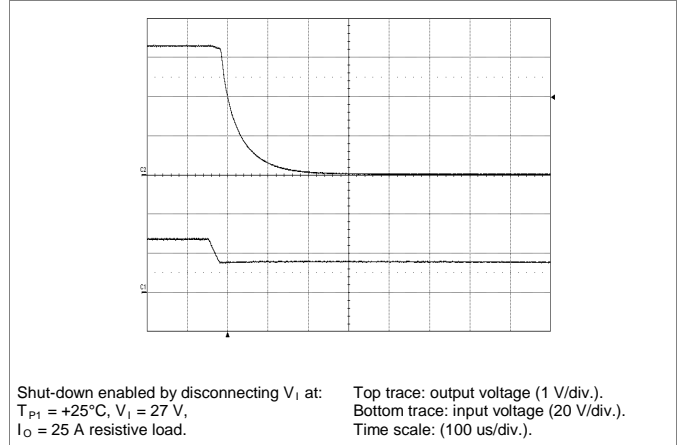
Typical Characteristics 3.3 V, 25 A / 82.5 W

PKM 2810E PI

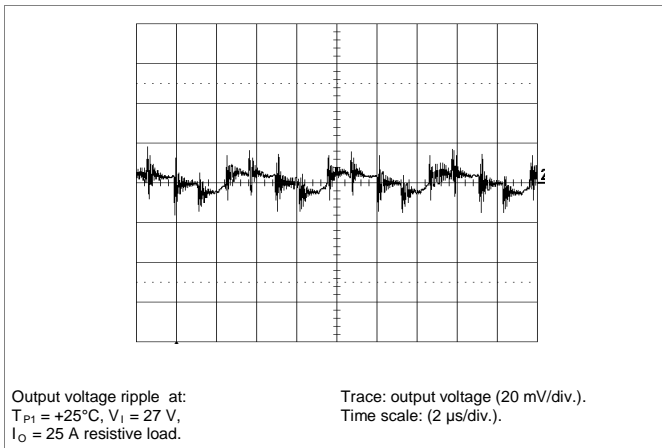
Start-up



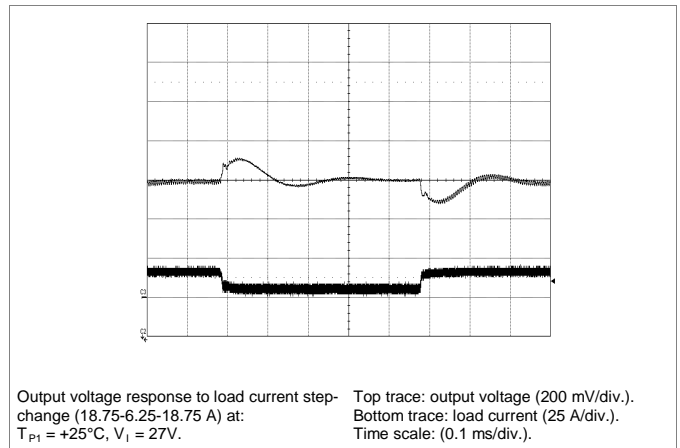
Shut-down



Output Ripple & Noise



Output Load Transient Response



Output Voltage Adjust (see operating information)

Passive adjust

The resistor value for an adjusted output voltage is calculated by using the following equations:

Output Voltage Adjust, Decrease:

$$R_{adj} = \left(\frac{511}{\Delta\%} - 10.22 \right) \text{ k}\Omega$$

Output Voltage Adjust, Increase:

$$R_{adj} = \left(\frac{5.11 \times 3.30(100 + \Delta\%)}{1.225 \times \Delta\%} - \frac{511}{\Delta\%} - 10.22 \right) \text{ k}\Omega$$

Example: Increase 4% $\Rightarrow V_{out} = 3.432\text{ Vdc}$

$$\left(\frac{5.11 \times 3.30(100 + 4)}{1.225 \times 4} - \frac{511}{4} - 10.22 \right) \text{ k}\Omega = 220\text{ k}\Omega$$

Active adjust

The output voltage may be adjusted using a voltage applied to the V_{adj} pin. This voltage is calculated by using the following equation:

$$V_{adj} = \left(1.225 + 2.45 \times \frac{V_{desired} - 3.30}{3.30} \right) \text{ V}$$

Example: Increase $V_{desired} = 3.50\text{ V}$

$$\left(1.225 + 2.45 \times \frac{3.50 - 3.30}{3.30} \right) \text{ V} = 1.37\text{ V}$$

PKM 2000E PI series Direct Converters
 Input 18-36 V, Output up to 25 A / 82.5 W

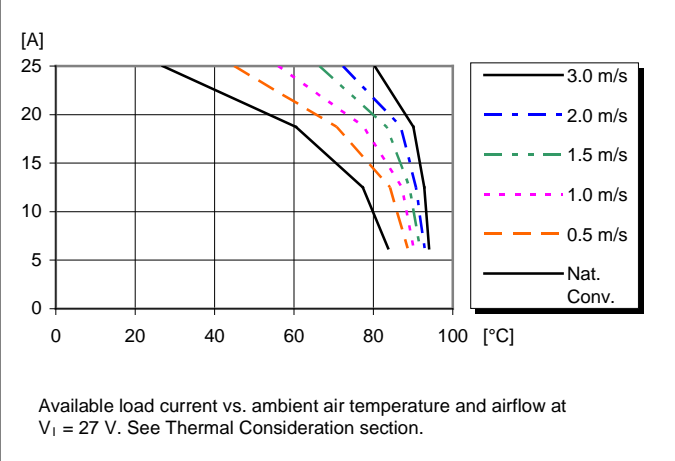
EN/LZT 146 419 R4A Oct. 2017

© Flex

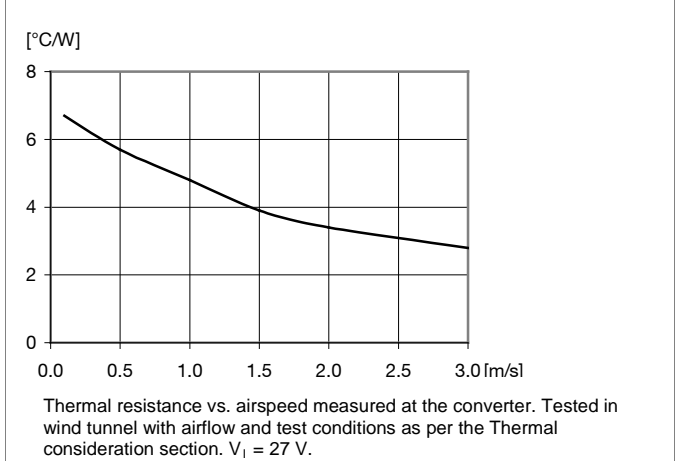
Typical Characteristics
3.3 V, 25 A / 82.5 W

PKM 2810E PI

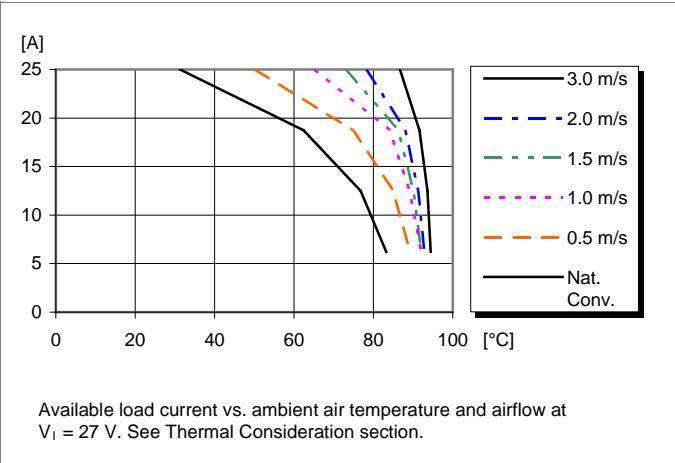
Output Current Derating – Open frame



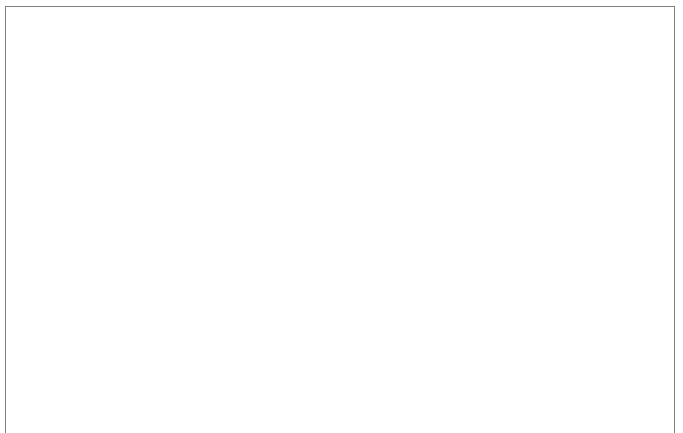
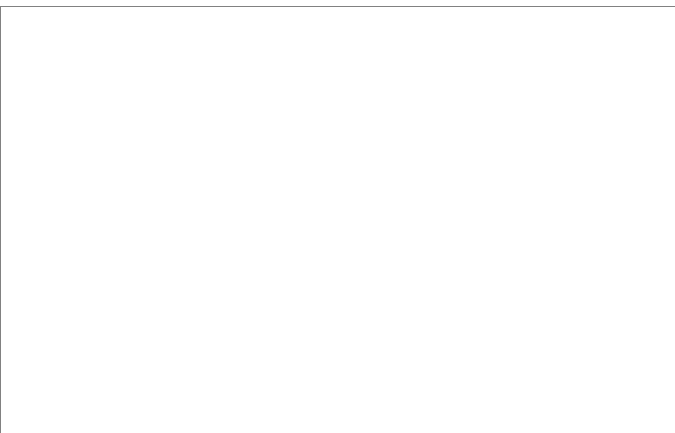
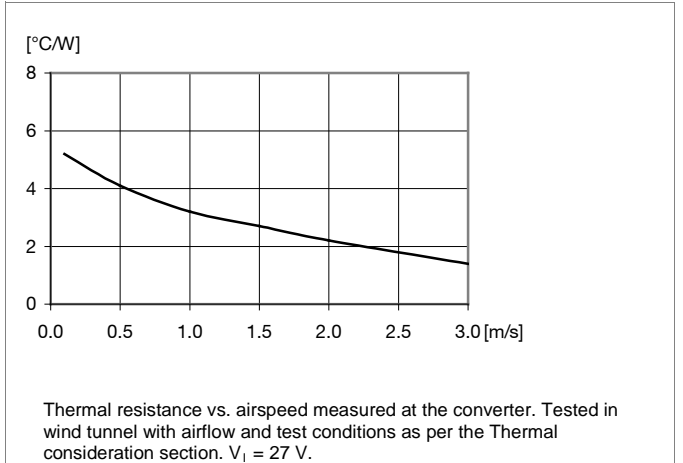
Thermal Resistance – Open frame



Output Current Derating – Base plate



Thermal Resistance – Base plate



PKM 2000E PI series Direct Converters
Input 18-36 V, Output up to 25 A / 82.5 W

EN/LZT 146 419 R4A Oct. 2017

© Flex

Electrical Specification
5 V, 16.5 A / 82.5 W

PKM 2811E PI

$T_{P1} = -40$ to $+90^{\circ}\text{C}$, $V_I = 18$ to 36 V, sense pins connected to output pins unless otherwise specified under Conditions.
Typical values given at: $T_{P1} = +25^{\circ}\text{C}$, $V_I = 27$ V, $I_O = \text{max } I_O$, unless otherwise specified under Conditions.
Additional $C_{in} = 33 \mu\text{F}$. See Operating Information section for selection of capacitor types.

Characteristics		Conditions	min	typ	max	Unit
V_I	Input voltage range		18		36	V
V_{loff}	Turn-off input voltage	Decreasing input voltage	15	16	17	V
V_{lon}	Turn-on input voltage	Increasing input voltage	16	17	18	V
C_I	Internal input capacitance			16		μF
P_O	Output power		0		82.5	W
η	Efficiency	50% of max I_O		91.5		%
		max I_O		90.5		
		50% of max I_O , $V_I = 24$ V		91.8		
		max I_O , $V_I = 24$ V		90.5		
P_d	Power Dissipation	max I_O		8.7	11.5	W
P_{li}	Input idling power	$I_O = 0$ A, $V_I = 27$ V		2.1		W
P_{RC}	Input standby power	$V_I = 27$ V (turned off with RC)		0.06		W
f_s	Switching frequency	0-100 % of max I_O	180	200	220	kHz

V_{Oi}	Output voltage initial setting and accuracy	$T_{P1} = +25^{\circ}\text{C}$, $V_I = 27$ V, $I_O = 16.5$ A	4.89	5	5.11	V
V_O	Output adjust range	See operating information	4.5		5.5	V
	Output voltage tolerance band	0-100% of max I_O	4.85		5.15	V
	Idling voltage	$I_O = 0$ A	4.89		5.11	V
	Line regulation	max I_O		3	10	mV
	Load regulation	$V_I = 27$ V, 0-100 % of max I_O		3	10	mV
V_{tr}	Load transient voltage deviation	$V_I = 27$ V, Load step 25-75-25 % of max I_O , $di/dt = 1$ A/ μs See Note 1		± 150	± 250	mV
t_{tr}	Load transient recovery time			30	50	μs
t_r	Ramp-up time (from 10-90% of V_{Oi})	0-100 % of max I_O	4	6.5	9.5	ms
t_s	Start-up time (from V_I connection to 90% of V_{Oi})		6	9.5	17	ms
t_f	V_I shut-down fall time (from V_I off to 10% of V_O)	max I_O		0.3		ms
		$I_O = 0$ A		30		s
t_{RC}	RC start-up time	max I_O		9		ms
	RC shut-down fall time (from RC off to 10% of V_O)	max I_O		0.2		ms
		$I_O = 0$ A		30		s
I_O	Output current		0		16.5	A
I_{lim}	Current limit threshold	$T_{P1} < \text{max } T_{P1}$	17.5	19	21.5	A
I_{sc}	Short circuit current	$T_{P1} = 25^{\circ}\text{C}$, see Note 2		22	25	A
C_{out}	Recommended Capacitive Load	$T_{P1} = 25^{\circ}\text{C}$, see Note 3	0		2500	μF
V_{Oac}	Output ripple & noise	See ripple & noise section, max I_O , V_{Oi}		55	110	mVp-p
OVP	Over voltage protection	$T_{P1} = +25^{\circ}\text{C}$, $V_I = 27$ V, 0-100 % of max I_O	6	6.5	7	V

Note 1: 2500 μF ; ESR value 1.46 m Ω

Note 2: Constant current $V_o < 0.5$ V

Note 3: See Operating Information Section

PKM 2000E PI series Direct Converters
 Input 18-36 V, Output up to 25 A / 82.5 W

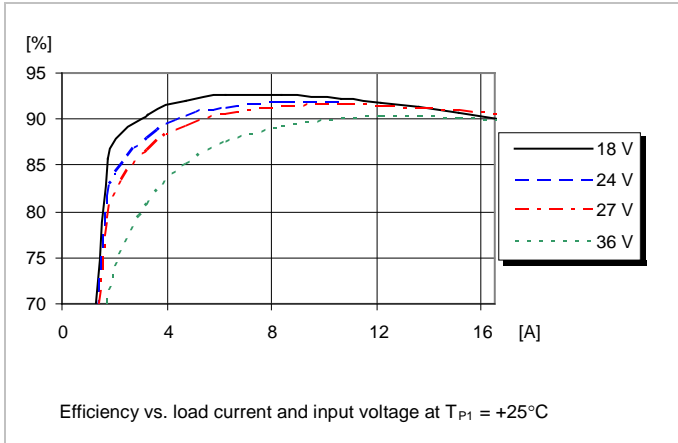
EN/LZT 146 419 R4A Oct. 2017

© Flex

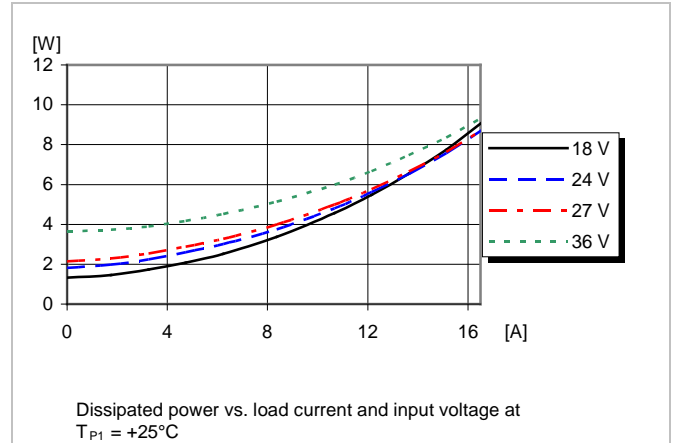
Typical Characteristics 5 V, 16.5 A / 82.5 W

PKM 2811E PI

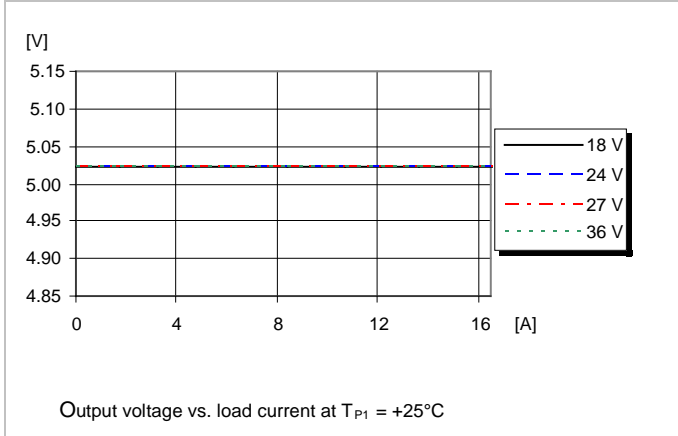
Efficiency



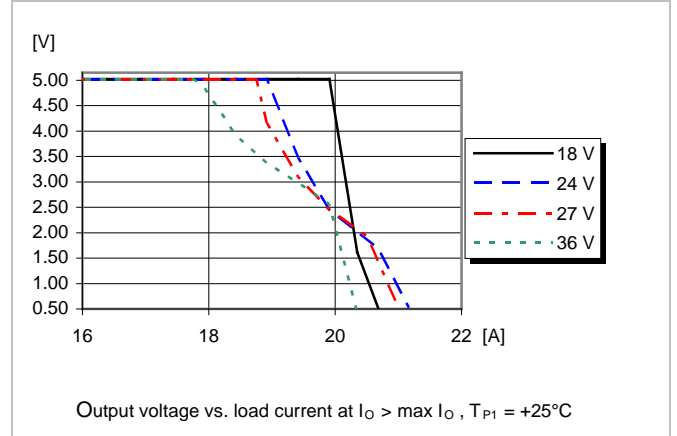
Power Dissipation



Output Characteristics



Current Limit Characteristics



PKM 2000E PI series Direct Converters
Input 18-36 V, Output up to 25 A / 82.5 W

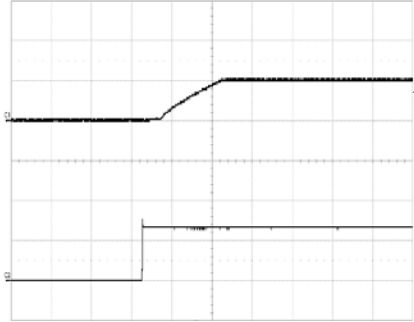
EN/LZT 146 419 R4A Oct. 2017

© Flex

Typical Characteristics 5 V, 16.5 A / 82.5 W

PKM 2811E PI

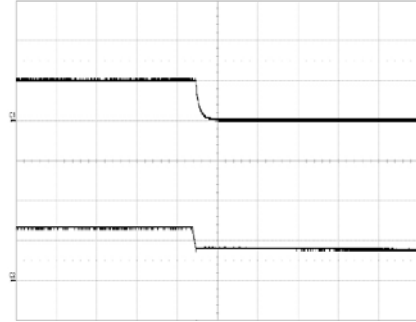
Start-up



Start-up enabled by connecting V_1 at:
 $T_{P1} = +25^\circ\text{C}$, $V_1 = 27\text{ V}$,
 $I_O = 16.5\text{ A}$ resistive load.

Top trace: output voltage (5 V/div).
Bottom trace: input voltage (20 V/div).
Time scale: (5 ms/div).

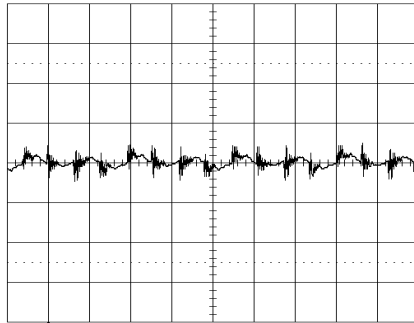
Shut-down



Shut-down enabled by disconnecting V_1 at:
 $T_{P1} = +25^\circ\text{C}$, $V_1 = 27\text{ V}$,
 $I_O = 16.5\text{ A}$ resistive load.

Top trace: output voltage (5 V/div).
Bottom trace: input voltage (20 V/div).
Time scale: (1 ms/div).

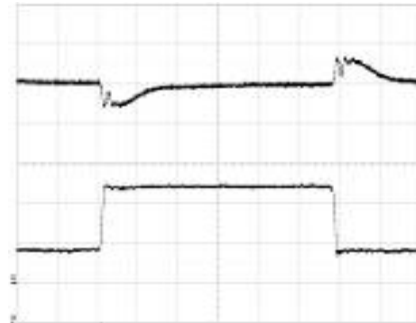
Output Ripple & Noise



Output voltage ripple at:
 $T_{P1} = +25^\circ\text{C}$, $V_1 = 27\text{ V}$,
 $I_O = 16.5\text{ A}$ resistive load.

Trace: output voltage (50 mV/div).
Time scale: (2 μs /div).

Output Load Transient Response



Output voltage response to load current step-change (4.125-12.375-4.125 A) at:
 $T_{P1} = +25^\circ\text{C}$, $V_1 = 27\text{ V}$.

Top trace: output voltage (200 mV/div).
Bottom trace: load current (5 A/div).
Time scale: (0.1 ms/div).

Output Voltage Adjust (see operating information)

Passive adjust

The resistor value for an adjusted output voltage is calculated by using the following equations:

Output Voltage Adjust, Decrease:

$$R_{adj} = \left(\frac{511}{\Delta\%} - 10.22 \right) \text{ k}\Omega$$

Output Voltage Adjust, Increase:

$$R_{adj} = \left(\frac{5.11 \times 5(100 + \Delta\%)}{1.225 \times \Delta\%} - \frac{511}{\Delta\%} - 10.22 \right) \text{ k}\Omega$$

Example: Increase 4% $\Rightarrow V_o = 5.2\text{ Vdc}$

$$\left(\frac{5.11 \times 5(100 + 4)}{1.225 \times 4} - \frac{511}{4} - 10.22 \right) \text{ k}\Omega = 404 \text{ k}\Omega$$

Active adjust

The output voltage may be adjusted using a voltage applied to the V_{adj} pin. This voltage is calculated by using the following equation:

$$V_{adj} = \left(1.225 + 2.45 \times \frac{V_{desired} - 5}{5} \right) \text{ V}$$

Example: Increase $V_{desired} = 5.3\text{ V}$

$$\left(1.225 + 2.45 \times \frac{5.3 - 5}{5} \right) \text{ V} = 1.37\text{ V}$$

PKM 2000E PI series Direct Converters
 Input 18-36 V, Output up to 25 A / 82.5 W

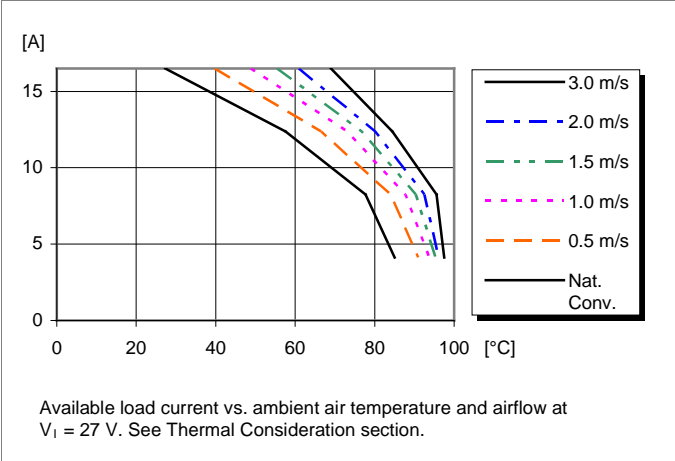
EN/LZT 146 419 R4A Oct. 2017

© Flex

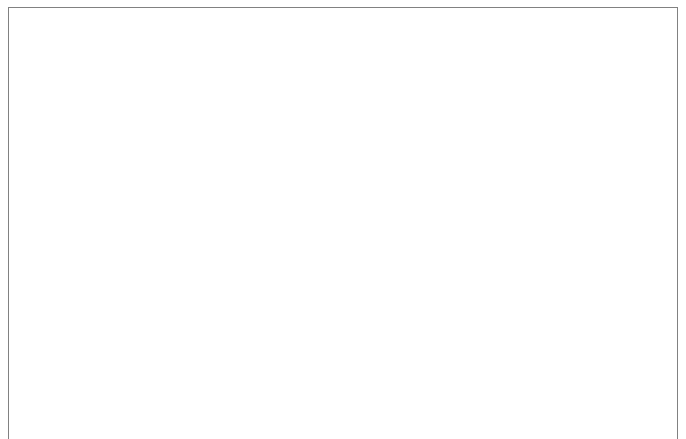
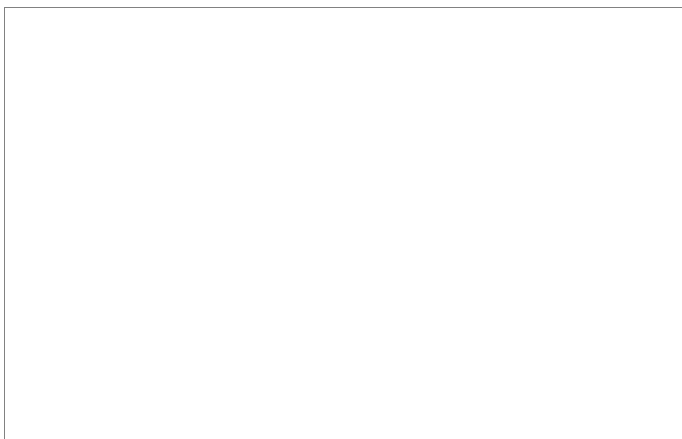
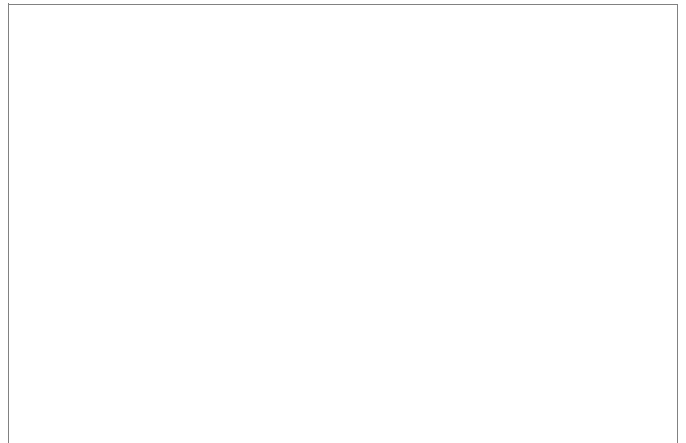
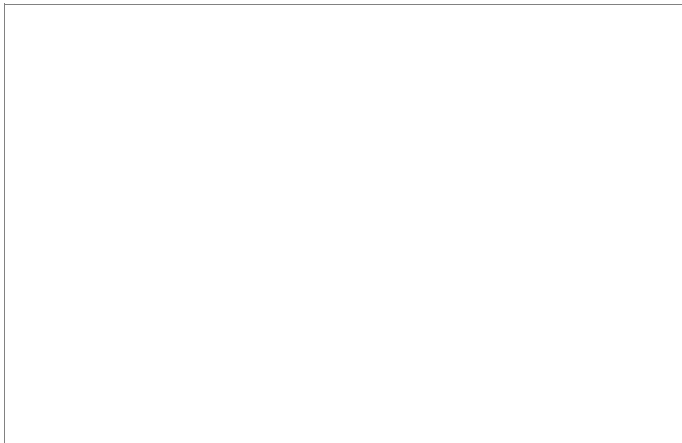
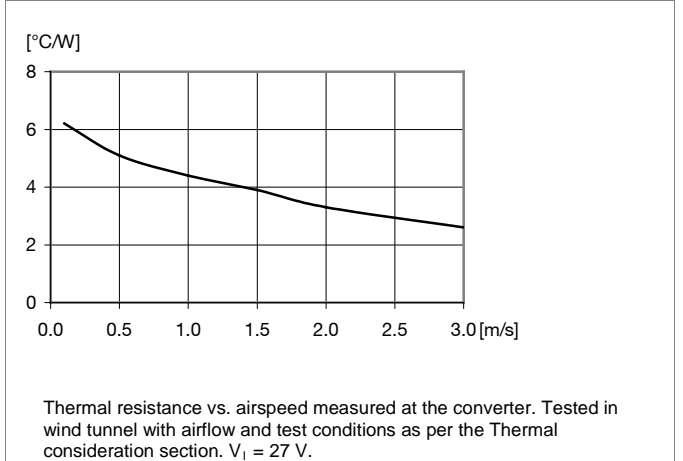
Typical Characteristics 5 V, 16.5 A / 82.5 W

PKM 2811E PI

Output Current Derating – Open frame



Thermal Resistance – Open frame



PKM 2000E PI series Direct Converters
Input 18-36 V, Output up to 25 A / 82.5 W

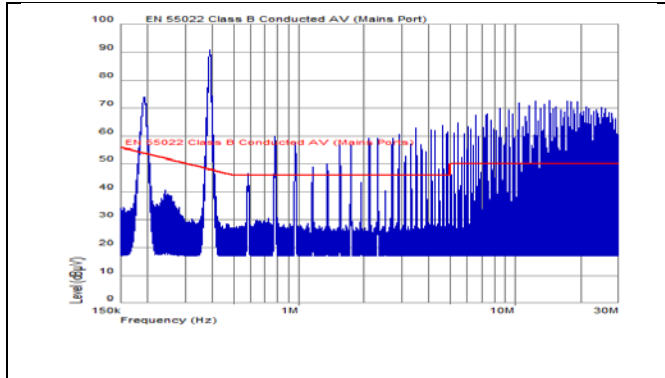
EN/LZT 146 419 R4A Oct. 2017

© Flex

EMC Specification

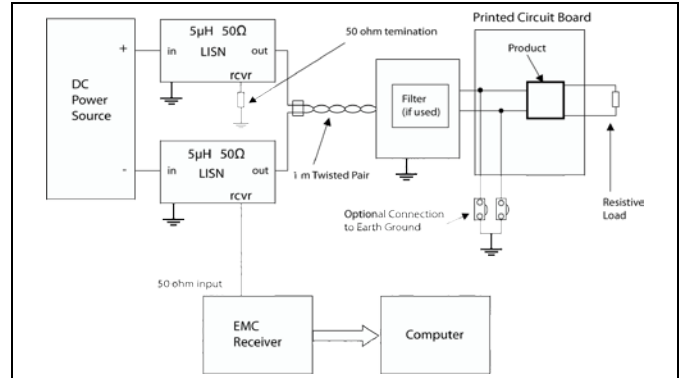
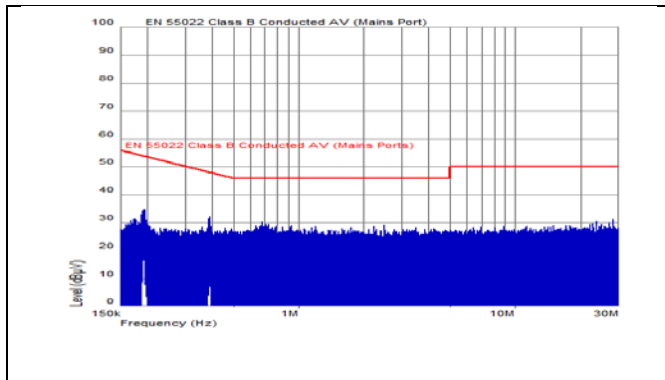
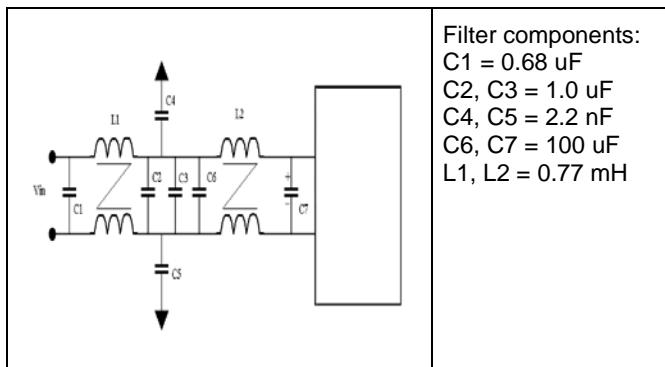
Conducted EMI measured according to EN55022, CISPR 22 and FCC part 15J (see test set-up). See Design Note 009 for further information. The fundamental switching frequency is 200 kHz for PKM 2810E PINB at $V_I = 27\text{ V}$ and max I_O .

Conducted EMI Input terminal value (typ)



Optional external filter for class B

Suggested external input filter in order to meet class B in EN 55022, CISPR 22 and FCC part 15J.



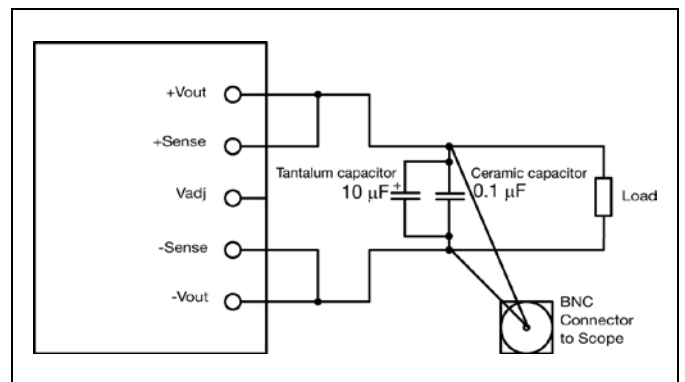
Layout recommendations

The radiated EMI performance of the product will depend on the PWB layout and ground layer design. It is also important to consider the stand-off of the product. If a ground layer is used, it should be connected to the output of the product and the equipment ground or chassis.

A ground layer will increase the stray capacitance in the PWB and improve the high frequency EMC performance.

Output ripple and noise

Output ripple and noise measured according to figure below. See Design Note 022 for detailed information.



PKM 2000E PI series Direct Converters Input 18-36 V, Output up to 25 A / 82.5 W	EN/LZT 146 419 R4A Oct. 2017
	© Flex

Operating information

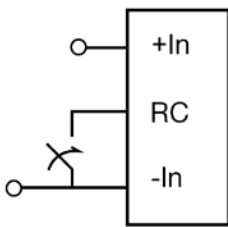
Input Voltage

The input voltage range 18 to 36 Vdc meets the requirements. At input voltages exceeding 36 V, the power loss will be higher than at normal input voltage and T_{P1} must be limited to absolute max +125°C. The absolute maximum continuous input voltage is 38 Vdc.

Turn-off Input Voltage

The products monitor the input voltage and will turn on and turn off at predetermined levels. The minimum hysteresis between turn on and turn off input voltage is 1 V.

Remote Control (RC)



The products are fitted with a remote control function referenced to the primary negative input connection (-In), with negative and positive logic options available. The RC function allows the product to be turned on/off by an external device like a semiconductor or mechanical switch. The RC pin has an internal pull up resistor to +In.

The device should be capable of sinking 0.5 mA. When the RC pin is left open, the voltage generated on the RC pin is 2 – 6 V. The standard product is provided with “negative logic” remote control and will be off until the RC pin is connected to the -In. To turn on the product the voltage between RC pin and -In should be less than 0.4 V. To turn off the converter the RC pin should be left open, or connected to a voltage higher than 1 V referenced to -In. In situations where it is desired to have the product to power up automatically without the need for control signals or a switch, the RC pin can be wired directly to -In.

The second option is “positive logic” remote control, which can be ordered by adding the suffix “P” to the end of the part number. When the RC pin is left open, the product starts up automatically when the input voltage is applied. Turn off is achieved by connecting the RC pin to the -In. To ensure safe turn off the voltage difference between RC pin and the -In pin shall be less than 1 V. The product will restart automatically when this connection is opened.

See Design Note 021 for detailed information.

Input and Output Impedance

The impedance of both the input source and the load will interact with the impedance of the product. It is important that the input source has low characteristic impedance. The products are designed for stable operation without external capacitors connected to the input or output. The performance in some applications can be enhanced by addition of external capacitance as described under External Decoupling

Capacitors.

If the input voltage source contains significant inductance, the addition of a 22 - 100 μ F capacitor across the input of the product will ensure stable operation. The capacitor is not required when powering the product from an input source with an inductance below 10 μ H. The minimum required capacitance value depends on the output power and the input voltage. The higher output power the higher input capacitance is needed. Approximately doubled capacitance value is required for a 24 V input voltage source compared to a 48 V input voltage source.

External Decoupling Capacitors

When powering loads with significant dynamic current requirements, the voltage regulation at the point of load can be improved by addition of decoupling capacitors at the load. The most effective technique is to locate low ESR ceramic and electrolytic capacitors as close to the load as possible, using several parallel capacitors to lower the effective ESR. The ceramic capacitors will handle high-frequency dynamic load changes while the electrolytic capacitors are used to handle low frequency dynamic load changes. It is equally important to use low resistance and low inductance PWB layouts and cabling.

External decoupling capacitors will become part of the product's control loop. The control loop is optimized for a wide range of external capacitance and the maximum recommended value that could be used without any additional analysis is found in the Electrical specification. The ESR of the capacitors is a very important parameter. Stable operation is guaranteed with a verified ESR value of >5 m Ω across the output connections. For further information please contact your local Flex Power Modules representative.

Output Voltage Adjust (V_{adj})

The products have an Output Voltage Adjust pin (V_{adj}). This pin can be used to adjust the output voltage above or below Output voltage initial setting.

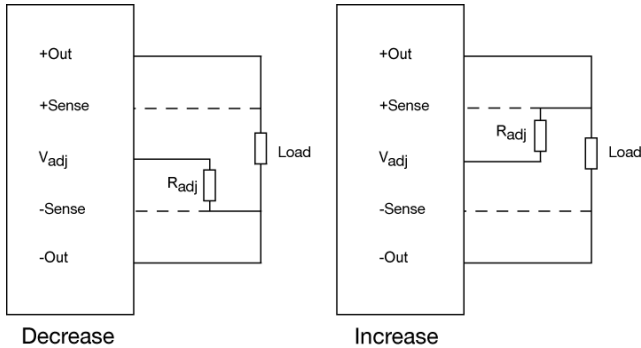
When increasing the output voltage, the voltage at the output pins (including any remote sense compensation) must be kept below the threshold of the over voltage protection, (OVP) to prevent the product from shutting down. At increased output voltages the maximum power rating of the product remains the same, and the max output current must be decreased correspondingly.

To increase the voltage the resistor should be connected between the V_{adj} pin and +Sense pin. The resistor value of the Output voltage adjust function is according to information given under the Output section for the respective product. To decrease the output voltage, the resistor should be connected between the V_{adj} pin and -Sense pin.

PKM 2000E PI series Direct Converters
Input 18-36 V, Output up to 25 A / 82.5 W

EN/LZT 146 419 R4A Oct. 2017

© Flex



Thermal Consideration

General

The products are designed to operate in different thermal environments and sufficient cooling must be provided to ensure reliable operation.

For products mounted on a PWB without a heat sink attached, cooling is achieved mainly by conduction, from the pins to the host board, and convection, which is dependant on the airflow across the product. Increased airflow enhances the cooling of the product. The Output Current Derating graph found in the Output section for each model provides the available output current vs. ambient air temperature and air velocity at $V_I = 27\text{ V}$.

The product is tested on a 254 x 254 mm, 35 μm (1 oz), 8-layer test board mounted vertically in a wind tunnel with a cross-section of 608 x 203 mm.

Parallel Operation

Two products may be paralleled for redundancy if the total power is equal or less than P_O max. It is not recommended to parallel the products without using external current sharing circuits.

See Design Note 006 for detailed information.

Remote Sense

The products have remote sense that can be used to compensate for voltage drops between the output and the point of load. The sense traces should be located close to the PWB ground layer to reduce noise susceptibility. The remote sense circuitry will compensate for up to 10% voltage drop between output pins and the point of load.

If the remote sense is not needed +Sense should be connected to +Out and -Sense should be connected to -Out.

Over Temperature Protection (OTP)

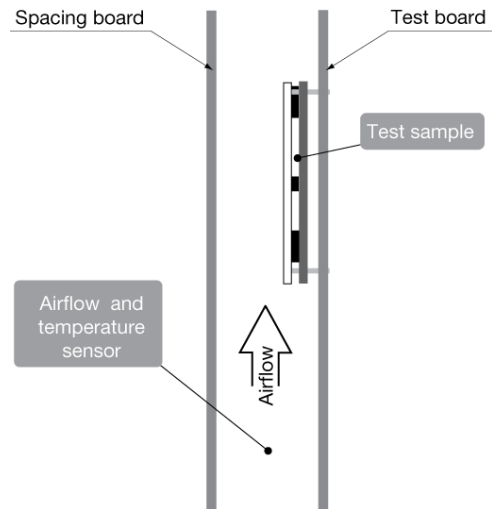
The products are protected from thermal overload by an internal over temperature shutdown circuit. When T_{P1} as defined in thermal consideration section exceeds 135°C the product will shut down. The product will make continuous attempts to start up (non-latching mode) and resume normal operation automatically when the temperature has dropped $>20^\circ\text{C}$ below the temperature threshold.

Over Voltage Protection (OVP)

The products have output over voltage protection that will shut down the product in over voltage conditions. The product will make continuous attempts to start up (non-latching mode) and resume normal operation automatically after removal of the over voltage condition.

Over Current Protection (OCP)

The products include current limiting circuitry for protection at continuous overload. The output voltage will decrease towards zero for output currents in excess of max output current (max I_O). The product will resume normal operation after removal of the overload. The load distribution should be designed for the maximum output short circuit current specified.

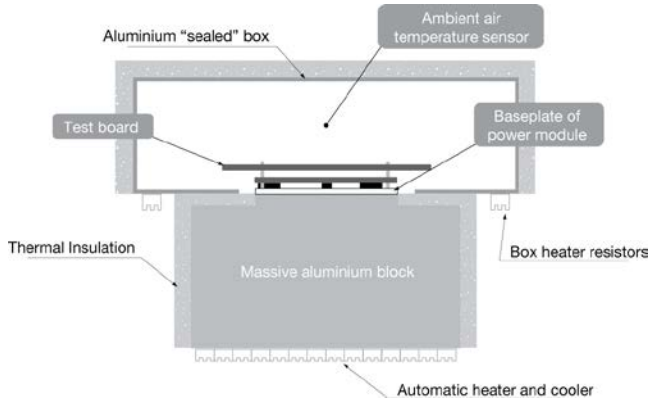


For products with base plate used in a sealed box/cold wall application, cooling is achieved mainly by conduction through the cold wall. The Output Current Derating graphs are found in the Output section for each model. The product is tested in a sealed box test set up with ambient temperatures 85, 55 and 25°C. See Design Note 028 for further details.

PKM 2000E PI series Direct Converters
 Input 18-36 V, Output up to 25 A / 82.5 W

EN/LZT 146 419 R4A Oct. 2017

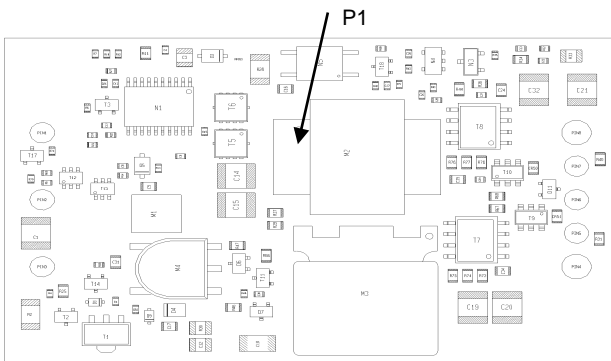
© Flex



Definition of product operating temperature

The product operating temperatures is used to monitor the temperature of the product, and proper thermal conditions can be verified by measuring the temperature at positions P1. The temperature at these positions T_{P1} should not exceed the maximum temperatures in the table below. The number of measurement points may vary with different thermal design and topology. Temperatures above maximum T_{P1} , measured at the reference point P1 are not allowed and may cause permanent damage.

Position	Description	Max Temp.
P1	Transformer winding	$T_{P1}=125^{\circ}\text{C}$



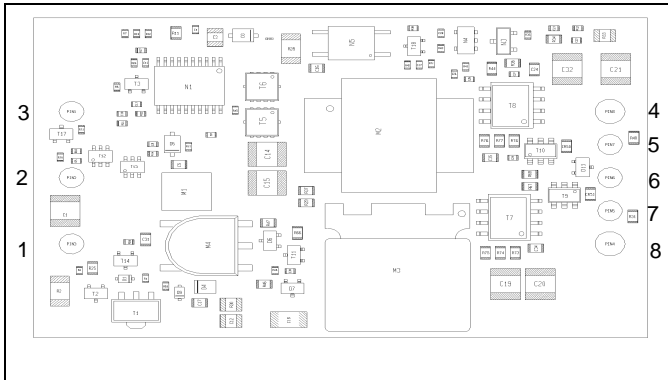
Open frame

PKM 2000E PI series Direct Converters
 Input 18-36 V, Output up to 25 A / 82.5 W

EN/LZT 146 419 R4A Oct. 2017

© Flex

Connections



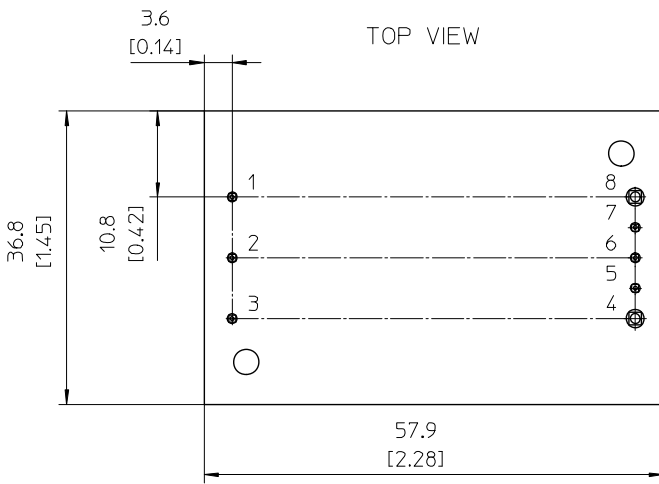
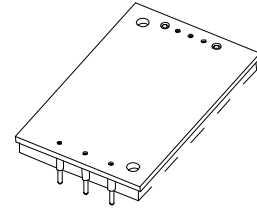
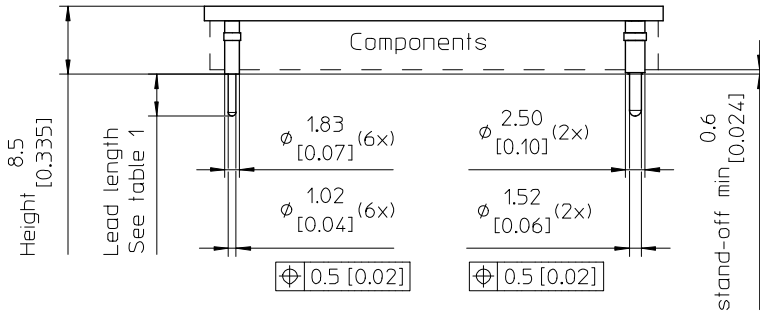
Pin	Designation	Function
1	+in	Positive Input
2	RC	Remote Control
3	-in	Negative Input
4	-out	Negative Output
5	S-	Negative Remote Sense
6	Vadj	Output Voltage Adjust
7	S+	Positive Remote Sense
8	+out	Positive Output

PKM 2000E PI series Direct Converters
 Input 18-36 V, Output up to 25 A / 82.5 W

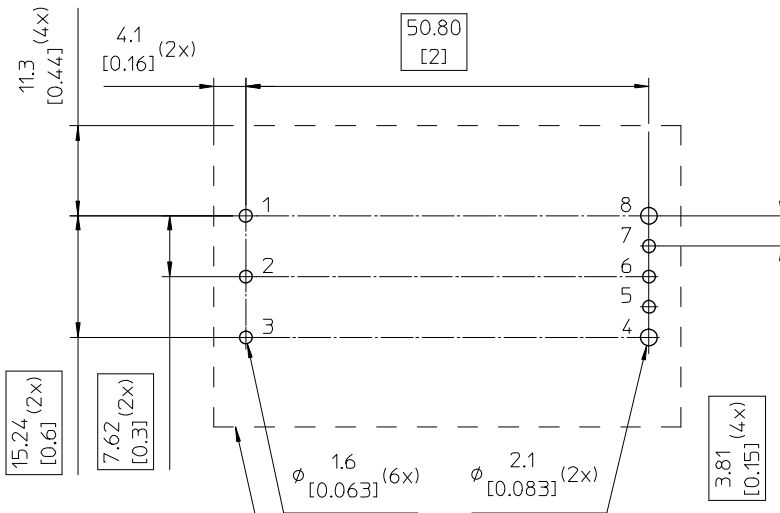
EN/LZT 146 419 R4A Oct. 2017

© Flex

Mechanical Information- Open Frame Version



Recommended footprint - TOP VIEW



Recommended keep away area
 for user components

Table 1

Pin option	Lead Length
Standard	5.25 [0.207]
LA	3.69 [0.145]

Weight: Typical 24g

Pins:

Material: Brass

Plating: 0.1 μm Gold over 2 μm Nickel

All dimensions are in mm [inches]

Tolerances unless specified

x.x mm ±0.5 mm [0.02]

x.xx mm ±0.25 mm [0.01]

Not applied on the recommended footprint



PKM 2000E PI series Direct Converters
 Input 18-36 V, Output up to 25 A / 82.5 W

EN/LZT 146 419 R4A Oct. 2017

© Flex

Mechanical Information- Base Plate Version

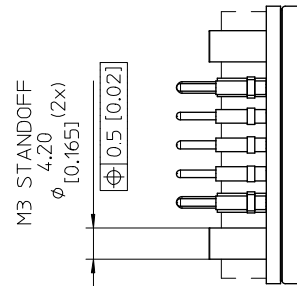
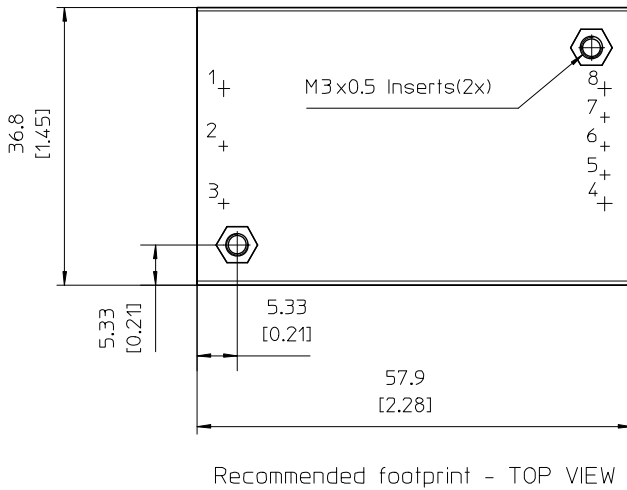
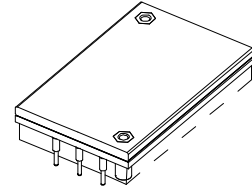
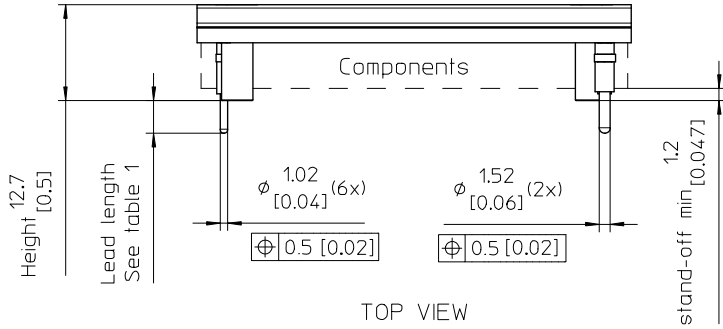
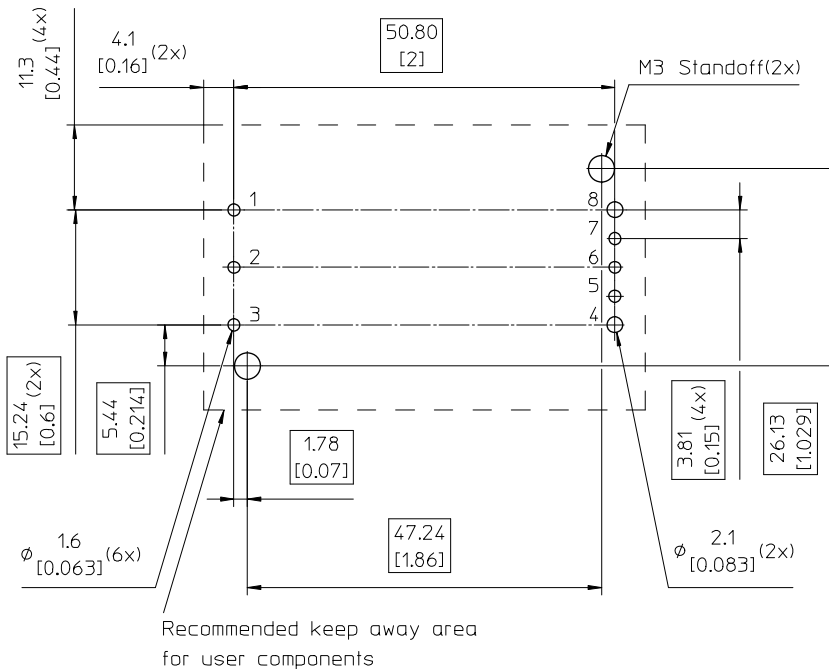


Table 1

Pin option	Lead Length
Standard	4.35 [0.171]
LA	2.79 [0.109]



Weight: Typical 44g

Case: Aluminium base plate.
 For screw attachment, apply mounting Torque of max 0.44 Nm [3.9 IN-LBS]

Pins:
 Material: Brass
 Plating: 0.1 μ m Gold over 2 μ m Nickel

All dimensions are in mm [inches]
 Tolerances unless specified
 x.x mm \pm 0.5 mm [0.02]
 x.xx mm \pm 0.25 mm [0.01]
 Not applied on the recommended footprint

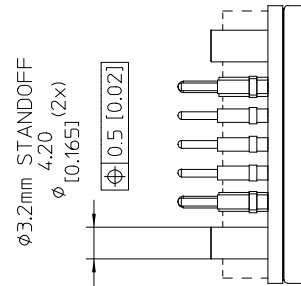
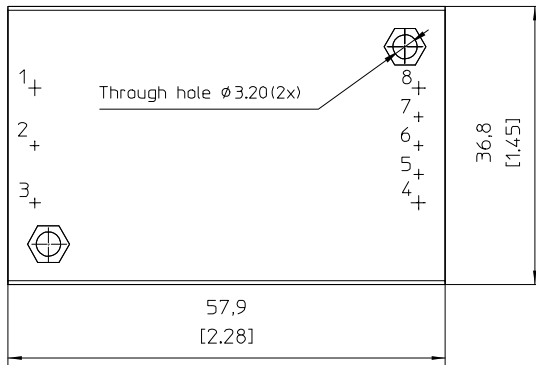
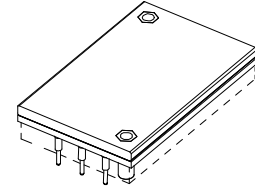
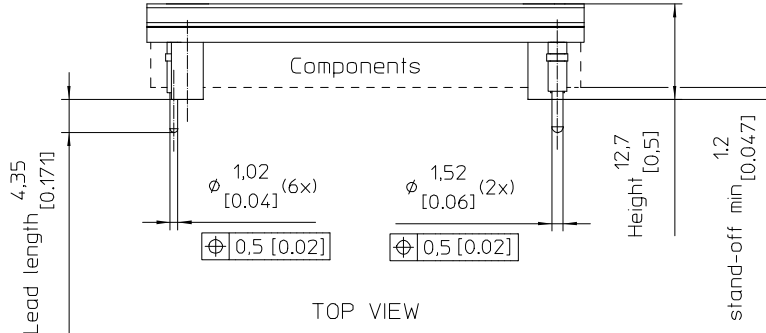


PKM 2000E PI series Direct Converters
 Input 18-36 V, Output up to 25 A / 82.5 W

EN/LZT 146 419 R4A Oct. 2017

© Flex

Mechanical Information – Base plate version with non-threaded inserts

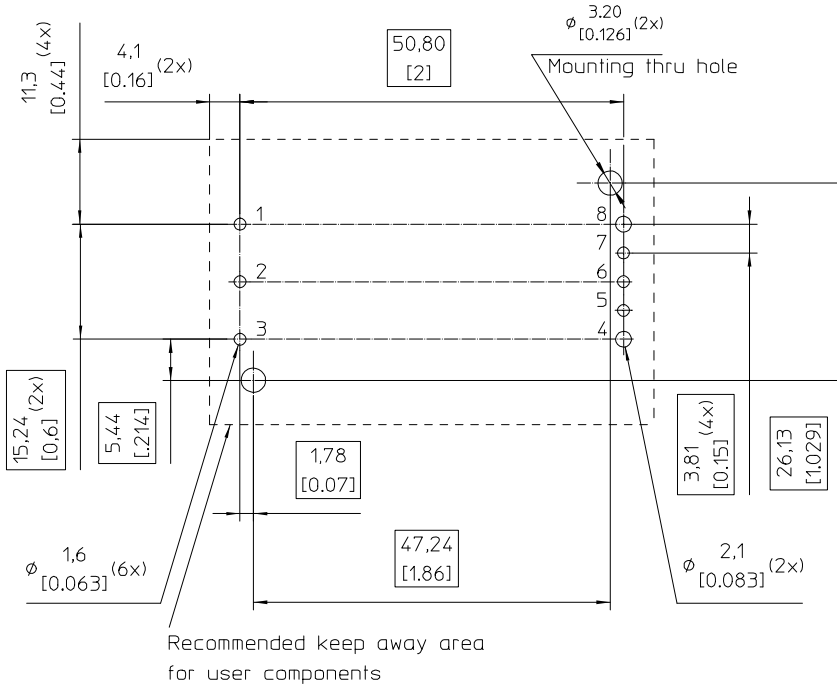


Weight: Typical 46g

Case: Aluminium base plate. Black anodized
 For screw attachment, apply mounting Torque of max 0.44 Nm [3.9 IN-LBS]

Pins:
 Material: Brass
 Plating: 0,1 μ m Gold over 2 μ m Nickel

Recommended footprint - TOP VIEW



All dimensions are in mm [inches]
 Tolerances unless specified
 x.x mm \pm 0,5 mm [0.02]
 x.xx mm \pm 0,25 mm [0.01]
 Not applied on the recommended footprint



PKM 2000E PI series Direct Converters
 Input 18-36 V, Output up to 25 A / 82.5 W

EN/LZT 146 419 R4A Oct. 2017

© Flex

Soldering Information – Through hole mounting

The product is intended for through hole mounting in a PCB. When wave soldering is used, the temperature on the pins is specified to maximum 260 °C for maximum 10 seconds.

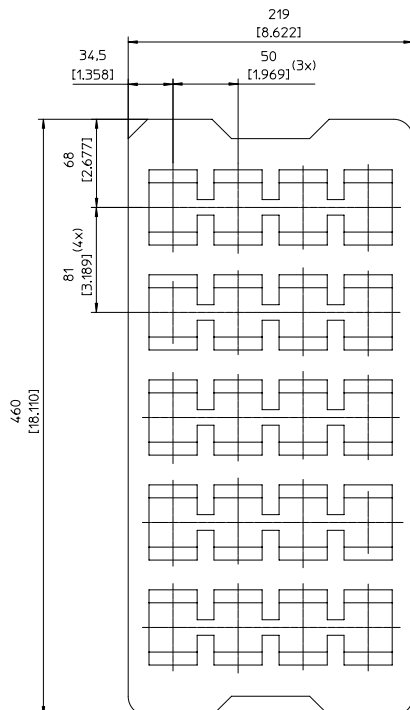
Maximum preheat rate of 4 °C/s and temperature of max 150 °C is suggested. When hands soldering care should be taken to avoid direct contact between the hot soldering iron tip and the pins for more than a few seconds in order to prevent overheating.

A no-clean (NC) flux is recommended to avoid entrapment of cleaning fluids in cavities inside of the DC/DC power module. The residues may affect long time reliability and isolation voltage.

Delivery package information

The products are delivered in antistatic trays.

Tray specifications	
Material	Polyethylene foam, dissipative
Surface resistance	$10^5 < \Omega/\text{square} < 10^{12}$
Bake ability	The trays are not bakeable
Tray capacity	20 products/tray
Tray height	25.4 mm [1.0 inch]
Box capacity	60 products (3 full trays/box)
Tray weight	80 g empty, 960 g full (Base plated products) 560 g full (Open frame products)



PKM 2000E PI series Direct Converters
 Input 18-36 V, Output up to 25 A / 82.5 W

EN/LZT 146 419 R4A Oct. 2017

© Flex

Product Qualification Specification

Characteristics			
External visual inspection	IPC-A-610		
Change of temperature (Temperature cycling)	IEC 60068-2-14 Na	Temperature range Number of cycles Dwell/transfer time	-40 to +100 °C 1000 15 min/0-1 min
Cold (in operation)	IEC 60068-2-1 Ad	Temperature T _A Duration	-45 °C 72 h
Damp heat	IEC 60068-2-67 Cy	Temperature Humidity Duration	+85 °C 85 % RH 1000 hours
Dry heat	IEC 60068-2-2 Bd	Temperature Duration	+125 °C 1000 h
Electrostatic discharge susceptibility	IEC 61340-3-1, JESD 22-A114 IEC 61340-3-2, JESD 22-A115	Human body model (HBM) Machine model (MM)	Class 2, 2000 V Class 3, 200 V
Immersion in cleaning solvents	IEC 60068-2-45 XA Method 2	Water Glycol ether Isopropanol	+55 ±5 °C +35 ±5 °C +35 ±5 °C
Mechanical shock	IEC 60068-2-27 Ea	Peak acceleration Duration Pulse shape Directions Number of pulses	100 g 6 ms Half sine 6 18 (3 + 3 in each perpendicular direction)
Moisture reflow sensitivity	J-STD-020C	Level 1 (SnPb-eutectic) Level 3 (Pb Free)	225 +0 -5 °C 260 +0 -45 °C
Operational life test	MIL-STD-202G method 108A	Duration	1000 h
Resistance to soldering heat	IEC 60068-2-20 Tb Method 1A	Solder temperature Duration	270 °C 10-13 s
Robustness of terminations	IEC 60068-2-21 Test Ua1		All leads
Solderability	IEC 60068-2-20 Test Ta	Preconditioning Temperature, SnPb Eutectic Temperature, Pb-free	Steam ageing for 1 h 235 °C 260 °C
Vibration, broad band random	IEC 60068-2-64 Fh method 1	Frequency Spectral density Duration	10 to 500 Hz 0.07 g ² /Hz 10 min in each 3 perpendicular directions



Компания «ЭлектроПласт» предлагает заключение долгосрочных отношений при поставках импортных электронных компонентов на взаимовыгодных условиях!

Наши преимущества:

- Оперативные поставки широкого спектра электронных компонентов отечественного и импортного производства напрямую от производителей и с крупнейших мировых складов;
- Поставка более 17-ти миллионов наименований электронных компонентов;
- Поставка сложных, дефицитных, либо снятых с производства позиций;
- Оперативные сроки поставки под заказ (от 5 рабочих дней);
- Экспресс доставка в любую точку России;
- Техническая поддержка проекта, помощь в подборе аналогов, поставка прототипов;
- Система менеджмента качества сертифицирована по Международному стандарту ISO 9001;
- Лицензия ФСБ на осуществление работ с использованием сведений, составляющих государственную тайну;
- Поставка специализированных компонентов (Xilinx, Altera, Analog Devices, Intersil, Interpoint, Microsemi, Aeroflex, Peregrine, Syfer, Eurofarad, Texas Instrument, Miteq, Cobham, E2V, MA-COM, Hittite, Mini-Circuits, General Dynamics и др.);

Помимо этого, одним из направлений компании «ЭлектроПласт» является направление «Источники питания». Мы предлагаем Вам помощь Конструкторского отдела:

- Подбор оптимального решения, техническое обоснование при выборе компонента;
- Подбор аналогов;
- Консультации по применению компонента;
- Поставка образцов и прототипов;
- Техническая поддержка проекта;
- Защита от снятия компонента с производства.



Как с нами связаться

Телефон: 8 (812) 309 58 32 (многоканальный)

Факс: 8 (812) 320-02-42

Электронная почта: org@eplast1.ru

Адрес: 198099, г. Санкт-Петербург, ул. Калинина, дом 2, корпус 4, литера А.