

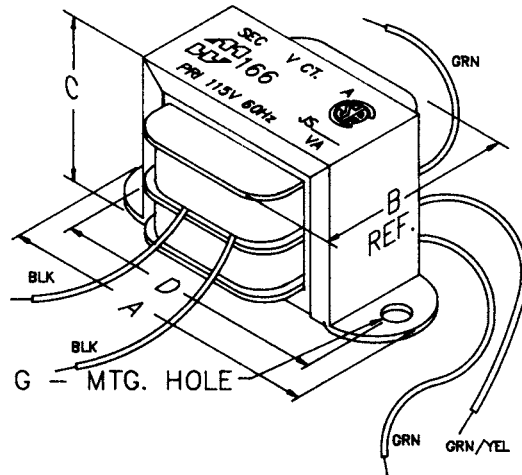
Filament & L.V. Rectifier Use - Single Primary (166 Series)

Power



OPEN STYLE FILAMENT & L.V. RECTIFIER USE TRANSFORMERS

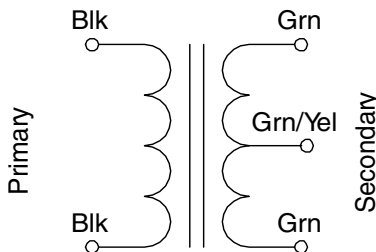
- Economical single primary 115 VAC, 60 Hz. or 117 VAC, 50/60 Hz. (see tables). If you require dual primary 117/234 operation, see our 266 series)
- All secondaries center tapped, VAC (RMS)
- Open style, channel bracket, two hole chassis mount.
- Minimum 6" long leads.
- Dual bobbin design - no electrostatic shield required.
- We use Class B insulation (130 degrees, C) for extra protection - UL listed as a Class A (105 degree, C) design.
- Hi-Pot test of 2,000V RMS.
- UL listed.
- CSA certified.



Dimension Table "C" Mount

| Mtg. Style | Dimensions (Inches) | | | | Mtg. Hole (Inches) |
|------------|---------------------|------|------|------|--------------------|
| | A | B | C | D | |
| C0H | 1.35 | 0.69 | 0.69 | 1.06 | 0.125 |
| C1H | 1.63 | 0.88 | 0.81 | 1.38 | 0.125 |
| C2H | 2.06 | 1.25 | 1.19 | 1.75 | 0.187 |
| C3H | 2.06 | 1.38 | 1.19 | 1.75 | 0.187 |
| C4H | 2.38 | 1.38 | 1.38 | 2.00 | 0.187 |
| C5H | 2.38 | 1.50 | 1.38 | 2.00 | 0.187 |
| C6H | 2.81 | 1.50 | 1.69 | 2.38 | 0.187 |
| C7H | 2.81 | 1.63 | 1.69 | 2.38 | 0.187 |
| C8H | 3.25 | 1.63 | 2.00 | 2.81 | 0.187 |
| C9H | 3.25 | 1.75 | 2.00 | 2.81 | 0.187 |
| C10H | 3.25 | 2.00 | 2.00 | 2.81 | 0.187 |
| C11H | 3.69 | 1.88 | 2.31 | 3.13 | 0.187 |
| C12H | 3.69 | 2.00 | 2.31 | 3.13 | 0.187 |
| C13H | 3.69 | 2.13 | 2.31 | 3.13 | 0.187 |
| C14H | 4.03 | 2.25 | 2.63 | 3.56 | 0.187 |
| C15H | 4.03 | 2.50 | 2.63 | 3.56 | 0.187 |
| C16H | 4.50 | 2.50 | 3.00 | 4.00 | 0.203 |

Transformer Schematic



CANADA
Guelph, Ontario (519) 822-2960
St. Laurent, Quebec (514) 343-9010
USA
Cheektowaga, NY (716) 630-7030

www.hammondmfg.com



EUROPE
Basingstoke, UK 01256 812812

AUSTRALIA
Queenstown, Australia 61-8-8240-2244

Filament & L.V. Rectifier Use - Single Primary (166 Series)

Power

| Part No. | VA | Primary | Secondary (R.M.S.) | | Dim Ref. |
|----------|-------|-----------------|--------------------|--------|----------|
| | | | VAC | Amps | |
| 166F2 | 0.63 | 115 V 60 Hz. | 2.5 C.T. | 0.25 | C2H |
| 166G2 | 1.25 | 115 V 60 Hz. | 2.5 C.T. | 0.5 | C2H |
| 166J2 | 2.5 | 115 V 60 Hz. | 2.5 C.T. | 1 | C3H |
| 166K2 | 3.75 | 115 V 60 Hz. | 2.5 C.T. | 1.5 | C4H |
| 166L2 | 6.25 | 115 V 60 Hz. | 2.5 C.T. | 2.5 | C6H |
| 166M2 | 7.5 | 115 V 60 Hz. | 2.5 C.T. | 3 | C6H |
| 166Q2 | 15 | 115 V 60 Hz. | 2.5 C.T. | 6 | C8H |
| 166S2 | 25 | 115 V 60 Hz. | 2.5 C.T. | 10 | C12H |
| 166F5 | 1.25 | 115 V 60 Hz. | 5 C.T. | 0.25 | C2H |
| 166G5 | 2.5 | 115 V 60 Hz. | 5 C.T. | 0.5 | C3H |
| 166J5 | 5 | 115 V 60 Hz. | 5 C.T. | 1 | C5H |
| 166L5 | 10 | 115 V 60 Hz. | 5 C.T. | 2 | C7H |
| 166MS | 15 | 115 V 60 Hz. | 5 C.T. | 3 | C9H |
| 166R5 | 40 | 115 V 60 Hz. | 5 C.T. | 8 | C12H |
| 166RS | 40 | 115 V 60 Hz. | 5 C.T. | 8 | C16H |
| 166S5 | 50 | 115 V 60 Hz. | 5 C.T. | 10 | C13H |
| 166U5 | 75 | 115 V 60 Hz. | 5 C.T. | 15 | C14H |
| 166V5 | 100 | 115 V 60 Hz. | 5 C.T. | 20 | C16H |
| 166E6 | 0.95 | 115 V 60 Hz. | 6.3 C.T. | 0.15 | C2H |
| 166F6 | 1.89 | 115 V 60 Hz. | 6.3 C.T. | 0.3 | C3H |
| 166G6 | 3.78 | 115 V 60 Hz. | 6.3 C.T. | 0.6 | C4H |
| 166J6 | 6.3 | 115 V 60 Hz. | 6.3 C.T. | 1 | C6H |
| 166K6 | 7.56 | 115 V 60 Hz. | 6.3 C.T. | 1.2 | C6H |
| 166K6B | 7.56 | 117 V 50/60 Hz. | 6.3 C.T. | 1.2 | C6H |
| 166L6 | 12.6 | 115 V 60 Hz. | 6.3 C.T. | 2 | C7H |
| 166M6 | 18.9 | 117 V 50/60 Hz. | 6.3 C.T. | 3 | C10H |
| 166N6 | 25.2 | 115 V 60 Hz. | 6.3 C.T. | 4 | C9H |
| 166Q6 | 37.8 | 115 V 60 Hz. | 6.3 C.T. | 6 | C12H |
| 166S6 | 63 | 115 V 60 Hz. | 6.3 C.T. | 10 | C14H |
| 166G7 | 4.9 | 115 V 60 Hz. | 7 C.T. | 0.7 | C5H |
| 166U7 | 112.5 | 115 V 60 Hz. | 7.5 C.T. | 15 | C16H |
| 166G8 | 4 | 115 V 60 Hz. | 8 C.T. | 0.5 | C4H |
| 166J8 | 8.5 | 115 V 60 Hz. | 8.5 C.T. | 1 | C6H |
| 166L8 | 17 | 115 V 60 Hz. | 8.5 C.T. | 2 | C8H |
| 166M8 | 25.5 | 115 V 60 Hz. | 8.5 C.T. | 3 | C9H |
| 166N8 | 34 | 115 V 60 Hz. | 8.5 C.T. | 4 | C10H |
| 166G9 | 4.5 | 115 V 60 Hz. | 9 C.T. | 0.5 | C4H |
| 166F10 | 3 | 115 V 60 Hz. | 10 C.T. | 0.3 | C3H |
| 166G10 | 5 | 115 V 60 Hz. | 10 C.T. | 0.5 | C5H |
| 166J10 | 10 | 115 V 60 Hz. | 10 C.T. | 1 | C7H |
| 166L10 | 20 | 115 V 60 Hz. | 10 C.T. | 2 | C9H |
| 166M10 | 30 | 115 V 60 Hz. | 10 C.T. | 3 | C10H |
| 166N10 | 40 | 115 V 60 Hz. | 10 C.T. | 4 | C12H |
| 166P10 | 50 | 115 V 60 Hz. | 10 C.T. | 5 | C13H |
| 166R10 | 80 | 115 V 60 Hz. | 10 C.T. | 8 | C15H |
| 166S10 | 100 | 115 V 60 Hz. | 10 C.T. | 10 | C16H |
| 166P11 | 55 | 115 V 60 Hz. | 11 C.T. | 5 | C13H |
| 166S11 | 110 | 115 V 60 Hz. | 11 C.T. | 10 | C16H |
| 166C12 | 0.63 | 115 V 60 Hz. | 6.3/12.6 C.T. | .1/.05 | C2H |
| 166E12 | 1.8 | 115 V 60 Hz. | 12 C.T. | 0.15 | C3H |
| 166F12B | 3.6 | 115 V 60 Hz. | 12 C.T. | 0.3 | C4H |
| 166F12C | 4.2 | 115 V 60 Hz. | 12 C.T. | 0.35 | C4H |
| 166GD12 | 8.4 | 117 V 50/60 Hz. | 12 | 0.7 | C7H |
| 166JA12 | 12 | 115 V 60 Hz. | 12 C.T. | 1 | C7H |
| 166K12 | 14.4 | 115 V 60 Hz. | 12 C.T. | 1.2 | C8H |
| 166JB12 | 14.4 | 117 V 50/60 Hz. | 12 C.T. | 1.2 | C9H |

| Part No. | VA | Primary | Secondary (R.M.S.) | | Dim Ref. |
|----------|-------|-----------------|--------------------|----------|----------|
| | | | VAC | Amps | |
| 166LA12 | 24 | 115 V 60 Hz. | 12 C.T. | 2 | C9H |
| 166N12B | 48 | 117 V 50/60 Hz. | 12 C.T. | 4 | C12H |
| 166F12 | 3.78 | 115 V 60 Hz. | 12.6 C.T. | 0.3 | C4H |
| 166G12 | 6.3 | 115 V 60 Hz. | 12.6 C.T. | 0.5 | C6H |
| 166J12 | 12.6 | 115 V 60 Hz. | 12.6 C.T. | 1 | C7H |
| 166K12B | 18.9 | 117 V 50/60 Hz. | 12.6 C.T. | 1.5 | C10H |
| 166L12B | 25.2 | 117 V 50/60 Hz. | 12.6 C.T. | 2 | C10H |
| 166L12 | 31.5 | 115 V 60 Hz. | 12.6 C.T. | 2.5 | C10H |
| 166M12 | 37.8 | 117 V 50/60 Hz. | 12.6 C.T. | 3 | C13H |
| 166N12 | 50.4 | 115 V 60 Hz. | 12.6 C.T. | 4 | C13H |
| 166Q12 | 75.6 | 115 V 60 Hz. | 12.6 C.T. | 6 | C14H |
| 166R12 | 100.8 | 115 V 60 Hz. | 12.6 C.T. | 8 | C16H |
| 166E14 | 2.1 | 115 V 60 Hz. | 14 C.T. | 0.15 | C3H |
| 166G14 | 7 | 115 V 60 Hz. | 14 C.T. | 0.5 | C6H |
| 166J14 | 14 | 115 V 60 Hz. | 14 C.T. | 1 | C7H |
| 166L14 | 28 | 115 V 60 Hz. | 14 C.T. | 2 | C10H |
| 166Q14 | 84 | 115 V 60 Hz. | 14 C.T. | 6 | C15H |
| 166F16 | 4 | 115 V 60 Hz. | 16 C.T. | 0.25 | C4H |
| 166G16 | 8 | 115 V 60 Hz. | 16 C.T. | 0.50 | C6H |
| 166J16 | 16 | 115 V 60 Hz. | 16 C.T. | 1 | C8H |
| 166L16 | 35.2 | 115 V 60 Hz. | 16 C.T. | 2.2 | C10H |
| 166M16 | 48 | 115 V 60 Hz. | 16 C.T. | 3 | C13H |
| 166B18 | 0.54 | 115 V 60 Hz. | 9/18 C.T. | .06/.03 | C2H |
| 166E18 | 5.4 | 115 V 60 Hz. | 18 C.T. | 0.3 | C5H |
| 166K18 | 27 | 115 V 60 Hz. | 18 C.T. | 1.5 | C9H |
| 166M18 | 54 | 115 V 60 Hz. | 18 C.T. | 3 | C13H |
| 166P18 | 90 | 115 V 60 Hz. | 18 C.T. | 5 | C15H |
| 166D20 | 2 | 115 V 60 Hz. | 20 C.T. | 0.1 | C3H |
| 166E20 | 3 | 115 V 60 Hz. | 20 C.T. | 0.15 | C3H |
| 166F20 | 6 | 115 V 60 Hz. | 20 C.T. | 0.3 | C5H |
| 166G20 | 10 | 115 V 60 Hz. | 20 C.T. | 0.5 | C7H |
| 166J20 | 20 | 115 V 60 Hz. | 20 C.T. | 1 | C9H |
| 166L20 | 40 | 115 V 60 Hz. | 20 C.T. | 2 | C11H |
| 166L22 | 44 | 115 V 60 Hz. | 22 C.T. | 2 | C13H |
| 166A24 | 0.63 | 115 V 60 Hz. | 12.6/25.2 C.T. | .05/.025 | C2H |
| 166C24 | 2.04 | 115 V 60 Hz. | 24 C.T. | 0.085 | C3H |
| 166EA24 | 4.8 | 115 V 60 Hz. | 24 C.T. | 0.2 | C5H |
| 166FB24 | 9.6 | 117 V 50/60 Hz. | 24 C.T. | 0.4 | C7H |
| 166GD24B | 16.8 | 117 V 50/60 Hz. | 24 C.T. | 0.7 | C9H |
| 166J24 | 24 | 117 V 50/60 Hz. | 24 C.T. | 1 | C10H |
| 166JB24 | 24 | 115 V 60 Hz. | 24 C.T. | 1 | C9H |
| 166L24 | 48 | 115 V 60 Hz. | 24 C.T. | 2 | C13H |
| 166M24 | 72 | 115 V 60 Hz. | 24 C.T. | 3 | C14H |
| 166N24 | 96 | 115 V 60 Hz. | 24 C.T. | 4 | C16H |
| 166D25 | 2.5 | 115 V 60 Hz. | 25 C.T. | 0.1 | C3H |
| 166E25 | 3.75 | 115 V 60 Hz. | 25 C.T. | 0.15 | C4H |
| 166F25 | 7.5 | 115 V 60 Hz. | 25 C.T. | 0.3 | C6H |
| 166G25 | 12.5 | 115 V 60 Hz. | 25 C.T. | 0.5 | C7H |
| 166J25 | 25 | 115 V 60 Hz. | 25 C.T. | 1 | C9H |
| 166J25B | 25 | 117 V 50/60 Hz. | 25 C.T. | 1 | C10H |
| 166K25 | 37.5 | 115 V 60 Hz. | 25 C.T. | 1.5 | C11H |
| 166L25 | 50 | 115 V 60 Hz. | 25 C.T. | 2 | C13H |
| 166M25 | 75 | 115 V 60 Hz. | 25 C.T. | 3 | C14H |
| 166L25B | 50.4 | 115 V 50/60 Hz. | 25.2 C.T. | 2 | C14H |
| 166F28 | 7 | 115 V 60 Hz. | 28 C.T. | 0.25 | C6H |
| 166G28 | 14 | 115 V 60 Hz. | 28 C.T. | 0.5 | C7H |

EUROPE

Basingstoke, UK 01256 812812

AUSTRALIA

Queenstown, Australia 61-8-8240-2244

www.hammondmfg.com



CANADA

Guelph, Ontario (519) 822-2960
St. Laurent, Quebec (514) 343-9010

USA

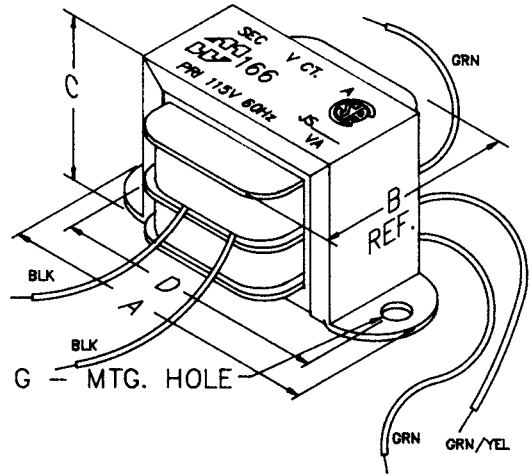
Cheektowaga, NY (716) 630-7030



Filament & L.V. Rectifier Use - Single Primary (166 Series)

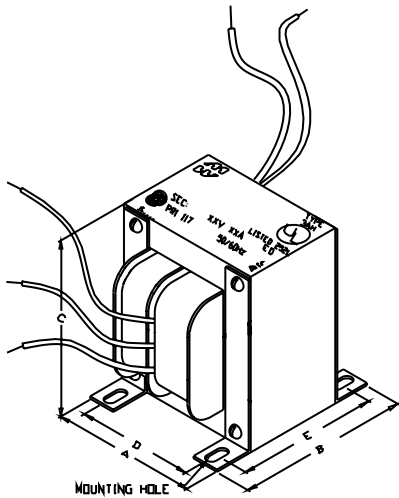
Power

| Part No. | VA | Primary | Secondary (R.M.S.) | | Dim Ref. |
|----------|------|-----------------|--------------------|-------|----------|
| | | | VAC | Amps | |
| 166J28 | 28 | 115 V 60 Hz. | 28 C.T. | 1 | C10H |
| 166L28 | 56 | 115 V 60 Hz. | 28 C.T. | 2 | C13H |
| 166E30 | 4.5 | 115 V 60 Hz. | 30 C.T. | 0.15 | C4H |
| 166F30 | 7.5 | 115 V 60 Hz. | 30 C.T. | 0.25 | C6H |
| 166G30 | 15 | 115 V 60 Hz. | 30 C.T. | 0.5 | C8H |
| 166J33 | 33 | 115 V 60 Hz. | 33 C.T. | 1 | C10H |
| 166K35 | 52.5 | 115 V 60 Hz. | 35 C.T. | 1.5 | C13H |
| 166E36 | 5.4 | 115 V 60 Hz. | 36 C.T. | 0.15 | C5H |
| 166F36 | 10.8 | 115 V 60 Hz. | 36 C.T. | 0.3 | C7H |
| 166G36 | 18 | 115 V 60 Hz. | 36 C.T. | 0.5 | C8H |
| 166J36 | 36 | 115 V 60 Hz. | 36 C.T. | 1 | C11H |
| 166L42 | 84 | 115 V 60 Hz. | 42 C.T. | 2 | C15H |
| 166E44 | 6.6 | 115 V 60 Hz. | 44 C.T. | 0.15 | C6H |
| 166F44 | 11 | 115 V 60 Hz. | 44 C.T. | 0.25 | C7H |
| 166G44 | 22 | 115 V 60 Hz. | 44 C.T. | 0.5 | C9H |
| 166J44 | 44 | 115 V 60 Hz. | 44 C.T. | 1 | C12H |
| 166M48 | 144 | 117 V 50/60 Hz. | 48 C.T. | 3 | B1H |
| 166C50 | 3.75 | 115 V 60 Hz. | 50 C.T. | 0.075 | C4H |
| 166F50 | 15 | 115 V 60 Hz. | 50 C.T. | 0.3 | C8H |
| 166G50 | 25 | 115 V 60 Hz. | 50 C.T. | 0.5 | C9H |
| 166J50 | 50 | 115 V 60 Hz. | 50 C.T. | 1 | C13H |
| 166L50 | 100 | 115 V 60 Hz. | 50 C.T. | 2 | C16H |
| 166G60 | 30 | 115 V 60 Hz. | 60 C.T. | 0.5 | C10H |
| 166M72 | 216 | 117 V 50/60 Hz. | 72 C.T. | 3 | B2H |
| 166G80 | 40 | 115 V 60 Hz. | 80 C.T. | 0.5 | C11H |
| 166G100 | 50 | 115 V 60 Hz. | 100 C.T. | 0.5 | C13H |
| 166F120 | 36 | 115 V 60 Hz. | 120 C.T. | 0.3 | C11H |



Dimension Table "C" Mount

| Mtg. Style | Dimensions (Inches) | | | | Mtg. Hole (Inches) |
|------------|---------------------|------|------|------|--------------------|
| | A | B | C | D | |
| C0H | 1.35 | 0.69 | 0.69 | 1.06 | 0.125 |
| C1H | 1.63 | 0.88 | 0.81 | 1.38 | 0.125 |
| C2H | 2.06 | 1.25 | 1.19 | 1.75 | 0.187 |
| C3H | 2.06 | 1.38 | 1.19 | 1.75 | 0.187 |
| C4H | 2.38 | 1.38 | 1.38 | 2.00 | 0.187 |
| C5H | 2.38 | 1.50 | 1.38 | 2.00 | 0.187 |
| C6H | 2.81 | 1.50 | 1.69 | 2.38 | 0.187 |
| C7H | 2.81 | 1.63 | 1.69 | 2.38 | 0.187 |
| C8H | 3.25 | 1.63 | 2.00 | 2.81 | 0.187 |
| C9H | 3.25 | 1.75 | 2.00 | 2.81 | 0.187 |
| C10H | 3.25 | 2.00 | 2.00 | 2.81 | 0.187 |
| C11H | 3.69 | 1.88 | 2.31 | 3.13 | 0.187 |
| C12H | 3.69 | 2.00 | 2.31 | 3.13 | 0.187 |
| C13H | 3.69 | 2.13 | 2.31 | 3.13 | 0.187 |
| C14H | 4.03 | 2.25 | 2.63 | 3.56 | 0.187 |
| C15H | 4.03 | 2.50 | 2.63 | 3.56 | 0.187 |
| C16H | 4.50 | 2.50 | 3.00 | 4.00 | 0.203 |



Dimension Table "B" Mount

| Mtg. Style | Dimensions (Inches) | | | | | Mtg. Slot (Inches) |
|------------|---------------------|------|------|------|------|--------------------|
| | A | B | C | D | E | |
| B1H | 3.44 | 2.98 | 4.13 | 2.75 | 2.38 | 0.203 x 0.375 |
| B2H | 3.75 | 3.56 | 4.50 | 3.00 | 3.00 | 0.203 x 0.375 |



CANADA
Guelph, Ontario (519) 822-2960
St. Laurent, Quebec (514) 343-9010
USA
Cheektowaga, NY (716) 630-7030

www.hammondmfg.com



EUROPE
Basingstoke, UK 01256 812812

AUSTRALIA
Queenstown, Australia 61-8-8240-2244



Компания «ЭлектроПласт» предлагает заключение долгосрочных отношений при поставках импортных электронных компонентов на взаимовыгодных условиях!

Наши преимущества:

- Оперативные поставки широкого спектра электронных компонентов отечественного и импортного производства напрямую от производителей и с крупнейших мировых складов;
- Поставка более 17-ти миллионов наименований электронных компонентов;
- Поставка сложных, дефицитных, либо снятых с производства позиций;
- Оперативные сроки поставки под заказ (от 5 рабочих дней);
- Экспресс доставка в любую точку России;
- Техническая поддержка проекта, помощь в подборе аналогов, поставка прототипов;
- Система менеджмента качества сертифицирована по Международному стандарту ISO 9001;
- Лицензия ФСБ на осуществление работ с использованием сведений, составляющих государственную тайну;
- Поставка специализированных компонентов (Xilinx, Altera, Analog Devices, Intersil, Interpoint, Microsemi, Aeroflex, Peregrine, Syfer, Eurofarad, Texas Instrument, Miteq, Cobham, E2V, MA-COM, Hittite, Mini-Circuits, General Dynamics и др.);

Помимо этого, одним из направлений компании «ЭлектроПласт» является направление «Источники питания». Мы предлагаем Вам помощь Конструкторского отдела:

- Подбор оптимального решения, техническое обоснование при выборе компонента;
- Подбор аналогов;
- Консультации по применению компонента;
- Поставка образцов и прототипов;
- Техническая поддержка проекта;
- Защита от снятия компонента с производства.



Как с нами связаться

Телефон: 8 (812) 309 58 32 (многоканальный)

Факс: 8 (812) 320-02-42

Электронная почта: org@eplast1.ru

Адрес: 198099, г. Санкт-Петербург, ул. Калинина, дом 2, корпус 4, литера А.