

2

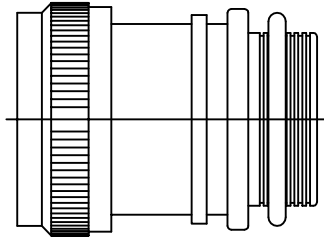


1

TE CONNECTIVITY RESERVES THE RIGHT TO AMEND THIS DRAWING AT ANY TIME. USERS SHOULD EVALUATE THE SUITABILITY OF THE PRODUCT FOR THEIR APPLICATION.

REVISIONS

LTR	DESCRIPTION	DATE	APPROVED
G1	REVISED PER ECO-11-005139	29MAR11	HMR
H	REVISED PER ECO-12-021161	04DEC12	G.WELLS



CODE 41 TINEL-LOCK ADAPTER

NOTES:

1. THIS PRODUCT IS DESIGNED TO TERMINATE A BRAIDED CABLE SHIELD AND A HEAT SHRINKABLE LIPPED BOOT TO A CONNECTOR.
2. SEE CH00-0250-008 FOR ORDERING INFORMATION, MODIFICATIONS AND ADDITIONAL DIMENSIONS.
- ③ SEE DRAWING "TR" FOR DETAILS ON TINEL-LOCK RING. RINGS ARE DESIGNED TO BE HEATED ELECTRICALLY. ALL RINGS ARE MARKED WITH THERMOCHROMIC PAINT WHICH CHANGES COLOR WHEN INSTALLATION TEMPERATURE IS REACHED.
4. ADAPTER TO BE PERMANENTLY MARKED WITH CODE IDENT. NO. AND PART NO. LESS RING DESIGNATOR (E.G.: 06090-TXR41AB00-1206). RINGS SHALL BEAR NO MARKING.
- ⑤ FOR LARGER ENTRY SIZES, A 2 PIECE ADAPTER (TYPE II) IS SUPPLIED.
- ⑥ ADAPTER MATES TO MIL-C-38999, SERIES I & II, CLASS E AND T, MS27466, MS27467, MS27468, MS27472, MS27473, MS27474, MS27479, MS27480, MS27481, MS27484, MS27497, MS27652, MS27653, MS27656 CONNECTORS.
- ⑦ THESE DIMENSIONS APPLY IF A SELF-LOCKING COUPLING NUT IS USED. (MOD. CODE "S").

If this document is printed it becomes uncontrolled. Check for the latest revision

Raychem Adapters
CUSTOMER DRAWING

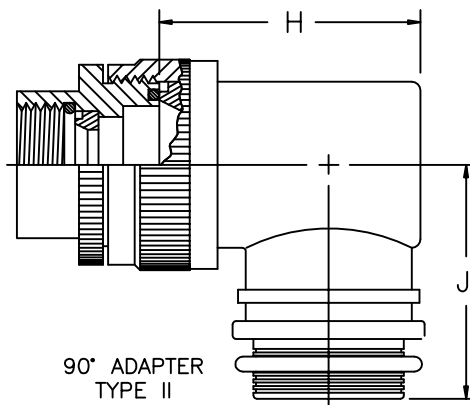
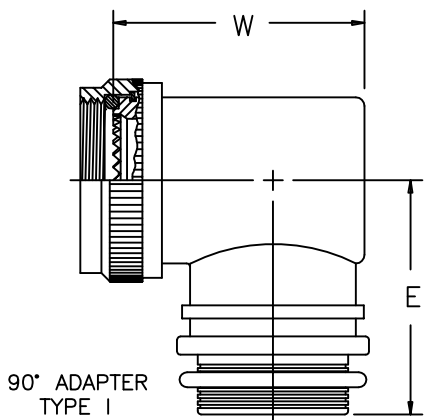
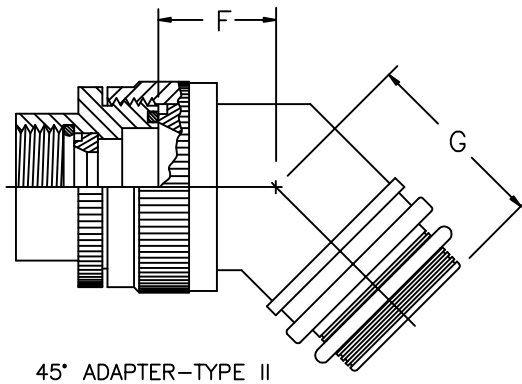
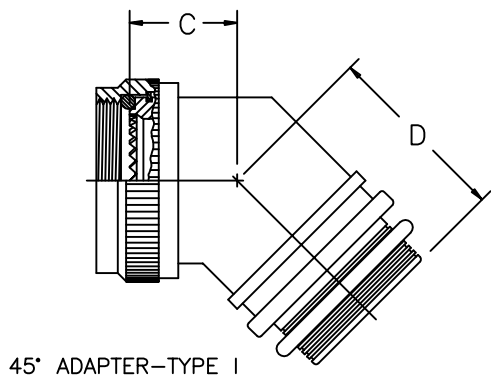
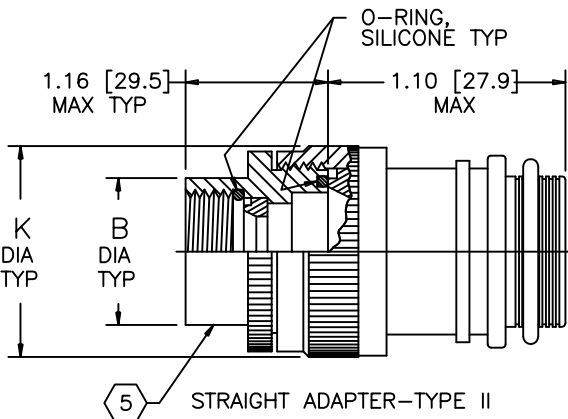
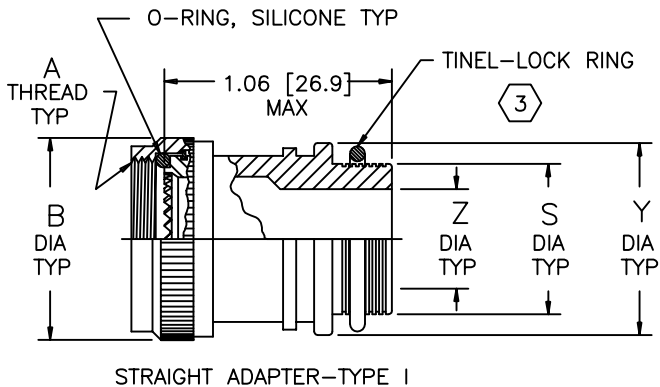
©2006-12 Tyco Electronics Corporation, a TE connectivity Ltd. company. All rights reserved.

UNLESS OTHERWISE SPECIFIED DIMENSIONS ARE IN INCHES. METRIC DIMENSIONS ARE IN BRACKETS. DECIMALS .XXX ± 0.005 [0.13 mm] .XX ± 0.01 [0.25 mm] .X ± 0.1 [0.50 mm] ANGLES .X ± 0.5 DEG	DRAWN	R. RAMIREZ	03-18-93		TE Connectivity	
	CHECKED	---	---			
	APPROVED	W.C. GAY	05-19-93	TITLE TINEL-LOCK™ ADAPTER		
	REVISED	MFORONDA	5/22/06			
	CAD NAME:	txr41_1_h_cd_H			SIZE	CODE IDENT. NO.
THIRD ANGLE PROJECTION			A	06090	TXR41	
				DO NOT SCALE THIS DRAWING		SHEET 1 OF 3

2



1



Raychem Adapters
CUSTOMER DRAWING

If this document is printed it becomes uncontrolled. Check for the latest revision

© 2006-12 Tyco Electronics Corporation, a TE connectivity Ltd. company. All rights reserved.

SIZE A	CODE IDENT. NO. 06090	DWG. NO. TXR41	REV H
DO NOT SCALE THIS DRAWING		CAD NAME: txr41_2_h_cd_H	SHEET 2 OF 3

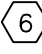
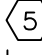
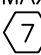
TABLE I										
ORDER NO.	SHELL SIZE 		MAX ENTRY SIZE  TYPE I	A UNIFIED THD CLASS 2B	B DIA MAX	B DIA MAX 	C MAX	D MAX	E MAX	W MAX
	SER 1	SER 2								
08	9	8	04	.438-28 UNEF	.750 [19.1]	.969 [24.6]	.69 [17.5]	.91 [23.1]	1.15 [29.2]	.85 [21.6]
10	11	10	06	.562-24 UNEF	.850 [21.6]	1.063 [27.0]	.72 [18.3]	.93 [23.6]	1.21 [30.7]	.97 [24.6]
12	13	12	08	.688-24 UNEF	1.000 [24.4]	1.219 [31.0]	.74 [18.8]	.96 [24.4]	1.28 [32.5]	1.10 [27.9]
14	15	14	10	.812-20 UNEF	1.142 [29.00]	1.406 [35.7]	.76 [19.3]	.98 [24.9]	1.34 [34.0]	1.22 [31.0]
16	17	16	12	.938-20 UNEF	1.250 [31.8]	1.469 [37.3]	.79 [20.1]	1.00 [25.4]	1.40 [35.6]	1.35 [34.3]
18	19	18	12	1.062-18 UNEF	1.400 [35.6]	1.594 [40.5]	.81 [20.6]	1.03 [26.2]	1.46 [37.1]	1.41 [35.8]
20	21	20	14	1.188-18 UNEF	1.500 [38.1]	1.750 [44.5]	.84 [21.3]	1.06 [26.9]	1.53 [38.9]	1.53 [38.9]
22	23	22	16	1.312-18 UNEF	1.650 [41.9]	1.844 [46.8]	.87 [22.1]	1.08 [27.4]	1.59 [40.4]	1.66 [42.2]
24	25	24	18	1.438-18 UNEF	1.750 [44.45]	2.031 [51.6]	.89 [22.6]	1.11 [28.2]	1.65 [41.9]	1.78 [45.2]

TABLE II									
ENTRY SIZE	Z +.010 -.020	S DIA		Y ±.015 [±0.38]	F MAX	G MAX	H MAX	J MAX	K MAX
04	.250 [6.35]	.376 .370	[9.56] [9.39]	.550 [13.97]	N/A	N/A	N/A	N/A	N/A
05	.312 [7.92]	.438 .432	[11.13] [10.97]	.612 [15.54]	.77 [19.6]	.93 [23.6]	1.19 [30.2]	1.16 [29.5]	.80 [20.3]
06	.375 [9.52]	.501 .495	[12.73] [12.57]	.675 [17.14]	.77 [19.6]	.93 [23.6]	1.19 [30.2]	1.16 [29.5]	.80 [20.3]
07	.437 [11.09]	.563 .556	[14.31] [14.12]	.737 [18.71]	.80 [20.3]	.95 [24.1]	1.38 [35.1]	1.22 [31.0]	.92 [23.4]
08	.500 [12.70]	.626 .619	[15.91] [15.72]	.800 [20.32]	.80 [20.3]	.95 [24.1]	1.38 [35.1]	1.22 [31.0]	.92 [23.4]
10	.625 [15.87]	.752 .742	[19.11] [18.84]	.925 [23.49]	.84 [21.3]	1.00 [25.4]	1.51 [38.4]	1.35 [34.3]	1.18 [30.0]
12	.750 [19.05]	.877 .867	[22.28] [22.02]	1.050 [26.67]	.88 [22.4]	1.01 [25.7]	1.63 [41.4]	1.40 [35.6]	1.35 [34.3]
14	.875 [22.23]	1.002 .991	[25.46] [25.17]	1.175 [29.84]	.88 [22.4]	1.04 [26.4]	1.78 [45.2]	1.46 [37.1]	1.41 [35.8]
16	1.000 [25.40]	1.127 1.116	[28.63] [28.34]	1.300 [33.02]	.93 [23.6]	1.06 [26.9]	1.88 [47.8]	1.53 [38.9]	1.60 [40.6]
18	1.125 [28.57]	1.252 1.241	[31.81] [31.52]	1.425 [36.19]	.93 [23.6]	1.09 [27.7]	2.01 [51.1]	1.59 [40.4]	1.66 [42.2]
20	1.250 [31.75]	1.377 1.366	[34.98] [34.69]	1.550 [39.37]	.98 [24.9]	1.13 [28.7]	2.13 [54.1]	1.78 [45.2]	2.04 [51.8]
22	1.375 [34.93]	1.502 1.488	[38.15] [37.79]	1.675 [42.55]	1.03 [26.2]	1.38 [35.1]	2.29 [58.2]	1.85 [47.0]	2.23 [56.6]
24	1.500 [38.10]	1.627 1.613	[41.33] [40.97]	1.800 [45.72]	1.08 [27.4]	1.44 [36.6]	2.42 [61.5]	1.92 [48.8]	2.23 [56.6]

Raychem Adapters
CUSTOMER DRAWING

If this document is printed it becomes uncontrolled. Check for the latest revision

© 2006-12 Tyco Electronics Corporation, a TE connectivity Ltd. company. All rights reserved.

SIZE	CODE IDENT. NO.	DWG. NO.	REV
A	06090	TXR41	H
DO NOT SCALE THIS DRAWING		CAD NAME: txr41_3_h_cd_H	SHEET 3 OF 3



Компания «ЭлектроПласт» предлагает заключение долгосрочных отношений при поставках импортных электронных компонентов на взаимовыгодных условиях!

Наши преимущества:

- Оперативные поставки широкого спектра электронных компонентов отечественного и импортного производства напрямую от производителей и с крупнейших мировых складов;
- Поставка более 17-ти миллионов наименований электронных компонентов;
- Поставка сложных, дефицитных, либо снятых с производства позиций;
- Оперативные сроки поставки под заказ (от 5 рабочих дней);
- Экспресс доставка в любую точку России;
- Техническая поддержка проекта, помощь в подборе аналогов, поставка прототипов;
- Система менеджмента качества сертифицирована по Международному стандарту ISO 9001;
- Лицензия ФСБ на осуществление работ с использованием сведений, составляющих государственную тайну;
- Поставка специализированных компонентов (Xilinx, Altera, Analog Devices, Intersil, Interpoint, Microsemi, Aeroflex, Peregrine, Syfer, Eurofarad, Texas Instrument, Miteq, Cobham, E2V, MA-COM, Hittite, Mini-Circuits, General Dynamics и др.);

Помимо этого, одним из направлений компании «ЭлектроПласт» является направление «Источники питания». Мы предлагаем Вам помощь Конструкторского отдела:

- Подбор оптимального решения, техническое обоснование при выборе компонента;
- Подбор аналогов;
- Консультации по применению компонента;
- Поставка образцов и прототипов;
- Техническая поддержка проекта;
- Защита от снятия компонента с производства.



Как с нами связаться

Телефон: 8 (812) 309 58 32 (многоканальный)

Факс: 8 (812) 320-02-42

Электронная почта: org@eplast1.ru

Адрес: 198099, г. Санкт-Петербург, ул. Калинина, дом 2, корпус 4, литера А.