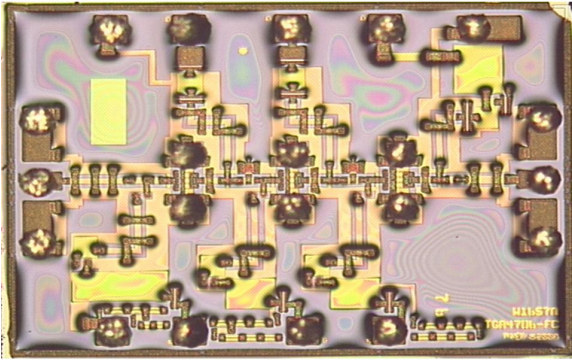
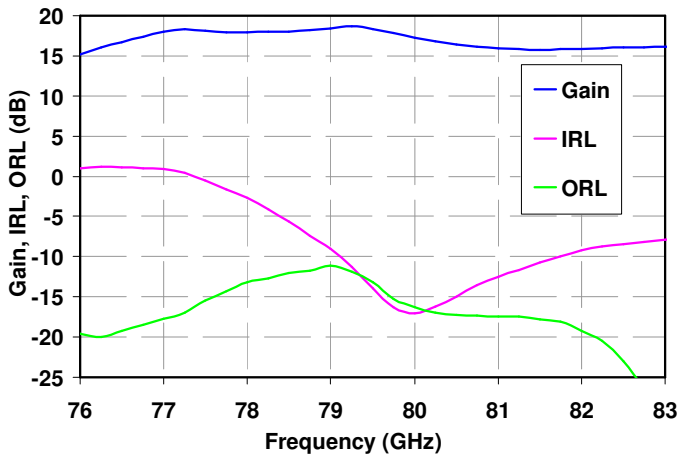
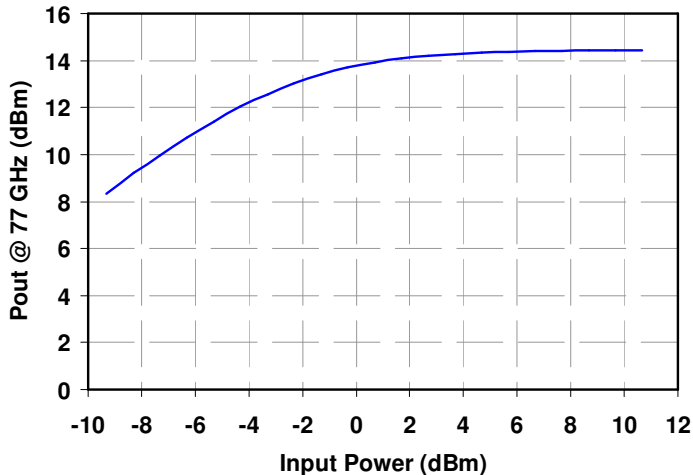


**77 GHz Medium Power Amplifier**



**Measured Performance**

Bias conditions:  $V_d = 3.5\text{ V}$ ,  $I_{dq} = 125\text{ mA}$ ,  $V_g = +0.2\text{ V}$  Typical



**Key Features**

- Frequency Range: 76 - 83 GHz
- Psat: 14 dBm at 77 GHz
- Gain: 15 dB
- Bias:  $V_d = 3.5\text{ V}$ ,  $V_g = +0.2\text{ V}$ ,  $I_{dq} = 125\text{ mA}$  Typical
- Technology: 0.13  $\mu\text{m}$  pHEMT with front-side Cu/Sn pillars
- Chip Dimensions: 1.86 x 1.37 x 0.38 mm

**Primary Applications**

- Automotive Radar
- E-Band Communication

**Product Description**

The TriQuint TGA4706-FC is a flip-chip medium power amplifier designed to operate at the automotive radar frequencies band. The TGA4706-FC is designed using TriQuint's proven 0.13  $\mu\text{m}$  pHEMT process and front-side Cu / Sn pillar technology for simplified assembly and low interconnect inductance. Die reliability is enhanced by using TriQuint's BCB polymeric passivation process.

The TGA4706-FC typically provides 14 dBm saturated output power with 15 dB small signal gain at 77 GHz.

Lead-free and RoHS compliant.

**Table I**  
**Absolute Maximum Ratings 1/**

<b>Symbol</b>	<b>Parameter</b>	<b>Value</b>	<b>Notes</b>
Vd-Vg	Drain to Gate Voltage	6 V	
Vd	Drain Voltage	4 V	2/
Vg	Gate Voltage Range	-2 to +0.45 V	
Id	Drain Current	240 mA	2/
Ig	Gate Current	4 mA	
Pin	Input Continuous Wave Power	15 dBm	2/

- 1/ These ratings represent the maximum operable values for this device. Stresses beyond those listed under “Absolute Maximum Ratings” may cause permanent damage to the device and / or affect device lifetime. These are stress ratings only, and functional operation of the device at these conditions is not implied.
- 2/ Combinations of supply voltage, supply current, input power, and output power shall not exceed the maximum power dissipation listed in Table IV.

**Table II**  
**Recommended Operating Conditions**

<b>Symbol</b>	<b>Parameter 1/</b>	<b>Value</b>
Vd	Drain Voltage	3.5 V
Vg	Gate Voltage	+0.2 V
Idq	Drain Current (Quiescent)	125 mA

- 1/ See assembly diagram for bias instructions.

**Table III**  
**RF Characterization Table**

**Bias conditions:  $V_d = 3.5\text{ V}$ ,  $V_g = +0.2\text{ V}$ ,  $I_{dq} = 125\text{ mA}$  Typical**

<b>SYMBOL</b>	<b>PARAMETER</b>	<b>TEST CONDITIONS</b>	<b>MINIMUM</b>	<b>NOMINAL</b>	<b>UNITS</b>
Gain	Small Signal Gain	$f = 76\text{-}77\text{ GHz}$		15	dB
IRL	Input Return Loss	$f = 76\text{-}77\text{ GHz}$		4	dB
ORL	Output Return Loss	$f = 76\text{-}77\text{ GHz}$		15	dB
Psat	Saturated Output Power	$f = 77\text{ GHz}$		14	dBm
Pout	Output Power (Input Power=-3dBm)	$f = 77\text{ GHz}$	9	12	dBm

**Table IV**  
**Power Dissipation and Thermal Properties**

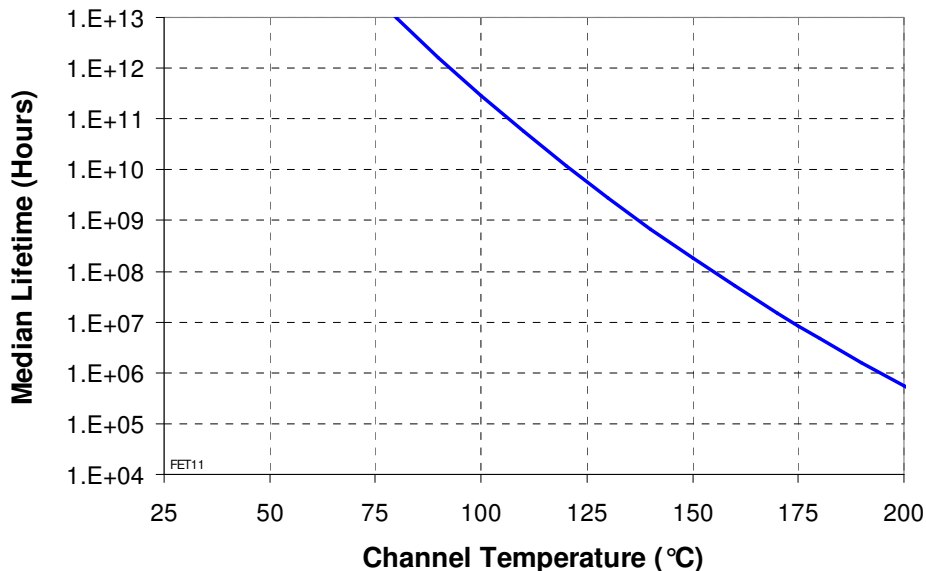
Parameter	Test Conditions	Value	Notes
Maximum Power Dissipation	Tbaseplate = 130.0°C	Pd = 0.6 W Tchannel = 150°C Tm = 2.4E+7 Hrs	1/ 2/
Thermal Resistance, $\theta_{jc}$ Under RF Drive	Vd = 3.5 V Vg = +0.2 V Idq = 125 mA Pd = 0.438 W Tbaseplate = 85°C	$\theta_{jc}$ = 33.3 (°C/W) Tchannel = 93.8°C Tm = 3.2E+10 Hrs	
Mounting Temperature		Refer to Solder Reflow Profiles (pp 10)	
Storage Temperature		-65 to 150°C	

1/ For a median life of 2.4E+07 hours, Power Dissipation is limited to

$$Pd(max) = (150^\circ C - Tbase^\circ C) / \theta_{jc}$$

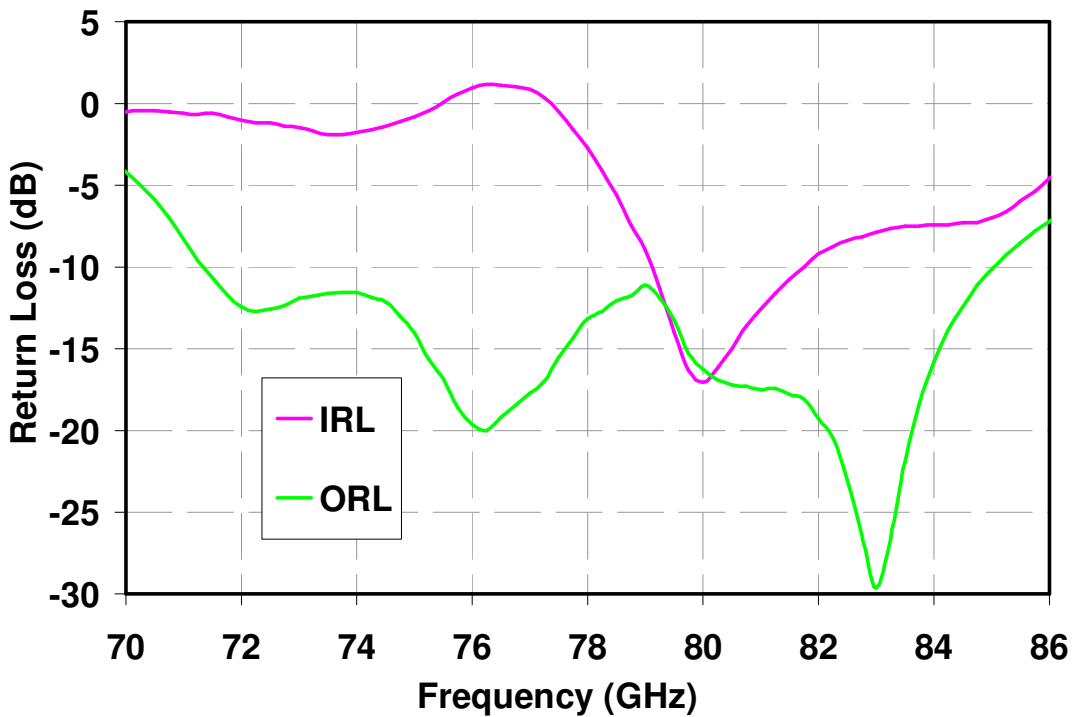
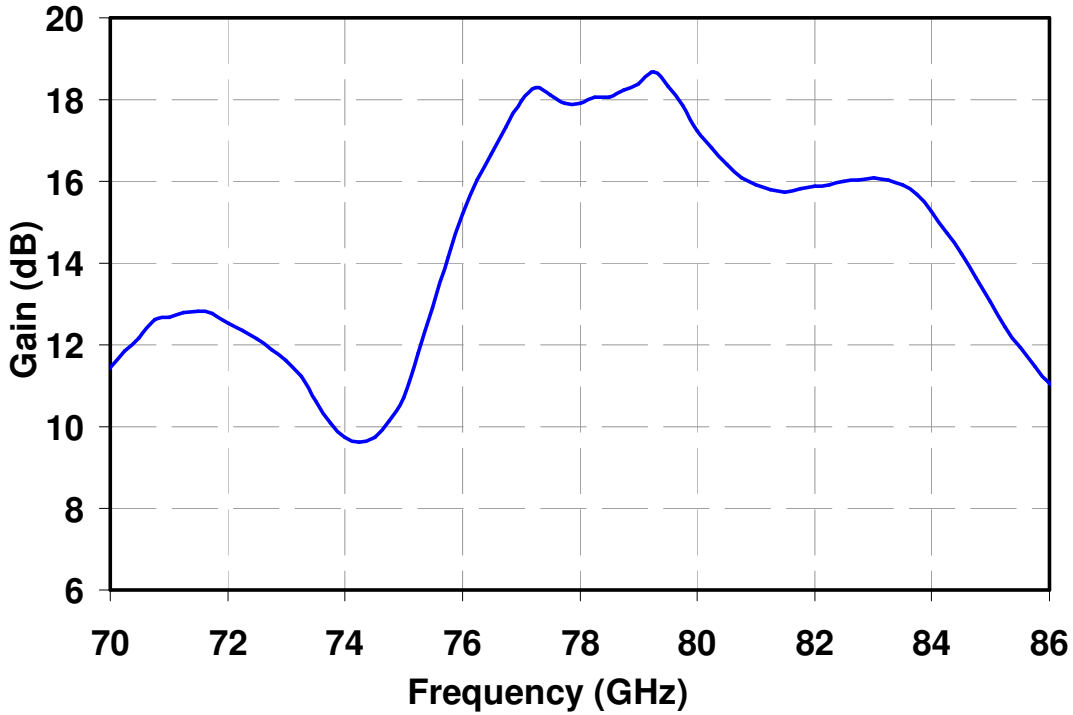
2/ Channel operating temperature will directly affect the device median time to failure (MTTF). For maximum life, it is recommended that channel temperatures be maintained at the lowest possible levels.

**Median Lifetime (Tm) vs Channel Temperature**



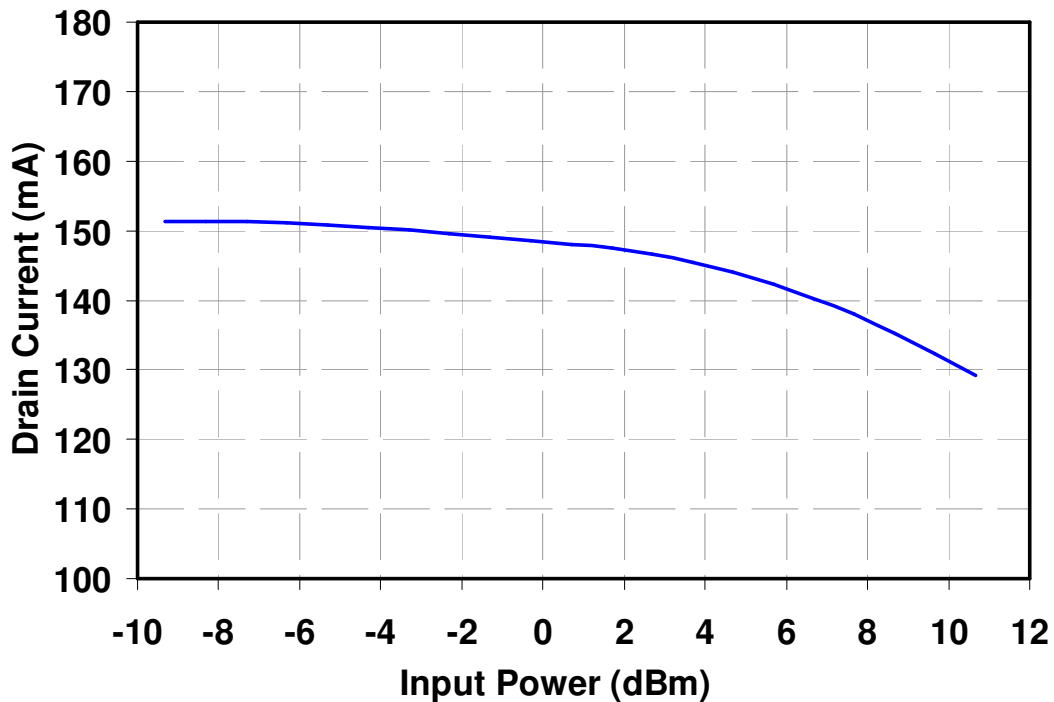
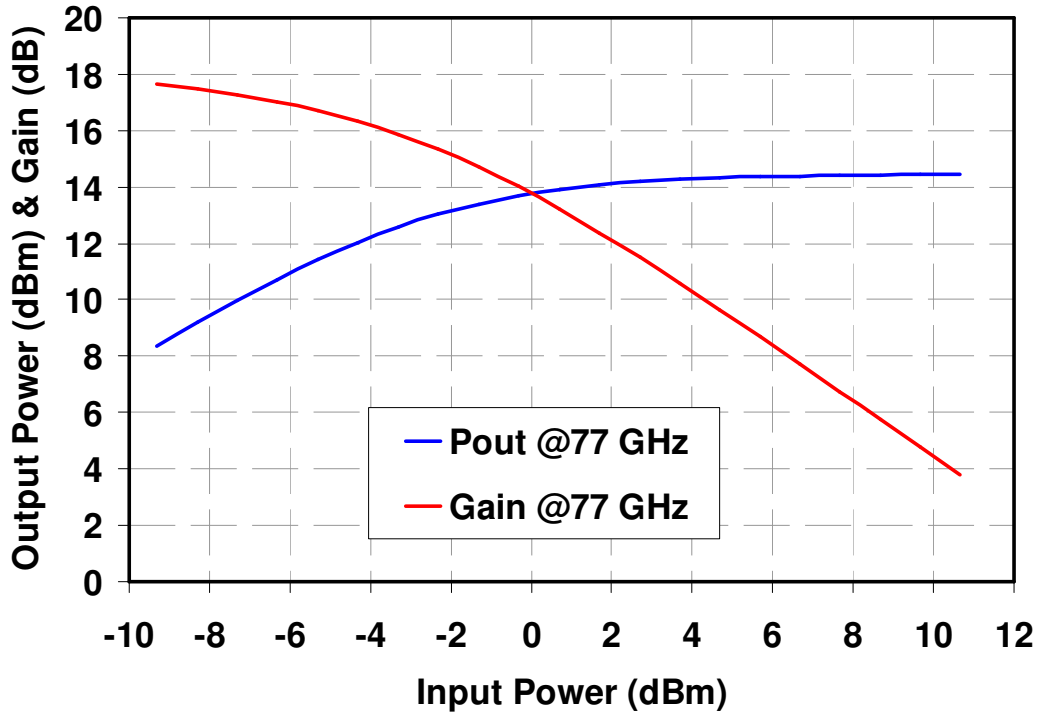
**Measured Data on Flipped Die on Carrier Board**

Bias conditions:  $V_d = 3.5\text{ V}$ ,  $V_g = +0.2\text{ V}$ ,  $I_{dq} = 125\text{ mA Typical}$

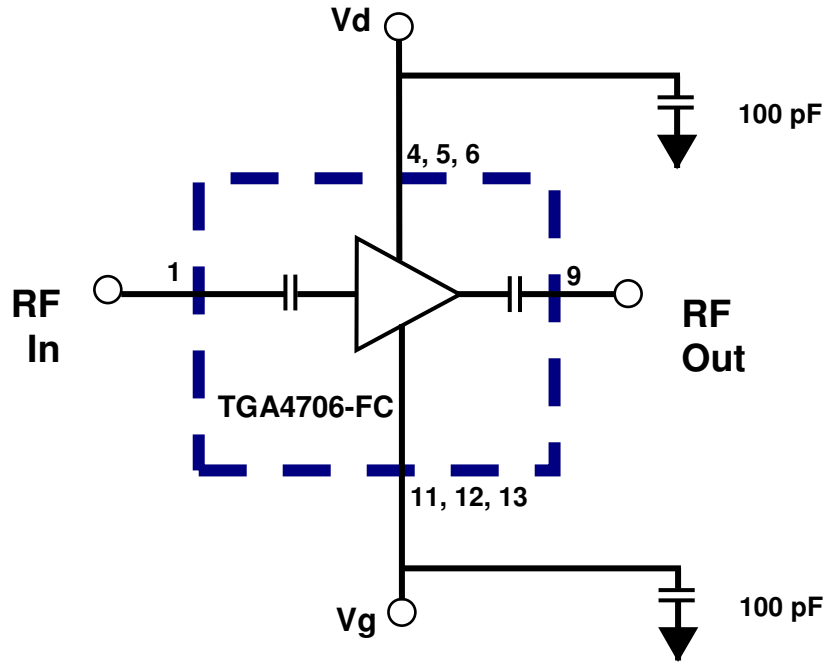


**Measured Data on Flipped Die on Carrier Board**

Bias conditions:  $V_d = 3.5\text{ V}$ ,  $V_g = +0.2\text{ V}$ ,  $I_{dq} = 125\text{ mA}$  Typical



**Electrical Schematic**



**Bias Procedures**

**Bias-up Procedure**

Vg set to -0.6 V

Vd set to +3.5 V

Adjust Vg more positive until Vg is +0.2 V.  
Id will be ~ 125 mA

Apply RF signal to input

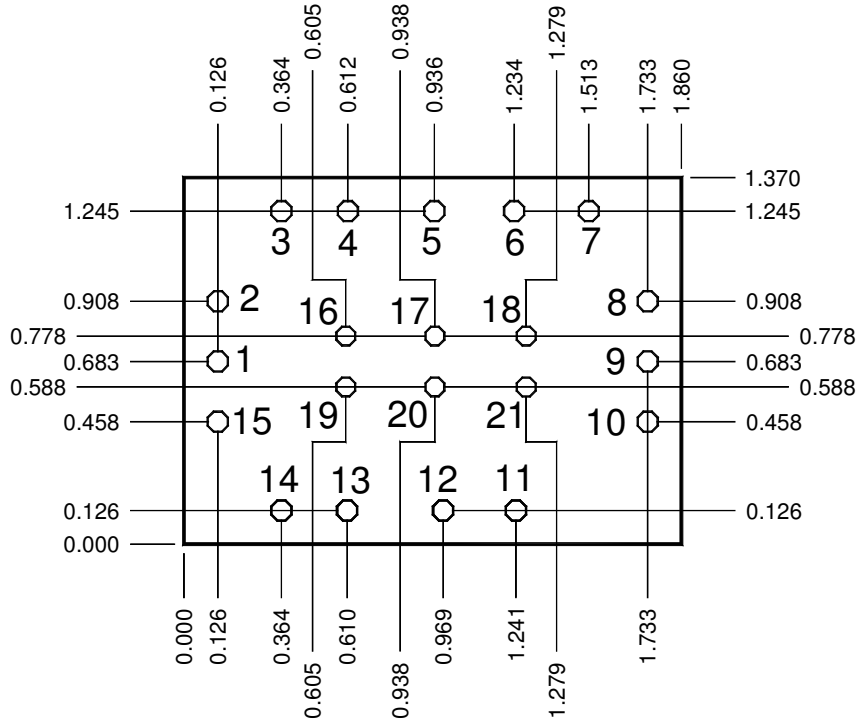
**Bias-down Procedure**

Turn off RF supply

Reduce Vg to -0.6V. Ensure Id ~ 0 mA

Turn Vd to 0 V

**Mechanical Drawing**  
Drawing is for chip face-up



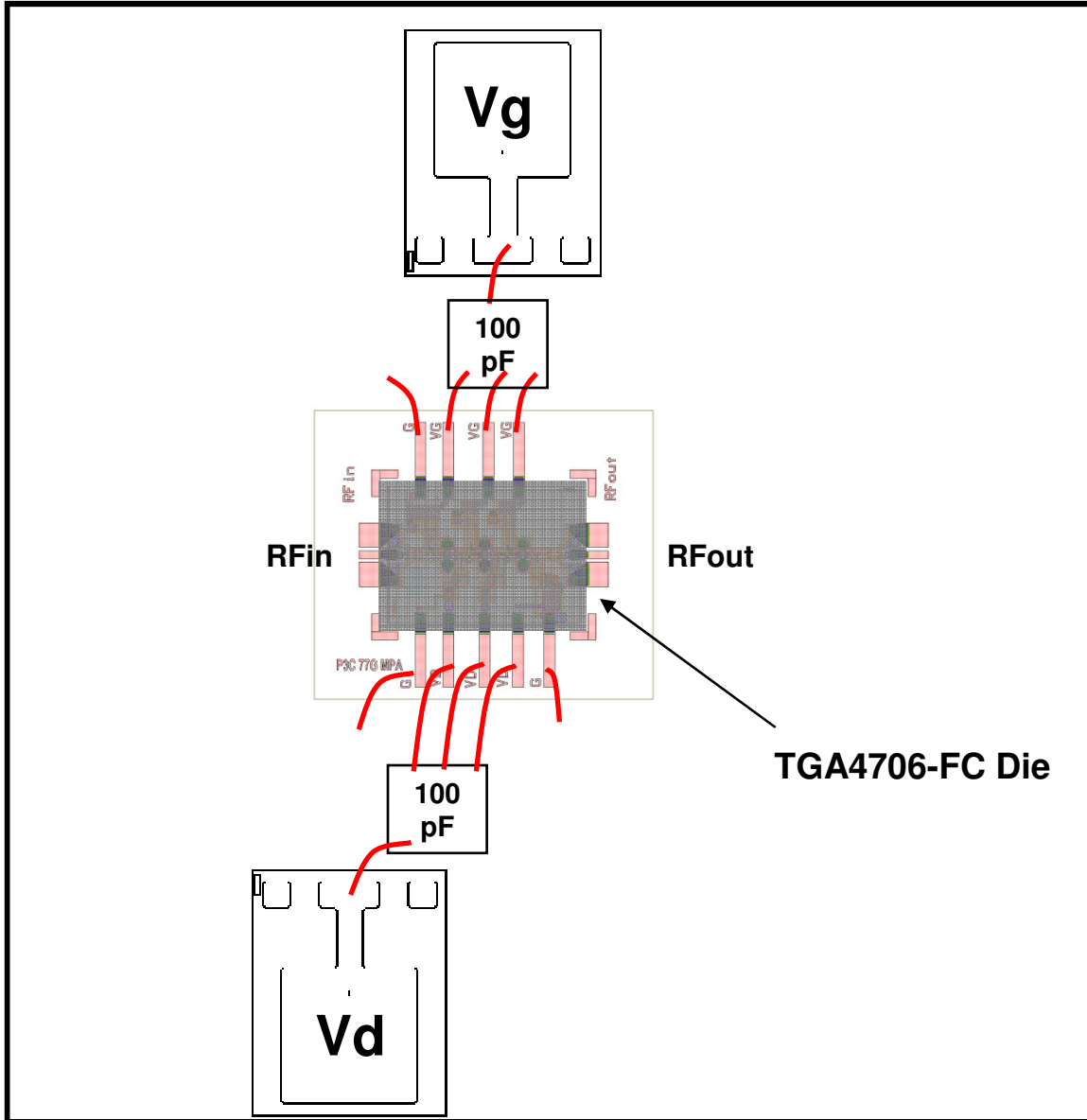
Units: millimeters      Thickness: 0.380  
Die x,y size tolerance: +/- 0.050  
Chip edge to pillar dimensions are shown to center of pillar

Pillar # 1	RF IN	0.075 Ø
Pillar # 9	RF OUT	0.075 Ø
Pillar # 4	Vd1	0.075 Ø
Pillar # 5	Vd2	0.075 Ø
Pillar # 6	Vd3	0.075 Ø
Pillar # 11	Vg3	0.075 Ø
Pillar # 12	Vg2	0.075 Ø
Pillar # 13	Vg1	0.075 Ø
Pillar # 2, 8, 10, 15	RF CPW Ground	0.075 Ø
Pillar # 3, 7, 14, 16, 17, 18, 19, 20, 21	DC Ground	0.075 Ø

**GaAs MMIC devices are susceptible to damage from Electrostatic Discharge. Proper precautions should be observed during handling, assembly and test.**



**Recommended Assembly Diagram**



Die is flip-chip soldered to a 15 mil thick alumina test substrate

***GaAs MMIC devices are susceptible to damage from Electrostatic Discharge. Proper precautions should be observed during handling, assembly and test.***

## Assembly Notes

Component placement and die attach assembly notes:

- Vacuum pencils and/or vacuum collets are the preferred method of pick up.
- Air bridges must be avoided during placement.
- Cu pillars on die are 65 um tall with a 22 um tall Sn solder cap.
- Recommended board metallization is evaporated TiW followed by nickel/gold at pillar attach interface. Ni is the adhesion layer for the solder and the gold keeps the Ni from oxidizing. The Au should be kept to a minimum to avoid embrittlement; suggested Au / Sn mass ratio must not exceed 8%.
- Au metallization is not recommended on traces due to solder wicking and consumption concerns. If Au traces are used, a physical solder barrier must be applied or designed into the pad area of the board. The barrier must be sufficient to keep the solder from undercutting the barrier.

Reflow process assembly notes:

- Minimum alloying temperatures 245 °C.
- Repeating reflow cycles is not recommended due to Sn consumption on the first reflow cycle.
- An alloy station or conveyor furnace with an inert atmosphere such as N2 should be used.
- Dip copper pillars in “no-clean flip chip” flux prior to solder attach. Suggest using a high temperature flux. Avoid exposing entire die to flux.
- If screen printing flux, use small apertures and minimize volume of flux applied.
- Coefficient of thermal expansion matching between the MMIC and the substrate/board is critical for long-term reliability.
- Devices must be stored in a dry nitrogen atmosphere.
- Suggested reflow will depend on board material and density.

## Typical Reflow Profiles for TriQuint Cu / Sn Pillars

Process	Sn Reflow
Ramp-up Rate	3 °C/sec
Flux Activation Time and Temperature	60 – 120 sec @ 140 – 160 °C
Time above Melting Point (245 °C)	60 – 150 sec
Max Peak Temperature	300 °C
Time within 5 °C of Peak Temperature	10 – 20 sec
Ramp-down Rate	4 – 6 °C/sec

## Ordering Information

Part	Package Style
TGA4706-FC	GaAs MMIC Die

***GaAs MMIC devices are susceptible to damage from Electrostatic Discharge. Proper precautions should be observed during handling, assembly and test.***



Компания «ЭлектроПласт» предлагает заключение долгосрочных отношений при поставках импортных электронных компонентов на взаимовыгодных условиях!

Наши преимущества:

- Оперативные поставки широкого спектра электронных компонентов отечественного и импортного производства напрямую от производителей и с крупнейших мировых складов;
- Поставка более 17-ти миллионов наименований электронных компонентов;
- Поставка сложных, дефицитных, либо снятых с производства позиций;
- Оперативные сроки поставки под заказ (от 5 рабочих дней);
- Экспресс доставка в любую точку России;
- Техническая поддержка проекта, помощь в подборе аналогов, поставка прототипов;
- Система менеджмента качества сертифицирована по Международному стандарту ISO 9001;
- Лицензия ФСБ на осуществление работ с использованием сведений, составляющих государственную тайну;
- Поставка специализированных компонентов (Xilinx, Altera, Analog Devices, Intersil, Interpoint, Microsemi, Aeroflex, Peregrine, Syfer, Eurofarad, Texas Instrument, Miteq, Cobham, E2V, MA-COM, Hittite, Mini-Circuits, General Dynamics и др.);

Помимо этого, одним из направлений компании «ЭлектроПласт» является направление «Источники питания». Мы предлагаем Вам помощь Конструкторского отдела:

- Подбор оптимального решения, техническое обоснование при выборе компонента;
- Подбор аналогов;
- Консультации по применению компонента;
- Поставка образцов и прототипов;
- Техническая поддержка проекта;
- Защита от снятия компонента с производства.



#### Как с нами связаться

**Телефон:** 8 (812) 309 58 32 (многоканальный)

**Факс:** 8 (812) 320-02-42

**Электронная почта:** [org@eplast1.ru](mailto:org@eplast1.ru)

**Адрес:** 198099, г. Санкт-Петербург, ул. Калинина, дом 2, корпус 4, литера А.