



## 2.5Gbps Ethernet Media Access Controller IP Core

---

User's Guide

---

## Introduction

This document provides technical information about the Lattice 2.5Gbps Ethernet Media Access Controller (2.5Gbps MAC) IP core shown in Figure 1.

The 2.5Gbps MAC IP core comes with the following documentation and files:

- Protected netlist/database
- Behavioral RTL simulation model
- Source files for instantiating and evaluating the core

The 2.5Gbps MAC IP core evaluation package includes a reference design that is used to instantiate, simulate, map, place and route the core in an example working design. Additional details on this reference design are given in an appendix of this document.

The 2.5Gbps MAC IP core supports Lattice's IP hardware evaluation capability, which makes it possible to create versions of the IP core that operate in hardware for a limited period of time (approximately four hours) without requiring the purchase of an IP license. It may also be used to evaluate the core in hardware in user-defined designs. Details for using the hardware evaluation capability are described in the Hardware Evaluation section of this document.

## Features

- Compliant to IEEE 802.3z standard
- Generic 8-bit host interface
- 8-bit wide internal data path
- Generic transmit and receive FIFO interface
- Full-duplex operation
- Transmit and receive statistics vector
- Programmable Inter Packet Gap (IPG)
- Multicast address filtering
- Supports
  - Full-duplex control using PAUSE frames
  - VLAN tagged frames
  - Automatic re-transmission on collision
  - Automatic padding of short frames
  - Multicast and Broadcast frames
  - Optional FCS transmission and reception
  - Optional MII management interface module
- Supports jumbo frames up to 9600 bytes

## General Description

The 2.5Gbps MAC core can support data rates of 1Gbps or 2.5Gbps in LatticeSC™ and LatticeSCM™ devices. The 2.5Gbps MAC transmits and receives data between a host processor and an Ethernet network. The main function of the Ethernet MAC is to ensure that the Media Access rules specified in the 802.3 IEEE standards are met while transmitting and receiving Ethernet frames. Figure 2 shows the frame format of Ethernet packets transmitted and received on the Ethernet network using the 2.5Gbps MAC.

The data received from the GMII interface is first buffered until sufficient data is available to be processed by the Receive MAC (Rx MAC). The Preamble and the Start of Frame Delimiter (SFD) information are then extracted from

---

the incoming frame to determine the start of a valid frame. The Receive MAC checks the address of the received packet and validates whether the frame can be received before transferring it into the FIFO. Only valid frames are transferred into the FIFO. The 2.5Gbps MAC however always calculates CRC to check whether the frame was received error-free or not.

When transmitting a frame the DA, SA, L/T, and DATA fields are derived from higher layers. This frame is sent via the FIFO interface to the Transmit MAC (Tx MAC) where it is encapsulated into an Un-tagged Ethernet frame. This frame is not sent over the network until the network has been idle for a minimum of Inter Packet Gap (IPG) time. The Frame encapsulation consists of adding the Preamble bits, the Start of Frame Data (SFD) bits and the CRC check sum to the end of the frame (FCS). If padding is not disabled, all short frames are padded with hexadecimal 55.

### Core Block Diagram

Figure 1. 2.5Gbps Ethernet MAC Core Block Diagram

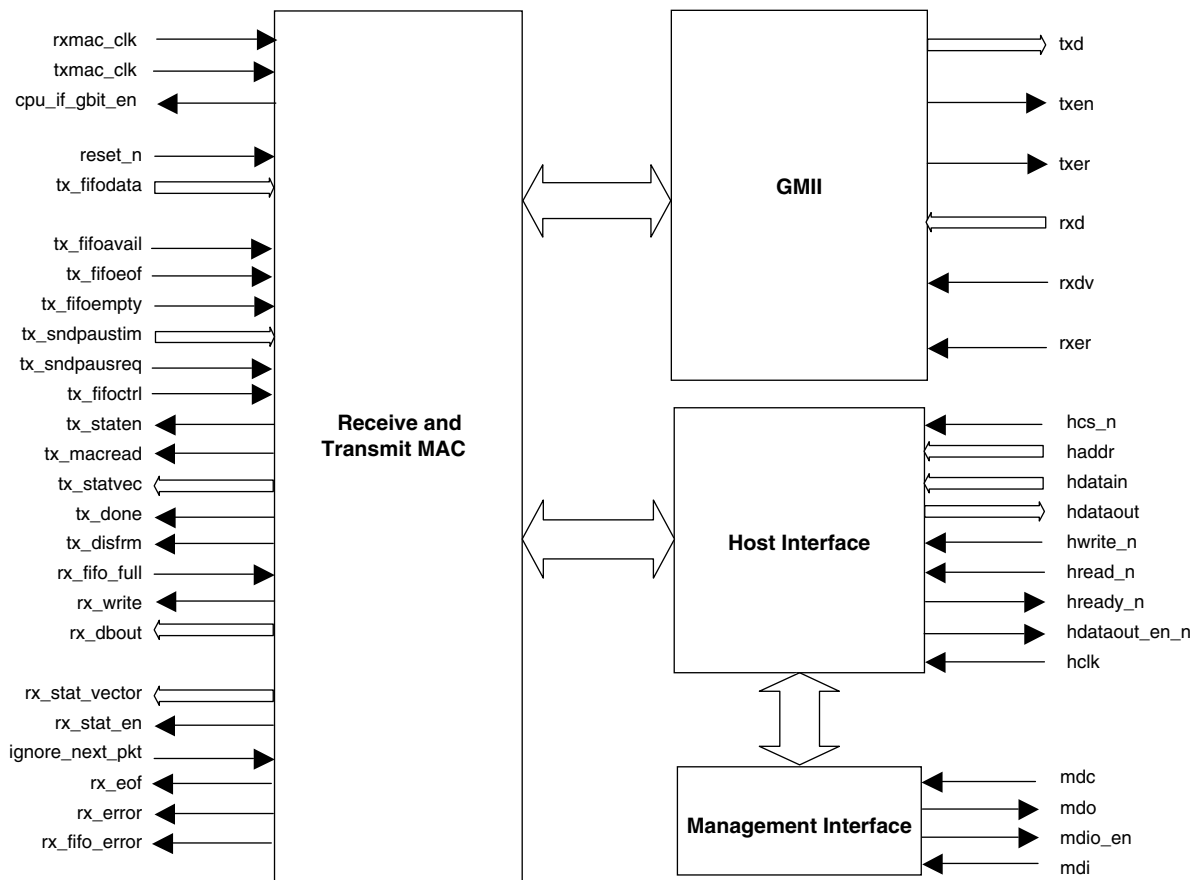


Figure 2. Un-Tagged Ethernet Frame Format

PREAMBLE	SFD	DESTINATION ADDRESS	SOURCE ADDRESS	LENGTH/TYPE	DATA/PAD	FRAME CHECK SEQUENCE
7 bytes	1 byte	6 bytes	6 bytes	2 bytes	46-1500 bytes	4 bytes

A Tagged frame includes a 4-byte VLAN Tag field, which is located between the Source Address field and the Length/Type field. The VLAN Tag field includes the VLAN Identifier and other control information needed when operating with Virtual Bridged LANs as described in IEEE P802.1Q.

### System Block Diagrams

Figure 3 shows a FPGA system level block diagram of how the 2.5Gbps MAC core is instantiated and used in a 1Gbps application with a GMII interface. Note that the MAC core needs a certain amount of support logic like PLLs, I/O buffers and I/O flip flops to meet the IEEE 802.3 I/O specifications.

Figure 4 shows a FPGA system level block diagram of how the 2.5Gbps MAC core is instantiated and used in a 1Gbps or 2.5Gbps application with a SERDES interface.

**Figure 3. 1Gbps System Application Diagram of 2.5Gbps MAC**

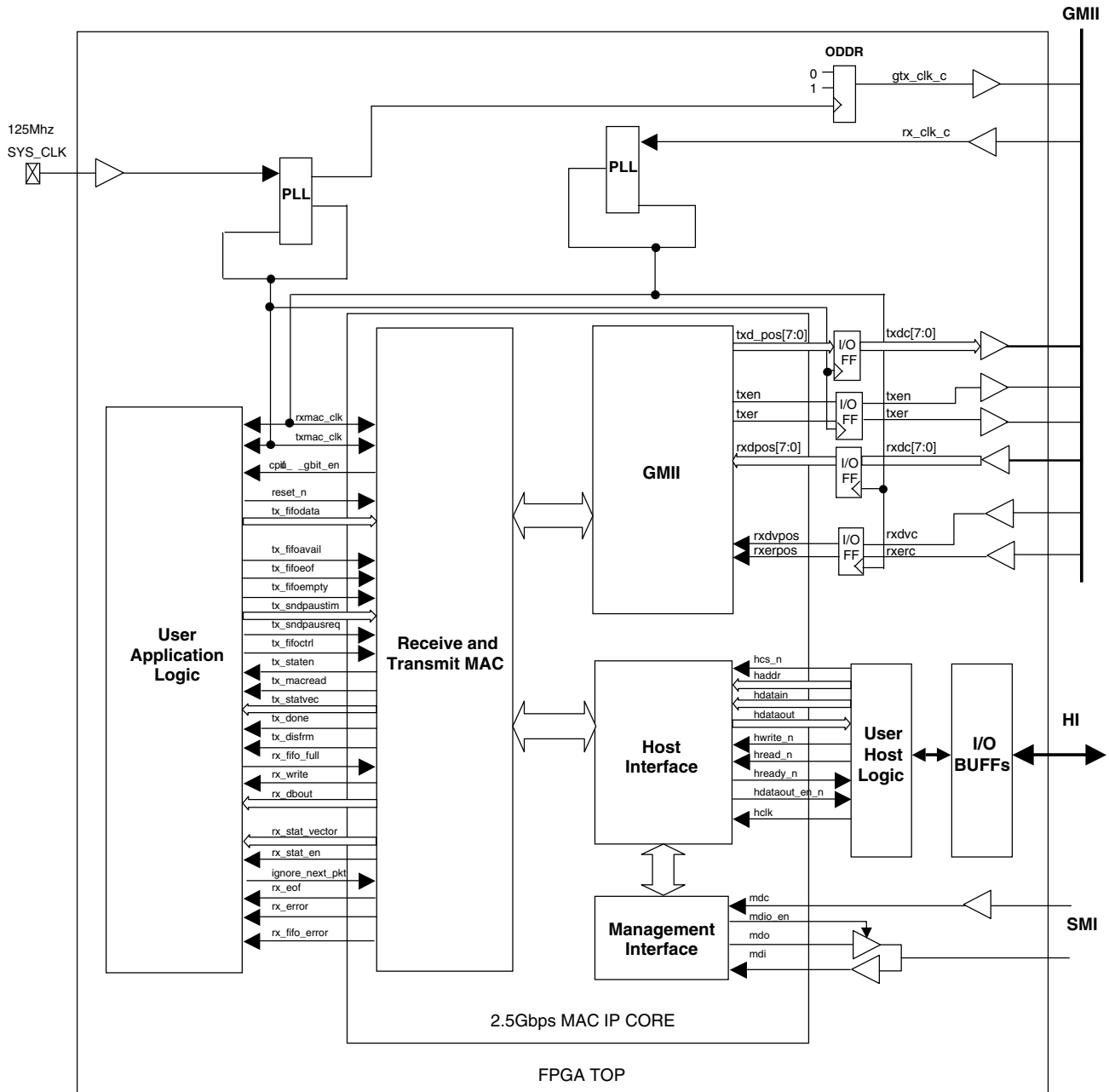
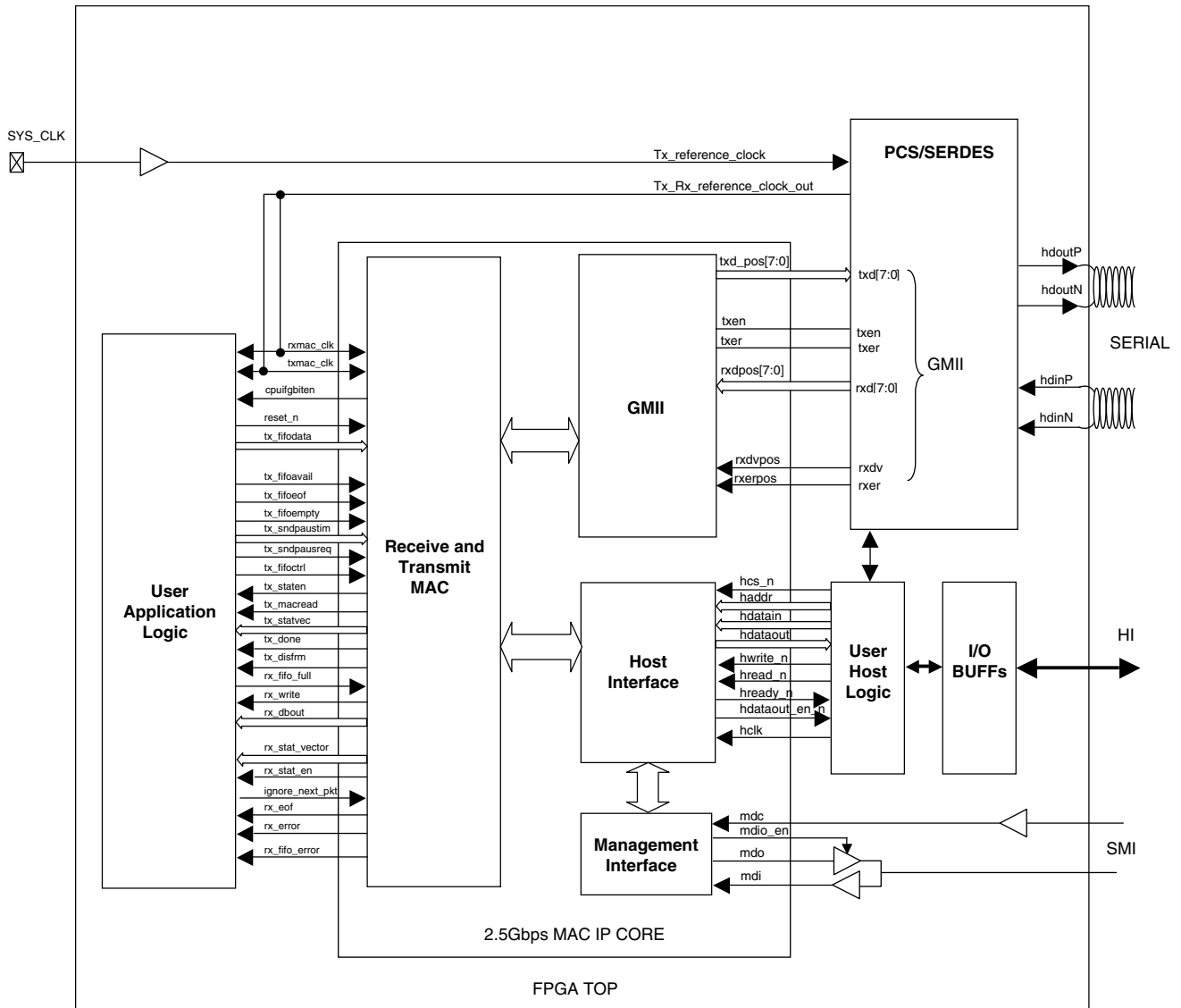


Figure 4. 2.5Gbps System Application Diagram of 2.5Gbps MAC



## Signal Descriptions

Table 1. 2.5Gbps MAC Input and Output Signals

Port Name	Type	Active State	Description
<b>Clocks, Reset and Other</b>			
rxmac_clk	Input	N/A	<b>Receive MAC Application I/F Clock.</b> This clock is used by the client application and MAC, all outputs driven by the Rx MAC on the client side are synchronous to this clock. This clock's frequency is 125 MHz or 312.5 MHz, depending on the rate of operation: 1Gbps or 2.5Gbps. All Rx MAC bytes are aligned with this clock. This clock is derived from the system GMII rx_clk.
txmac_clk	Input	N/A	<b>Transmit MAC Application I/F Clock.</b> This clock is used by the client application and MAC, all inputs to the Tx MAC on the client side should be synchronous to this clock. This clock's frequency is 125 MHz or 312.5 MHz, depending on the rate of operation: 1 Gbps or 2.5 Gbps. All Tx MAC bytes are aligned with this clock. This clock is derived from the system sys_clk.
hclk	Input	N/A	<b>Host Clock.</b> This is the Host Bus clock, and is used to clock the Host Bus interface.
mdc	Input	N/A	<b>Management Data Clock.</b> This clock is used only when the Management Interface module is implemented.
reset_n	Input	Low	<b>Reset.</b> This is an active low signal that resets the internal registers and internal logic. When activated, the I/O signals are driven to their inactive levels.
<b>Host Interface</b>			
hcs_n	Input	Low	<b>Chip Select.</b> This is an active low signal used to select the core for register read/write operations.
haddr[7:0]	Input	N/A	<b>Address.</b> This selects one of the internal core registers.
hdatain[7:0]	Input	N/A	<b>Data Bus Input.</b> The CPU writes to the internal registers through the data bus.
hwrite_n	Input	Low	<b>Host Write.</b> This active low signal is used to write data to the selected register.
hread_n	Input	Low	<b>Host Read.</b> This active low signal is used to read data from the selected register.
hready_n	Output	Low	<b>Ready.</b> This is an active low signal used to indicate the end of transfer. For write operations, hready_n is asserted after data is accepted (written). For read operations hready_n is asserted after data on the hdataout bus is ready to be driven out.
hdataout_en_n	Output	Low	<b>Data Out Enable.</b> This signal is driven low whenever the 2.5Gbps MAC outputs valid data onto the hdataout bus. This signal can be used to build a bi-directional data bus.
hdataout[7:0]	Output	N/A	<b>Data Bus Output.</b> The CPU reads the internal registers through the data bus.
<b>Transmit MAC Application Interface</b>			
tx_fifoata[7:0]	Input	N/A	<b>Transmit FIFO Read Data Bus.</b> The data from the FIFO is presented on this bus.
tx_fifoavail	Input	High	<b>Transmit FIFO Data Available.</b> When asserted, this indicates that the Tx FIFO has data ready for transmission on the GMII interface. Once this signal is asserted by the client, a short delay later the frame will be transmitted. Therefore, the client needs to use an appropriate threshold on the client FIFO to indicate that a frame is ready to be sent and use that threshold as the tx_fifo_avail signal.
tx_fifoeof	Input	High	<b>Transmit FIFO End of Frame.</b> This signal is asserted along with the last byte of frame data indicating the end of the frame.
tx_fifoempty	Input	High	<b>Transmit FIFO Empty.</b> This indicates that the Tx FIFO is empty. When this signal is asserted and the 2.5Gbps MAC is reading the FIFO, the under-run condition is transferred to the network through the txer signal.
tx_sndpaustim[15:0]	Input	N/A	<b>PAUSE Frame Timer.</b> This indicates the PAUSE time value that should be sent in the PAUSE frame.
tx_sndpausreq	Input	High	<b>PAUSE Frame Request.</b> When asserted, the 2.5Gbps MAC transmits a PAUSE frame. This is also the qualifying signal for the tx_sndpausetim bus.
tx_fifoctrl	Input	N/A	<b>FIFO Control Frame.</b> This signal indicates whether the current frame in the Tx FIFO is a control frame or a data frame. It is qualified by the tx_avail signal. The following values apply: 1 = Control frame 0 = Normal frame.

Table 1. 2.5Gbps MAC Input and Output Signals (Continued)

Port Name	Type	Active State	Description
tx_staten	Output	High	<b>Transmit Statistics Vector Enable.</b> When asserted, the contents of the statistics vector bus tx_statvec are valid.
tx_macread	Output	High	<b>Transmit FIFO Read.</b> This is the 2.5Gbps MAC Transmit FIFO read request, asserted by the 2.5Gbps MAC when it intends to read the client FIFO. The MAC core will first assert the tx_macread signal if the client FIFO is Not Empty (i.e., tx_fifoempty = 0, after which the tx_macread may deassert, based on MAC processing, or re-assert, based on MAC processing and if tx_fifoempty is still 0). The tx_macread signal should be tied to the client FIFO read pin, and the FIFO empty pin should be tied to the tx_fifoempty of the MAC core.
tx_statvec[30:0]	Output	N/A	<b>Transmit Statistics Vector.</b> This includes useful information about the frame that was just transmitted. The corresponding bit locations of this bus are defined as follows: tx_statvec[0] – UNICAST frame tx_statvec[1] – Multicast frame tx_statvec[2] – BROACAST frame tx_statvec[3] – Bad FCS frame tx_statvec[4] – JUMBO frame tx_statvec[5] – FIFO under-run tx_statvec[6] – PAUSE frame tx_statvec[7] – VLAN tagged frame tx_statvec[21:8] – Number of bytes in the transmitted frame tx_statvec[22] – Deferred transmission tx_statvec[23] – Excessive deferred transmission tx_statvec[24:26] – RSVD tx_statvec[30] – FCS generation is disabled and a short frame was transmitted
tx_done	Output	High	<b>Transmit Done.</b> This signal is asserted for one clock cycle after transmitting a frame if no errors were present in transmission.
tx_discfrm	Output	High	<b>Discard Frame.</b> This signal is asserted at the end of a frame transmit process if the 2.5Gbps MAC detected an error. The possible conditions are: A FIFO under-run The user application normally moves the pointer to the next frame in these conditions.
<b>Management Interface Signals</b>			
mdi	Input	High	<b>Management Data Input.</b> Used to transfer information from the PHY to the management module.
mdo	Output	High	<b>Management Data Output.</b> Used to transmit information from the management module to the PHY.
mdio_en	Output	High	<b>Management Data Out Enable.</b> Asserted whenever mdo is valid. This may be used to implement a bi-directional signal for mdi and mdo.
<b>GMII Signals</b>			
txd_pos[7:0]	Output	High	<b>txd_pos[7:0] - Transmit Data Sent to the PHY.</b> These are the GMII transmit data signals (txd[7:0]).
txen	Output	High	<b>Transmit Enable.</b> Asserted by the 2.5Gbps MAC to indicate the txd bus contains valid frame.
txer	Output	High	<b>Transmit Error.</b> Asserted when the 2.5Gbps MAC generates a coding error on the byte currently being transferred.
rxdv_pos	Input	High	<b>Receive Data Valid.</b> GMII rxdv signal. This signal indicates receive data is valid.
rx_pos[7:0]	Input	N/A	<b>Receive Data Bus.</b> Data is driven by the PHY on these lines, and is valid whenever rxdv is asserted.
rxer_pos	Input	High	<b>Receive Data Error.</b> This signal is asserted by the external PHY device when it detects an error during frame reception.
<b>Management Interface Signals</b>			
rx_fifo_full	Input	High	<b>Receive FIFO Full.</b> This signal indicates the Rx FIFO is full and cannot accept any more data. This is an error condition and should never happen.
rx_write	Output	High	<b>Receive FIFO Write.</b> This signal is asserted by the 2.5Gbps MAC core to request a FIFO write.

**Table 1. 2.5Gbps MAC Input and Output Signals (Continued)**

Port Name	Type	Active State	Description
rx_dbout[7:0]	Output	N/A	<b>Receive FIFO Data Output.</b> This bus contains the data that is to be written into the Receive FIFO.
rx_stat_vector[31:0]	Output	N/A	<b>Receive Statistics Vector.</b> This bus indicates the events encountered during frame reception. This bus is qualified by the rx_stat_en signal. The definition of each signal is explained in the Receive MAC section of this document.
rx_stat_en	Output	High	<b>Receive Statistics Vector Enable.</b> When asserted, this indicates that the contents of the rx_stat_vector bus is valid.
ignore_next_pkt	Input	High	<b>Ignore Next Packet.</b> This signal is asserted by the host to prevent a Receive FIFO Full condition. The Receive MAC continues dropping packets as long as this signal is asserted. This is an asynchronous signal.
rx_eof	Output	High	<b>End Of Frame.</b> Indicates all the data for the current packet has passed on to the FIFO.
rx_error	Output	High	<b>Receive Packet Error.</b> When asserted, this signal indicates the packet contains error(s). This signal is qualified with the rx_eof signal.
rx_fifo_error	Output	High	<b>Receive FIFO Error.</b> This signal is asserted when the rx_fifo_full signal was detected asserted during a FIFO write. It is qualified by rx_eof.

## Parameter Descriptions

The 2.5Gbps MAC includes one configurable parameter to allow easy integration with the user's application. The configurable parameter is shown in Table 2.

**Table 2. 2.5Gbps MAC Configuration Parameter**

Parameter	Value Range	Default	Description
MIIM_MODULE	Include or Do Not Include	Include	This parameter determines whether the optional MIIM Module will be included in the core's implementation.

## Functional Description

The 2.5Gbps MAC IP core is a fully synchronous machine composed of Transmit and Receive MAC sections that operate independently to support full duplex operation.

The block diagram of the 2.5Gbps MAC core is shown in Figure 1. The major functional modules are:

- Host interface
- Receive MAC
- Transmit MAC
- Internal buffers and FIFO interfaces
- GMII
- Management Interface Module (Optional)

For 1Gbps operation with the GMII interface, the 125 MHz system clock is supplied to the Transmit MAC. The system clock is used to clock the GMII interface for data transmission. When receiving data, an external PHY device provides the 125 MHz clock to the GMII receive section. The 125 MHz clock is used to clock the Receive MAC.

For 1Gbps/2.5Gbps operation with SERDES, a PCS/SERDES block in the FPGA is used to tie to the GMII interface of the 2.5Gbps MAC. A reference clock can be sourced to the PCS/SERDES and the reference\_out\_clk from the SERDES can be used to clock both the Transmit MAC and the Receive MAC.



---

## Host Interface

The Host Interface module is a fully synchronous module that runs off the host clock. A number of registers are initialized via the Host interface to ensure that the 2.5Gbps MAC functions as intended. The write operation to an internal register is initiated when the `hcs_n` and `hwrite_n` signals are asserted and `hread_n` signal is deasserted. The address of the targeted register is placed on the `haddr` bus, while the valid data is placed on the `hdatain` bus. The contents of the address and data busses should remain unchanged until the 2.5Gbps MAC core asserts the `hready_n` signal. The signals `cs_n`, `hwrite_n` and `hread_n` must remain unchanged until `hready_n` is asserted.

A register read is initiated by asserting the `hcs_n` and `hread_n` signals, while keeping the `hwrite_n` signal deasserted. The address of the targeted register is placed on the `haddr` bus. The 2.5Gbps MAC places the content of the targeted register on the `hdataout` bus and qualifies it with the assertion of `hready_n` signal. The `haddr` bus should not change until the `hready_n` signal is asserted.

Figure 11 shows the timing diagram associated with the host interface write and read operations.

## Receive MAC (Rx MAC)

The main function of the Rx MAC is to accept the formatted data from the GMII interface and pass it to the host through an external FIFO. In this process, the Rx MAC performs the following functions:

- Detect the Start of Frame
- Compare the MAC address
- Re-calculate CRC
- Process the Control Frame and pass it to the flow control module.

The Rx MAC operation is determined by programming the `MODE` and `TX_RX_CTL` registers. Programming the `MODE` and `TX_RX_CTL` registers can control the Receive MAC operation. The various events that occur during the reception of a frame are logged into the `rx_stat_vector` signal and the `TX_RX_STS` register. At the end of reception, the `rx_stat_en` signal is asserted to qualify the `rx_stat_vector` signal. The 2.5Gbps MAC core can report a wealth of information such as

- FIFO overflow
- CRC error
- Receive error
- Short frame reception
- Long frame reception
- IPG violation

By default, the entire frame, except the preamble and SFD bytes, is sent to the FIFO via the Rx MAC application interface signals. If the user does not want to receive the FCS, the core can be programmed to strip the FCS field as well as any PAD bytes in the frame and send the rest to the FIFO.

The Rx MAC section operates on the `rxmac_clk` derived from the clock sourced from the PHY. All the signals on the Receive MAC FIFO interface are synchronous to this clock.

The Rx MAC is disabled while `reset_n` is low and should only be enabled after the associated registers are properly initialized.

---

### Receiving Frames

The frames received by the Rx MAC are analyzed and the Preamble and SFD bytes are stripped off the frame before it is transferred to an external FIFO. The interface between the MAC and the FIFO is 8 bits wide.

The default behavior of the MAC is to transfer the unmodified frame after stripping off the Preamble and SFD bytes. This behavior can be changed by setting bit [1] of the `TX_RX_CTL` register. When bit [1] is set, the Rx MAC strips the Preamble, SFD, FCS bytes and the PAD bytes, if any.

Once the frame is ready to be written into the FIFO, the Rx MAC asserts the `rx_write` signal, then presents the data on the `rx_dout` bus. The `rx_write` signal is asserted as long as the frame is being written. After transferring the entire frame into the FIFO, the Rx MAC asserts `rx_eof`, indicating the end of the frame. If the frame is received with errors, `rx_error` is asserted along with `rx_eof`. If the frame is received with no errors, `rx_error` remains de-asserted. In either case, a rich set of statistics vectors is presented, containing information about the frame that was received. The statistics vector bus, `rx_stat`, is qualified by the assertion of `rx_stat_en`.

If the Rx FIFO becomes full, `rx_fifo_full` is asserted and the frame data is lost. Therefore, the FIFO full condition must be avoided at all times. The `rx_fifo_error` signal will be asserted along with `rx_eof` for all frames written into the FIFO while it is full.

The Rx MAC goes to the IDLE state when it is done receiving the frame. This is indicated by bit[10] of the `TX_RX_STS` register. If the Rx MAC is disabled while it is in the process of receiving a frame, it goes to the IDLE state after it completes the current frame reception.

### Address Filtering

The Rx MAC offers several address filtering methods to effectively block unwanted frames. It also provides a PROMISCUOUS mode, in which all supported filtering schemes are abandoned and the Receive MAC transfers all the frames irrespective of the address they contain.

By default, the Rx MAC is configured to filter and discard Broadcast and Multicast frames. The MAC can be configured to receive Broadcast frames by setting bit [7] of the `TX_RX_CTL` register. Multicast frames are received only when bit [4] of the `TX_RX_CTL` register is set. When set, the Multicast frames are subject to filtering that is dependent on a hash table lookup. The six middle bits of the most significant byte of the CRC, calculated for the destination address field of the frame, are used to address one of the 64 bits of the hash table. If the retrieved bit is set, a Multicast addressed frame is received. If not, it is discarded.

All other regular frames are filtered based on the Rx MAC address programmed into the `MAC_ADDR_0`, `MAC_ADDR_1` and `MAC_ADDR_2` registers.

### Filtering based on Frame Length

The default minimum Ethernet frame size is 64 bytes. Any frame smaller than 64 bytes could possibly be a collision fragment. By default, the Rx MAC is configured to ignore bytes shorter than 64 bytes. The user can configure the MAC to receive shorter frames by setting bit [8] of the `TX_RX_CTL` register. Whenever a short frame is received, the appropriate bit is set in the statistics vector, marking it as a Short frame.

The Rx MAC has been designed to receive frames larger than the standard specified maximum as easily as any other frame. This ensures the MAC can work in environments that can generate jumbo frames. However, for statistics purposes, the user can set the maximum length of the frame in the `MAX_PKT_SIZE` register. When a received frame is larger than the number in this register, bit [31] of the Receive Statistics Vector bus is set, marking it as a Long frame.

### Receiving a PAUSE Frame

When the Rx MAC receives a PAUSE frame, the Tx MAC continues with the current transmission, then pauses for the duration indicated in the PAUSE time. During this time, the Tx MAC can transmit Control frames.

Although PAUSE frames may contain the Multicast Address, Multicast filtering rules do not apply to them. If bit [3] of the `TX_RX_CTL` register is set, the Rx MAC will signal the Tx MAC to stop transmitting for the duration specified

in the frame. If this bit is reset, the Rx MAC assumes the Tx MAC does not have the PAUSE capability and/or does not wish to be paused and will not signal it to stop transmitting. In either case, the PAUSE frame is received and transferred to the FIFO.

### Statistics Vector

By default, a Statistics Vector is generated for all received frames transferred to the external FIFO. If the user wants the Rx MAC to ignore all incoming frames, then the input signal `ignore_next_pkt` must be asserted. In this case, a frame that should have been received is ignored and the Rx MAC sets the Packet Ignored bit (bit 26) of the Statistics Vector.

The `MAX_PKT_SIZE` register is programmed by the user as a threshold for setting the Long Frame bit of the Statistics Vector. This value is used for Un-tagged frames only. The Receive MAC will add “4” to the value specified in this register for all VLAN tagged frames when checking against the number of bytes received in the frame. This is because all VLAN tagged frames have additional four bytes of data.

When a tagged frame is received, the entire VLAN tag field is stored in the `VLAN_TAG` register. Additionally, every time a statistics vector is generated, some of the bits are written into the corresponding bit locations [9:1] of the `TX_RX_STS` register. This is done so the user can get this information via the Host interface.

The description of the bits in the Statistics Vector bus is shown in Table 3.

**Table 3. Receive Statistics Vector Description**

Bit	Description
31	<b>Long Frame.</b> This bit is set when a frame longer than that specified in the <code>MAX_PKT_SIZE</code> register is received.
30	<b>Short Frame.</b> This bit is set when a frame shorter than 64 bytes is received.
29	<b>IPG Violation.</b> This bit is set when a frame is received before the IPG timer runs out.
28	<b>Preamble Shrink.</b> This bit is asserted if the number of Preamble bytes received is not equal to seven.
27	<b>Carrier Event Previously Seen.</b> This bit is set when the SFD field was not found in a received packet but the data valid was asserted.
26	<b>Packet Ignored.</b> When set, this indicates the incoming packet is to be ignored.
25	<b>CRC Error.</b> This bit is set when a frame is received with an error in the CRC field.
24	<b>Length Check OK.</b> This bit is set if the number of data bytes in the incoming frame matches the value in the length field of the frame.
23	<b>Receive OK.</b> This bit is set if the frame is received without any error.
22	<b>Multicast Address.</b> This bit is set to indicate the received frame contains a Multicast Address.
21	<b>Broadcast Address.</b> This bit is set to indicate the received frame contains a Broadcast Address.
20	Not used.
19	<b>Unsupported Opcode.</b> This bit is set if the received control frame has an unsupported opcode. In this version of the IP, only the opcode for a PAUSE frame is supported.
18	<b>Control Frame.</b> This bit is set to indicate that a Control frame was received.
17	<b>PAUSE Frame.</b> This bit is set when the received Control frame contains a valid PAUSE opcode.
16	<b>VLAN Tag Detected.</b> This bit is set when the 2.5Gbps MAC receives a VLAN Tagged frame.
15:0	<b>Frame Byte Count.</b> This contains the length of the frame that was received. The frame length includes the DA, SA, L/T, TAG, DATA, PAD and FCS fields.

### Transmit MAC (Tx MAC)

The Tx MAC is responsible for controlling access to the physical medium. The TxMAC reads data from an external TxFIFO when it detects an active `tx_fifoavail`. The Tx MAC then formats this data into an Ethernet packet and passes it to the GMII module.

The Tx MAC is disabled while `reset_n` is low and should only be enabled only after the associated registers are properly initialized. Once enabled, the Tx MAC will continuously monitor the FIFO interface for an indication that

frame(s) are ready to be transmitted. The Tx MAC and the TxFIFO interface operations are synchronous to `txmac_clk`.

It is possible for the receiver's buffer to fill up rapidly. In such cases, the receiver sends flow control (PAUSE) frames to the transmitter, requesting that it stop transmitting frames. When the receiver is able to free the buffers, the transmitter completes transmitting the current frame and stops for the duration specified in the PAUSE frame.

### Transmitting Frames

By default, the Transmit MAC is configured to generate the FCS pattern for the frame to be transmitted. However, this can be prevented by setting bit[2] of the `Tx_RX_CTL` register. This feature is useful if the frames being presented for transmission already contain the FCS field. When FCS field generation by the MAC is disabled, it is the user's responsibility to ensure that short frames are properly padded before the FCS is generated. If the MAC receives a frame shorter than 64 bytes when FCS generation is disabled, the frame is sent as is and a statistic vector for the condition is generated.

The DA, SA, L/T, and DATA fields are derived from higher applications through the FIFO interface and then encapsulated into an Un-tagged Ethernet frame. This frame is not sent over the network until the network has been idle for a minimum of Inter Packet Gap (IPG) time. The Frame encapsulation consists of adding the Preamble bits, the Start of Frame Data (SFD) bits and the CRC check sum to the end of the frame (FCS). If padding is not disabled, all short frames are padded with hexadecimal 55.

The input signal `tx_eof` is asserted along with the last set of data transfer to indicate the end of the frame. The Tx MAC requires a continuous stream of data for the entire frame. There cannot be any bubbles of "no data transfer" within a frame. If the MAC is able to transmit the frame without any errors, the `tx_done` signal is asserted. Once the transmission has ended, data on the `tx_stat_vector` bus is presented to the host, including all the statistical information collected in the process of transmitting the frame. Data on this bus is qualified by assertion of the `tx_staten` signal.

After the Transmit MAC is done transmitting a frame, it waits for more frames from the FIFO interface. During this time, it goes to an idle state that can be detected by reading the `Tx_RX_STS` register. Since the `MODE` register can be written at any time, the Tx MAC can be disabled while it is actively transmitting a frame. In such cases, the MAC will completely transmit the current frame and then return to the IDLE state. The control registers should be programmed only after the MAC has returned to the IDLE state.

### External Transmit FIFO

The interface between the Tx MAC and the FIFO is 8 bits wide. The bit presented on position 0 is transmitted first and the bit in position 7 is transmitted last. In other words, bit[0] will be transmitted on the `txd[0]` signal of GMII while the bit[7] will be transmitted on `txd[7]`.

The FIFO signals the MAC if the frame ready for transmission at the head of the FIFO is a Control frame. This is done so the Tx MAC can continue transmission of a Control frame while it is paused.

### FIFO Under-flow

If a FIFO underflow occurs, the FIFO logic must assert `tx_fifoempty`. If at least 64 bytes have been transmitted, the Tx MAC aborts the transmission by asserting `tx_er`. In addition, the Tx MAC inserts erroneous CRC bits into the packet to guarantee the receiver will detect the error in the packet. If less than 64 bytes have been transmitted when the FIFO underflow occurs, the MAC will pad the remaining bytes before ending the transmission. In either case, the MAC asserts `tx_disframe` indicating an error during transmission.

### Transmitting PAUSE Frame

Two different methods are used for transmitting a PAUSE frame. In the first method, the application layer forms a PAUSE frame and submits it for transmission via the FIFO. In the other method, the application layer signals the Tx MAC directly to transmit a PAUSE frame. This is accomplished by asserting `tx_sndpausreg`. In this case the Tx MAC will complete transmission of the current packet and then transmit a PAUSE frame with the PAUSE time value supplied through the `tx_sndpaustim` bus.

## Internal Data Buffer and FIFO Interfaces

The core provides a feature where the user can block all the frames that are shorter than the minimum frame length of 64 bytes in the 2.5Gbps MAC itself. This prevents any short frames from reaching the user's application. The Receive Section contains an internal buffer to support this feature.

External Transmit and Receive FIFOs are required to store variable-length normal packets

The 2.5Gbps MAC provides two independent interfaces for use with external Transmit and Receive FIFOs. This feature enables the 2.5Gbps MAC to support full duplex operation.

## GMII Interface

The GMII module uses the clock supplied by the external PHY. The core implements the standard GMII interface to connect to the PCS layer.

The module implementing the interface also converts the data to a format usable by the MAC. The 8-bit data at the interface is presented to the 8-bit data path of the MAC.

Although not implemented as a separate module, the Reconciliation Sub-layer is implemented as a part of the GMII interface. This module is responsible for passing the data from one clock domain (2.5Gbps MAC) to the other GMII.

## (Optional) Media Independent Interface Management Module (MIIM)

The MIIM accesses management information from the PHY device and writes to or reads from the PHY registers. A single MIIM can address up to 32 PHY devices. This module runs off its own clock called `mdc`. The standard specifies this clock to be at 2.5 MHz, but PHY devices can accept a 10-MHz `mdc` clock. Therefore, the 2.5Gbps MAC can have a MIIM that is capable of running at up to 10 MHz.

The MIIM read or write operations are specified in the `GMII_MNG_CTL` register. This register also specifies the addressed PHY and the register within the PHY that needs to be accessed. The Command Finished bit in the `GMII_MNG_CTL` register is reset as soon as a command to read or write is given. It is set only when the MIIM module completes the operation. While the interface is busy, the `GMII_MNG_CTL` register cannot be overwritten, and all write operations to the register are ignored. For a write operation, the data to be written is stored in the `GMII_MNG_DAT` register. For a read operation, the data read from the addressed PHY is stored in this register. The ready bit in the `GMII_MNG_CTL` is set at the end of the read/write operation.

## Internal Registers

The 2.5Gbps MAC internal registers are initialized through the generic Host Interface. These rules apply when accessing the internal registers:

- With the 8-bit Host Interface, the individual bytes of the registers are accessed through their corresponding addresses, with the lower address pointing to the lower byte.
- The reserved bits should be programmed to 0. These bits are invalid, and should be discarded when read.
- All registers except the MODE register can be written into only when the core is in the IDLE state. The MODE register is the only register that can be written after the 2.5Gbps MAC is no longer in the Reset condition.

Table 4 lists the 2.5Gbps MAC registers accessible via the Host Interface. The registers are either Read/Write (R/W) or Read Only (RO) for status reporting purposes. The values of the registers immediately after the Reset Condition is removed from the 2.5Gbps MAC (POR Value in Hexadecimal format) are also given.

**Table 4. 2.5Gbps MAC Internal Registers**

Register Description	Mnemonic	I/O Address	POR Value
Mode register	MODE	00H - 01H	0000H
Transmit and Receive Control register	TX_RX_CTL	02H - 03H	0000H

Register Description	Mnemonic	I/O Address	POR Value
Maximum Packet Size register	MAX_PKT_SIZE	04H - 05H	0001H
Inter Packet Gap register	IPG_VAL	08H - 09H	000CH
2.5Gbps MAC Address register 0	MAC_ADDR_0	0AH - 0BH	0000H
2.5Gbps MAC Address register 1	MAC_ADDR_1	0CH - 0DH	0000H
2.5Gbps MAC Address register 2	MAC_ADDR_2	0EH - 0FH	0000H
Transmit and Receive Status	TX_RX_STS	12H - 13H	0000H
GMI Management Interface Control register	GMI_MNG_CTL	14H - 15H	0000H
GMI Management Data register	GMI_MNG_DAT	16H - 17H	0000H
VLAN Tag Length/type register	VLAN_TAG	32H - 33H	0000H
Multicast_table_0	MLT_TAB_0	22H - 23H	0000H
Multicast_table_1	MLT_TAB_1	24H - 25H	0000H
Multicast_table_2	MLT_TAB_2	26H - 27H	0000H
Multicast_table_3	MLT_TAB_3	28H - 29H	0000H
Multicast_table_4	MLT_TAB_4	2AH - 2BH	0000H
Multicast_table_5	MLT_TAB_5	2CH - 2DH	0000H
Multicast_table_6	MLT_TAB_6	2EH - 2FH	0000H
Multicast_table_7	MLT_TAB_7	30H - 31H	0000H
Pause_opcode	PAUS_OP	34H - 35H	0080H

## Register Descriptions

### MODE (R/W)

Mnemonic: MODE

POR Value = 0001H

Name	Range	Description
Rsvd	15:4	<b>Reserved.</b>
Tx_en	3	<b>Transmit Enable.</b> When this bit is set, the Tx MAC is enabled to transmit frames. When reset, the Tx MAC completes transmission of the packet currently being processed, then stops.
Rx_en	2	<b>Receive Enable.</b> When this bit is set, the Rx MAC is enabled to receive frames. When reset, the Rx MAC completes reception of the packet currently being processed, then stops.
FC_en	1	<b>Flow-control Enable.</b> When set, this enables the flow control functionality of the Tx MAC. This bit should be set for the Tx MAC either to pause or to transmit a PAUSE frame.
Rsvd	0	<b>Reserved</b> (always reads back as a high).

**Transmit and Receive Control (R/W)**

Mnemonic: TX\_RX\_CTL

POR Value = 0000H

This register can be overwritten only when the Rx MAC and the Tx MAC are disabled. This register controls the various features of the MAC.

Name	Range	Description
Rsvd	15:9	<b>Reserved.</b>
Receive_short	8	<b>Receive Short Frames.</b> When high, enables the Rx MAC to receive frames shorter than 64 bytes.
Receive_brdcst	7	<b>Receive Broadcast.</b> When high, enables the Rx MAC to receive broadcast frames
Rsvd	6	<b>Reserved.</b>
Rsvd	5	<b>Reserved.</b>
Receive_mltcst	4	<b>Receive Multicast.</b> When high, the multicast frames will be received per the filtering rules for such frames. When low, no Multicast (except PAUSE) frames will be received.
Receive_pause	3	<b>Receive PAUSE.</b> When set, the Rx MAC will indicate the PAUSE frame reception to the Tx MAC. In either case, PAUSE frames are received and transferred to the FIFO.
Tx_dis_fcs	2	<b>Transmit Disable FCS.</b> When set, the FCS field generation is disabled in the Tx MAC.
Discard_fcs	1	<b>Rx Discard FCS and Pad.</b> When set, the FCS and any of the padding bytes are stripped off the frame before it is transferred to the FIFO. When low, the entire frame is transferred as is.
Prms	0	<b>Promiscuous Mode.</b> When asserted, all filtering schemes are abandoned and the Rx MAC receives frames with any address.

**Maximum Packet Size (R/W)**

Mnemonic: MAX\_PKT\_SIZE

POR Value = 05EEH (1518 decimal)

This register can be overwritten only when the MAC is disabled. All frames longer than the value (number of bytes) in this register will be tagged as long frames.

Name	Range	Description
Max_frame	15:0	Maximum size of the packet than can be handled by the core.

**IPG (Inter Packet Gap) (R/W)**

Mnemonic: IPG\_VAL

POR Value = 000CH

This register contains the IPG value to be used by the TX MAC only. Back-to-back packets in the transmit buffer will be sent out with the IPG setting programmed in this register. Note that the IPG for received packets is checked against a fixed value of 96 bit times.

Name	Range	Description
Rsvd	15:5	Reserved.
IPG	4:0	Inter-packet gap value in units of byte time.

### MAC Address Register {0,1,2} (R/W), Set of Three

Mnemonic: MAC\_ADD

POR Value = 0000H

The MAC Address Registers 0-2 contain the Ethernet address of the port. The MAC Address Register [0] has the two bytes that are transmitted first and the MAC Address Register [2] has the two bytes that are transmitted last. Bit[8] through Bit[15] are transmitted first while bit[0] through bit[7] are transmitted last.

Note that the MAC address is stored in the registers in Hexadecimal form. For example, to set the MAC Address to: AC-DE-48-00-00-80 would require writing 0xAC (octet 0) to address 0x0B (high byte of Mac\_addr[15:0]), 0xDE (octet 1) to address 0x0A (Low byte of Mac\_addr[15:0]), 0x48 (octet 2) to address 0x0D (high byte of Mac\_addr[15:0]), 0x00 (octet 3) to address 0x0C (Low byte of Mac\_addr[15:0]), 0x00 (octet 4) to address 0x0F (high byte of Mac\_addr[15:0]), and 0x80 (octet 5) to address 0x0E (Low byte of Mac\_addr[15:0]). Note that octet 0 is transmitted first and octet 5 is transmitted last.

Name	Range	Description
Mac_addr	15:0	Ethernet address assigned to the port supported by the 2.5Gbps MAC.

### Transmit and Receive Status (RO)

Mnemonic: TX\_RX\_STS

POR Value = 0000H

This register reports events that have occurred during packet reception and transmission.

Name	Range	Description
Rsvd	15:11	<b>Reserved.</b>
Rx_idle	10	<b>Receive MAC Idle.</b> Receive MAC in idle condition used to reset configurations by CPU interface.
Tagged_frame	9	<b>Tagged Frame.</b> Tagged frame received.
Brdcst_frame	8	<b>Broadcast Frame.</b> Indicates that a Broadcast packet was received.
Multcst_frame	7	<b>Multicast Frame.</b> Indicates that a Multicast packet was received.
IPG_shrink	6	<b>IPG Shrink.</b> Received frame with shrunk IPG (IPG < 96 bit time).
Short_frame	5	<b>Short Packet.</b> Indicates that a packet shorter than 64 bytes has been received.
Long_frame	4	<b>Too Long Packet.</b> Indicates receipt of a packet longer than the maximum allowable packet size specified in the MAX_PKT_SIZE register.
Error_frame	3	<b>Rx_er Asserted.</b> Indicates the frame was received with the rx_er signal asserted.
CRC	2	<b>CRC Error.</b> Indicates a packet was received with a CRC error.
Pause_frame	1	<b>PAUSE Frame.</b> Indicates a PAUSE frame was received.
Tx_idle	0	<b>Transmit MAC Idle.</b> Transmit MAC in idle condition, used to reset configurations by CPU interface.

### VLAN Tag (RO)

Mnemonic: VLAN\_TAG

POR Value = 0000H.

The VLAN tag register has the VLAN TAG field of the most recent tagged frame that was received. This is a read only register.

Name	Range	Description
VLAN	15:0	This field defines length/type of field of the VLAN tag when inserted into transmitted frames.



**GMII Management Register Access Control (R/W)**

Mnemonic: GMII\_MNG\_CTL

POR Value = 0000H

The GMII Management Access register controls the Management Interface Module. This register can be overwritten only when the interface is not busy. A write operation will be ignored when the interface is busy.

Name	Range	Description
Rsvd	15	<b>Reserved.</b>
Cmd_fin	14	<b>Command Finished.</b> When high, it means the interface has completed the intended operation. This bit is set to 0 when the interface is busy.
RW_phyreg	13	<b>Read/Write PHY Registers.</b> 1 = write operation, 0 = read operation
Phy_addr	12:8	<b>GMII PHY Address.</b> The address of the accessed PHY Bit 12 is the most significant bit, and it is the first PHY address bit to be transmitted and received.
Rsvd	7:5	<b>Reserved.</b>
Reg_addr	4:0	<b>GMII Register Address.</b> The address of the register accessed. Bit 4 is the most significant bit and is the first register address bit to be transmitted or received.

**GMII Management Access Data (R/W)**

Mnemonic: GMII\_MNG\_DAT

POR Value = 0000H.

The contents of this register will be transmitted when a write operation is to be performed. When a read operation is performed, this register will contain the value that was read from a PHY register. This register should be read only after the cmd\_fin bit in the control register is set.

Name	Range	Description
GMII_dat	15:0	<b>GMII Data.</b> Bit 15 is the most significant bit, corresponding to bit 15 of the accessed register.

**Multicast Tables (R/W), set of eight**

Mnemonic: MLT\_TAB\_[0-7]

POR Value = 0000H.

When the core is programmed to receive multicast frames, a filtering scheme is used to decide whether the frame should be received. The six middle bits of the most significant byte of the CRC value, calculated for the destination address, are used as a key to the 64-bit hash table. The three most significant bits select one of the eight tables, and the three least significant bits select a bit. The frame is received only if this bit is set.

Name	Range	Description
Multicast_table_[0-7]	15:0	Multicast Table. Eight tables that make a 64-bit hash.

**Pause Opcode (R/W)**

Mnemonic: PAUS\_OP

POR Value = 0080H

This register contains the PAUSE Opcode, This will be compared against the Opcode in the received PAUSE frame. This value will also be included in any PAUSE frame transmitted by the 2.5Gbps MAC. Bit 15 is transmitted first and bit 0 is transmitted last.

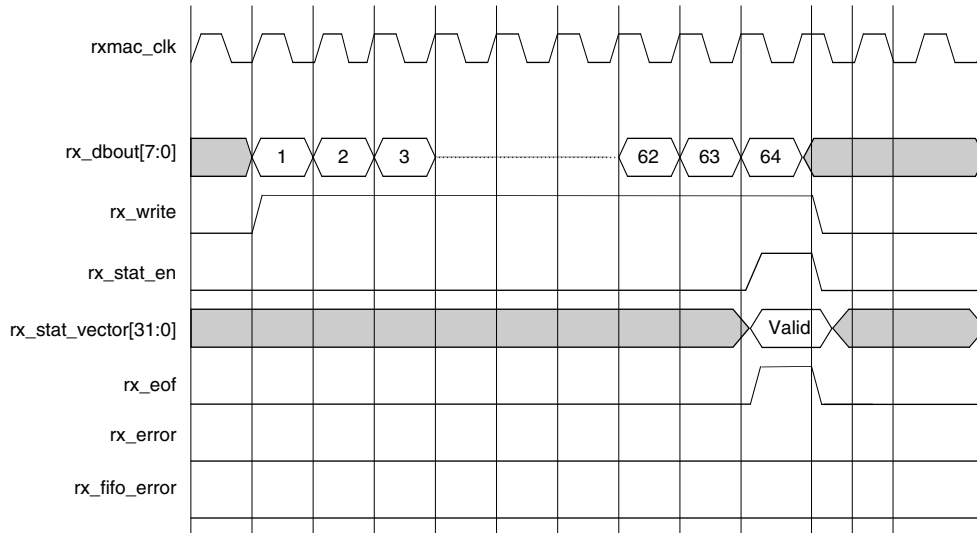
Name	Range	Description
Pause_opcode	15:0	PAUSE Opcode.

## Timing Diagrams

The operational timing diagrams applicable to the 2.5Gbps MAC interfaces are shown below:

### Reception of a 64-Byte Frame without Error – Rx MAC Application Interface

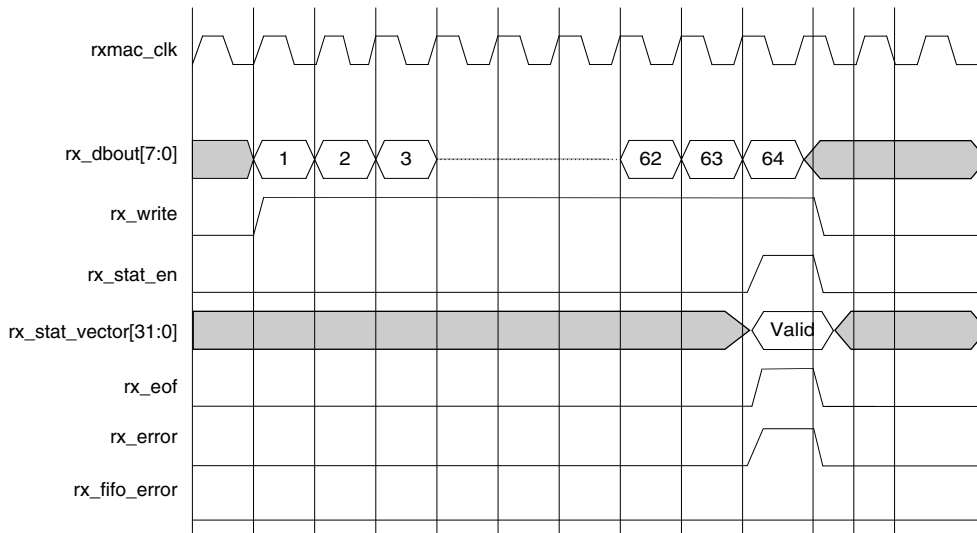
*Figure 5. Reception of a 64-byte Frame without Error*



### Reception of a 64-byte Frame with Error(s) – Rx MAC Application Interface

The signal `rx_error` is asserted to indicate that the 64-byte frame was received with error(s).

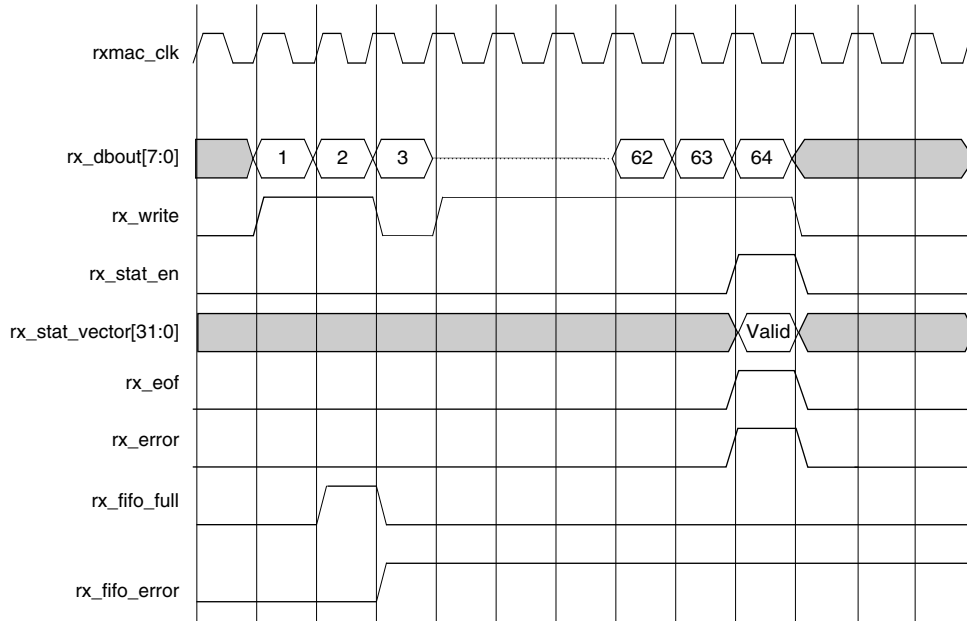
*Figure 6. Reception of a 64-byte Frame with Error*



**Reception of a 64-Byte Frame with FIFO Overflow – Rx MAC Application Interface**

The FIFO writing operation is suspended whenever an overflow condition occurs. When this condition occurs, the 2.5Gbps MAC asserts `rx_fifo_error`. This signal should be sampled along with `rx_eof` in order to process the error condition.

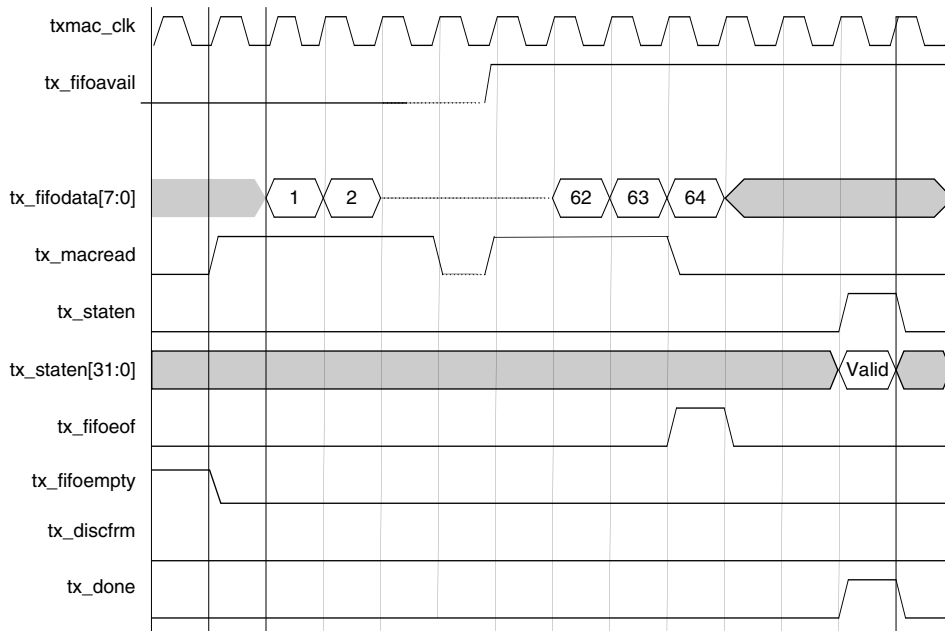
**Figure 7. Reception of a 64-byte Frame with FIFO Overflow**



**Successful Transmission of a 64-Byte Frame – Tx MAC Application Interface**

The assertion of `tx_fifoavail` indicates a frame is ready to be transmitted. The 2.5Gbps MAC reads the FIFO and the data is transmitted until `tx_fifoeof` is asserted. Once the frame is transmitted, `tx_staten` is asserted to qualify the statistic vector, `tx_statvec`. The signal `tx_done` is asserted to indicate a successful transmission. This is shown in Figure 8.

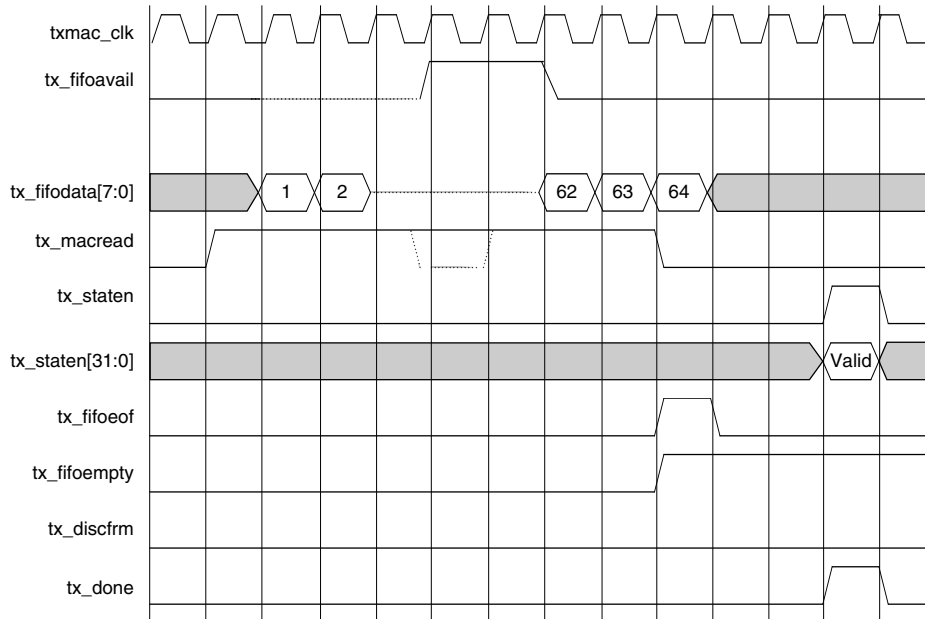
**Figure 8. Transmission of a 64-Byte Frame without Error**



### Successful Transmission of a 64-byte Frame with FIFO Empty – Tx MAC Application Interface

`tx_fifoempty` is asserted along with `tx_fifoef` to indicate that the complete 64-byte frame has been read. The frame is transmitted as a valid frame and `tx_done` is asserted at the end of transmission.

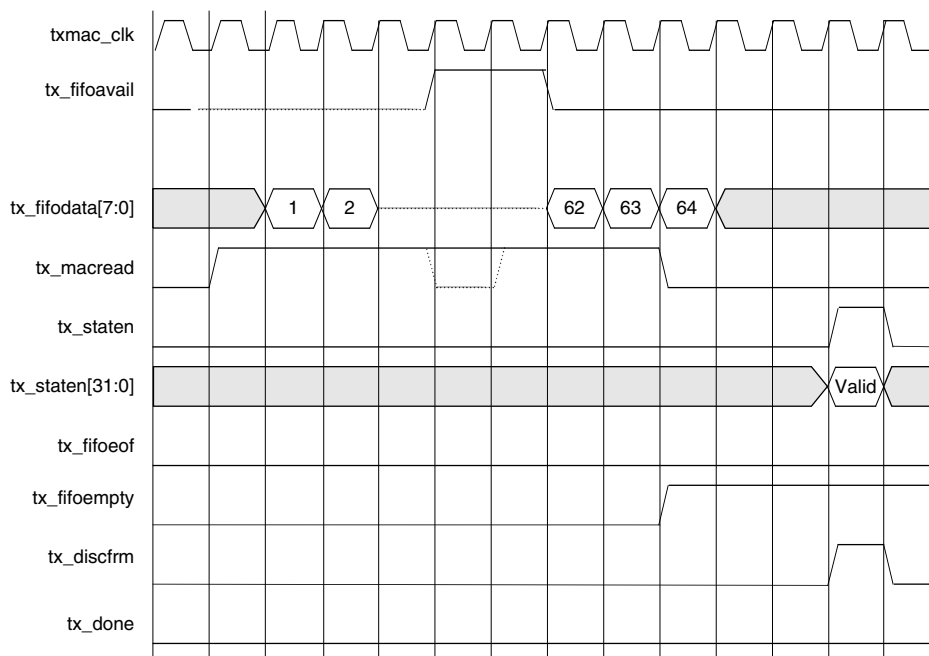
**Figure 9. Successful Transmission of a 64-byte Frame with FIFO Empty**



### Aborted Transmission Due to FIFO Empty – Tx MAC Application Interface

If the `tx_fifoempty` is asserted while the Tx MAC is in the process of reading a frame, the MAC will stop reading the frame and assert `tx_discfrm` to indicate an erroneous transmission. The frame transmission is abandoned when this occurs.

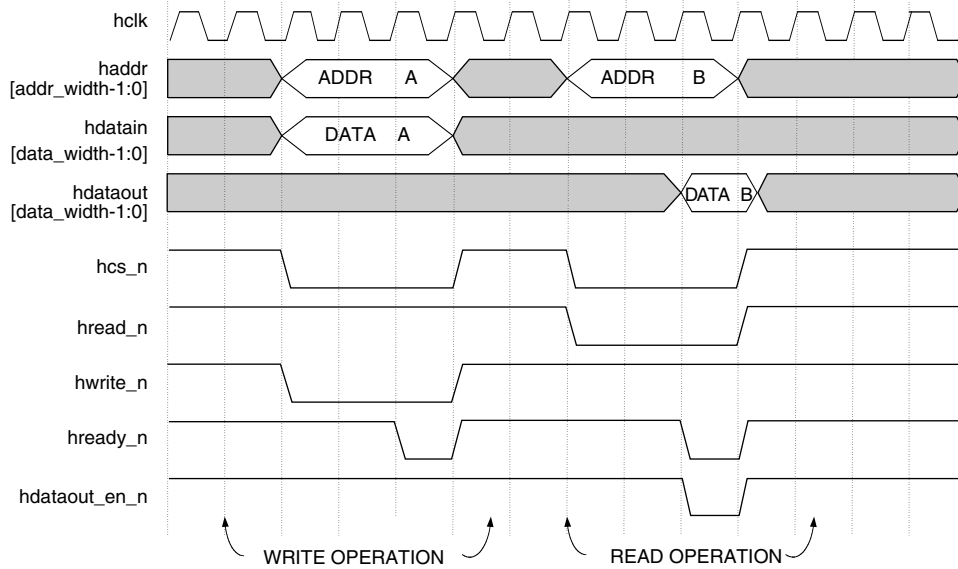
**Figure 10. Aborted Transmission Due to FIFO Empty**



### Host Interface Read/Write Operation

During a write operation, `haddr` associated with `hdatain`, `hcs_n` and `hwrite_n` performs a write operation to an internal register. The end of transaction is indicated by assertion of `hready_n`. During a read operation, `haddr` associated with `hcs_n` and `hread_n` forms a write operation. The end of transaction is indicated by the assertion of `hready_n` and `hdataout_en_n` along with the valid read data on `hdataout`.

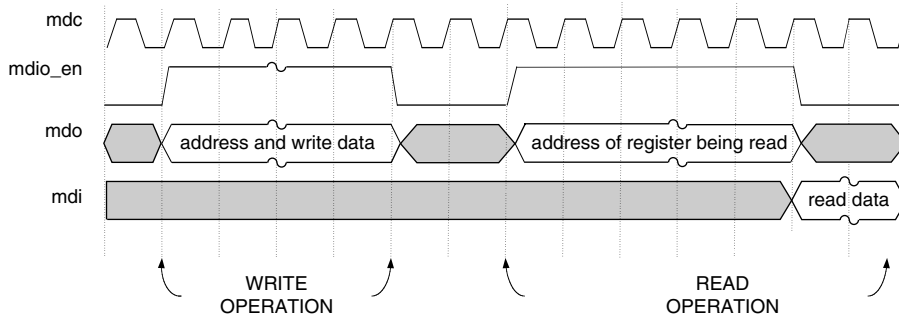
Figure 11. Host Interface Read/Write Operation



### Management Interface Read/Write Operation

During a write operation, `mdio_en` is asserted and the data is transmitted on `mdo`. During a read operation, `mdio_en` is asserted while the address is being transferred. Once this is done, it is de-asserted for rest of the transfer enabling the PHY to deliver data on `mdi`.

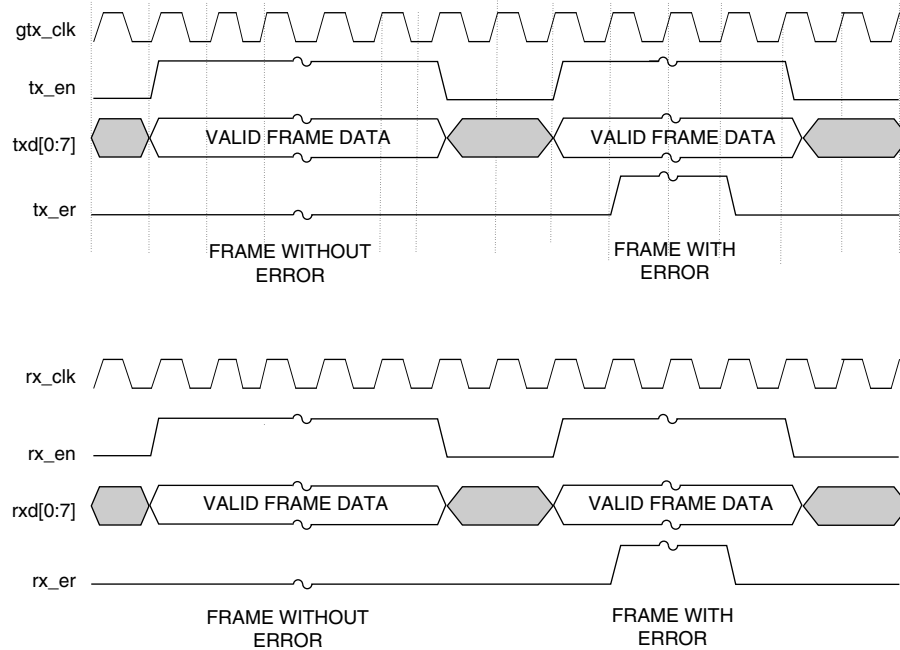
Figure 12. Management Interface Read and Write Operations



### GMII Transmit and Receive Operations

`txd` and `tx_en` are driven synchronous to the `gtx_clk` during transmit operations. When the frame being transmitted has an error, `tx_er` is asserted. Note that in 2.5Gbps operation with a SERDES interface, the `gtx_clk` is the transmit reference clock (see Figure 4).

When receiving data, `rx_d` and `rx_en` are sampled on the rising edge of `rx_clk`. An error in the frame is indicated when `rx_er` is asserted. Note that in 2.5Gbps operation with a SERDES interface, the `rx_clk` is the Tx\_Rx\_reference\_clock (see Figure 4).

**Figure 13. GMII Transmit and Receive Operations**

## Core Generation

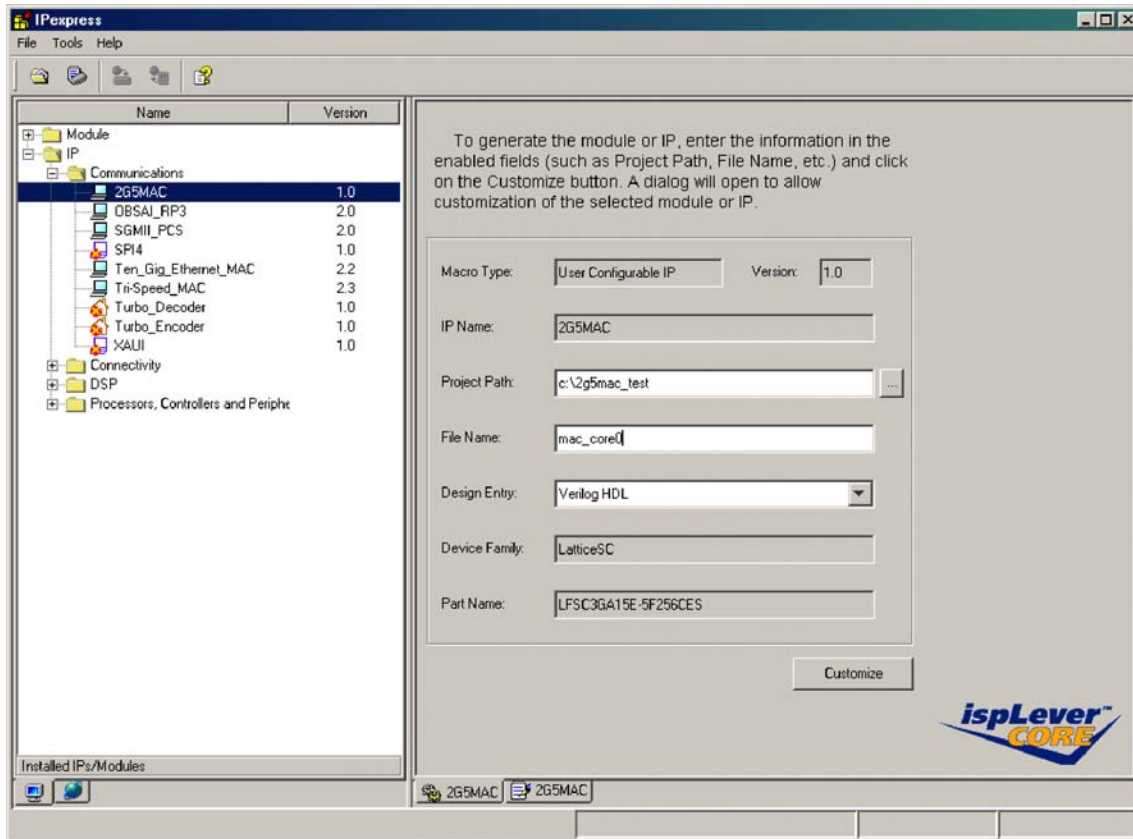
The 2.5Gbps MAC IP core is available for download from the Lattice website at [www.latticesemi.com](http://www.latticesemi.com). The IP files are automatically installed using ispUPDATE technology in any user-specified directory.

The ispLEVER® IPexpress™ GUI window for the 2.5Gbps MAC core is shown in Figure 14. To generate a specific IP core configuration the user specifies:

- **Project Path** – Path to directory where the generated IP files will be loaded.
- **File Name** – “username” designation given to the generated IP core and corresponding folders and files.
- **Design Entry Type** – Verilog.
- **Device Family** – Device family to which IP is to be targeted (e.g. LatticeXP™, LatticeEC™, LatticeECP™, etc.). Only families that support the particular core are listed.
- **Part Name** – Specific targeted device within the selected device family.

Note that if IPexpress is called from within an existing project, Project Path, Design Entry, Device Family and Part Name default to the specified project parameters.

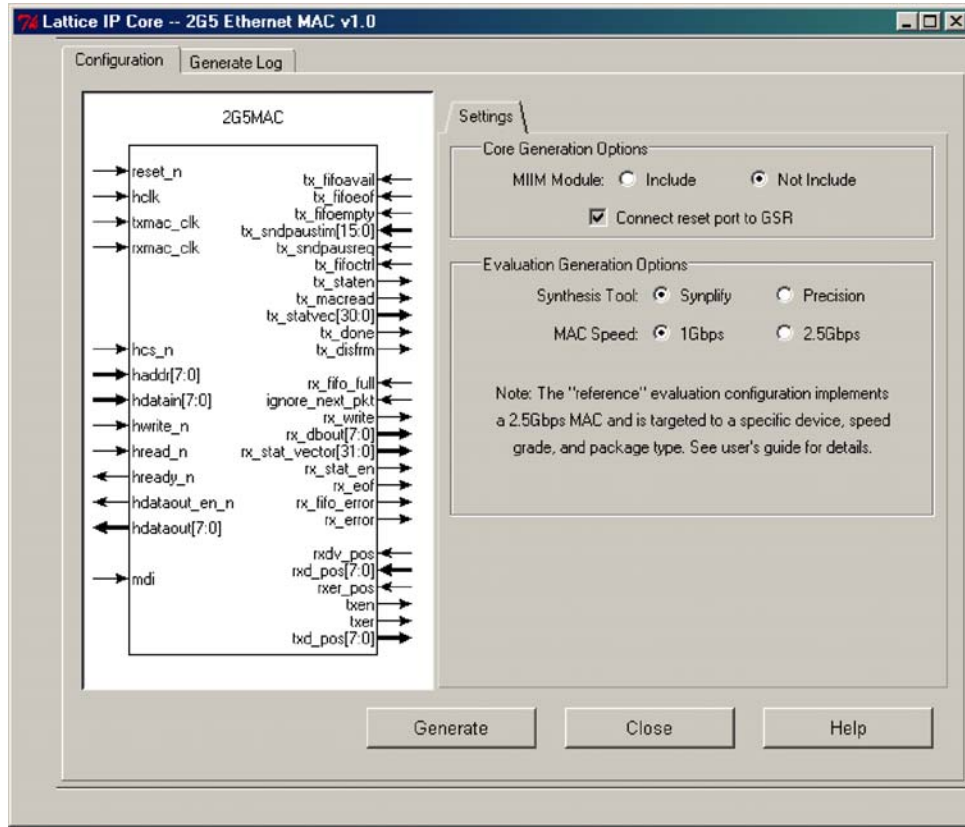
Figure 14. 2.5Gbps MAC IPexpress GUI Window



To create a custom configuration, the user then clicks on the **Customize** button to display the 2.5Gbps MAC IP core Configuration GUI, shown in Figure 15. From this window the user may select to instantiate the optional MII Management Interface Module.

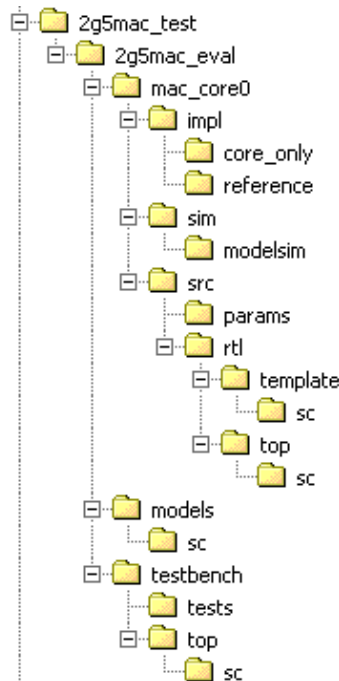
Evaluation configuration options are also provided which allow users to specify a synthesis tool (Synplify® or Precision® RTL Synthesis) to synthesize the top-level level configurations and the desired data rate to be supported by the evaluation configurations. Note that these configuration options only affect the ispLEVER properties and preferences applied in implementing the evaluation top-level designs.

Figure 15. 2.5Gbps MAC IPexpress GUI Window



After the **Generate** button has been clicked, the configuration-specific IP core and supporting files are generated in the user's project directory. The directory structure of the generated files is shown in Figure 16.

Figure 16. 2.5Gbps MAC IP Core Generated Directory Structure





The following files are generated in the user's project directory (\2g5mac\_test in Figure 16):

- <username>.lpc – IP parameter file (may be directly modified by user).
- <username>.ngo – Synthesized and mapped IP core.
- <username>\_bb.v – Black box module wrapper for synthesis.
- <username>\_inst.v – Example of instantiation template to be included in user's design.
- <username>\_beh.v – Behavioral simulation model for IP core configuration username.

These are all of the files needed to implement and verify the 2.5Gbps MAC IP core in a top-level design. The following additional files providing IP core generation status information and command line generation capability are generated in the user's project directory:

- <username>\_generate.tcl – Created when GUI **Generate** button is clicked, invokes generation, may be run from command line.
- <username>\_generate.log – ispLEVER synthesis and map log file.
- <username>\_gen.log – IPexpress IP generation log file.

The \<2g5mac\_eval> and subtending directories provide files supporting 2.5Gbps MAC core evaluation. The \<2g5mac\_eval> directory shown in Figure 16 contains files and folders with content that is constant for all configurations of the 2.5Gbps MAC. The \<username> subfolder (\mac\_core0 in this example) contains files/folders with content specific to the username configuration.

The \2g5mac\_eval directory is created by IPexpress the first time the core is generated and updated each time the core is regenerated. A \<username> directory is created by IPexpress each time the core is generated and regenerated each time the core with the same file name is regenerated. A separate \<username> directory is generated for cores with different names (e.g. \mac0>, \mac1>, etc.).

## Instantiating the Core

The generated 2.5Gbps MAC IP core package includes black-box (<username>\_bb.v) and instance (<username>\_inst.v) templates that can be used to instantiate the core in a top-level design. An example RTL top-level reference source file that can be used as an instantiation template for the IP core is provided in C:\<project\_dir>\2g5mac\_eval\<username>\src\rtl\top. Users may also use this top-level reference as the starting template for the top level of their complete design.

Two example RTL top-level reference source files are provided in \<project\_dir>\2g5mac\_eval\<username>\src\rtl\top.

The top-level file gig\_mac\_top.v is the same top level file that is used in the simulation model described in the next section. Users may use this top-level reference as the starting template for the top level for their complete design. Included in gig\_mac\_top.v are logic, memory and clock modules supporting a driver/monitor module capability, a register module supporting programmable control of the MAC and system processor interface via the LatticeSC/M integrated SYSBUS capability. Verilog source RTL for these modules are provided in \<project\_dir>\2g5mac\_eval\<username>\src\rtl\template. The top-level configuration is specified via the parameters defined in the gig\_mac\_defines.v file in \<project\_dir>\2g5mac\_eval\<username>\src\params. A description of the 2.5Gbps MAC parameters and register layout for this reference design is provided in an appendix to this document.

The top-level file gig\_mac\_core\_only\_top.v supports the ability to implement just the 2.5Gbps MAC core itself. This design is intended only to provide an accurate indication of the device utilization associated with the 2.5Gbps MAC core and should not be used as an actual implementation example.

---

## Running Functional Simulation

The functional simulation includes a configuration-specific behavioral model of the 2.5Gbps MAC core (<user-name>\_beh.v) that is instantiated in an FPGA top-level along with test logic (MAC client side loop back logic, PLLs, and registers with Read/Write interface). This FPGA top is instantiated in an evaluation testbench that configures FPGA test logic registers and 2.5Gbps MAC core registers. The testbench also sources Ethernet packets to the FPGA top via an included Verilog test file, testcase.v, that can be found in C:\2g5mac\_test\2g5mac\_eval\testbench\tests. Note that users can edit the testcase.v file to configure and monitor whatever registers they desire as well as drive whatever packets they desire to the design. More information on simulation can be found in an appendix to this document.

Users may run the evaluation simulation by doing the following:

1. Open ModelSim®.
2. Under the **File** tab, select **Change Directory** and choose the following folder:  
`<project_dir>\2g5mac_eval<username>\sim\modelsim.`
3. Under the **Tools** tab, select **Execute Macro** and execute one of the ModelSim “do” scripts shown.

The simulation waveform results will be displayed in the ModelSim Wave window.

*Note: When the simulation completes, a pop-up window will appear asking “Are you sure you want to finish?” Answer “No” to analyze the results (answering “Yes” closes ModelSim).*

## Synthesizing and Implementing the Core in a Top-Level Design

The 2.5Gbps MAC IP core itself is synthesized and is provided in NGO format when the core is generated. Users may synthesize the core in their own top-level design by instantiating the core in their top-level as described previously and then synthesizing the entire design with either Synplicity or Precision RTL Synthesis.

Two example RTL top-level reference source files supporting 2.5Gbps MAC core top-level synthesis and implementation are provided with the 2.5Gbps MAC IP core in C:\<project\_dir>\2g5mac\_eval<user-name>\src\rtl\top.

As mentioned previously, the 2.5Gbps MAC IP core evaluation package includes a reference design that can be used to instantiate, simulate, map, place and route the Lattice 2.5Gbps MAC IP core in an example working design. This reference design provides a loopback path for packets on the MAC Rx/Tx Client interface, through a FIFO and associated logic. Ethernet packets are sourced to the Rx GMII from a secondary SERDES port. The source of the packets fed to the secondary SERDES port is either through GMII pins or an internal ROM (selectable by a pin). The packets from the secondary SERDES terminate at the primary SERDES for the UUT where they are filtered by the Rx MAC and looped back on the MAC Tx Client FIFO interface and are fed back towards the secondary SERDES where an internal monitor circuit checks the packets. Source and destination addresses in the Ethernet frame can be swapped so the looped back packets on the Tx GMII have the correct source and destination addresses. This design also provides connections to the other interfaces of the Lattice 2.5Gbps MAC IP core, including the SMI, Host Bus and Rx/Tx Statistics interfaces.

*Note: This evaluation design is specifically implemented for use in an LFSC25E-7F1020C device. Targeting to a different device may give inconsistent results.*

The other top-level reference design included in the evaluation package supports the ability to synthesize and map just the 2.5Gbps MAC core itself. This design is intended only to provide an accurate indication of the device utilization associated with the 2.5Gbps MAC core itself and should not be used as an actual implementation example.

Push-button implementation of both reference designs is supported via ispLEVER project files, `<username>_reference_eval.syn` and `<username>_core_only_eval.syn`, located in `C:\<project_dir>\2g5mac_eval\<username>\impl`. To use these project files:

1. Select **Open Project** under the **File** tab in ispLEVER.
2. Browse to either `\<project_dir>\2g5mac_eval\<username>\impl` in the **Open Project** dialog box.
3. Select and open either `<username>_reference_eval.syn` or `<username>_core_only_eval.syn`. At this point, all of the files needed to support top-level synthesis and implementation will be imported to the project.
4. Select the device top-level entry in the left-hand GUI window.
5. Implement the complete design via the standard ispLEVER GUI flow.

## Hardware Evaluation

Lattice's IP hardware evaluation capability makes it possible to create versions of IP cores that operate in hardware for a limited period of time (approximately four hours) without requiring the purchase on an IP license. The hardware evaluation capability is turned on by enabling the Hardware Evaluation option in the properties of the Build Database process in ispLEVER. When the Hardware Evaluation option is enabled it is possible to generate a programming file that may be downloaded into the device. After initialization, the IP core will be operational for approximately four hours. After four hours, the IP core will stop working and it will be necessary to reprogram the device to re-enable operation. This hardware evaluation capability is only enabled if the core has not been licensed. If a license is detected, core generation is completed with no restrictions.

## References

The following documents provide more information on implementing this core:

- ispLEVER Software User Manual
- ispLeverCORE™ IP Module Evaluation Tutorial available on the Lattice website at [www.latticesemi.com](http://www.latticesemi.com)

## Technical Support Assistance

Hotline: 1-800-LATTICE (North America)  
 +1-503-268-8001 (Outside North America)  
 e-mail: [techsupport@latticesemi.com](mailto:techsupport@latticesemi.com)  
 Internet: [www.latticesemi.com](http://www.latticesemi.com)

## Revision History

Date	Version	Change Summary
August 2007	—	Initial release.

## Appendix for LatticeSC/M FPGAs

**Table 5. Performance and Resource Utilization<sup>1</sup>**

Mode	Slices	LUTs	Registers	sysMEM™ EBRs	f <sub>MAX</sub> (MHz)
With MIIM_module	1008	1428	1032	1	125(-5, -6) / 312.5(-7)
Without MIIM_module	1168	1606	1186	1	125(-5, -6) / 312.5(-7)

1. Performance and utilization characteristics are in Lattice's ispLEVER 6.1 SP2 software and targeting an LFSCM3GA15EP1-5F256CES device (1G data rate) or LFSCM3GA15EP1-7F256CES device (2.5Gbps data rate). When using this IP core in a different array size or speed grade within the LatticeSC/M family or in a different software version, performance may vary.

### Ordering Part Number

The Ordering Part Number (OPN) for the 2.5Gbps Ethernet Media Access Controller IP core targeting LatticeSC/M devices is 2G5-MAC-SC-U1.

You can use the IPexpress software tool to help generate new configurations of this IP core. IPexpress is the Lattice IP configuration utility, and is included as a standard feature of the ispLEVER design tools. Details regarding the usage of IPexpress can be found in the IPexpress and ispLEVER help system. For more information on the ispLEVER design tools, visit the Lattice website at: [www.latticesemi.com/software](http://www.latticesemi.com/software).

---

## Appendix – 2.5Gbps MAC Top-Level Reference Design

Included with the 2.5Gbps MAC IP core is a reference design that may be used as an example for how to instantiate, simulate, map, place and route the Lattice 2.5Gbps MAC IP core in an example working design. This reference design uses the source files provided with the Gig-Speed Ethernet MAC IP core for instantiating the core. Scripts for reading and configuring registers in the MAC and PCS/SERDES are included in this description.

Figure 17 shows an overall test application environment for the 2.5Gbps MAC core, using the LatticeSC/M Advanced Evaluation Board and an Ethernet test set. Figure 18 is a pictorial representation of the reference design FPGA top, which is the `gig_mac_top.v` file in the `C:\<project_dir>\2g5mac_eval\<user-name>\src\rtl\top` directory.

### 2.5Gbps MAC IP Core Overview

The four main interfaces to the 2.5Gbps MAC IP core include:

1. **GMII Interface** – This is the IEEE 802.3 standard Gigabit/Media Independent Interface that connects the MAC to the PHY layer device (1Gbps) or PCS/SERDES (2.5 Gbps).
2. **SMI Interface** – This is the IEEE 802.3 Standard Serial Management Interface that connects to the PHY layer device's Management interface. This interface consists of the `mdio`, and `mdc` pins. Note that this interface is not used in this 2.5 Gbps Test application, since the PHY is internal to the ASB portion of the FPGA and is accessed via the SYSBUS.
3. **Host Bus Interface** – This is a Lattice-defined generic processor host bus that is needed to interface to the internal MAC registers. Note that in the test application design (Figure 18) the Host Bus interface is connected to the JTAG ORCAstra interface and SYSBUS via some glue logic. More information on the ORCAstra Bus can be found on the Lattice website.
4. **MAC Rx/Tx Client Interface** – This Lattice-defined generic interface consists of the following Rx/Tx FIFO interfaces, Rx/Tx Statistics interfaces and a few simple status and control bits.

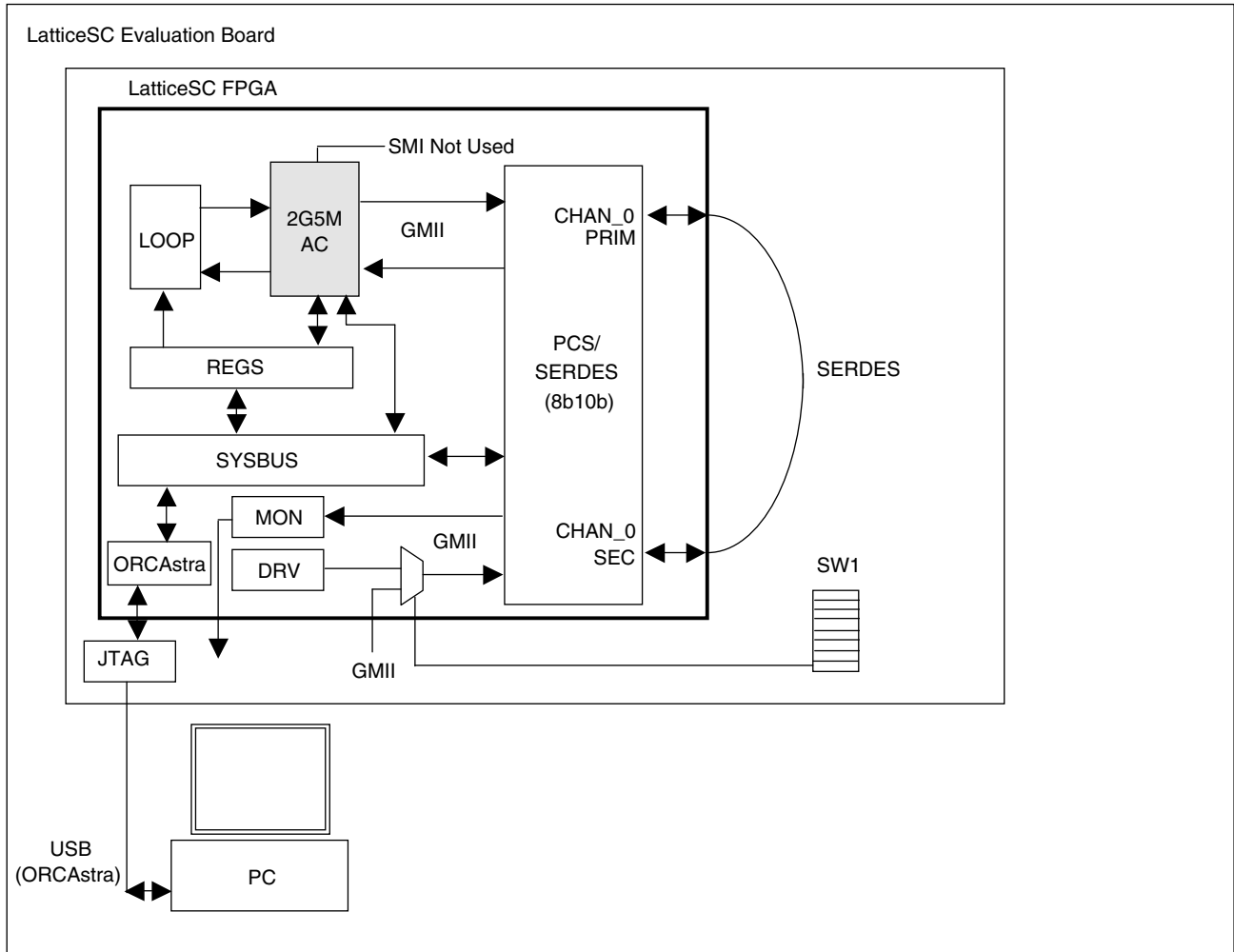
### Test Application Environment

The test application environment (Figure 17) Includes a LatticeSC/M Evaluation Board, and a PC with appropriate cables and software (ORCAstra and ispVM<sup>®</sup> System software). A JTAG connection via the USB interface on the PC is used to access the ORCAstra interface in the test application. The PHY (PCS/SERDES in ASB), MAC (IP core) and test logic registers can all be configured and monitored via the ORCAstra/SYSBUS interface. In order to use the test setup to send and receive looped back packets through the test application design the following steps need to be performed:

1. Set up the LatticeSC/M Evaluation board, and PC as shown in Figure 17.
2. Program the LatticeSC/M device via the JTAG port and ispVM System software with the test application design.
3. Run the appropriate ORCAstra macro script to configure, test logic, MAC and PCS/SERDES registers (example configurations are as is the test bench script).
4. Run traffic through the test setup and then run an ORCAstra macro script to dump test status and statistics registers.

*Note: The driver sends a single Ethernet packet (from a ROM) with correct FCS repeatedly, within a fixed, deterministic time interval. The monitor checks for the same packet arrival. The external GMII port can be selected with an external switch, but is intended primarily for simulation purposes, so that the user can verify sending and receiving different Ethernet packets.*

Figure 17. Test Application Environment



### Test Application Design

The test application design (Figure 18) provides a loopback path for packets on the MAC Rx/Tx Client interface, through a FIFO and associated logic. Ethernet packets are sourced to the Rx GMII (via the PCS/SERDES interface) and looped back on the MAC Rx/Tx Client FIFO interface. Note that the source and destination addresses in the Ethernet frame can be swapped so the looped back packets on the Tx GMII have the correct source and destination addresses. *Note: The packets on the primary PCS/SERDES (used by DUT) are driven by the driver ROM circuit on the secondary PCS/SERDES. The test design also provides connections to all the other interfaces of the Lattice 2.5Gbps MAC IP core, like the SMI (not used), Host Bus and Rx/Tx Statistics interfaces.*

The main blocks and functions of the test application design are as follows:

#### Test Logic Module

This module includes the address swap logic, loopback FIFO and associated control logic, and miscellaneous control and status glue logic between the MAC Rx/Tx Client interface and the Register interface module. Figure 19 shows a timing waveform of data and control signals on the ingress and egress sides of the Address Swap Module (when address swap is enabled).

#### The ORCAstra and SYSBUS Modules

These modules interface the ORCAstra Bus (a Lattice-defined slow speed serial bus) to the Host Bus (MAC registers), PCS slave interface (PCS registers) and a User Slave Interface bus (Test Logic registers). Using the ORCAstra-

tra interface, a user can access the internal 2.5Gbps MAC core registers, the Test Application registers and the PCS registers. The MAC registers (accessed via the Host Bus) and test logic registers (accessed via the USI) are memory mapped as described in the Test Application Registers section. An ORCAstra Bus Test bench driver is provided to ease simulation with this interface.

#### **Register Interface Module**

This module is accessed through the ORCAstra Bus via the User Slave Interface (USI). The module contains registers used by the test application for control and status of the 2.5Gbps MAC core. In addition, this module contains 16-bit statistics counters fed by the 2.5Gbps MAC core's Rx/Tx Statistics interfaces. These counters can be read and cleared through the ORCAstra Bus. An address map and description of these registers is given in the Test Application Registers section of this document.

#### **Tx Driver**

This module drives an Ethernet packet stored in memory (embedded RAM) to the secondary PCS's GMII interface. Two identical packets are continuously read out of the memory and sent with a fixed time interval between packets. *Note: for simulation purposes the GMII interface of the secondary PCS can either be driven by the output of the driver circuit or an external GMII port. The external port is not expected to be driven in a actual implementation of the test application design.*

#### **Rx Monitor**

This module compares the packet returning from the looped back 2.5Gbps MAC client interface against what was sent by the driver. If the packet does not match, a fail signal is asserted.

Figure 18. Test Application Reference Design

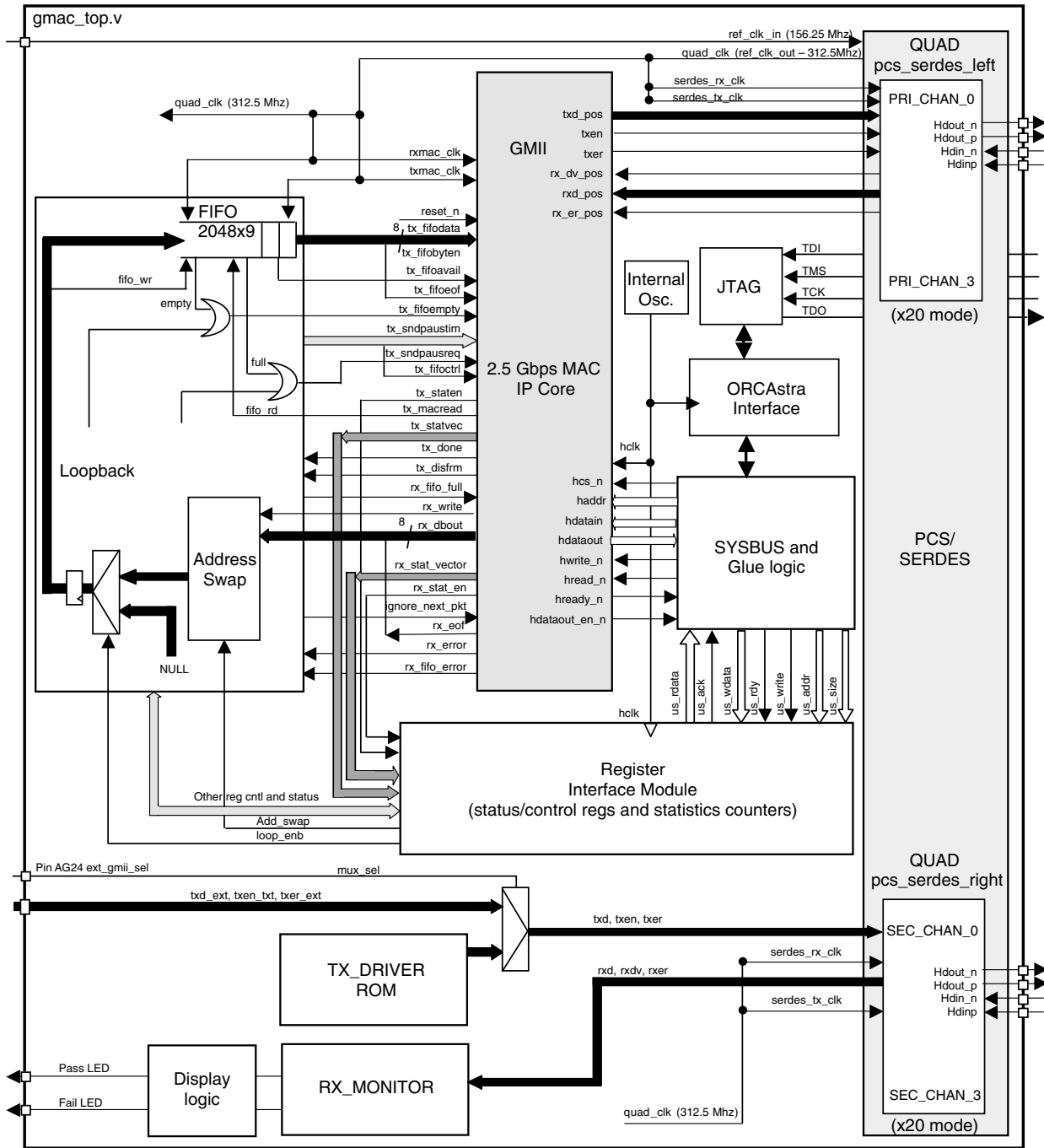
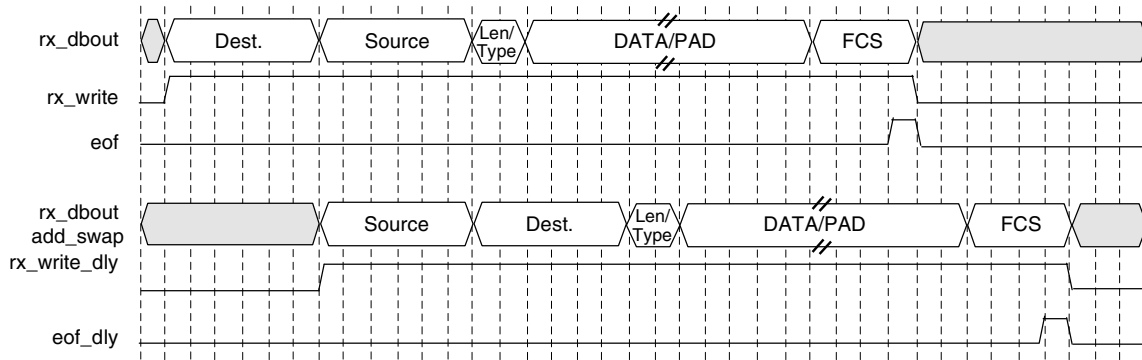




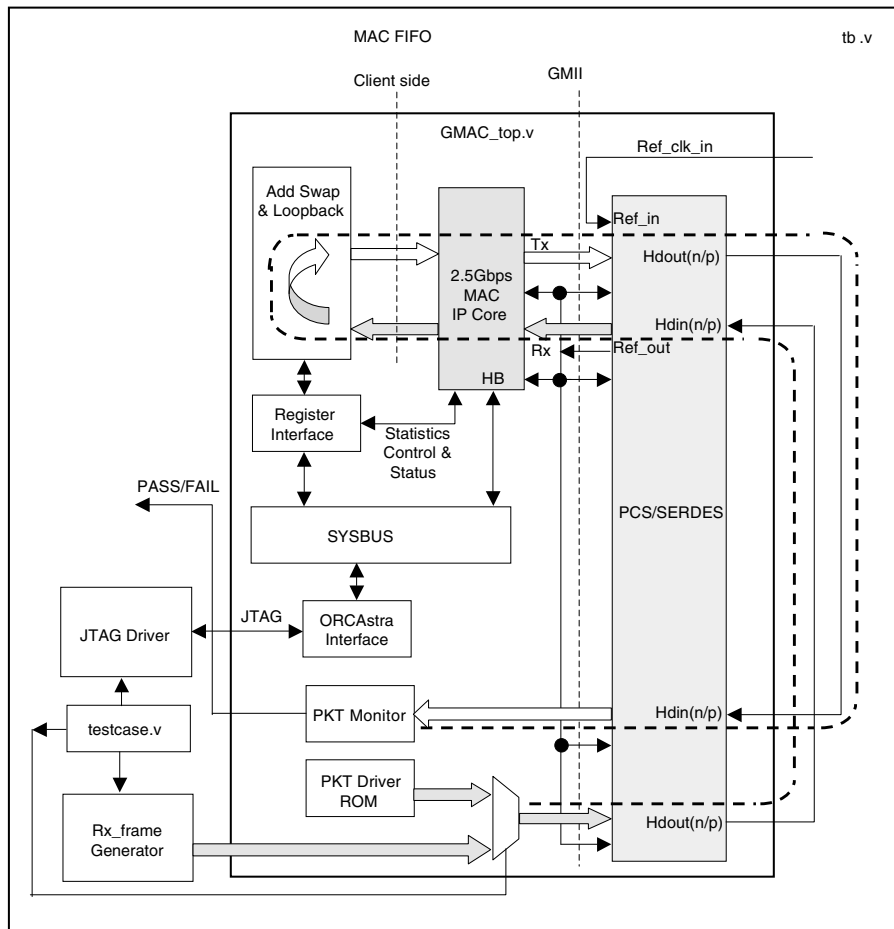
Figure 19. Address Swap Module Data and Control Signals



**Test Application Test Bench**

Figure 20 shows a block diagram of the test bench setup provided with the test application design. All accesses to the internal 2.5Gbps MAC registers and test application design registers can be accomplished through the `testcase.v` file (via the JTAG driver). In addition, variable sizes and types of Ethernet frames can be sourced to the 2.5Gbps MAC Rx GMII via the Tx GMII port of the secondary PCS port through the `testcase.v` file (via the Rx frame generator). Fixed packets can be sourced via the internal ROM packet driver. These received packets (at the 2.5Gbps MAC Rx GMII) get looped back inside the test application design and through the 2.5Gbps MAC Tx GMII and the primary PCS back to the secondary PCS to the monitor. The dashed line in Figure 20 shows this loopback.

Figure 20. Test Application Reference Design Testbench Set-Up



## Test Application Registers

Two regions of SYSBUS memory space are used to configure and monitor the test application design. The first address space is the region used to configure and monitor the PCS/SERDES. More information on the registers in this address space can be found in the LatticeSC/M Family flexiPCS™ Data Sheet.

The second address space is the address space on the SYSBUS that is mapped to the User Slave Interface (USI). Of the 190 KB of USI space, starting at 0x00800, only 256 B are used for the test application design. The 256 B USI address space is carved in to four 64 B regions and is allocated as shown in Table 6.

The address space used by the 2.5Gbps MAC core internal registers as specified in this user's guide are mapped in the test application design is shown in Table 7.

Detailed descriptions of the register bits shown in Table 7 are given in this user's guide.

**Table 6. PCS Slave and 256B USI Address Space in Test Application Design**

Register Description	Base Offset	Start Add	End Add
Left PCS slave Interface	0x30000	0x30000	0x364FF
Right PCS slave Interface	0x38000	0x38000	0x3E4FF
Inter-Quad PCS slave Interface	0x3EF00	0x3EF00	0x3EFFF
MAC IP core registers	0x00800 (CS_0)	0x800	0x83F (used up to 0x835)
Test Logic registers	0x00840 (CS_1)	0x840	0x87F (used up to 0x871)
ID/Scratch Pad registers	0x00880 (CS_2)	0x880	0x8BF (used up to 0x882)
Unused	0x008C0 (CS_3)	0x8C0	0x8FF (all 64B unused)

**Table 7. 2.5Gbps MAC Internal Registers**

Register Description	Mnemonic	I/O Address	POR Value
Mode register	MODE	800H - 801H	0000H
Transmit and Receive Control register	TX_RX_CTL	802H - 803H	0000H
Maximum Packet Size register	MAX_PKT_SIZE	804H - 805H	05EEH
Inter Packet Gap register	IPG_VAL	808H - 809H	0048H
2.5Gbps MAC Address register 0	MAC_ADDR_0	80AH - 80BH	0000H
2.5Gbps MAC Address register 1	MAC_ADDR_1	80CH - 80DH	0000H
2.5Gbps MAC Address register 2	MAC_ADDR_2	80EH - 80FH	0000H
Transmit and Receive Status	TX_RX_STS	812H - 813H	0000H
GMII Management Interface Control register	GMII_MNG_CTL	814H - 815H	0000H
GMII Management Data register	GMII_MNG_DAT	816H - 817H	0000H
VLAN Tag Length/type register	VLAN_TAG	832H - 833H	0000H
Multicast_table_0	MLT_TAB_0	822H - 823H	0000H
Multicast_table_1	MLT_TAB_1	824H - 825H	0000H
Multicast_table_2	MLT_TAB_2	826H - 827H	0000H
Multicast_table_3	MLT_TAB_3	828H - 829H	0000H
Multicast_table_4	MLT_TAB_4	82AH - 82BH	0000H
Multicast_table_5	MLT_TAB_5	82CH - 82DH	0000H
Multicast_table_6	MLT_TAB_6	82EH - 82FH	0000H
Multicast_table_7	MLT_TAB_7	830H - 831H	0000H
Pause_opcode	PAUS_OP	834H - 835H	0080H

The address space used by the Test Control Registers is shown in Table 8. This space contains ID, control, status and statistics registers used by the test application.

The REGINTF logic block in the test application provides the address decoding, for the RO and R/W Registers used by the `tst_logic` and statistics counters. All registers are eight bits wide and are addressable on byte boundaries. Note that the statistics counter registers are composed of two 8-bit registers, a low and a high byte register, therefore, in order to access these registers, two byte accesses must be made. For example, to access all 16 bits of the RXOKCNT would require an access to both 0x859 (high byte) and 0x858 (low byte). Note that since the statistics counter registers are Clear On Read (COR), the high byte should be read first before reading the low byte, since a read of the low byte clears all the combined 16 bits of the low and high registers. The address map for the Test Application Related Registers is as follows:

**Table 8. Test Application Related Registers**

Address	Register Description	Mnemonic	Type
0x0840	Version/IDentification Register	VERID	RO
0x0841	Test Control Register	TSTCNTL	RW
0x0842	Test Control Register 2	TSTCNTL_2	RW
0x0843	MAC Control Register	MACCNTL	RW
0x0844	Pause Timer Register - Low byte	PAUSTMRL	RW
0x0845	Pause Timer Register - High byte	PAUSTMRH	RW
0x0846	FIFO Almost Full Threshold Register - Low	FIFOAFTL	RW
0x0847	FIFO Almost Full Threshold Register - High	FIFOAFTH	RW
0x0848	FIFO Almost Empty Threshold Register - Low	FIFOAETL	RW
0x0849	FIFO Almost Empty Threshold Register - High	FIFOAETH	RW
0x084a	Rx Status Register	RXSTATUS	RO/COR
0x084b	Tx Status Register	TXSTATUS	RO/COR
0x084c, 0x084d	Rx Packet Ignored Counter Register (L,H)	RXPICNT	RO/COR
0x084e, 0x084f	Rx Length Check Error CouNTER (L,H)	RXLCECNT	RO/COR
0x0850, 0x0851	Rx Long Frames CouNTER Register (L,H)	RXLFCNT	RO/COR
0x0852, 0x0853	Rx Short Frames CouNTER Register (L,H)	RXSFCNT	RO/COR
0x0854, 0x0855	Rx IPG violations CouNTER Register (L,H)	RXIPGCNT	RO/COR
0x0856, 0x0857	Rx CRC errors CouNTER Register (L,H)	RXCRCNT	RO/COR
0x0858, 0x0859	Rx OK packets CouNTER Register (L,H)	RXOKCNT	RO/COR
0x085a, 0x085b	Rx Control Frame CouNTER Register (L,H)	RXCFCNT	RO/COR
0x085c, 0x085d	Rx Pause Frame CouNTER Register (L,H)	RXPFCNT	RO/COR
0x085e, 0x085f	Rx Multicast Frame CouNTER Register (L,H)	RXMFCNT	RO/COR
0x0860, 0x0861	Rx Broadcast Frame CouNTER Register (L,H)	RXBFCNT	RO/COR
0x0862, 0x0863	Rx VLAN tagged Frame CouNTER Register (L,H)	RXVFCNT	RO/COR
0x0864, 0x0865	Tx Unicast Frame CouNTER Register (L,H)	TXUFCNT	RO/COR
0x0866, 0x0867	Tx Pause Frame CouNTER Register (L,H)	TXPFCNT	RO/COR
0x0868, 0x0869	Tx Multicast Frame CouNTER Register (L,H)	TXMFCNT	RO/COR
0x086a, 0x086b	Tx Broadcast Frame CouNTER Register (L,H)	TXBFCNT	RO/COR
0x086c, 0x086d	Tx VLAN tagged Frame CouNTER Register (L,H)	TXVFCNT	RO/COR
0x086e, 0x086f	Tx BAD FCS Frame CouNTER Register (L,H)	TXBFCNT	RO/COR
0x0870, 0x0871	Tx Jumbo Frame CouNTER Register (L,H)	TXJFCNT	RO/COR
0x0872 - 0x08FF	UNUSED		

The ID/Scratch pad registers are a simple set of registers used for additional IDs and one register can be used as a scratch Pad. Table 9 shows the registers.

**Table 9. ID/Scratch Pad Registers**

Address	Register Description	Mnemonic	Type
0x880	8 bit id_0	ID0	RO (0xAA)
0x881	8 bit Id_1	ID1	RO (0x55)
0x882	Scratch pad	scratch	R/W
0x882-0x8BF Unused	Unused		

**Register Bit Descriptions for Table 8.**

0x0840 **Version/IDentification Register** VERID Read Only  
default value = 0xA2

0x0841 **Test Control Register** TSTCNTL Read/Write  
default value = 0x00

- bit\_0 = destination/source address swap - 1 = swap, 0 = no swap
- bit\_1 = loop back enable - 1 = loopback, 0 = no loopback
- bit\_2 = Not used
- bit\_3 = Not used
- bit\_4 = Not used
- bit\_5 = Not used
- bit\_6 = Not used
- bit\_7 = Not used

0x0842 **Test Control Register 2** TSTCNTL 2 Read/Write  
default value = 0x00

- bit\_0 = Not used
- bit\_1 = Not used
- bit\_2 = Not used
- bit\_3 = Not used
- bit\_4 = Not used
- bit\_5 = Not used
- bit\_6 = Not used
- bit\_7 = Not used

0x0843 **MAC Control Register** MACCNTL Read/Write  
default value = 0x00

- bit\_0 = send pause request: 1 = send request, 0 = don't send request  
This register bit gets ORed with the tx\_fifo almost full signal. The ORed output sets the tx\_sndpausreq pin on the 2.5Gbps MAC core.
- bit\_1 = fifo control frame  
This register bit sets the tx\_fifoctrl pin on the 2.5Gbps MAC core.

bit\_2 = rx\_fifo full (Note that the Tx and Rx FIFO are the same, only one loopback FIFO).  
This register bit gets ORed with the tx\_fifo full signal. The ORed output sets the rx\_fifo\_full pin on the 2.5Gbps MAC core. See the LatticeSC/M Family Data Sheet for more information. Note that by setting this bit you can mimic the Rx FIFO being full.

bit\_3 = tx\_fifo empty  
This register bit gets ORed with the tx\_fifo empty signal. The ORed output sets the tx\_fifo\_empty pin on the 2.5Gbps MAC core. See the LatticeSC/M Family Data Sheet for more information. Note that by setting this bit you can mimic the Tx FIFO being empty.

bit\_4 = ignore next packet  
This register bit sets the ignore\_next\_pkt pin on the 2.5Gbps MAC core.

bit\_5 = Not used

bit\_6 = Not used

bit\_7 = Not used

0x0844 **Pause Timer Register - Low byte**      PAUSTMRL Read/Write  
0x0845 **Pause Timer Register - High byte**      PAUSTMRH Read/Write  
default value = 0x0000

Low Reg

bit[7:0] = pause timer low bits  
These register bits set the tx\_sndpaustim[7:0] pins on the 2.5Gbps MAC core.

High Reg

bit[7:0] = pause timer high bits  
These register bits set the tx\_sndpaustim[15:8] pins on the 2.5Gbps MAC core.

0x0846 **FIFO Almost Full Threshold Register - Low**      FIFOAFTL Read/Write  
0x0847 **FIFO Almost Full Threshold Register - High**      FIFOAFTH Read/Write  
default value = 0x01C1

Low Reg

bit[7:0] = FIFO Almost Full Threshold - Low  
These register bits set the loopback FIFO threshold [7:0] bits.

High Reg

bit[0] = FIFO Almost Full Threshold - High  
This register bit sets the loopback FIFO threshold bit [8].

bit[7:1] = Not used.

0x0848 **FIFO Almost Empty Threshold Register - Low**      FIFOAETL Read/Write  
0x0849 **FIFO Almost Empty Threshold Register - High**      FIFOAETH Read/Write  
default value = 0x0005

Low Reg

bit[7:0] = FIFO Almost Empty Threshold - Low  
These register bits set the loopback FIFO threshold [7:0] bits.

High Reg

bit[0] = FIFO Almost Empty Threshold - High  
This register bit sets the loopback FIFO threshold bit [8].

bit[7:1] = Not used.

0x084a **Rx Status Register** RXSTATUS Read Only/clear on read

default value = 0x00

0x084b **Tx Status Register** TXSTATUS Read Only/clear on read

default value = 0x00

Rx status

- bit\_0 = latches rx\_error value from 2.5Gbps MAC core pin
- bit\_1 = latches rx\_fifo\_error value from 2.5Gbps MAC core pin
- bit\_2 = Not Used
- bit\_3 = Not used
- bit\_4 = Not used
- bit\_5 = Not used
- bit\_6 = Not used
- bit\_7 = Not used

Tx status

- bit\_0 = latches tx\_discfrm value from 2.5Gbps MAC core pin
- bit\_1 = latches tx\_fifo\_full value from loopback fifo
- bit\_2 = Not Used
- bit\_3 = Not used
- bit\_4 = Not used
- bit\_5 = Not used
- bit\_6 = Not used
- bit\_7 = Not used

The following counter registers are all 16 bits with 8-bit low and 8-bit high address locations. The counters count different Rx and Tx statistics as defined by the statistics vectors in this document. All counters have a power-on default value of 0x0000.

0x084c	<b>Rx Packet Ignored Counter Register</b>	RXPICNT	RO/COR
0x084e	<b>Rx Length Check Error Counter</b>	RXLCECNT	RO/COR
0x0850	<b>Rx Long Frames Counter Register</b>	RXLFCNT	RO/COR
0x0852	<b>Rx Short Frames Counter Register</b>	RXSFCNT	RO/COR
0x0854	<b>Rx IPG violations Counter Register</b>	RXIPGCNT	RO/COR
0x0856	<b>Rx CRC errors Counter Register</b>	RXCRCNT	RO/COR
0x0858	<b>Rx OK packets Counter Register</b>	RXOKCNT	RO/COR
0x085a	<b>Rx Control Frame Counter Register</b>	RXCFCNT	RO/COR
0x085c	<b>Rx Pause Frame Counter Register</b>	RXPFCNT	RO/COR
0x085e	<b>Rx Multicast Frame Counter Register</b>	RXMFCNT	RO/COR
0x0860	<b>Rx Broadcast Frame Counter Register</b>	RXBFCNT	RO/COR
0x0862	<b>Rx VLAN Tagged Frame Counter Register</b>	RXVFCNT	RO/COR
0x0864	<b>Tx Unicast Frame Counter Register</b>	TXUFCNT	RO/COR
0x0866	<b>Tx Pause Frame Counter Register</b>	TXPFCNT	RO/COR
0x0868	<b>Tx Multicast Frame Counter Register</b>	TXMFCNT	RO/COR
0x086a	<b>Tx Broadcast Frame Counter Register</b>	TXBFCNT	RO/COR
0x086c	<b>Tx VLAN Tagged Frame Counter Register</b>	TXVFCNT	RO/COR
0x086e	<b>Tx BAD FCS Frame Counter Register</b>	TXBFCNT	RO/COR
0x0870	<b>Tx Jumbo Frame Counter Register</b>	TXJFCNT	RO/COR

**Test Application Pins****Table 10. Test Application FPGA Pins**

Signal Name	I/O	Pin Number	Signal Description
ref_clk_in	In	N27	Reference Clock - 156.25MHz clock source
rst_n	In	H5	Reset - Active low global reset
hdinp0	In	HDINP00	Inbound SERDES P - Channel 0
hdinn0	In	HDINN00	Inbound SERDES N - Channel 0
hdoutp0	Out	HDOUTP00	Outbound SERDES P - Channel 0
hdoutn0	Out	HDOUTN00	Outbound SERDES N - Channel 0
hdinp1	In	HDINP10	Inbound SERDES P - Channel 1
hdinn1	In	HDINN10	Inbound SERDES N - Channel 1
hdoutp1	Out	HDOUTP10	Outbound SERDES P - Channel 1
hdoutn1	Out	HDOUTN10	Outbound SERDES N - Channel 1
tck	In	TCK	JTAG Clock Source (0 - 50MHz)
tdi	In	TDI	JTAG Data Input
tdo	Out	TDO	JTAG Data Output
tms	In	TMS	JTAG Test Mode Select
activity_dut_LED	Out	U26	Blue LED flashes when RX_DV on Channel 0 toggles
activity_drv_chan_LED	Out	H26	ORANGE LED flashes when RX_DV on Channel 1 toggles
mon_pass_LED	Out	AD25	Yellow LED solid on when Channel1 monitor data pattern OK
mon_fail_LED	Out	AJ28	Red LED solid on when Channel 1 monitor data pattern fails
ext_gmii_sel	In	AG24	Set low to source packets from internal packet driver

Note: Location preferences are not specified for these pins. See your implementation results for actual pin locations.



Компания «ЭлектроПласт» предлагает заключение долгосрочных отношений при поставках импортных электронных компонентов на взаимовыгодных условиях!

Наши преимущества:

- Оперативные поставки широкого спектра электронных компонентов отечественного и импортного производства напрямую от производителей и с крупнейших мировых складов;
- Поставка более 17-ти миллионов наименований электронных компонентов;
- Поставка сложных, дефицитных, либо снятых с производства позиций;
- Оперативные сроки поставки под заказ (от 5 рабочих дней);
- Экспресс доставка в любую точку России;
- Техническая поддержка проекта, помощь в подборе аналогов, поставка прототипов;
- Система менеджмента качества сертифицирована по Международному стандарту ISO 9001;
- Лицензия ФСБ на осуществление работ с использованием сведений, составляющих государственную тайну;
- Поставка специализированных компонентов (Xilinx, Altera, Analog Devices, Intersil, Interpoint, Microsemi, Aeroflex, Peregrine, Syfer, Eurofarad, Texas Instrument, Miteq, Cobham, E2V, MA-COM, Hittite, Mini-Circuits, General Dynamics и др.);

Помимо этого, одним из направлений компании «ЭлектроПласт» является направление «Источники питания». Мы предлагаем Вам помощь Конструкторского отдела:

- Подбор оптимального решения, техническое обоснование при выборе компонента;
- Подбор аналогов;
- Консультации по применению компонента;
- Поставка образцов и прототипов;
- Техническая поддержка проекта;
- Защита от снятия компонента с производства.



#### Как с нами связаться

**Телефон:** 8 (812) 309 58 32 (многоканальный)

**Факс:** 8 (812) 320-02-42

**Электронная почта:** [org@eplast1.ru](mailto:org@eplast1.ru)

**Адрес:** 198099, г. Санкт-Петербург, ул. Калинина, дом 2, корпус 4, литера А.