

This document is the property of Amphenol Corporation and is delivered on the express condition that it is not to be disclosed, reproduced or used, in whole or in part, for manufacture or sale by anyone other than Amphenol Corporation without its prior consent, and that no right is granted to disclose or to use any information in this document.

The marking on this product doesn't contain environmental hazardous materials per Material Specification 55-00259 for Sony GP compliant or per directive 2011/65/EU for RoHS compliant.

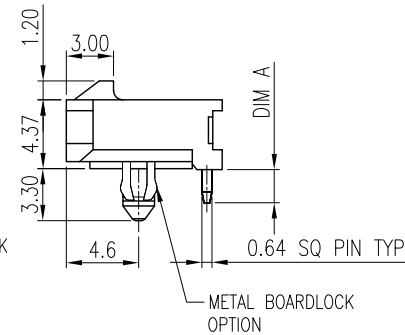
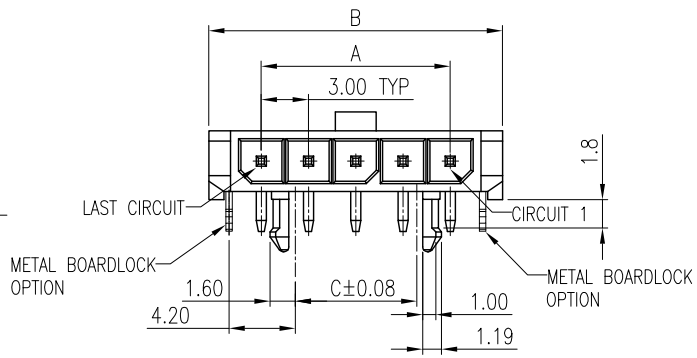
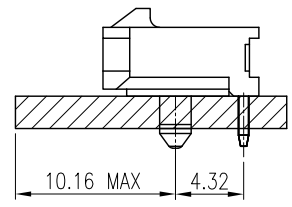
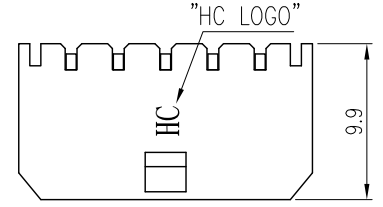
ORIGINAL

| REVISIONS |          |   |            |            |
|-----------|----------|---|------------|------------|
| SYM       | ECN No.  | DESCRIPTION                                   | DATE       | APPROVED   |
| A         | NE-14096 | RELEASE TO PRODUCTION                         | 05/21/2014 | Arron Lin  |
| B         | NE-15016 | COMBINE DRAWING FOR PACKAGE AND TAIL OPTIONS. | 02/02/2015 | Arron Lin  |
| C         | NE-16117 | ADDED METAL BOARDLOCK OPTION                  | 05/13/2016 | Roger Tsai |



NOTES:

- MATERIAL:
  - HOUSING: HIGH TEMPERATURE THERMAL PLASTIC, LCP, UL94V-0, COLOR: BLACK.
  - TERMINAL: HIGH PERFORMANCE COPPER ALLOY.
  - METAL BOARDLOCK: COPPER ALLOY.
- FINISH:
  - TERMINAL:
    - CONTACT AREA: SELECTIVE PLATING;
    - SOLDERING AREA: MATTE TIN PLATING 100  $\mu$  THICKNESS MIN.;
    - UNDER PLATING: NICKEL PLATING 50  $\mu$  THICKNESS MIN. OVERALL.
  - METAL BOARDLOCK:
    - MATTE TIN PLATING 100  $\mu$  THICKNESS MIN.;
    - UNDER PLATING: NICKEL PLATING 50  $\mu$  THICKNESS MIN. OVERALL.
- PACKING IS PER AMTA PACKING SPECIFICATION PKS-0001.
- THIS PRODUCT DOESN'T CONTAIN ENVIRONMENTAL HAZARDOUS PER DIRECTIVE 2011/65/EU FOR RoHS COMPLIANT.
- PRODUCT SPECIFICATION REFER TO : PS-7528
- TO ENSURE CURRENT RATING CAPABILITY, PLEASE ADOPT TOTAL SOLUTION. (G88MPH CABLE HOUSING SERIES WITH G88MPC CABLE TERMINAL SERIES)



PART NO. G88MPBXXOX2XXEU

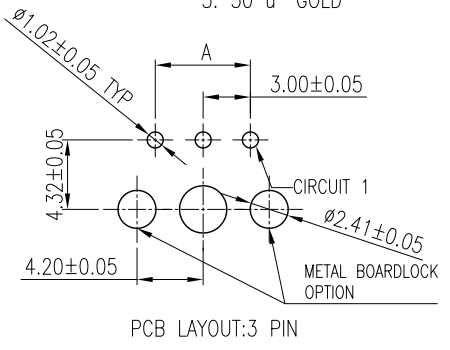
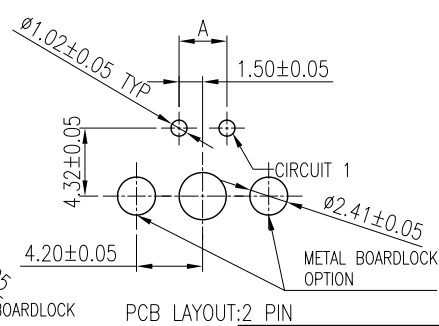
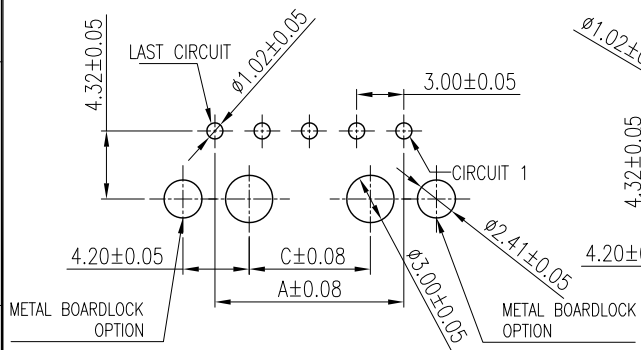
No. OF CIRCUIT

- DIM A /PACKING OPTIONS/METAL BOARDLOCK
- C1: 2.10mm/TRAY/ W/O METAL BOARDLOCK
  - C : 3.20mm/TRAY/ W/O METAL BOARDLOCK
  - C3: 2.10mm/TRAY/ W/METAL BOARDLOCK
  - C4: 3.20mm/TRAY/ W/METAL BOARDLOCK
  - 1R: 2.10mm/T&R/ W/O METAL BOARDLOCK
  - 2R: 3.20mm/T&R/ W/O METAL BOARDLOCK
  - 3R: 2.10mm/T&R/ W/METAL BOARDLOCK
  - 4R: 3.20mm/T&R/ W/METAL BOARDLOCK

CONTACT FINISH

- 0: MATTE TIN (OVERALL)
- UNDER PLATING NICKEL
- 50  $\mu$  THICKNESS MIN
- 1: FLASH GOLD (OVERALL)
- 2: 15  $\mu$  GOLD
- 3: 30  $\mu$  GOLD

|       |      |       |      |
|-------|------|-------|------|
| 28.70 | 33.0 | 39.65 | 12   |
| 25.70 | 30.0 | 36.65 | 11   |
| 22.70 | 27.0 | 33.65 | 10   |
| 19.70 | 24.0 | 30.65 | 09   |
| 16.70 | 21.0 | 27.65 | 08   |
| 13.70 | 18.0 | 24.65 | 07   |
| 10.70 | 15.0 | 21.65 | 06   |
| 7.70  | 12.0 | 18.65 | 05   |
| 4.70  | 9.0  | 15.65 | 04   |
| NA    | 6.0  | 12.65 | 03   |
| NA    | 3.0  | 9.65  | 02   |
| C     | A    | B     | POS. |



PCB LAYOUT: COMPONENT SIDE  
RECOMMENDED PCB THICKNESS: 1.57  
4-12 CIRCUIT HEADERS

| TOLERANCE                  | APPROVALS           | DATE             | TITLE  |              | Amphenol®   |        |
|----------------------------|---------------------|------------------|--|--------------|---|--------|
| X. ±0.30                   | DRAWN Aqua Chou     | 05/13/2016       | G88MP SERIES MICRO<br>POWER PLUS 3.0 PITCH<br>S/R R/A DIP TYPE |              | Amphenol Corporation<br>Amphenol Taiwan Corporation |        |
| X.X ±0.20                  | CHECKED Roger Tsai  | 05/13/2016       |  |              |   |        |
| X.XXX ±0.10                | APPROVED Roger Tsai | 05/13/2016       |  |              |   |        |
| ANGULAR ±1°                | DWG TYPE CUST DWG   | PROJECT CODE PHD | UNIT mm  | SIZE A3      | PART No. G88MPBXXOX2XXEU                            |        |
| UNLESS OTHERWISE SPECIFIED |                     |                  | SCALE NA   | SHEET 1 OF 5 | DWG No. G88MPBXXOX2XXEU                             | REV. C |

This document is the property of Amphenol Corporation and is delivered on the express condition that is not to be disclosed, reproduced or used, in whole or in part, for manufacture or sale by anyone other than Amphenol Corporation without its prior consent, and that no right is granted to disclose or to use any information in this document.

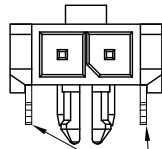
The marking on this product doesn't contain environmental hazardous materials per Material Specification SS-00259 for Sony GP compliant or per directive 2011/65/EU for RoHS compliant.



ORIGINAL

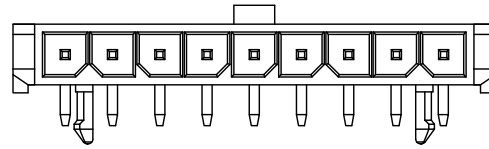


| REVISIONS |          |   |            |            |
|-----------|----------|---|------------|------------|
| SYM       | ECN No.  | DESCRIPTION                                   | DATE       | APPROVED   |
| A         | NE-14096 | RELEASE TO PRODUCTION                         | 05/21/2014 | Arron Lin  |
| B         | NE-15016 | COMBINE DRAWING FOR PACKAGE AND TAIL OPTIONS. | 02/02/2015 | Arron Lin  |
| C         | NE-16117 | ADDED METAL BOARDLOCK OPTION                  | 05/13/2016 | Roger Tsai |

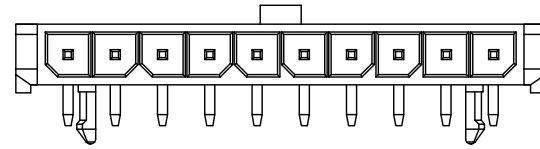


2 POS

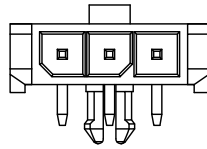
METAL BOARDLOCK  
OPTION FOR POS2~12



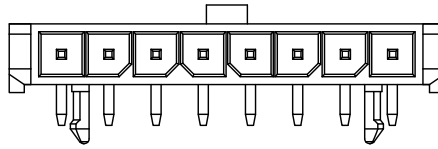
9 POS



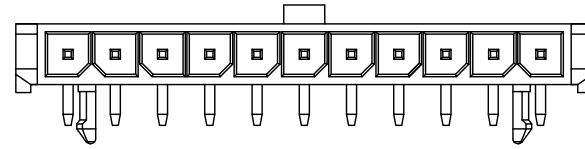
10 POS



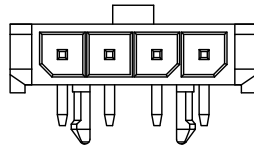
3 POS



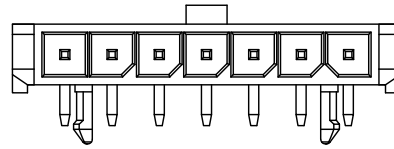
8 POS



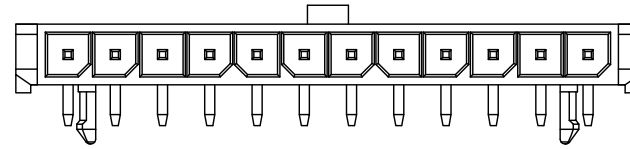
11 POS



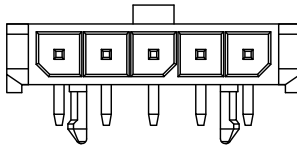
4 POS



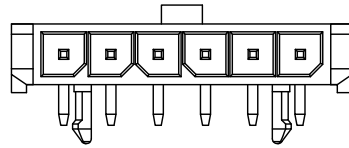
7 POS



12 POS



5 POS



6 POS

| TOLERANCE                  |       | APPROVALS |            | DATE         | TITLE  |       | Amphenol®   |       |        |          |                 |      |
|----------------------------|-------|-----------|------------|--------------|--|-------|---|-------|--------|----------|-----------------|------|
| X.                         |       | DRAWN     | Aqua Chou  | 05/13/2016   | G88MP SERIES MICRO<br>POWER PLUS 3.0 PITCH<br>S/R R/A DIP TYPE |       | Amphenol Corporation<br>Amphenol Taiwan Corporation |       |        |          |                 |      |
| X.X                        | ±0.30 | CHECKED   | Roger Tsai | 05/13/2016   |  |       |   |       |        |          |                 |      |
| X.XXX                      | ±0.20 | APPROVED  | Roger Tsai | 05/13/2016   |  |       |   |       |        |          |                 |      |
| X.XXX                      | ±0.10 | DWG TYPE  |            | PROJECT CODE |  | UNIT  | mm  | SIZE  | A3     | PART No. | G88MPBXX0X2XXEU |      |
| ANGULAR                    | ±1°   | CUST DWG  |            | PHD          |  | SCALE | NA  | SHEET | 2 OF 5 | DWG No.  | G88MPBXX0X2XXEU | REV. |
| UNLESS OTHERWISE SPECIFIED |       |           |            |              |  |       |   |       |        |          |                 |      |

This document is the property of Amphenol Corporation and is delivered on the express condition that is not to be disclosed, reproduced or used, in whole or in part, for manufacture or sale by anyone other than Amphenol Corporation without its prior consent, and that no right is granted to disclose or to use any information in this document.

The marking on this product doesn't contain environmental hazardous materials per Material Specification SS-00259 for Sony GP compliant or per directive 2011/65/EU for RoHS compliant.

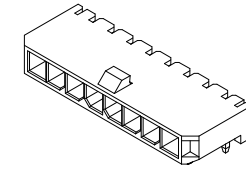


ORIGINAL

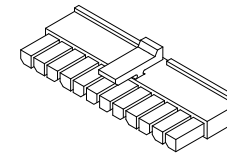


| REVISIONS |          |   |            |            |
|-----------|----------|---|------------|------------|
| SYM       | ECN No.  | DESCRIPTION                                   | DATE       | APPROVED   |
| A         | NE-14096 | RELEASE TO PRODUCTION                         | 05/21/2014 | Arron Lin  |
| B         | NE-15016 | COMBINE DRAWING FOR PACKAGE AND TAIL OPTIONS. | 02/02/2015 | Arron Lin  |
| C         | NE-16117 | ADDED METAL BOARDLOCK OPTION                  | 05/13/2016 | Roger Tsai |

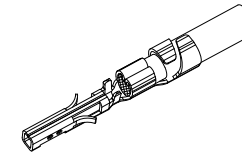
| POS. | BOARD-MOUNT P/N | CABLE HOUSING P/N | CABLE TERMINAL P/N | AWG NO.   | PLATING OPTIONS              |
|------|-----------------|-------------------|--------------------|-----------|------------------------------|
| 02   | G88MPB020X2XXEU | G88MPH0221CEU     | G88MPCX232CEU      | AWG#16~18 | 0: TIN 100u" ; 1: FLASH GOLD |
|      |                 |                   | G88MPCX332CEU      | AWG#20~30 | 2: 15u" GOLD ; 3: 30u" GOLD  |
| 03   | G88MPB030X2XXEU | G88MPH0321CEU     | G88MPCX232CEU      | AWG#16~18 | 0: TIN 100u" ; 1: FLASH GOLD |
|      |                 |                   | G88MPCX332CEU      | AWG#20~30 | 2: 15u" GOLD ; 3: 30u" GOLD  |
| 04   | G88MPB040X2XXEU | G88MPH0421CEU     | G88MPCX232CEU      | AWG#16~18 | 0: TIN 100u" ; 1: FLASH GOLD |
|      |                 |                   | G88MPCX332CEU      | AWG#20~30 | 2: 15u" GOLD ; 3: 30u" GOLD  |
| 05   | G88MPB050X2XXEU | G88MPH0521CEU     | G88MPCX232CEU      | AWG#16~18 | 0: TIN 100u" ; 1: FLASH GOLD |
|      |                 |                   | G88MPCX332CEU      | AWG#20~30 | 2: 15u" GOLD ; 3: 30u" GOLD  |
| 06   | G88MPB060X2XXEU | G88MPH0621CEU     | G88MPCX232CEU      | AWG#16~18 | 0: TIN 100u" ; 1: FLASH GOLD |
|      |                 |                   | G88MPCX332CEU      | AWG#20~30 | 2: 15u" GOLD ; 3: 30u" GOLD  |
| 07   | G88MPB070X2XXEU | G88MPH0721EU      | G88MPCX232CEU      | AWG#16~18 | 0: TIN 100u" ; 1: FLASH GOLD |
|      |                 |                   | G88MPCX332CEU      | AWG#20~30 | 2: 15u" GOLD ; 3: 30u" GOLD  |
| 08   | G88MPB080X2XXEU | G88MPH0821CEU     | G88MPCX232CEU      | AWG#16~18 | 0: TIN 100u" ; 1: FLASH GOLD |
|      |                 |                   | G88MPCX332CEU      | AWG#20~30 | 2: 15u" GOLD ; 3: 30u" GOLD  |
| 09   | G88MPB090X2XXEU | G88MPH0921CEU     | G88MPCX232CEU      | AWG#16~18 | 0: TIN 100u" ; 1: FLASH GOLD |
|      |                 |                   | G88MPCX332CEU      | AWG#20~30 | 2: 15u" GOLD ; 3: 30u" GOLD  |
| 10   | G88MPB100X2XXEU | G88MPH1021CEU     | G88MPCX232CEU      | AWG#16~18 | 0: TIN 100u" ; 1: FLASH GOLD |
|      |                 |                   | G88MPCX332CEU      | AWG#20~30 | 2: 15u" GOLD ; 3: 30u" GOLD  |
| 11   | G88MPB110X2XXEU | G88MPH1121CEU     | G88MPCX232CEU      | AWG#16~18 | 0: TIN 100u" ; 1: FLASH GOLD |
|      |                 |                   | G88MPCX332CEU      | AWG#20~30 | 2: 15u" GOLD ; 3: 30u" GOLD  |
| 12   | G88MPB120X2XXEU | G88MPH1221CEU     | G88MPCX232CEU      | AWG#16~18 | 0: TIN 100u" ; 1: FLASH GOLD |
|      |                 |                   | G88MPCX332CEU      | AWG#20~30 | 2: 15u" GOLD ; 3: 30u" GOLD  |



AMPHENOL BOARD-MOUNT



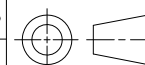
AMPHENOL CABLE HOUSING



AMPHENOL CABLE TERMINAL

NOTE:  
TO ENSURE CURRENT RATING CAPABILITY,  
PLEASE ADOPT TOTAL SOLUTION.  
(G88MPH CABLE HOUSING SERIES WITH  
G88MPC CABLE TERMINAL SERIES)

| TOLERANCE                  |       | APPROVALS |            | DATE       | TITLE  |  | Amphenol®   |    |       |        |          |                 |      |   |
|----------------------------|-------|-----------|------------|------------|--|--|---|----|-------|--------|----------|-----------------|------|---|
| X.                         |       | DRAWN     | Aqua Chou  | 05/13/2016 | G88MP SERIES MICRO<br>POWER PLUS 3.0 PITCH<br>S/R R/A DIP TYPE |  | Amphenol Corporation<br>Amphenol Taiwan Corporation |    |       |        |          |                 |      |   |
| X.X                        | ±0.30 | CHECKED   | Roger Tsai | 05/13/2016 |  |  |   |    |       |        |          |                 |      |   |
| X.XX                       | ±0.20 | APPROVED  | Roger Tsai | 05/13/2016 |  |  |   |    |       |        |          |                 |      |   |
| X.XXX                      | ±0.10 |           |            |            |  |  | UNIT  | mm | SIZE  | A3     | PART No. | G88MPBXX0X2XXEU |      |   |
| ANGULAR                    | ±1°   |           |            |            |  |  | SCALE   | NA | SHEET | 3 OF 5 | DWG No.  | G88MPBXX0X2XXEU | REV. | C |
| UNLESS OTHERWISE SPECIFIED |       | DWG TYPE  |            | CUST DWG   | PROJECT CODE   |  | PHD   |    |       |        |          |                 |      |   |



This document is the property of Amphenol Corporation and is delivered on the express condition that is not to be disclosed, reproduced or used, in whole or in part, for manufacture or sale by anyone other than Amphenol Corporation without its prior consent, and that no right is granted to disclose or to use any information in this document.

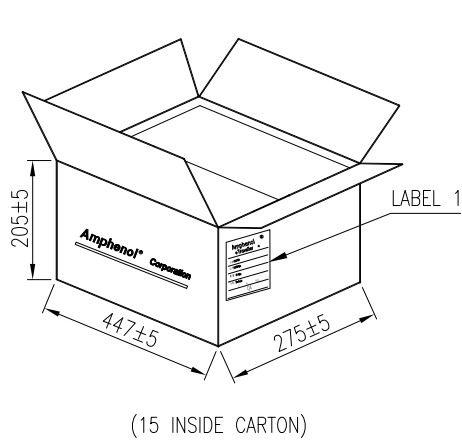
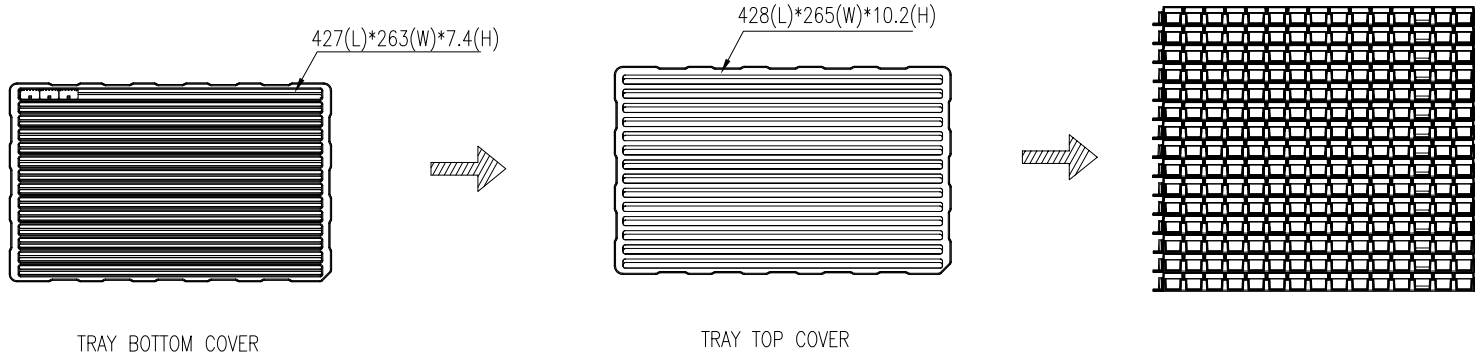
The marking on this product doesn't contain environmental hazardous materials per Material Specification SS-00259 for Sony GP compliant or per directive 2011/65/EU for RoHS compliant.



ORIGINAL



| REVISIONS |          |   |            |            |
|-----------|----------|---|------------|------------|
| SYM       | ECN No.  | DESCRIPTION                                   | DATE       | APPROVED   |
| A         | NE-14096 | RELEASE TO PRODUCTION                         | 05/21/2014 | Arron Lin  |
| B         | NE-15016 | COMBINE DRAWING FOR PACKAGE AND TAIL OPTIONS. | 02/02/2015 | Arron Lin  |
| C         | NE-16117 | ADDED METAL BOARDLOCK OPTION                  | 05/13/2016 | Roger Tsai |



| POS | PCS/TRAY | PCS/CARTON |
|-----|----------|------------|
| 02  | 574      | 8610       |
| 03  | 434      | 6510       |
| 04  | 350      | 5250       |
| 05  | 294      | 4410       |
| 06  | 252      | 3780       |
| 07  | 224      | 3360       |
| 08  | 196      | 2940       |
| 09  | 182      | 2730       |
| 10  | 154      | 2310       |
| 11  | 140      | 2100       |
| 12  | 140      | 2100       |

| TOLERANCE                  |       | APPROVALS |            | DATE       | TITLE  |       | Amphenol®   |       |        |          |                 |      |   |
|----------------------------|-------|-----------|------------|------------|--|-------|---|-------|--------|----------|-----------------|------|---|
| X.                         |       | DRAWN     | Aqua Chou  | 05/13/2016 | G88MP SERIES MICRO<br>POWER PLUS 3.0 PITCH<br>S/R R/A DIP TYPE |       | Amphenol Corporation<br>Amphenol Taiwan Corporation |       |        |          |                 |      |   |
| X.X                        | ±0.30 | CHECKED   | Roger Tsai | 05/13/2016 |  |       |   |       |        |          |                 |      |   |
| X.XX                       | ±0.20 | APPROVED  | Roger Tsai | 05/13/2016 |  |       |   |       |        |          |                 |      |   |
| X.XXX                      | ±0.10 |           |            |            |  | UNIT  | mm  | SIZE  | A3     | PART No. | G88MPBXX0X2XXEU |      |   |
| ANGULAR                    | ±1°   | DWG TYPE  |            | CUST DWG   | PROJECT CODE   | SCALE | NA  | SHEET | 4 OF 5 | DWG No.  | G88MPBXX0X2XXEU | REV. | C |
| UNLESS OTHERWISE SPECIFIED |       |           |            |            |  |       |   |       |        |          |                 |      |   |

This document is the property of Amphenol Corporation and is delivered on the express condition that is not to be disclosed, reproduced or used, in whole or in part, for manufacture or sale by anyone other than Amphenol Corporation without its prior consent, and that no right is granted to disclose or to use any information in this document.

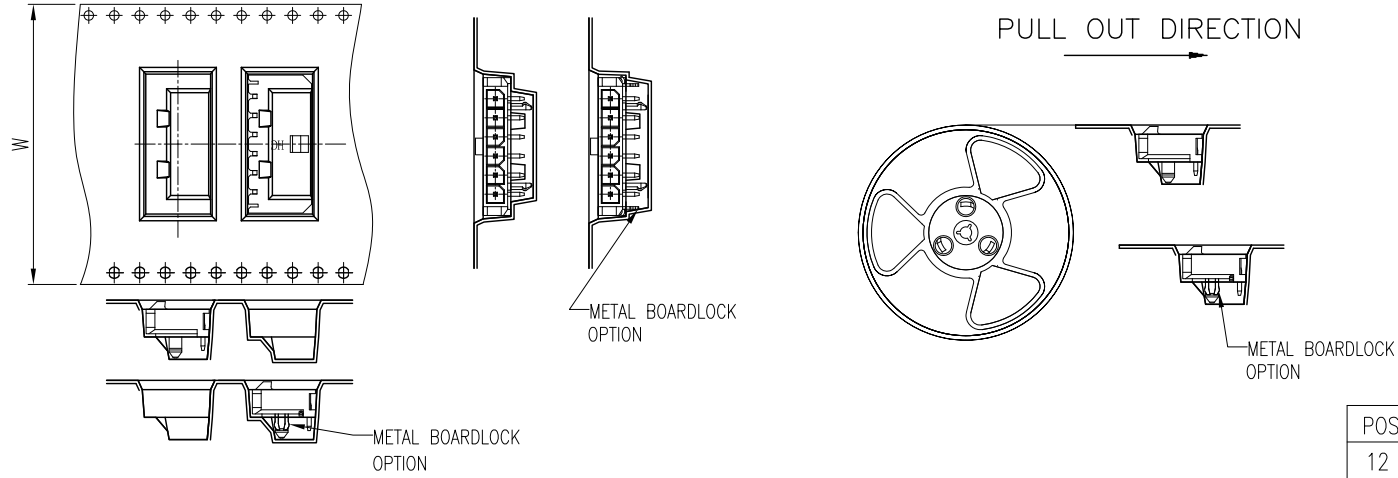
The marking on this product doesn't contain environmental hazardous materials per Material Specification SS-00259 for Sony GP compliant or per directive 2011/65/EU for RoHS compliant.



ORIGINAL

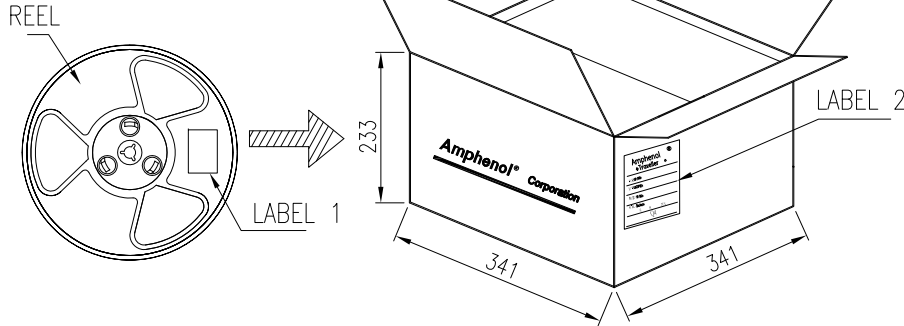


| REVISIONS |          |   |            |            |
|-----------|----------|---|------------|------------|
| SYM       | ECN No.  | DESCRIPTION                                   | DATE       | APPROVED   |
| A         | NE-14096 | RELEASE TO PRODUCTION                         | 05/21/2014 | Arron Lin  |
| B         | NE-15016 | COMBINE DRAWING FOR PACKAGE AND TAIL OPTIONS. | 02/02/2015 | Arron Lin  |
| C         | NE-16117 | ADDED METAL BOARDLOCK OPTION                  | 05/13/2016 | Roger Tsai |



| POS | W  | PCS/REEL | PCS/CARTON |
|-----|----|----------|------------|
| 12  | 56 | 400      | 1200       |
| 11  | 56 | 400      | 1200       |
| 10  | 56 | 400      | 1200       |
| 09  | 56 | 400      | 1200       |
| 08  | 44 | 400      | 1600       |
| 07  | 44 | 400      | 1600       |
| 06  | 44 | 400      | 1600       |
| 05  | 32 | 400      | 2000       |
| 04  | 32 | 400      | 2000       |
| 03  | 24 | 400      | 2800       |
| 02  | 24 | 400      | 2800       |

|   |
|---|
| P/N :                                   |
| QTY : XX                                |
| P/O : XXX-XXXXXX-XXX                    |
| DATE : XX / XX / XXXX<br>MM / DD / YYYY |
| G.W : XX KG      RoHS                   |
| Amphenol Taiwan Corporation             |
| LABEL 1 & LABEL 2                       |



| TOLERANCE                  |       | APPROVALS |            | DATE         |            | TITLE  |    |       | Amphenol®   |                          |  |
|----------------------------|-------|-----------|------------|--------------|------------|--|----|-------|---|--------------------------|--|
| X.                         |       | DRAWN     | Aqua Chou  |              | 05/13/2016 | G88MP SERIES MICRO<br>POWER PLUS 3.0 PITCH<br>S/R R/A DIP TYPE |    |       | Amphenol Corporation<br>Amphenol Taiwan Corporation |                          |  |
| X.X                        | ±0.30 | CHECKED   | Roger Tsai |              | 05/13/2016 |  |    |       |   |                          |  |
| X.XX                       | ±0.20 | APPROVED  | Roger Tsai |              | 05/13/2016 |  |    |       |   |                          |  |
| X.XXX                      | ±0.10 |           |            |              |            | UNIT   | mm | SIZE  | A3  | PART No. G88MPBXX0X2XXEU |  |
| ANGULAR                    | ±1°   | DWG TYPE  |            | PROJECT CODE |            | SCALE  | NA | SHEET | 5 OF 5  | DWG No. G88MPBXX0X2XXEU  |  |
| UNLESS OTHERWISE SPECIFIED |       | CUST DWG  |            | PHD          |            |  |    |       | REV. C  |                          |  |



Компания «ЭлектроПласт» предлагает заключение долгосрочных отношений при поставках импортных электронных компонентов на взаимовыгодных условиях!

Наши преимущества:

- Оперативные поставки широкого спектра электронных компонентов отечественного и импортного производства напрямую от производителей и с крупнейших мировых складов;
- Поставка более 17-ти миллионов наименований электронных компонентов;
- Поставка сложных, дефицитных, либо снятых с производства позиций;
- Оперативные сроки поставки под заказ (от 5 рабочих дней);
- Экспресс доставка в любую точку России;
- Техническая поддержка проекта, помощь в подборе аналогов, поставка прототипов;
- Система менеджмента качества сертифицирована по Международному стандарту ISO 9001;
- Лицензия ФСБ на осуществление работ с использованием сведений, составляющих государственную тайну;
- Поставка специализированных компонентов (Xilinx, Altera, Analog Devices, Intersil, Interpoint, Microsemi, Aeroflex, Peregrine, Syfer, Eurofarad, Texas Instrument, Miteq, Cobham, E2V, MA-COM, Hittite, Mini-Circuits, General Dynamics и др.);

Помимо этого, одним из направлений компании «ЭлектроПласт» является направление «Источники питания». Мы предлагаем Вам помощь Конструкторского отдела:

- Подбор оптимального решения, техническое обоснование при выборе компонента;
- Подбор аналогов;
- Консультации по применению компонента;
- Поставка образцов и прототипов;
- Техническая поддержка проекта;
- Защита от снятия компонента с производства.



#### Как с нами связаться

**Телефон:** 8 (812) 309 58 32 (многоканальный)

**Факс:** 8 (812) 320-02-42

**Электронная почта:** [org@eplast1.ru](mailto:org@eplast1.ru)

**Адрес:** 198099, г. Санкт-Петербург, ул. Калинина, дом 2, корпус 4, литера А.