

PLEASE CHECK WWW.MOLEX.COM FOR LATEST PART INFORMATION

Part Number: **0678408001**
Status: **Active**
Description: 2.50mm (.098") Pitch, SDIO Memory Card Connector, Standard Mount, Stand Off 1.80mm (.709"), Footprint A, Type A Cover, Lead Free

Documents:

[3D Model](#) [Product Specification PS-67840-001 \(PDF\)](#)
[Drawing \(PDF\)](#) [RoHS Certificate of Compliance \(PDF\)](#)

General

Product Family	Memory Card Sockets
Series	67840
Button Type	Push-Push
Component Type	Header & Ejector (Host)
Product Name	SDIO
Type	N/A

Physical

Card Detection Switch	Open
Circuits (Loaded)	9
Durability (mating cycles max)	10,000
Ejector Button Side	No Ejector Button Present
Entry Angle	90° Angle (Side Entry)
Keying to Mating Part	Yes
Material - Metal	Piano wire, Stainless Steel
Material - Plating Mating	Gold
Material - Plating Termination	Gold, Tin
PCB Locator	Yes
PCB Mounting Side	Normal
PCB Retention	Yes
Packaging Type	Embossed Tape on Reel
Pitch - Mating Interface (in)	0.098 In
Pitch - Mating Interface (mm)	2.50 mm
Plating min: Mating (µin)	8
Plating min: Mating (µm)	0.2
Plating min: Termination (µin)	120, 2, 40
Plating min: Termination (µm)	0.05, 1, 3
Ports	1
Temperature Range - Operating	-40°C to +85°C
Termination Interface: Style	Surface Mount

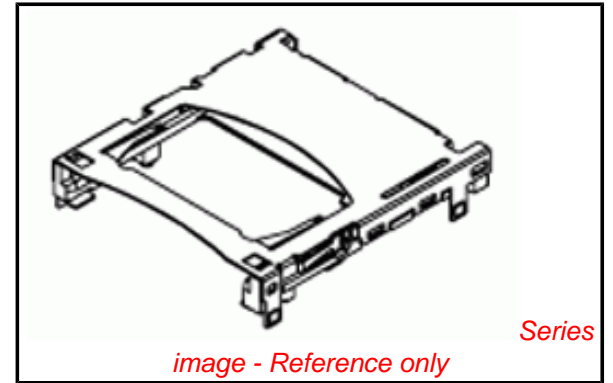
Electrical

Current - Maximum per Contact	0.5A
Shielded	Yes
Voltage - Maximum	100V

Material Info

Reference - Drawing Numbers

Packaging Specification	PK-67840-001
Product Specification	PS-67840-001
Sales Drawing	SD-67840-007



EU RoHS

**ELV and RoHS
Compliant**
REACH SVHC
 Not Reviewed
**Halogen-Free
Status**
Halogen-Free

China RoHS



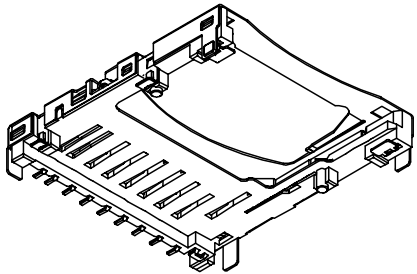
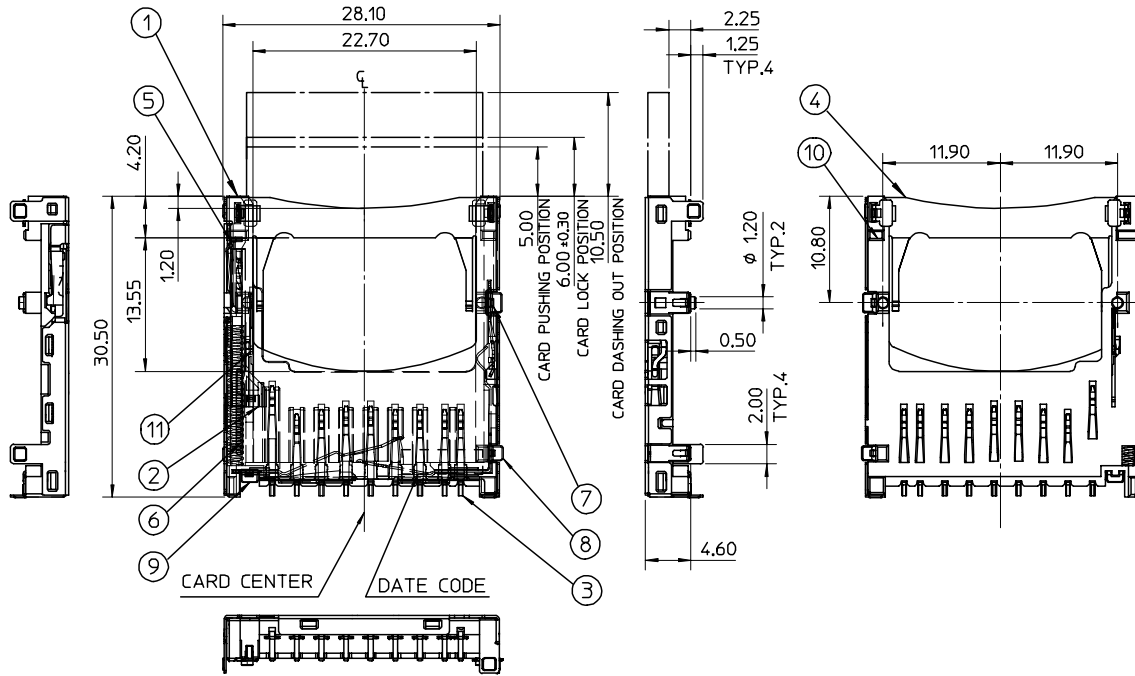
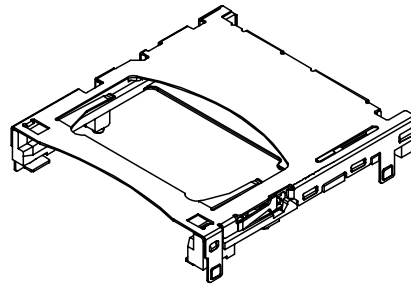
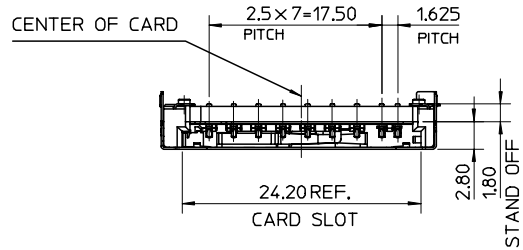
**Need more information on product
environmental compliance?**

Email productcompliance@molex.com
 For a multiple part number RoHS Certificate of Compliance, [click here](#)

Please visit the [Contact Us](#) section for any non-product compliance questions.

Search Parts in this Series
67840Series

Use With
SDIO



- NOTES:
- 1.TERMINAL AND NAIL COPLANARITY TO BE 0.1 MAX.
 - 2.WHEN DELIVERING, THE PUSH/PUSH MECHANISM IS IN THE STATE OF THE UNLOCK.(CARD DASHING OUT POSITION)
 - 3.CARD READ ONLY BY THE TIME THE CARD DETECTION SWITCH WORKS.
 - 4.OPENING AND CLOSE OF EACH SWITCH.

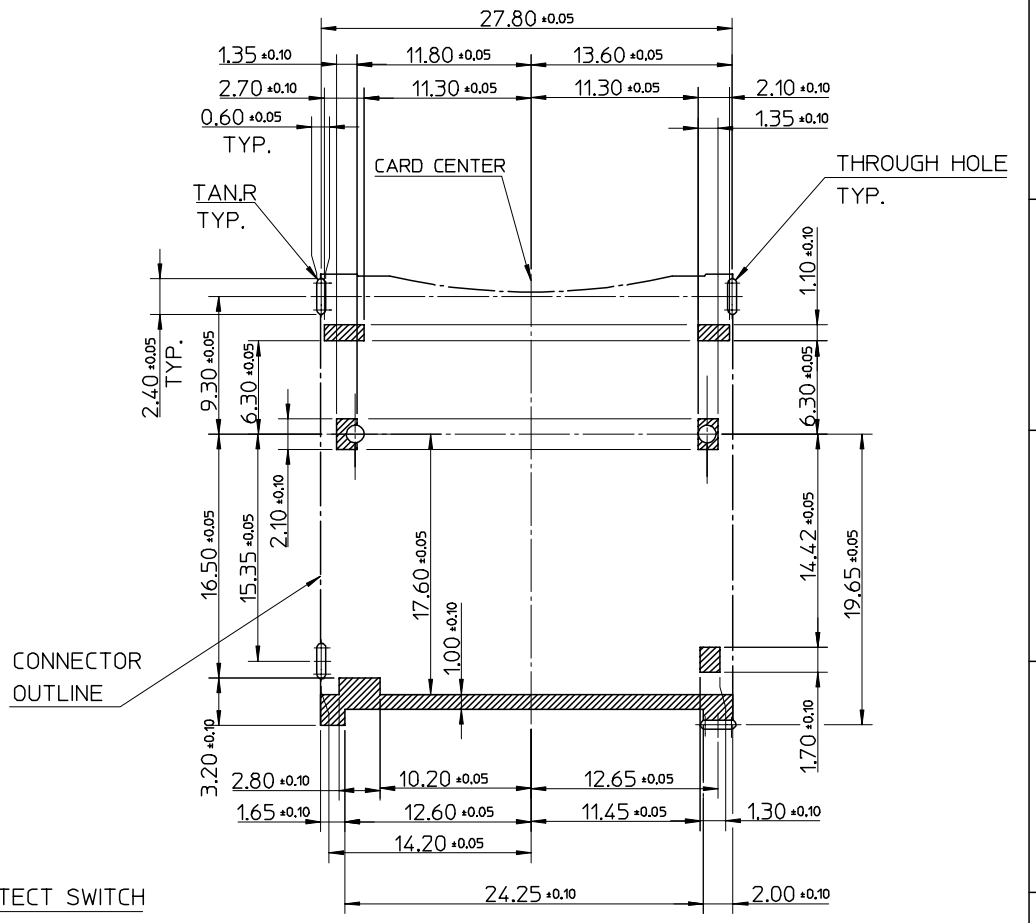
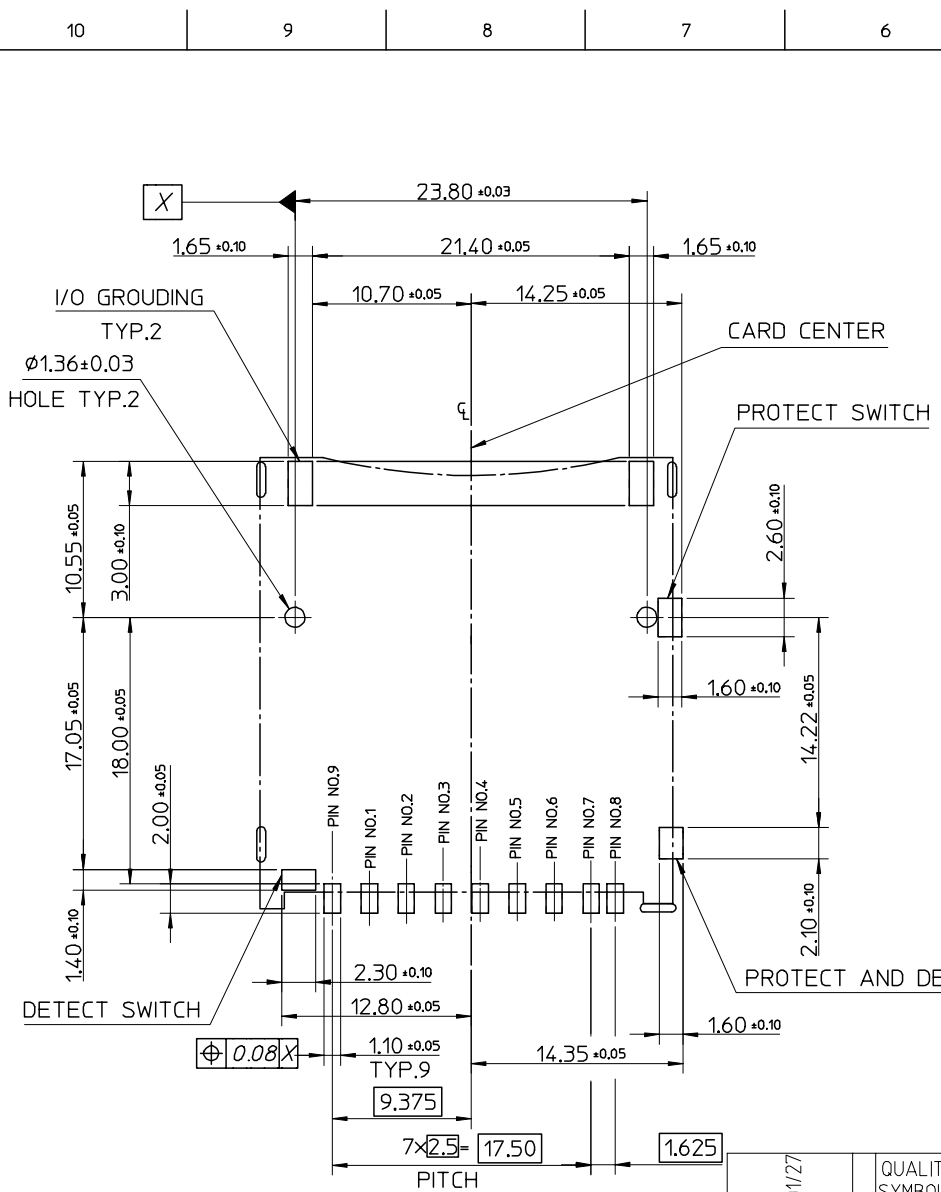
CARD INSERTION STATUS	WRITE PROTECT SWITCH		DETECT SWITCH
	WRITE PROTECT POSITION	WRITE ENABLE POSITION	
CARD UNINSERTION	OPEN	OPEN	OPEN
CARD HALF INSERTION	CLOSE	CLOSE	OPEN
CARD INSERTION	OPEN	CLOSE	CLOSE

5.MATERIAL AND FINISH AS BELOW

NO	NAME	QT'Y	MATERIAL
1	HOUSING	1	LCP,UL 94V-0,COLOR:BLACK
2	HEART CAM	1	LCP,UL 94V-0,COLOR:BLACK
3	TERMINAL	9	COPPER ALLOY,SELECTIVE Au PLATING
4	METAL SHELL	1	STAINLESS STEEL
5	PIN	1	STAINLESS STEEL
6	SPRING	1	STEEL WIRE
7	PROTECT TERMINAL	1	COPPER ALLOY, SELECTIVE Au PLATING
8	PROTECT AND DETECT TERMINAL	1	COPPER ALLOY, SELECTIVE Au PLATING
9	DETECT TERMINAL	1	COPPER ALLOY, SELECTIVE Au PLATING
10	NAIL	2	COPPER ALLOY, PURE TIN PLATING
11	CARD LOCK	1	STAINLESS STEEL

6. PRODUCT SPECIFICATION : PER PS-67840-001
7. I/O CONTACTS, BASE ON SD I/O ASSOC. REV. G.
8. THIS HAS A LOCK MECHANISM FOR SD CARD,IT DOES NOT WORK FOR THE MMC. CARD AT LOCK POSITION, IF PULLED OUT MANUALLY. THE NEXT CARD INSERTED WILL BE EJECTED.
9. RECOMMENED P.CBOARD THICKNESS: 0.8±0.1
10. PACKAGING REFERS TO PK-67840-001

NEW RELEASE EC NO: DRWN:QLZHANG 2005/01/27 CHKD:HARVEY APPR: A	QUALITY SYMBOLS ▼ - 0 □ - 0 S - 0	GENERAL TOLERANCES (UNLESS SPECIFIED)	SCALE 2:1	DESIGN UNITS METRIC	THIRD ANGLE PROJECTION	REVISE ON CAD ONLY	
		4 PLACES ± --- ± --- 3 PLACES ± --- ± --- 2 PLACES ± 0.25 ± --- 1 PLACE ± 0.25 ± --- ANGULAR ± 3 °	DIMENSION STYLE MM ONLY	TITLE	SD MEMORY CARD CONN. ASS'Y(TOP MOUNT TYPE 1.8 MM STAND OFF, LEAD-FREE)		
		DRAFT WHERE APPLICABLE	DRAWN BY QLZHANG	DATE 2004/12/06	MOLEX INCORPORATED		
		MUST REMAIN WITHIN DIMENSIONS	CHECKED BY	DATE	MATERIAL NO. 67840-8001	DOCUMENT NO. SD-67840-007	SHEET NO. 1 OF 3
THIS DRAWING CONTAINS INFORMATION THAT IS PROPRIETARY TO MOLEX INCORPORATED AND SHOULD NOT BE USED WITHOUT WRITTEN PERMISSION						A3	



RECOMMENDED PCB PATTERN LAYOUT

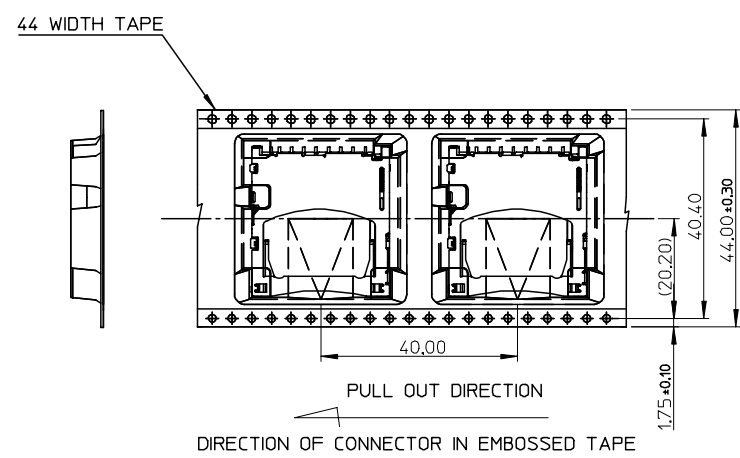
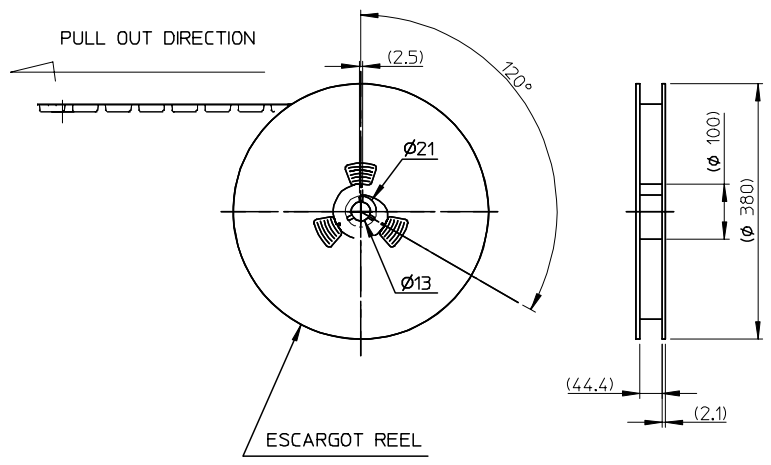
NEW RELEASE
 EC NO:
 DRAWN: QLZHANG 2005/01/27
 CHKD: HARVEY
 APPR:

REV	DESCRIPTION
A	

QUALITY SYMBOLS	▲ = 0
	▽ = 0
	∇ = 0
	∠ = 0
	∠ = 0
GENERAL TOLERANCES (UNLESS SPECIFIED)	
	mm INCH
4 PLACES	± --- ± ---
3 PLACES	± --- ± ---
2 PLACES	± 0.25 ± ---
1 PLACE	± 0.25 ± ---
ANGULAR ± 3 °	
DRAFT WHERE APPLICABLE	
MUST REMAIN WITHIN DIMENSIONS	

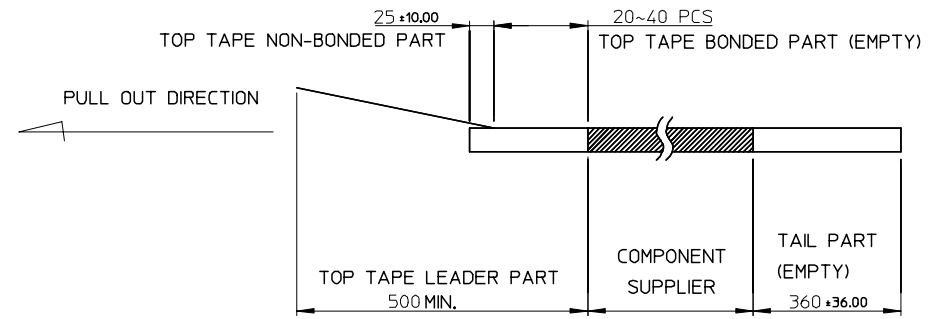
SCALE	DESIGN UNITS
3:1	METRIC
DIMENSION STYLE	
MM ONLY	
DRAWN BY	DATE
QLZHANG	2004/12/06
CHECKED BY	DATE
APPROVED BY	DATE

THIRD ANGLE PROJECTION	REVISE ON CAD ONLY
TITLE	
SD MEMORY CARD CONN. ASS'Y(TOP MOUNT TYPE 1.8 MM STAND OFF, LEAD-FREE)	
MOLEX INCORPORATED	
MATERIAL NO.	DOCUMENT NO.
67840-8001	SD-67840-007
SHEET NO.	2 OF 3
THIS DRAWING CONTAINS INFORMATION THAT IS PROPRIETARY TO MOLEX INCORPORATED AND SHOULD NOT BE USED WITHOUT WRITTEN PERMISSION	

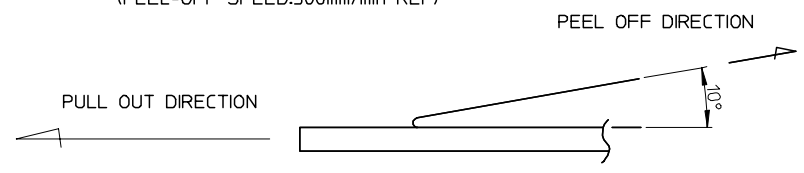


NOTES:

1. NUMBER OF CONNECTORS: 250 PCS/REEL
- 2.



3. PEEL-OFF FORCE OF TOP TAPE: 0.1~1.3N (10.2~130gf)
(PEELING DIRECTION AS SHOWN IN FOLLOWING FIGURE.)
(PEEL-OFF SPEED:300mm/min REF)



NEW RELEASE EC NO: DRAWN:QLZHANG 2005/01/27 CHKD:HARVEY APPR:	QUALITY SYMBOLS	GENERAL TOLERANCES (UNLESS SPECIFIED)	SCALE 1:1	DESIGN UNITS METRIC	THIRD ANGLE PROJECTION	REVISE ON CAD ONLY
	▼ = 0	mm INCH	DIMENSION STYLE MM ONLY		TITLE	
	▽ = 0	4 PLACES ± --- ± ---	DRAWN BY DATE		SD MEMORY CARD CONN. ASS'Y(TOP MOUNT TYPE 1.8 MM STAND OFF, LEAD-FREE)	
	∇ = 0	3 PLACES ± --- ± ---	QLZHANG 2004/12/06		MOLEX INCORPORATED	
		2 PLACES ± 0.25 ± ---	CHECKED BY DATE		MATERIAL NO.	DOCUMENT NO.
		1 PLACE ± 0.25 ± ---	APPROVED BY DATE		67840-8001	SD-67840-007
		ANGULAR ± 3 °	DRAFT WHERE APPLICABLE		SHEET NO.	3 OF 3
			MUST REMAIN WITHIN DIMENSIONS		THIS DRAWING CONTAINS INFORMATION THAT IS PROPRIETARY TO MOLEX INCORPORATED AND SHOULD NOT BE USED WITHOUT WRITTEN PERMISSION	



Компания «ЭлектроПласт» предлагает заключение долгосрочных отношений при поставках импортных электронных компонентов на взаимовыгодных условиях!

Наши преимущества:

- Оперативные поставки широкого спектра электронных компонентов отечественного и импортного производства напрямую от производителей и с крупнейших мировых складов;
- Поставка более 17-ти миллионов наименований электронных компонентов;
- Поставка сложных, дефицитных, либо снятых с производства позиций;
- Оперативные сроки поставки под заказ (от 5 рабочих дней);
- Экспресс доставка в любую точку России;
- Техническая поддержка проекта, помощь в подборе аналогов, поставка прототипов;
- Система менеджмента качества сертифицирована по Международному стандарту ISO 9001;
- Лицензия ФСБ на осуществление работ с использованием сведений, составляющих государственную тайну;
- Поставка специализированных компонентов (Xilinx, Altera, Analog Devices, Intersil, Interpoint, Microsemi, Aeroflex, Peregrine, Syfer, Eurofarad, Texas Instrument, Miteq, Cobham, E2V, MA-COM, Hittite, Mini-Circuits, General Dynamics и др.);

Помимо этого, одним из направлений компании «ЭлектроПласт» является направление «Источники питания». Мы предлагаем Вам помощь Конструкторского отдела:

- Подбор оптимального решения, техническое обоснование при выборе компонента;
- Подбор аналогов;
- Консультации по применению компонента;
- Поставка образцов и прототипов;
- Техническая поддержка проекта;
- Защита от снятия компонента с производства.



Как с нами связаться

Телефон: 8 (812) 309 58 32 (многоканальный)

Факс: 8 (812) 320-02-42

Электронная почта: org@eplast1.ru

Адрес: 198099, г. Санкт-Петербург, ул. Калинина, дом 2, корпус 4, литера А.