

# PulseJack™

## 1X4 Tab-Up PoE and PoE+

### Description:

100/1000 Base-T 1x4 Tab-Up Low Profile Integrated Connector Module (ICM), with or without LEDs - Designed to support Router applications.



### Features and Benefits:

- Ⓢ RoHS peak wave solder temperature rating 260°C
- Ⓢ Suitable for CAT 5 & 6 Fast Ethernet Cable or better UTP
- Ⓢ Meets IEEE 802.3 specification
- Ⓢ 350µH minimum OCL with 8mA bias current
- Ⓢ High performance for maximum EMI suppression

### Electrical Specifications @ 25°C - Operating Temperature 0°C to +70°C

RoHS Compliant Part Number	Speed	PoE/PoE+	LEDs L/R	Insertion Loss TX/RX (dB TYP) 1-100 MHz	Return Loss (dB TYP) 100Ω (±15Ω)			Crosstalk (dB TYP)			Common Mode Rejection (dB TYP) 1-125 MHz	Hipot (Vrms MIN) @ 60Hz 1 MIN
					1-10 MHz	30 MHz	60-80 MHz	1-10 MHz	30-60 MHz	60-100 MHz		
J1N-0003NL	1000Base-T	PoE+	G/G	-1.0	-20	-18	-14	-45	-40	-35	-35	1500
J1N-0004NL	1000Base-T	PoE+	None	-1.0	-20	-18	-14	-45	-40	-35	-35	1500
J1N-0005NL	1000Base-T	None	G-0/G	-1.0	-20	-18	-14	-45	-40	-35	-35	1500
J1N-0006NL	1000Base-T	None	None	-1.0	-20	-18	-14	-45	-40	-35	-35	1500
J1N-0007NL	1000Base-T	PoE	None	-1.0	-20	-18	-14	-45	-40	-35	-35	1500
J1N-0008NL	1000Base-T	PoE	G/G	-1.0	-20	-18	-14	-45	-40	-35	-35	1500
J1N-0011NL	100Base-TX	PoE	None	-1.0	-20	-18	-14	-45	-40	-35	-35	1500
J1N-0012NL	100Base-TX	None	None	-1.0	-20	-18	-14	-45	-40	-35	-35	1500
J1N-0013NL	100Base-TX	None	G/Y	-1.0	-20	-18	-14	-45	-40	-35	-35	1500

### Notes:

1. LEDs Left/Right: **G** = Green, **O** = Orange **Y** = Yellow

### RJ45 Durability Testing Rating

Part Number	Mating Force (MAX)	Ultimate Force (MAX)	Durability	Plug to Jack Retention (MIN)
J1N Series	5 lbs./2.268 kgs.	5 lbs./2.268 kgs.	750 Insertions	20 lbs./9.072 kgs.

### RJ45 Material Specification

Part Number	Shield		Contact			Housing		
	Material	Finish	Material	Plating Area	Solder Area	Material	Specification	MSL <sup>2</sup>
J1N Series	Brass	20-40µ inches thick Nickel over Brass	Phosphor Bronze	30µ inches gold over 30-80µ inches nickel	Tin matte finish	Thermoplastic	UL 94 V-0	1

### Notes:

1. Connector dimensions comply with FCC part 68 dimension requirements.

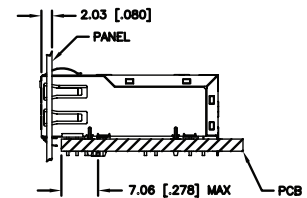
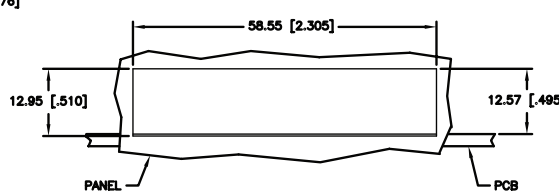
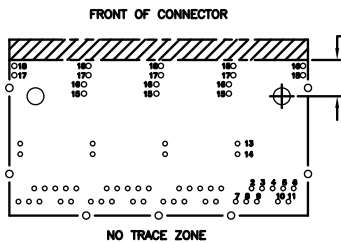
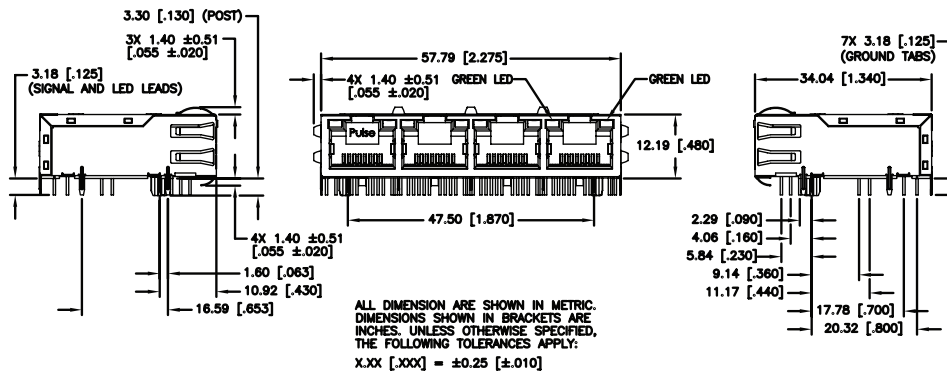
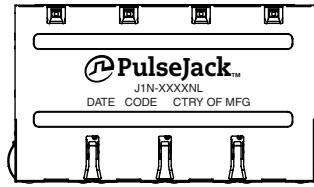
2. MSL = Moisture Sensitivity Level rating from 1 to 5 (highest rating = 1, lowest rating = 5).

# PulseJack™

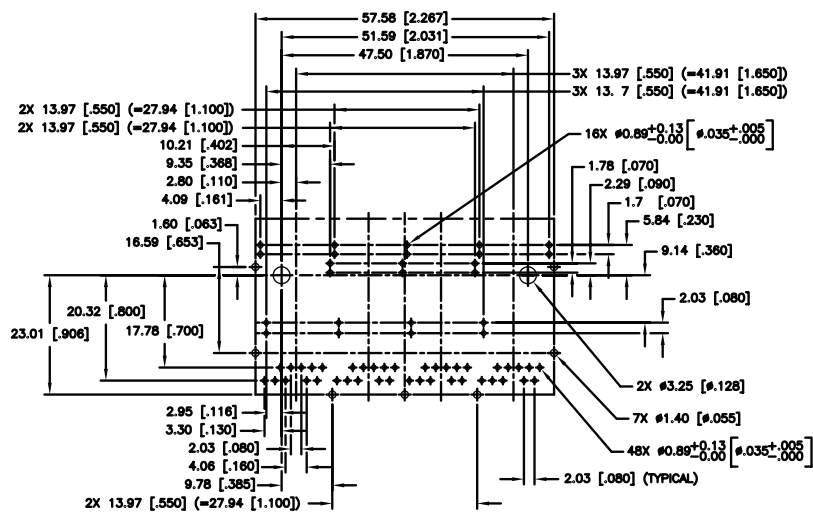
## 1X4 Tab-Up PoE and PoE+

### Mechanicals

J1N-0003NL, J1N-0008NL



SUGGESTED PANEL CUTOUT



ALL DIMENSIONS ARE SHOWN IN METRIC. DIMENSIONS SHOWN IN BRACKETS ARE INCHES. UNLESS OTHERWISE SPECIFIED, THE FOLLOWING TOLERANCES APPLY:  
 X.XX [.XXX] = ±0.08 [±.003]

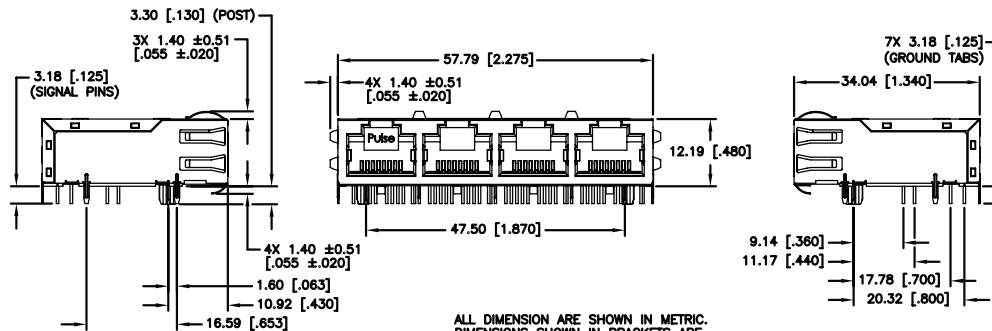
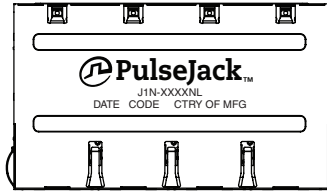
SUGGESTED FOOTPRINT (COMPONENT SIDE SHOWN)

# PulseJack™

## 1X4 Tab-Up PoE and PoE+

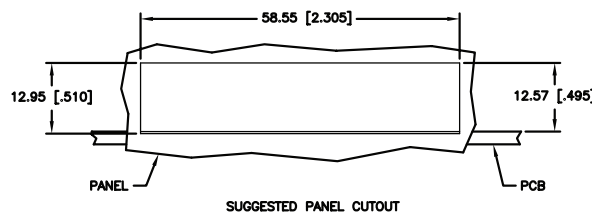
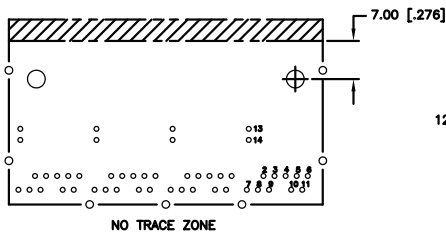
### Mechanicals *(continued)*

J1N-0004NL, J1N-0007NL

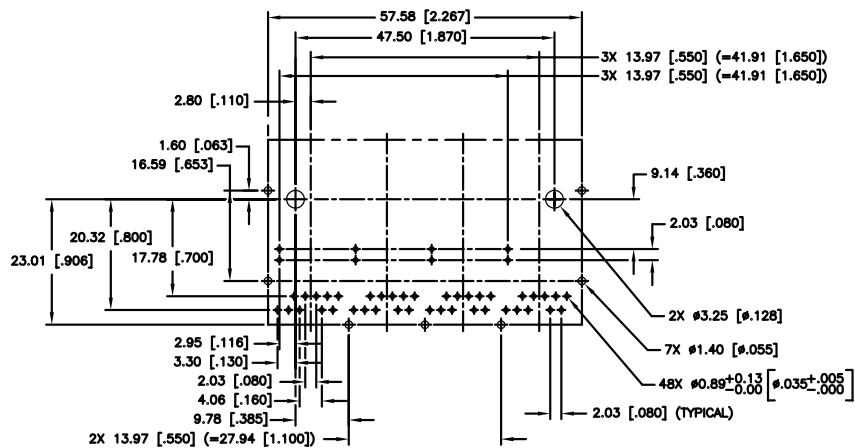
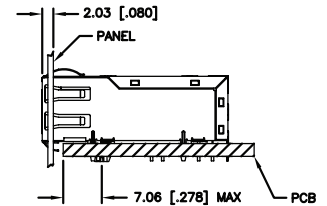


ALL DIMENSION ARE SHOWN IN METRIC.  
DIMENSIONS SHOWN IN BRACKETS ARE  
INCHES. UNLESS OTHERWISE SPECIFIED,  
THE FOLLOWING TOLERANCES APPLY:  
X.XX [0.0XX] = ±0.25 [±0.010]

FRONT OF CONNECTOR



SUGGESTED PANEL CUTOUT



ALL DIMENSION ARE SHOWN IN METRIC.  
DIMENSIONS SHOWN IN BRACKETS ARE  
INCHES. UNLESS OTHERWISE SPECIFIED,  
THE FOLLOWING TOLERANCES APPLY:  
X.XX [0.0XX] = ±0.08 [±0.003]

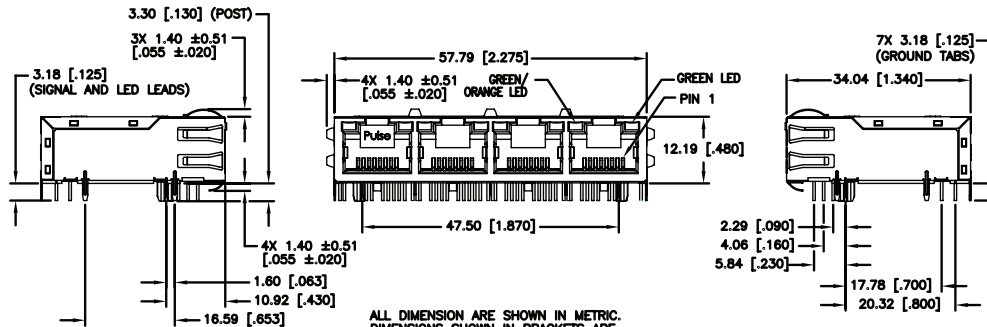
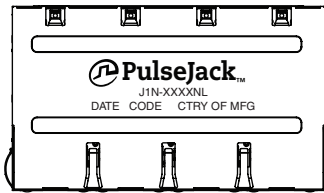
SUGGESTED FOOTPRINT (COMPONENT SIDE SHOWN)

# PulseJack™

## 1X4 Tab-Up PoE and PoE+

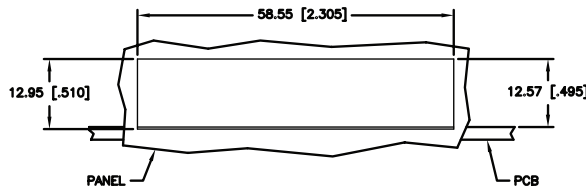
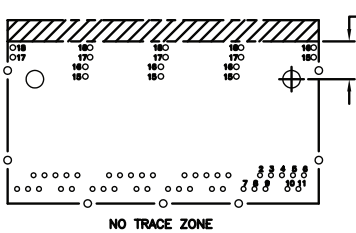
### Mechanicals (continued)

J1N-0005NL, J1N-0006NL

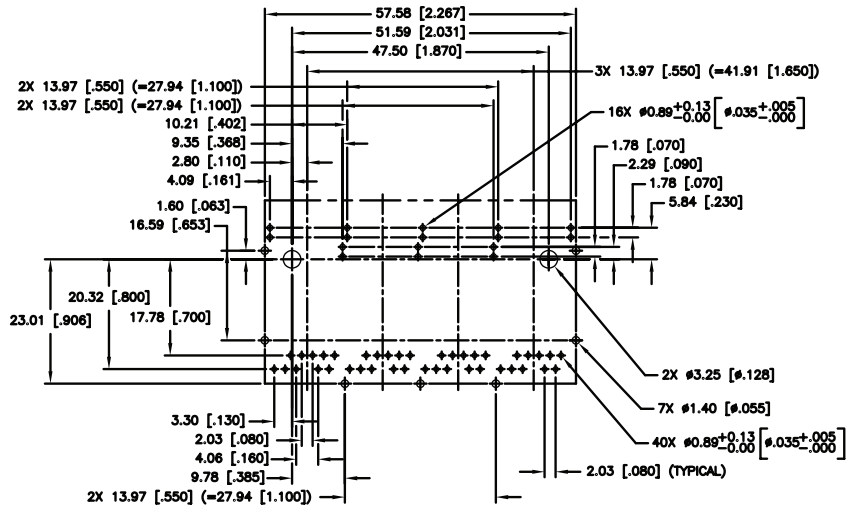
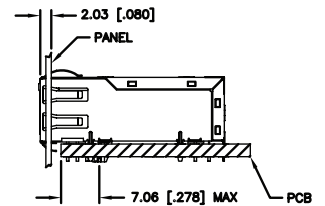


ALL DIMENSION ARE SHOWN IN METRIC. DIMENSIONS SHOWN IN BRACKETS ARE INCHES. UNLESS OTHERWISE SPECIFIED, THE FOLLOWING TOLERANCES APPLY:  
 X.XX [.XXX] = ±0.25 [±.010]

FRONT OF CONNECTOR



SUGGESTED PANEL CUTOUT



ALL DIMENSION ARE SHOWN IN METRIC. DIMENSIONS SHOWN IN BRACKETS ARE INCHES. UNLESS OTHERWISE SPECIFIED, THE FOLLOWING TOLERANCES APPLY:  
 X.XX [.XXX] = ±0.08 [±.003]

SUGGESTED FOOTPRINT (COMPONENT SIDE SHOWN)

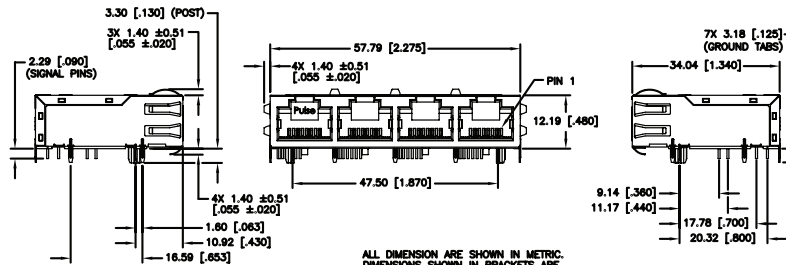
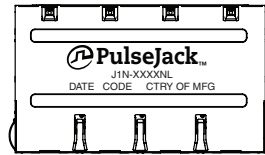
Note: No LED's pinout for J1N-0006NL

# PulseJack™

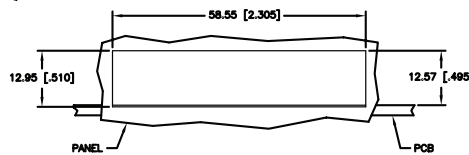
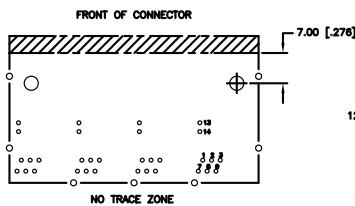
## 1X4 Tab-Up PoE and PoE+

### Mechanicals (continued)

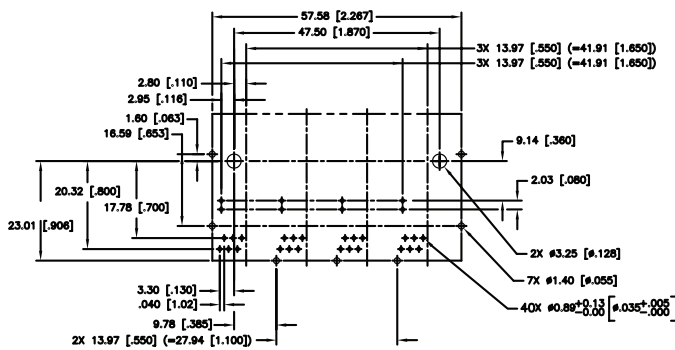
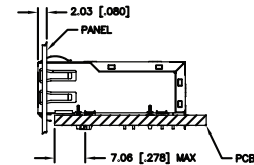
J1N-0011NL, J1N-0012NL, J1N-0013NL



ALL DIMENSION ARE SHOWN IN METRIC. DIMENSIONS SHOWN IN BRACKETS ARE INCHES. UNLESS OTHERWISE SPECIFIED, THE FOLLOWING TOLERANCES APPLY:  
X.XX [XXX] = ±0.25 [±0.010]

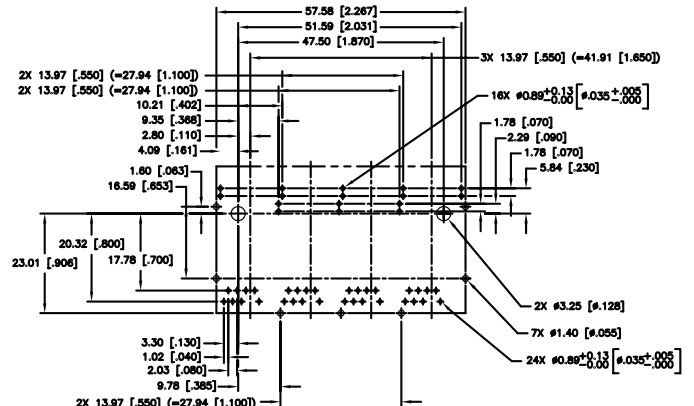


SUGGESTED PANEL CUTOUT



ALL DIMENSION ARE SHOWN IN METRIC. DIMENSIONS SHOWN IN BRACKETS ARE INCHES. UNLESS OTHERWISE SPECIFIED, THE FOLLOWING TOLERANCES APPLY:  
X.XX [XXX] = ±0.08 [±0.003]

SUGGESTED FOOTPRINT (COMPONENT SIDE SHOWN)



ALL DIMENSION ARE SHOWN IN METRIC. DIMENSIONS SHOWN IN BRACKETS ARE INCHES. UNLESS OTHERWISE SPECIFIED, THE FOLLOWING TOLERANCES APPLY:  
X.XX [XXX] = ±0.08 [±0.003]

Note: No PoE pinout for J1N-0012NL

SUGGESTED FOOTPRINT (J1N-0013NL SIDE SHOW)

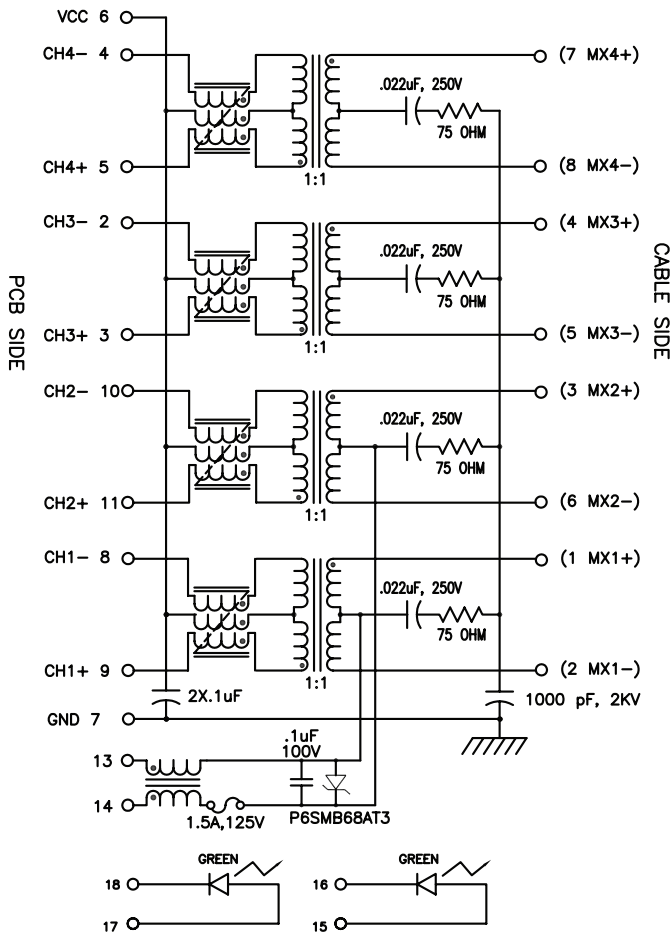
# PulseJack™

## 1X4 Tab-Up PoE and PoE+

### Schematics

J1N-0003NL, J1N-0004NL, J1N-0007NL, J1N-0008NL

J1N-0005NL, J1N-0006NL,

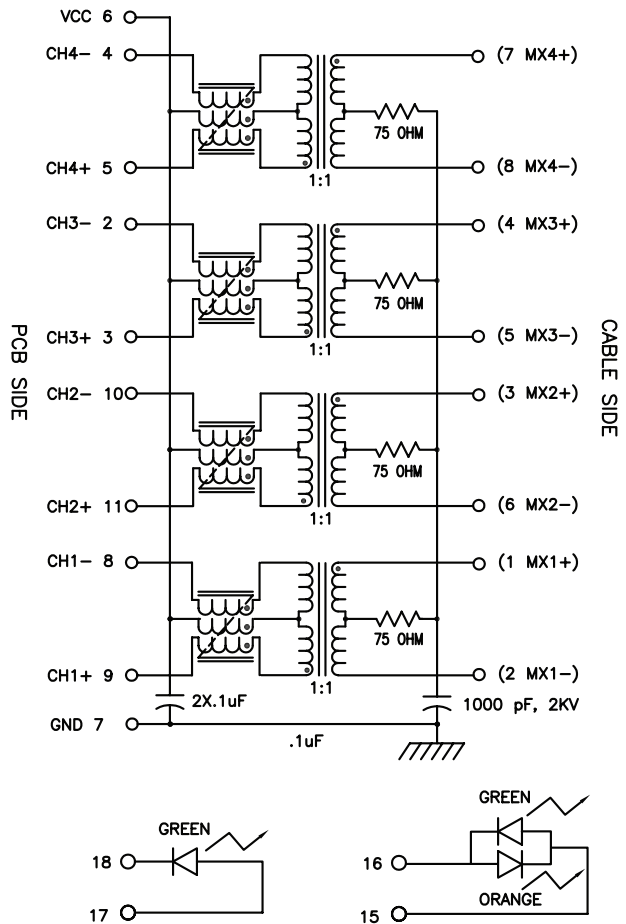


SCHEMATIC (EACH PORT)

EMMITTED COLOR	GREEN
WAVELENGTH (nm)	565
POWER DISSIPATION (Pd)	105 mW MAX
AVERAGEDDC FORWARD CURRENT	25 mA
FORWARD VOLTAGE (VF) @20mA	2.2 V TYP

NOTE: PER VENDOR'S SPECIFICATION

LED SPECIFICATIONS FOR J1N-0003NL AND J1N-0008NL



SCHEMATIC (EACH PORT)

EMMITTED COLOR	GREEN	ORANGE	GREEN
WAVELENGTH (nm)	565	607	565
POWER DISSIPATION (Pd)	105 mW MAX	105 mW MAX	100 mW MAX
AVERAGEDDC FORWARD CURRENT	25 mA	30 mA	30 mA
FORWARD VOLTAGE (VF) @20mA	2.2 V TYP	2.0 V TYP	2.2 V TYP

NOTE: PER VENDOR'S SPECIFICATION

LED SPECIFICATIONS FOR J1N-0005NL

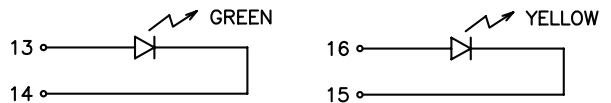
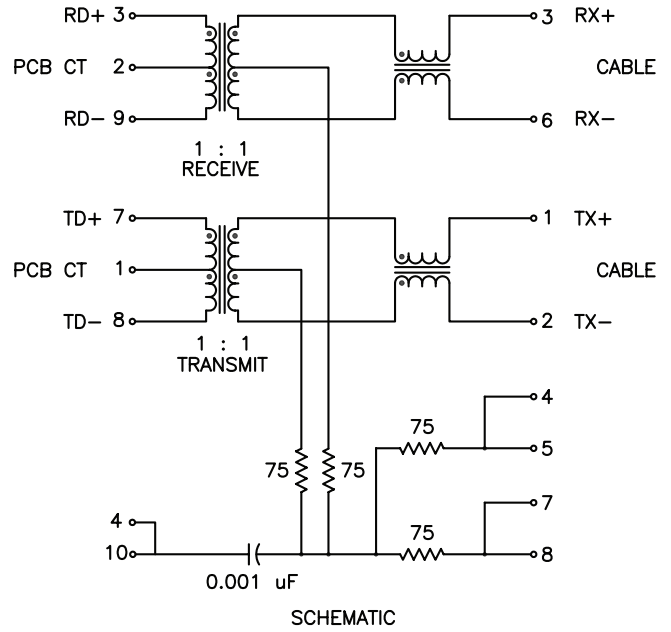
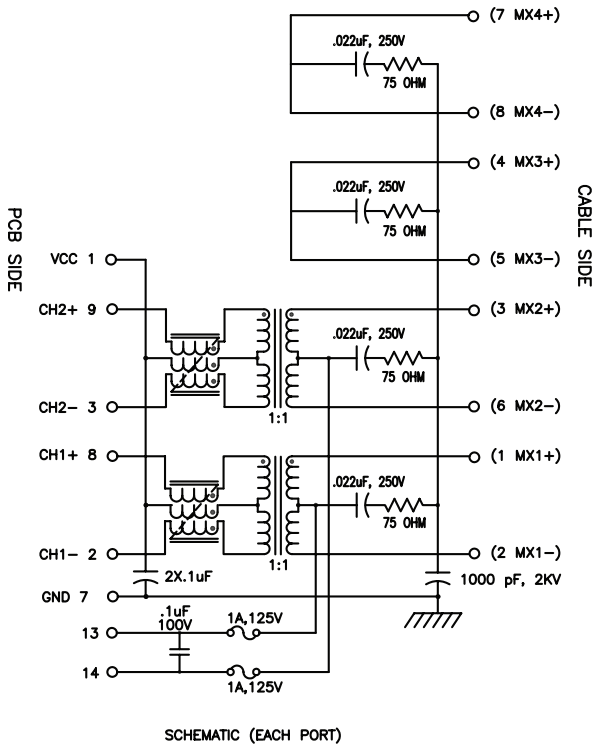
# PulseJack™

## 1X4 Tab-Up PoE and PoE+

### Schematics (continued)

J1N-0011NL, J1N-0012NL

J1N-0013NL



EMMITTED COLOR	GREEN	YELLOW
WAVELENGTH (nm)	565	565
POWER DISSIPATION (Pd)	105 mW MAX	105 mW MAX
AVERAGED DC FORWARD CURRENT	25 mA	25 mA
FORWARD VOLTAGE (VF) @20mA	2.2 V TYP	2.2 V TYP

NOTE: PER VENDOR'S SPECIFICATION

LED SPECIFICATIONS FOR J1N-0013NL

### For More Information:

Americas - [prodinfo@networkamericas@pulseelectronics.com](mailto:prodinfo@networkamericas@pulseelectronics.com) | Europe - [comms@apps-europe@pulseelectronics.com](mailto:comms@apps-europe@pulseelectronics.com) | Asia - [prodinfo@networkapac@pulseelectronics.com](mailto:prodinfo@networkapac@pulseelectronics.com)

Performance warranty of products offered on this data sheet is limited to the parameters specified. Data is subject to change without notice. Other brand and product names mentioned herein may be trademarks or registered trademarks of their respective owners. © Copyright, 2019. Pulse Electronics, Inc. All rights reserved.



Компания «ЭлектроПласт» предлагает заключение долгосрочных отношений при поставках импортных электронных компонентов на взаимовыгодных условиях!

Наши преимущества:

- Оперативные поставки широкого спектра электронных компонентов отечественного и импортного производства напрямую от производителей и с крупнейших мировых складов;
- Поставка более 17-ти миллионов наименований электронных компонентов;
- Поставка сложных, дефицитных, либо снятых с производства позиций;
- Оперативные сроки поставки под заказ (от 5 рабочих дней);
- Экспресс доставка в любую точку России;
- Техническая поддержка проекта, помощь в подборе аналогов, поставка прототипов;
- Система менеджмента качества сертифицирована по Международному стандарту ISO 9001;
- Лицензия ФСБ на осуществление работ с использованием сведений, составляющих государственную тайну;
- Поставка специализированных компонентов (Xilinx, Altera, Analog Devices, Intersil, Interpoint, Microsemi, Aeroflex, Peregrine, Syfer, Eurofarad, Texas Instrument, Miteq, Cobham, E2V, MA-COM, Hittite, Mini-Circuits, General Dynamics и др.);

Помимо этого, одним из направлений компании «ЭлектроПласт» является направление «Источники питания». Мы предлагаем Вам помощь Конструкторского отдела:

- Подбор оптимального решения, техническое обоснование при выборе компонента;
- Подбор аналогов;
- Консультации по применению компонента;
- Поставка образцов и прототипов;
- Техническая поддержка проекта;
- Защита от снятия компонента с производства.



#### Как с нами связаться

**Телефон:** 8 (812) 309 58 32 (многоканальный)

**Факс:** 8 (812) 320-02-42

**Электронная почта:** [org@eplast1.ru](mailto:org@eplast1.ru)

**Адрес:** 198099, г. Санкт-Петербург, ул. Калинина, дом 2, корпус 4, литера А.