

# MC34063A, MC33063A, SC34063A, SC33063A, NCV33063A



ON Semiconductor®

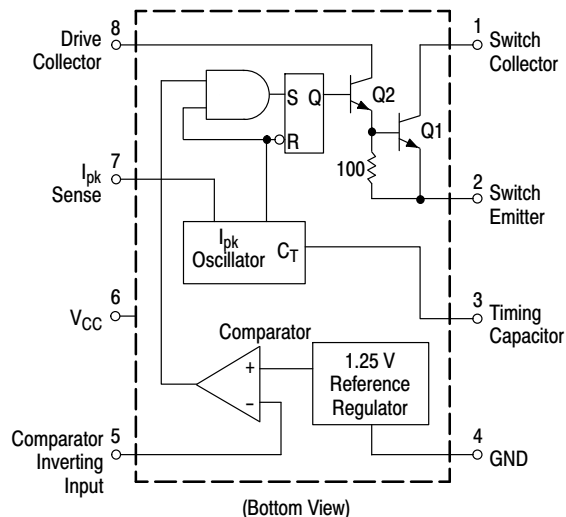
<http://onsemi.com>

## 1.5 A, Step-Up/Down/ Inverting Switching Regulators

The MC34063A Series is a monolithic control circuit containing the primary functions required for DC-to-DC converters. These devices consist of an internal temperature compensated reference, comparator, controlled duty cycle oscillator with an active current limit circuit, driver and high current output switch. This series was specifically designed to be incorporated in Step-Down and Step-Up and Voltage-Inverting applications with a minimum number of external components. Refer to Application Notes AN920A/D and AN954/D for additional design information.

### Features

- Operation from 3.0 V to 40 V Input
- Low Standby Current
- Current Limiting
- Output Switch Current to 1.5 A
- Output Voltage Adjustable
- Frequency Operation to 100 kHz
- Precision 2% Reference
- Pb-Free Packages are Available



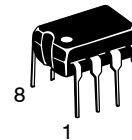
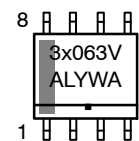
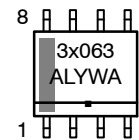
This device contains 79 active transistors.

Figure 1. Representative Schematic Diagram

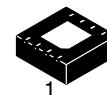
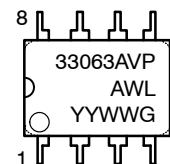
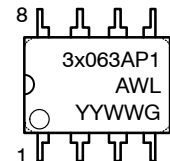
### MARKING DIAGRAMS



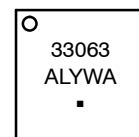
SOIC-8  
D SUFFIX  
CASE 751



PDIP-8  
P, P1 SUFFIX  
CASE 626



DFN8  
CASE 488AF



- x = 3 or 4
- A = Assembly Location
- L, WL = Wafer Lot
- Y, YY = Year
- W, WW = Work Week
- G or ■ = Pb-Free Package

### ORDERING INFORMATION

See detailed ordering and shipping information in the package dimensions section on page 12 of this data sheet.

# MC34063A, MC33063A, SC34063A, SC33063A, NCV33063A

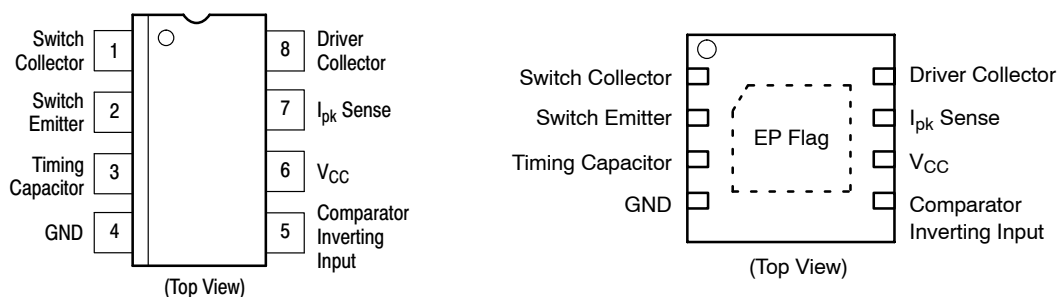


Figure 2. Pin Connections

## MAXIMUM RATINGS

| Rating  | Symbol                  | Value       | Unit               |
|---|-------------------------|-------------|--------------------|
| Power Supply Voltage  | $V_{CC}$                | 40          | Vdc                |
| Comparator Input Voltage Range                                | $V_{IR}$                | -0.3 to +40 | Vdc                |
| Switch Collector Voltage                                      | $V_{C(\text{switch})}$  | 40          | Vdc                |
| Switch Emitter Voltage ( $V_{\text{Pin } 1} = 40 \text{ V}$ ) | $V_{E(\text{switch})}$  | 40          | Vdc                |
| Switch Collector to Emitter Voltage                           | $V_{CE(\text{switch})}$ | 40          | Vdc                |
| Driver Collector Voltage                                      | $V_{C(\text{driver})}$  | 40          | Vdc                |
| Driver Collector Current (Note 1)                             | $I_{C(\text{driver})}$  | 100         | mA                 |
| Switch Current  | $I_{SW}$                | 1.5         | A                  |
| Power Dissipation and Thermal Characteristics                 |                         |             |                    |
| Plastic Package, P, P1 Suffix                                 |                         |             |                    |
| $T_A = 25^\circ\text{C}$                                      | $P_D$                   | 1.25        | W                  |
| Thermal Resistance  | $R_{\theta JA}$         | 115         | $^\circ\text{C/W}$ |
| SOIC Package, D Suffix  |                         |             |                    |
| $T_A = 25^\circ\text{C}$                                      | $P_D$                   | 625         | mW                 |
| Thermal Resistance  | $R_{\theta JA}$         | 160         | $^\circ\text{C/W}$ |
| DFN Package   |                         |             |                    |
| $T_A = 25^\circ\text{C}$                                      | $P_D$                   | 1.25        | mW                 |
| Thermal Resistance  | $R_{\theta JA}$         | 80          | $^\circ\text{C/W}$ |
| Operating Junction Temperature                                | $T_J$                   | +150        | $^\circ\text{C}$   |
| Operating Ambient Temperature Range                           | $T_A$                   |             | $^\circ\text{C}$   |
| MC34063A, SC34063A  |                         | 0 to +70    |                    |
| MC33063AV, NCV33063A  |                         | -40 to +125 |                    |
| MC33063A, SC33063A  |                         | -40 to +85  |                    |
| Storage Temperature Range                                     | $T_{\text{stg}}$        | -65 to +150 | $^\circ\text{C}$   |

Stresses exceeding Maximum Ratings may damage the device. Maximum Ratings are stress ratings only. Functional operation above the Recommended Operating Conditions is not implied. Extended exposure to stresses above the Recommended Operating Conditions may affect device reliability.

1. Maximum package power dissipation limits must be observed.
2. This device series contains ESD protection and exceeds the following tests: Human Body Model 4000 V per MIL-STD-883, Method 3015. Machine Model Method 400 V.
3. NCV prefix is for automotive and other applications requiring site and change control.

# MC34063A, MC33063A, SC34063A, SC33063A, NCV33063A

## ELECTRICAL CHARACTERISTICS ( $V_{CC} = 5.0\text{ V}$ , $T_A = T_{low}$ to $T_{high}$ [Note 4], unless otherwise specified.)

| Characteristics | Symbol | Min | Typ | Max | Unit |
|-----------------|--------|-----|-----|-----|------|
|-----------------|--------|-----|-----|-----|------|

### OSCILLATOR

|  |                      |     |     |     |               |
|--|----------------------|-----|-----|-----|---------------|
| Frequency ( $V_{Pin5} = 0\text{ V}$ , $C_T = 1.0\text{ nF}$ , $T_A = 25^\circ\text{C}$ ) | $f_{osc}$            | 24  | 33  | 42  | kHz           |
| Charge Current ( $V_{CC} = 5.0\text{ V to } 40\text{ V}$ , $T_A = 25^\circ\text{C}$ )    | $I_{chg}$            | 24  | 35  | 42  | $\mu\text{A}$ |
| Discharge Current ( $V_{CC} = 5.0\text{ V to } 40\text{ V}$ , $T_A = 25^\circ\text{C}$ ) | $I_{dischg}$         | 140 | 220 | 260 | $\mu\text{A}$ |
| Discharge to Charge Current Ratio (Pin 7 to $V_{CC}$ , $T_A = 25^\circ\text{C}$ )        | $I_{dischg}/I_{chg}$ | 5.2 | 6.5 | 7.5 | –             |
| Current Limit Sense Voltage ( $I_{chg} = I_{dischg}$ , $T_A = 25^\circ\text{C}$ )        | $V_{ipk(sense)}$     | 250 | 300 | 350 | mV            |

### OUTPUT SWITCH (Note 5)

|   |               |    |      |     |               |
|---|---------------|----|------|-----|---------------|
| Saturation Voltage, Darlington Connection ( $I_{SW} = 1.0\text{ A}$ , Pins 1, 8 connected)                                | $V_{CE(sat)}$ | –  | 1.0  | 1.3 | V             |
| Saturation Voltage (Note 6) ( $I_{SW} = 1.0\text{ A}$ , $R_{Pin8} = 82\ \Omega$ to $V_{CC}$ , Forced $\beta \approx 20$ ) | $V_{CE(sat)}$ | –  | 0.45 | 0.7 | V             |
| DC Current Gain ( $I_{SW} = 1.0\text{ A}$ , $V_{CE} = 5.0\text{ V}$ , $T_A = 25^\circ\text{C}$ )                          | $h_{FE}$      | 50 | 75   | –   | –             |
| Collector Off-State Current ( $V_{CE} = 40\text{ V}$ )  | $I_{C(off)}$  | –  | 0.01 | 100 | $\mu\text{A}$ |

### COMPARATOR

|   |              |               |            |               |    |
|---|--------------|---------------|------------|---------------|----|
| Threshold Voltage<br>$T_A = 25^\circ\text{C}$<br>$T_A = T_{low}$ to $T_{high}$  | $V_{th}$     | 1.225<br>1.21 | 1.25<br>–  | 1.275<br>1.29 | V  |
| Threshold Voltage Line Regulation ( $V_{CC} = 3.0\text{ V to } 40\text{ V}$ )<br>MC33063, MC34063<br>MC33063V, NCV33063 | $Reg_{line}$ | –<br>–        | 1.4<br>1.4 | 5.0<br>6.0    | mV |
| Input Bias Current ( $V_{in} = 0\text{ V}$ )  | $I_{IB}$     | –             | –20        | –400          | nA |

### TOTAL DEVICE

|   |          |   |   |     |    |
|---|----------|---|---|-----|----|
| Supply Current ( $V_{CC} = 5.0\text{ V to } 40\text{ V}$ , $C_T = 1.0\text{ nF}$ , Pin 7 = $V_{CC}$ , $V_{Pin5} > V_{th}$ , Pin 2 = GND, remaining pins open) | $I_{CC}$ | – | – | 4.0 | mA |
|---|----------|---|---|-----|----|

- $T_{low} = 0^\circ\text{C}$  for MC34063, SC34063;  $-40^\circ\text{C}$  for MC33063, SC33063, MC33063V, NCV33063  
 $T_{high} = +70^\circ\text{C}$  for MC34063, SC34063;  $+85^\circ\text{C}$  for MC33063, SC33063;  $+125^\circ\text{C}$  for MC33063V, NCV33063
- Low duty cycle pulse techniques are used during test to maintain junction temperature as close to ambient temperature as possible.
- If the output switch is driven into hard saturation (non-Darlington configuration) at low switch currents ( $\leq 300\text{ mA}$ ) and high driver currents ( $\geq 30\text{ mA}$ ), it may take up to  $2.0\ \mu\text{s}$  for it to come out of saturation. This condition will shorten the off time at frequencies  $\geq 30\text{ kHz}$ , and is magnified at high temperatures. This condition does not occur with a Darlington configuration, since the output switch cannot saturate. If a non-Darlington configuration is used, the following output drive condition is recommended:  
Forced  $\beta$  of output switch :  $\frac{I_{C\text{ output}}}{I_{C\text{ driver}} - 7.0\text{ mA}^*} \geq 10$

\* The  $100\ \Omega$  resistor in the emitter of the driver device requires about  $7.0\text{ mA}$  before the output switch conducts.

MC34063A, MC33063A, SC34063A, SC33063A, NCV33063A

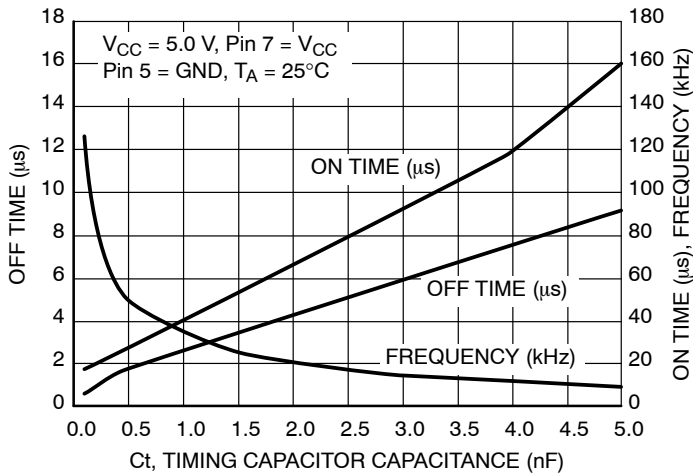


Figure 3. Oscillator Frequency

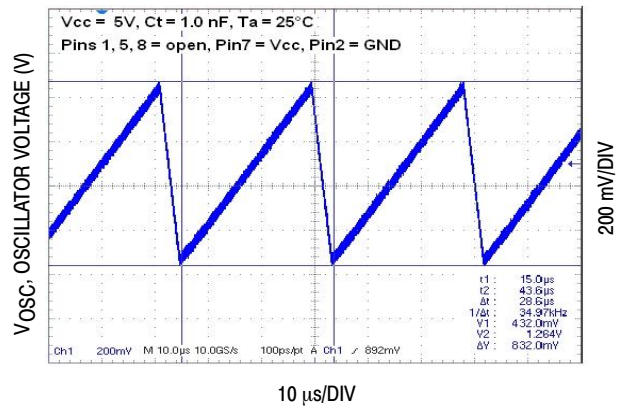


Figure 4. Timing Capacitor Waveform

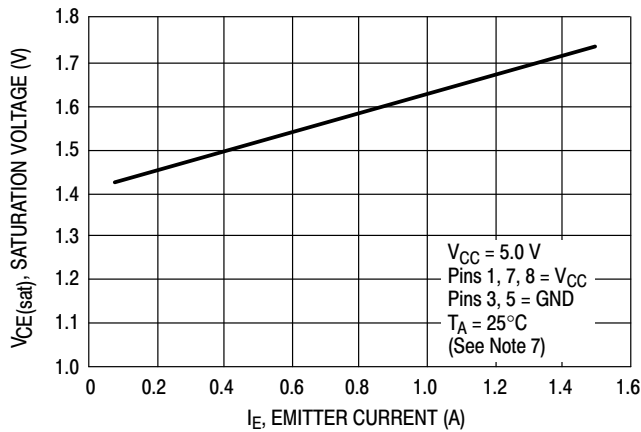


Figure 5. Emitter Follower Configuration Output Saturation Voltage versus Emitter Current

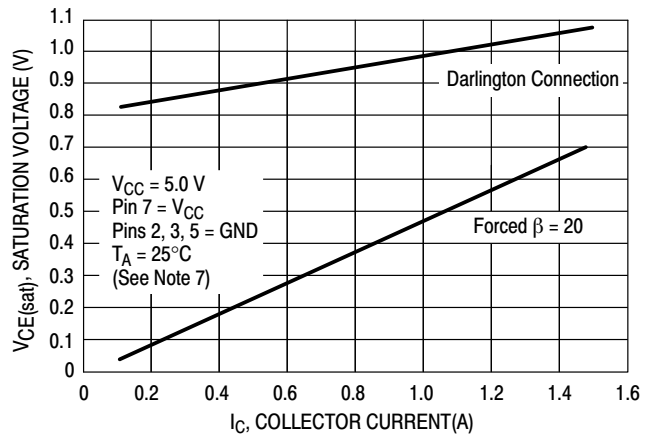


Figure 6. Common Emitter Configuration Output Switch Saturation Voltage versus Collector Current

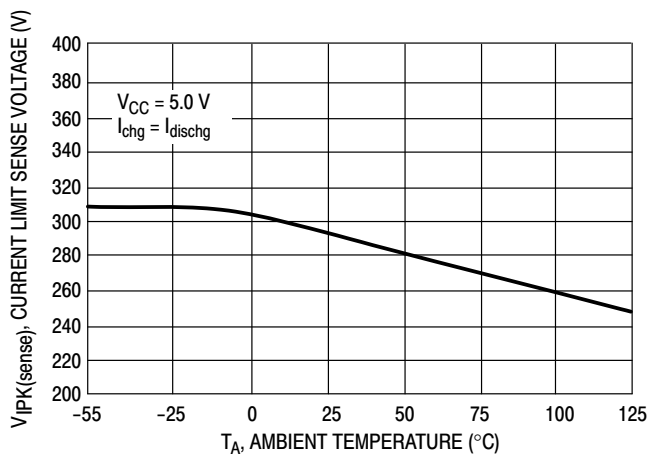


Figure 7. Current Limit Sense Voltage versus Temperature

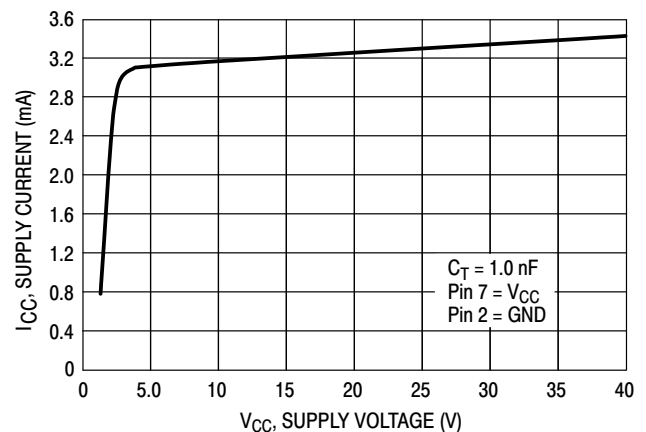
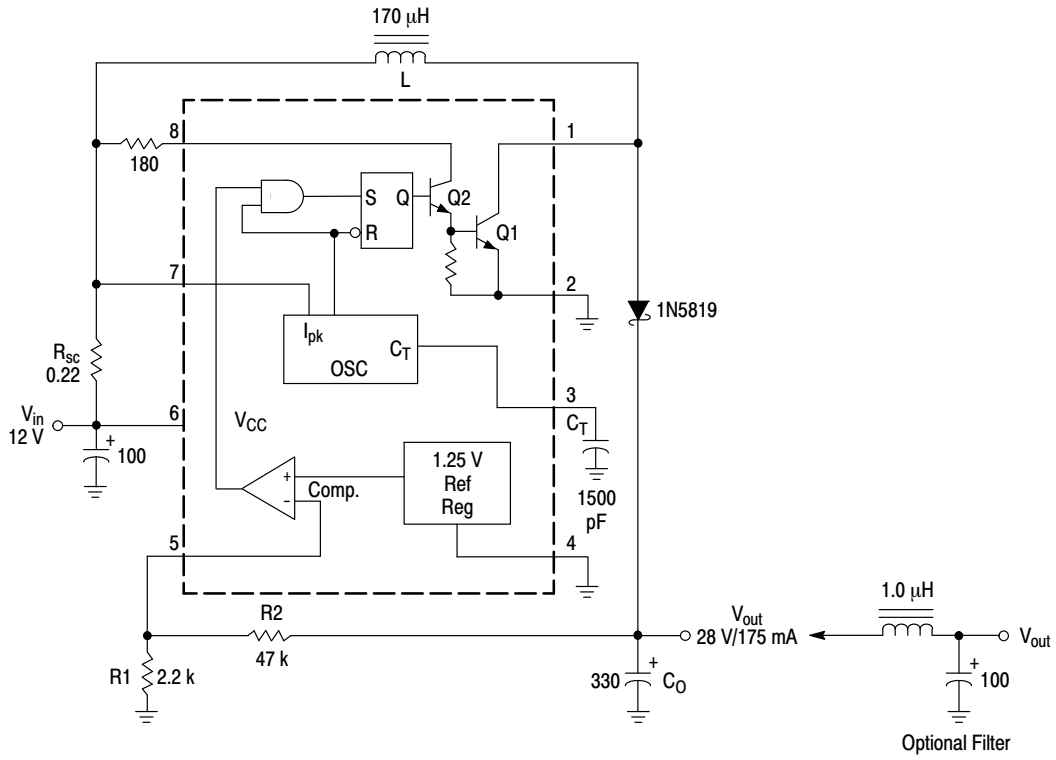


Figure 8. Standby Supply Current versus Supply Voltage

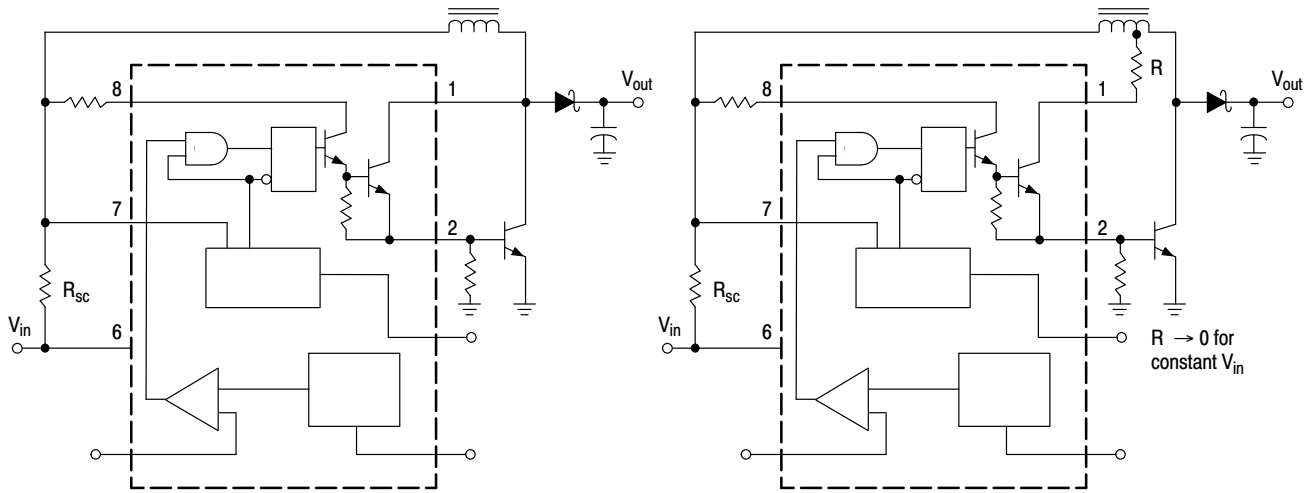
7. Low duty cycle pulse techniques are used during test to maintain junction temperature as close to ambient temperature as possible.



| Test                               | Conditions  | Results                       |
|------------------------------------|---|-------------------------------|
| Line Regulation                    | $V_{in} = 8.0 \text{ V to } 16 \text{ V}, I_O = 175 \text{ mA}$ | $30 \text{ mV} = \pm 0.05\%$  |
| Load Regulation                    | $V_{in} = 12 \text{ V}, I_O = 75 \text{ mA to } 175 \text{ mA}$ | $10 \text{ mV} = \pm 0.017\%$ |
| Output Ripple                      | $V_{in} = 12 \text{ V}, I_O = 175 \text{ mA}$                   | $400 \text{ mVpp}$            |
| Efficiency                         | $V_{in} = 12 \text{ V}, I_O = 175 \text{ mA}$                   | $87.7\%$                      |
| Output Ripple With Optional Filter | $V_{in} = 12 \text{ V}, I_O = 175 \text{ mA}$                   | $40 \text{ mVpp}$             |

Figure 9. Step-Up Converter

**MC34063A, MC33063A, SC34063A, SC33063A, NCV33063A**



**Figure 10. External Current Boost Connections for  $I_C$  Peak Greater than 1.5 A**

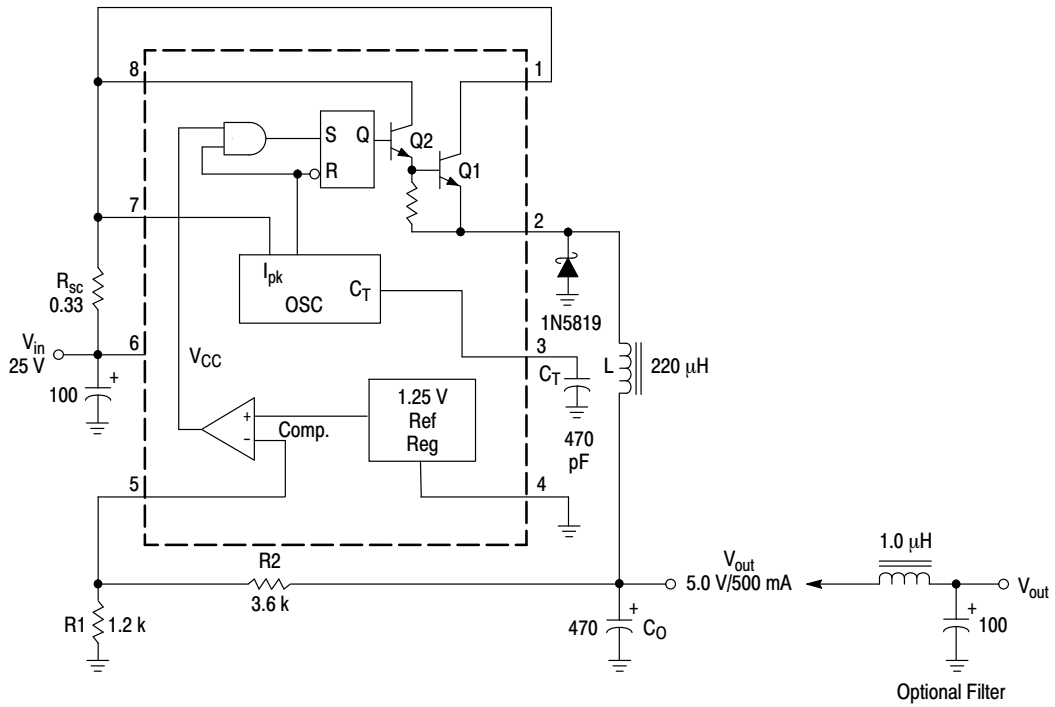
**9a. External NPN Switch**

**9b. External NPN Saturated Switch**

(See Note 8)

8. If the output switch is driven into hard saturation (non-Darlington configuration) at low switch currents ( $\leq 300$  mA) and high driver currents ( $\geq 30$  mA), it may take up to  $2.0 \mu\text{s}$  to come out of saturation. This condition will shorten the off time at frequencies  $\geq 30$  kHz, and is magnified at high temperatures. This condition does not occur with a Darlington configuration, since the output switch cannot saturate. If a non-Darlington configuration is used, the following output drive condition is recommended.

MC34063A, MC33063A, SC34063A, SC33063A, NCV33063A



| Test                               | Conditions   | Results                      |
|------------------------------------|--|------------------------------|
| Line Regulation                    | $V_{in} = 15\text{ V to } 25\text{ V}, I_O = 500\text{ mA}$  | $12\text{ mV} = \pm 0.12\%$  |
| Load Regulation                    | $V_{in} = 25\text{ V}, I_O = 50\text{ mA to } 500\text{ mA}$ | $3.0\text{ mV} = \pm 0.03\%$ |
| Output Ripple                      | $V_{in} = 25\text{ V}, I_O = 500\text{ mA}$                  | 120 mVpp                     |
| Short Circuit Current              | $V_{in} = 25\text{ V}, R_L = 0.1\ \Omega$                    | 1.1 A                        |
| Efficiency                         | $V_{in} = 25\text{ V}, I_O = 500\text{ mA}$                  | 83.7%                        |
| Output Ripple With Optional Filter | $V_{in} = 25\text{ V}, I_O = 500\text{ mA}$                  | 40 mVpp                      |

Figure 11. Step-Down Converter

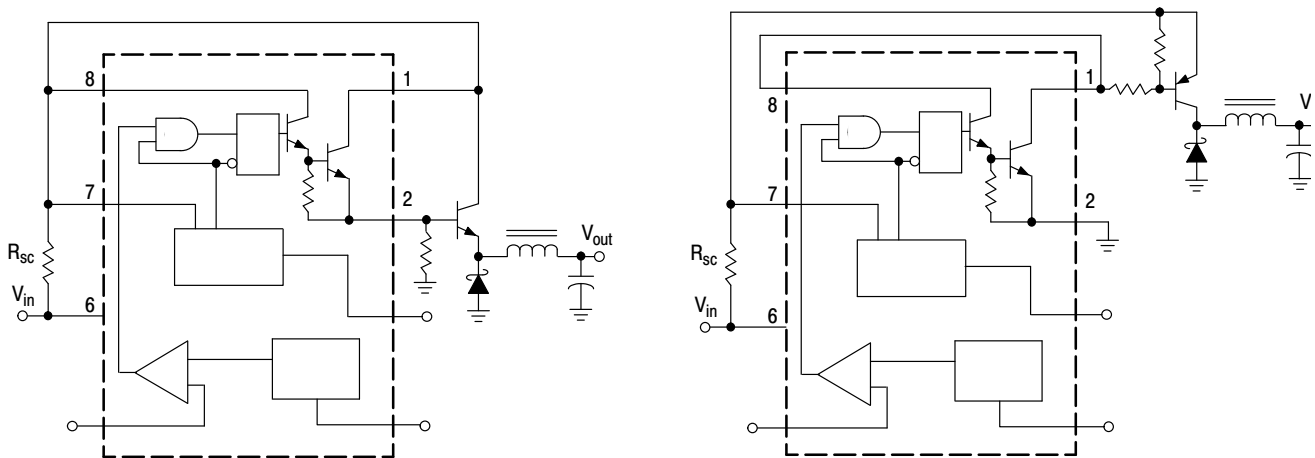
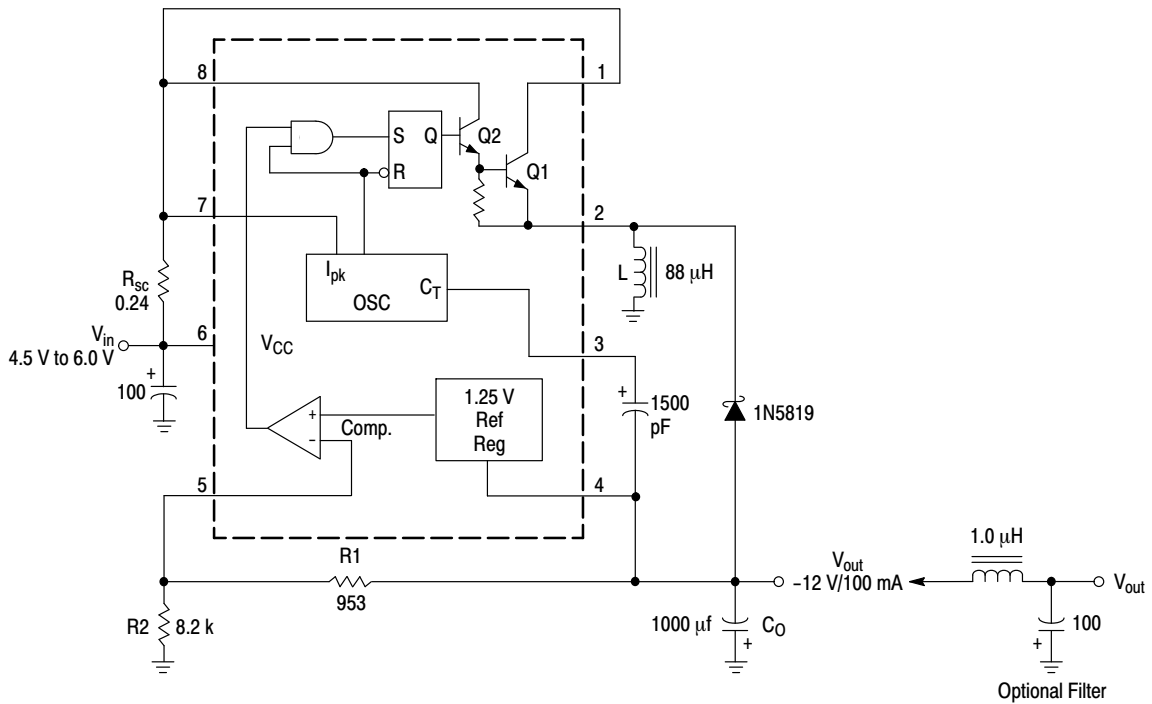


Figure 12. External Current Boost Connections for  $I_C$  Peak Greater than 1.5 A

11a. External NPN Switch

11b. External PNP Saturated Switch

MC34063A, MC33063A, SC34063A, SC33063A, NCV33063A



| Test                               | Conditions   | Results                        |
|------------------------------------|--|--------------------------------|
| Line Regulation                    | $V_{in} = 4.5 \text{ V to } 6.0 \text{ V}, I_O = 100 \text{ mA}$ | $3.0 \text{ mV} = \pm 0.012\%$ |
| Load Regulation                    | $V_{in} = 5.0 \text{ V}, I_O = 10 \text{ mA to } 100 \text{ mA}$ | $0.022 \text{ V} = \pm 0.09\%$ |
| Output Ripple                      | $V_{in} = 5.0 \text{ V}, I_O = 100 \text{ mA}$                   | $500 \text{ mVpp}$             |
| Short Circuit Current              | $V_{in} = 5.0 \text{ V}, R_L = 0.1 \Omega$                       | $910 \text{ mA}$               |
| Efficiency                         | $V_{in} = 5.0 \text{ V}, I_O = 100 \text{ mA}$                   | $62.2\%$                       |
| Output Ripple With Optional Filter | $V_{in} = 5.0 \text{ V}, I_O = 100 \text{ mA}$                   | $70 \text{ mVpp}$              |

Figure 13. Voltage Inverting Converter

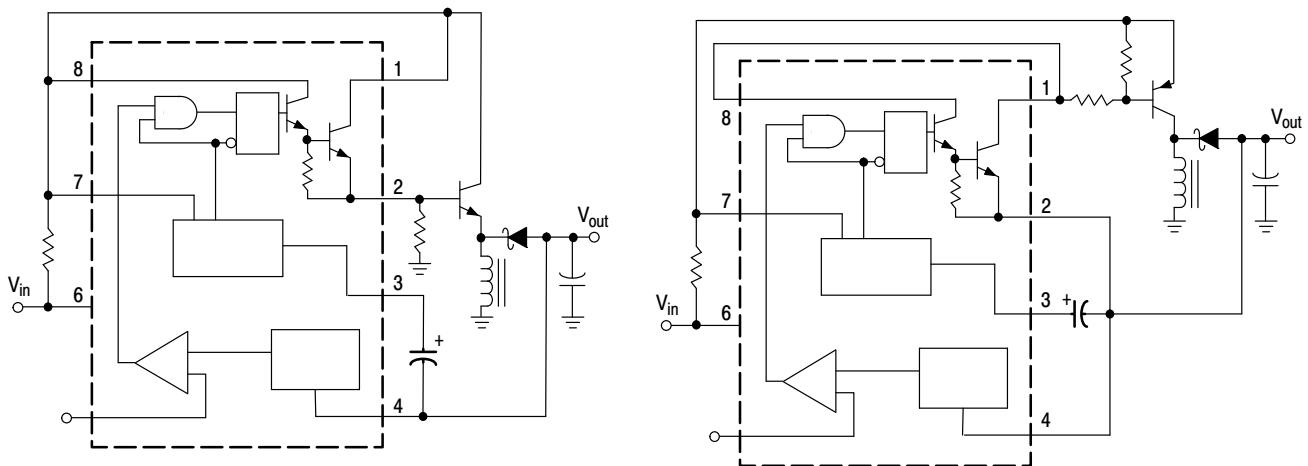
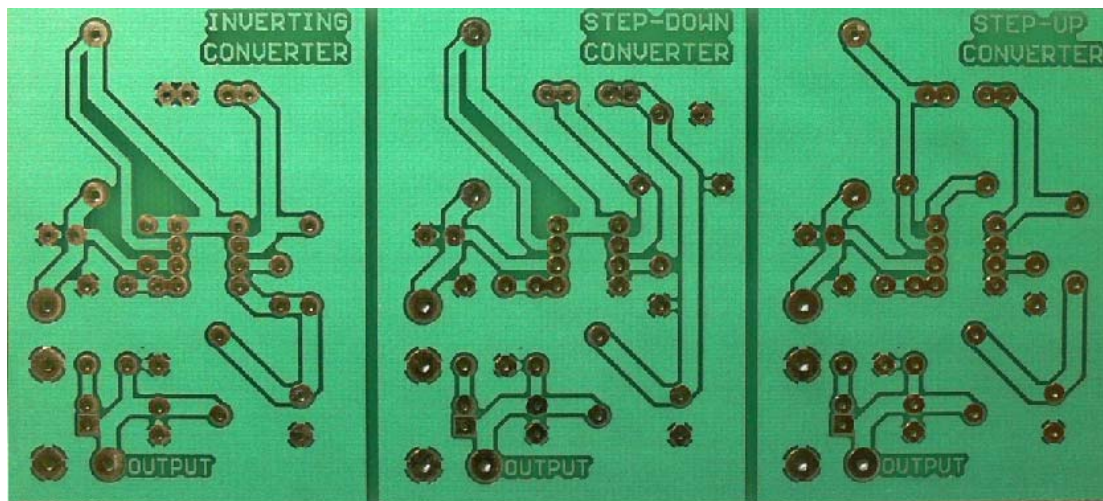


Figure 14. External Current Boost Connections for  $I_C$  Peak Greater than 1.5 A

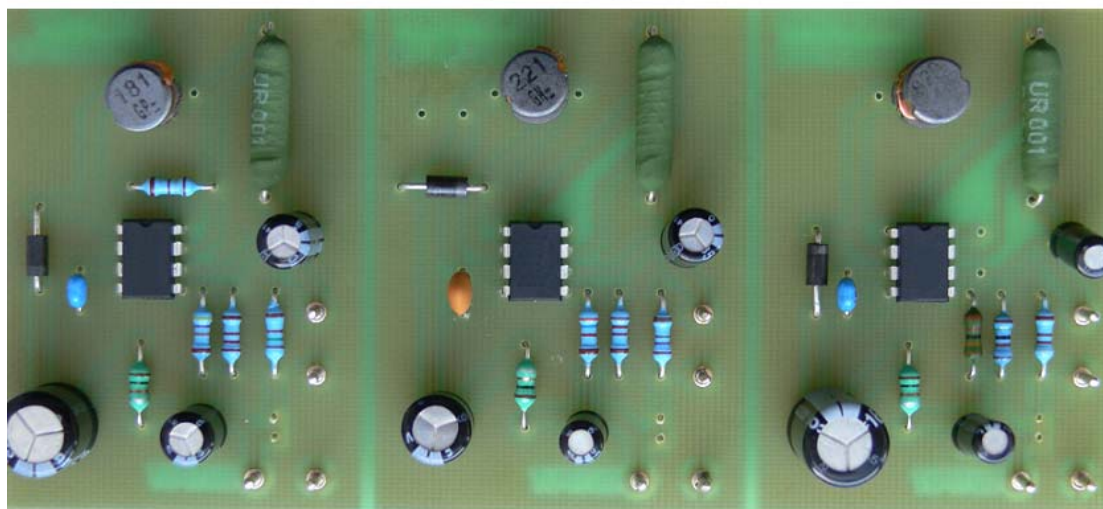
13a. External NPN Switch

13b. External PNP Saturated Switch





(Bottom Side)



(Top View, Component Side)

**Figure 15. Printed Circuit Board and Component Layout**  
(Circuits of Figures 9, 11, 13)

**INDUCTOR DATA**

| Converter         | Inductance ( $\mu\text{H}$ ) | Turns/Wire          |
|-------------------|------------------------------|---------------------|
| Step-Up           | 170                          | 38 Turns of #22 AWG |
| Step-Down         | 220                          | 48 Turns of #22 AWG |
| Voltage-Inverting | 88                           | 28 Turns of #22 AWG |

All inductors are wound on Magnetics Inc. 55117 toroidal core.

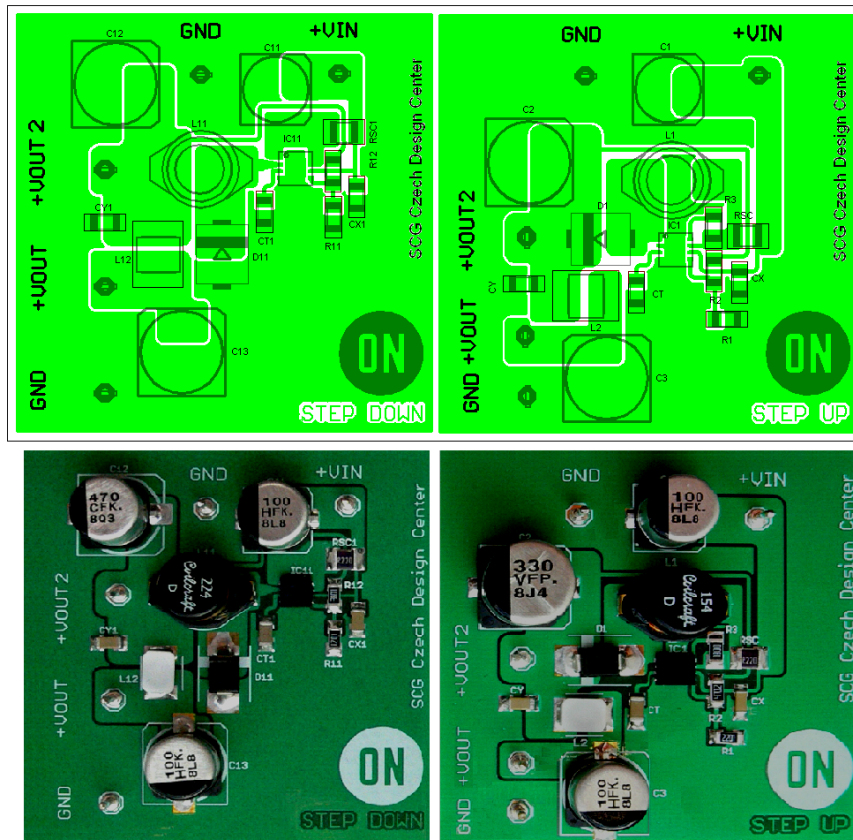


Figure 16. Printed Circuit Board for DFN Device

MC34063A, MC33063A, SC34063A, SC33063A, NCV33063A

| Calculation          | Step-Up   | Step-Down  | Voltage-Inverting   |
|----------------------|---|--|---|
| $t_{on}/t_{off}$     | $\frac{V_{out} + V_F - V_{in(min)}}{V_{in(min)} - V_{sat}}$                 | $\frac{V_{out} + V_F}{V_{in(min)} - V_{sat} - V_{out}}$                                | $\frac{ V_{out}  + V_F}{V_{in} - V_{sat}}$                                  |
| $(t_{on} + t_{off})$ | $\frac{1}{f}$   | $\frac{1}{f}$  | $\frac{1}{f}$   |
| $t_{off}$            | $\frac{t_{on} + t_{off}}{\frac{t_{on}}{t_{off}} + 1}$                       | $\frac{t_{on} + t_{off}}{\frac{t_{on}}{t_{off}} + 1}$                                  | $\frac{t_{on} + t_{off}}{\frac{t_{on}}{t_{off}} + 1}$                       |
| $t_{on}$             | $(t_{on} + t_{off}) - t_{off}$  | $(t_{on} + t_{off}) - t_{off}$   | $(t_{on} + t_{off}) - t_{off}$  |
| $C_T$                | $4.0 \times 10^{-5} t_{on}$   | $4.0 \times 10^{-5} t_{on}$  | $4.0 \times 10^{-5} t_{on}$   |
| $I_{pk( switch )}$   | $2I_{out(max)} \left( \frac{t_{on}}{t_{off}} + 1 \right)$                   | $2I_{out(max)}$  | $2I_{out(max)} \left( \frac{t_{on}}{t_{off}} + 1 \right)$                   |
| $R_{sc}$             | $0.3/I_{pk( switch )}$  | $0.3/I_{pk( switch )}$   | $0.3/I_{pk( switch )}$  |
| $L_{(min)}$          | $\left( \frac{V_{in(min)} - V_{sat}}{I_{pk( switch )}} \right) t_{on(max)}$ | $\left( \frac{V_{in(min)} - V_{sat} - V_{out'}}{I_{pk( switch )}} \right) t_{on(max)}$ | $\left( \frac{V_{in(min)} - V_{sat}}{I_{pk( switch )}} \right) t_{on(max)}$ |
| $C_O$                | $9 \frac{I_{out} t_{on}}{V_{ripple(pp)}}$                                   | $\frac{I_{pk( switch )} (t_{on} + t_{off})}{8V_{ripple(pp)}}$                          | $9 \frac{I_{out} t_{on}}{V_{ripple(pp)}}$                                   |

$V_{sat}$  = Saturation voltage of the output switch.

$V_F$  = Forward voltage drop of the output rectifier.

**The following power supply characteristics must be chosen:**

$V_{in}$  – Nominal input voltage.

$V_{out}$  – Desired output voltage,  $|V_{out}| = 1.25 \left( 1 + \frac{R2}{R1} \right)$

$I_{out}$  – Desired output current.

$f_{min}$  – Minimum desired output switching frequency at the selected values of  $V_{in}$  and  $I_O$ .

$V_{ripple(pp)}$  – Desired peak-to-peak output ripple voltage. In practice, the calculated capacitor value will need to be increased due to its equivalent series resistance and board layout. The ripple voltage should be kept to a low value since it will directly affect the line and load regulation.

**NOTE:** For further information refer to Application Note AN920A/D and AN954/D.

Figure 17. Design Formula Table

# MC34063A, MC33063A, SC34063A, SC33063A, NCV33063A

## ORDERING INFORMATION

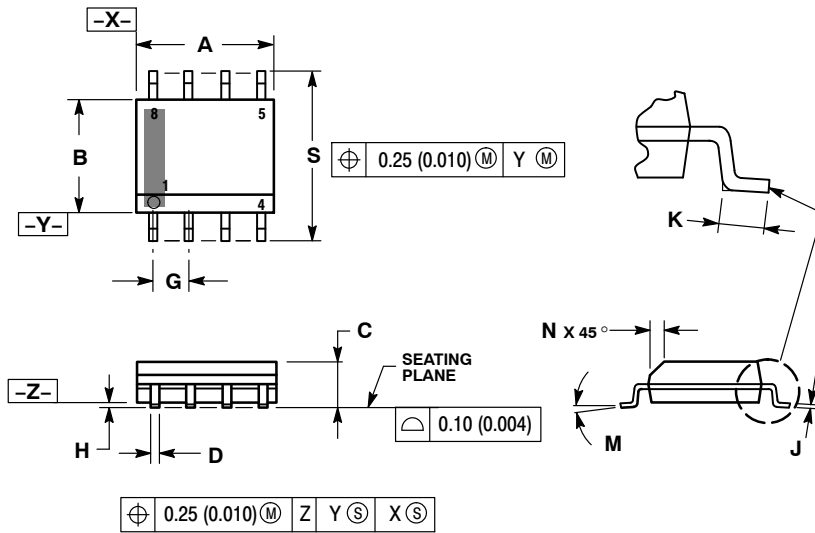
| Device          | Package             | Shipping†                |
|-----------------|---------------------|--------------------------|
| MC33063AD       | SOIC-8              | 98 Units / Rail          |
| MC33063ADG      | SOIC-8<br>(Pb-Free) | 98 Units / Rail          |
| MC33063ADR2     | SOIC-8              | 2500 Units / Tape & Reel |
| MC33063ADR2G    | SOIC-8<br>(Pb-Free) | 2500 Units / Tape & Reel |
| SC33063ADR2G    | SOIC-8<br>(Pb-Free) | 2500 Units / Tape & Reel |
| MC33063AP1      | PDIP-8              | 50 Units / Rail          |
| MC33063AP1G     | PDIP-8<br>(Pb-Free) | 50 Units / Rail          |
| MC33063AVD      | SOIC-8              | 98 Units / Rail          |
| MC33063AVDG     | SOIC-8<br>(Pb-Free) | 98 Units / Rail          |
| MC33063AVDR2    | SOIC-8              | 2500 Units / Tape & Reel |
| MC33063AVDR2G   | SOIC-8<br>(Pb-Free) |                          |
| NCV33063AVDR2*  | SOIC-8              |                          |
| NCV33063AVDR2G* | SOIC-8<br>(Pb-Free) |                          |
| MC33063AVP      | PDIP-8              | 50 Units / Rail          |
| MC33063AVPG     | PDIP-8<br>(Pb-Free) | 50 Units / Rail          |
| MC34063AD       | SOIC-8              | 98 Units / Rail          |
| MC34063ADG      | SOIC-8<br>(Pb-Free) | 98 Units / Rail          |
| MC34063ADR2     | SOIC-8              | 2500 Units / Tape & Reel |
| MC34063ADR2G    | SOIC-8<br>(Pb-Free) | 2500 Units / Tape & Reel |
| SC34063ADR2G    | SOIC-8<br>(Pb-Free) | 2500 Units / Tape & Reel |
| MC34063AP1      | PDIP-8              | 50 Units / Rail          |
| MC34063AP1G     | PDIP-8<br>(Pb-Free) | 50 Units / Rail          |
| SC34063AP1G     | PDIP-8<br>(Pb-Free) | 50 Units / Rail          |
| MC33063MNTXG    | DFN8<br>(Pb-Free)   | 4000 Units / Tape & Reel |

†For information on tape and reel specifications, including part orientation and tape sizes, please refer to our Tape and Reel Packaging Specification Brochure, BRD8011/D.

\*NCV33063A:  $T_{low} = -40^{\circ}C$ ,  $T_{high} = +125^{\circ}C$ . Guaranteed by design. NCV prefix is for automotive and other applications requiring site and change control.

PACKAGE DIMENSIONS

SOIC-8 NB  
CASE 751-07  
ISSUE AJ

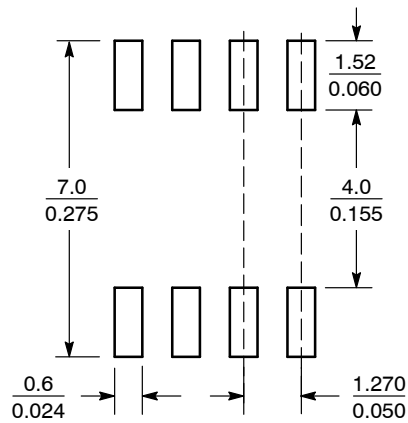


NOTES:

1. DIMENSIONING AND TOLERANCING PER ANSI Y14.5M, 1982.
2. CONTROLLING DIMENSION: MILLIMETER.
3. DIMENSION A AND B DO NOT INCLUDE MOLD PROTRUSION.
4. MAXIMUM MOLD PROTRUSION 0.15 (0.006) PER SIDE.
5. DIMENSION D DOES NOT INCLUDE DAMBAR PROTRUSION. ALLOWABLE DAMBAR PROTRUSION SHALL BE 0.127 (0.005) TOTAL IN EXCESS OF THE D DIMENSION AT MAXIMUM MATERIAL CONDITION.
6. 751-01 THRU 751-06 ARE OBSOLETE. NEW STANDARD IS 751-07.

| DIM | MILLIMETERS |      | INCHES    |       |
|-----|-------------|------|-----------|-------|
|     | MIN         | MAX  | MIN       | MAX   |
| A   | 4.80        | 5.00 | 0.189     | 0.197 |
| B   | 3.80        | 4.00 | 0.150     | 0.157 |
| C   | 1.35        | 1.75 | 0.053     | 0.069 |
| D   | 0.33        | 0.51 | 0.013     | 0.020 |
| G   | 1.27 BSC    |      | 0.050 BSC |       |
| H   | 0.10        | 0.25 | 0.004     | 0.010 |
| J   | 0.19        | 0.25 | 0.007     | 0.010 |
| K   | 0.40        | 1.27 | 0.016     | 0.050 |
| M   | 0°          | 8°   | 0°        | 8°    |
| N   | 0.25        | 0.50 | 0.010     | 0.020 |
| S   | 5.80        | 6.20 | 0.228     | 0.244 |

SOLDERING FOOTPRINT\*



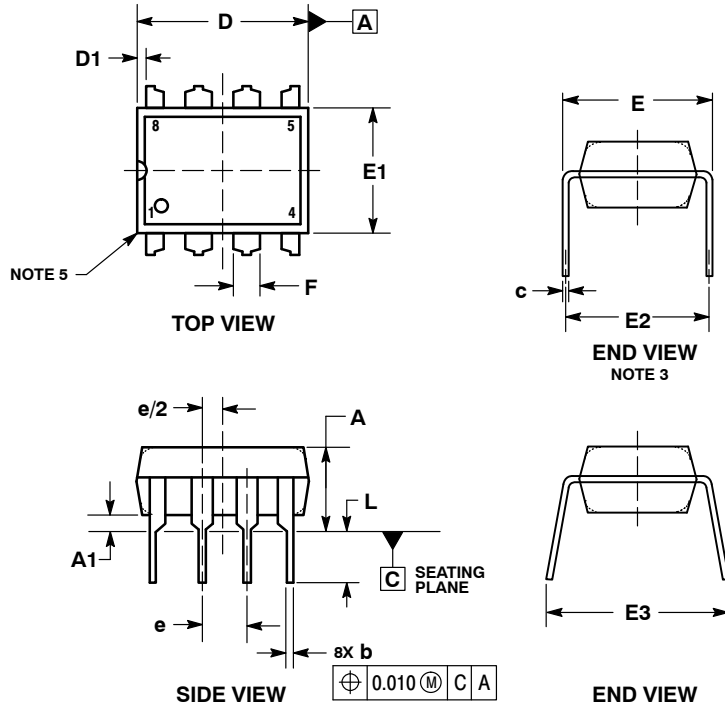
SCALE 6:1 (mm/inches)

\*For additional information on our Pb-Free strategy and soldering details, please download the ON Semiconductor Soldering and Mounting Techniques Reference Manual, SOLDERRM/D.

MC34063A, MC33063A, SC34063A, SC33063A, NCV33063A

PACKAGE DIMENSIONS

PDIP-8  
P, P1 SUFFIX  
CASE 626-05  
ISSUE M



NOTES:

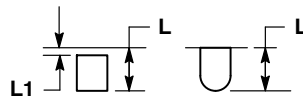
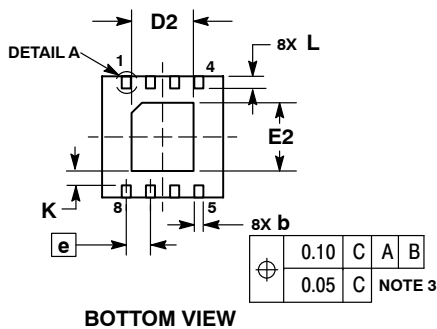
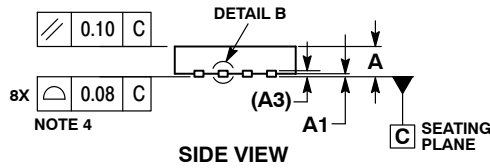
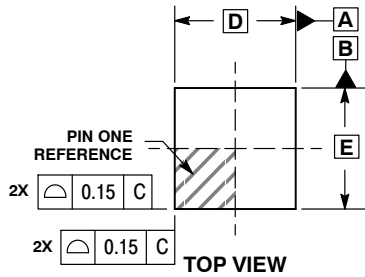
1. DIMENSIONING AND TOLERANCING PER ASME Y14.5M, 1994.
2. CONTROLLING DIMENSION: INCHES.
3. DIMENSION E IS MEASURED WITH THE LEADS RE-STRAINED PARALLEL AT WIDTH E2.
4. DIMENSION E1 DOES NOT INCLUDE MOLD FLASH.
5. ROUNDED CORNERS OPTIONAL.

| DIM | INCHES    |       |       | MILLIMETERS |       |       |
|-----|-----------|-------|-------|-------------|-------|-------|
|     | MIN       | NOM   | MAX   | MIN         | NOM   | MAX   |
| A   | -----     | ----- | 0.210 | -----       | ----- | 5.33  |
| A1  | 0.015     | ----- | ----- | 0.38        | ----- | ----- |
| b   | 0.014     | 0.018 | 0.022 | 0.35        | 0.46  | 0.56  |
| C   | 0.008     | 0.010 | 0.014 | 0.20        | 0.25  | 0.36  |
| D   | 0.355     | 0.365 | 0.400 | 9.02        | 9.27  | 10.02 |
| D1  | 0.005     | ----- | ----- | 0.13        | ----- | ----- |
| E   | 0.300     | 0.310 | 0.325 | 7.62        | 7.87  | 8.26  |
| E1  | 0.240     | 0.250 | 0.280 | 6.10        | 6.35  | 7.11  |
| E2  | 0.300 BSC |       |       | 7.62 BSC    |       |       |
| E3  | -----     | ----- | 0.430 | -----       | ----- | 10.92 |
| e   | 0.100 BSC |       |       | 2.54 BSC    |       |       |
| L   | 0.115     | 0.130 | 0.150 | 2.92        | 3.30  | 3.81  |

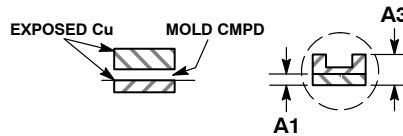
# MC34063A, MC33063A, SC34063A, SC33063A, NCV33063A

## PACKAGE DIMENSIONS

DFN8, 4x4  
CASE 488AF-01  
ISSUE C



DETAIL A  
OPTIONAL  
CONSTRUCTIONS



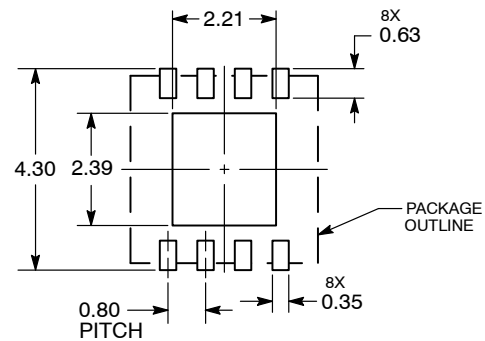
DETAIL B  
ALTERNATE  
CONSTRUCTIONS

NOTES:

1. DIMENSIONS AND TOLERANCING PER ASME Y14.5M, 1994.
2. CONTROLLING DIMENSION: MILLIMETERS.
3. DIMENSION b APPLIES TO PLATED TERMINAL AND IS MEASURED BETWEEN 0.15 AND 0.30MM FROM TERMINAL TIP.
4. COPLANARITY APPLIES TO THE EXPOSED PAD AS WELL AS THE TERMINALS.
5. DETAILS A AND B SHOW OPTIONAL CONSTRUCTIONS FOR TERMINALS.

| MILLIMETERS |      |      |
|-------------|------|------|
| DIM         | MIN  | MAX  |
| A           | 0.80 | 1.00 |
| A1          | 0.00 | 0.05 |
| A3          | 0.20 | REF  |
| b           | 0.25 | 0.35 |
| D           | 4.00 | BSC  |
| D2          | 1.91 | 2.21 |
| E           | 4.00 | BSC  |
| E2          | 2.09 | 2.39 |
| e           | 0.80 | BSC  |
| K           | 0.20 | ---  |
| L           | 0.30 | 0.50 |
| L1          | ---  | 0.15 |

### SOLDERING FOOTPRINT\*



DIMENSIONS: MILLIMETERS

\*For additional information on our Pb-Free strategy and soldering details, please download the ON Semiconductor Soldering and Mounting Techniques Reference Manual, SOLDERRM/D.

SENSEFET is a trademark of Semiconductor Components Industries, LLC.

ON Semiconductor and are registered trademarks of Semiconductor Components Industries, LLC (SCILLC). SCILLC reserves the right to make changes without further notice to any products herein. SCILLC makes no warranty, representation or guarantee regarding the suitability of its products for any particular purpose, nor does SCILLC assume any liability arising out of the application or use of any product or circuit, and specifically disclaims any and all liability, including without limitation special, consequential or incidental damages. "Typical" parameters which may be provided in SCILLC data sheets and/or specifications can and do vary in different applications and actual performance may vary over time. All operating parameters, including "Typicals" must be validated for each customer application by customer's technical experts. SCILLC does not convey any license under its patent rights nor the rights of others. SCILLC products are not designed, intended, or authorized for use as components in systems intended for surgical implant into the body, or other applications intended to support or sustain life, or for any other application in which the failure of the SCILLC product could create a situation where personal injury or death may occur. Should Buyer purchase or use SCILLC products for any such unintended or unauthorized application, Buyer shall indemnify and hold SCILLC and its officers, employees, subsidiaries, affiliates, and distributors harmless against all claims, costs, damages, and expenses, and reasonable attorney fees arising out of, directly or indirectly, any claim of personal injury or death associated with such unintended or unauthorized use, even if such claim alleges that SCILLC was negligent regarding the design or manufacture of the part. SCILLC is an Equal Opportunity/Affirmative Action Employer. This literature is subject to all applicable copyright laws and is not for resale in any manner.

### PUBLICATION ORDERING INFORMATION

**LITERATURE FULFILLMENT:**  
Literature Distribution Center for ON Semiconductor  
P.O. Box 5163, Denver, Colorado 80217 USA  
Phone: 303-675-2175 or 800-344-3860 Toll Free USA/Canada  
Fax: 303-675-2176 or 800-344-3867 Toll Free USA/Canada  
Email: orderlit@onsemi.com

**N. American Technical Support:** 800-282-9855 Toll Free  
USA/Canada  
**Europe, Middle East and Africa Technical Support:**  
Phone: 421 33 790 2910  
**Japan Customer Focus Center**  
Phone: 81-3-5773-3850

**ON Semiconductor Website:** [www.onsemi.com](http://www.onsemi.com)

**Order Literature:** <http://www.onsemi.com/orderlit>

For additional information, please contact your local Sales Representative



Компания «ЭлектроПласт» предлагает заключение долгосрочных отношений при поставках импортных электронных компонентов на взаимовыгодных условиях!

Наши преимущества:

- Оперативные поставки широкого спектра электронных компонентов отечественного и импортного производства напрямую от производителей и с крупнейших мировых складов;
- Поставка более 17-ти миллионов наименований электронных компонентов;
- Поставка сложных, дефицитных, либо снятых с производства позиций;
- Оперативные сроки поставки под заказ (от 5 рабочих дней);
- Экспресс доставка в любую точку России;
- Техническая поддержка проекта, помощь в подборе аналогов, поставка прототипов;
- Система менеджмента качества сертифицирована по Международному стандарту ISO 9001;
- Лицензия ФСБ на осуществление работ с использованием сведений, составляющих государственную тайну;
- Поставка специализированных компонентов (Xilinx, Altera, Analog Devices, Intersil, Interpoint, Microsemi, Aeroflex, Peregrine, Syfer, Eurofarad, Texas Instrument, Miteq, Cobham, E2V, MA-COM, Hittite, Mini-Circuits, General Dynamics и др.);

Помимо этого, одним из направлений компании «ЭлектроПласт» является направление «Источники питания». Мы предлагаем Вам помощь Конструкторского отдела:

- Подбор оптимального решения, техническое обоснование при выборе компонента;
- Подбор аналогов;
- Консультации по применению компонента;
- Поставка образцов и прототипов;
- Техническая поддержка проекта;
- Защита от снятия компонента с производства.



#### Как с нами связаться

**Телефон:** 8 (812) 309 58 32 (многоканальный)

**Факс:** 8 (812) 320-02-42

**Электронная почта:** [org@eplast1.ru](mailto:org@eplast1.ru)

**Адрес:** 198099, г. Санкт-Петербург, ул. Калинина, дом 2, корпус 4, литера А.