

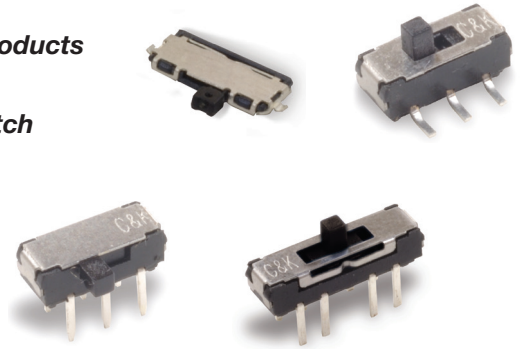
JS Series Sub-Miniature Slide Switches

Features/Benefits

- Positive detent
- Low profile
- IR reflow to 260° solder profile
- Surface and thru hole mounting
- SPDT, DPDT, DP3T models
- RoHS compliant

Typical Applications

- Telecommunication products
- Computer peripherals
- Thermostat select switch
- Instrumentations



Specifications

CONTACT RATING: 6 VDC @ 0.3A
 ELECTRICAL LIFE: 5,000 make-and-break cycles
 CONTACT RESISTANCE: 70 m Ω max.
 INSULATION RESISTANCE: 100 M Ω min. @ 500V.
 DIELECTRIC STRENGTH: 500 VAC min. @ sea level.
 OPERATING TEMPERATURE: -40°C to +85°C
 STORAGE TEMPERATURE: -40°C to +85°C

NOTE: Specifications and materials listed above are for switches with standard options.
 For information on specific and custom switches, consult Customer Service Center.

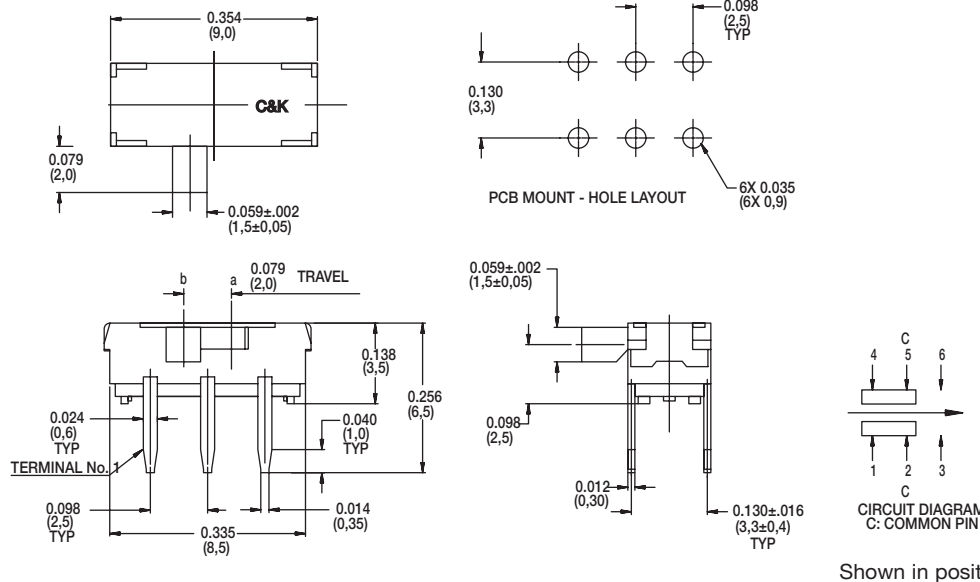
Materials

HOUSING: 4/6 nylon (UL94V-2), black.
 ACTUATOR: 4/6 nylon (UL94V-2), black (some options white).
 CONTACTS: Copper alloy, silver plated.
 TERMINALS: Brass, silver plated



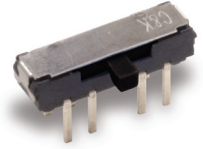
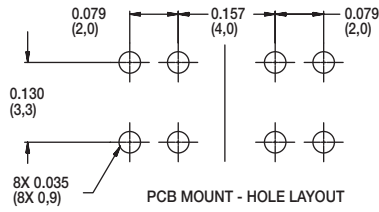
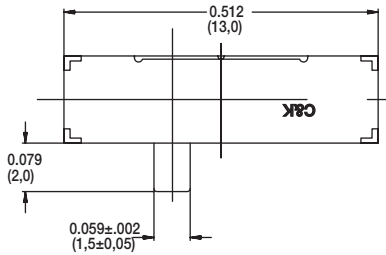
Slide

RIGHT ANGLE, PC THRU-HOLE



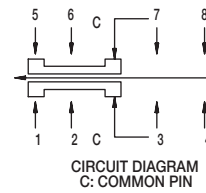
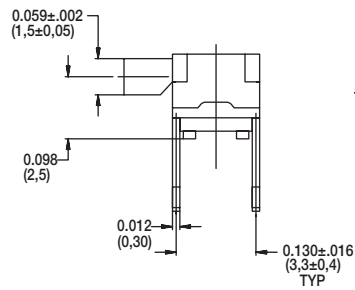
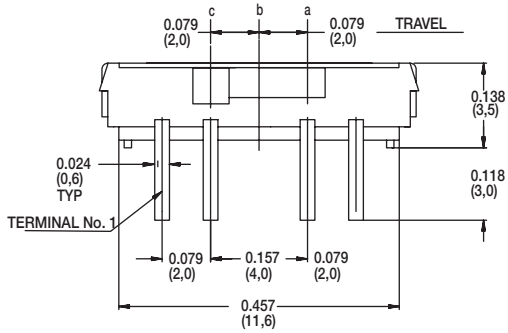
JS Series Sub-Miniature Slide Switches

RIGHT ANGLE, PC THRU-HOLE



Part Number
JS203011AQN
DP3T

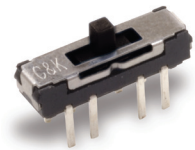
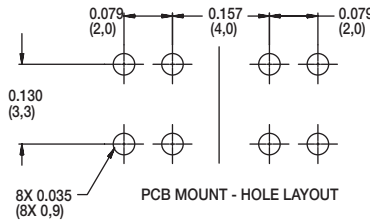
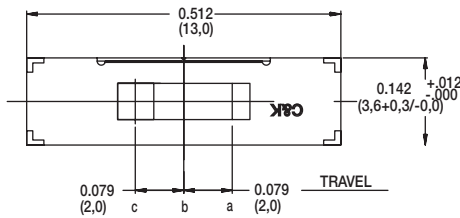
Shown in position b



CIRCUIT DIAGRAM
C: COMMON PIN

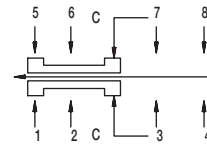
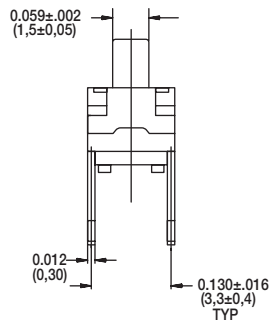
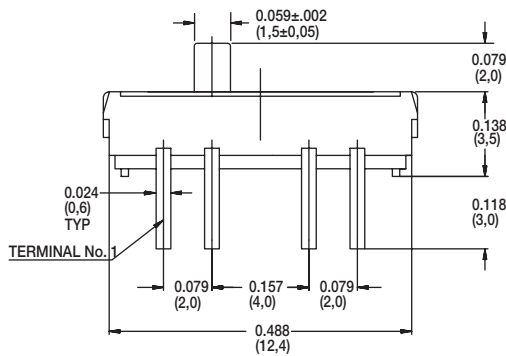
Shown in position c

PC THRU-HOLE



Part Number
JS203011CQN
DP3T

Shown in position b



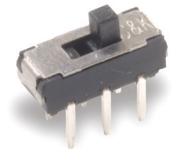
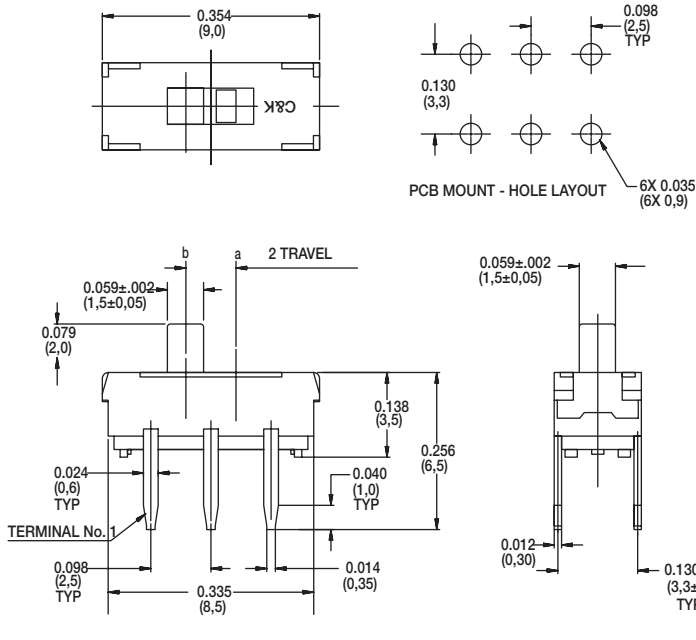
CIRCUIT DIAGRAM
C: COMMON PIN

Shown in position c

Slide

JS Series Sub-Miniature Slide Switches

PC THRU-HOLE



Part Number
JS202011CQN
DPDT

Shown in position a



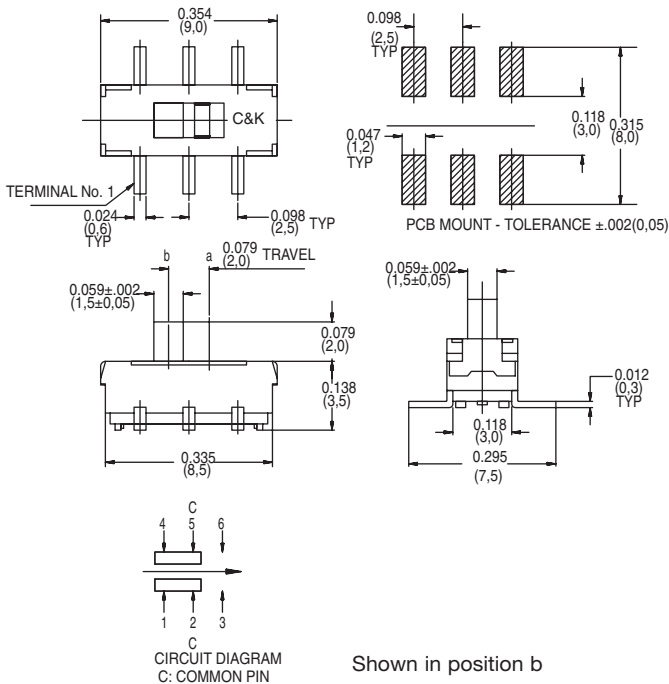
Slide

Shown in position b

SURFACE MOUNT

Part number
JS202011SCQN
DPDT

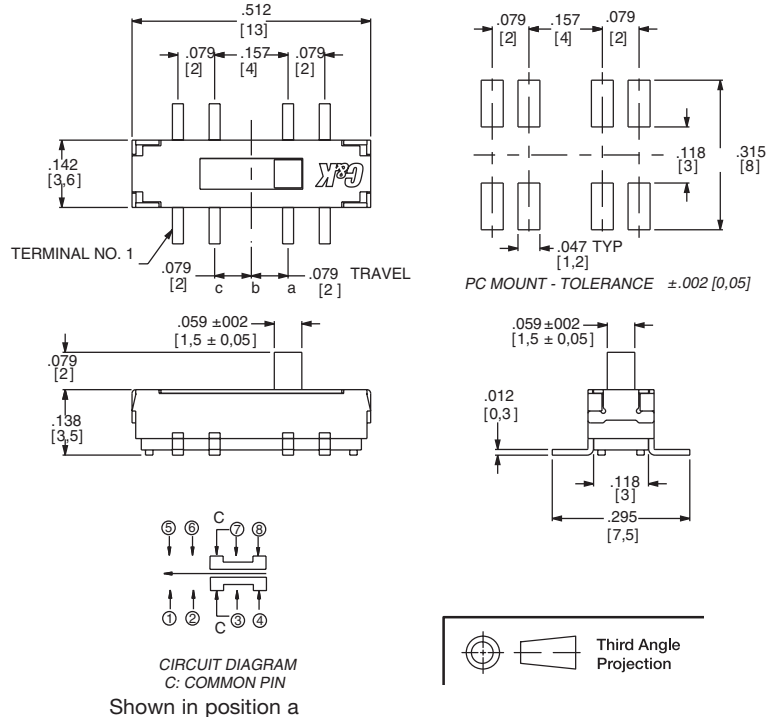
Shown in position b. Quantity per reel 1000
Available in tape & reel only, see page I-58



Shown in position b

Part number
JS203011SCQN
DP3T

Quantity per reel 900
Available in tape & reel only, see page I-60

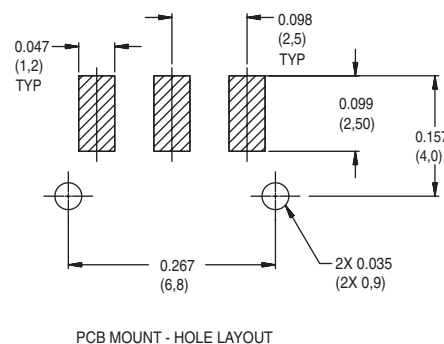
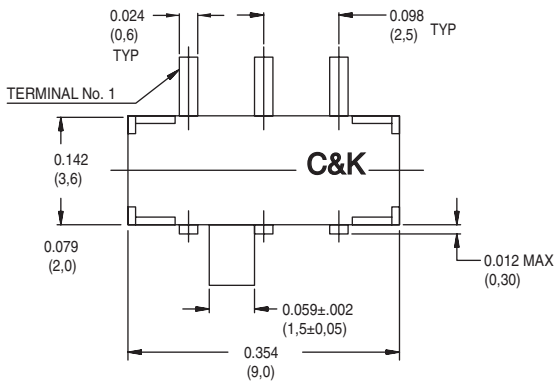


Shown in position a



JS Series Sub-Miniature Slide Switches

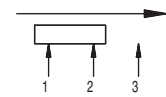
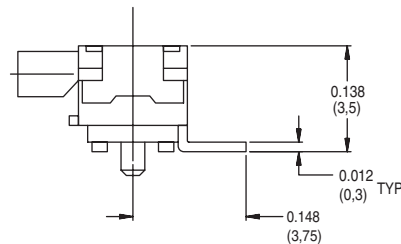
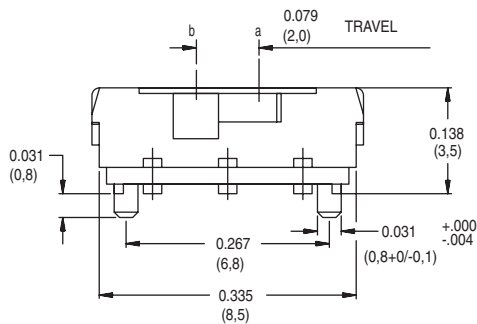
RIGHT ANGLE SURFACE MOUNT



Part Number
JS102011SAQN
SPDT

Shown in position a

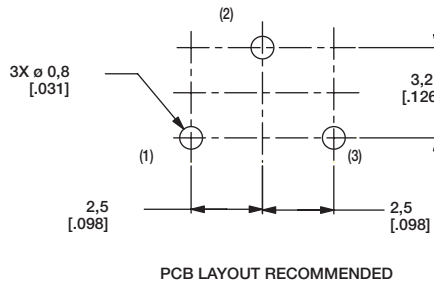
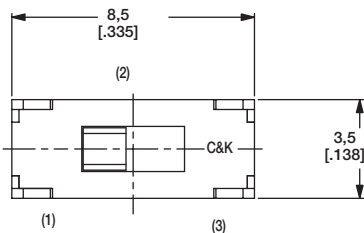
Available in tape & reel only, see page I-59



Shown in position b

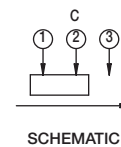
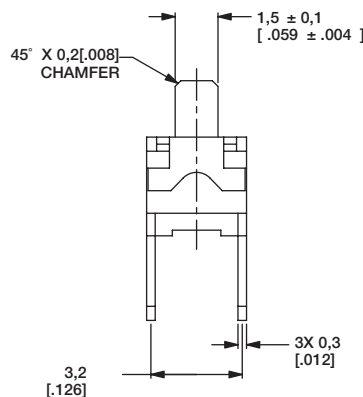
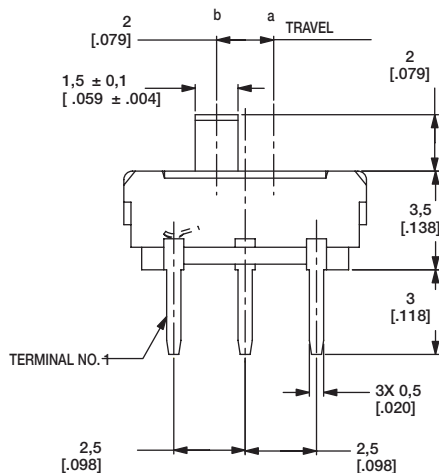
Slide

PC THRU-HOLE



Part Number
JS102011CQN
SPDT

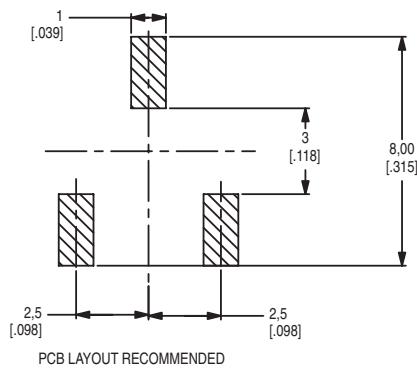
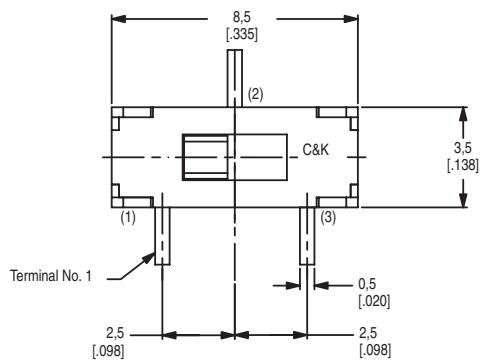
Shown in position a



Shown in position b

JS Series Sub-Miniature Slide Switches

SURFACE MOUNT



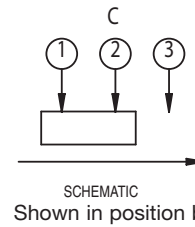
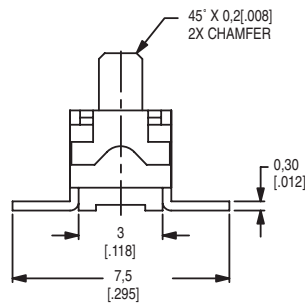
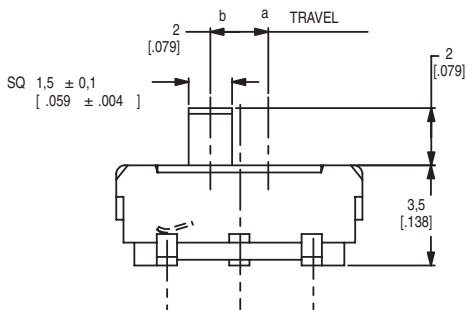
Part Number
JS102011SCQN
SPDT

Shown in position a

Available in tape & reel
only, see page I-59

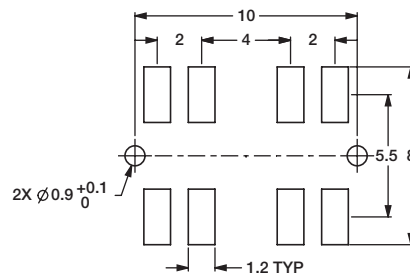
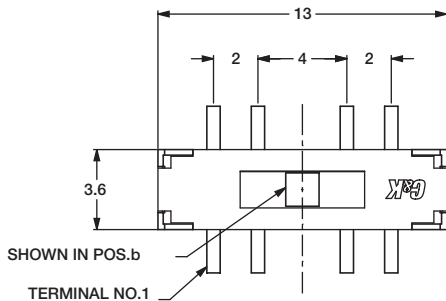


Slide

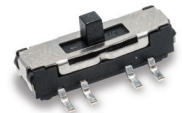
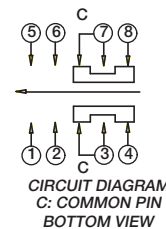


SURFACE MOUNT

NEW



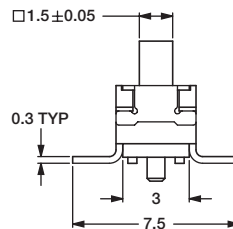
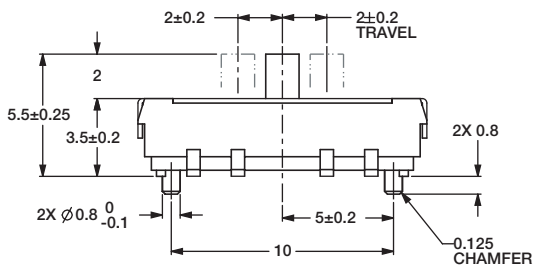
PC MOUNT - TOLERANCE ±.05



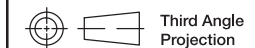
Part Number
JS207011SCQNR
DP3T

Shown in position b

Available in tape & reel
only, see page I-58



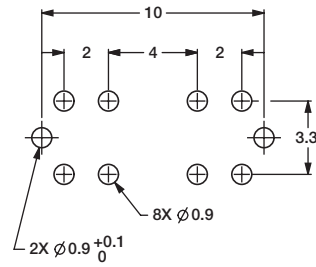
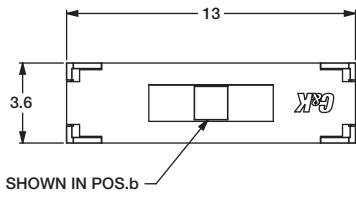
SWITCH FUNCTION		
POS.c	POS.b	POS.a
(MOM)	ON	ON
CONNECTED TERMINALS		
1-3,5-7	2-3,6-7	3-4,7-8



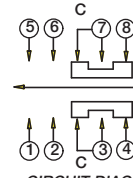
Third Angle
Projection
Dimensions are shown: Inches (mm)
Specifications and dimensions subject to change

JS Series Sub-Miniature Slide Switches

PC THRU-HOLE

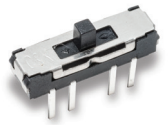


PC MOUNT - TOLERANCE $\pm .05$



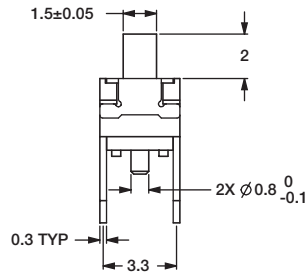
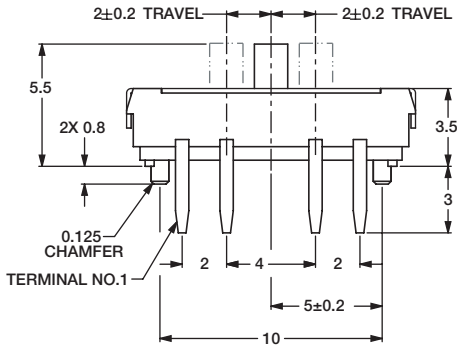
CIRCUIT DIAGRAM
C: COMMON PIN
BOTTOM VIEW

NEW



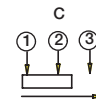
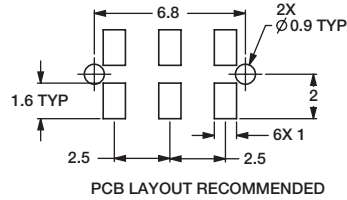
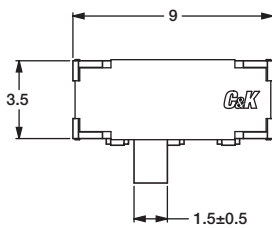
Part Number
JS207011CQNR
DP3T

Shown in position b



SWITCH FUNCTION		
POS.c	POS.b	POS.a
(MOM)	ON	ON
CONNECTED TERMINALS		
1-3,5-7	2-3,6-7	3-4,7-8

RIGHT ANGLE SURFACE MOUNT



CIRCUIT DIAGRAM
C: COMMON PIN
BOTTOM VIEW

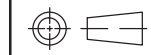
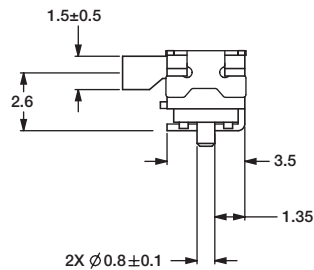
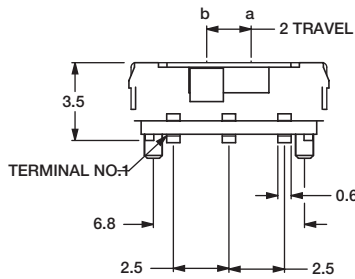
NEW



Part Number
JS102011JAQN
SPDT

Shown in position

Available in tape & reel
only, see page I-59



Third Angle
Projection

Dimensions are shown: mm
Specifications and dimensions subject to change

JS Series Sub-Miniature Slide Switches

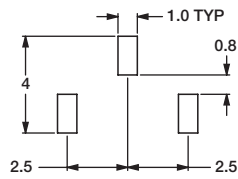
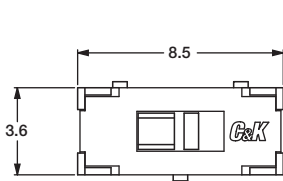
VERTICAL MOUNT SMT - J BEND

NEW

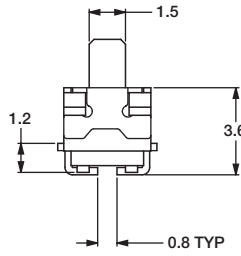
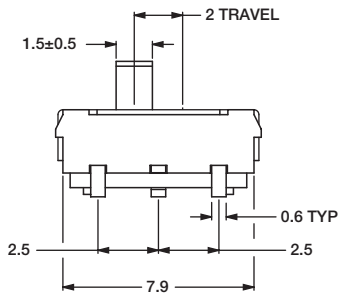
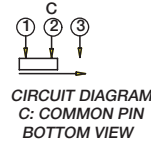


Part Number
JS102011JCQN
SPDT

Available in tape & reel
only, see page I-59



PCB LAYOUT RECOMMENDED



RIGHT ANGLE SURFACE MOUNT

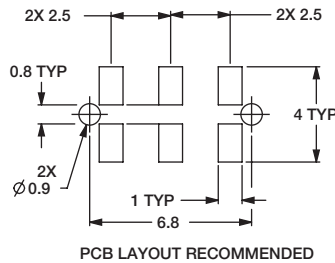
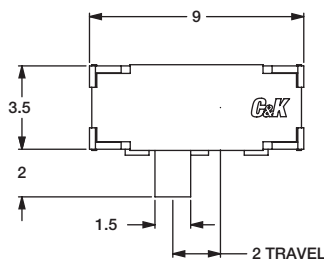
NEW



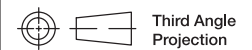
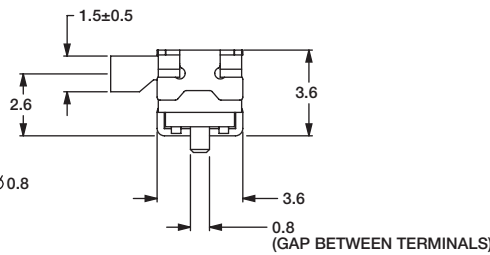
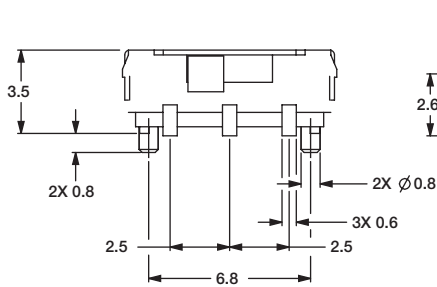
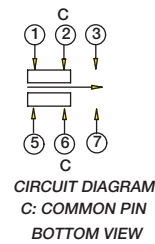
Part Number
JS202011JAQN
DPDT

Shown in position

Available in tape & reel
only, see page I-61



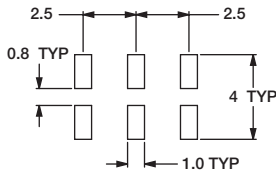
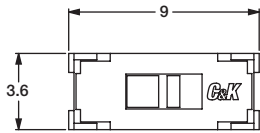
PCB LAYOUT RECOMMENDED



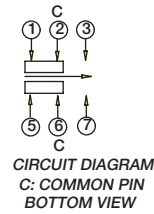
Dimensions are shown: mm
Specifications and dimensions subject to change

JS Series Sub-Miniature Slide Switches

VERTICAL MOUNT SMT - J BEND



PCB LAYOUT RECOMMENDED



CIRCUIT DIAGRAM
C: COMMON PIN
BOTTOM VIEW



Part Number
JS202011JCQN

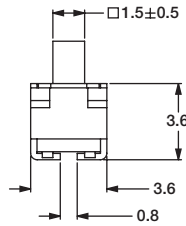
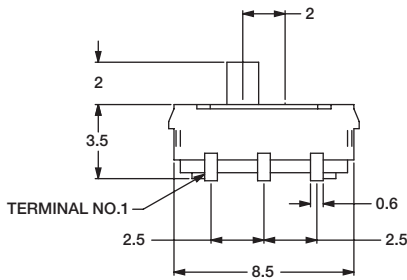
DPDT

Shown in position

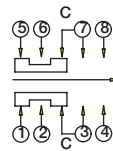
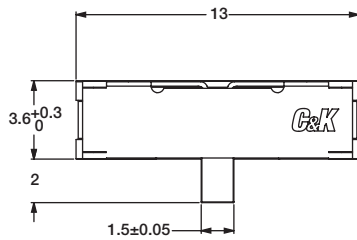
Available in tape & reel
only, see page I-61



Slide



RIGHT ANGLE MOUNT SMT - J BEND



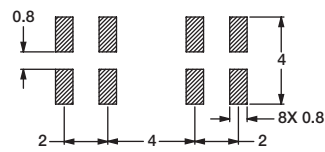
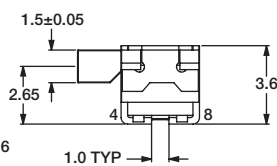
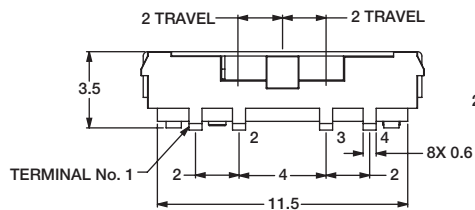
SCHEMATIC
C: COMMON PIN



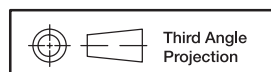
Part Number
JS203011JAQN
DP3T

Shown in position

Available in tape & reel
only, see page I-60



PCB LAYOUT RECOMMENDED



Third Angle
Projection

Dimensions are shown: mm
Specifications and dimensions subject to change

JS Series Sub-Miniature Slide Switches

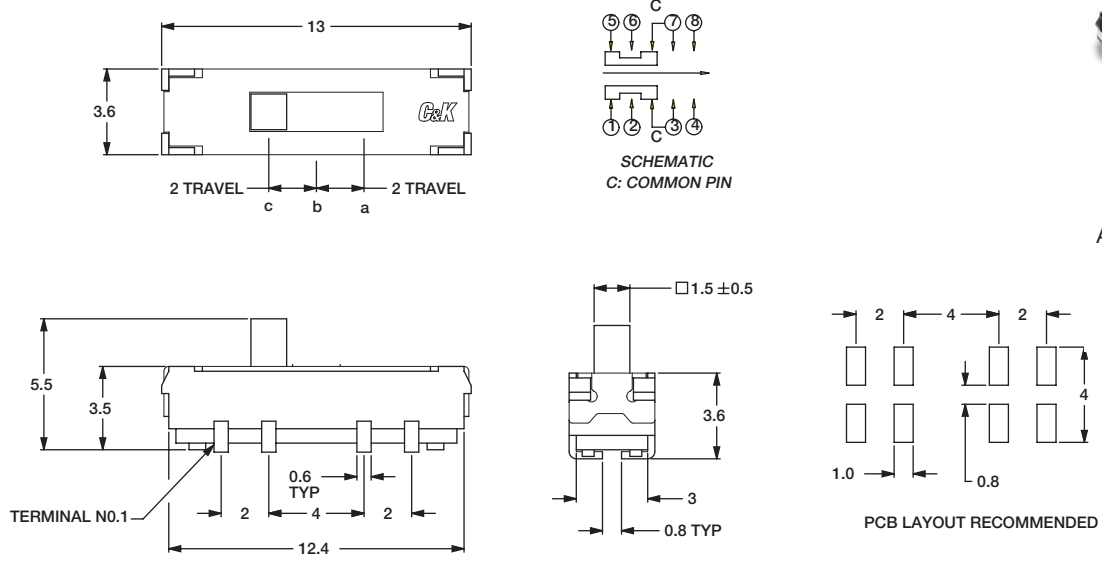
VERTICAL MOUNT SMT - J BEND

NEW



Part Number
JS203011JCQN
DP3T

Available in tape & reel
only, see page I-60



Slide

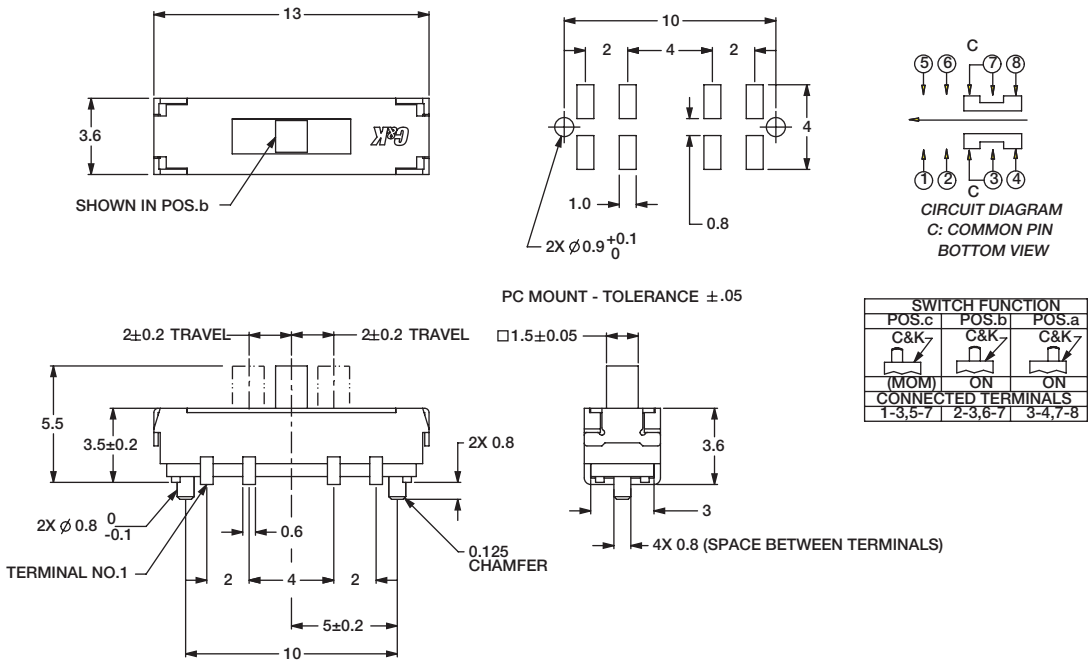
SURFACE MOUNT - J BEND

NEW



Part Number
JS207011JCQNR
SP3T

Available in tape & reel
only, see page I-58

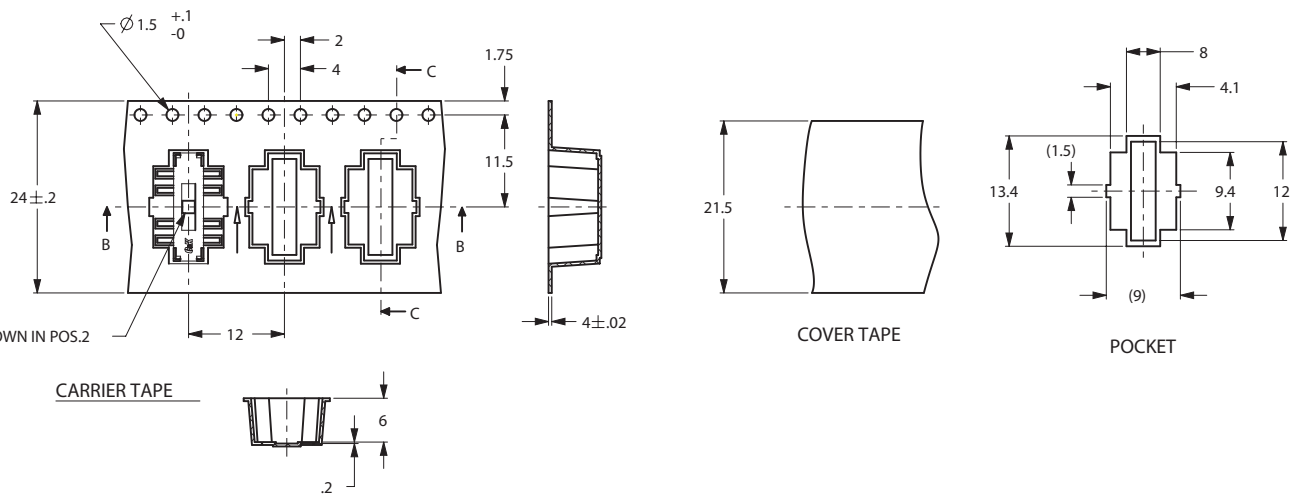
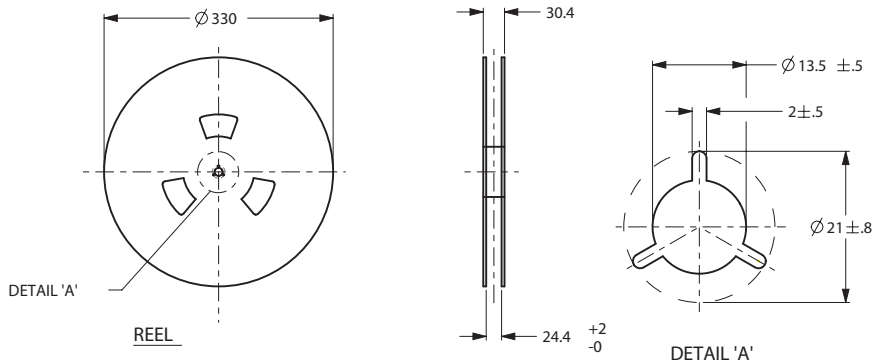


JS Series Sub-Miniature Slide Switches

TAPE AND REEL FOR PART NUMBER JS207011SCQNR, JS207011JCQNR

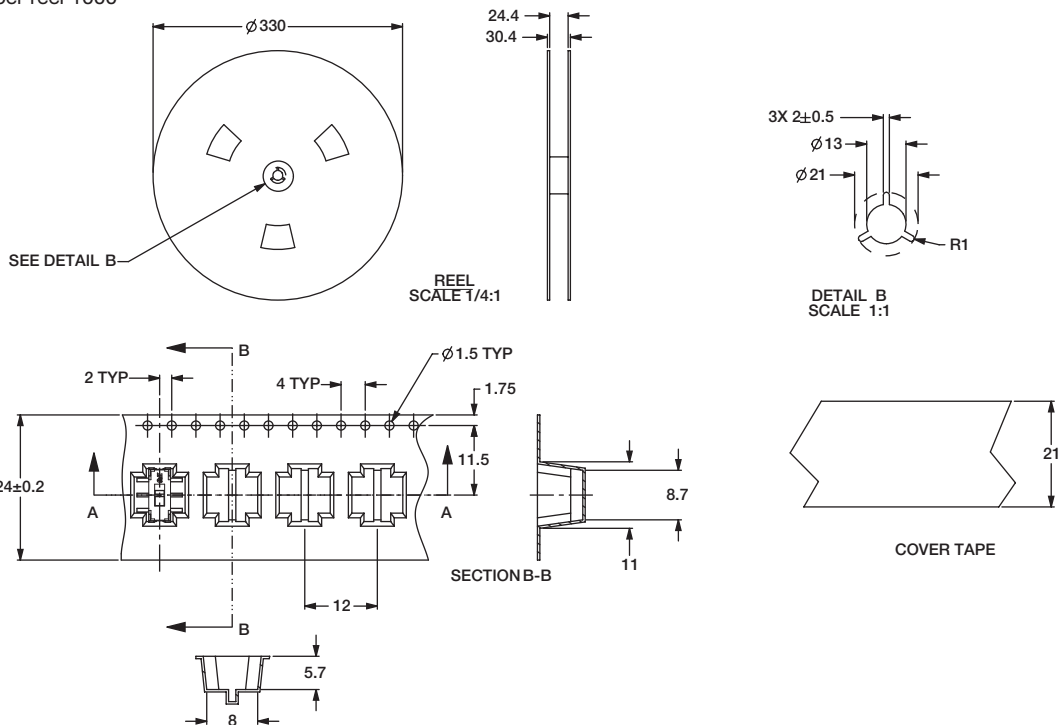
Quantity per reel 800

PACKING DETAIL 800 PCS



TAPE AND REEL FOR PART NUMBER JS202011SCQN

Quantity per reel 1000

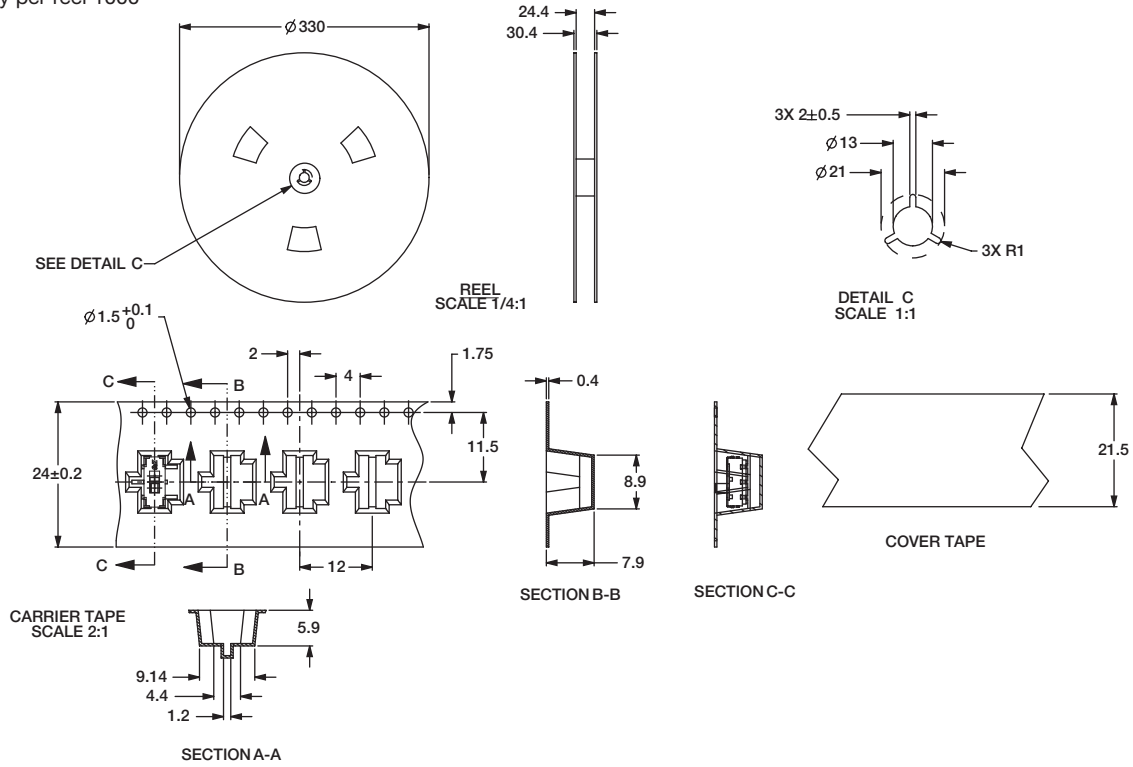


Slide

JS Series Sub-Miniature Slide Switches

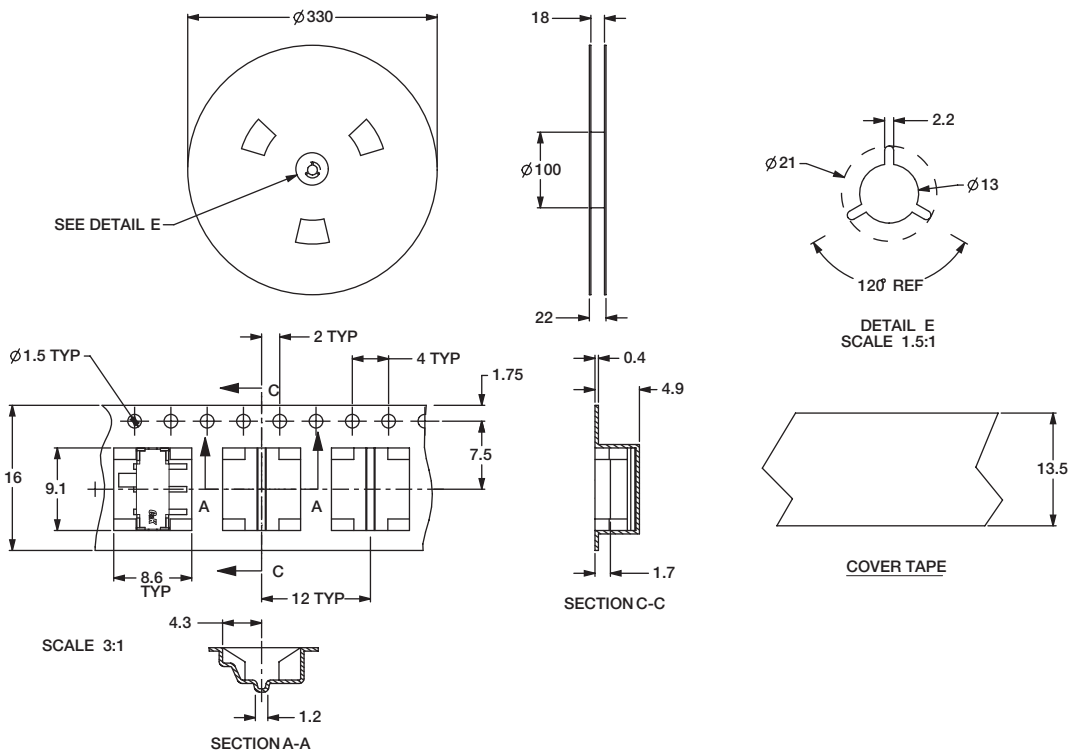
TAPE AND REEL FOR PART NUMBER JS102011SCQN, JS102011JCQN

Quantity per reel 1000



TAPE AND REEL FOR PART NUMBER JS102011SAQN, JS102011JAQN

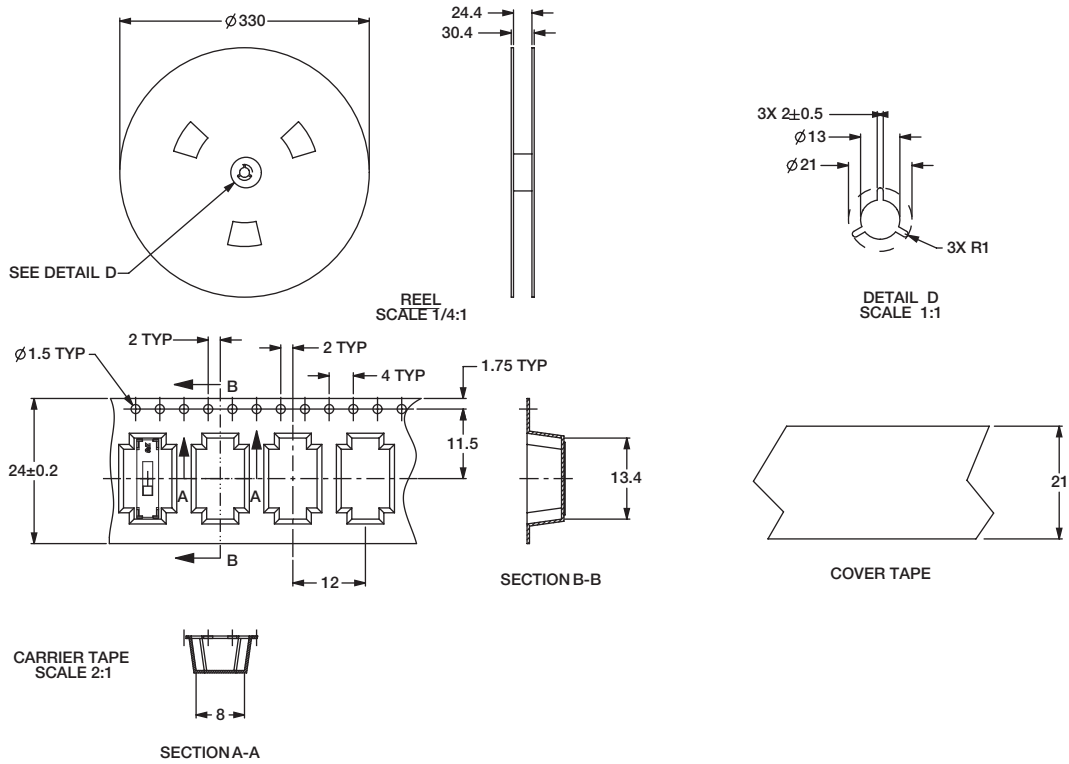
Quantity per reel 1000



Dimensions are shown: mm
Specifications and dimensions subject to change

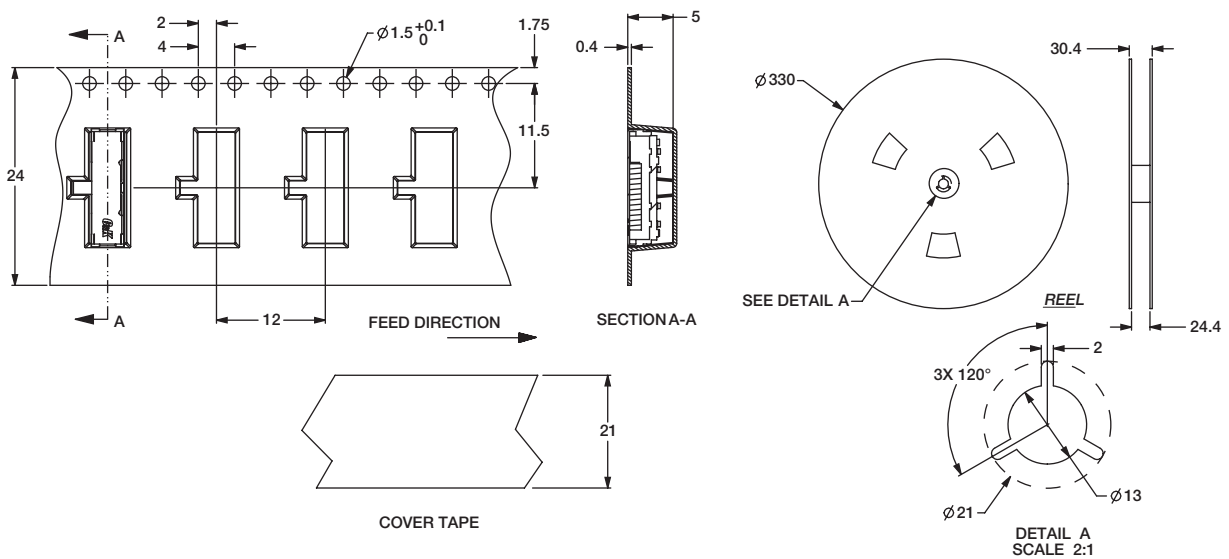
JS Series Sub-Miniature Slide Switches

TAPE AND REEL FOR PART NUMBER JS203011SCQN, JS203011JCQN
Quantity per reel 900



TAPE AND REEL FOR PART NUMBER JS203011JAQN

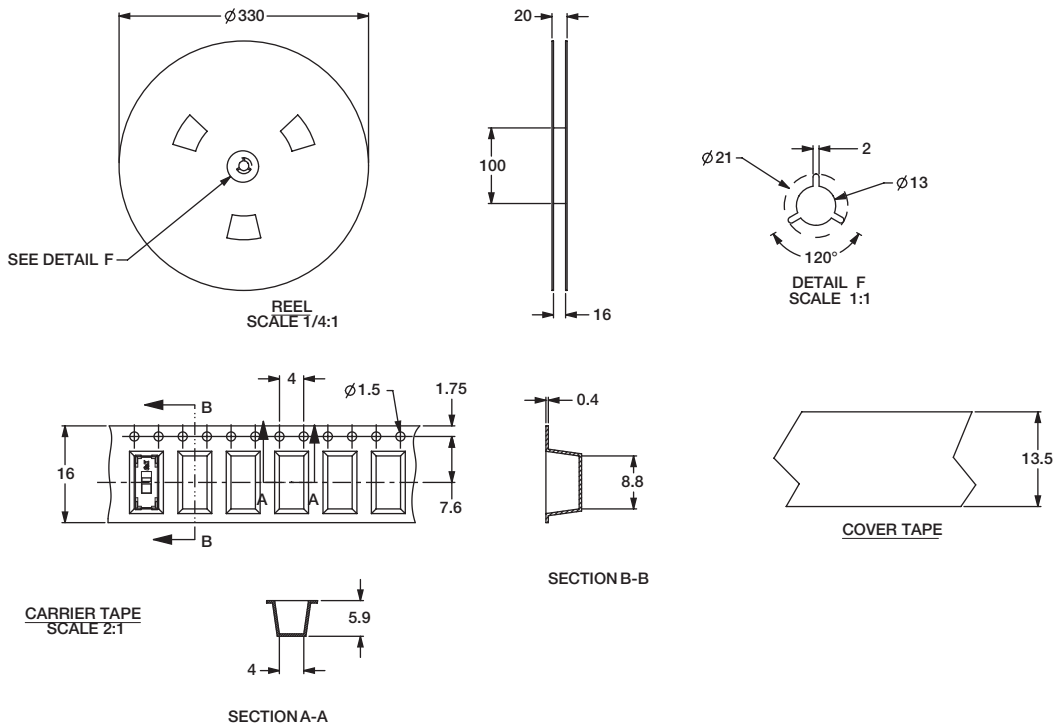
Quantity per reel 1000



JS Series Sub-Miniature Slide Switches

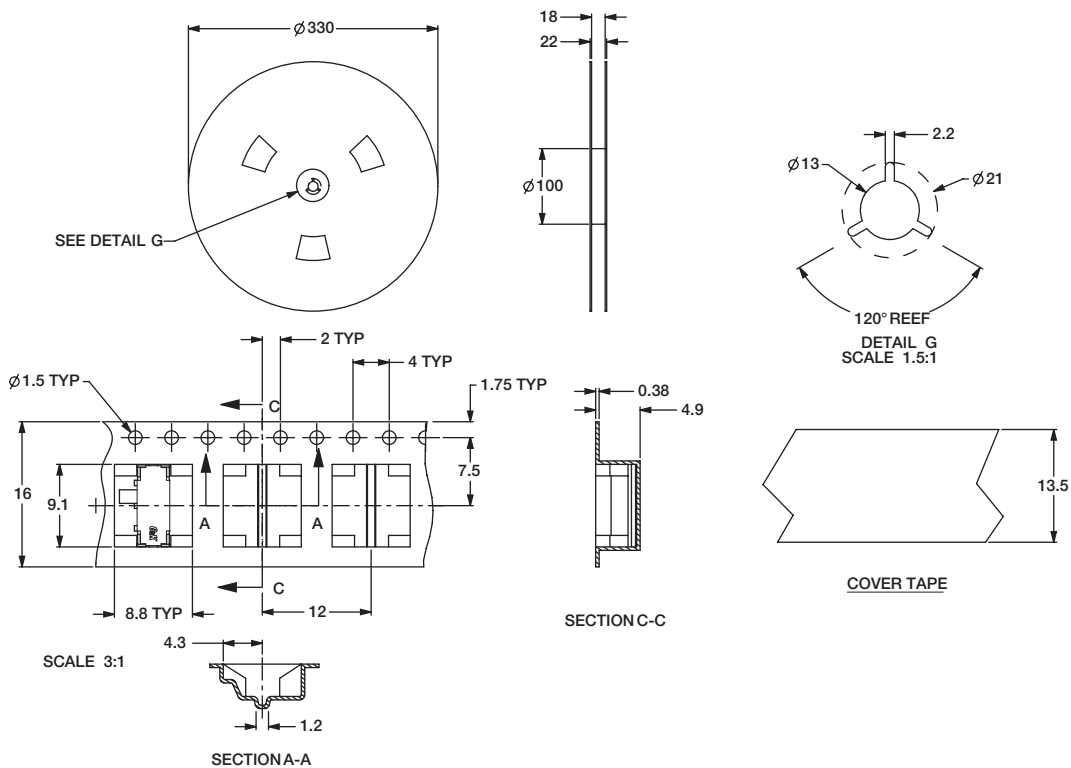
**TAPE AND REEL FOR
PART NUMBER JS202011JCQN**

Quantity per reel 1300



TAPE AND REEL FOR PART NUMBER JS202011JAQN

Quantity per reel 1000



JS Series Sub-Miniature Slide Switches

RIGHT ANGLE SURFACE MOUNT

LOW PROFILE .028±.004 (0.7±0.1) HIGH



Part Number
JS102000SAQN
SPDT

Specifications

CONTACT RATING: 5 VDC @ 1mA

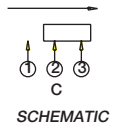
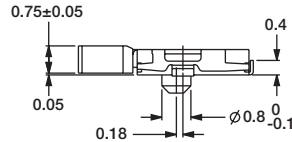
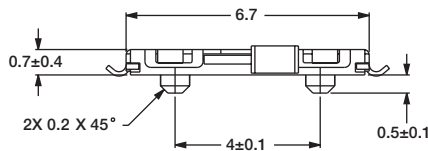
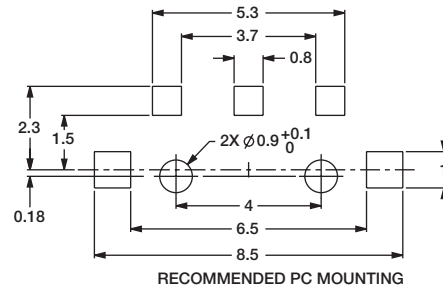
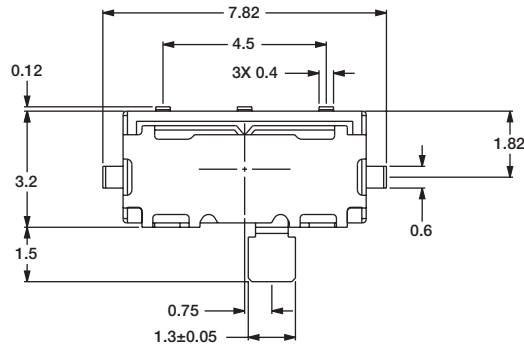
ELECTRICAL LIFE: 15,000 cycles.

CONTACT RESISTANCE: <100 m ohms (initial) <200 m ohms (after processing).

INSULATION RESISTANCE: 100 m ohms @500 VDC.

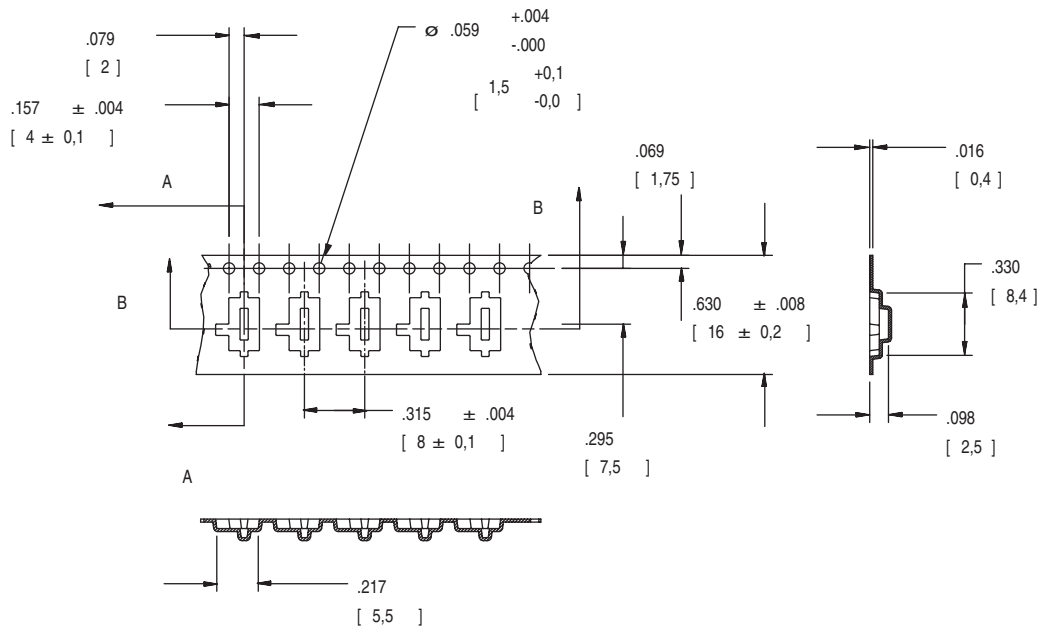
DIELECTRIC STRENGTH: 250 VAC.

OPERATING TEMPERATURE: -40°C to +85°C



TAPE AND REEL FOR PART NUMBER JS102000SAQN

Quantity per reel 4000





Компания «ЭлектроПласт» предлагает заключение долгосрочных отношений при поставках импортных электронных компонентов на взаимовыгодных условиях!

Наши преимущества:

- Оперативные поставки широкого спектра электронных компонентов отечественного и импортного производства напрямую от производителей и с крупнейших мировых складов;
- Поставка более 17-ти миллионов наименований электронных компонентов;
- Поставка сложных, дефицитных, либо снятых с производства позиций;
- Оперативные сроки поставки под заказ (от 5 рабочих дней);
- Экспресс доставка в любую точку России;
- Техническая поддержка проекта, помощь в подборе аналогов, поставка прототипов;
- Система менеджмента качества сертифицирована по Международному стандарту ISO 9001;
- Лицензия ФСБ на осуществление работ с использованием сведений, составляющих государственную тайну;
- Поставка специализированных компонентов (Xilinx, Altera, Analog Devices, Intersil, Interpoint, Microsemi, Aeroflex, Peregrine, Syfer, Eurofarad, Texas Instrument, Miteq, Cobham, E2V, MA-COM, Hittite, Mini-Circuits, General Dynamics и др.);

Помимо этого, одним из направлений компании «ЭлектроПласт» является направление «Источники питания». Мы предлагаем Вам помощь Конструкторского отдела:

- Подбор оптимального решения, техническое обоснование при выборе компонента;
- Подбор аналогов;
- Консультации по применению компонента;
- Поставка образцов и прототипов;
- Техническая поддержка проекта;
- Защита от снятия компонента с производства.



Как с нами связаться

Телефон: 8 (812) 309 58 32 (многоканальный)

Факс: 8 (812) 320-02-42

Электронная почта: org@eplast1.ru

Адрес: 198099, г. Санкт-Петербург, ул. Калинина, дом 2, корпус 4, литера А.