

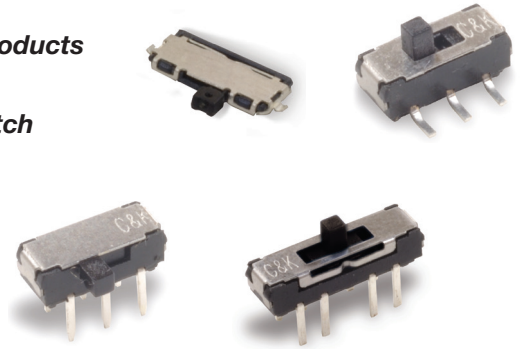
# JS Series Sub-Miniature Slide Switches

## Features/Benefits

- Positive detent
- Low profile
- IR reflow to 260° solder profile
- Surface and thru hole mounting
- SPDT, DPDT, DP3T models
- RoHS compliant

## Typical Applications

- Telecommunication products
- Computer peripherals
- Thermostat select switch
- Instrumentations



## Specifications

CONTACT RATING: 6 VDC @ 0.3A  
 ELECTRICAL LIFE: 5,000 make-and-break cycles  
 CONTACT RESISTANCE: 70 m Ω max.  
 INSULATION RESISTANCE: 100 M Ω min. @ 500V.  
 DIELECTRIC STRENGTH: 500 VAC min. @ sea level.  
 OPERATING TEMPERATURE: -40°C to +85°C  
 STORAGE TEMPERATURE: -40°C to +85°C

**NOTE:** Specifications and materials listed above are for switches with standard options.  
 For information on specific and custom switches, consult Customer Service Center.

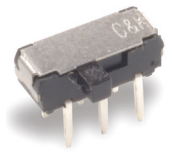
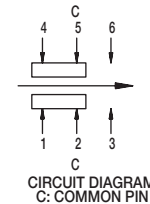
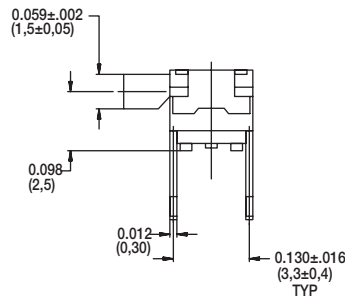
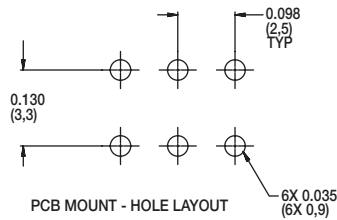
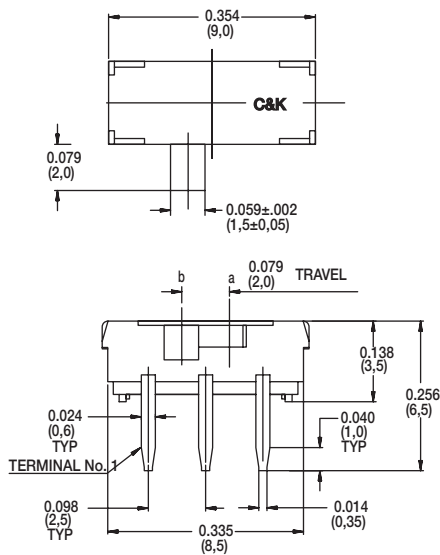
## Materials

HOUSING: 4/6 nylon (UL94V-2), black.  
 ACTUATOR: 4/6 nylon (UL94V-2), black (some options white).  
 CONTACTS: Copper alloy, silver plated.  
 TERMINALS: Brass, silver plated



Slide

## RIGHT ANGLE, PC THRU-HOLE



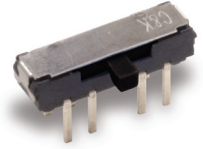
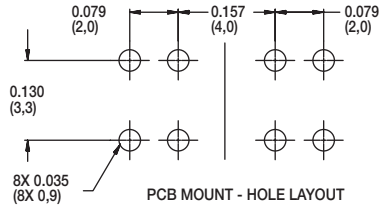
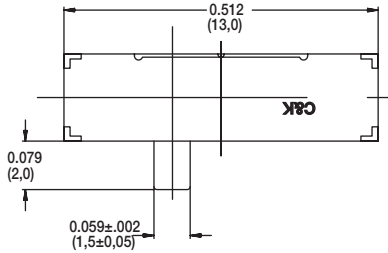
Part Number  
 JS202011AQN  
 DPDT

Shown in position b

Shown in position b

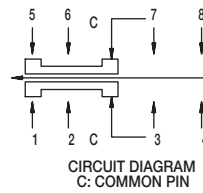
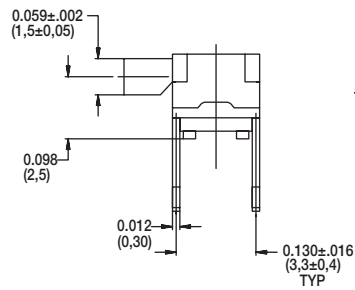
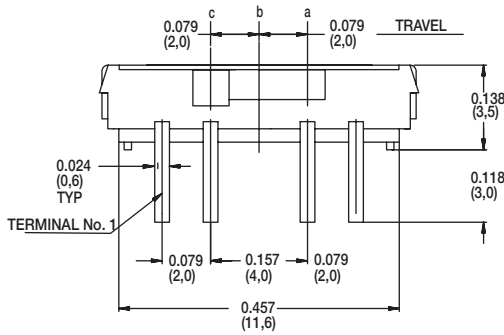
# JS Series Sub-Miniature Slide Switches

RIGHT ANGLE, PC THRU-HOLE



Part Number  
JS203011AQN  
**DP3T**

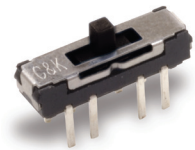
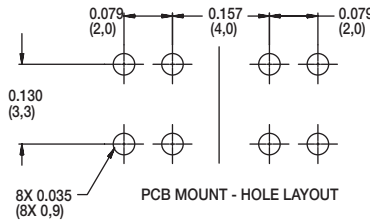
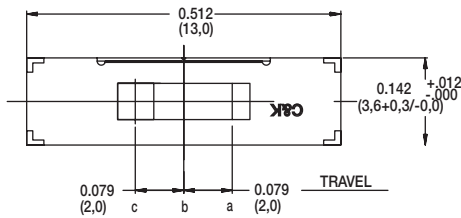
Shown in position b



CIRCUIT DIAGRAM  
C: COMMON PIN

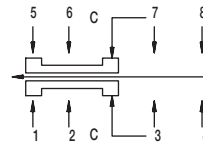
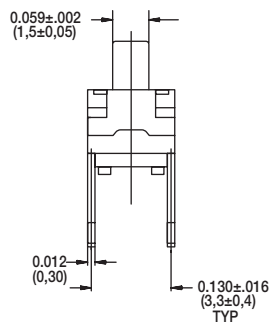
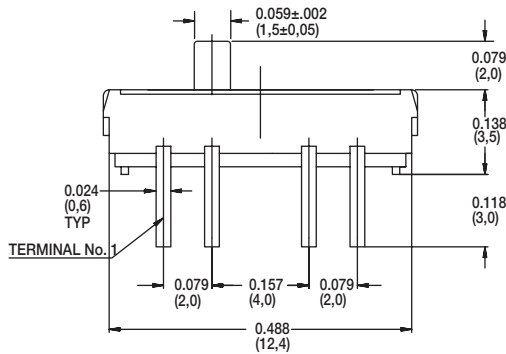
Shown in position c

PC THRU-HOLE



Part Number  
JS203011CQN  
**DP3T**

Shown in position b



CIRCUIT DIAGRAM  
C: COMMON PIN

Shown in position c



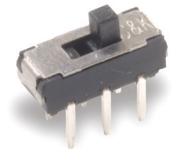
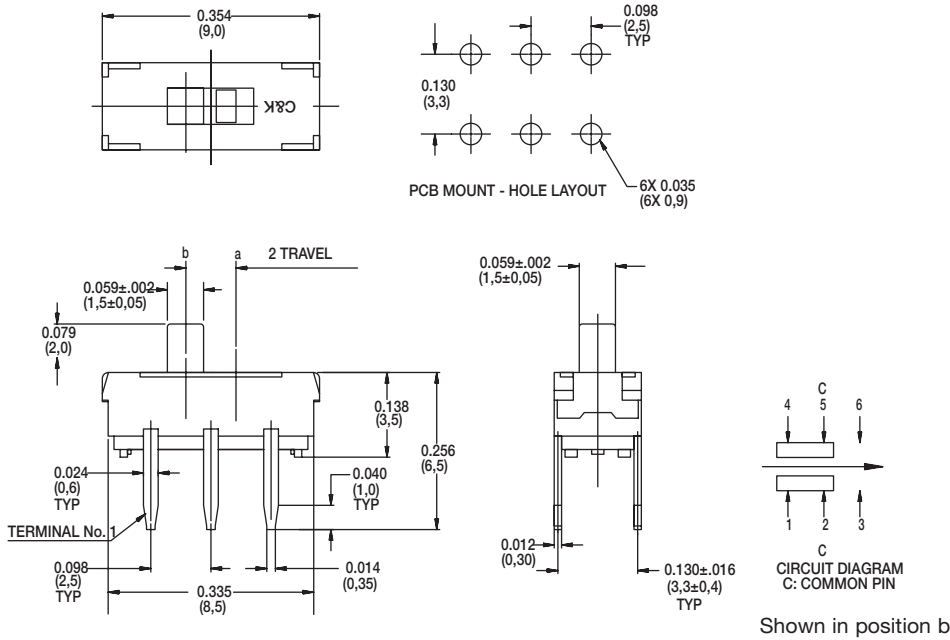
Third Angle  
Projection

Dimensions are shown: Inch (mm)  
Specifications and dimensions subject to change

Slide

# JS Series Sub-Miniature Slide Switches

## PC THRU-HOLE



Part Number  
JS202011CQN  
DPDT

Shown in position a

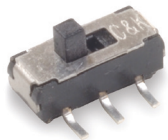
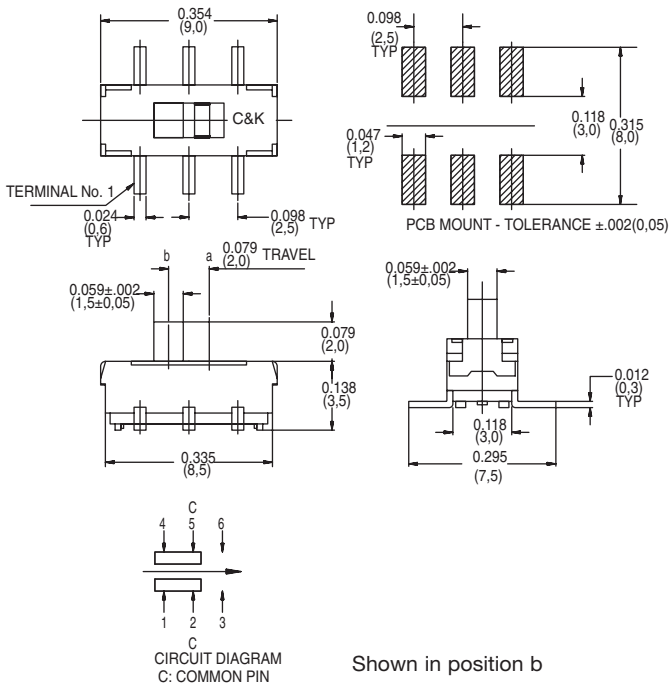


Slide

## SURFACE MOUNT

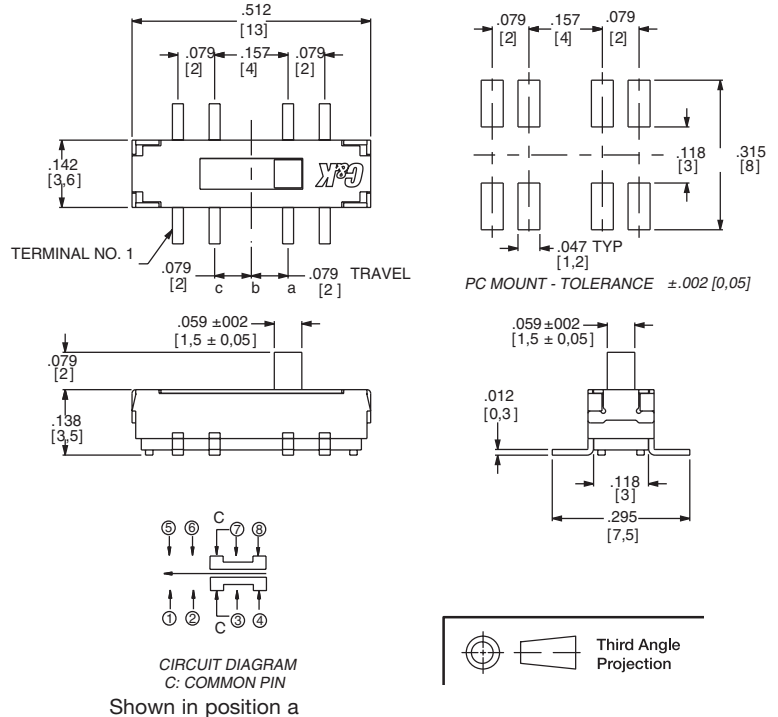
Part number  
JS202011SCQN  
DPDT

Shown in position b. Quantity per reel 1000  
Available in tape & reel only, see page I-58



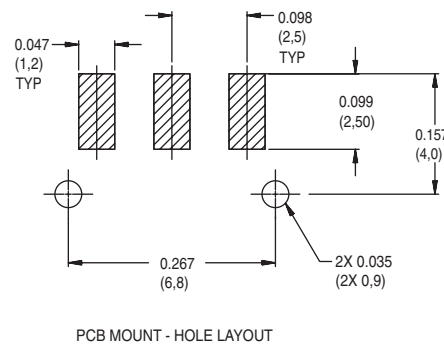
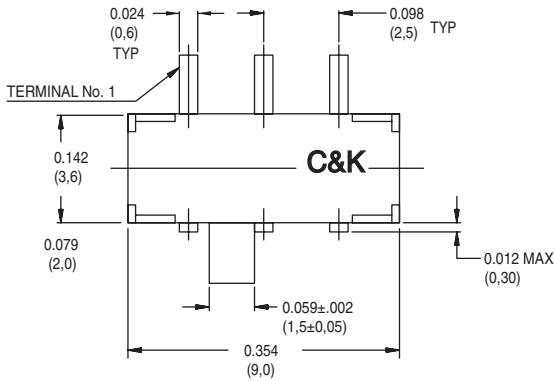
Part number  
JS203011SCQN  
DP3T

Quantity per reel 900  
Available in tape & reel only, see page I-60



# JS Series Sub-Miniature Slide Switches

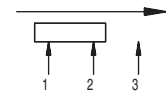
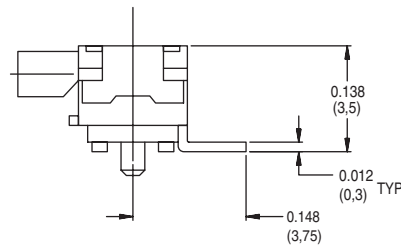
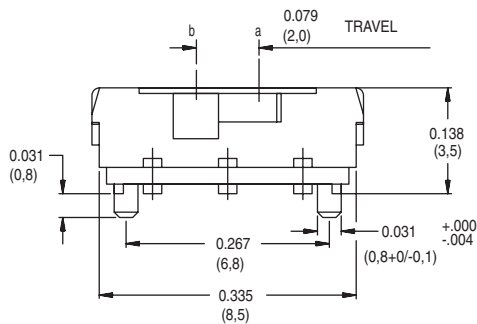
## RIGHT ANGLE SURFACE MOUNT



Part Number  
JS102011SAQN  
SPDT

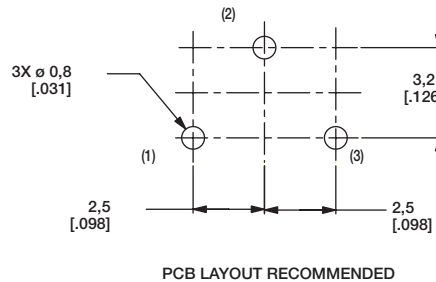
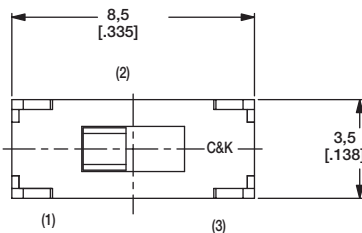
Shown in position a

Available in tape & reel only, see page I-59



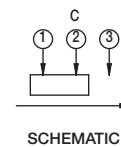
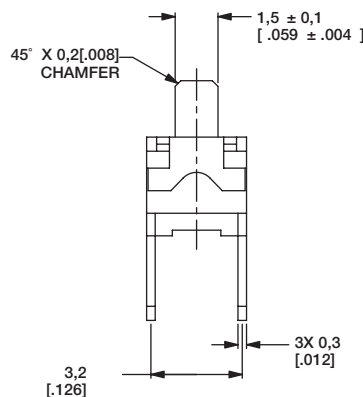
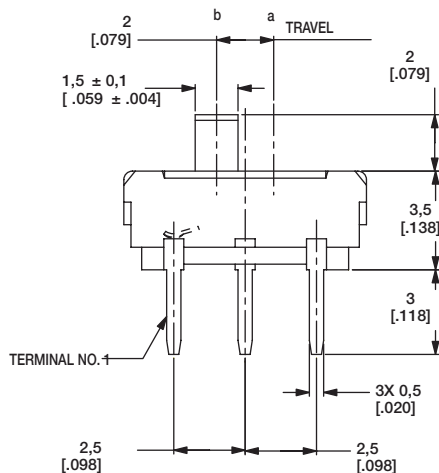
Shown in position b

## PC THRU-HOLE



Part Number  
JS102011CQN  
SPDT

Shown in position a

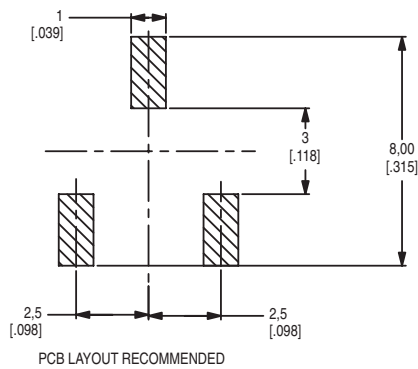
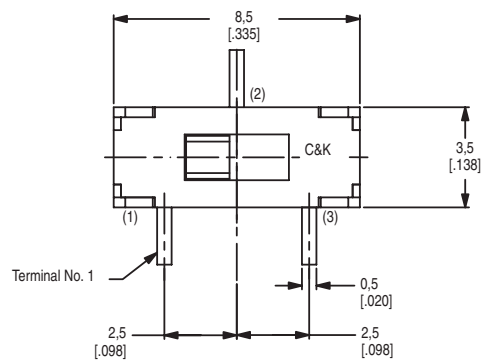


Shown in position b

Slide

# JS Series Sub-Miniature Slide Switches

## SURFACE MOUNT



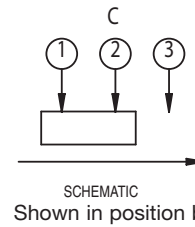
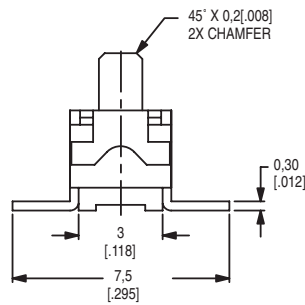
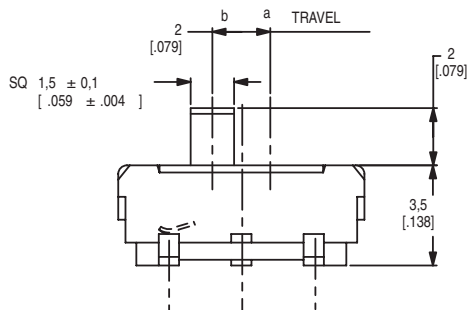
Part Number  
JS102011SCQN  
**SPDT**

Shown in position a

Available in tape & reel  
only, see page I-59

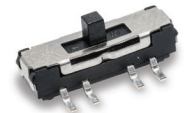
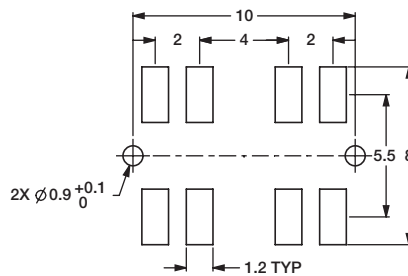
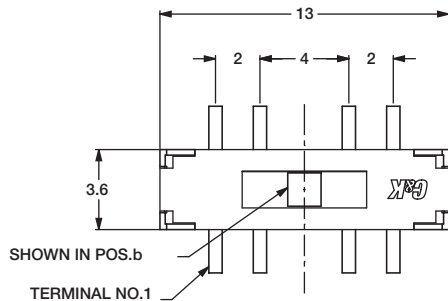


Slide



## SURFACE MOUNT

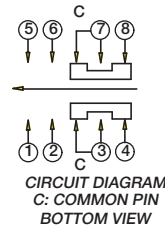
**NEW**



Part Number  
JS207011SCQNR  
**DP3T**

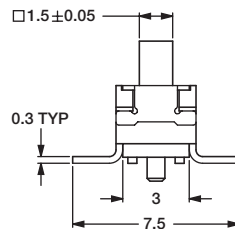
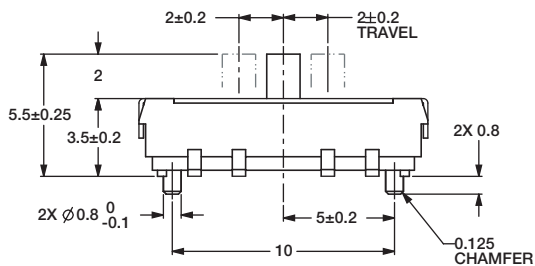
Shown in position b

Available in tape & reel  
only, see page I-58



CIRCUIT DIAGRAM  
C: COMMON PIN  
BOTTOM VIEW

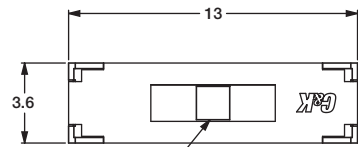
SWITCH FUNCTION		
POS.c	POS.b	POS.a
(MOM)	ON	ON
CONNECTED TERMINALS		
1-3,5-7	2-3,6-7	3-4,7-8



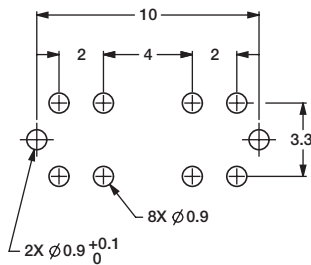
Third Angle  
Projection  
Dimensions are shown: Inches (mm)  
Specifications and dimensions subject to change

# JS Series Sub-Miniature Slide Switches

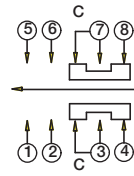
## PC THRU-HOLE



SHOWN IN POS.b



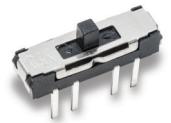
PC MOUNT - TOLERANCE  $\pm 0.05$



CIRCUIT DIAGRAM  
C: COMMON PIN  
BOTTOM VIEW

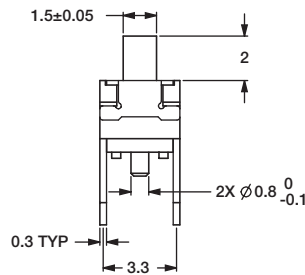
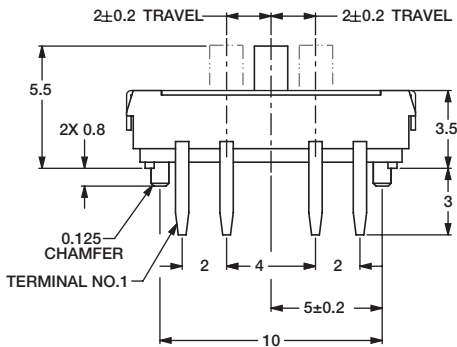
SWITCH FUNCTION		
POS.c	POS.b	POS.a
CONNECTED TERMINALS		
1-3,5-7	2-3,6-7	3-4,7-8

**NEW**

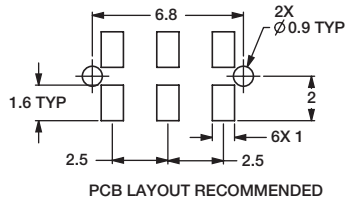
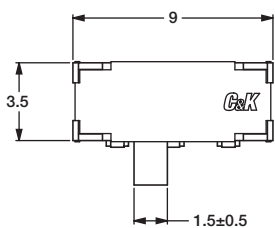


Part Number  
JS207011CQNR  
**DP3T**

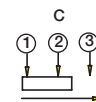
Shown in position b



## RIGHT ANGLE SURFACE MOUNT



PCB LAYOUT RECOMMENDED



CIRCUIT DIAGRAM  
C: COMMON PIN  
BOTTOM VIEW

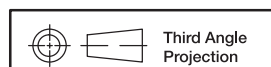
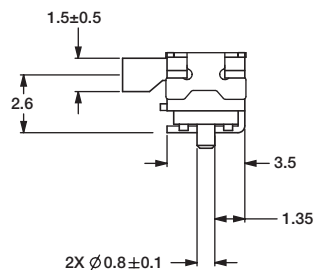
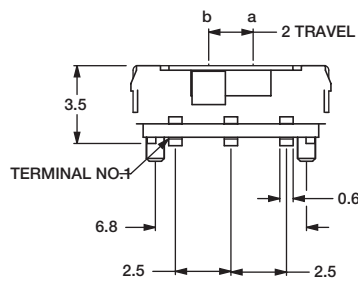
**NEW**



Part Number  
JS102011JAQN  
**SPDT**

Shown in position

Available in tape & reel  
only, see page I-59



Third Angle  
Projection  
Dimensions are shown: mm  
Specifications and dimensions subject to change

# JS Series Sub-Miniature Slide Switches

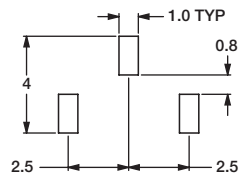
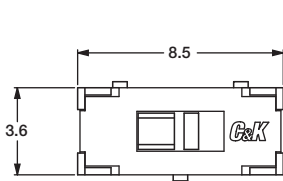
## VERTICAL MOUNT SMT - J BEND

**NEW**

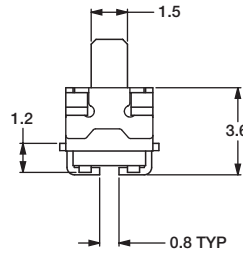
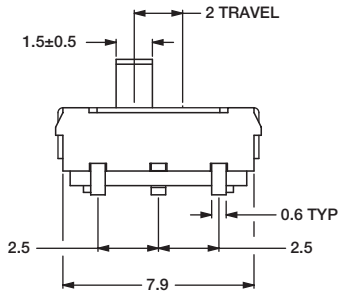
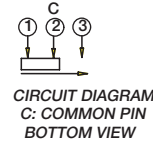


Part Number  
JS102011JCQN  
**SPDT**

Available in tape & reel  
only, see page I-59



PCB LAYOUT RECOMMENDED



## RIGHT ANGLE SURFACE MOUNT

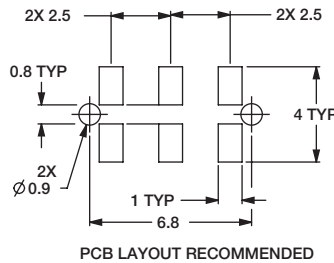
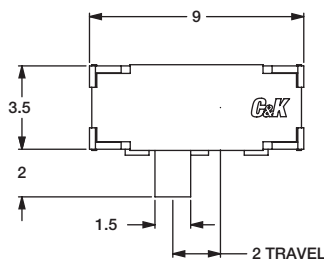
**NEW**



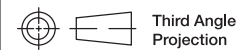
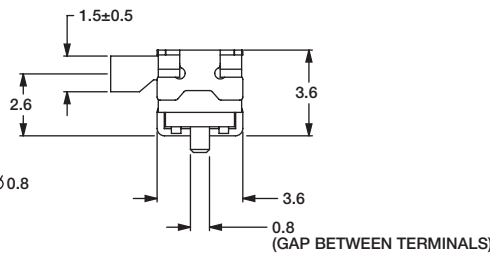
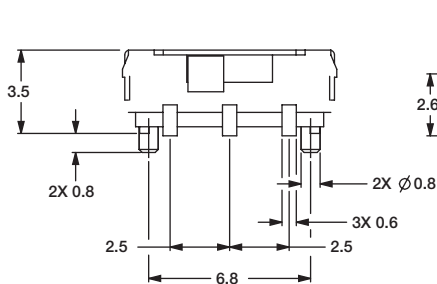
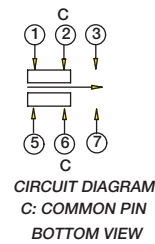
Part Number  
JS202011JAQN  
**DPDT**

Shown in position

Available in tape & reel  
only, see page I-61



PCB LAYOUT RECOMMENDED

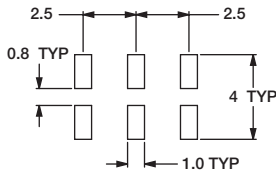
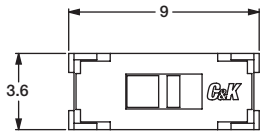


Third Angle  
Projection

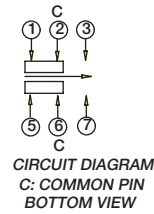
Dimensions are shown: mm  
Specifications and dimensions subject to change

# JS Series Sub-Miniature Slide Switches

## VERTICAL MOUNT SMT - J BEND



PCB LAYOUT RECOMMENDED



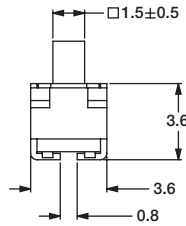
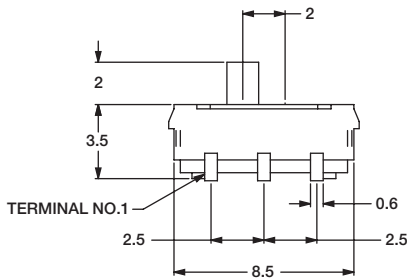
CIRCUIT DIAGRAM  
C: COMMON PIN  
BOTTOM VIEW



Part Number  
JS202011JCQN  
**DPDT**

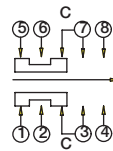
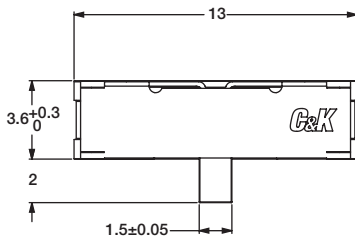
Shown in position

Available in tape & reel  
only, see page I-61



Slide

## RIGHT ANGLE MOUNT SMT - J BEND



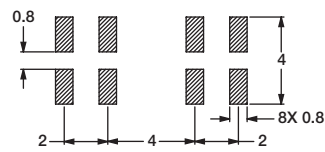
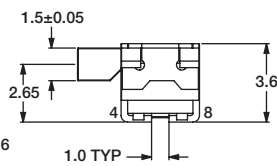
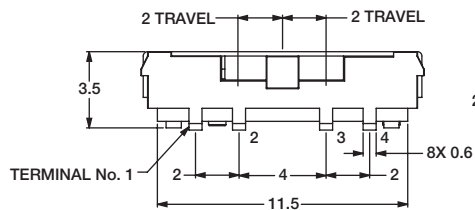
SCHEMATIC  
C: COMMON PIN



Part Number  
JS203011JAQN  
**DP3T**

Shown in position

Available in tape & reel  
only, see page I-60



PCB LAYOUT RECOMMENDED



Third Angle  
Projection

Dimensions are shown: mm  
Specifications and dimensions subject to change



# JS Series Sub-Miniature Slide Switches

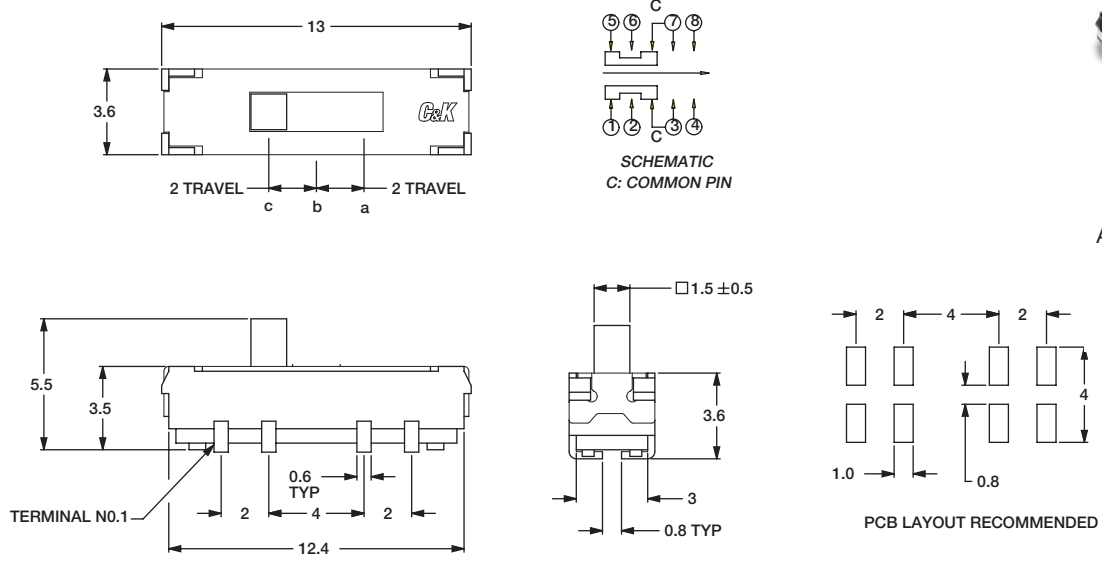
## VERTICAL MOUNT SMT - J BEND

**NEW**



Part Number  
JS203011JCQN  
**DP3T**

Available in tape & reel  
only, see page I-60



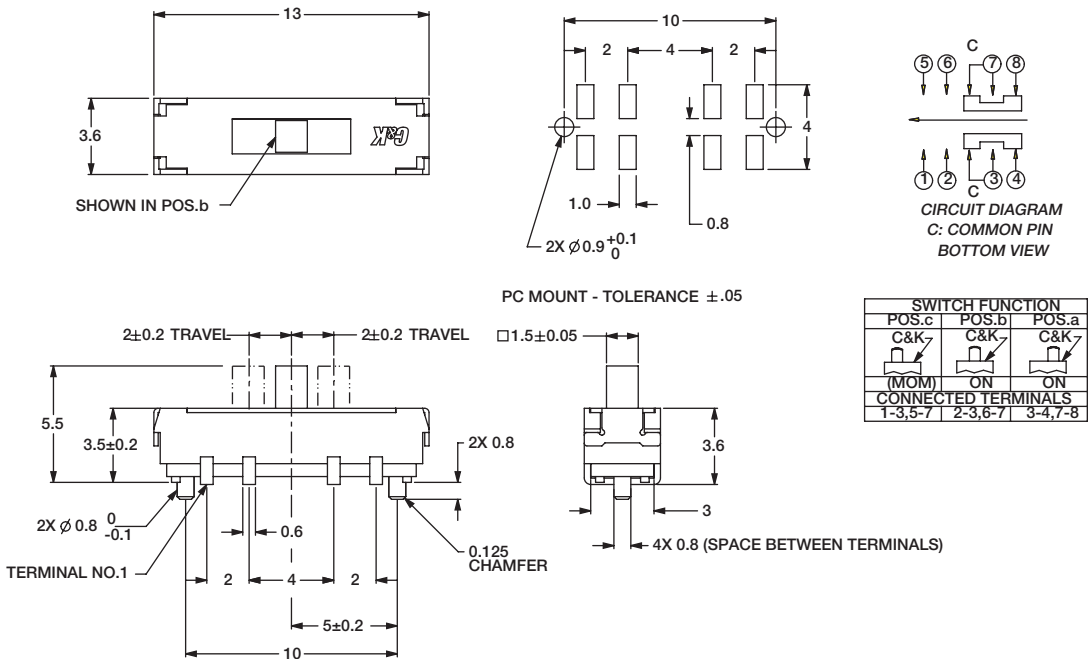
## SURFACE MOUNT - J BEND

**NEW**



Part Number  
JS207011JCQNR  
**SP3T**

Available in tape & reel  
only, see page I-58



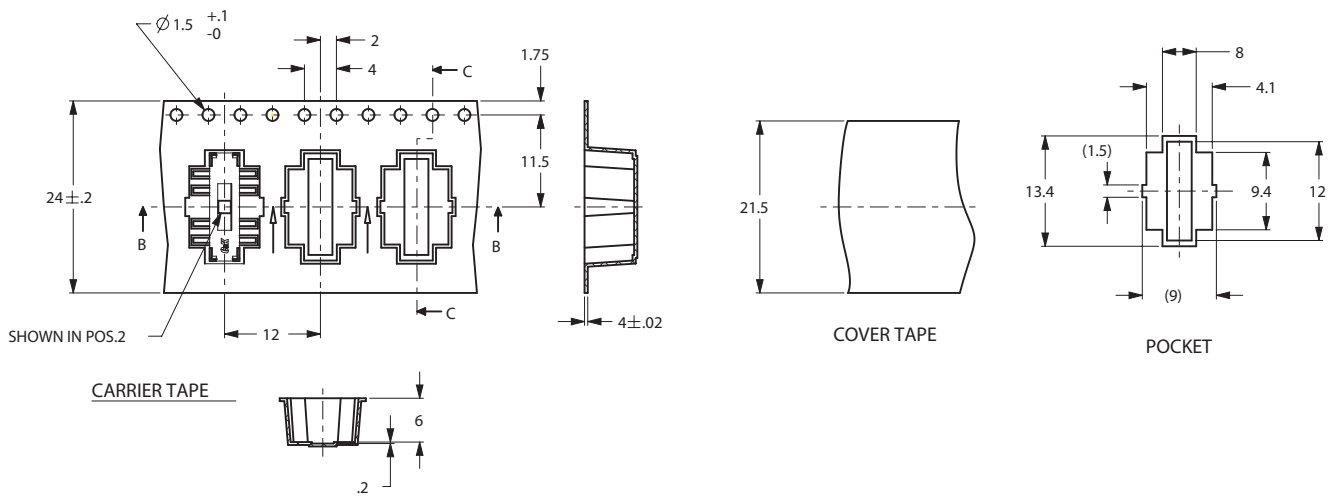
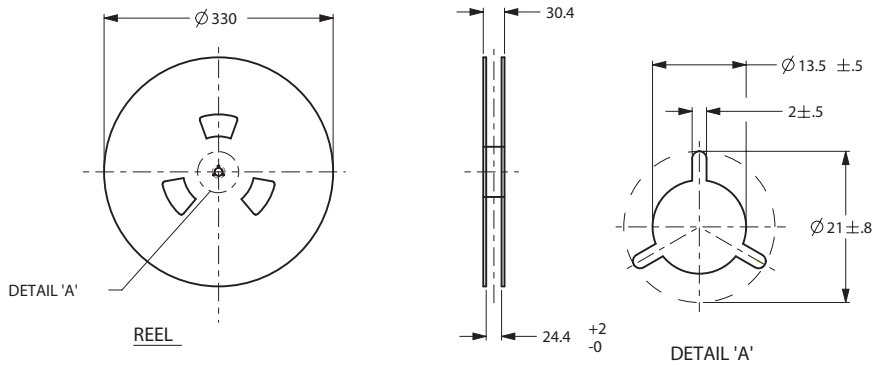
SWITCH FUNCTION		
POS.c	POS.b	POS.a
C&K- (MOM)	C&K- ON	C&K- ON
CONNECTED TERMINALS		
1-3,5-7	2-3,6-7	3-4,7-8

# JS Series Sub-Miniature Slide Switches

TAPE AND REEL FOR PART NUMBER JS207011SCQNR, JS207011JCQNR

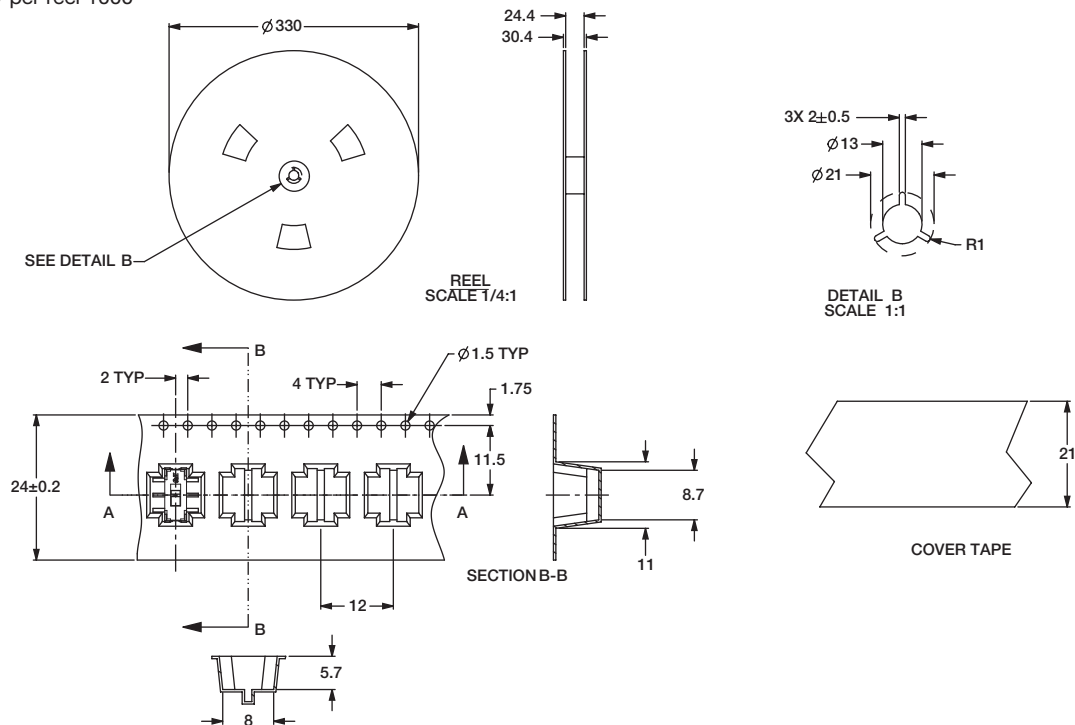
Quantity per reel 800

PACKING DETAIL 800 PCS



TAPE AND REEL FOR PART NUMBER JS202011SCQN

Quantity per reel 1000

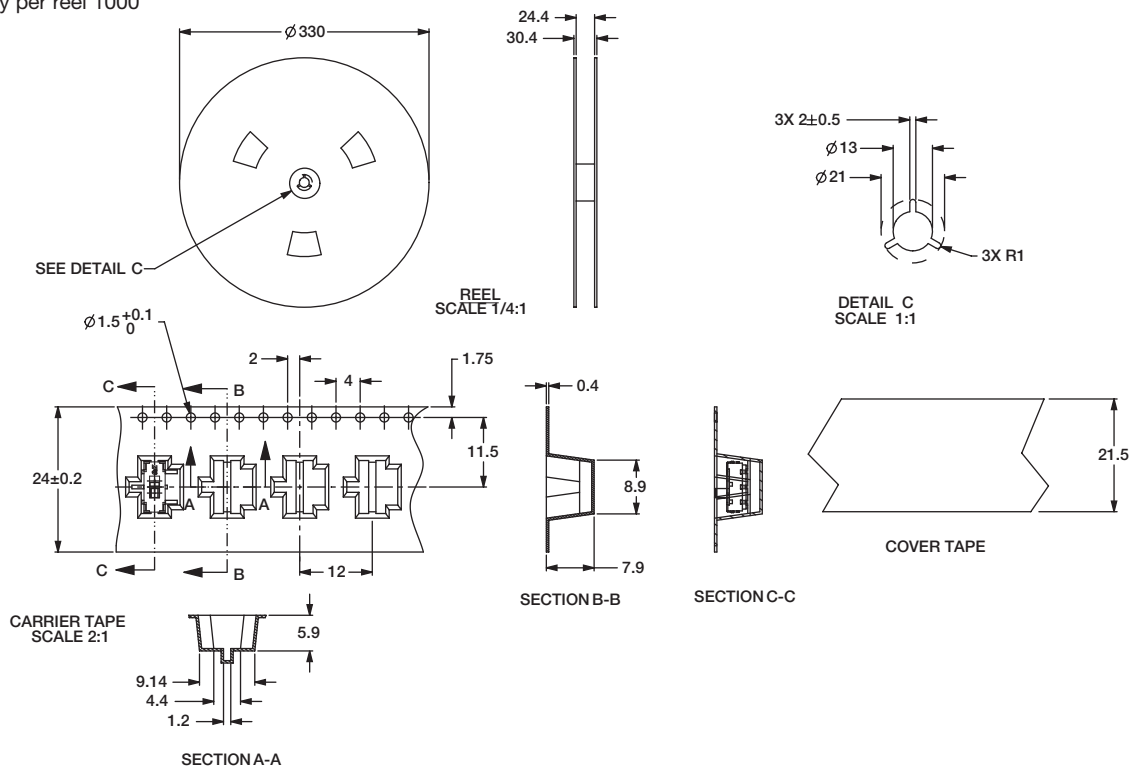


Slide

# JS Series Sub-Miniature Slide Switches

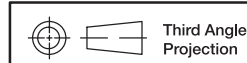
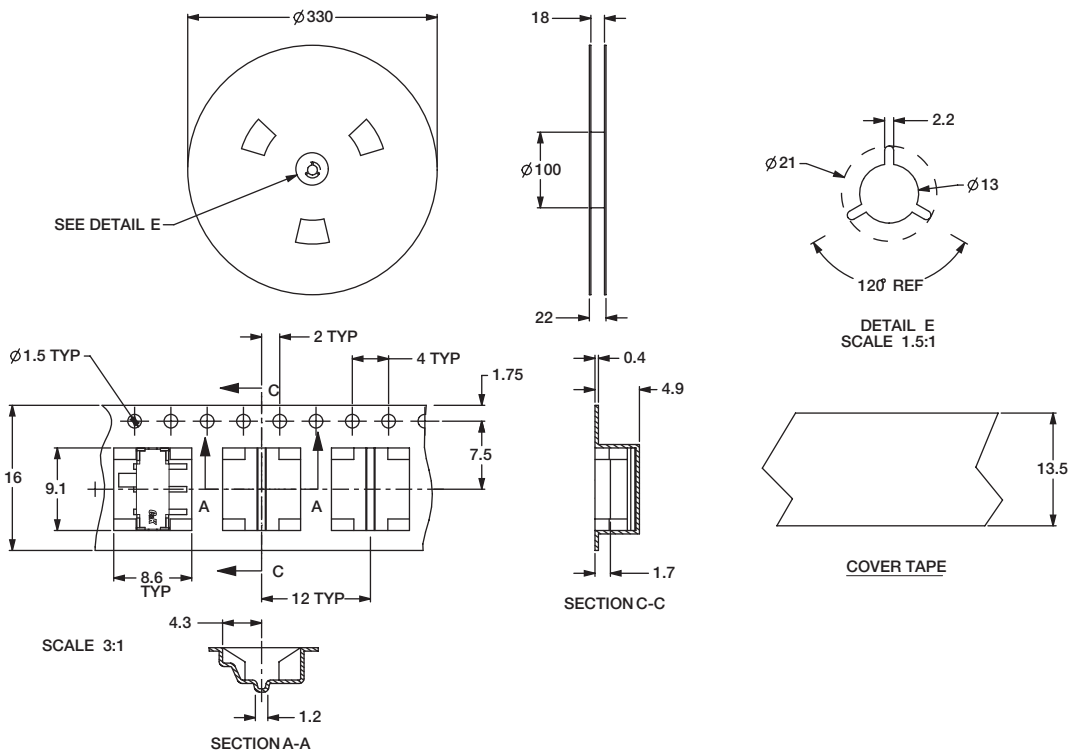
## TAPE AND REEL FOR PART NUMBER JS102011SCQN, JS102011JCQN

Quantity per reel 1000



## TAPE AND REEL FOR PART NUMBER JS102011SAQN, JS102011JAQN

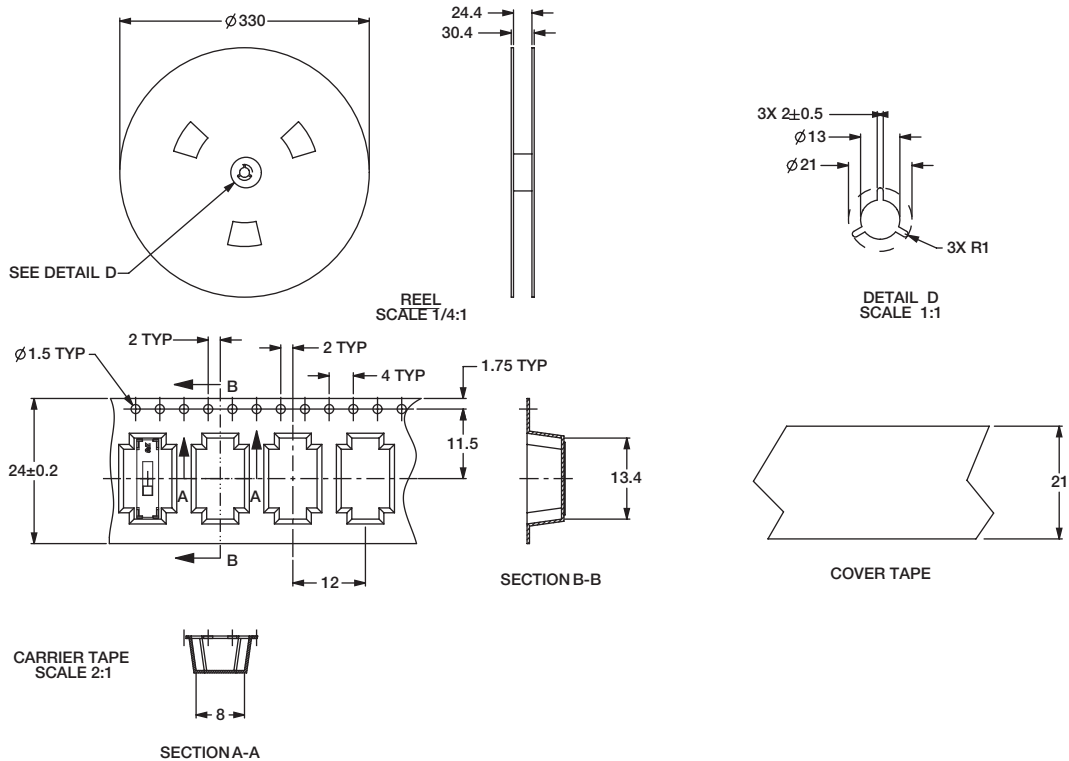
Quantity per reel 1000



Dimensions are shown: mm  
Specifications and dimensions subject to change

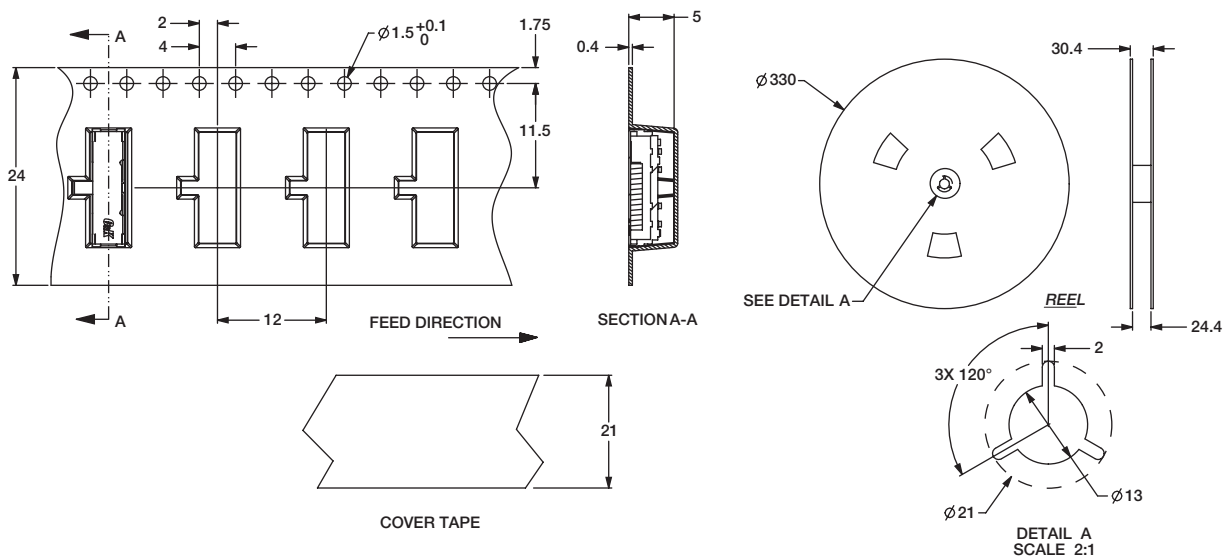
# JS Series Sub-Miniature Slide Switches

**TAPE AND REEL FOR PART NUMBER JS203011SCQN, JS203011JCQN**  
Quantity per reel 900



**TAPE AND REEL FOR PART NUMBER JS203011JAQN**

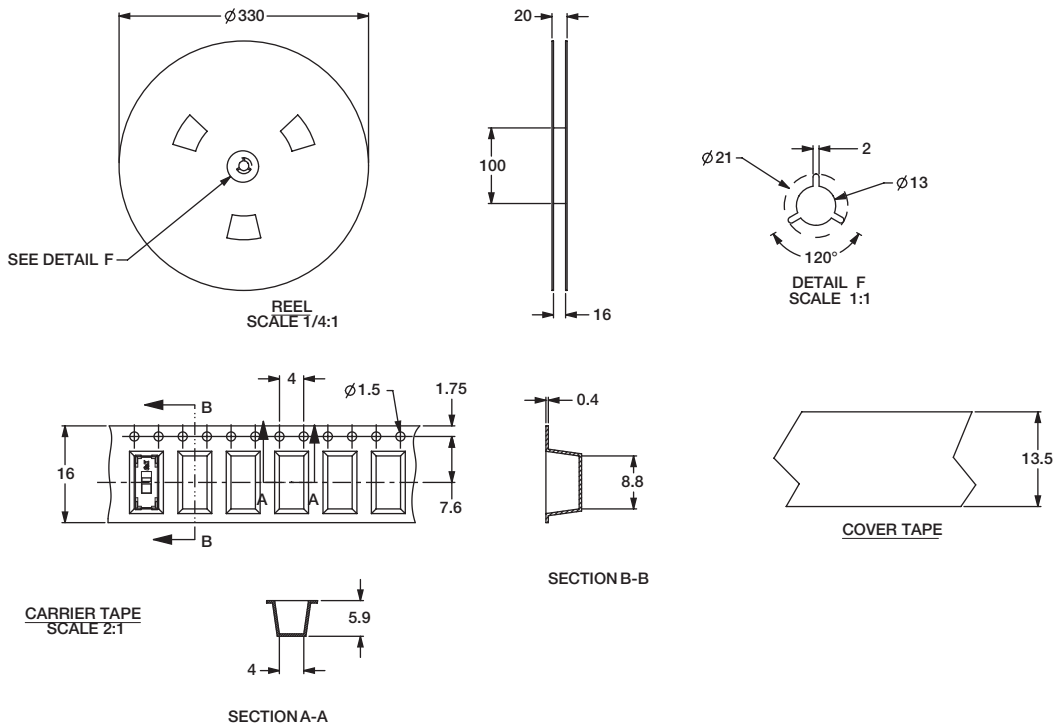
Quantity per reel 1000



# JS Series Sub-Miniature Slide Switches

## TAPE AND REEL FOR PART NUMBER JS202011JCQN

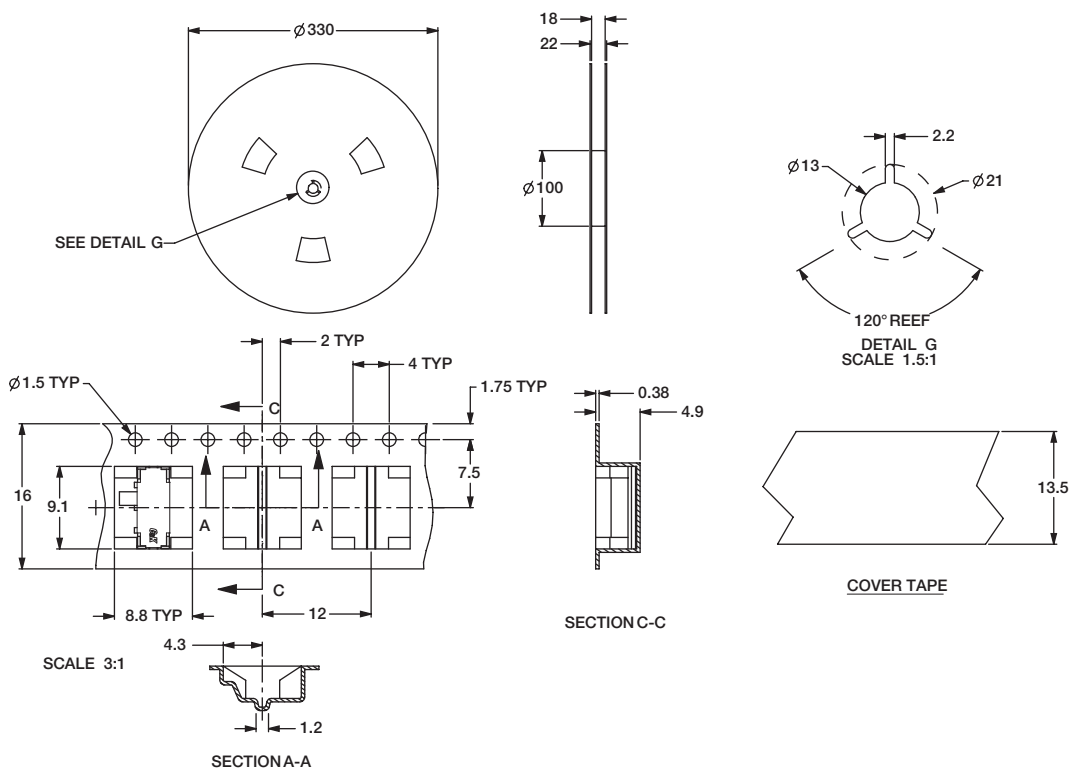
Quantity per reel 1300



Slide

## TAPE AND REEL FOR PART NUMBER JS202011JAQN

Quantity per reel 1000



# JS Series Sub-Miniature Slide Switches

## RIGHT ANGLE SURFACE MOUNT

LOW PROFILE .028±.004 (0.7±0.1) HIGH



Part Number  
JS102000SAQN  
SPDT

## Specifications

CONTACT RATING: 5 VDC @ 1mA

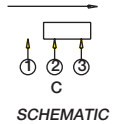
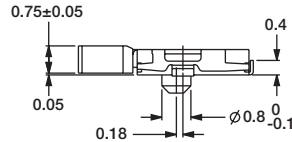
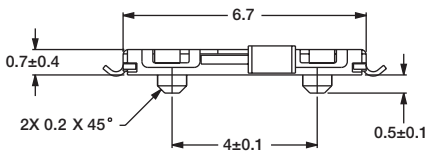
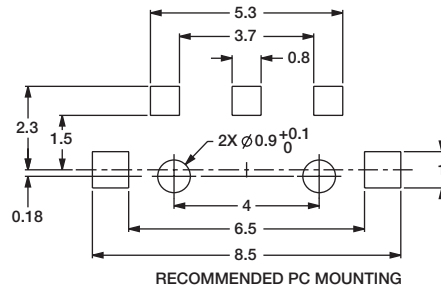
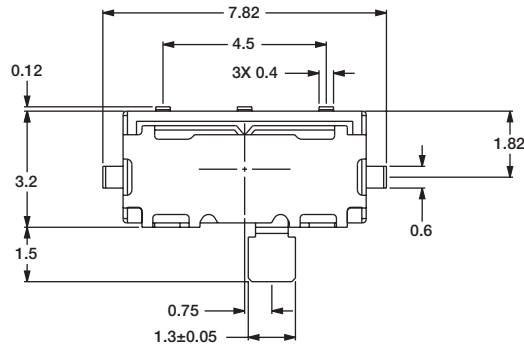
ELECTRICAL LIFE: 15,000 cycles.

CONTACT RESISTANCE: <100 m ohms (initial) <200 m ohms (after processing).

INSULATION RESISTANCE: 100 m ohms @500 VDC.

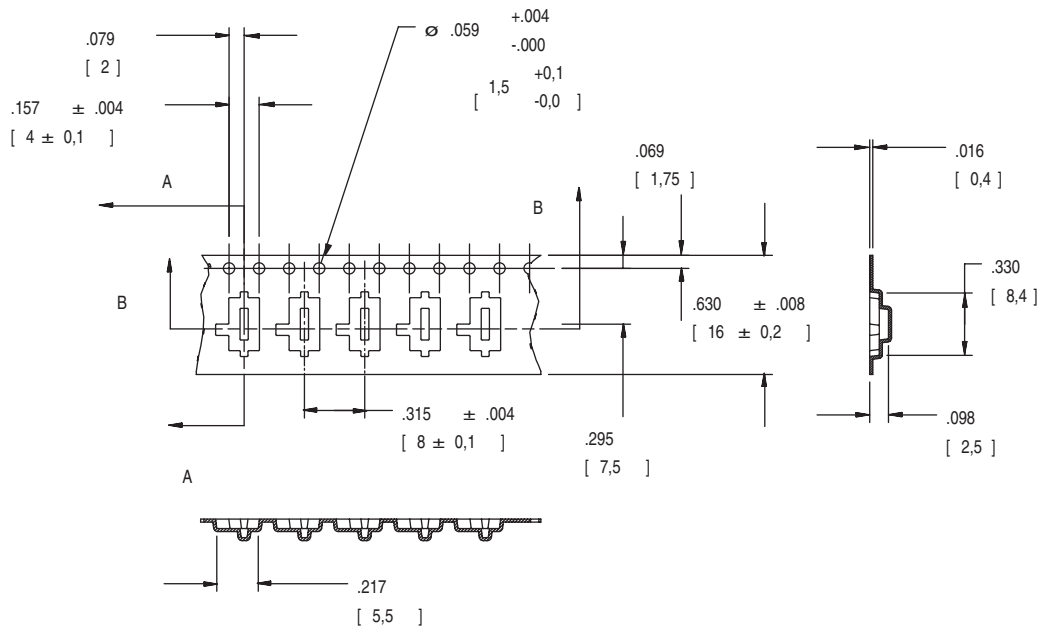
DIELECTRIC STRENGTH: 250 VAC.

OPERATING TEMPERATURE: -40°C to +85°C



## TAPE AND REEL FOR PART NUMBER JS102000SAQN

Quantity per reel 4000



Slide



Компания «ЭлектроПласт» предлагает заключение долгосрочных отношений при поставках импортных электронных компонентов на взаимовыгодных условиях!

Наши преимущества:

- Оперативные поставки широкого спектра электронных компонентов отечественного и импортного производства напрямую от производителей и с крупнейших мировых складов;
- Поставка более 17-ти миллионов наименований электронных компонентов;
- Поставка сложных, дефицитных, либо снятых с производства позиций;
- Оперативные сроки поставки под заказ (от 5 рабочих дней);
- Экспресс доставка в любую точку России;
- Техническая поддержка проекта, помощь в подборе аналогов, поставка прототипов;
- Система менеджмента качества сертифицирована по Международному стандарту ISO 9001;
- Лицензия ФСБ на осуществление работ с использованием сведений, составляющих государственную тайну;
- Поставка специализированных компонентов (Xilinx, Altera, Analog Devices, Intersil, Interpoint, Microsemi, Aeroflex, Peregrine, Syfer, Eurofarad, Texas Instrument, Miteq, Cobham, E2V, MA-COM, Hittite, Mini-Circuits, General Dynamics и др.);

Помимо этого, одним из направлений компании «ЭлектроПласт» является направление «Источники питания». Мы предлагаем Вам помощь Конструкторского отдела:

- Подбор оптимального решения, техническое обоснование при выборе компонента;
- Подбор аналогов;
- Консультации по применению компонента;
- Поставка образцов и прототипов;
- Техническая поддержка проекта;
- Защита от снятия компонента с производства.



#### Как с нами связаться

**Телефон:** 8 (812) 309 58 32 (многоканальный)

**Факс:** 8 (812) 320-02-42

**Электронная почта:** [org@eplast1.ru](mailto:org@eplast1.ru)

**Адрес:** 198099, г. Санкт-Петербург, ул. Калинина, дом 2, корпус 4, литера А.