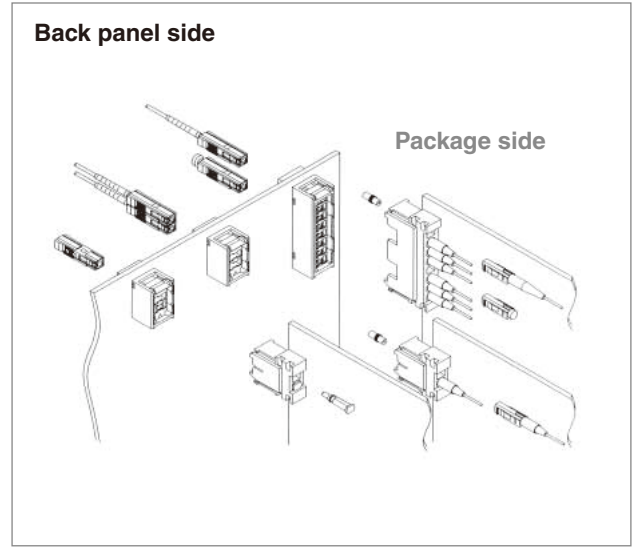
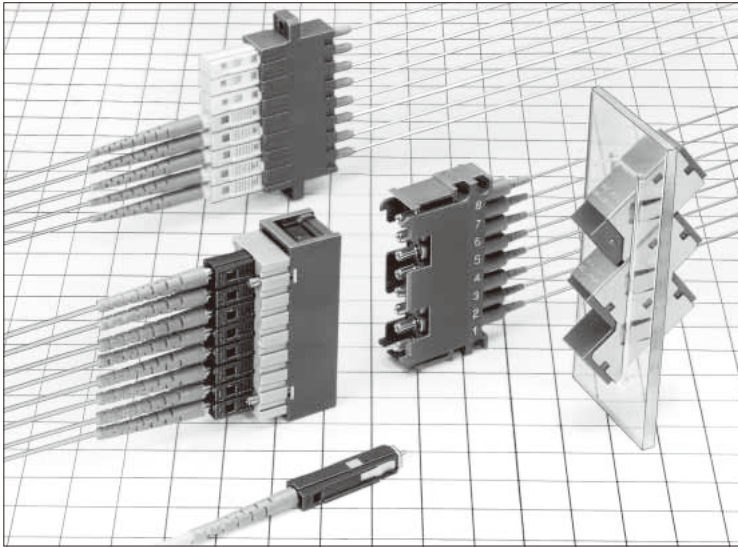


MU Type Fiber Optic Connectors

HMU Series



■ Features

1. IEC, JIS standard compliant and intermateability test certified.

Comply with JIS C 5983 (F14 type fiber optic connectors) and IEC 61754-6.

MU intermate test by NTT certified connector.

2. Flame resistant

Satisfies flammability rating UL94V-0

3. Backplane

MU Backplane connector has a self-holding mechanism which does not transfer any force on the back panel when both side of connector assemblies are fully connected. Back panel side connectors can be removed or inserted even both sides are mated.

4. Wide Variety of adapter type

Type	Number of Fiber connections				
	Single	Duplex	4 way	8 way	16 way
Board Mounting	✓	✓	—	✓	—
Snap-in Panel Mounting & Screw Panel Mounting	✓	✓	✓ (Only Snap-in)	✓	✓

5. Simplified plugs and Receptacles

Extremely small size (only 13.75mm Plug length). MU simplified plug is designed for equipments inside connection.

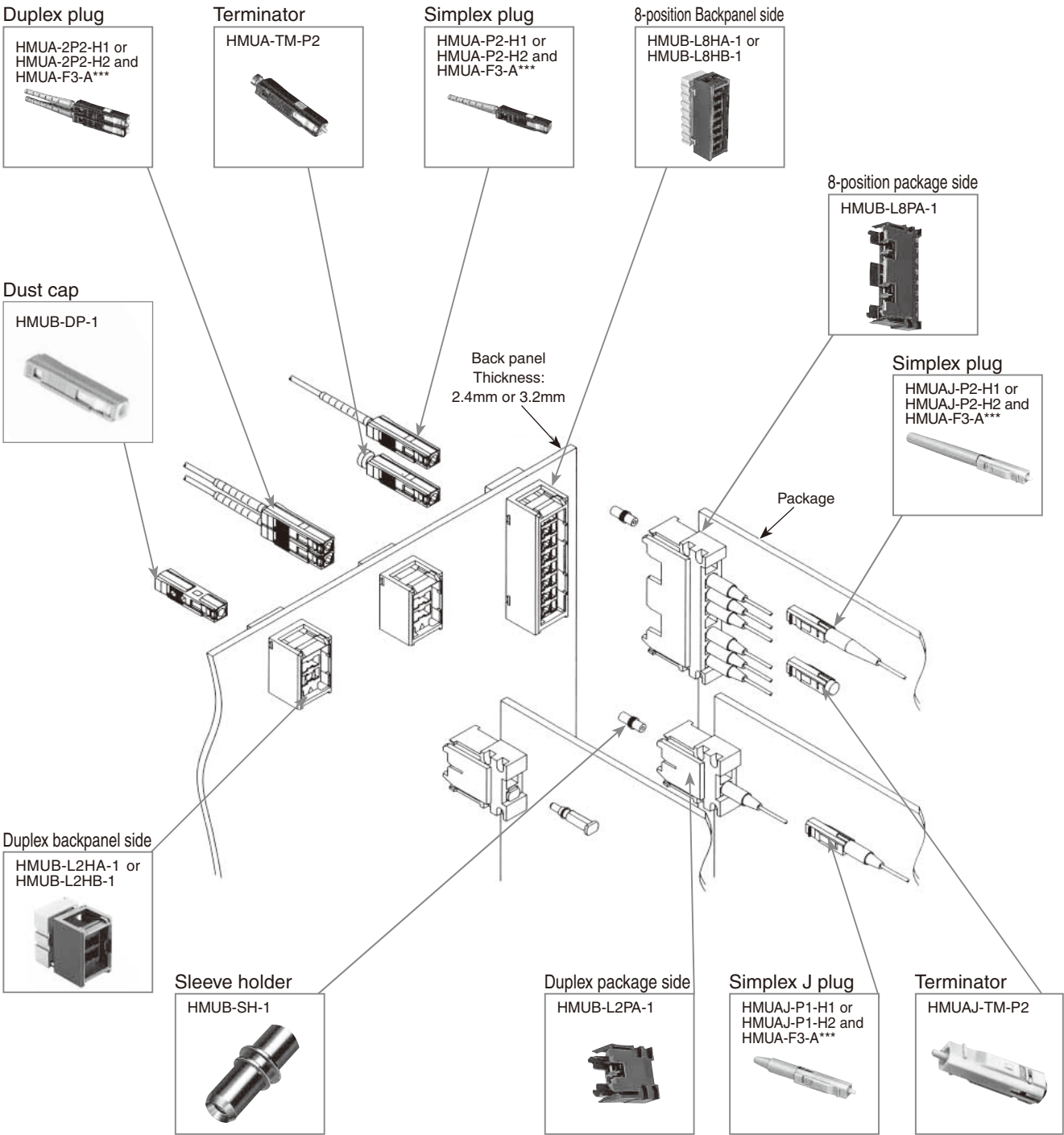
Product Specifications

Ratings		Operating temperature range		-25°C to +70°C	Storage temperature range		-25°C to +70°C
Item		Test Method (IEC 61300)			Specifications		
Optical Characteristics	Insertion Loss	SM	Wavelength 1310nm (LD)		0.5dB max. (AdPC)		
		MM(GI)	Wavelength 1310nm (LED)		0.3dB max. (PC)		
	Return Loss	SM	Wavelength 1310nm (LD)		40dB min.(AdPC)		
		MM(GI)			22dB min.(PC)		
Mechanical Characteristics	Engagement and Separation forces		Measured with corresponding connector.			Simplex plug	Engagement force: 20 N max. Separation force: 20 N max.
	Ferrule with drawal force		Extract zirconia gauge 1.249 ±0.0005 mm diameter from split sleeve.			Duplex plug	Engagement force: 30 N max. Separation force: 30 N max.
	Cable retention (Straight pull)		70N tensile loads for one minute.			Copper alloy split sleeve 1N to 3N Zirconia split sleeve 1N to 2.5N	
	Durability (cycles, mating/un-mating)		200 times (Backplane) 500 times (Plug)			1) Insertion loss fluctuation after test: 0.2dB max. 2) No visible damage, dislocation of clamp or cable.	
	Vibration		Frequency: 10 to 55 Hz, single amplitude of 0.75 mm, 2 hours in each of the 3 axis.				
	Shock		Acceleration of 981 m/s ² , 6 ms duration, sin half-wave waveform, 10 cycles in each of the 3 axis.				
Humidity (Temperature/ humidity- cycles)		-10°C to 65°C, humidity: 90% to 96% 10 cycles					
Environmental Characteristics	Change of temperature		-25°C to +70°C 100 cycles			1) Insertion loss fluctuation after test: 0.2dB max. 2) No visible damage, cracks or part dislocation.	
	Dry heat		960 hours at 85°C				
	Cold		960 hours at -25°C				
	Salt mist		48 hours in a 5% concentration of salt mist				

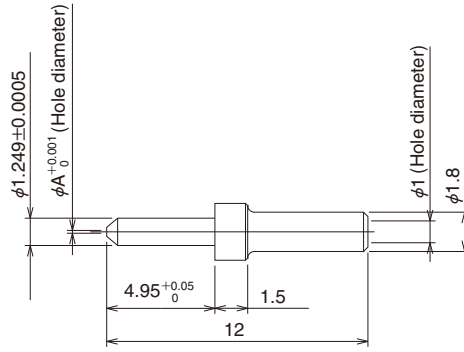
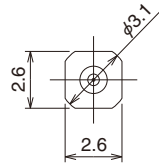
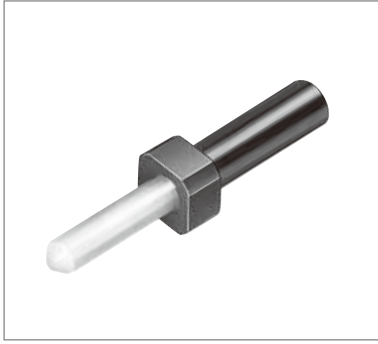
Materials

Part	Material
Simplex plug housing	Synthetic resin
Spring	Steel
Ferrule	Zirconia
Simplex adapter housing	Synthetic resin
Adapter metal fittings	Stainless steel or copper alloy (Nickel plating)
Simplified receptacle housing	Synthetic resin
Simplified plug	Zirconia
Backplane connector housing	Synthetic resin
Split sleeve	Zirconia or copper alloy
Dust cap	Synthetic resin

Function diagram



■ Ferrules



Part Number	CL No.	A dimension	Applicable Fiber cable
HMUA-F3-A125(10)	710-0024-3-10	0.125	SM-9.5/125 GI-50/125
HMUA-F3-A1255(10)	710-0121-0-10	0.1255	
HMUA-F3-A126(10)	710-0025-6-10	0.126	

SC

FC

MU

Harsh
Environment

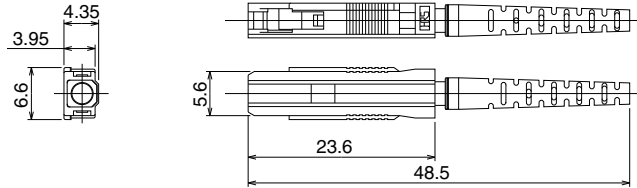
Attenuators

Terminators

POF / PCF

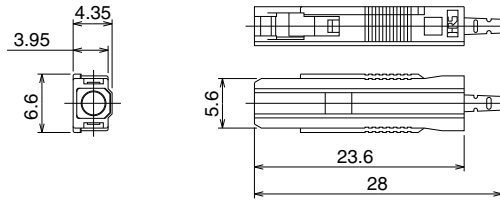
■ Plug Housings

● Simplex Plug Housing for 2mm cable



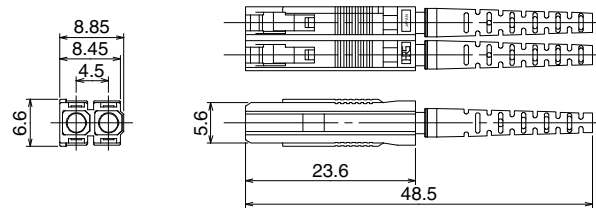
Part Number	CL No.	Boot color
HMUA-P2-H1(61)	710-0047-9-61	Blue
HMUA-P2-H2(61)	710-0001-8-61	Light purple

● Simplex Plug Housing for 0.9mm fiber



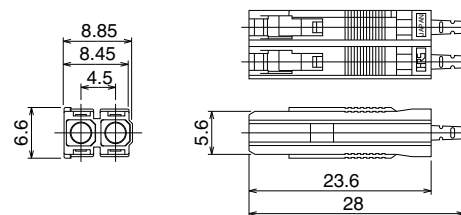
Part Number	CL No.	Boot color
HMUA-P0.9-H1(60)	710-0158-0-60	Blue
HMUA-P0.9-H2(60)	710-0159-2-60	Light purple

● Duplex Plug Housing for 2mm cable



Part Number	CL No.	Boot color
HMUA-2P2-H1(61)	710-0048-1-61	Blue
HMUA-2P2-H2(61)	710-0002-0-61	Light purple

● Duplex Plug Housing for 0.9mm fiber



Part Number	CL No.	Boot color
HMUA-2P0.9-H1(60)	710-0162-7-60	Blue
HMUA-2P0.9-H2(60)	710-0163-0-60	Light purple

SC

FC

MU

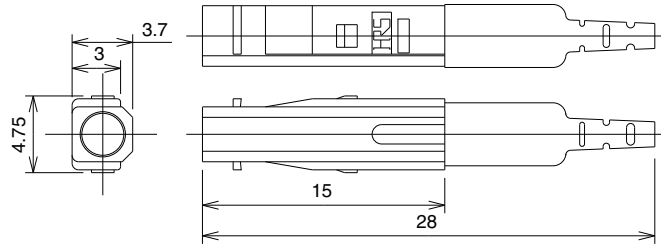
Harsh Environment

Attenuators

Terminators

POF / PCF

● Simplex J Plug Housing for 0.9mm fiber



Part Number	CL No.	Boot color
HMUAJ-P0.9-H1(60)	710-0160-1-60	Blue
HMUAJ-P0.9-H2(60)	710-0161-4-60	Light purple

Notes : Option for this products
 Sleeve for temporary mating
 Part Number : HMUA-RH-1
 CL No. : CL710-0085-8
 Available to mate with standard adapter.
 (Usage example : Optical measurement)

Notes : This connector is the product for MU backplane solution, and is plugged into Package side Connector Housing with Sleeve Holder.
 But can't mate with standard MU adapter.

SC

FC

MU

Harsh Environment

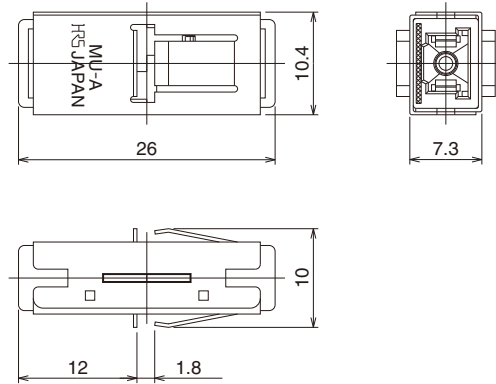
Attenuators

Terminators

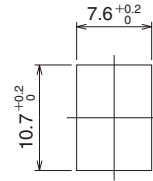
POF / PCF

Adapters

Simplex Adapter / Snap-in Panel Mounting



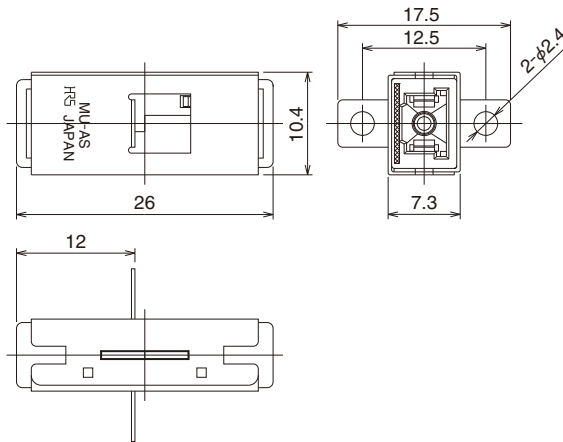
Panel Cutout



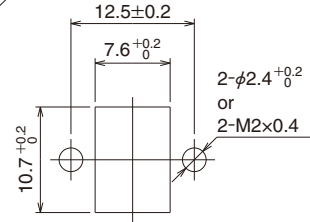
Panel thickness: 1.6mm

Part Number	CL No.	Split sleeve
HMUA-A-3	710-0103-8-00	Zirconia

Simplex Adapter / Screw Panel Mounting

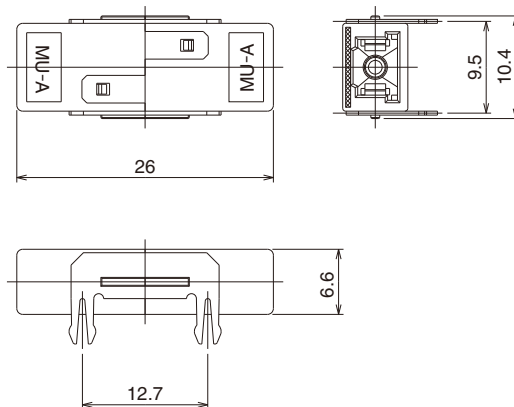


Panel Cutout

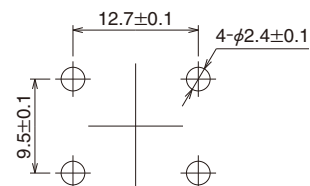


Part Number	CL No.	Split sleeve
HMUA-AS-3	710-0104-0-00	Zirconia

Simplex Adapter / Board Mounting



Board Mounting Pattern



Board thickness: 1.6mm

Part Number	CL No.	Split sleeve
HMUA-AH-3(40)	710-0105-3-40	Zirconia

SC

FC

MU

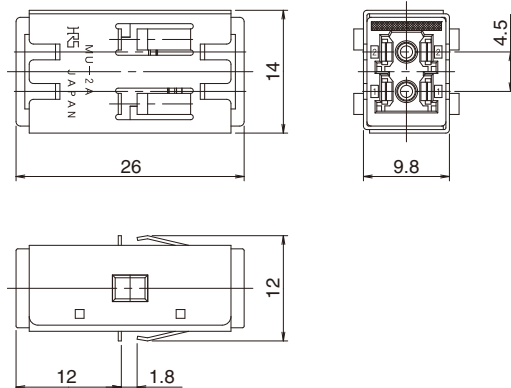
Harsh Environment

Attenuators

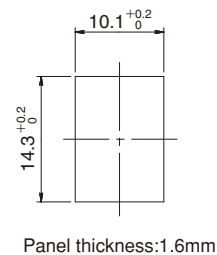
Terminators

POF / PCF

● Duplex adapter / Snap-in Panel Mounting

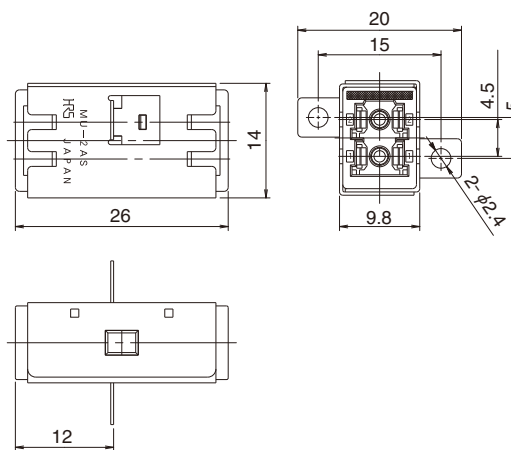


■ Panel Cutout

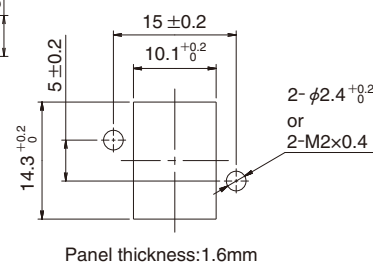


Part Number	CL No.	Split sleeve
HMUA-2A-4	710-0187-8-00	Zirconia

● Duplex Adapter / Screw Panel Mounting

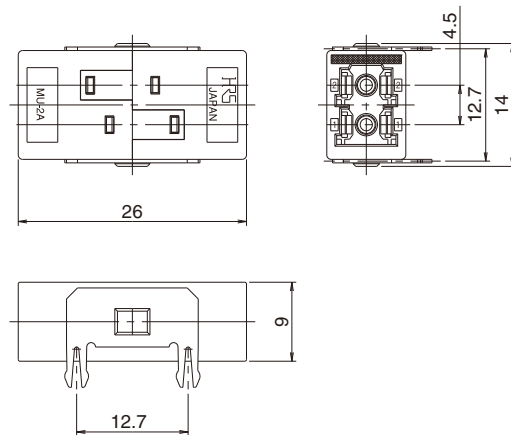
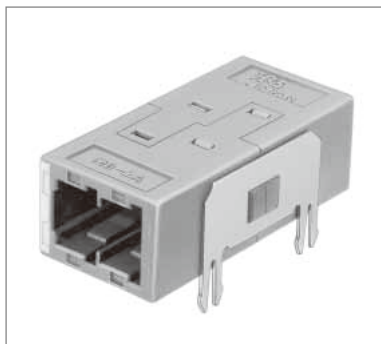


■ Panel Cutout

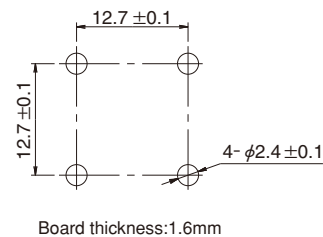


Part Number	CL No.	Split sleeve
HMUA-2AS-4	710-0188-0-00	Zirconia

● Duplex Adapter / Board Mounting



■ Board Mounting Pattern



Part Number	CL No.	Split sleeve
HMUA-2AH-4(40)	710-0189-3-40	Zirconia

SC

FC

MU

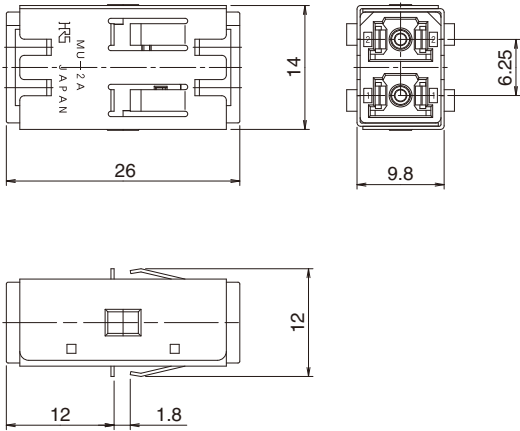
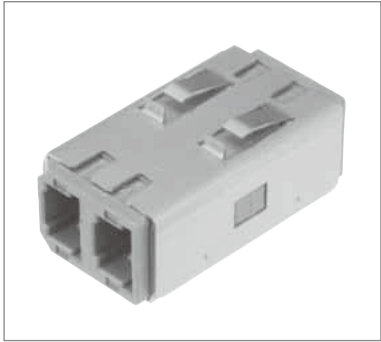
Harsh Environment

Attenuators

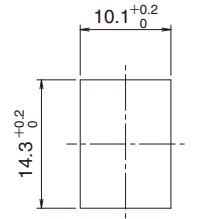
Terminators

POF / PCF

● Duplex Adapter / Snap-in Panel Mounting
6.25mm Type



■ Panel Cutout



Board thickness: 1.6mm

Part Number	CL No.	Split sleeve
HMUA-2AK-1	710-0196-9-00	Zirconia

- Notes :
- Available to 6.25mm pitch MU-PJ attenuators.
 - The outer dimension (and panel cutout) is same as the above "HMUA-2A-4".

SC

FC

MU

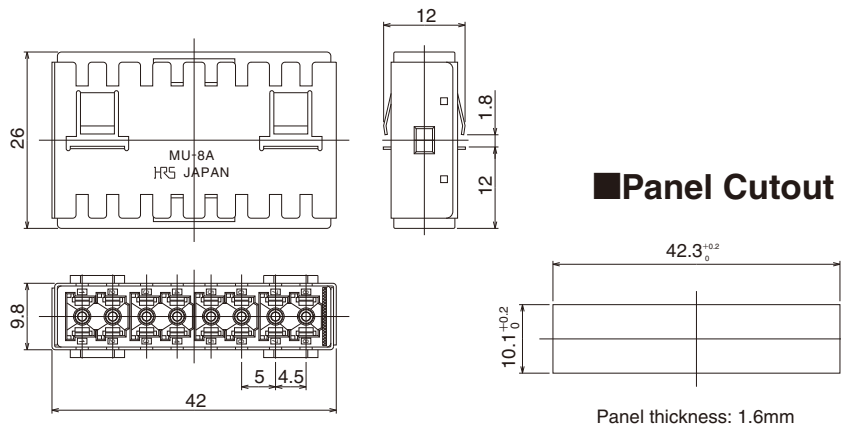
Harsh Environment

Attenuators

Terminators

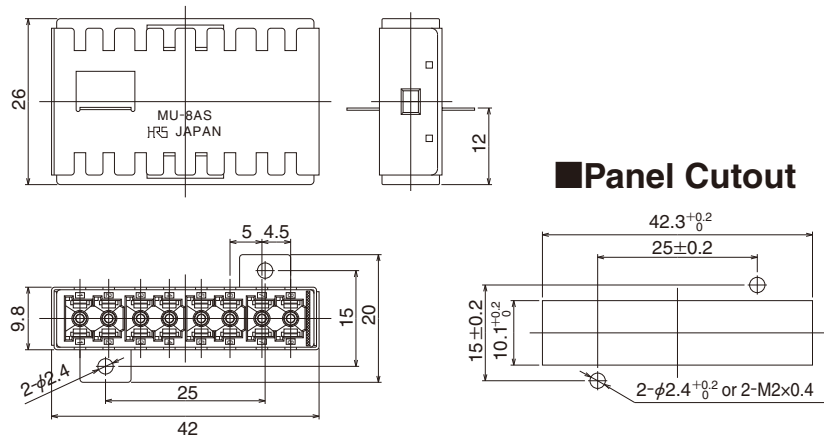
POF / PCF

●8-Position Adapter / Snap-in Panel Mounting



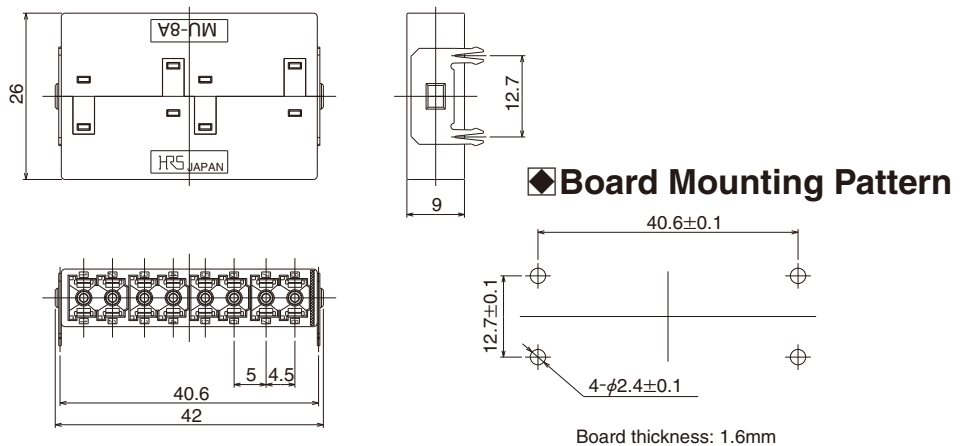
Part Number	CL No.	Split sleeve
HMUA-8A-3	710-0174-6-00	Zirconia

●8-Position Adapter / Screw Panel Mounting



Part Number	CL No.	Split sleeve
HMUA-8AS-3	710-0175-9-00	Zirconia

●8-Position Adapter / Board Mounting



Part Number	CL No.	Split sleeve
HMUA-8AH-3(40)	710-0176-1-40	Zirconia

SC

FC

MU

Harsh Environment

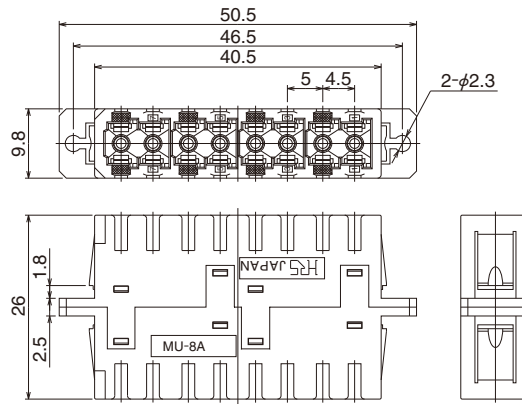
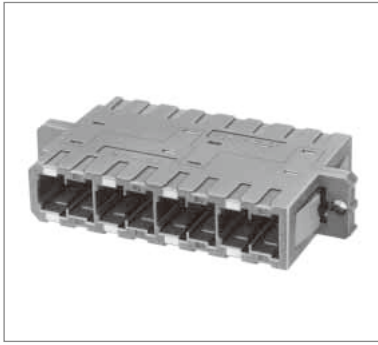
Attenuators

Terminators

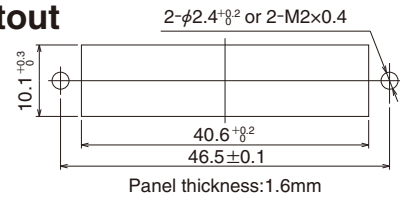
POF / PCF

■ Cost effective adapters

● 8-Position Adapter / Screw Panel Mounting

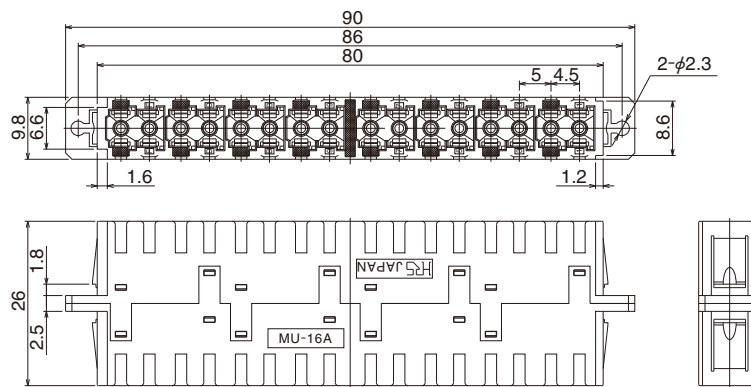


■ Panel Cutout

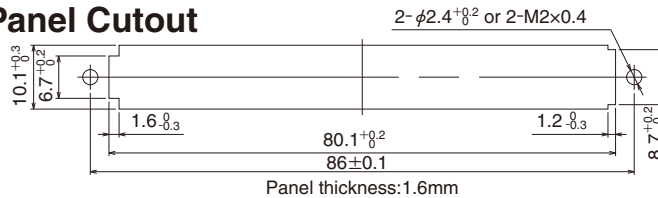


Part Number	CL No.	Split sleeve
HMUA-8A-2(40)	710-0155-1-40	Zirconia
HMUA-8A-B2	710-0119-8-00	Copper alloy

● 16-Position Adapter / Screw Panel Mounting



■ Panel Cutout



Part Number	CL No.	Split sleeve
HMUA-16A-2	710-0143-2-00	Zirconia
HMUA-16A-B2(40)	710-0113-1-40	Copper alloy

SC

FC

MU

Harsh Environment

Attenuators

Terminators

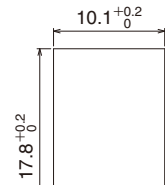
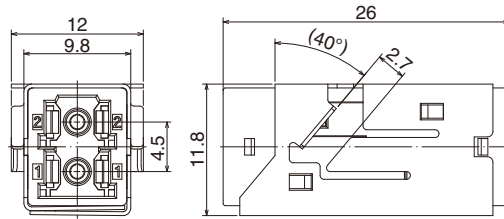
POF / PCF

■ Angled Adapters

Special design for angled mount. (The installation angle is 40 degrees.)

● Duplex Angled Adapter / Snap-in Panel Mounting

■ Panel Cutout

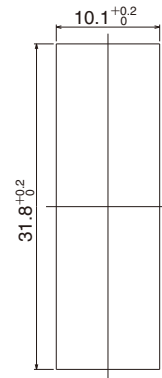
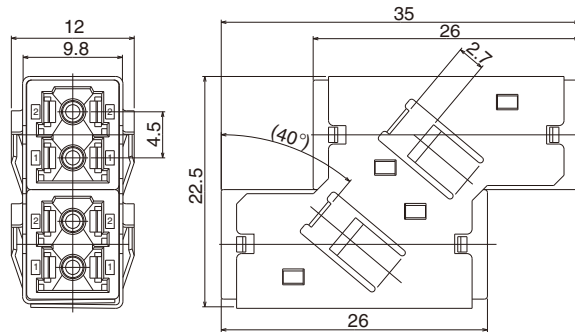


Panel thickness: 2.5mm

Part Number	CL No.	Split sleeve	Mounting Angle
HMUA-2A-40A-4	710-0243-7-00	Zirconia	40°

● 4-Position Angled Adapter / Snap-in Panel Mounting

■ Panel Cutout



Panel thickness: 2.5mm

Part Number	CL No.	Split sleeve	Mounting Angle
HMUA-4A-40-4	710-0178-7-00	Zirconia	40°

SC

FC

MU

Harsh Environment

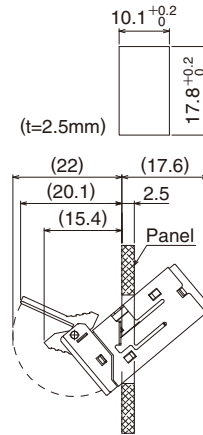
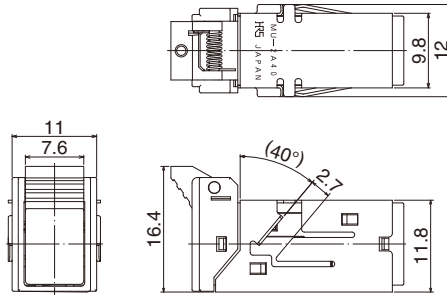
Attenuators

Terminators

POF / PCF

●Duplex Angled Adapter with Shutter / Snap-in Panel Mounting

■Panel Cutout



Part Number	CL No.	Split sleeve	Mounting Angle
HMUA-2A-40A-4-S1	710-0242-4-00	Zirconia	40°

Note:

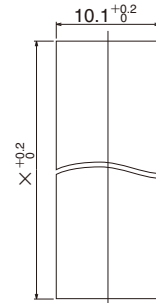
- 1)Under no circumstances look into the inside of shutter when the laser device is operational. The laser radiation is not visible to the human eye, but it can seriously damage your eyesight.
- 2)Please indicate the necessary safety labels when using high power light source.

Panel Cutout dimensions

Only the angled adapter without shutter.

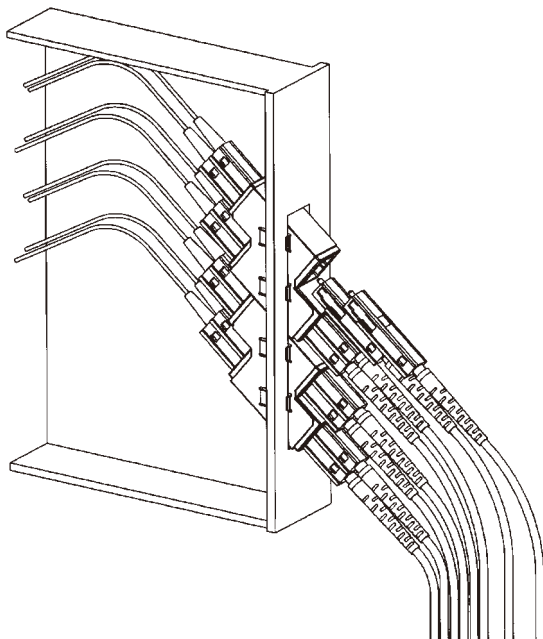
Fiber Position	Panel cutout:Xmm
06(Duplex+4 position)	47.4
08(4 position×2)	61.4
10(Duplex+4 position×2)	77.1
12(4 position×3)	91.0
14(Duplex+4 position×3)	106.7
16(4 position×4)	120.7
18(Duplex+4 position×4)	136.3
20(4 position×5)	150.3

■Panel Cutout



Panel thickness: 2.5mm

■Usage Example



SC

FC

MU

Harsh Environment

Attenuators

Terminators

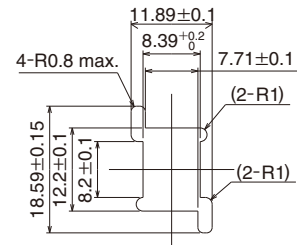
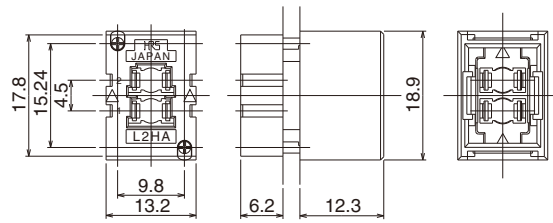
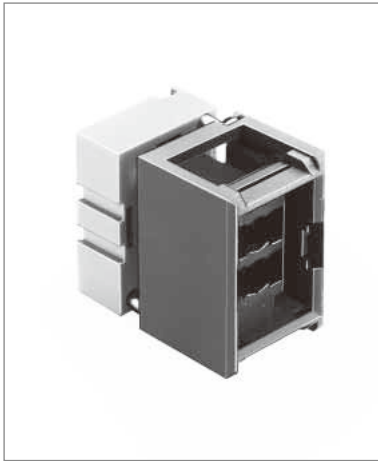
POF / PCF

SC

■ Backpanel side Connector Housings

● Duplex Backpanel side Connector Housing

■ Panel Cutout



Part Number	CL No.	Panel thickness
HMUB-L2HA-1(40)	710-0017-8-40	2.4mm
HMUB-L2HB-1(40)	710-0018-0-40	3.2mm

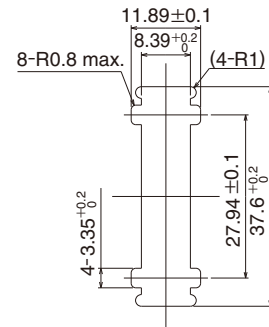
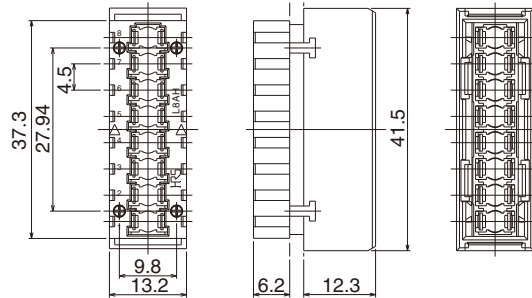
Note: Screw fastening torque: 0.03Nm

FC

MU

● 8-Position Backpanel side Connector Housing

■ Panel Cutout



Part Number	CL No.	Panel thickness
HA-1(40)	710-0019-3-40	2.4mm
HMUB-L8HB-1(40)	710-0020-2-40	3.2mm

Note: Screw fastening torque: 0.03Nm

Harsh Environment

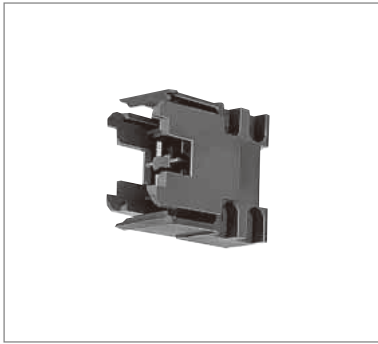
Attenuators

Terminators

POF / PCF

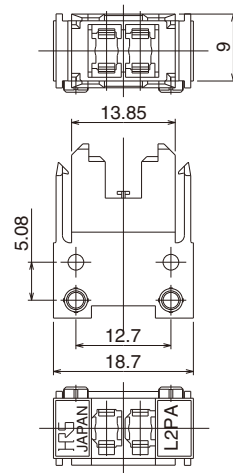
■ Package side Connector Housings

● Duplex Package side Connector Housing

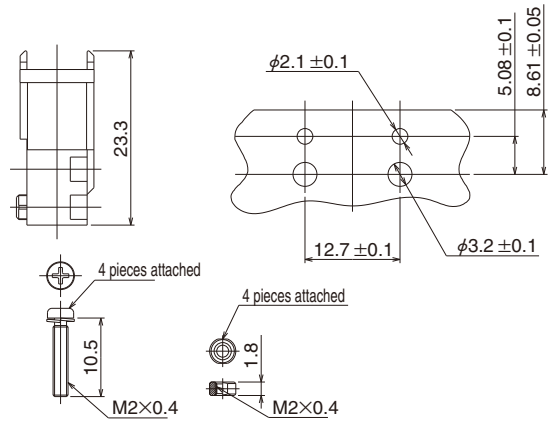


Part Number	CL No.
HMUB-L2PA-1(40)	710-0015-2-40

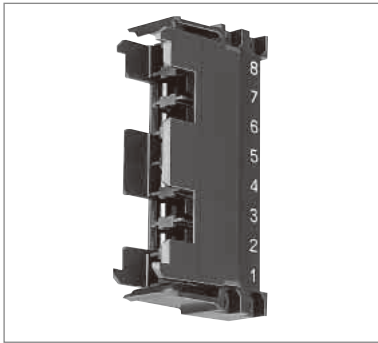
Note : Screw fastening torque : 0.15Nm



■ Board Mounting Pattern

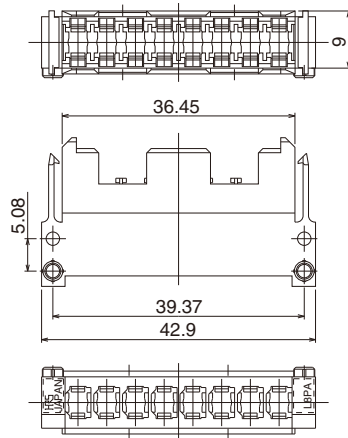


● 8-Position Package side Connector Housing

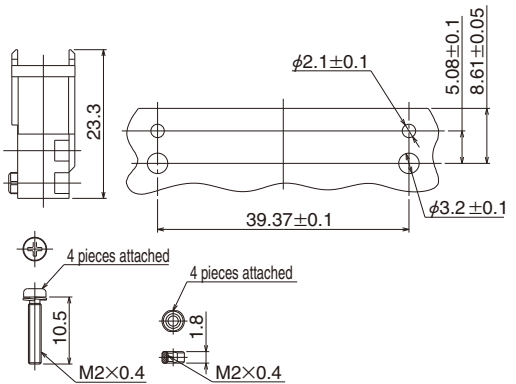


Part Number	CL No.
HMUB-L8PA-1(40)	710-0016-5-40

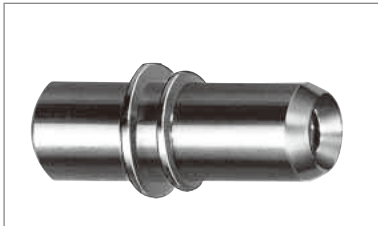
Note : Screw fastening torque : 0.15Nm



■ Board Mounting Pattern



■ Sleeve Holder

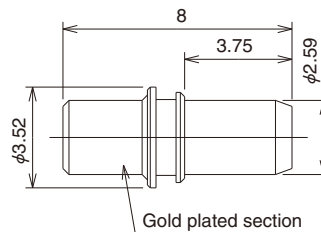


Part Number	CL No.	Split sleeve
HMUB-SH-1(40)	710-0021-5-40	Zirconia

Note: This Sleeve Holder should be used for duplex and 8-position package side connector housing and J Plug Housing connector plug.

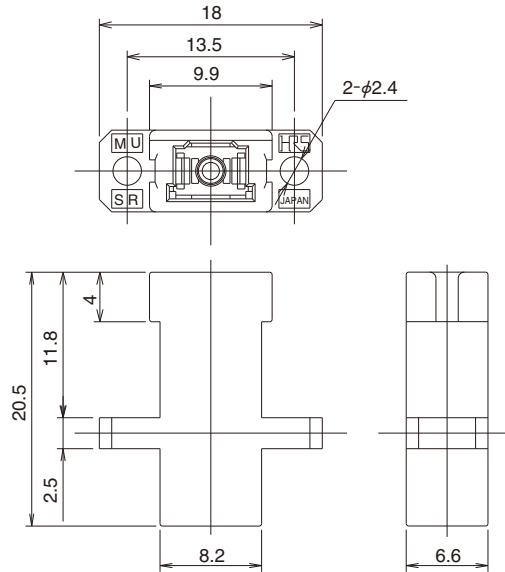
Insert the Sleeve Holder using dedicated tool #HMUB-TS-1.

The gold plated section of the Sleeve Holder should be inserted into the package side connector housing.

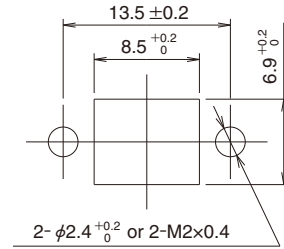


■ Simplified Receptacles

● Simplex Simplified Receptacle / Screw Panel Mounting

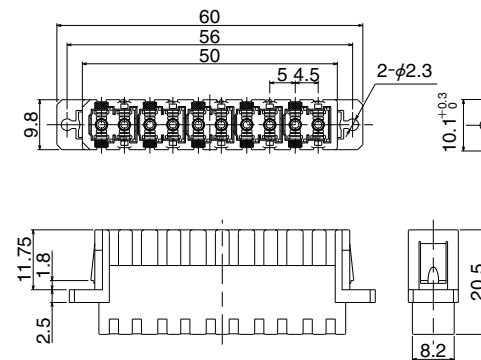


■ Panel Cutout

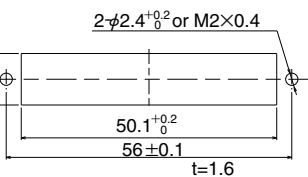


Part Number	CL No.	Split sleeve
HMUA-SR-1(40)	710-0094-9-40	Zirconia
HMUA-SR-B1	710-0182-4-00	Copper alloy

● 10-position Simplified Receptacle / Screw Panel Mounting



■ Panel Cutout



Part Number	CL No.	Split sleeve
HMUA-10SR-4	710-0193-0-00	Zirconia
HMUA-10SR-B4	710-0201-7-00	Copper alloy

SC

FC

MU

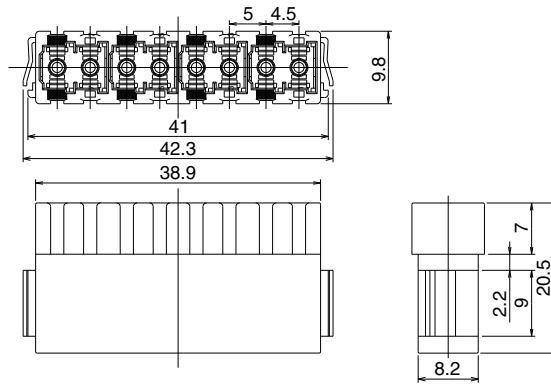
Harsh Environment

Attenuators

Terminators

POF / PCF

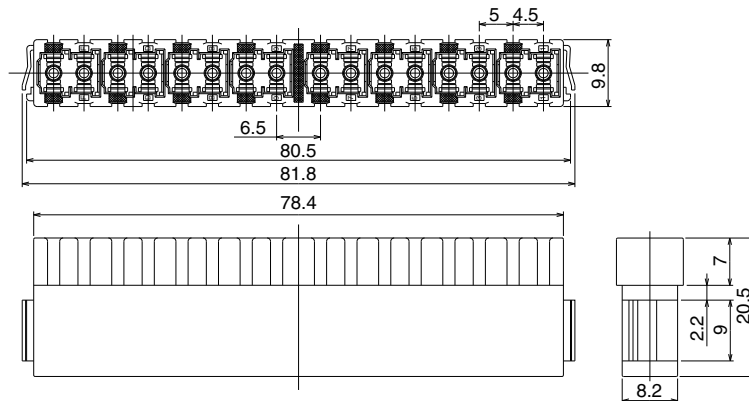
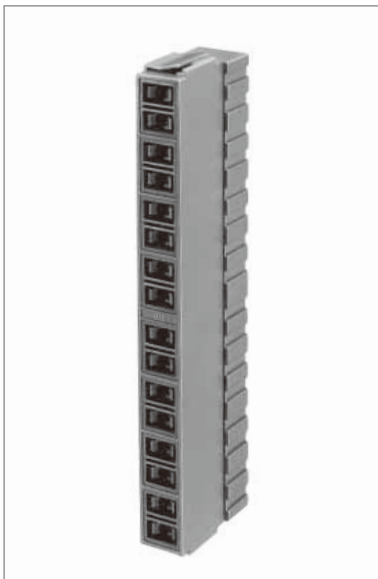
●8-position Simplified Receptacle - for extremely high density applications



Part Number	CL No.	Split sleeve
HMUA-8SR-3(40)	710-0168-3-40	Zirconia
HMUA-8SR-B3(40)	710-0117-2-40	Copper alloy

Please contact to HIROSE for the mounting dimension.

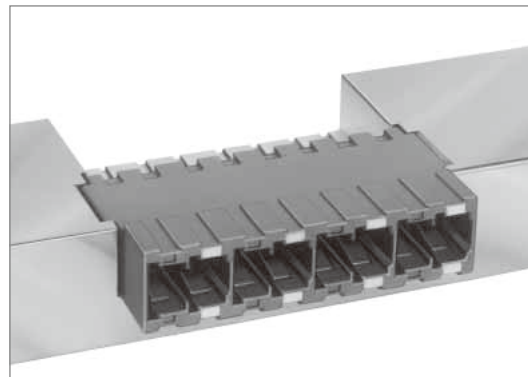
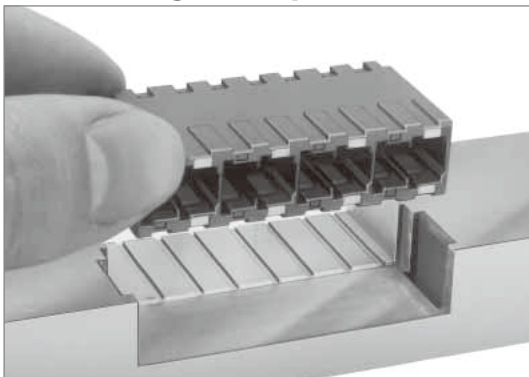
●16-Position Simplified Receptacle - for extremely high density applications



Part Number	CL No.	Split sleeve
HMUA-16SR-5	710-0173-3-00	Zirconia
HMUA-16SR-B5	710-0122-2-00	Copper alloy

Please contact to HIROSE for the mounting dimension.

■Mounting Example



SC

FC

MU

Harsh Environment

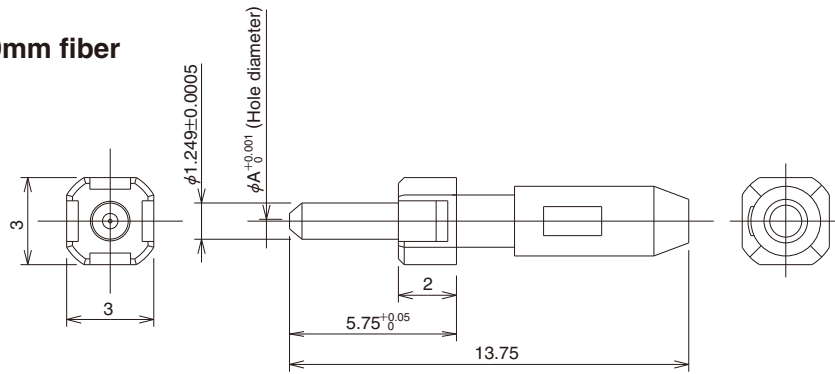
Attenuators

Terminators

POF / PCF

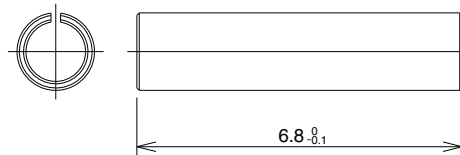
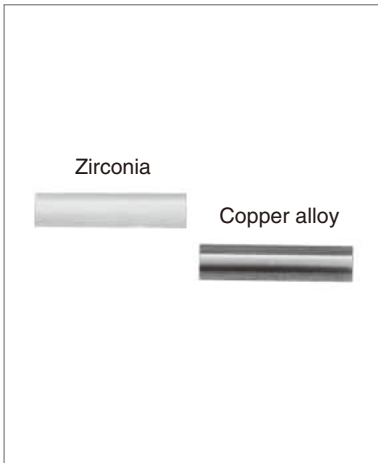
■ Simplified Plug

● Simplex simplified Plug for 0.9mm fiber



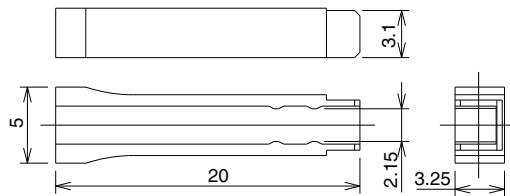
Part Number	CL No.	A dimension	Applicable Fiber cable	Ferrule
HMUA-FK-A125(04)	710-0099-2-04	0.125	SM-9.5/125 GI-50/125	Zirconia
HMUA-FK-A1255(04)	710-0107-9-04	0.1255		
HMUA-FK-A126(04)	710-0100-0-04	0.126		

■ Split Sleeve



Part Number	CL No.	Split sleeve
HMUA-D	710-0147-3-00	Zirconia
HMUA-SLIT-SLEEVE(01)	710-0130-0-01	Copper alloy

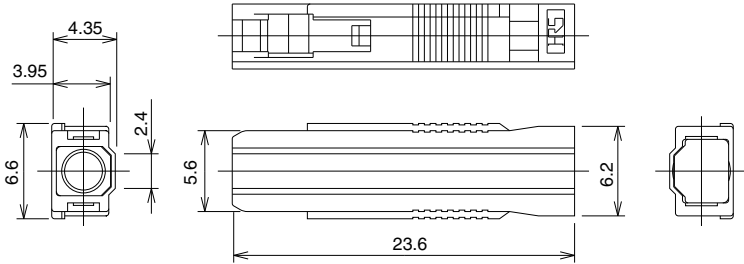
■ Extraction Tool for Simplified Plug



Part Number	CL No.
HMUA-FK-T3	710-0148-6-00

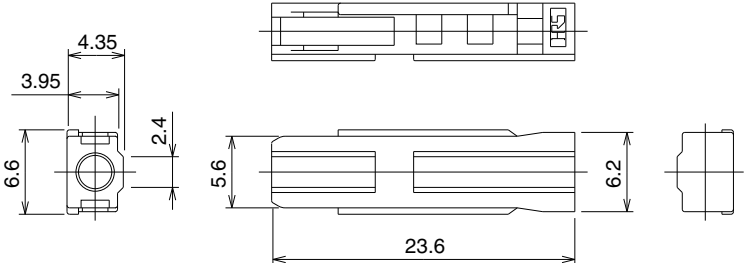
■ Dust Caps

● Dust Cap for Backpanel side connector housings



Part Number	CL No.	Applicable connector
HMUB-DP-1(40)	710-0135-4-40	Back panel side housing

● Dust Cap for Adapters



Part Number	CL No.	Applicable connector
HMUA-DP-2	710-0131-3-00	Adapter, simplified receptacle

- SC
- FC
- MU
- Harsh Environment
- Attenuators
- Terminators
- POF / PCF

■ Tools

● Insertion / Extraction Tool for Plug



Part Number	CL No.	Color of Tip	Remarks
HMUA-TP-1	710-0074-1	Blue	For Conventional Adapters
HMUB-TP-1	710-0075-4	Brown	For MU Backplane system

● Insertion / Extraction Tool for Plug Cost effective type



Part Number	CL No.	Remarks
HMU/HEMD-1P	902-6045-8	For Conventional Adapters and MU Backplane system

● Extraction Tool for J Plug



Part Number	CL No.	Remarks
HMUB-TJ-1	710-0076-7	HMUB-L2PA-1, L8PA-1

● Insertion / Extraction Tool for Sleeve Holder



Part Number	CL No.	Remarks
HMUB-TS-1	710-0077-0	HMUB-L2PA-1, L8PA-1

SC

FC

MU

Harsh Environment

Attenuators

Terminators

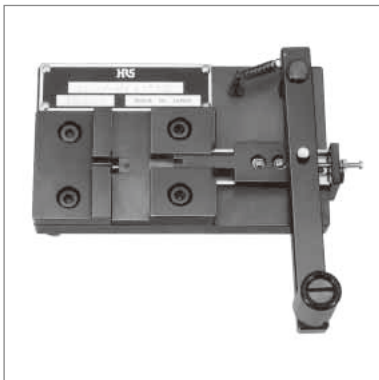
POF / PCF

●Crimp Tools



Part Number	CL No.	Applicable plug housing
HT402/HMUA-P2-H2	902-6040-4	HMUA-P2-H2,H1
		HMUA-2P2-H2,H1

●Stop Ring Insertion Tool



Part Number	CL No.	Applicable connector
HMUA.J/PRMD	902-6019-8	MU plug housings except HMUA-P1.1-H2



Компания «ЭлектроПласт» предлагает заключение долгосрочных отношений при поставках импортных электронных компонентов на взаимовыгодных условиях!

Наши преимущества:

- Оперативные поставки широкого спектра электронных компонентов отечественного и импортного производства напрямую от производителей и с крупнейших мировых складов;
- Поставка более 17-ти миллионов наименований электронных компонентов;
- Поставка сложных, дефицитных, либо снятых с производства позиций;
- Оперативные сроки поставки под заказ (от 5 рабочих дней);
- Экспресс доставка в любую точку России;
- Техническая поддержка проекта, помощь в подборе аналогов, поставка прототипов;
- Система менеджмента качества сертифицирована по Международному стандарту ISO 9001;
- Лицензия ФСБ на осуществление работ с использованием сведений, составляющих государственную тайну;
- Поставка специализированных компонентов (Xilinx, Altera, Analog Devices, Intersil, Interpoint, Microsemi, Aeroflex, Peregrine, Syfer, Eurofarad, Texas Instrument, Miteq, Cobham, E2V, MA-COM, Hittite, Mini-Circuits, General Dynamics и др.);

Помимо этого, одним из направлений компании «ЭлектроПласт» является направление «Источники питания». Мы предлагаем Вам помощь Конструкторского отдела:

- Подбор оптимального решения, техническое обоснование при выборе компонента;
- Подбор аналогов;
- Консультации по применению компонента;
- Поставка образцов и прототипов;
- Техническая поддержка проекта;
- Защита от снятия компонента с производства.



Как с нами связаться

Телефон: 8 (812) 309 58 32 (многоканальный)

Факс: 8 (812) 320-02-42

Электронная почта: org@eplast1.ru

Адрес: 198099, г. Санкт-Петербург, ул. Калинина, дом 2, корпус 4, литера А.