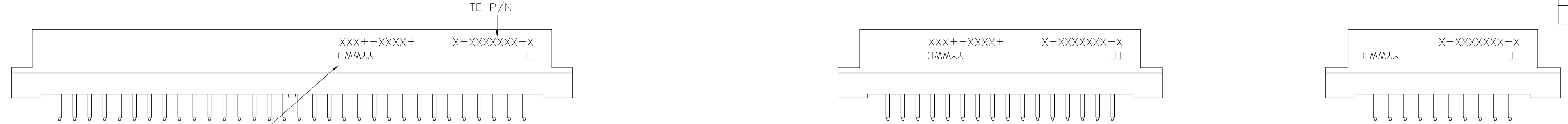
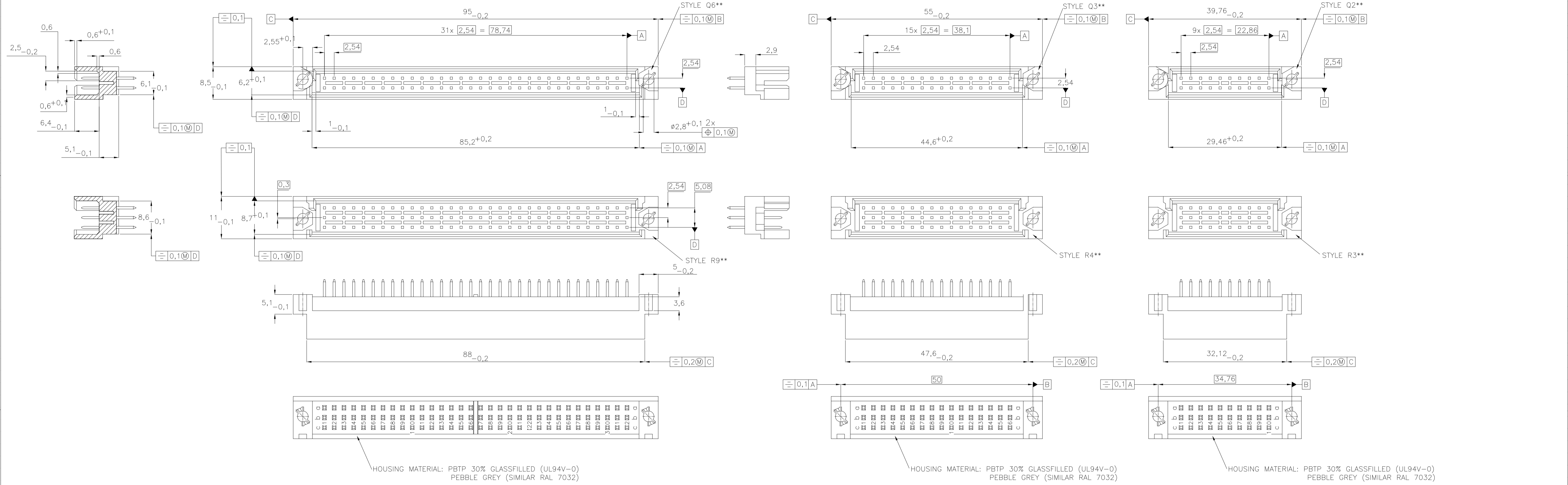


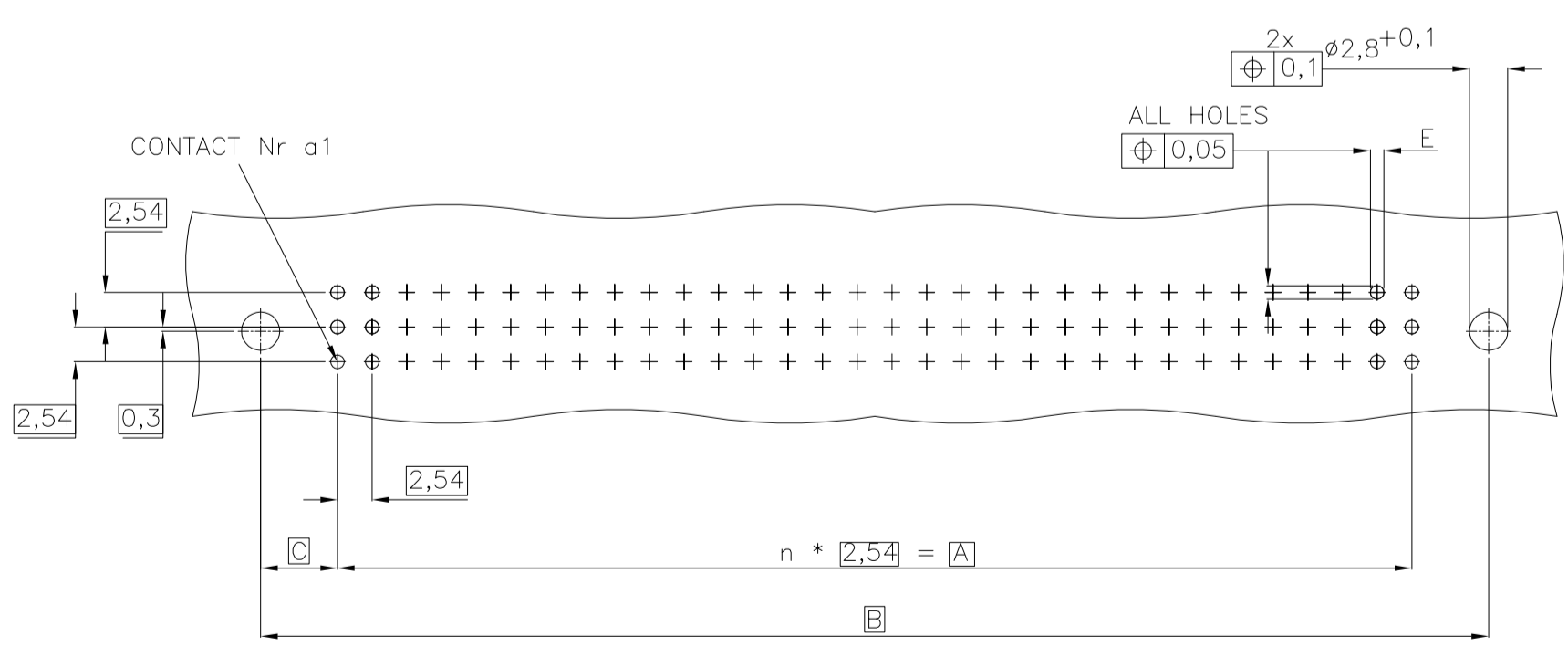
REVISONS		DATE	OWN	APP'D
P	LTR			
H	REVISED PER ECO-17-009739	11SEP2017	SY	SY



MANUFACTURING DATE CONSISTING OF:
 2 DIGITS FOR THE YEAR (YY), 2 DIGITS FOR THE WEEK (WW) AND 1 DIGIT FOR THE DAY (D)
 (INK OR LASER OPTIONAL IN APPROXIMATE AREA OR OPPOSITE SURFACE)



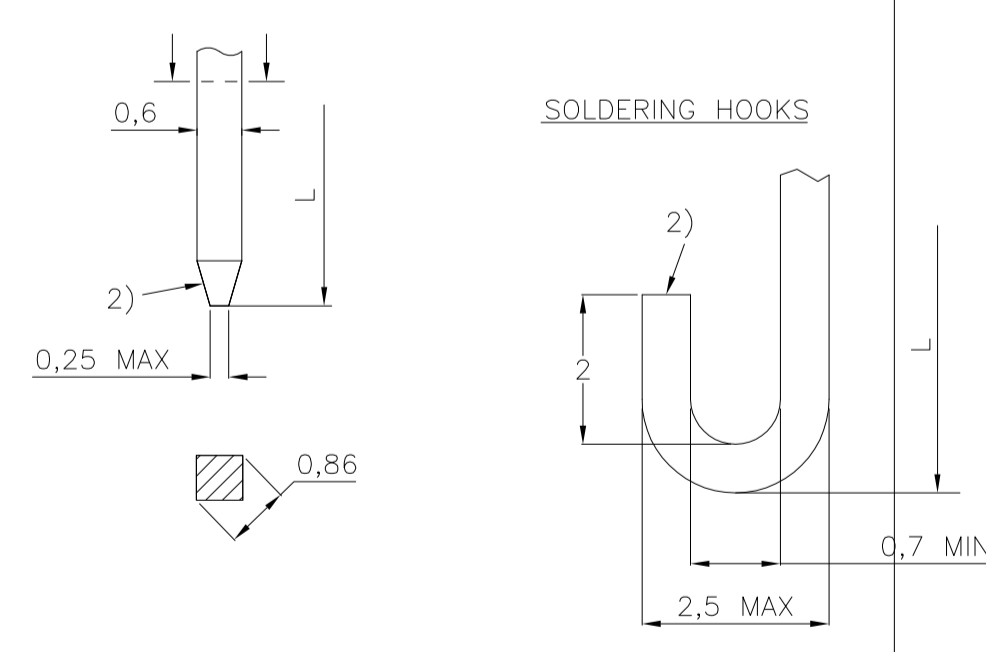
MOUNTING HOLES IN PCB



TYPE	n	A	B	C	E	TERMINATION
Q R	31	78.74	90	5.63	1.0 ±0.1	SOLDER
Q/2 R/2	15	38.1	50	5.95	1.0 ±0.1	WIRE WRAP
Q/3 R/3	9	22.86	34.76	5.95		

TERMINATION STYLES

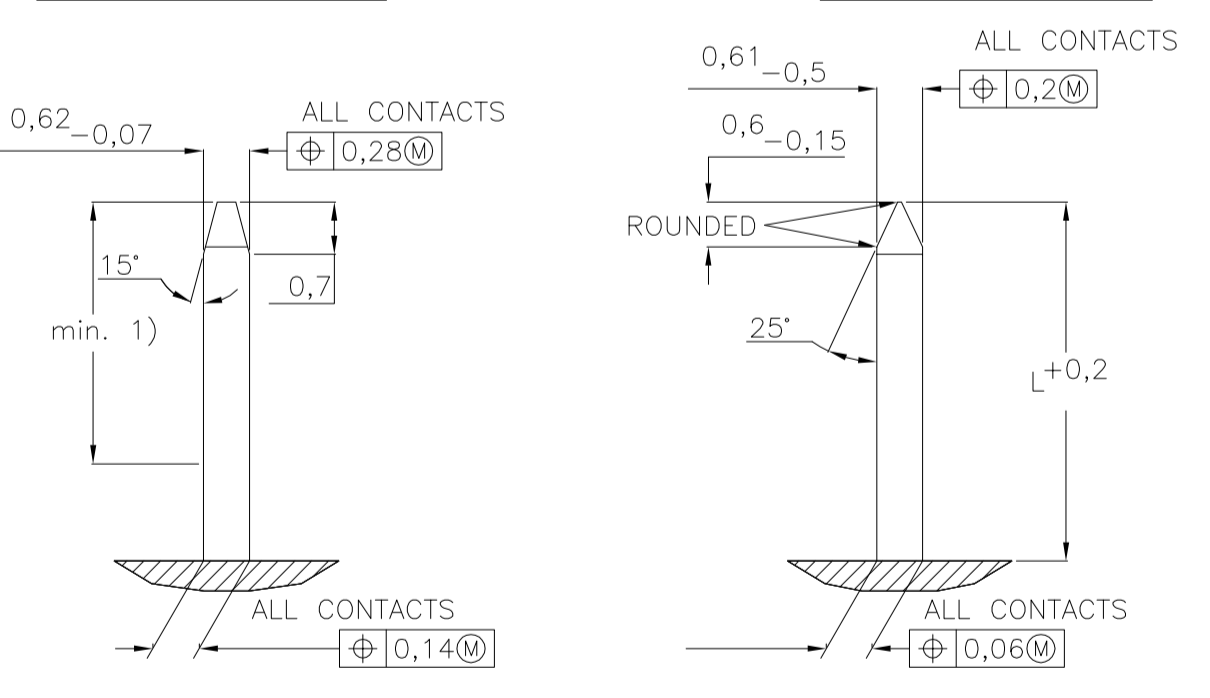
SOLDERING FOR PCB HOLES 1mm,
 WIRE WRAP PINS AND
 PRESSFIT PINS (1)



- PRESSFIT ACCORDING TO IEC 352-5
- CUTTING EDGES NOT PLATED (TERMINATIONSTRIP FOR ADAPTER PLUGGING FULLY PLATED)
 - WITH GALVANIC SN PLATING
 - FOR CONTACTS WITH INSERTION-AREA FOR ADAPTER-PLUGGING: PdNi + Au OR Au PLATED, SEE NEXT BOX

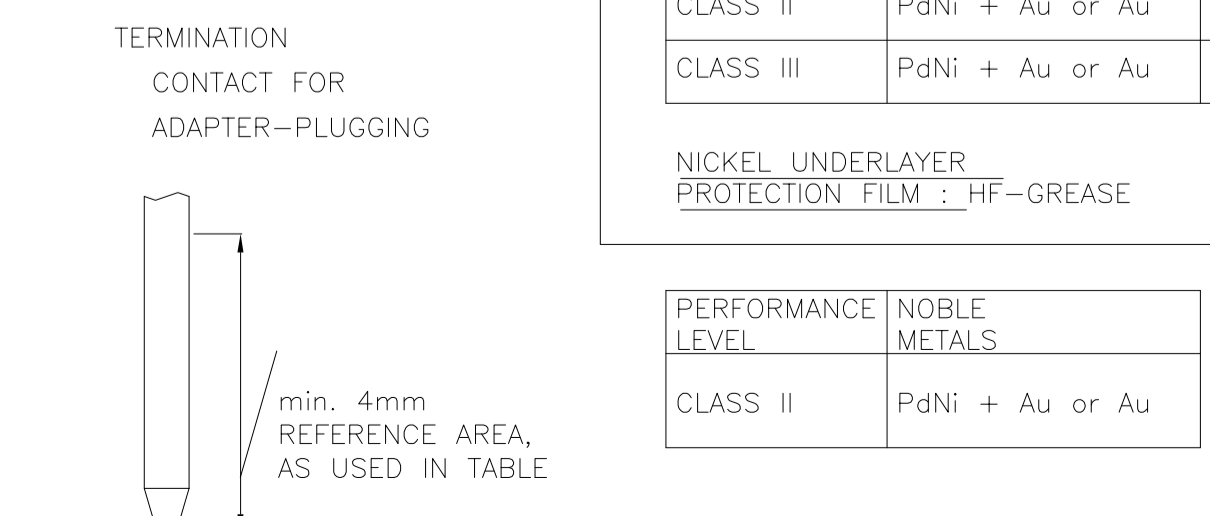
	L	CODE
SOLDERING FOR PCB HOLES 1mm	2.9 ±0.3	01
WIRE WRAP PIN	4.5 ±0.3	02
	6.3 ±0.3	03
	13 ±0.5	40
SOLDERING HOOKS	5.5 ±0.3	30
	10 ±0.5	

CONTACT : DIMENSIONS, PLATING, MATERIAL, PREMATING



	L	A
NORMAL CONTACTS	4.8	3.5
PRE-MATING CONTACTS	5.8	4.5

1) REFERENCE AREA AS USED IN TABLE



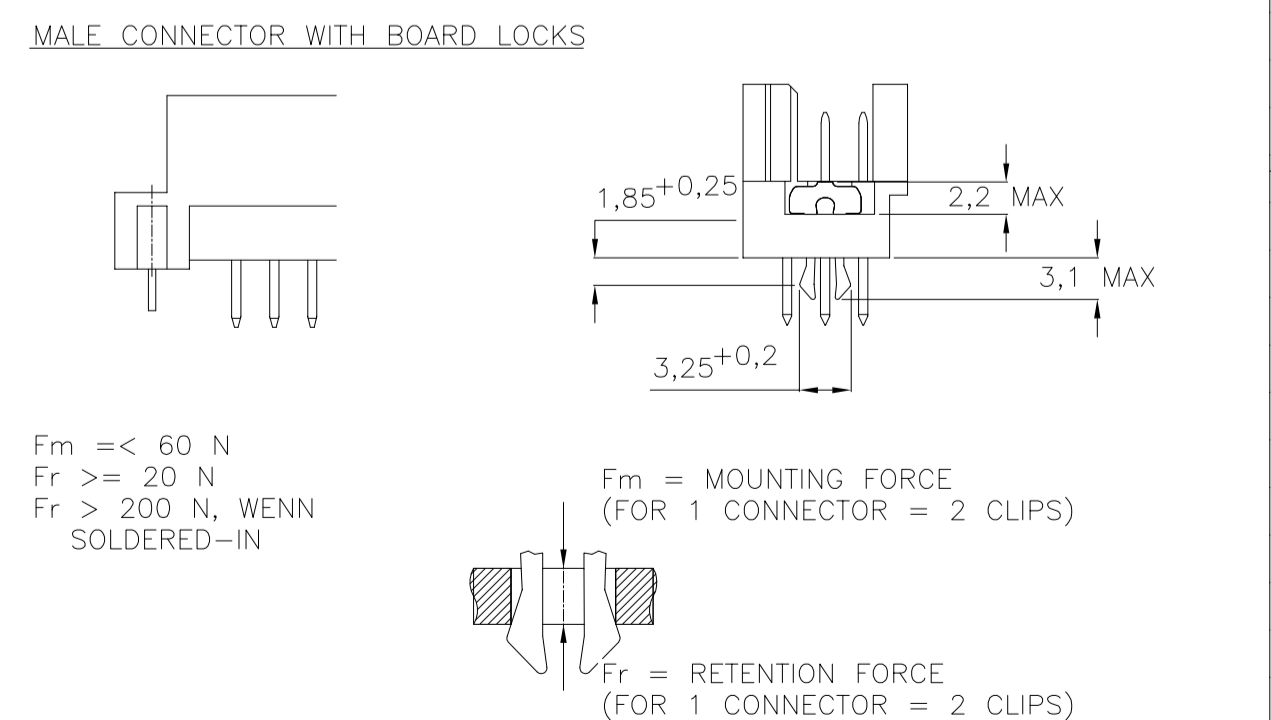
PERFORMANCE LEVEL	NOBLE METALS	CODE
CLASS I	PdNi + Au or Au Au	1 4
CLASS II	PdNi + Au or Au	2
CLASS III	PdNi + Au or Au	3

NICKEL UNDERLAYER
 PROTECTION FILM : HF-GREASE

PERFORMANCE LEVEL	NOBLE METALS
CLASS II	PdNi + Au or Au

V42254-* 1 * * * - R * * *

B : STANDARD VERSIONS
 F : VERSIONS WITH FLUX-TIGHT COATING
 CODE FOR PERFORMANCE LEVEL
 CODE FOR TERMINATION STYLE
 STYLE, NO OF CONTACTS AND CONTACT ASSIGNMENT SEE PAGE 3



DIMENSIONS:		TOLERANCES UNLESS OTHERWISE SPECIFIED:		MATERIAL:	
mm		0 PLC ±			
		1 PLC ±			
		2 PLC ±			
		3 PLC ±			
		4 PLC ±			
		ANGLES ±			
		FINISH			

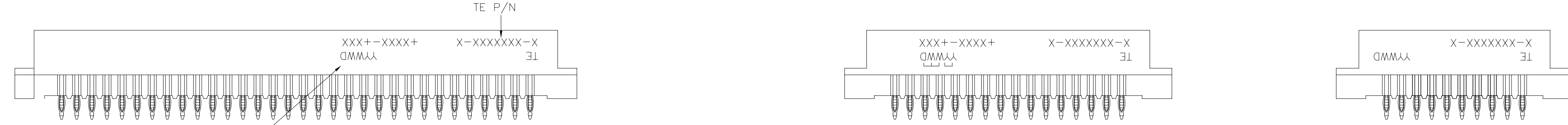
SIZE	CAGE CODE	DRAWING NO	RESTRICTED TO
A1	00779	C=9-1393501-4	

THIS DRAWING IS A CONTROLLED DOCUMENT. OWN: CUVELIER, 21FEB99, CHK: -, APVD: -, NAME: -
 PRODUCT SPEC: -, APPLICATION SPEC: -, WEIGHT: 0, CUSTOMER DRAWING: -
 SCALE: NTS, SHEET: 1 OF 3, REV: H

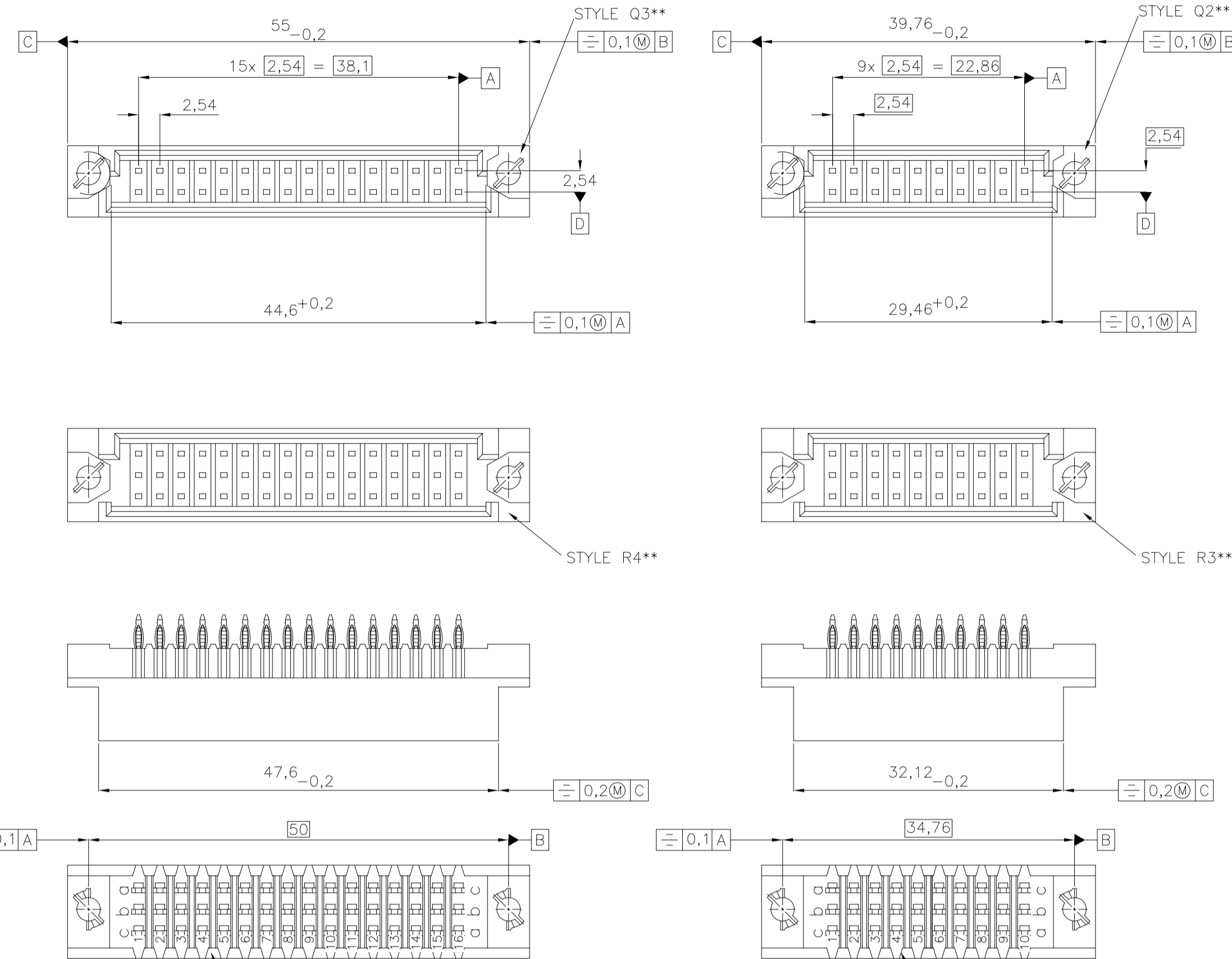
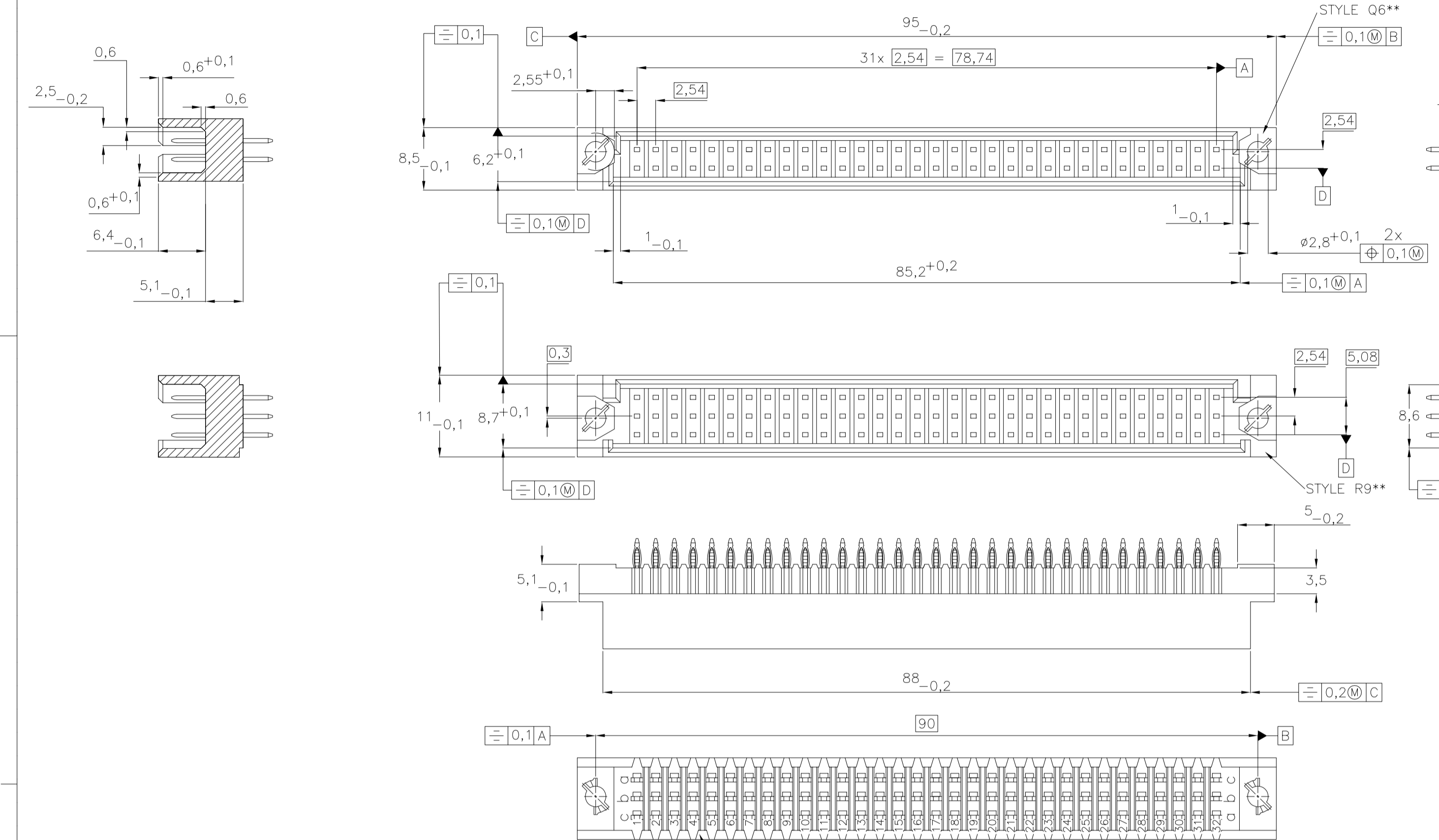
THIS INFORMATION IS CONFIDENTIAL AND PROPRIETARY TO TYCO ELECTRONICS CORPORATION AND ITS WORLDWIDE SUBSIDIARIES AND AFFILIATES. IT MAY NOT BE DISCLOSED TO ANYONE, OTHER THAN TYCO ELECTRONICS CORPORATION, WITHOUT WRITTEN AUTHORIZATION FROM TE (www.TE.com).

THIS DRAWING IS UNPUBLISHED. RELEASED FOR PUBLICATION
 © COPYRIGHT - By - ALL RIGHTS RESERVED.

P	LTR	DESCRIPTION	DATE	DNW	APVD
-	-	SEE SHEET 1	-	-	-



MANUFACTURING DATE CONSISTING OF:
 2 DIGITS FOR THE YEAR (YY), 2 DIGITS FOR THE WEEK (WW) AND 1 DIGIT FOR THE DAY (D)
 (INK OR LASER OPTIONAL IN APPROXIMATE AREA OR OPPOSITE SURFACE)

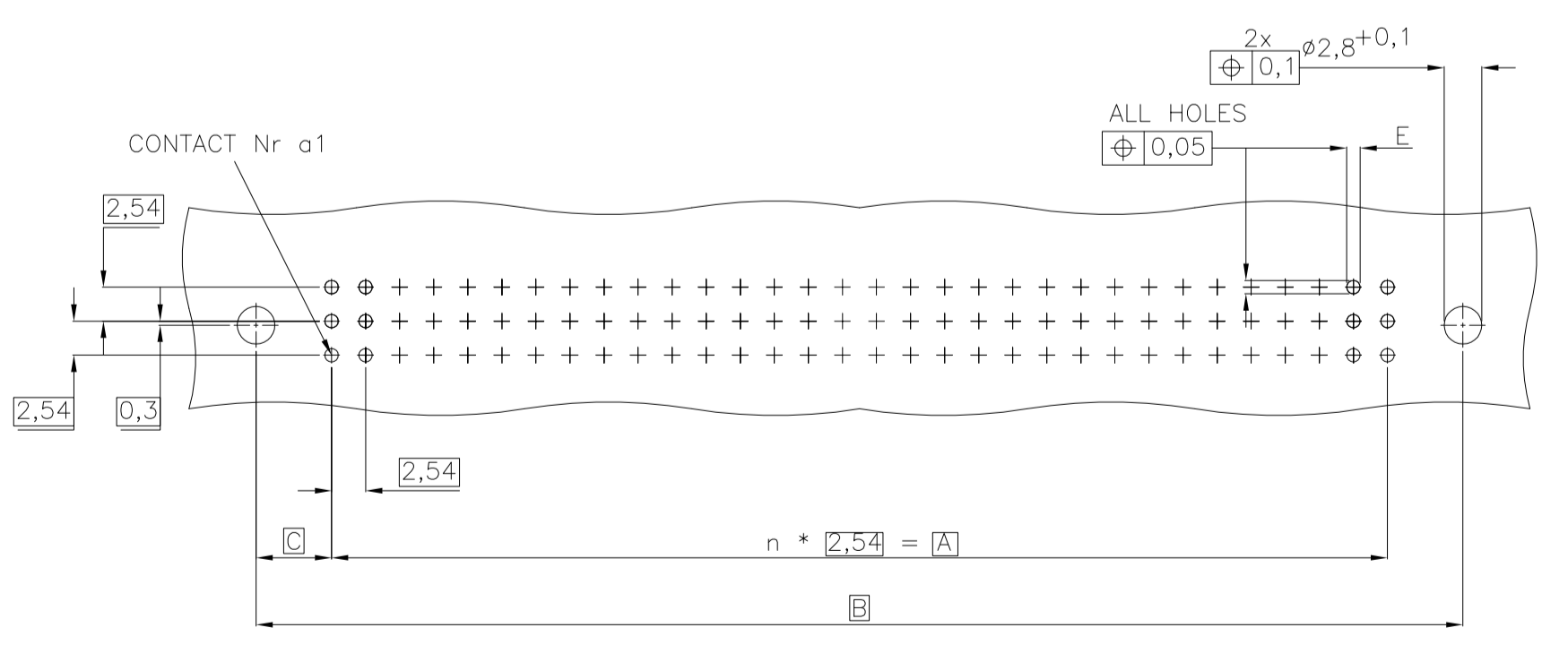


HOUSING MATERIAL: PBTP 30% GLASSFILLED (UL94V-0)
 PEBBLE GREY (SIMILAR RAL 7032)

HOUSING MATERIAL: PBTP 30% GLASSFILLED (UL94V-0)
 PEBBLE GREY (SIMILAR RAL 7032)

HOUSING MATERIAL: PBTP 30% GLASSFILLED (UL94V-0)
 PEBBLE GREY (SIMILAR RAL 7032)

MOUNTING HOLES IN PCB

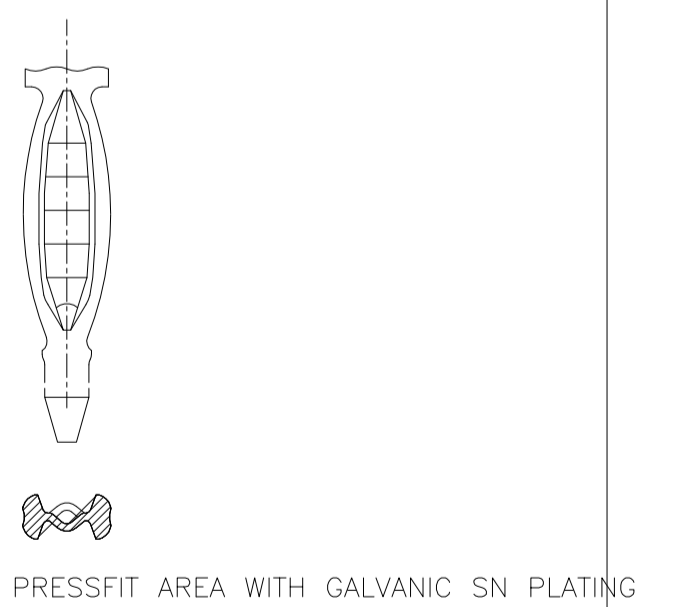


TYPE	n	A	B	C	E	TERMINATION
Q R	31	78.74	90	5.63	0.94±0.15	PRESSFIT 1)
Q/2 R/2	15	38.1	50	5.95		
Q/3 R/3	9	22.86	34.76	5.95		

1) ACC. TO IEC352-5

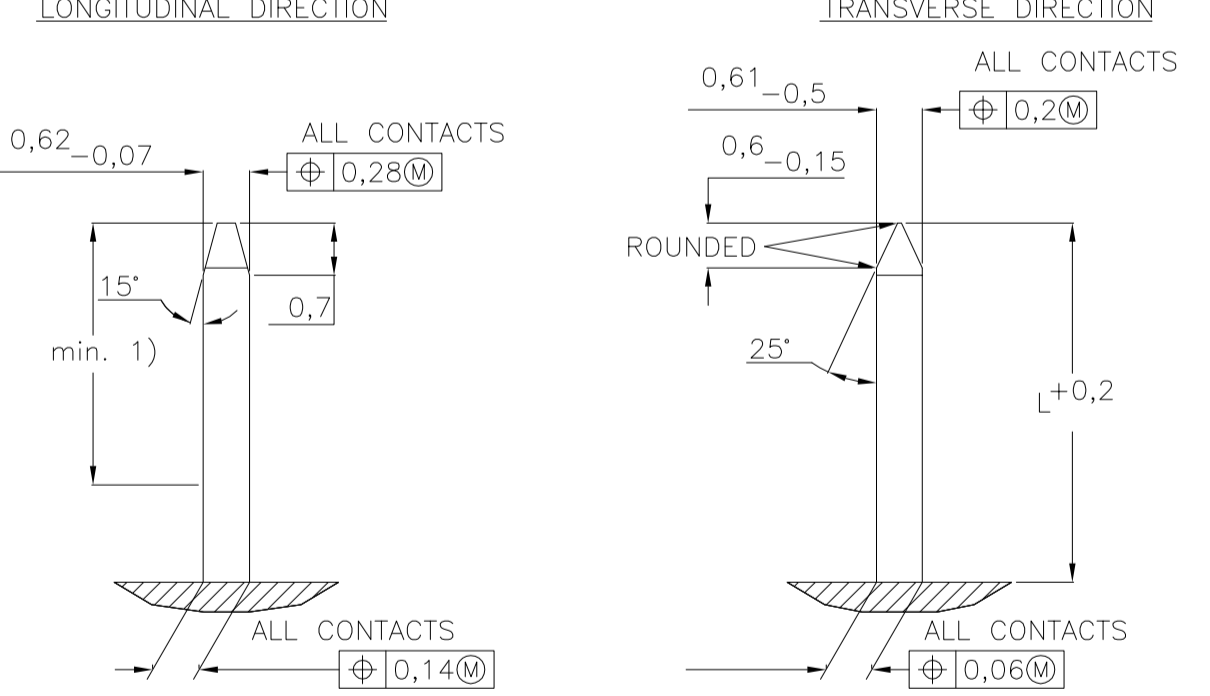
TERMINATION STYLES

SOLDERING FOR PCB HOLES 1mm.



	L	CODE
PRESSFIT	4 +0.5	63
	6 +0.5	70
PRESSFIT- WIRE-WRAP PINS	13 +0.5	60
	17 +0.5	61
PRESSFIT-WW PINS FOR ADAPTER PLUGGING	13 +0.5	66
	20 +0.5	68

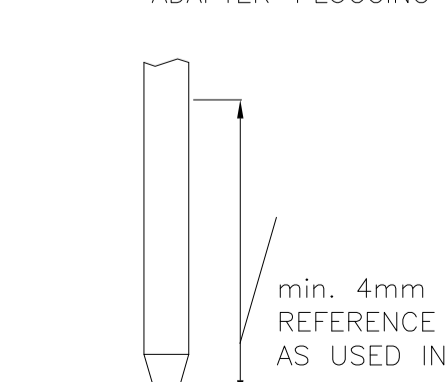
CONTACT : DIMENSIONS, PLATING, MATERIAL, PREMATING



	L	A
NORMAL CONTACTS	4.8	3.5
PRE-MATING CONTACTS	5.8	4.5

1) REFERENCE AREA AS USED IN TABLE

TERMINATION CONTACT FOR ADAPTER-PLUGGING



PERFORMANCE LEVEL	NOBLE METALS	CODE
CLASS I	PdNi + Au or Au	1
	Au	4
CLASS II	PdNi + Au or Au	2
CLASS III	PdNi + Au or Au	3

NICKEL UNDERLAYER
 PROTECTION FILM : HF-GREASE

PERFORMANCE LEVEL	NOBLE METALS
CLASS II	PdNi + Au or Au

V42254-B1 * * * - R * * *

CODE FOR PERFORMANCE LEVEL * * *
 CODE FOR TERMINATION STYLE * * *
 STYLE, NO OF CONTACTS AND CONTACT ASSIGNMENT SEE PAGE 3

THIS DRAWING IS A CONTROLLED DOCUMENT. OWN: CUVELIER, 21FEB99, CHK: -

STE TE Connectivity

NAME: PIN ASSEMBLY EUROCARD TYPES Q AND R AND SHORT VERSIONS

SIZE: A1, CAGE CODE: 00779, DRAWING NO: C=9-1393501-4, RESTRICTED TO: -

MATERIAL: -

SCALE: NTS, SHEET: 2 OF 3, REV: H

THIS INFORMATION IS CONFIDENTIAL AND PROPRIETARY TO TYCO ELECTRONICS CORPORATION AND ITS WORLDWIDE SUBSIDIARIES AND AFFILIATES. IT MAY NOT BE DISCLOSED TO ANYONE, OTHER THAN TYCO ELECTRONICS CORPORATION, WITHOUT WRITTEN AUTHORIZATION FROM TE (www.TE.com).

REVISIONS				
P	LTR	DESCRIPTION	DATE	APPD
-	-	SEE SHEET 1	-	-

PRODUCT DESCRIPTION CODE	TE PART NUMBER	STYLE & NUMBER OF POSITIONS	TERMINATION POSTS	LOADED ROWS	STANDARD PRE-MATING (1 MM 1)	PERFORMANCE LEVEL	BOARD LOCKS	
V42254B1101Q210	1393659-2	Q20	2,9mm STRAIGHT SOLDER LEADS	EVERY ROW , EVERY PITCH	NO	1	YES	
V42254B1101R480	1393659-3	R48	2,9mm STRAIGHT SOLDER LEADS	EVERY ROW , EVERY PITCH	NO	1	NO	
V42254B1101R960	1393659-4	R96	2,9mm STRAIGHT SOLDER LEADS	EVERY ROW , EVERY PITCH	NO	1	NO	
V42254B1101R963	1393659-5	R96	2,9mm STRAIGHT SOLDER LEADS	ROW A+C , EVERY PITCH	NO	1	NO	
V42254B1101R968	1393659-6	R96	2,9mm STRAIGHT SOLDER LEADS	ROW A+C , EVERY EVEN PITCH	NO	1	NO	
V42254B1102Q200	1393659-7	Q20	4,5mm STRAIGHT SOLDER LEADS	EVERY ROW , EVERY PITCH	NO	1	NO	
V42254B1102Q320	1393659-8	Q32	4,5mm STRAIGHT SOLDER LEADS	EVERY ROW , EVERY PITCH	NO	1	NO	
V42254B1102R480	1393659-9	R48	4,5mm STRAIGHT SOLDER LEADS	EVERY ROW , EVERY PITCH	NO	1	NO	
V42254B1102R960	1-1393659-0	R96	4,5mm STRAIGHT SOLDER LEADS	EVERY ROW , EVERY PITCH	NO	1	NO	
V42254B1102R960H	1-1393659-1	R96	4,5mm STRAIGHT SOLDER LEADS	EVERY ROW , EVERY PITCH	NO	1	NO	SUPERSEDED BY 4-1393659-5 4)
V42254B1103R960	1-1393659-2	R96	6,3mm STRAIGHT SOLDER LEADS	EVERY ROW , EVERY PITCH	NO	1	NO	
V42254B1140Q640	1-1393659-5	Q64	1,3mm STRAIGHT WIRE-WRAP PINS	EVERY ROW , EVERY PITCH	NO	1	NO	
V42254B1140R480	1-1393659-6	R48	1,3mm STRAIGHT WIRE-WRAP PINS	EVERY ROW , EVERY PITCH	NO	1	NO	
V42254B1161R960	1393658-1	R96	1,7mm PRESS-IN TERMINALS WITH WIRE-WRAP	EVERY ROW , EVERY PITCH	NO	1	NO	
V42254B1201Q200	2-1393659-0	Q20	2,9mm STRAIGHT SOLDER LEADS	EVERY ROW , EVERY PITCH	NO	2	NO	
V42254B1201Q320	2-1393659-1	Q32	2,9mm STRAIGHT SOLDER LEADS	EVERY ROW , EVERY PITCH	NO	2	NO	
V42254B1201Q640	2-1393659-2	Q64	2,9mm STRAIGHT SOLDER LEADS	EVERY ROW , EVERY PITCH	NO	2	NO	SUPERSEDED BY 3-1393659-4 1)
V42254B1201R300	2-1393659-3	R30	2,9mm STRAIGHT SOLDER LEADS	EVERY ROW , EVERY PITCH	NO	2	NO	
V42254B1201R303	2-1393659-4	R30	2,9mm STRAIGHT SOLDER LEADS	ROW A+C , EVERY PITCH	NO	2	NO	OBSOLETE
V42254B1201R410	2-1393659-5	R48	2,9mm STRAIGHT SOLDER LEADS	EVERY ROW , EVERY PITCH	NO	2	YES	
V42254B1201R480	2-1393659-6	R48	2,9mm STRAIGHT SOLDER LEADS	EVERY ROW , EVERY PITCH	NO	2	NO	
V42254B1201R913	2-1393659-7	R96	2,9mm STRAIGHT SOLDER LEADS	ROW A+C , EVERY PITCH	NO	2	YES	OBSOLETE
V42254B1201R960	2-1393659-8	R96	2,9mm STRAIGHT SOLDER LEADS	EVERY ROW , EVERY PITCH	NO	2	NO	
V42254B1201R963	2-1393659-9	R96	2,9mm STRAIGHT SOLDER LEADS	ROW A+C , EVERY PITCH	NO	2	NO	OBSOLETE
V42254B1201R968	3-1393659-0	R96	2,9mm STRAIGHT SOLDER LEADS	ROW A+C , EVERY EVEN PITCH	NO	2	NO	OBSOLETE
V42254B1202Q320	3-1393659-1	Q32	4,5mm STRAIGHT SOLDER LEADS	EVERY ROW , EVERY PITCH	NO	2	NO	
V42254B1202Q320N	3-1393659-2	Q32	4,5mm STRAIGHT SOLDER LEADS	EVERY ROW , EVERY PITCH	NO	2	NO	OBSOLETE 2)
V42254B1202Q640	3-1393659-4	Q64	4,5mm STRAIGHT SOLDER LEADS	EVERY ROW , EVERY PITCH	NO	2	NO	
V42254B1202R300	3-1393659-5	R30	4,5mm STRAIGHT SOLDER LEADS	EVERY ROW , EVERY PITCH	NO	2	NO	
V42254B1202R303	3-1393659-6	R30	4,5mm STRAIGHT SOLDER LEADS	ROW A+C , EVERY PITCH	NO	2	NO	OBSOLETE
V42254B1202R410	3-1393659-7	R48	4,5mm STRAIGHT SOLDER LEADS	EVERY ROW , EVERY PITCH	NO	2	YES	
V42254B1202R480	3-1393659-9	R48	4,5mm STRAIGHT SOLDER LEADS	EVERY ROW , EVERY PITCH	NO	2	NO	
V42254B1202R483	4-1393659-0	R48	4,5mm STRAIGHT SOLDER LEADS	ROW A+C , EVERY PITCH	NO	2	YES	
V42254B1202R910	4-1393659-1	R96	4,5mm STRAIGHT SOLDER LEADS	EVERY ROW , EVERY PITCH	NO	2	YES	
V42254B1202R913	4-1393659-2	R96	4,5mm STRAIGHT SOLDER LEADS	ROW A+C , EVERY PITCH	NO	2	YES	OBSOLETE
V42254B1202R930	4-1393659-3	R96	4,5mm STRAIGHT SOLDER LEADS	EVERY ROW , EVERY PITCH	YES	2	NO	
V42254B1202R933	4-1393659-4	R96	4,5mm STRAIGHT SOLDER LEADS	ROW A+C , EVERY PITCH	YES	2	NO	SUPERSEDED BY 4-1393659-7 1)
V42254B1202R960	4-1393659-5	R96	4,5mm STRAIGHT SOLDER LEADS	EVERY ROW , EVERY PITCH	NO	2	NO	
V42254B1202R960N	4-1393659-6	R96	4,5mm STRAIGHT SOLDER LEADS	EVERY ROW , EVERY PITCH	NO	2	NO	OBSOLETE 2)
V42254B1202R963	4-1393659-7	R96	4,5mm STRAIGHT SOLDER LEADS	ROW A+C , EVERY PITCH	NO	2	NO	
V42254B1202R965	4-1393659-8	R96	4,5mm STRAIGHT SOLDER LEADS	EVERY ROW , EVERY EVEN PITCH	NO	2	NO	
V42254B1202R968	4-1393659-9	R96	4,5mm STRAIGHT SOLDER LEADS	ROW A+C , EVERY EVEN PITCH	NO	2	NO	
V42254B1203R963	5-1393659-0	R96	6,3mm STRAIGHT SOLDER LEADS	ROW A+C , EVERY PITCH	NO	2	NO	
V42254B1230R303	5-1393659-1	R30	5,5/10mm SOLDER HOOKS	ROW A+C , EVERY PITCH	NO	2	NO	
V42254B1230R960	5-1393659-3	R96	5,5/10mm SOLDER HOOKS	EVERY ROW , EVERY PITCH	NO	2	NO	OBSOLETE
V42254B1230R963	5-1393659-4	R96	5,5/10mm SOLDER HOOKS	ROW A+C , EVERY PITCH	NO	2	NO	
V42254B1240Q640	5-1393659-6	Q64	1,3mm STRAIGHT WIRE-WRAP PINS	EVERY ROW , EVERY PITCH	NO	2	NO	
V42254B1240R300	5-1393659-7	R30	1,3mm STRAIGHT WIRE-WRAP PINS	EVERY ROW , EVERY PITCH	NO	2	NO	
V42254B1240R960	5-1393659-8	R96	1,3mm STRAIGHT WIRE-WRAP PINS	EVERY ROW , EVERY PITCH	NO	2	NO	
V42254B1240R963	5-1393659-9	R96	1,3mm STRAIGHT WIRE-WRAP PINS	ROW A+C , EVERY PITCH	NO	2	NO	
V42254B1260R483	1393658-2	R48	1,3mm PRESS-IN TERMINALS WITH WIRE-WRAP	ROW A+C , EVERY PITCH	NO	2	NO	
V42254B1260R960	1393658-3	R96	1,3mm PRESS-IN TERMINALS WITH WIRE-WRAP	EVERY ROW , EVERY PITCH	NO	2	NO	
V42254B1260R963	1393658-5	R96	1,3mm PRESS-IN TERMINALS WITH WIRE-WRAP	ROW A+C , EVERY PITCH	NO	2	NO	OBSOLETE
V42254B1261R480	1393658-7	R48	1,7mm PRESS-IN TERMINALS WITH WIRE-WRAP	EVERY ROW , EVERY PITCH	NO	2	NO	
V42254B1263Q320	9-13936501-4	Q32	3,7mm PRESS-IN TERMINALS	EVERY ROW , EVERY PITCH	NO	2	NO	
V42254B1263Q640	1393658-9	Q64	3,7mm PRESS-IN TERMINALS	EVERY ROW , EVERY PITCH	NO	2	NO	
V42254B1263R300	1-1393658-0	R30	3,7mm PRESS-IN TERMINALS	EVERY ROW , EVERY PITCH	NO	2	NO	
V42254B1263R300*40	1-1393658-1	R30	3,7mm PRESS-IN TERMINALS	EVERY ROW , EVERY PITCH	NO	2	NO	SUPERCEDED
V42254B1263R330	9-13936501-5	R30	3,7mm PRESS-IN TERMINALS	EVERY ROW , EVERY PITCH	YES	2	NO	
V42254B1263R480	1-1393658-2	R48	3,7mm PRESS-IN TERMINALS	EVERY ROW , EVERY PITCH	NO	2	NO	
V42254B1263R483	1-1393658-3	R48	3,7mm PRESS-IN TERMINALS	ROW A+C , EVERY PITCH	NO	2	NO	
V42254B1263R960	1-1393658-4	R96	3,7mm PRESS-IN TERMINALS	EVERY ROW , EVERY PITCH	NO	2	NO	
V42254B1263R963	1-1393658-5	R96	3,7mm PRESS-IN TERMINALS	ROW A+C , EVERY PITCH	NO	2	NO	
V42254B1266R300	1-1393658-6	R30	1,3mm PRESS-IN TERMINALS WITH WIRE-WRAP AN ADAPTER INSERTION AREA	EVERY ROW , EVERY PITCH	NO	2	NO	
V42254B1266R483	1-1393658-7	R48	1,3mm PRESS-IN TERMINALS WITH WIRE-WRAP AN ADAPTER INSERTION AREA	ROW A+C , EVERY PITCH	NO	2	NO	
V42254B1266R960	1-1393658-8	R96	1,3mm PRESS-IN TERMINALS WITH WIRE-WRAP AN ADAPTER INSERTION AREA	EVERY ROW , EVERY PITCH	NO	2	NO	
V42254B1266R963	1-1393658-9	R96	1,3mm PRESS-IN TERMINALS WITH WIRE-WRAP AN ADAPTER INSERTION AREA	ROW A+C , EVERY PITCH	NO	2	NO	
V42254B1270R300	3-139-6	R30	6,0mm PRESS-IN TERMINALS FOR PCB-THICKNESS >=2,2mm	EVERY ROW , EVERY PITCH	NO	2	NO	
V42254B1270R960	2-1393658-1	R96	6,0mm PRESS-IN TERMINALS FOR PCB-THICKNESS >=2,2mm	EVERY ROW , EVERY PITCH	NO	2	NO	
V42254B1270R963	2-1393658-2	R96	6,0mm PRESS-IN TERMINALS FOR PCB-THICKNESS >=2,2mm	ROW A+C , EVERY PITCH	NO	2	NO	
V42254B1270R968	2-1393658-3	R96	6,0mm PRESS-IN TERMINALS FOR PCB-THICKNESS >=2,2mm	ROW A+C , EVERY EVEN PITCH	NO	2	NO	
V42254B1468R960	3-1393658-8	R96	2,0mm PRESS-IN TERMINALS WITH WIRE-WRAP AN ADAPTER INSERTION AREA	EVERY ROW , EVERY PITCH	NO	1	NO	
V42254F1101R480	7-1393659-4	R48	2,9mm STRAIGHT SOLDER LEADS	EVERY ROW , EVERY PITCH	NO	1	NO	3)
V42254F1201R410	7-1393659-5	R48	2,9mm STRAIGHT SOLDER LEADS	EVERY ROW , EVERY PITCH	NO	2	YES	3)

- 4) ACCORDING TO BT 222 LEVEL 1.
- 3) CONNECTORS WITH FLUX-TIGHT COATING.
- 2) NO COMPANY NAME MARKED ON THE CONNECTOR.
- 1) FIRST AND LAST CONTACT OF EACH LOADED ROW IS A PRE-MATING (MAKE FIRST / BREAK LAST) CONTACT.

ACTIVE PART NUMBERS.
 CONTACT TE FOR OTHER CONFIGURATION AVAILABILITY.

THIS INFORMATION IS CONFIDENTIAL AND PROPRIETARY TO TYCO ELECTRONICS CORPORATION AND ITS WORLDWIDE SUBSIDIARIES AND AFFILIATES. IT MAY NOT BE DISCLOSED TO ANYONE, OTHER THAN TYCO ELECTRONICS CORPORATION, WITHOUT WRITTEN AUTHORIZATION FROM TE (www.TE.com).

THIS DRAWING IS A CONTROLLED DOCUMENT.		OWN CUVELIER	21FEB99	STE TE Connectivity	
DIMENSIONS: mm		CHK -	APVD -	NAME PIN ASSEMBLY EUROCARD TYPES Q AND R AND SHORT VERSIONS	
TOLERANCES UNLESS OTHERWISE SPECIFIED: 0 PLC ± - 1 PLC ± - 2 PLC ± - 3 PLC ± - 4 PLC ± - ANGLES ± -		PRODUCT SPEC -	APPLICATION SPEC -	SIZE A1	
MATERIAL -		FINISH -	WEIGHT -	SCALE NTS	RESTRICTED TO -
CUSTOMER DRAWING			SCALE NTS	SHEET 3 OF 3	REV H



Компания «ЭлектроПласт» предлагает заключение долгосрочных отношений при поставках импортных электронных компонентов на взаимовыгодных условиях!

Наши преимущества:

- Оперативные поставки широкого спектра электронных компонентов отечественного и импортного производства напрямую от производителей и с крупнейших мировых складов;
- Поставка более 17-ти миллионов наименований электронных компонентов;
- Поставка сложных, дефицитных, либо снятых с производства позиций;
- Оперативные сроки поставки под заказ (от 5 рабочих дней);
- Экспресс доставка в любую точку России;
- Техническая поддержка проекта, помощь в подборе аналогов, поставка прототипов;
- Система менеджмента качества сертифицирована по Международному стандарту ISO 9001;
- Лицензия ФСБ на осуществление работ с использованием сведений, составляющих государственную тайну;
- Поставка специализированных компонентов (Xilinx, Altera, Analog Devices, Intersil, Interpoint, Microsemi, Aeroflex, Peregrine, Syfer, Eurofarad, Texas Instrument, Miteq, Cobham, E2V, MA-COM, Hittite, Mini-Circuits, General Dynamics и др.);

Помимо этого, одним из направлений компании «ЭлектроПласт» является направление «Источники питания». Мы предлагаем Вам помощь Конструкторского отдела:

- Подбор оптимального решения, техническое обоснование при выборе компонента;
- Подбор аналогов;
- Консультации по применению компонента;
- Поставка образцов и прототипов;
- Техническая поддержка проекта;
- Защита от снятия компонента с производства.



Как с нами связаться

Телефон: 8 (812) 309 58 32 (многоканальный)

Факс: 8 (812) 320-02-42

Электронная почта: org@eplast1.ru

Адрес: 198099, г. Санкт-Петербург, ул. Калинина, дом 2, корпус 4, литера А.