

**HEADERS CODINGS**

(CODING 2 SHOWN)

HEADERS CODINGS FOR MODULE T2 (32W)					
COLOR	CODING	DIM. A	DIM. B	DIM. C	DIM. D
BLACK	1	9.1	4.3	5.9	4.3
GREY	2	7.5	5.9	9.1	5.9
BROWN	3	5.9	7.5	9.1	9.1
GREEN	4	7.5	9.1	4.3	4.3
BLUE	5	4.3	7.5	5.9	5.9
YELLOW	6	9.1	7.5	4.3	7.5

(CODING 3 SHOWN)

HEADERS CODINGS FOR MODULE T3 (48W)					
COLOR	CODING	DIM. A	DIM. B	DIM. C	DIM. D
BLACK	1	12.9	6.3	8.5	6.3
GREY	2	10.7	8.5	12.9	8.5
BROWN	3	8.5	10.7	12.9	12.9
GREEN	4	10.7	12.9	6.3	6.3
BLUE	5	6.3	10.7	8.5	8.5
YELLOW	6	12.9	10.7	6.3	10.7

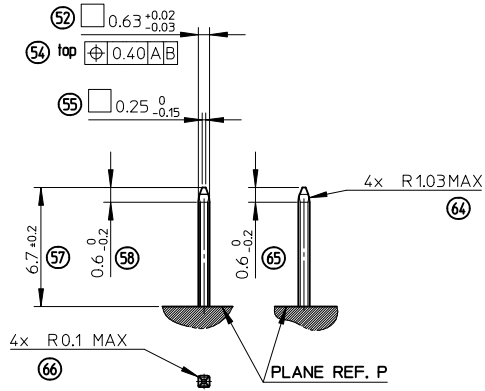
**NOTE:**

- 1- INTERFACE DEFINITION BASED ON NFR13-462 STANDARD.
- 2- HEADER: ELASTICITY MODULUS: 8000Mpa min. (INITIAL CONDITION BEFORE AGEING)

<b>ENTER DESCRIPTION</b> EC NO: G2010-0220 DRAWN: POCHELE 2010/05/20 CHKD: J. GIURIATO 2008/10/03 APPR: CBOUCHAN 2010/06/29	<b>GENERAL TOLERANCES (UNLESS SPECIFIED)</b> <table border="1"> <tr> <th></th> <th>m/m</th> <th>INCH</th> </tr> <tr> <td>4 PLACES</td> <td>± ---</td> <td>± ---</td> </tr> <tr> <td>3 PLACES</td> <td>± ---</td> <td>± ---</td> </tr> <tr> <td>2 PLACES</td> <td>± 0.10</td> <td>± ---</td> </tr> <tr> <td>1 PLACE</td> <td>± 0.10</td> <td>± ---</td> </tr> </table>			m/m	INCH	4 PLACES	± ---	± ---	3 PLACES	± ---	± ---	2 PLACES	± 0.10	± ---	1 PLACE	± 0.10	± ---	<b>DIMENSION STYLE</b> MM ONLY	<b>SCALE</b> 2:1	<b>DESIGN UNITS</b> METRIC	<b>FIRST ANGLE PROJECTION</b>
		m/m	INCH																		
4 PLACES	± ---	± ---																			
3 PLACES	± ---	± ---																			
2 PLACES	± 0.10	± ---																			
1 PLACE	± 0.10	± ---																			
<b>DRAFT WHERE APPLICABLE MUST REMAIN WITHIN DIMENSIONS</b>	<b>APPROVED BY</b> O. PLESSIS 2008/10/06	<b>DATE</b> 2008/10/07	<b>TITLE</b> INTERFACES FOR CONNECTOR 32 & 48 CKT CMC GENERIC SALES DRAWING	<b>MATERIAL NO.</b> N/A	<b>DOCUMENT NO.</b> SD-98644-006	<b>SHEET NO.</b> 1 OF 3															

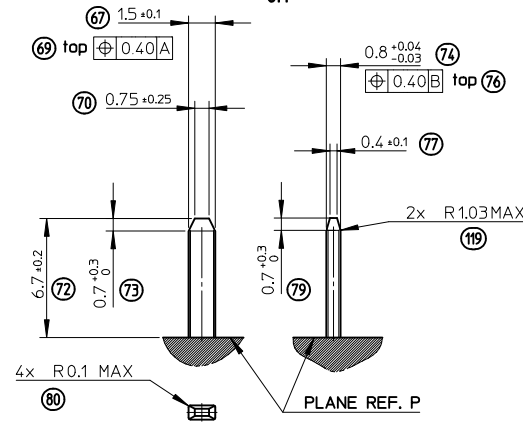
**PINS 0.635 DEFINITION**

5:1



**TABS 1.5 DEFINITION**

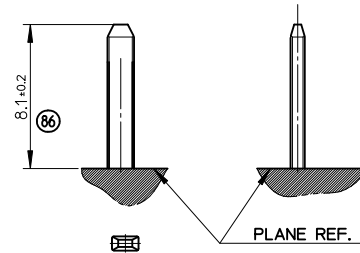
5:1



**GROUND TABS 1.5 DEFINITION**

5:1

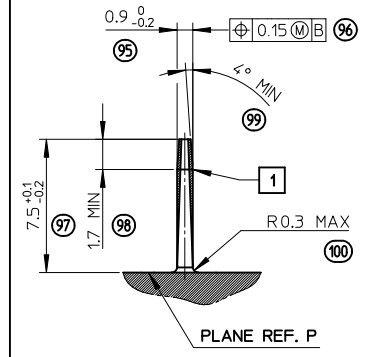
FOR OTHER DIMENSIONS  
SEE TABS 1.5 DEFINITION



**PROTECTION WALL DEFINITION**

5:1

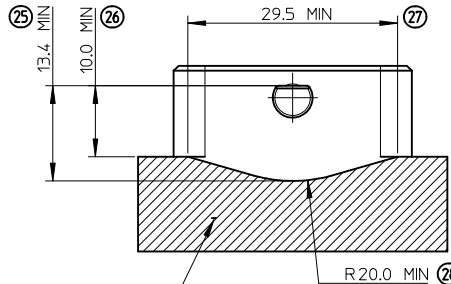
1 :SHAPES ALLOWED



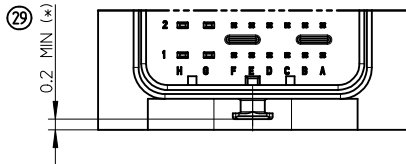
**LOCKING AXIS PROTECTION**

2:1

MANDATORY OVERTHICKNESS: dimension noted (\*)  
IF THE LOCKING AXIS ARE OUT OF  
EQUIPMENT OVERALL DIMENSIONS.

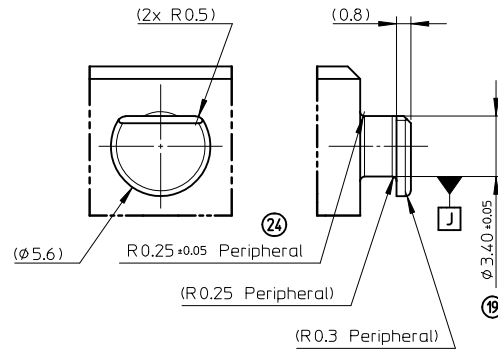


ADMISSIBLE SHAPES WITH OVERTHICKNESS 0.2 MIN (\*)



**LOCKING AXIS DEFINITION**

5:1



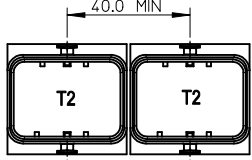
<b>ENTER DESCRIPTION</b> EC NO: G2010-0220 DRAWN: P. CHELE 2010/05/20 CHKD: J. GIURIATO 2008/10/03 APPR: C. BOUCHAN 2010/06/29	GENERAL TOLERANCES (UNLESS SPECIFIED)		DIMENSION STYLE <b>MM ONLY</b>		SCALE 1:1	DESIGN UNITS METRIC	FIRST ANGLE PROJECTION	
	4 PLACES	± ---	± ---	DRAWN BY G. DESBRUERES	DATE 2008/10/02	TITLE INTERFACES FOR CONNECTOR 32 & 48 CKT CMC GENERIC SALES DRAWING		
	3 PLACES	± ---	± ---	CHECKED BY J. GIURIATO	DATE 2008/10/03	MOLEX INCORPORATED		
	2 PLACES	± 0.10	± ---	APPROVED BY O. PLESSIS	DATE 2008/10/06	DOCUMENT NO. SD-98644-006	SHEET NO. 2 OF 3	
1 PLACE	± 0.10	± ---	ANGULAR ± 2°		MATERIAL NO. N/A			
DRAFT WHERE APPLICABLE MUST REMAIN WITHIN DIMENSIONS			THIS DRAWING CONTAINS INFORMATION THAT IS PROPRIETARY TO MOLEX INCORPORATED AND SHOULD NOT BE USED WITHOUT WRITTEN PERMISSION					

# CONNECTOR ON HEADER - OVERALL DIMENSIONS

MULTI-HEADERS LAYOUT

**LAYOUT FOR TWO INTERFACES T2 (32W)**

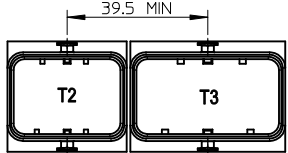
FOR SAME HARNESS EXIT CONFIGURATION



FOR OPPOSITE HARNESS EXIT CONFIGURATION

**LAYOUT FOR TWO INTERFACES T2 (32W) AND T3 (48W)**

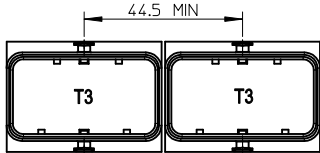
FOR SAME HARNESS EXIT CONFIGURATION



FOR OPPOSITE HARNESS EXIT CONFIGURATION

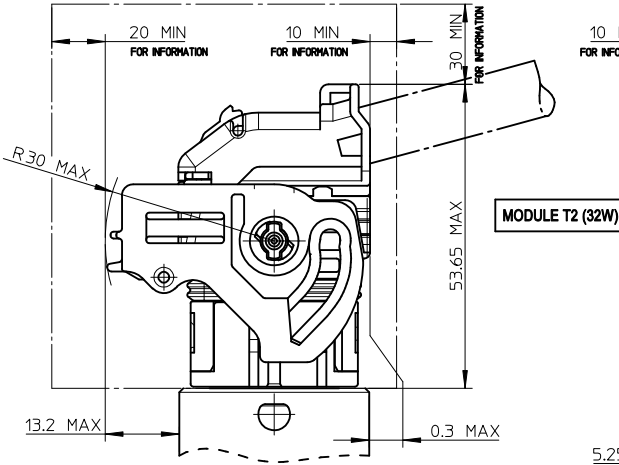
**LAYOUT FOR TWO INTERFACES T3 (48W)**

FOR SAME HARNESS EXIT CONFIGURATION

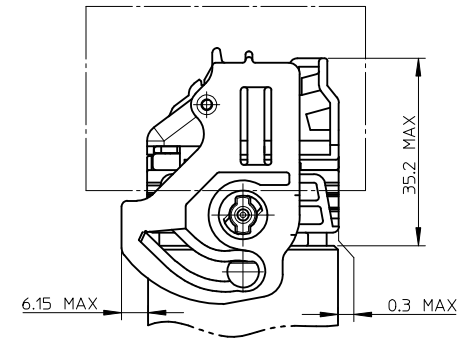


FOR OPPOSITE HARNESS EXIT CONFIGURATION

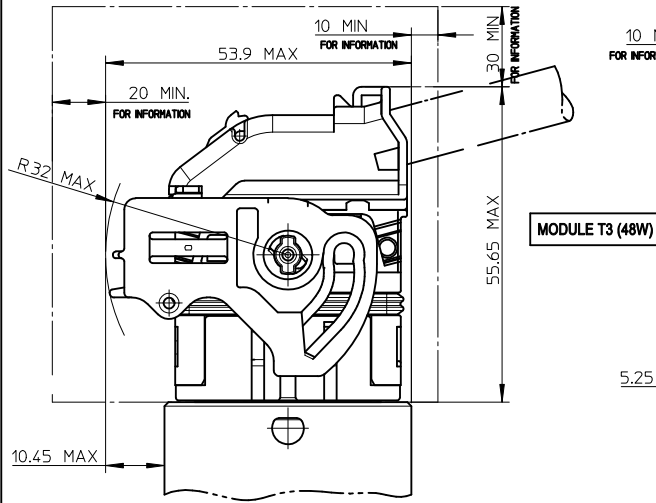
**UNLOCKED CONNECTOR - OVERALL DIMENSIONS**



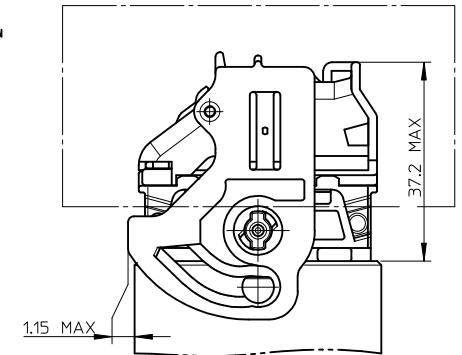
**LOCKED CONNECTOR - OVERALL DIMENSIONS**



**UNLOCKED CONNECTOR - OVERALL DIMENSIONS**



**LOCKED CONNECTOR - OVERALL DIMENSIONS**



NOTE:  
1- T2 = 32 WAY / T3 = 48 WAY

**LEGEND:**



FREE VOLUME FOR MANUAL LOCKING AND UNLOCKING  
DIMENSIONS GIVEN FOR INFORMATION ONLY TO BE  
CONFIRMED BASED UPON VEHICLE CONFIGURATION.

REV	DESCRIPTION
01	ENTER DESCRIPTION
02	EC NO: G2010-0220
03	DRW: NPECHELE 2010/05/20
04	CHK: J. GIURIATO 2008/10/03
05	APPR: EBOULCHAN 2010/06/29

**GENERAL TOLERANCES (UNLESS SPECIFIED)**

	mm	INCH
4 PLACES	± 0.10	± 0.004
3 PLACES	± 0.15	± 0.005
2 PLACES	± 0.20	± 0.008
1 PLACE	± 0.30	± 0.012
ANGULAR ± 2 °		

DRAFT WHERE APPLICABLE  
MUST REMAIN  
WITHIN DIMENSIONS

**DIMENSION STYLE**

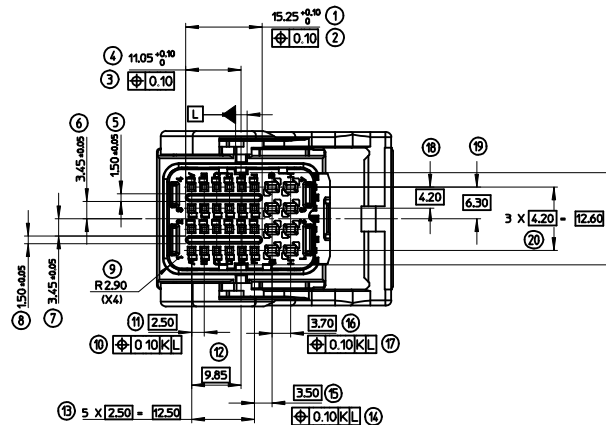
MM ONLY	DATE
DRAWN BY	G. DESBRUERES 2008/10/02
CHECKED BY	J. GIURIATO 2008/10/03
APPROVED BY	O. PLESSIS 2008/10/06
MATERIAL NO.	N/A

**SCALE** 1:1 **DESIGN UNITS** METRIC **FIRST ANGLE PROJECTION**

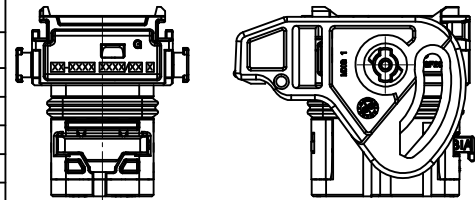
TITLE	SHEET NO.
INTERFACES FOR CONNECTOR 32 & 48 CKT CMC GENERIC SALES DRAWING	3 OF 3
<b>MOLEX</b> MOLEX INCORPORATED	
DOCUMENT NO. SD-98644-006	

SIZE A2  
THIS DRAWING CONTAINS INFORMATION THAT IS PROPRIETARY TO MOLEX  
INCORPORATED AND SHOULD NOT BE USED WITHOUT WRITTEN PERMISSION

■ INDICATION DIMENSIONS S.P.C  
 DENOTES S.P.C DIMENSIONS  
 ● INDICATION DIMENSIONS CRITIQUES  
 DENOTES CRITICAL DIMENSIONS  
 ● INDICATION DIMENSIONS FONCTIONNELLES  
 DENOTES FUNCTIONAL DIMENSIONS  
 ■ QUANTITE PAR FEUILLE INDIVIDUELLE  
 QUANTITY PER INDIVIDUAL SHEET  
 ■ - 0    ● - 0    ● - 3

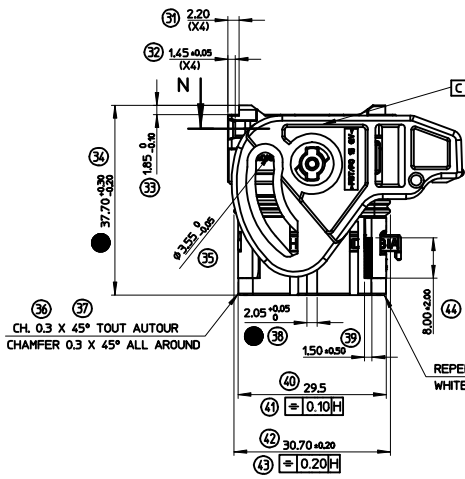
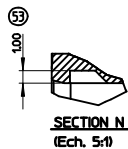
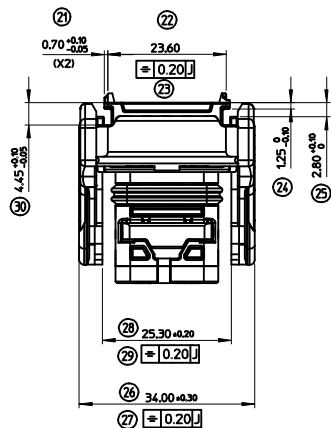


PORTE-CLIPS 32 VOIES SORTIE DROITE FEMALE MODULE 32 WAY RIGHT WIRE OUTPUT	
REF. MOLEX / MOLEX P/N	COULEUR/COULEUR
0989442001	NOIR/BLACK
0989442002	GRIS/GREY
0989442003	MARRON/BROWN
0989442004	VERT/GREEN
0989442005	BLEU/BLUE
PORTE-CLIPS 32 VOIES SORTIE GAUCHE FEMALE MODULE 32 WAY LEFT WIRE OUTPUT	
REF. MOLEX / MOLEX P/N	COULEUR/COULEUR
0989443001	NOIR/BLACK
0989443002	GRIS/GREY
0989443003	MARRON/BROWN
0989443004	VERT/GREEN
0989443005	BLEU/BLUE



(LEVIER NON REPRESENTE)  
(LEVER NOT SHOWN)

LETTRE G VISIBLE, SORTIE GAUCHE  
LETTER G VISIBLE, LEFT WIRE OUTPUT

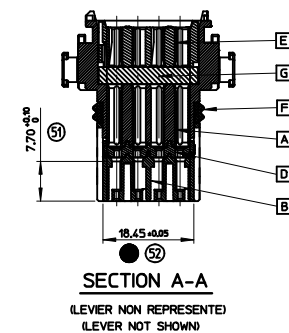
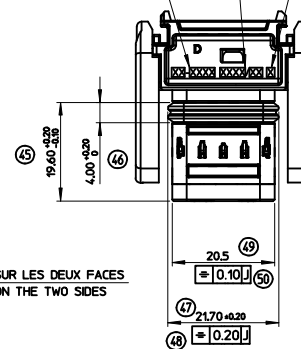


CH. 0.3 X 45° TOUT AROUND  
CHAMFER 0.3 X 45° ALL AROUND

REPÈRE BLANC SUR LES DEUX FACES  
WHITE MARKING ON THE TWO SIDES

REFERENCE MOLEX  
MOLEX PART NUMBER

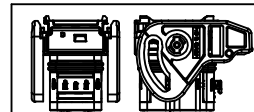
QUANTIEME/ANNEE DE L'ASSEMBLAGE  
DAY IN YEAR/YEAR OF ASSEMBLY  
INDICE DE REVISION DU PLAN CLIENT  
CUSTOMER DRAWING REVISION LEVEL



SECTION A-A  
(LEVIER NON REPRESENTE)  
(LEVER NOT SHOWN)

NOTES:

- LE PORTE-CLIPS ASSEMBLE REPRESENTE EST LA VERSION SORTIE DROITE CODAGE 1  
FOR ILLUSTRATION PURPOSE THE FEMALE MODULE SHOWN IS THE RIGHT WIRE OUTPUT VERSION CODING 1
- IMPLANTATION DES CLIPS, ENCOMBREMENTS, DETROMPAGE SUIVANT INTERFACE CONNECTIQUE PSA STE 9629500099 ET RENAULT 7710 001 079  
CLIPS LAYOUT, CODING FOLLOWING PSA INTERFACE CONNECTIQUE STE 9629500099 AND RENAULT 7710 001 079
- REFERENCE DES CONNEXIONS SUIVANT STE 9637276380 ET STE 9628421380  
TERMINAL PART NUMBER FOLLOWING STE 9637276380 AND STE 9628421380
- PRODUIT CONFORME A LA SPECIFICATION PSA STE 9629568099  
PRODUCT IN ACCORDANCE WITH PSA SPECIFICATION STE 9629568099
- CAHIER DE PRECONISATION : RAS-98644-005  
APPLICATION SPECIFICATION : RAS-98644-005
- LE PORTE-CLIPS EQUIPE S'ASSEMBLE AVEC LE CAPOT REFERENCE : 0986491003  
THE ASSEMBLED FEMALE MODULE IS ASSEMBLED WITH THE COVER PART NUMBER : 0986491003
- POIDS PIECE: 30,275 g  
PART WEIGHT: 30.275 g



ECHELLE 1:1  
SCALE 1:1

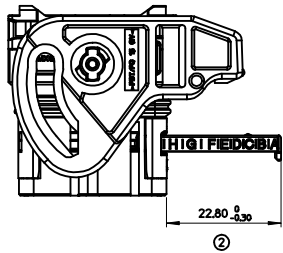
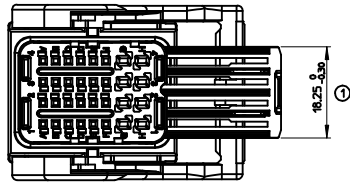
2	C2
1	C2
SHT/REV	

0986570001	G	JOINT GEL GROMMET GEL GROMMET SEAL	SILICONE	BLEU/BLUE
0986560001	F	JOINT INTERFACIAL PERIMETER SEAL	SILICONE	BLEU/BLUE
0986481001	E	GRILLE DE COMPRESSION REAR SEAL COVER	PBTP 20% GF.	BLEU/BLUE
0986471001	D	DOUBLE VERROUILLAGE SECONDARY LOCKING	PBTP 30% GF.	VERT/GREEN
0986461001	C	LEVIER/LEVER	PBT/PC 15% GF.	GRIS/GREY
0986451005	B	BOTIER INFERIEUR BOTTOM HOUSING	PBTP 20% GF.	BLEU/BLUE
0986451004				VERT/GREEN
0986451003				MARRON/BROWN
0986451002				GRIS/GREY
0986451001	A	BOTIER SUPERIEUR TOP HOUSING	PBTP 20% GF.	NOIR/BLACK
REF. MOLEX MOLEX PART NUMBER	REP.	DESIGNATION	MATIERE/MATERIAL	COULEUR/COULEUR

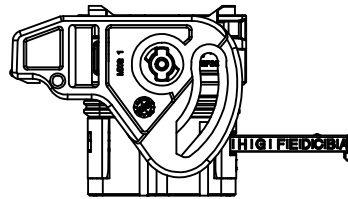
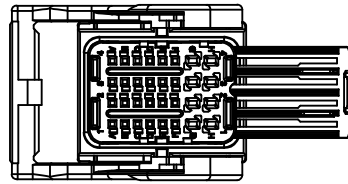
EC NO: G2009-0313 DRW:NIPGRANDLZ009/06/18 CHKD:PDECHELEZ009/06/18 APPR:CB0UCHANZ009/06/18	GENERAL TOLERANCES (UNLESS SPECIFIED)		SCALE 2:1	DESIGN UNITS METRIC	FIRST ANGLE PROJECTION REVISE ON CAD ONLY	TITLE <b>PORTE-CLIPS 32 VOIES CMC          FEMALE MODULE CMC 32 WAY          SALES DRAWING</b> MOLEX MOLEX INCORPORATED				
	4 PLACES ± --- ± ---	3 PLACES ± --- ± ---	2 PLACES ± 0.10 ± ---	1 PLACE ± 0.15 ± ---			ANGULAR ± 1°	DIMENSION STYLE MM ONLY DRAWN BY DATE PGR 99/12/12 CHECKED BY DATE PDE 00/02/02 APPROVED BY DATE CBO 00/02/02	MATERIAL NO. SEE CHART	DOCUMENT NO. SD-98944-010
	DRAFT WHERE APPLICABLE MUST REMAIN WITHIN DIMENSIONS						THIS DRAWING CONTAINS INFORMATION THAT IS PROPRIETARY TO MOLEX INCORPORATED AND SHOULD NOT BE USED WITHOUT WRITTEN PERMISSION			
	C2		REV		A1					

ENCOMBREMENT PORTE-CLIPS D.V. POSITION MONTAGE CLIP  
FEMALE MODULE LAYOUT SECONDARY LOCKING POSITION FOR CLIP ASSEMBLY

PORTE-CLIPS SORTIE DROITE  
FEMALE MODULE RIGHT WIRE OUTPUT

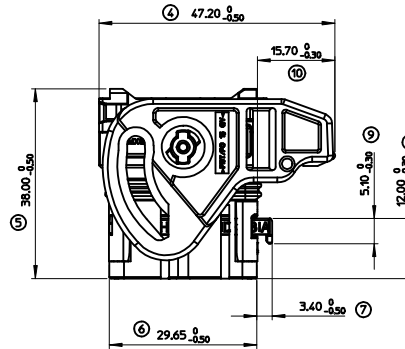
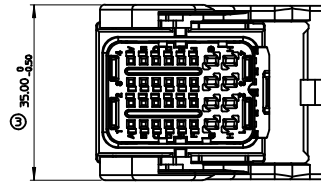


PORTE-CLIPS SORTIE GAUCHE  
FEMALE MODULE LEFT WIRE OUTPUT

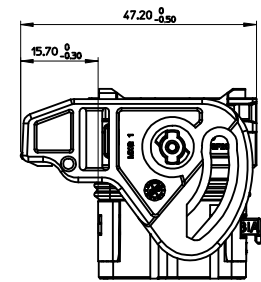
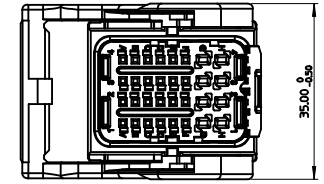


ENCOMBREMENT PORTE-CLIPS D.V. POSITION LIVRAISON  
FEMALE MODULE LAYOUT SECONDARY LOCKING IN DELIVERY POSITION

PORTE-CLIPS SORTIE DROITE  
FEMALE MODULE RIGHT WIRE OUTPUT

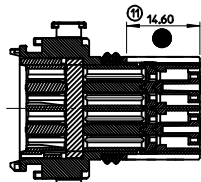
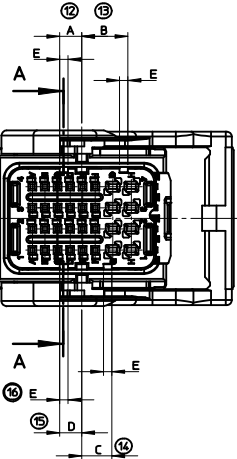


PORTE-CLIPS SORTIE GAUCHE  
FEMALE MODULE LEFT WIRE OUTPUT



POSITION DES DETROMPAGE  
CODING POSITION

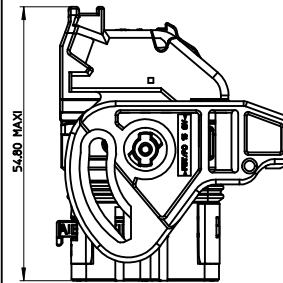
COULEUR/COLOUR	DETROMPAGE/CODING	A <sup>+0.10</sup> / <sub>0</sub>	B <sup>+0.10</sup> / <sub>0</sub>	C <sup>+0.10</sup> / <sub>0</sub>	D <sup>+0.10</sup> / <sub>0</sub>	E <sup>+0.10</sup> / <sub>0</sub>
NOIR/BLACK	1	4.40	9.15	5.95	4.40	1.65
GRIS/GREY	2	5.95	7.60	9.15	5.95	1.65
MARRON/BROWN	3	7.60	5.95	9.15	9.15	1.65
VERT/GREEN	4	9.15	7.60	4.40	4.40	1.65
BLEU/BLUE	5	7.60	4.40	5.95	5.95	1.65



SECTION A-A  
(LEVER NON REPRESENTÉ)  
(LEVER NOT SHOWN)

INDICATION DIMENSIONS S.P.C DENOTES S.P.C DIMENSIONS  
 INDICATION DIMENSIONS CRITIQUES DENOTES CRITICAL DIMENSIONS  
 INDICATION DIMENSIONS FONCTIONNELLES DENOTES FUNCTIONAL DIMENSIONS  
 QUANTITE PAR FEUILLE INDIVIDUELLE  
 QUANTITY PER INDIVIDUAL SHEET  
 0     0     1

ENCOMBREMENT HORS-TOUT  
OVERALL DIMENSION



CONTACTS  
FEMALE TERMINAL

REPERE ALVEOLES CAVITIES NUMBER	CONTACTS FEMALE TERMINAL	REF. MOLEX MOLEX P/N	DIAMETRE ISOLANT FIL MINI / MAXI MIN / MAX WIRE INSULATION DIAMETER
A1 à F1	CLIP 0,63 (0.35mm2 à 0.60mm2)	0986581211	Ø125 min / Ø190 max
A2 à F2		0986581213	
A3 à F3	CLIP 0,63 (0.75mm2)	0986581212	Ø160 min / Ø190 max
A4 à F4		0989151029	
G1 à G4	CLIP 1,5 (0.5mm2 à 1mm2)	0989151029	Ø140 min / Ø215 max
H1 à H4		0989151039	

EC NO: G2009-0313 DRW: PGRANDL2009/06/18 CHK: DCEHELEZ09/06/18 APPR: CBOUCHANZ09/06/18	GENERAL TOLERANCES (UNLESS SPECIFIED)	SCALE 2:1	DESIGN UNITS METRIC	FIRST ANGLE PROJECTION	REVISE ON CAD ONLY														
	<table border="1"> <thead> <tr> <th>PLACES</th> <th>mm</th> <th>INCH</th> </tr> </thead> <tbody> <tr> <td>4 PLACES</td> <td>± 0.10</td> <td>± 0.004</td> </tr> <tr> <td>3 PLACES</td> <td>± 0.15</td> <td>± 0.006</td> </tr> <tr> <td>2 PLACES</td> <td>± 0.20</td> <td>± 0.008</td> </tr> <tr> <td>1 PLACE</td> <td>± 0.25</td> <td>± 0.010</td> </tr> </tbody> </table> ANGULAR ± 1°	PLACES	mm	INCH	4 PLACES	± 0.10	± 0.004	3 PLACES	± 0.15	± 0.006	2 PLACES	± 0.20	± 0.008	1 PLACE	± 0.25	± 0.010	DIMENSION STYLE MM ONLY	DRAWN BY PGR	DATE 99/12/12
PLACES	mm	INCH																	
4 PLACES	± 0.10	± 0.004																	
3 PLACES	± 0.15	± 0.006																	
2 PLACES	± 0.20	± 0.008																	
1 PLACE	± 0.25	± 0.010																	
DRAFT WHERE APPLICABLE MUST REMAIN WITHIN DIMENSIONS	APPROVED BY CBO	DATE 00/02/02	MATERIAL NO. SEE CHART	DOCUMENT NO. SD-98944-010	SHEET NO. 2 OF 2														

THIS DRAWING CONTAINS INFORMATION THAT IS PROPRIETARY TO MOLEX  
 INCORPORATED AND SHOULD NOT BE USED WITHOUT WRITTEN PERMISSION





Компания «ЭлектроПласт» предлагает заключение долгосрочных отношений при поставках импортных электронных компонентов на взаимовыгодных условиях!

Наши преимущества:

- Оперативные поставки широкого спектра электронных компонентов отечественного и импортного производства напрямую от производителей и с крупнейших мировых складов;
- Поставка более 17-ти миллионов наименований электронных компонентов;
- Поставка сложных, дефицитных, либо снятых с производства позиций;
- Оперативные сроки поставки под заказ (от 5 рабочих дней);
- Экспресс доставка в любую точку России;
- Техническая поддержка проекта, помощь в подборе аналогов, поставка прототипов;
- Система менеджмента качества сертифицирована по Международному стандарту ISO 9001;
- Лицензия ФСБ на осуществление работ с использованием сведений, составляющих государственную тайну;
- Поставка специализированных компонентов (Xilinx, Altera, Analog Devices, Intersil, Interpoint, Microsemi, Aeroflex, Peregrine, Syfer, Eurofarad, Texas Instrument, Miteq, Cobham, E2V, MA-COM, Hittite, Mini-Circuits, General Dynamics и др.);

Помимо этого, одним из направлений компании «ЭлектроПласт» является направление «Источники питания». Мы предлагаем Вам помощь Конструкторского отдела:

- Подбор оптимального решения, техническое обоснование при выборе компонента;
- Подбор аналогов;
- Консультации по применению компонента;
- Поставка образцов и прототипов;
- Техническая поддержка проекта;
- Защита от снятия компонента с производства.



#### Как с нами связаться

**Телефон:** 8 (812) 309 58 32 (многоканальный)

**Факс:** 8 (812) 320-02-42

**Электронная почта:** [org@eplast1.ru](mailto:org@eplast1.ru)

**Адрес:** 198099, г. Санкт-Петербург, ул. Калинина, дом 2, корпус 4, литера А.