



General Description

The CY8CMBR3xxx CapSense® Express™ controllers enable advanced, yet easy-to-implement, capacitive touch sensing user interface solutions. This register-configurable family, which supports up to 16 capacitive sensing inputs, eliminates time-consuming firmware development. These controllers are ideal for implementing capacitive buttons, sliders, and proximity sensing solutions with minimal development-cycle times.

The CY8CMBR3xxx family features an advanced analog sensing channel and the Capacitive Sigma Delta PLUS (CSD PLUS) sensing algorithm, which delivers a signal-to-noise ratio (SNR) of greater than 100:1 to ensure touch accuracy even in extremely noisy environments. These controllers are enabled with Cypress's SmartSense™ Auto-tuning algorithm, which compensates for manufacturing variations and dynamically monitors and maintains optimal sensor performance in all environmental conditions. In addition, SmartSense Auto-tuning enables a faster time-to-market by eliminating the time-consuming manual tuning efforts during development and production ramp-up.

Advanced features, such as LED brightness control, proximity sensing, and system diagnostics, save development time. These controllers enable robust water-tolerant designs by eliminating false touches due to mist, water droplets, or streaming water. The CY8CMBR3xxx controllers are offered in a variety of small form factor industry-standard packages.

The ecosystem for the CY8CMBR3xxx family includes development tools—software and hardware—to enable rapid user interface designs. For example, the EZ-Click Customizer tool is a simple graphical user interface software for configuring the device features through the I²C interface. This tool also supports CapSense data viewing to monitor system performance and support validation and debugging. Another tool, the Design Toolbox, simplifies circuit board layout by providing design guidelines and layout recommendations to optimize sensor size, trace lengths, and parasitic capacitance. To quickly evaluate the CY8CMBR3xxx family features, use the [CY3280-MBR3 Evaluation Kit](#).

Features

- Register-configurable CapSense Express controller
 - No firmware development required
 - Patented CSD sensing algorithm
 - High sensitivity (0.1 pF)
 - Overlay thickness of up to 15 mm for glass and 5 mm for plastic
 - Proximity solutions
 - Sensitivity up to 2 fF per count
 - Best-in-class >100:1 SNR performance
 - Superior noise-immunity performance against conducted and radiated noise
 - Ultra-low radiated emissions
 - SmartSense Auto-tuning
 - Sets and maintains optimal sensor performance during run time
 - Eliminates manual tuning during development and production
- Low-power CapSense
 - Average current consumption of 22 μ A per sensor at 120-ms refresh interval
 - Wide parasitic capacitance (C_p) range: 5–45 pF
- Advanced user interface features
 - Water tolerance
 - User-configurable LED brightness for visual touch feedback
 - Up to eight high-sink current GPOs to drive LEDs
 - Buzzer signal output for audible touch feedback
 - Flanking Sensor Suppression (FSS) to eliminate false touches in closely spaced buttons
 - Analog voltage output
 - Attention line interrupt to the host to indicate any change in sensor status
- System diagnostics to detect
 - Improper value of the modulating capacitor (CMOD)
 - Out of range sensor parasitic capacitance (C_p)
 - Sensor shorts
- EZ-Click™ Customizer tool
 - Simple GUI for device configuration
 - Data viewing and monitoring for CapSense buttons, sliders, and proximity sensors
 - System diagnostics for rapid debug
- I²C slave
 - Supports up to 400 kHz
 - Wake-on-hardware address match
 - No bus-stalling or clock-stretching during transactions
- Low-power 1.71-V to 5.5-V operation
 - Deep Sleep mode with wake-up on interrupt and I²C address detect
- Industrial temperature range: –40 °C to +85 °C
- Package options
 - 8-pin SOIC (150 mil)
 - 16-pin SOIC (150 mil)
 - 16-pin QFN (3 × 3 × 0.6 mm)
 - 24-pin QFN (4 × 4 × 0.6 mm)

Contents

System Overview	3	LED ON Time	13
Features Overview	4	Toggle	14
CapSense Sensors	4	Buzzer Signal Output	14
Sliders	4	Host Interrupt.....	15
Proximity Sensors	4	Latch Status Output.....	15
SmartSense Auto-tuning	4	Analog Voltage Output	15
Water Tolerance.....	4	System Diagnostics.....	16
Noise Immunity.....	4	Example Application Schematics	17
Flanking Sensor Suppression (FSS).....	4	Power Supply Information	19
Touch Feedback.....	4	Electrical Specifications	20
General-Purpose Outputs (GPOs)	4	Absolute Maximum Ratings.....	20
Buzzer Drive	4	Operating Temperature	20
Register Configurability	5	DC Electrical Characteristics.....	20
Communication to Host.....	5	AC Electrical Specifications.....	21
System Diagnostics.....	5	I2C Specifications.....	22
Ultra-Low Power Consumption.....	5	System Specifications	23
Pinouts	6	Power Consumption and Operational States	25
CY8CMBR3116 (16 Sensing Inputs).....	6	Response Time	27
CY8CMBR3106S (16 Sensing Inputs; Sliders Supported) 7		CY8CMBR3xxx Resets	27
CY8CMBR3108 (8 Sensing Inputs).....	8	Host Communication Protocol	27
CY8CMBR3110 (10 Sensing Inputs).....	9	I2C Slave Address.....	27
CY8CMBR3102 (2 Sensing Inputs).....	10	I2C Communication Guidelines.....	28
CY8CMBR3002 (2 Sensing Inputs).....	10	Write Operation	28
CY8CMBR3xxx Ecosystem	11	Setting the Device Data Pointer	28
Documentation	11	Read Operation	29
Design Guides	11	Layout Guidelines and Best Practices	30
Registers TRM	11	Ordering Information	30
Software Utility	11	Packaging Dimensions	31
EZ-Click Customizer Tool.....	11	Thermal Impedances.....	33
Tools	11	Solder Reflow Specifications.....	33
Design Toolbox	11	Appendix	34
Evaluation Kits.....	11	Units of Measure	34
Online	11	Glossary	35
Training	11	Reference Documents	35
Technical Support	11	Document History Page	36
Device Feature Details	12	Sales, Solutions, and Legal Information	38
Automatic Threshold	12	Worldwide Sales and Design Support.....	38
Sensitivity Control.....	12	Products	38
Sensor Auto Reset	12	PSoC® Solutions	38
Noise Immunity.....	13	Cypress Developer Community.....	38
Flanking Sensor Suppression	13	Technical Support	38
General-Purpose Outputs	13		

System Overview

A capacitive sensor detects changes in capacitance to determine the presence of a touch or proximity to conductive objects. The capacitive sensor can be a capacitive button that replaces the traditional mechanical buttons, a capacitive slider that replaces mechanical knobs, or a proximity sensor that replaces an infrared sensor in a user interface solution. A typical capacitive user interface system consists of the following:

- A capacitive sensor
- An audio-visual output, such as a buzzer or an LED
- A capacitive sensing controller connected to the sensor
- A host processor

The capacitive controller connects the sensor and the output to the host processor through a communication interface, such as an I²C or a GPO.

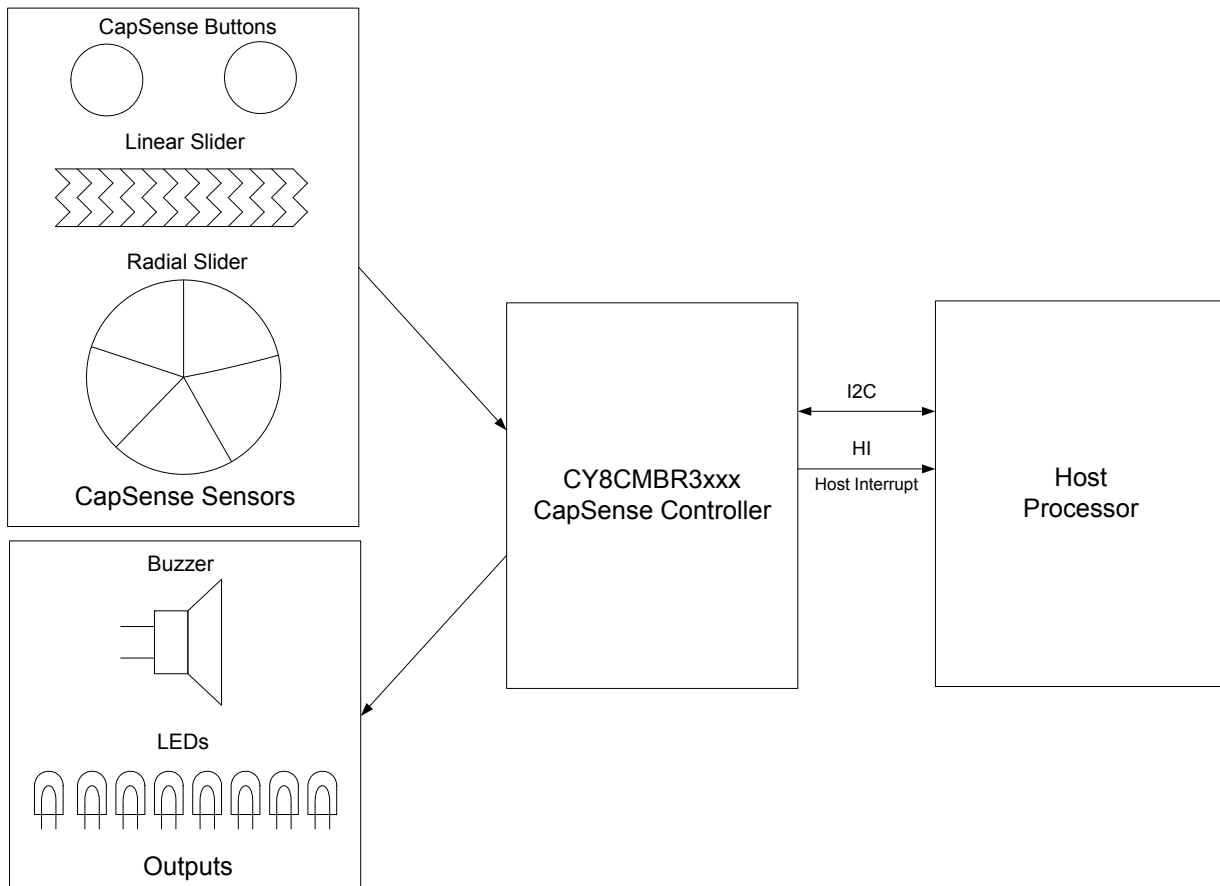
The capacitive user interface system serves as a human-machine interface that takes the user's touch inputs and provides audio-visual feedback through a buzzer or an LED. CY8CMBR3xxx is a family of capacitive sensing controllers,

which senses the change in capacitance based on touch or proximity, and controls the user interface system accordingly. The sensing algorithm, built in the controllers, determines the presence of touch and drives the outputs or sends signals to the host processor. This algorithm can distinguish between the signal (based on touch or proximity) and noise, which can be caused by environmental or electrical conditions.

Figure 1 shows a typical user interface system with capacitive buttons connected to a CY8CMBR3xxx CapSense Express controller, which controls the system and also communicates with the host processor through I²C.

Traditionally, capacitive sensing controllers require firmware development to perform specific user interface functions and manual system tuning to achieve optimal performance. However, the CY8CMBR3xxx CapSense Express family of controllers does not require any firmware development, accelerating time-to-market. These devices feature SmartSense Auto-tuning, which eliminates the need for manual tuning, providing optimal performance even under extremely noisy conditions.

Figure 1. Typical CapSense System



Features Overview

CapSense Sensors

The CY8CMBR3xxx family of controllers supports up to 16 capacitive sensors. These can be configured as follows:

- Up to 16 CapSense buttons
- Up to two sliders: Configurable as linear or radial sliders
- Up to two proximity sensors that can detect up to 30-cm proximity distance

Sliders

- Supports up to two 5-segment sliders
- Configures each slider individually as linear or radial
- Combines both sliders to form one 10-segment slider
- Slider resolution is user-configurable

Proximity Sensors

- The CY8CMBR3xxx family supports up to two proximity sensors with a detection range of up to 30 cm. These proximity sensors are capable of detecting both proximity and touch events.
- The wake-on-approach feature wakes the devices from a low-power state to Active mode on a proximity event.
- The device also features driven shield, which enhances the proximity sensing range in the presence of metal objects.
- The device supports proximity sensors with C_p ranging from 8 pF to 45 pF.

SmartSense Auto-tuning

The CY8CMBR3xxx family features SmartSense Auto-tuning, Cypress's patented CapSense algorithm, which continuously compensates for system and environmental changes during run time. SmartSense Auto-tuning has the following advantages:

- Reduces design effort by eliminating manual tuning
- Adapts to variations in PCB, overlay, paint, and manufacturing that degrade touch-sensing performance
- Eliminates manual tuning in production
- Adapts to changes in the system environment due to noise
- Allows a platform design approach with different overlays, button shapes, and trace lengths

Water Tolerance

The CY8CMBR3xxx family delivers water-tolerant designs that eliminate false touches due to wet conditions, such as water droplets, moisture, mist, steam, or even wet hands. The CapSense controller locks up the user interface in firmware to prevent touch inputs in streaming water.

The CY8CMBR3xxx family offers water-tolerance to liquids such as water, ketchup, oil, and blood.

Enable the shield electrode through the [register map](#), using EZ-Click, to prevent false touches under wet conditions and enable both the shield electrode and guard sensor to prevent false touches in streaming water conditions. The shield electrode and guard sensor consume a port pin each in the CapSense controller. Refer to the [CY8CMBR3xxx CapSense Design Guide](#) for best practices and design guidelines for implementing water-tolerant designs.

Noise Immunity

The CY8CMBR3xxx family features the robust CSD PLUS capacitive sensing algorithm. Additionally, it implements the advanced noise immunity algorithm, EMC, for stable operation in extremely noisy conditions.

The EMC algorithm has higher average power consumption. For low-power applications, where noise conditions are not extreme, you can disable this feature through the I²C interface.

Flanking Sensor Suppression (FSS)

This feature distinguishes between signals from closely spaced buttons, eliminating false touches. It ensures that the system recognizes only the first button touched.

Touch Feedback

The CY8CMBR3xxx family has pins that you can configure for audio-visual feedback through a buzzer or an LED.

General-Purpose Outputs (GPOs)

The GPOs are high-sink current, open-drain outputs that can drive most LEDs. The GPO status can be controlled directly by the CapSense sensors so that a sensor 'ON' status automatically turns ON a corresponding LED. Alternatively, GPOs can be controlled by the host through the I²C interface.

The GPOs also support advanced features, such as:

- CSx to GPOx Direct Drive: Directly control the GPOs upon button touch or proximity event.
- Pulse width modulation (PWM): Controls LED brightness.
- Toggle: The GPO status is toggled upon every touch event on the button sensors, and proximity event on proximity sensors, to mimic the functionality of the mechanical toggle switch.
- Voltage output: Analog voltage that represents the button status.

Buzzer Drive

The output pins of the CY8CMBR3xxx controllers can be configured for driving a single-input DC Piezo-electric buzzer through a PWM. The PWM frequency and buzzer activation duration are configurable. The buzzer output is activated for a finite amount of time when a finger touch is detected.

Register Configurability

The CY8CMBR3xxx registers may be configured through the I²C interface. Device features may be enabled, disabled, or modified by writing appropriate values to the I²C configurable [register map](#). This register map also provides various status outputs to indicate the touch/release status and system performance and debug parameters.

You can access the [register map](#) of the device through the I²C interface by a host controller, such as a microcontroller or the EZ-Click Customizer.

The CY8CMBR3xxx devices feature a safe [register map](#) update mechanism to overcome configuration data corruption, which can occur due to power failure during flash writes or any other spurious events. If the configuration data is corrupted during a [register map](#) update, the devices reconfigure themselves to the last known valid configuration.

Communication to Host

The CY8CMBR3xxx family communicates to a host processor through the following methods:

- The I²C interface allows the host to configure parameters and receive status information on touch events
- The host interrupt alerts the host when a new touch event occurs. This helps to build effective communication between the host and the CapSense controller. Alternatively, the CPU can poll the device status by reading through I²C.
- The GPO provides the ON or OFF sensor status to the host. The GPO ports can also be used to implement analog voltage and DC output (DCO) using an external resistor network.

System Diagnostics

The CY8CMBR3xxx devices are equipped with a system diagnostics feature to detect system-level fault conditions and to avoid failure of the user interface design. The system diagnostic features also help to monitor system-level parameters to debug the design during development.

The built-in system diagnostics detects the following fault conditions at power-up and helps to monitor the following:

- Improper value of the modulating capacitor (C_{MOD})
- C_P value out of range
- Sensor shorts

Ultra-Low Power Consumption

For low-power applications, such as those operated by a battery, select a capacitive sensing controller that has ultra-low average power consumption.

The CY8CMBR3xxx controllers draw an average current of 22 μ A per sensor at 1.8 V.

The CY8CMBR3xxx family supports two operating modes:

- Active: The sensors are scanned periodically for power optimization.
- Deep Sleep: The sensors are not scanned until a command from the host is received to resume sensor scanning.

In the Active mode, CY8CMBR3xxx family implements additional techniques, such as optimizing the average power consumption and providing a smooth user interface experience without increasing the refresh interval.

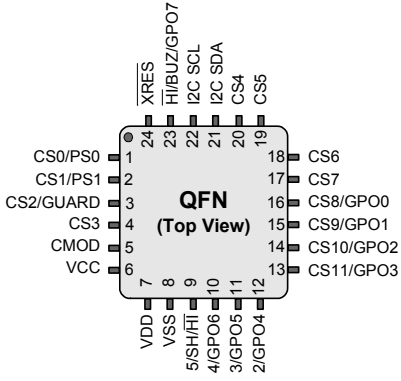
In addition to these modes, the device has a wake-on approach feature, which uses proximity sensing to reduce the average power consumption, ensuring power saving when the system is inactive.

Details of all features are documented in [Device Feature Details on page 12](#).

Pinouts

CY8CMBR3116 (16 Sensing Inputs)

Table 1. Pin Diagram and Definitions - CY8CMBR3116

24-QFN						Pin Diagram
Pin #	Pin Name	Type	Description	If unused	Default Configuration	
1	CS0/PS0	–	CapSense button / proximity sensor, controls GPO0	Ground/Ground	CS0	
2	CS1/PS1	–	CapSense button / proximity sensor, controls GPO1	Ground/Ground	CS1	
3	CS2/GUARD	–	CapSense button / guard sensor, controls GPO2	Ground/Ground	CS2	
4	CS3	–	CapSense button, controls GPO3	Ground	CS3	
5	CMOD	–	External modulator capacitor. Connect 2.2 nF/5 V/X7R or NPO capacitor	NA	CMOD	
6	VCC	Power	Internal regulator output. Connect a 0.1-µF decoupling capacitor if VDD > 1.8 V. If VDD is 1.71 V to 1.89 V, short this pin to VDD.	NA	VCC	
7	VDD	Power	Power	NA	VDD	
8	VSS	Power	Ground	NA	VSS	
9	CS15/SH/HI	I/DO	CapSense button / shield electrode/ Host Interrupt (SPO1 in the register map)	Ground/Leave open/Leave open	HI	
10	CS14/GPO6	I/DO	CapSense button / general purpose output (GPO)	Ground/Leave open	GPO6	
11	CS13/GPO5	I/DO	CapSense button / GPO	Ground/Leave open	GPO5	
12	CS12/GPO4	I/DO	CapSense button / GPO	Ground/Leave open	GPO4	
13	CS11/GPO3	I/DO	CapSense button / GPO	Ground/Leave open	GPO3	
14	CS10/GPO2	I/DO	CapSense button / GPO	Ground/Leave open	GPO2	
15	CS9/GPO1	I/DO	CapSense button / GPO	Ground/Leave open	GPO1	
16	CS8/GPO0	I/DO	CapSense button / GPO	Ground/Leave open	GPO0	
17	CS7	–	CapSense button, controls GPO7	Ground	CS7	
18	CS6	–	CapSense button, controls GPO6	Leave open	CS6	
19	CS5	–	CapSense button, controls GPO5	Ground	CS5	
20	CS4	–	CapSense button, controls GPO4	Ground	CS4	
21	I2C SDA	DIO	I2C data	Leave open	I2C SDA	
22	I2C SCL	DIO	I2C clock	Leave open	I2C SCL	
23	HI/BUZ/GPO7	DO	Host Interrupt/buzzer output/ GPO (SPO0 in the register map)	Leave open/ leave open/ leave open	GPO7	
24	XRES	XRES	Active Low external reset (an active low pulse on this pin resets the CapSense Controller)	Leave open	XRES	
25	Center Pad ^[1]	E-pad	Connect to VSS for best mechanical, thermal, and electrical performance	Floating, not connected to any other signal	E-pad	

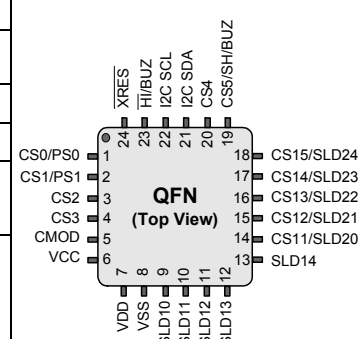
Legend: I = Analog Input, O = Analog Output, DIO = Digital Input/Output, DO = Digital Output, CS = CapSense Button, PS = Proximity Sensor
SH = Shield Electrode, BUZ = Buzzer Output, GPO = General Purpose Output, GUARD = Guard Sensor, SPO = Special purpose output.

Note

1. The center pad on the QFN package should be connected to ground (VSS) for best mechanical, thermal, and electrical performance. If it is not connected to ground, it should be left floating without being connected to any other signal.

CY8CMBR3106S (16 Sensing Inputs; Sliders Supported)

Table 2. Pin Diagram and Definitions - CY8CMBR3106S

24-QFN						Pin Diagram
Pin #	Pin Name	Type	Description	If unused	Default Configuration	
1	CS0/PS0	–	CapSense button / proximity sensor	Ground/Ground	CS0	
2	CS1/PS1	–	CapSense button / proximity sensor	Ground/Ground	CS1	
3	CS2	–	CapSense button	Ground	CS2	
4	CS3	–	CapSense button	Ground	CS3	
5	CMOD	–	External modulator capacitor. Connect 2.2 nF/ 5 V/X7R or NPO capacitor	NA	CMOD	
6	VCC	Power	Internal regulator output. Connect a 0.1-µF decoupling capacitor if VDD > 1.8 V. If VDD is 1.71 V to 1.89 V, short this pin to VDD.	NA	VCC	
7	VDD	Power	Power	NA	VDD	
8	VSS	Power	Ground	NA	VSS	
9	SLD10	–	Slider1, segment0	Ground	SLD10	
10	SLD11	–	Slider1, segment1	Ground	SLD11	
11	SLD12	–	Slider1, segment2	Ground	SLD12	
12	SLD13	–	Slider1, segment3	Ground	SLD13	
13	SLD14	–	Slider1, segment4	Ground	SLD14	
14	CS11/SLD20	–	CapSense button / Slider2, segment0	Ground/Ground	SLD20	
15	CS12/SLD21	–	CapSense button / Slider2, segment1	Ground/Ground	SLD21	
16	CS13/SLD22	–	CapSense button / Slider2, segment2	Ground/Ground	SLD22	
17	CS14/SLD23	–	CapSense button / Slider2, segment3	Ground/Ground	SLD23	
18	CS15/SLD24	–	CapSense button / Slider2, segment4	Leave open/Leave open	SLD24	
19	CS5/SH/HI	–	CapSense button / shield electrode/host interrupt. (SPO1 in the register map)	Ground/Leave open/Leave open	CS5	
20	CS4	–	CapSense Button	Ground	CS4	
21	I2C SDA	DIO	I2C Data	Leave open	I2C SDA	
22	I2C SCL	DIO	I2C Clock	Leave open	I2C SCL	
23	HI/BUZ	O	Host interrupt / buzzer output. This pin acts as SPO0 for this device (SPO0 in register map).	Leave open/Leave open	HI	
24	XRES	XRES	External reset	Leave open	XRES	
25	Center Pad ^[2]	E-pad	Connect to VSS for best mechanical, thermal and electrical performance	Floating, not connected to any other signal	E-pad	

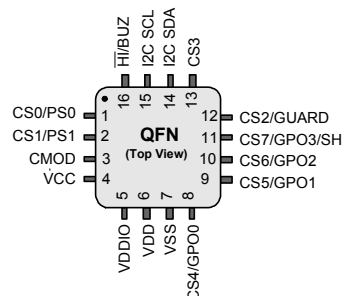
Legend: I = Analog Input, O = Analog Output, DIO = Digital Input/Output, CS = CapSense Button, PS = Proximity Sensor, SH = Shield Electrode, BUZ = Buzzer Output, SPO = Special Purpose Output.

Note

- The center pad on the QFN package should be connected to ground (VSS) for best mechanical, thermal, and electrical performance. If it is not connected to ground, it should be left floating without being connected to any other signal.

CY8CMBR3108 (8 Sensing Inputs)

Table 3. Pin Diagram and Definitions - CY8CMBR3108

16-QFN						Pin Diagram
Pin #	Pin Name	Type	Description	If unused	Default Configuration	
1	CS0/PS0	–	CapSense button / proximity sensor, controls GPO0	Ground/Ground	CS0	
2	CS1/PS1	–	CapSense button / proximity sensor, controls GPO1	Ground/Ground	CS1	
3	CMOD	–	External modulator capacitor. Connect 2.2 nF/5 V/X7R or NPO capacitor	NA	CMOD	
4	VCC	Power	Internal regulator output. Connect a 0.1-µF decoupling capacitor if VDD > 1.8 V. If VDD is 1.71 V to 1.89 V, short this pin to VDD	NA	VCC	
5	VDDIO	Power	Power for I2C and \overline{HI} lines	Connect to VDD	VDDIO	
6	VDD	Power	Power	NA	VDD	
7	VSS	Power	Ground	NA	VSS	
8	CS4/GPO0	I/DO	CapSense button / GPO	Ground/Leave open	GPO0	
9	CS5/GPO1	–	CapSense button / GPO	Ground/Leave open	GPO1	
10	CS6/GPO2	I/DO	CapSense button / GPO	Ground/Leave open	GPO2	
11	CS7/GPO3/SH	I/DO	CapSense button / GPO/ shield electrode. (SPO1 in the register map)	Ground/Leave open	GPO3	
12	CS2/GUARD	–	CapSense button, controls GPO2 / guard sensor	Leave open/Leave open	CS2	
13	CS3	–	CapSense button, controls GPO3	Ground	CS3	
14	I2C SDA	DIO	I2C data	Leave open	I2C SDA	
15	I2C SCL	DIO	I2C clock	Leave open	I2C SCL	
16	\overline{HI} /BUZ	DO	Host interrupt / buzzer output Supply voltage for buzzer and pull-up resistor on HI should be equal to VDDIO (SPO0 in the register map).	Leave open/leave open	\overline{HI}	
17	Center Pad ^[3]	E-pad	Connect to VSS for best mechanical, thermal and electrical performance	Floating, not connected to any other signal	E-pad	


Legend: I = Analog Input, O = Analog Output, DIO = Digital Input/Output, CS = CapSense Button, PS = Proximity Sensor
SH = Shield Electrode, BUZ = Buzzer Output, GPO = General Purpose Output, GUARD = Guard Sensor, SPO = Special Purpose Output.

Note

- The center pad on the QFN package should be connected to ground (VSS) for best mechanical, thermal, and electrical performance. If it is not connected to ground, it should be left floating without being connected to any other signal.

CY8CMBR3110 (10 Sensing Inputs)

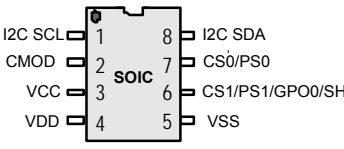
Table 4. Pin Diagram and Definitions - CY8CMBR3110

16-SOIC						
Pin #	Pin Name	Type	Description	If unused	Default Configuration	Pin Diagram
1	I2C SDA	DIO	I2C data	Leave open	I2C SDA	
2	I2C SCL	DIO	I2C clock	Leave open	I2C SCL	
3	CS0/PS0	–	CapSense button / proximity sensor, controls GPO0	Ground/Ground	CS0	
4	CS1/PS1	–	CapSense button / proximity sensor, controls GPO1	Ground/Ground	CS1	
5	CMOD	–	External modulator capacitor. Connect 2.2 nF/5 V/X7R or NPO capacitor	NA	CMOD	
6	VCC	Power	Internal regulator output. Connect a 0.1-μF decoupling capacitor if VDD > 1.8 V. If VDD is 1.71 V to 1.89 V, short this pin to VDD	NA	VCC	
7	VDD	Power	Power	NA	VDD	
8	VSS	Power	Ground	NA	VSS	
9	CS5/GPO0	I/DO	CapSense button / GPO	Ground/Leave open	GPO0	
10	CS6/GPO1	I/DO	CapSense button / GPO	Ground/Leave open	GPO1	
11	CS7/GPO2	I/DO	CapSense button / GPO	Ground/Leave open	GPO2	
12	CS8/GPO3	I/DO	CapSense button / GPO	Ground/Leave open	GPO3	
13	CS2/GUARD	–	CapSense button, controls GPO2 / guard sensor	Ground/Leave open	CS2	
14	CS9/GPO4/HI/BUZ	I/DO	CapSense button / GPO / host interrupt/buzzer output. (SPO1 in the register map)	Leave open/Leave open/Leave open/Leave open	GPO4	
15	CS3	–	CapSense button, controls GPO3	Ground	CS3	
16	CS4/SH	I/O	CapSense button, controls GPO4/ shield electrode (SPO0 in the register map).	Ground/Leave open	CS4	

Legend: I = Analog Input, O = Analog Output, DIO = Digital Input/Output, CS = CapSense Button, PS = Proximity Sensor
SH = Shield Electrode, BUZ = Buzzer Output, GPO = General Purpose Output, GUARD = Guard Sensor, SPO = Special Purpose Output.

CY8CMBR3102 (2 Sensing Inputs)

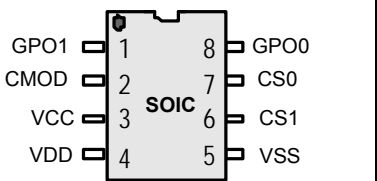
Table 5. Pin Diagram and Definitions - CY8CMBR3102

8-SOIC						
Pin #	Pin Name	Type	Description	If unused	Default Configuration	Pin Diagram
1	I2C SCL	DIO	I2C clock	Leave open	I2C SCL	
2	CMOD	–	External modulator capacitor. Connect 2.2 nF/5 V/X7R or NPO capacitor	NA	CMOD	
3	VCC	Power	Internal regulator output. Connect a 0.1-μF decoupling capacitor if VDD > 1.8 V. If VDD is 1.71 V to 1.89 V, short this pin to VDD.	NA	VCC	
4	VDD	Power	Power	NA	VDD	
5	VSS	Power	Ground	NA	VSS	
6	CS1/PS1/ GPO0/SH	I/DO/O	CapSense button / proximity sensor/ GPO/ shield electrode (SPO0 in the register map).	Ground/Ground/ Leave open/leave Open	GPO0	
7	CS0/PS0	–	CapSense button / proximity sensor, controls GPO0	Leave open/Leave open	CS0	
8	I2C SDA	DIO	I2C data	Leave open	I2C SDA	

Legend: I = Analog Input, O = Analog Output, DIO = Digital Input/Output, CS = CapSense Button, PS = Proximity Sensor, SH = Shield Electrode, GPO = General Purpose Output, SPO = Special Purpose Output.

CY8CMBR3002 (2 Sensing Inputs)

Table 6. Pin Diagram and Definitions - CY8CMBR3002

8-SOIC						
Pin #	Pin Name	Type	Description	If unused	Pin Diagram	
1	GPO1	DO	GPO	Leave open		
2	CMOD	I/O	External modulator capacitor. Connect 2.2 nF/5 V/X7R or NPO capacitor	NA		
3	VCC	Power	Internal regulator output. Connect a 0.1-μF decoupling capacitor if VDD > 1.8 V. If VDD is 1.71 V to 1.89 V, short this pin to VDD.	NA		
4	VDD	Power	Power	NA		
5	VSS	Power	Ground	NA		
6	CS1	–	CapSense button, controls GPO1	Ground		
7	CS0	–	CapSense button, controls GPO0	Leave open		
8	GPO0	DO	GPO	Leave open		

Legend: I = Analog Input, DO = Digital Output, CS = CapSense Button, GPO = General Purpose Output

CY8CMBR3xxx Ecosystem

Cypress provides a complete ecosystem to enable a quick development cycle with the CY8CMBR3xxx CapSense controller family. This ecosystem includes simple tools for device configuration, design validation, and diagnostics.

Documentation

Design Guides

Design guides are an excellent introduction to a variety of possible CapSense-based designs. They provide an introduction to the solution and complete system design guidelines. Refer to the following design guides for CY8CMBR3xxx:

1. [Getting Started with CapSense](#) – an ideal starting point for all CapSense users
2. [CY8CMBR3xxx CapSense Design Guide](#) – provides complete system design guidelines for CY8CMBR3xxx

You can download these design guides from our website: www.cypress.com/go/capsense.

Registers TRM

The CY8CMBR3xxx [Registers TRM](#) lists and details all the registers of the CY8CMBR3xxx family of controllers in order of their addresses. These registers may be accessed through an I²C interface with the host.

Software Utility

EZ-Click Customizer Tool

The [EZ-Click Customizer Tool](#) is a simple, GUI-based software utility that can be used to customize the CY8CMBR3xxx device configurations.

Use this GUI-based tool to do the following:

- Select the appropriate part number based on an end-application requirement using the Product Selector
- Configure the device features
- Observe CapSense data for button and proximity sensors
- Use the System Diagnostics and built-in test self-test (BIST) features for debug and production-line testing

Tools

Design Toolbox

The [Design Toolbox](#) is an interactive spreadsheet tool that provides application-specific design guidelines for capacitive buttons. It is used to configure and validate the CapSense system.

The Design Toolbox:

- Provides general layout guidelines for a CapSense PCB
- Estimates button dimensions based on end-application requirements
- Calculates power consumption based on button dimensions
- Validates layout design

Evaluation Kits

The [CY3280-MBR3 Evaluation Kit](#) can be used to quickly evaluate the various features of the CY8CMBR3xxx solution. The kit also functions as an Arduino shield, making it compatible with the various Arduino-based controllers in the market. You can purchase this kit at the [Cypress online store](#).

Online

In addition to print documentation, there are abundant web resources. The dedicated [web page](#) for the CY8CMBR3xxx family has all the current information.

Training

Free PSoC and CapSense technical training (on-demand, webinars, and workshops) is available online at www.cypress.com/training. The training covers a wide variety of topics and supports different skill levels to assist you in your designs.

Technical Support

For assistance with technical issues, search the Knowledge Base articles and forums at www.cypress.com/support. If you cannot find an answer to your question, create a technical support case or call technical support at 1-800-541-4736.

Device Feature Details

Table 7. Device Feature Benefits

Feature	Benefits
Automatic Threshold	Automatically tunes all the threshold parameters of the sensors for different noise settings
Sensitivity Control	Maintains optimal button performance for different overlay and noise conditions
Sensor Auto Reset	Recalibrates the sensor when a stuck-sensor (fault) condition occurs, and avoids invalid sensor output status to host
Noise Immunity	Provides immunity against external noise and the ability to detect touches without false trigger in noisy environments
Flanking Sensor Suppression (FSS)	Avoids multiple button triggers in a design with closely spaced buttons
Host Controlled GPOs	GPO pins, which can be controlled by the host processor through I ² C
LED On time	GPO output status stays ON for a set duration after the touch is released to provide better visual feedback to the user
Toggle	Sensor output status toggles on every sensor activation to mimic the mechanical toggle button functionality
Buzzer Signal Output	Provides audio feedback on button touch
Host Interrupt	Provides interrupt to host when there is a change in sensor status
Latch Status Output	Latches the sensor status changes in the register until the host reads the activated sensor status; this ensures that the sensor status is always read by the host even if the host is late to service the host interrupt signal from CY8CMBR3xxx
Analog Voltage Output	Indicates the button status through voltage levels
System Diagnostics	Supports production testing and debugging
Low-Power Sleep Mode and Deep Sleep Mode	Reduces power consumption

Automatic Threshold

- Dynamically sets all threshold parameters for button sensors, depending on the noise in the environment.
- Applicable only to button sensors.
- Mutually exclusive from the EMC feature. If EMC is enabled, automatic threshold is automatically disabled.

Sensitivity Control

This feature allows specification of the minimum change in sensor capacitance that can trigger a sensor state change (OFF to ON or vice-versa).

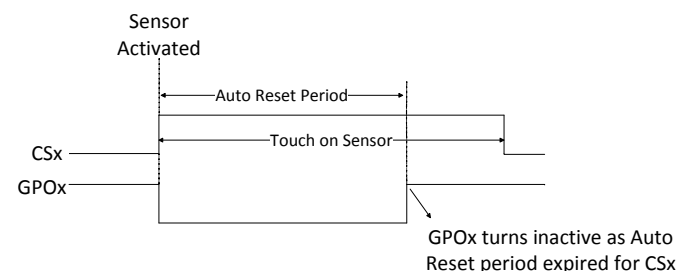
- Sensitivity can be specified individually for each CapSense button and slider.
- Sensitivity can be specified as one of the four available values: 0.1 pF, 0.2 pF, 0.3 pF, and 0.4 pF.
- Higher sensitivity values can be used for thick overlays or small button diameters.
- Lower sensitivity values should be used for large buttons or thin overlays to minimize power consumption.

Sensor Auto Reset

This feature resets the CapSense sensors to the OFF state after a specific time period, even though they continue to be activated.

- Resets the sensor baseline to the current raw count after a specific time period, even though the sensors continue to be activated.
- Prevents a stuck sensor when a metal object is placed close to that sensor.
- The Auto Reset period can be set to 5 or 20 seconds and can be configured through two global settings provided in the [register map](#):
 - Global setting for all proximity sensors
 - Global setting for all CapSense buttons and slider segments
- The guard sensor does not undergo Auto Reset.

Figure 2. Example of Button Auto Reset on GPO0 (DC Active Low Output)



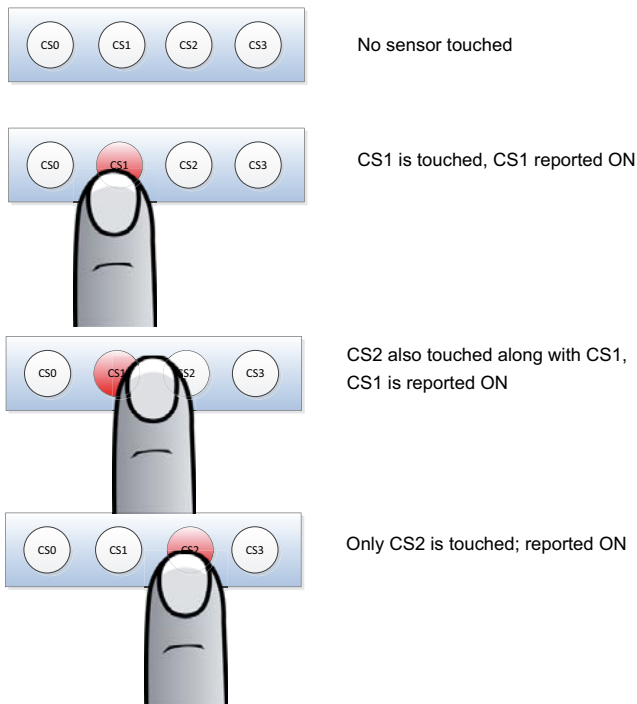
Noise Immunity

- The CY8CMBR3xxx family features the robust CSD PLUS capacitive sensing algorithm.
- Uses pseudo-random sequence (PRS) clock source to minimize electromagnetic interference.
- Provides advanced noise immunity algorithm, that is, electromagnetic compatibility (EMC), for superior noise immunity against external radiated and conducted noise
 - EMC algorithm has higher average power consumption. For low-power applications, where noise conditions are not extreme, this feature can be disabled using the [EZ-Click](#) tool.

Flanking Sensor Suppression

- Distinguishes between signals from closely spaced buttons, eliminating false touches.
- Can be enabled or disabled individually on each CapSense button.
- On touch detection by two or more sensors on which FSS is enabled, only the first touched sensor reports active status.
- Allows only one button at a time to be in the Touch state.
- Supported only on CapSense buttons.

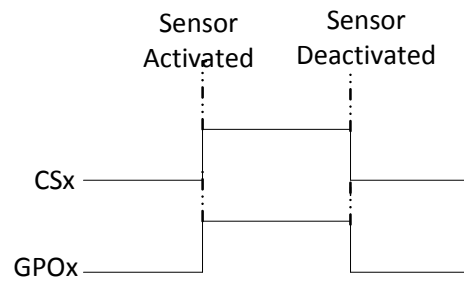
Figure 3. Reported Sensor Status with FSS Enabled



General-Purpose Outputs

- Supports up to eight GPOs, multiplexed with sensor inputs or other functionality, depending on the part number.
- Provides GPO status control. GPOs can be configured to be controlled by the sensor input or the host through the I²C interface.
- Allows for configurable Active LOW or Active HIGH logic output. The Active LOW logic output can be configured to directly drive LEDs in the current sink mode. The Active HIGH logic output can be configured to interface the GPOs with the host and other circuits.
- The GPOx status will not be retained in the Deep Sleep mode. The GPOx output state will be reset to default during deep sleep and upon wake-up from deep sleep.

Figure 4. CSx Controls GPOx (Active HIGH Logic)

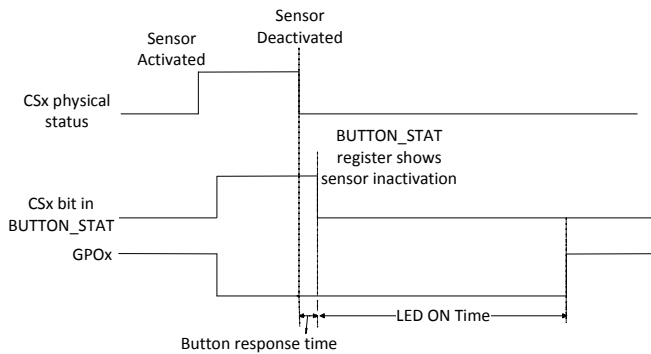


- Supports two drive modes:
 - Open-drain drive mode (HIGH-Z and GND) for analog voltage outputs and LED direct drive
 - Strong drive mode (V_{DD} and GND) to interface with the host and other circuits
- Supports PWM on GPOs for LED brightness control. Two different duty cycles can be configured for Sensor Touch and No Touch states (Active and Inactive state duty cycles). When the GPO is host-controlled, and if the PWM control is enabled for the GPO, the same Touch and No Touch duty cycles will be used for the On and Off states of the host-controlled GPO.
- When the proximity sensor is enabled, the proximity event controls the respective GPOs. A touch event on a proximity sensor is indicated only through the I²C register map.
- Sensor fault conditions are indicated with the pulse signal on the respective GPOs at power-up by system diagnostics.

LED ON Time

- Keeps the GPO status ON for a particular period of time after the falling edge of a sensor, for better visual indication through LEDs

Figure 5. CSx Controls GPOx with LED ON Time Enabled

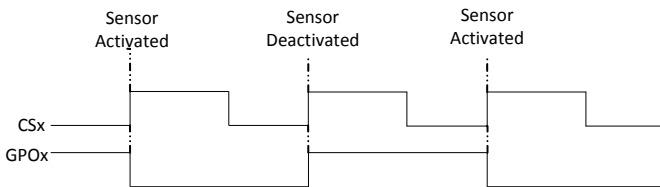


- Can be enabled only when the GPO is directly controlled by a CapSense sensor
- Can be enabled or disabled on each sensor and the ON Time duration can be configured from 0 to 2 seconds in 20-ms increments
- Can be enabled in all configurations of GPOs except the Toggle mode
- Not applicable when the sensor status is turned off by Sensor Auto Reset

Toggle

- The controller can toggle the GPO state at every rising edge of a sensor activation event to mimic the functionality of a mechanical toggle switch (a touch event for a button sensor and a proximity event for proximity sensors activates a sensor).

Figure 6. CSx Controls GPOx with the Toggle Enabled



- Can be enabled only when the GPO is directly controlled by a capacitive sensor.
- Can be enabled or disabled individually on each capacitive sensor.
- Can be enabled in all configurations of GPOs—that is, Active LOW and Active HIGH DC output, PWM output, open-drain, and strong drive modes.

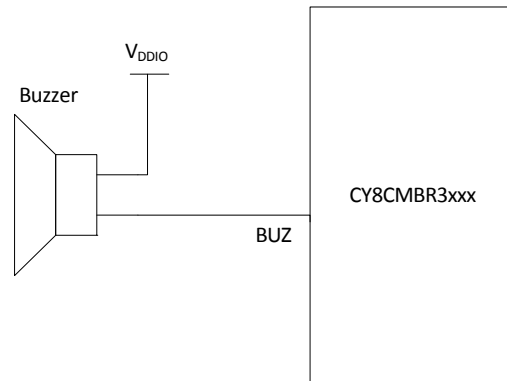
Note

4. Buzzer must be connected between V_{DDIO} and the BUZ pin. If V_{DDIO} is not available on the device, connect the buzzer to V_{DD} instead of V_{DDIO} .

Buzzer Signal Output

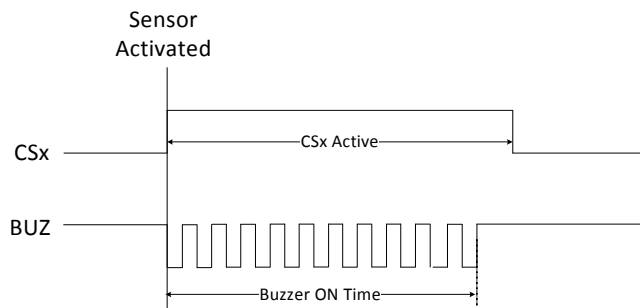
- Produces a PWM signal to drive a Piezo-Buzzer that generates audio feedback when a touch is detected on a CapSense button or a guard sensor.
- Supports buzzer connection, as shown in the following figure.

Figure 7. Buzzer Connection^[4]



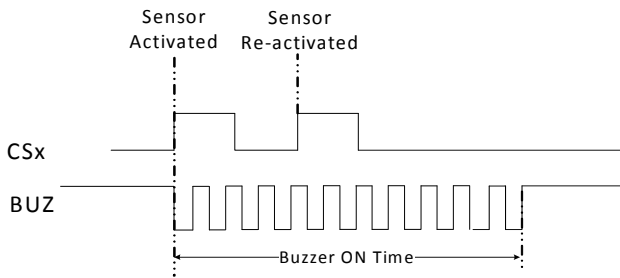
- PWM frequency is configurable: The buzzer frequency is configurable to meet different Piezo-Buzzer drive requirements and to provide different tones. The buzzer frequency may be configured either by using the [EZ-Click](#) tool or by writing to the corresponding control register. Refer to [System Specifications on page 23](#) for the supported buzzer frequencies.
- Generates PWM output for a fixed duration (ON time) when a touch is detected. The ON time is configurable through [EZ-Click](#), from 100 ms to 12.7 s, in steps of 100 ms.
- Buzzer signal output and EMC (refer to the [CY8CMBR3xxx Registers TRM](#)) are mutually exclusive features. These must not be enabled simultaneously.

Figure 8. Buzzer Activation on a Touch Event



The buzzer output does not restart if multiple trigger events occur before the Buzzer ON Time elapses.

Figure 9. Buzzer Operation with Consecutive Touches



If the buzzer is not currently active, the buzzer output starts on each trigger event.

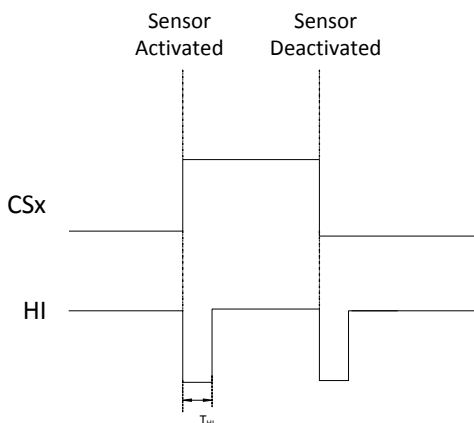
- When the buzzer is enabled, the buzzer output toggles between a Logic HIGH state and a Logic LOW state, to drive the buzzer when active. When the buzzer is inactive, the buzzer output maintains a Logic HIGH state.
- The buzzer ON Time has a range of $(1 \text{ to } 127) \times 100 \text{ ms}$.

Host Interrupt

This feature generates a pulse signal on any change in the CapSense sensors' status.

- The host interrupt is an active LOW pulse signal generated on the HI pin during any change in the sensor status or slider position.
- The duration of the active LOW host interrupt pulse is T_{HI} (refer to [System Specifications on page 23](#)).
- The minimum time between two \overline{HI} pulses is equal to one refresh interval.

Figure 10. Host Interrupt Line with CSx Buttons Touched Separately



- The host interrupt pin has the open-drain low-drive mode.
- This pin is powered by V_{DDIO} in CY8CMBR3108. This allows communication with a host processor at voltage levels lower than the chip V_{DD} .
- Only one pin can be configured as the host interrupt on devices that have a host interrupt functionality on multiple pins.

Latch Status Output

- Allows to read both current status (CS) and latch status (LS) to avoid missing button touches.
- CS and LS can be read through registers, BUTTON_STAT, and LATCHED_BUTTON_STAT respectively.

[Table 8](#) explains the various combinations of CS and LS.

Table 8. Latch Status Read

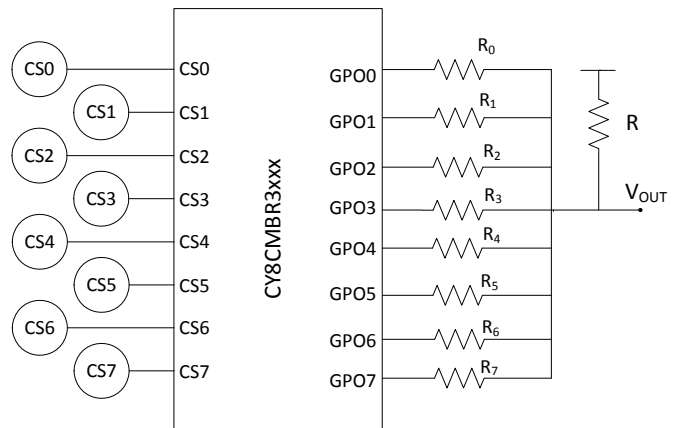
CS	LS	Description
0	0	CSx is not touched during the current I ² C read. Host has already acknowledged any previous CSx touch in the previous I ² C read
0	1	CSx was touched before the current I ² C read. This CSx touch was missed by the host

Analog Voltage Output

Some of the applications use analog voltage as an effective method to indicate the sensor status to the host controller. A simple external resistor network can be used with GPOs of CY8CMBR3xxx to generate analog voltage output upon touch detection for such applications.

The CY8CMBR3xxx GPOs support the open-drain low-drive mode. In this mode, the sensor "touch" state is indicated by a logic LOW signal on the GPO and a "no touch" state is indicated by the HIGH-Z signal. With the external resistor shown in [Figure 11](#), when a sensor is touched, the respective GPO is driven to a logic LOW signal. This forms a simple voltage divider and produces a voltage output. All the other GPOs are in HIGH-Z states because their respective sensors are in the "no touch" state.

Figure 11. Voltage Output Using GPO and Resistor Network



The output analog voltage can be calculated based on the following equation:

$$V_{out} = \frac{V_{DD} \times R_n}{R + R_n}$$

Here, R_n represents the series resistor value of any given GPO.

Note If more than one button is activated at the same time, the R_n becomes equivalent (parallel) to all R_n resistors.

- For the circuit represented in [Figure 11](#) to work, GPOs should be configured in the Active LOW logic, open-drain drive mode. PWM must be disabled and the CSx-to-GPOx direct drive must be enabled (that is, GPOs must be configured as sensor-controlled).
- The FSS feature can be enabled so only one button is reported ON at a time.

System Diagnostics

System Diagnostics is a BIST feature that tests for faulty sensor, shield, or CMOD conditions at device resets.

- If any sensor fails these tests, a 50-ms pulse is sent out on the corresponding GPO (that is, the pulse is observed on GPOx if CSx fails the test), and the sensor is disabled.
- If the shield fails the tests, a 50-ms pulse is sent out on all GPOs and all the sensors are disabled.
- If CMOD fails the tests, a 50-ms pulse is sent out on all GPOs and all the sensors are disabled.
- System Diagnostics failure pulses are sent within device boot-up time.
- The System Diagnostics status is also updated in the [register map](#). Therefore, the host can also read test results through the I²C interface.

Sensor $C_p > 45$ pF

If the parasitic capacitance of a sensor is more than 45 pF, the sensor is disabled.

Improper value of CMOD

If the value of CMOD is less than 1 nF or greater than 4 nF, all sensors are disabled (the recommended value of CMOD is 2.2 nF).

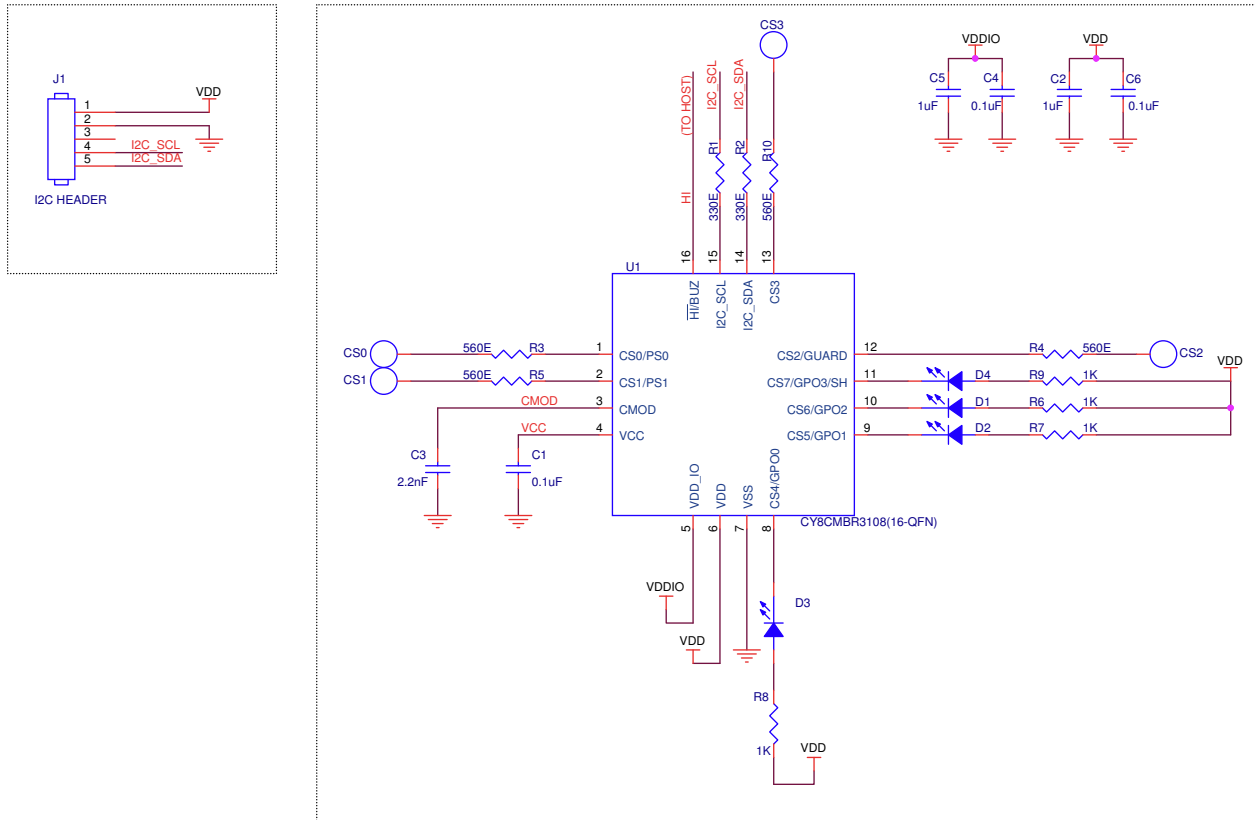
Sensor shorts

System Diagnostics also checks for the following errors:

- Sensor shorted to V_{SS}
- Sensor shorted to V_{DD}
- Sensor shorted to another sensor
- Sensor shorted to shield

Example Application Schematics

Figure 12. Example Schematics Demonstrating Four Buttons and Four GPOs



In Figure 12^[5, 6], the CY8CMBR3108 device is configured in the following manner:

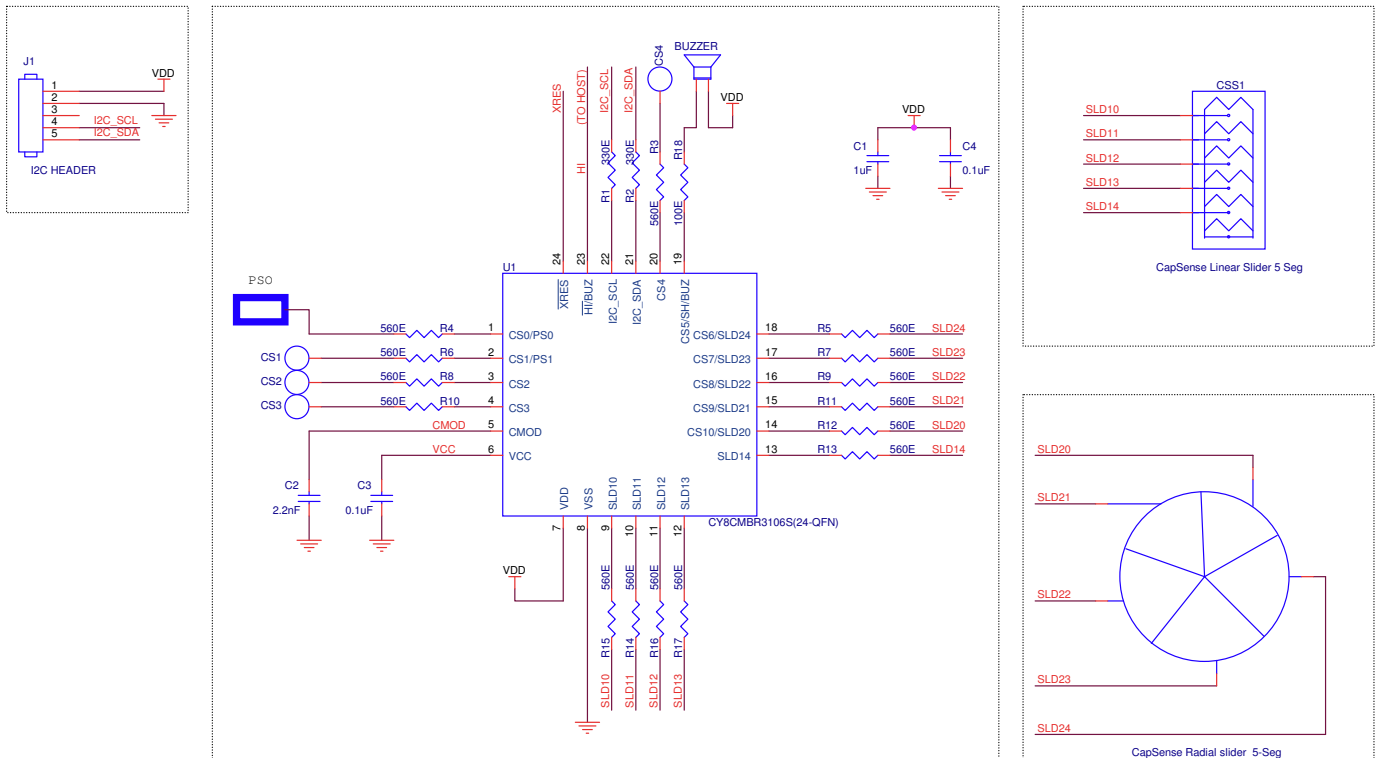
- CS0–CS3: CapSense buttons
 - All CapSense pins must have a 560-ohm series resistance (placed close to the chip) for improved noise immunity.
- GPO0–GPO3: To external LEDs
 - LEDs are connected in sinking mode because the CY8CMBR3xxx devices have high sink current capability.
 - Series resistances are connected to limit the GPO current to be with I_{IL} limits.
- CMOD pin: 2.2 nF to ground
- VCC pin: 0.1 µF to ground

- VDD pin: To external supply voltage
 - 1-µF and 0.1-µF decoupling capacitors connected to VDD
- VDDIO pin: To supply voltage, which is \leq VDD
 - VDDIO powers I²C and HI lines.
 - 1-µF and 0.1-µF decoupling capacitors connected to VDDIO.
- I2C_SCL and I2C_SDA pins: 330 ohms to the I²C header
 - For I²C communication: It is assumed that the I²C line pull-up resistors are present on the host side outside the I²C header.
- HI pin: To host
 - To prompt the host to initiate an I²C transaction for reading the changed sensor status.

Notes

5. VCC should be connected to VDD for $1.71 \text{ V} \leq \text{VDD} \leq 1.89 \text{ V}$.
6. Proper ground layout is important for better SNR performance. Refer to the [CY8CMBR3xxx CapSense Design Guide](#) and [Getting started with CapSense](#) guide for all layout guidelines.

Figure 13. Example Schematics Demonstrating Multiple Sensor Types



In Figure 13^[7, 9], the CY8CMBR3106S device is configured in the following manner:

- PS0: CapSense proximity sensor
- CS1–CS4: CapSense buttons^[8]
- CMOD pin: 2.2 nF to ground
- VCC pin: 0.1 uF to ground
- VDD pin: To external supply voltage
 - 1-μF and 0.1-μF decoupling capacitors connected to VDD
- SLD10-SLD14: CapSense linear slider segments
- SLD20-SLD24: CapSense radial slider segments
- BUZ: To buzzer

- AC buzzer (1-pin).
- Buzzer second pin to ground.
- I2C_SCL and I2C_SDA pins: 330 ohm to the I²C header. It is assumed that the I²C line pull-up resistors are present on the host side outside the I²C header.
 - For I2C communication.
- HI pin: To host
 - To prompt the host to initiate an I²C transaction for reading the changed sensor status.
- XRES pin: Floating
 - For external reset.

Notes

7. VCC should be shorted to VDD for 1.71 V ≤ VDD ≤ 1.89 V.
8. All CapSense pins have 560-ohm series resistance (placed close to the chip) for improved noise immunity.
9. Proper ground layout is important for better SNR performance. Refer to the CY8CMBR3xxx CapSense Design Guide and Getting started with CapSense guide for all layout guidelines.

Power Supply Information

The CY8CMBR3xxx family of controllers contains three supply domains: V_{DD} , V_{CC} , and V_{DDIO} .

- V_{DD} : This is the primary supply to the chip and can be powered from 1.8 V \pm 5% or 1.8 to 5.5 V. The CapSense controller is powered by the V_{DD} supply, and all the I/O signal levels (except I²C lines, HI, and XRES) are referenced with respect to the V_{DD} supply. For packages and MPNs that do not have V_{DDIO} , the I²C SDA, I²C SCL, HI, and XRES signal levels are also referenced with respect to the V_{DD} supply.
- V_{DDIO} : This is the supply input for I²C SDA, I²C SCL, HI, and XRES lines. The signal levels of these I/Os are referenced with respect to V_{DDIO} . The V_{DDIO} supply can be as low as 1.71 V and as high as the voltage of the V_{DD} supply. The V_{DDIO} should not be powered at a voltage higher than that of the V_{DD} supply. The V_{DDIO} is available only on select packages. For a package that does not have V_{DDIO} , the I²C SDA, I²C SCL, HI, and XRES signal levels are referenced with respect to the V_{DD} supply.
- V_{CC} : This is the internal regulator output, which powers the core and capacitive sensing circuits. A 0.1- μ F, 5-V ceramic capacitor should be connected close to the V_{CC} pin for better performance.
- Power sequencing: The CY8CMBR3xxx device does not require any power supply sequencing for the VDD and VDDIO supplies. Either of these supplies can ramp earlier or later than the other. The only requirement is that VDDIO should not be greater than VDD.

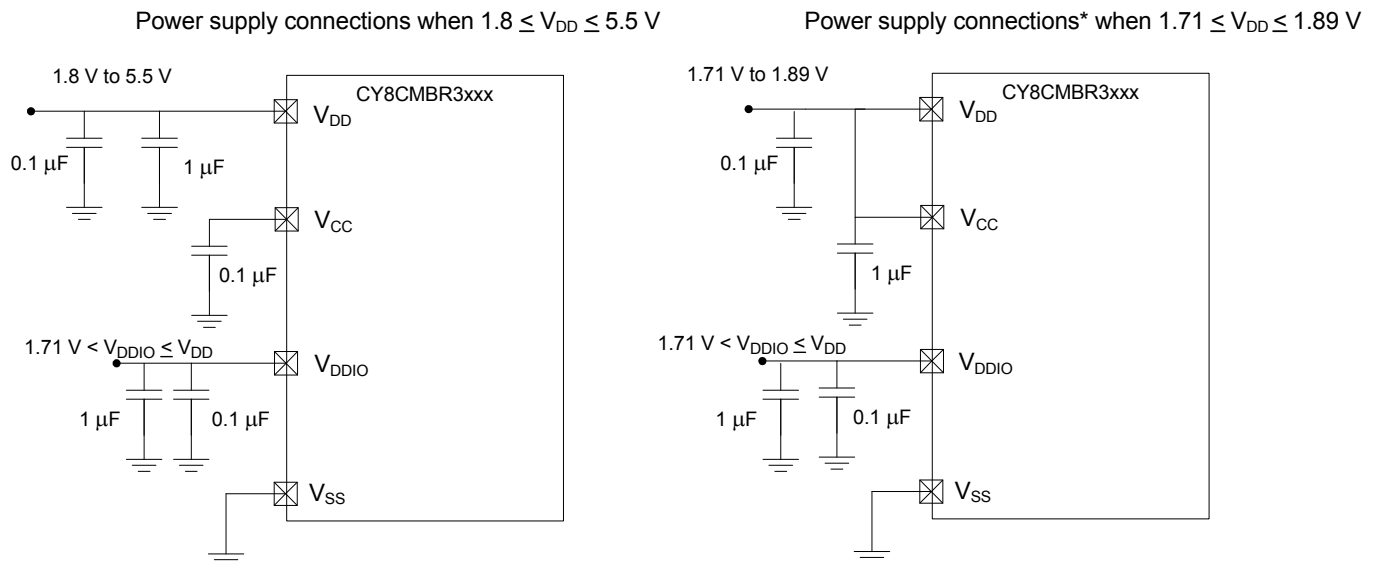
- 1.8-V externally regulated operation: When V_{DD} is powered with a 1.8 V \pm 5% supply, the V_{CC} and V_{DD} pins should be shorted externally and the SUPPLY_LOW_POWER bit in the DEVICE_CFG3 register should be set to 1 through the I²C interface (refer to the [CY8CMBR3xxx Registers TRM](#) for details on the register). When the VCC and VDD pins are shorted, this bypasses the internal voltage regulator. Under this condition, make certain that VDD does not exceed 1.89 V.

Note: If EZ-Click is used to configure the device, it automatically takes care of the required register settings based on the voltage settings selected in EZ-Click.

The CY8CMBR3xxx family of controllers is factory-configured for 1.8-V to 5.5-V operation. To configure a factory-configured device for 1.8-V externally regulated operation, you can use the following procedure:

- Short V_{DD} and V_{CC} .
- Power the device at 1.8 V (note that regardless of the value of the SUPPLY_LOW_POWER bit, the device can be powered at 1.8 V for configuring the device; only CapSense operation is not guaranteed if the SUPPLY_LOW_POWER bit is not properly configured)
- Use EZ-Click to configure the device for 1.8-V operation.
- Save and reset the device.
- Ground consideration: Both the V_{SS} pin and the metal pad (E-pad) of the device should be connected to board ground.

Figure 14. Power Supply Connections for CY8CMBR3xxx CapSense Controllers^[10]



*SUPPLY_LOW_POWER bit in DEVICE_CFG3 register should be set to 1 to operate device at 1.8V (\pm 5%)

Note

10. Proper ground layout is important for best performance. Refer to the layout guidelines mentioned in the [CY8CMBR3xxx CapSense Design Guide](#) and [Getting started with CapSense](#) guide.

Electrical Specifications

Absolute Maximum Ratings

Table 9. Absolute Maximum Ratings^[11]

Parameter	Description	Conditions	Min	Typ	Max	Units
V _{DD_MAX}	Max voltage on the V _{DD} pin relative to V _{SS}	-40 °C to +85 °C T _A , absolute maximum	-0.5	-	6	V
V _{DDIO_MAX}	Max voltage on the V _{DDIO} pin relative to V _{SS}	-40 °C to +85 °C T _A , absolute maximum	0.5	-	6	V
V _{CC_MAX}	Max voltage on the V _{CC} pin relative to V _{SS}	Absolute maximum	-0.5	-	1.89	V
V _{IO}	DC input voltage relative to V _{SS} on I/O	-40 °C to +85 °C T _A , absolute maximum	-0.5	-	V _{DD} +0.5	V
ESD_HBM	Electrostatic discharge, human body model	Human body model ESD.	2200	-	-	V
ESD_CDM	Electrostatic discharge, charged device model	Charged device model ESD	500	-	-	V
I _{LU}	Latch-up current limits	Maximum/minimum current to any input or output, pin-to-pin or pin-to-supply	-140	-	140	mA
I _{IO}	Current per GPIO		-	-	25	mA

Operating Temperature

Table 10. Operating Temperature

Parameter	Description	Conditions	Min	Typ	Max	Units
T _O	Operation temperature	Ambient temperature inside system enclosure	-40	25	85	°C
T _J	Junction temperature		-40	-	100	°C

DC Electrical Characteristics

DC Chip-Level Specifications

The specifications in Table 11 are valid under these conditions: -40 °C ≤ T_A ≤ 85 °C. Typical values are specified at T_A = 25 °C, V_{DD} = 3.3 V, and are for design guidance only.

Table 11. DC Chip-Level Specifications

Parameter	Description	Conditions/Details	Min	Typ	Max	Units
V _{DD}	Chip supply voltage	V _{CC} shorted to V _{DD}	1.71	1.8	1.89	V
		V _{CC} not shorted to V _{DD} . V _{CC} connected to 0.1 μF decoupling capacitor	1.8	-	5.5	V
V _{DDIO}	Supply voltage I/O	1.71 V < V _{DD} < 1.89 V	1.71	-	V _{DD}	V
		1.8 V < V _{DD} < 5.5 V	1.71	-	V _{DD}	V
V _{DD_RIPPLE}	Maximum allowed ripple on power supply, DC to 10 MHz	+25 °C T _A , V _{DD} > 2 V, sensitivity ≥ 0.1 pF	-	-	±50	mV
		+25 °C T _A , V _{DD} > 1.75 V, C _P < 20 pF, sensitivity = 0.4 pF	-	-	±25	mV
C _{EFC}	External regulator voltage bypass (capacitor to be connected to the V _{CC} pin)	X5R ceramic ±10% or better	-	0.1	-	μF
C _{EXC}	Power supply decoupling capacitor on V _{DD}	X5R ceramic or better	-	1	-	μF

Note

11. Usage above the absolute maximum conditions listed in Table 9 may cause permanent damage to the device. Exposure to absolute maximum conditions for extended periods of time may affect device reliability. The maximum storage temperature is 150 °C in compliance with JEDEC Standard JESD22-A103, High Temperature Storage Life. When used below absolute maximum conditions, but above normal operating conditions, the device may not operate to specification.

XRES DC Specifications

Table 12. XRES DC Specifications

Parameter	Description	Conditions/Details	Min	Typ	Max	Units
V _{IH_XRES}	Input voltage high threshold on XRES pin	CMOS input	0.7*V _{DD}	–	–	V
V _{IL_XRES}	Input voltage low threshold on XRES pin	CMOS input	–	–	0.3*V _{DD}	V
C _{IN_XRES}	Input capacitance on XRES pin		–	–	7	pF
V _{HYSXRES}	Input voltage hysteresis on XRES pin	V _{DD} ≤ 4.5 V	–	0.05*V _{DD}	–	mV
		V _{DD} > 4.5 V	200	–	–	mV

DC I/O Port Specifications

The specifications in Table 13 are valid at –40 °C ≤ T_A ≤ +85 °C. Typical parameters are specified at T_A = 25 °C and are for design guidance only.

Table 13. DC I/O Port Specifications

Parameter	Description	Conditions	Min	Typ	Max	Units
V _{OH}	Output voltage HIGH level	I _{OH} = –4 mA at 3 V V _{DD}	V _{DD} –0.6	–	–	V
		I _{OH} = –1 mA at 1.8 V V _{DD}	V _{DD} –0.5	–	–	V
V _{OL}	Output voltage LOW level	I _{OL} = 4 mA at 1.8 V V _{DD}	–	–	0.6	V
		I _{OL} = 10 mA at 3 V V _{DD}	–	–	0.6	V
C _{PIN}	Pin capacitance	All V _{DD} , all packages, all I/Os	–	3	7	pF
I _{TOT_GPIO}	Maximum total sink chip current		–	–	85	mA
R _{PU}	Pull-up resistor	+25 °C T _A , All V _{DD}	3.5	5.6	8.5	kΩ

AC Electrical Specifications

Table 14. AC Chip-Level Specifications

Parameter	Description	Conditions	Min	Typ	Max	Units
T _{SR_POWER_UP}	Power supply slew rate during power-up	–40 °C ≤ T _A ≤ 85 °C, all V _{DD}	1	–	67	V/ms

XRES AC Specifications

Table 15. XRES AC Specifications

Parameter	Description	Conditions/Details	Min	Typ	Max	Units
T _{XRES}	External reset pulse width	–40 °C ≤ T _A ≤ 85 °C, all V _{DD}	5	–	–	μs

Note

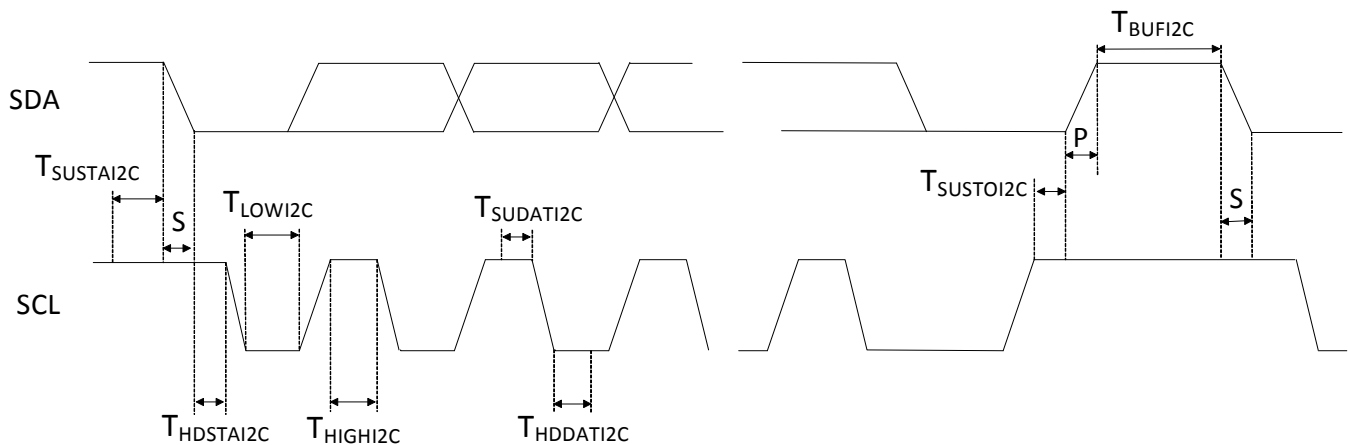
12. V_{IH} must not exceed V_{DD} + 0.2 V.

I²C Specifications

Table 16. I²C Specifications

Parameter	Description	Conditions	Min	Typ	Max	Units
FSCL_I2C_FM	I ² C SCL clock frequency		0	–	400	kHz
THDSTAI2C_FM	Hold time (repeated) START condition; after this period, the first clock pulse is generated		0.6	–	–	μs
TSUSTAI2C_FM	Setup time for a repeated START condition		0.6	–	–	μs
TLOWI2C_FM	LOW period of the SCL clock		1.3	–	–	μs
THIGHI2C_FM	HIGH period of the SCL clock		0.6	–	–	μs
THDDATI2C	Data hold time		0	–	–	μs
TSUDATI2C_FM	Data setup time		100	–	–	ns
TSUSTOI2C_FM	Setup time for I ² C STOP condition		0.6	–	–	μs
CB_FM	Capacitive load for each I ² C bus line		–	–	400	pF
TVDDATI2C_FM	Data valid time		–	–	0.9	μs
TVDACKI2C_FM	Data valid acknowledge time		–	–	0.9	μs
TSPI2C_FM	Pulse width of spikes suppressed by the input filter		–	–	50	ns
TBUFI2C_FM	Bus-free time between STOP and START condition		1.3	–	–	μs
VIL_I2C	Input LOW voltage	2-mA sink	–0.5	–	0.3 * V _{DD}	V
VIH_I2C	Input HIGH Voltage	3-mA sink	0.7 * V _{DD}	–	–	V
VOL_I2C_L	Output LOW voltage, low supply range	V _{DD} < 2 V, 3-mA sink	–	–	0.2 * V _{DD}	V
VOL_I2C_H	Output LOW voltage, high supply range	V _{DD} > 2 V, 3-mA sink	–	–	0.4	V
IOL_I2C_FM	I ² C output low current	Fast Mode, 1.71 V ≤ V _{DD} ≤ 5.5 V, load = CB _{SM} , V _{OL} = 0.6 V	6	–	–	mA
I2C_VHYS_HV	I ² C input hysteresis	Fast and standard mode I2C speeds. 2 V ≤ V _{DD} ≤ 4.5 V	0.05 * V _{DD}	–	–	mV
I2C_VHYS_5V5	I ² C input hysteresis	Fast and standard mode I2C speeds. 4.5 V < V _{DD} < 5.5 V	200	–	–	mV
I2C_VHYS_LV	I ² C input hysteresis	Fast and standard mode I2C speeds. V _{DD} < 2 V	0.1 * V _{DD}	–	–	mV

Figure 15. I²C Bus Timing Diagram for Fast or Standard Modes



System Specifications

The specifications in the following table are valid at $T_A = 25\text{ }^\circ\text{C}$ and $V_{DD} = 5\text{ V}$, unless otherwise specified.

Table 17. System Specifications

Parameter	Description	Conditions/Details	Min	Typ	Max	Units
C_P	Supported parasitic capacitance range of sensors	0.2-pF sensitivity, SNR 5:1	5	–	45	pF
		0.1-pF sensitivity, SNR 5:1	12	–	35	pF
		0.1-pF sensitivity, SNR 4:1	5	–	45	pF
C_{MOD}	Value for C_{MOD} external capacitor	5-V rating, X7R or NP0 Cap. $C_P \leq 45\text{ pF}$	–	2.2	–	nF
I_{AVG_NT}	Average current per button with no finger touch	$V_{DD} = 5\text{ V}, 3.3\text{ V}, 2.5\text{ V}, 1.8\text{ V}$, $C_P = 10\text{ pF}$, 2 buttons, Refresh interval = 120 ms, EMC disabled, 0.4-pF sensitivity	–	–	22	μA
I_{AVG_WT}	Average current with finger touch	$V_{DD} = 5\text{ V}, 3.3\text{ V}, 2.5\text{ V}, 1.8\text{ V}$, $C_P = 10\text{ pF}$, 8 buttons, Refresh interval = 120 ms, EMC disabled, 0.4-pF sensitivity	–	–	600	μA
I_{AVG_WF}	Average current with EMC	$V_{DD} = 5\text{ V}, 3.3\text{ V}, 2.5\text{ V}, 1.8\text{ V}$, $C_P = 10\text{ pF}$, 8 buttons, Refresh interval = 120 ms, EMC enabled, 0.4-pF sensitivity	–	–	300	μA
I_{AVG_NF}	Average current without EMC	$V_{DD} = 5\text{ V}, 3.3\text{ V}, 2.5\text{ V}, 1.8\text{ V}$, $C_P = 10\text{ pF}$, 8 buttons, Refresh interval = 120 ms, EMC disabled	–	–	100	μA
I_{DS}	Deep Sleep current with I^2C on	$V_{DD} \leq 3.3\text{ V}$, $T_A = 25\text{ }^\circ\text{C}$, I^2C Enabled	–	2.5	–	μA
T_{BOOT_SYS}	Boot-up time (time from power-up to first sensor scan) with system diagnostics enabled and EMC disabled	16 buttons, $C_P \leq 18\text{ pF}$	–	–	900	ms
T_{BOOT_WF}	Boot-up time (time from power-up to first sensor scan) with no system diagnostics and EMC enabled	10 buttons, $C_P \leq 18\text{ pF}$	–	–	850	ms
T_{BOOT}	Boot-up time (time from power-up to first sensor scan) with no system diagnostics and EMC disabled	16 buttons, $C_P \leq 18\text{ pF}$	–	–	400	ms
$T_{BOOT_SYS_WF}$	Boot-up time (time from power-up to first sensor scan) with both system diagnostics and EMC enabled.	10 buttons, $C_P \leq 18\text{ pF}$	–	–	1350	ms
$T_{I2CBOOT}$	Boot up time (time from power to I^2C ready)		–	–	15	ms
$T_{I2C_LATENCY_MAX}$	Time between I^2C command and execution (for all commands except the "Save" ^[13] command)		–	–	50	ms

Note

13. Save command takes 220 ms to execute.

Table 17. System Specifications (continued)

Parameter	Description	Conditions/Details	Min	Typ	Max	Units
T _{HI}	Host interrupt pulse width	5 V, 1.8 V	200	–	700	μs
F _{BUZ_4}	Buzzer output frequency	5 V, 1.8 V	–	4.00	–	kHz
F _{BUZ_2.67}	Buzzer output frequency	5 V, 1.8 V	–	2.67	–	kHz
F _{BUZ_2}	Buzzer output frequency	5 V, 1.8 V	–	2.00	–	kHz
F _{BUZ_1.60}	Buzzer output frequency	5 V, 1.8 V	–	1.60	–	kHz
F _{BUZ_1.33}	Buzzer output frequency	5 V, 1.8 V	–	1.33	–	kHz
F _{BUZ_1.143}	Buzzer output frequency	5 V, 1.8 V	–	1.14	–	kHz
F _{BUZ_1}	Buzzer output frequency	5 V, 1.8 V	–	1.00	–	kHz
F _{PWM}	GPO PWM frequency	5 V, 1.8 V	–	106.7	–	Hz
T _{SNS_RST5}	Sensor auto-reset interval 5 sec	5 V, 1.8 V	–	5	–	sec
T _{SNS_RST20}	Sensor auto-reset interval 20 sec	5 V, 1.8 V	–	20	–	sec
T _{FAULTY_SNS_PULSE}	Pulse width on GPOx when the corresponding CSx fails the system diagnostics test		–	50	–	ms
C _{P_SHIELD}	Maximum C _P supported for shield electrode		–	–	100	pF

Power Consumption and Operational States

The CY8CMBR3xxx family of controllers is designed with multiple low-power operational states to meet the low-power requirements of battery-powered applications. These controllers have the following operational states (see Figure 16):

1. **Boot:** The devices load the last-known configuration data and run system diagnostics tests.
2. **Active:** The sensors are scanned at a speed set by the refresh interval to determine the presence of touch, proximity, or finger position on a slider, and any configured outputs (GPOs, buzzer, and HI) are driven. The refresh interval can be configured from 20 ms to 500 ms in steps of 20 ms, either using the [EZ-Click](#) tool or by configuring the register.
3. **Look-for-Touch:** All the sensors are scanned at a much slower, user-configured refresh interval, and any enabled GPOs (such as PWM or DC Toggle) are driven.
4. **Look-for-Proximity:** Only proximity sensors enabled for wake-on approach are scanned. No outputs are driven in this state.
5. **Deep Sleep:** No sensors are scanned, and the CY8CMBR3xxx devices are in a low-power state with no processing. The GPO status is reset to the default value in the Deep Sleep mode.
6. **Configuration:** No scanning or reporting occurs and the devices wait for a reset for the configuration settings to take effect.

The CY8CMBR3xxx controllers automatically manage transitions between four operational states (Boot, Active, Look-for-Touch, and Look-for-Proximity). The host can force transition in and out of the Deep Sleep state. A host command can alter the configuration data, causing a transition to the Configuration state. A transition can also occur automatically after boot.

The Active state emphasizes a high refresh rate (that is, low refresh interval) for fast responses to button touches and proximity events. The Look-for-Touch state enables low power consumption during periods of no-touch activity.

The Look-for-Proximity state allows ultra-low power consumption when a human body is not in close proximity. This state is entered only if the wake-on-approach feature is enabled (and the toggle is disabled). In this state, the CY8CMBR3xxx controllers periodically scan proximity sensors to determine the presence of a human body. If they detect human presence, the

controllers enter the Look-for-Touch state, in which they scan all sensors at a slow, user-configured refresh interval. If a touch is present, the controllers either enter or remain in the Active state, in which they update the sensor status and drive the corresponding outputs. A transition from Active to Look-for-Touch occurs when no touch is detected and the buzzer is not driven. Similarly, a transition from Look-for-Touch to Look-for-Proximity occurs when no proximity is detected.

The following parameters configure the operational states:

- **State timeout (Register STATE_TIMEOUT)** defines the following:
 - Minimum time (in seconds) of no touch activity in the Active state
 - Minimum time to trigger a transition to the Look-for-Touch state
 - Minimum time of no touch activity in the Look-for-Touch state
 - Minimum time to trigger a transition to the Look-for-Proximity state
- **Refresh Interval (Register REFRESH_CTRL)** defines the minimum time between the start of subsequent scans in the Look for Touch and Look-for-Proximity states.

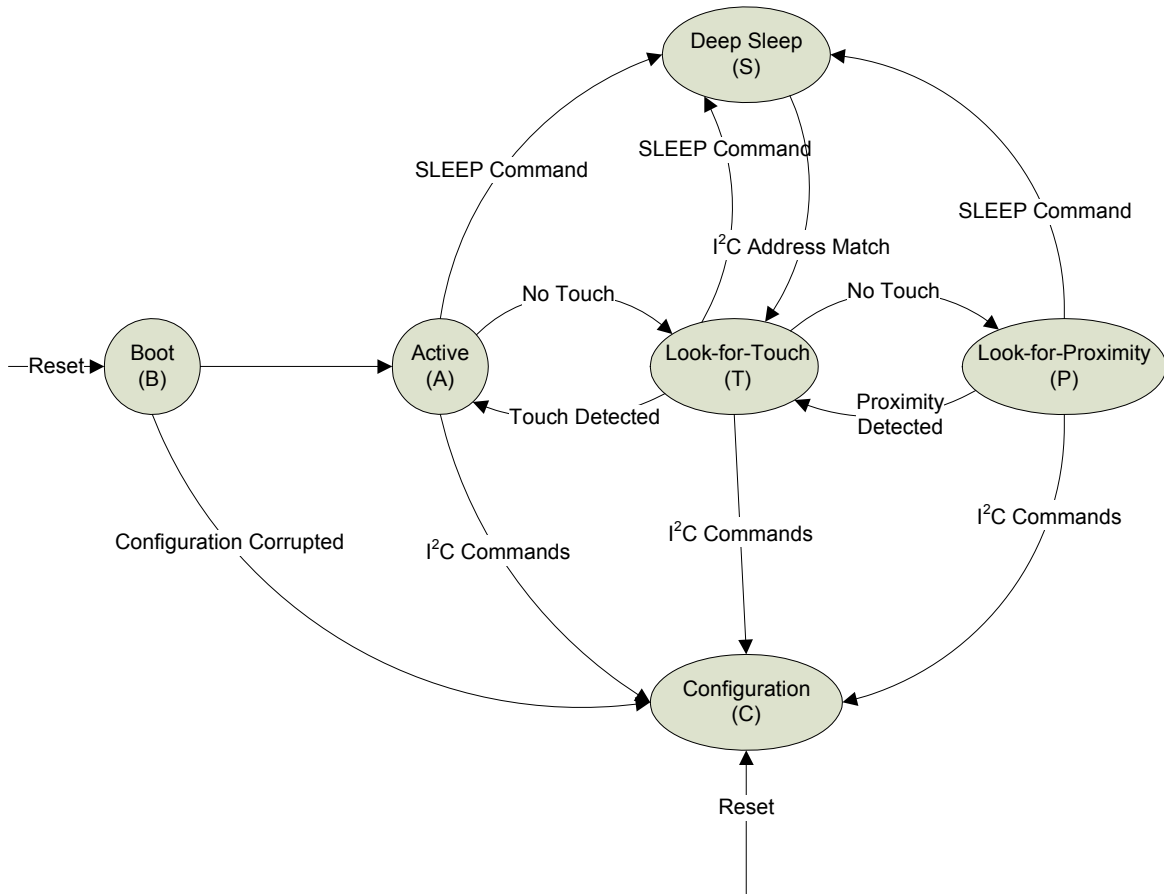
- The Refresh Interval for the Active state is fixed at 20 ms.

During all three states—Active, Look-for-Touch, and Look-for-Proximity—the devices enter standby mode after scanning and processing the requisite sensors. This helps to maintain the lowest power consumption within any refresh interval.

The following guidelines result in the lowest operating current:

- Ground all unused CapSense inputs (CSx)
- Minimize C_p
- Reduce CSx button sensitivity
- Configure the design to be optimized for power consumption
- Avoid using a high noise immunity level in a low-noise environment
- Use a higher Button Scan Rate or Deep Sleep operating mode

Figure 16. CY8CMBR3xxx Operational States and Transitions



Response Time

Response time for button and proximity sensors is the minimum amount of time for which the sensor must be active/inactive (touched or proximity present), for the device to detect it as a valid activation or deactivation event.

For the CY8CMBR3xxx device family, response time numbers for different sensors can be estimated using the design toolbox. The following response time numbers are provided in the toolbox:

- R_{FBT} : This value represents the response time for first button touch when the device is in the Look-for-Touch or Look-for-Proximity operational states.
- R_{CBT} : This value represents the response time for consecutive button touches when the device is in the Active operational state.
- R_{FST} : This value represents the response time for the first slider touch when the device is in the Look-for-touch operational state.
- R_{CST} : This value represents the response time for consecutive slider touches when the device is in the Active operational state.
- R_{BSR} : This value represents the response time for button and slider release events when the device is in the Active operational state.
- R_{Prox} : This value represents the response time for detecting valid proximity events on a proximity sensor.
- $R_{Prox_release}$: This value represents the response time for proximity release events on a proximity sensor.

CY8CMBR3xxx Resets

The CY8CMBR3xxx family of CapSense controllers has three reset options – two hardware resets and one software reset.

- Hardware Resets
 - Power reset – Toggling the power on the V_{DD} pin of the CapSense controller resets the controller.
 - \overline{XRES} reset – Pull the device \overline{XRES} pin LOW for T_{XRES} duration and then pull it HIGH.

Software Reset

To reset the software, write one `SW_RESET` command to the command register. All three resets are functionally equivalent, and the CapSense controllers enter the Boot state (refer to the [Power Consumption and Operational States](#) section) after any reset.

Host Communication Protocol

The CY8CMBR3xxx CapSense controllers communicate to the host through the I²C interface. I²C is a simple two-wire synchronous communication protocol that uses the following two lines:

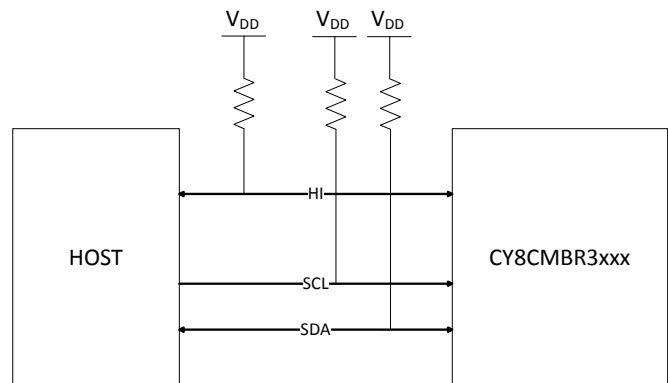
- Serial Clock (SCL) – This line is used to synchronize the slave with the master.
- Serial Data (SDA) – This line is used to send data between the master and the slave.

The CY8CMBR3xxx I²C interface has the following features:

- Bit rate of 400 kbps
- Configurable I²C slave address (7-bit)
- No bus-stalling or clock-stretching during transactions
- Register-based access to the I²C master for reads and writes
- Repeated START support

The CY8CMBR3xxx CapSense controllers can be part of a single-slave or a multi-slave environment.

Figure 17. I²C Communication Between One Master and One Slave



I²C Slave Address

To identify each device on the I²C bus, a unique 7-bit I²C slave address is used. When the master wants to communicate with a slave on the bus, it sends a START condition followed by the appropriate I²C address. The START condition alerts all slaves on the bus when a new transaction starts. The slave with the specified I²C address acknowledges the master. All the other slaves ignore further traffic on the bus until the next START condition is detected.

I²C Communication Guidelines

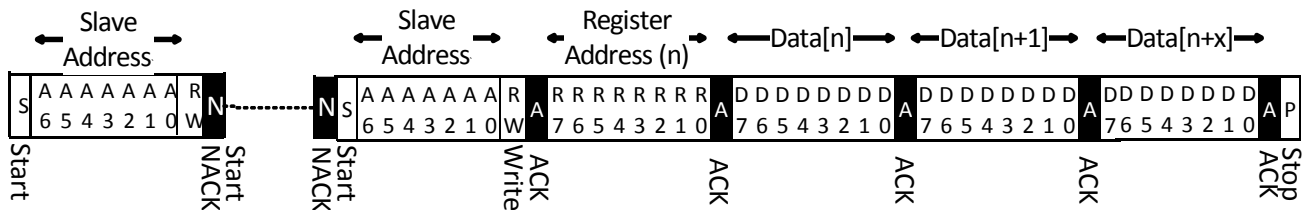
1. After device reset, the host should wait for $T_{I2CBOOT}$ time before initiating any I²C communication. The CY8CMBR3xxx CapSense controller family will generate a NACK if the host tries to communicate before this period.
2. The CY8CMBR3xxx controller is expected to NACK the address match event if it is in the standby mode (during any of the operational states – Deep Sleep, Look-for-Touch, Look-for-Proximity, or Active). The controller wakes up from the standby mode on an address match but sends NACK until it transitions into the Active state. When the device NACKs a transaction the host is expected to retry the transaction until it receives an ACK.
3. If there is a delay of more than 340 ms between two subsequent bytes within an I²C transaction, the device may go into standby mode and the host may get a NACK.
4. When the host sends the SAVE_CHECK_CRC command, the device will send a NACK on any subsequent I²C transactions until the command execution is completed. The time taken to complete the SAVE_CHECK_CRC command is 220 ms typ.
5. The host must not write to read-only registers. All write operations directed to such read-only registers are ignored.

Write Operation

A host performs the following steps during a write operation:

1. The host sends the START condition.
2. The host specifies the slave address, followed by the read/write bit to specify a write operation.
3. The device may NACK the host.
4. The host sends a Repeat Start (or a stop followed by a start condition), followed by the address and read/write bit, to specify a write operation. The host keeps sending the Repeat Start with the address and read/write bits until the device sends an ACK. The device ACKs the host.
5. The host specifies the register address to which it has to write.
6. The device ACKs the host.
7. The host starts sending the data to the device, which is written to the register address specified by the host. This is followed by an ACK from the device.
8. If the write operation includes more bytes, each one is written to the successive register address. Each successive byte is followed by an ACK from the device.
9. After the write operation is complete, the host sends the STOP condition to the device. This marks the end of the communication (see Figure 18).

Figure 18. Host Writing x Bytes to the Device

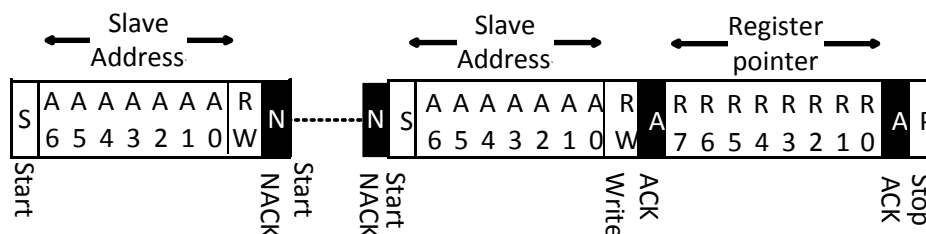


Setting the Device Data Pointer

The host sets the device data pointer to specify the starting point for future read operations. Setting the device data pointer involves the following steps:

1. The host sends the START condition.
2. The host specifies the slave address, followed by the read/write bit to specify a write operation.
3. The device may NACK the host.
4. The host sends a Repeat Start, followed by the address and read/write bit, to specify a write operation. The host keeps sending the repeat start with the address and read/write bit until the device sends an ACK.
5. The device ACKs the host.
6. The host specifies the register address. Any further read operation will take place from this address.
7. The host sends the STOP condition (see Figure 19).

Figure 19. Host Setting the Device Data Pointer

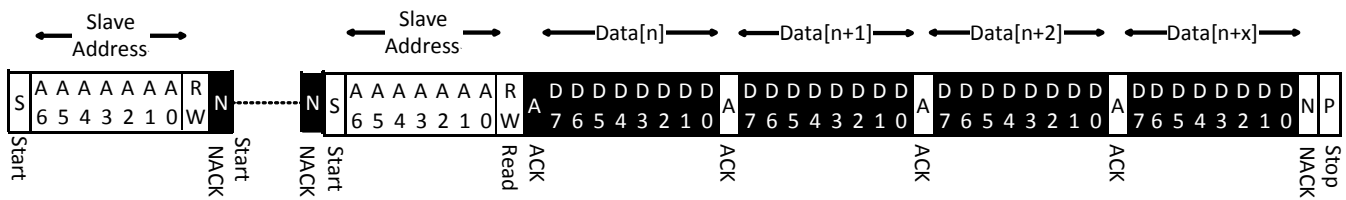


Read Operation

The host performs the following steps for a read operation:

1. The host sends the START condition.
2. The host specifies the slave address, followed by the read/write bit to specify a write operation.
3. The device may NACK the host.
4. The host sends a repeat start followed by the address and read/write bit to specify a write operation. The host keeps sending the repeat start with the address and read/write bits until the device sends an ACK.
5. The device ACKs the host.
6. The device retrieves the byte from the pre-specified register address and sends it to the host. The host ACKs the device.
7. Each successive byte is retrieved from the successive register address and sent to the host, followed by ACKs from the host.
8. After the host receives the required bytes, it NACKs the device.
9. The host sends the STOP condition to the device. This marks the end of the communication (see [Figure 20](#)).

Figure 20. Host Reading x Bytes from the Device



Legend:

CY8CMBR3xxx to Host
HOST to CY8CMBR3xxx

Layout Guidelines and Best Practices

Cypress provides an extensive set of design guidelines for CapSense board designs. Refer to the [CY8CMBR3xxx CapSense Design Guide](#) for complete system guidelines.

Ordering Information

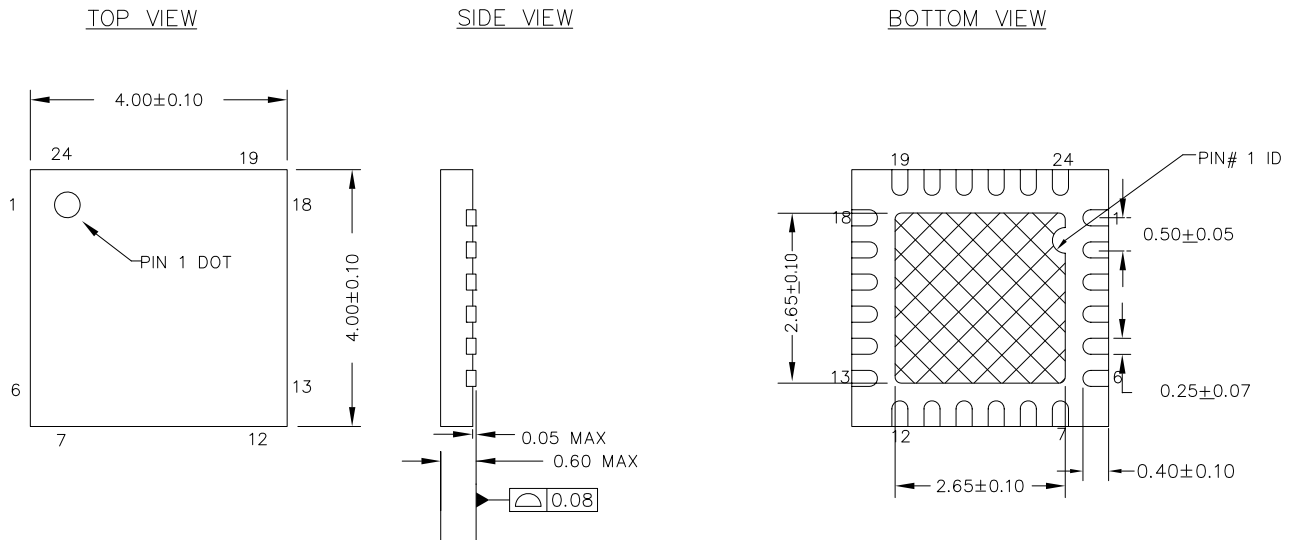
The CY8CMBR3xxx family consists of six parts that vary depending on the parameters. The following table lists all the parts and a summary of the features supported.

Table 18. Ordering Information


Ordering Code	Package Type	Operating Temperature	Total Capacitive Sensing Inputs	CapSense Buttons	Sliders	Proximity Sensors	GPOs	Shield	Communication Interface
CY8CMBR3116-LQXI	24-pin QFN	Industrial	Up to 16	Up to 16	0	Up to 2	Up to 8	1	I ² C / GPO
CY8CMBR3106S-LQXI	24-pin QFN	Industrial	Up to 16	Up to 11	Up to 2	Up to 2	0	1	I ² C
CY8CMBR3110-SX2I	16-pin SOIC	Industrial	Up to 10	Up to 10	0	Up to 2	Up to 5	1	I ² C / GPO
CY8CMBR3108-LQXI	16-pin QFN	Industrial	Up to 8	Up to 8	0	Up to 2	Up to 4 + HI	1	I ² C / GPO
CY8CMBR3102-SX1I	8-pin SOIC	Industrial	Up to 2	Up to 2	0	Up to 2	Up to 1	1	I ² C/GPO
CY8CMBR3002-SX1I	8-pin SOIC	Industrial	2	2	0	0	2	0	GPO

Packaging Dimensions

Figure 21. 24-Pin QFN (Sawn) 4 × 4 × 0.55 mm

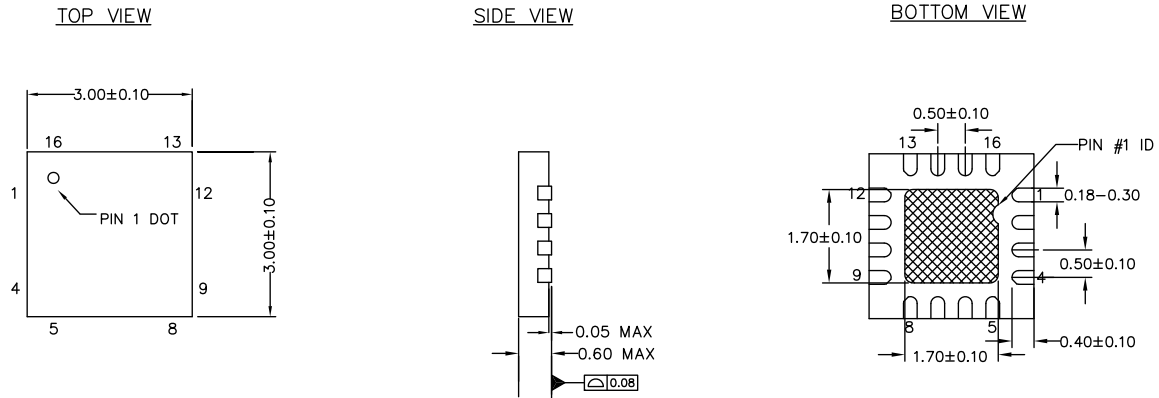


NOTES :


1.  HATCH IS SOLDERABLE EXPOSED METAL.
2. REFERENCE JEDEC # MO-248
3. PACKAGE WEIGHT : 29 ± 3 mg
4. ALL DIMENSIONS ARE IN MILLIMETERS

001-13937 *E

Figure 22. 16-Pin QFN 3 × 3 × 0.6 mm

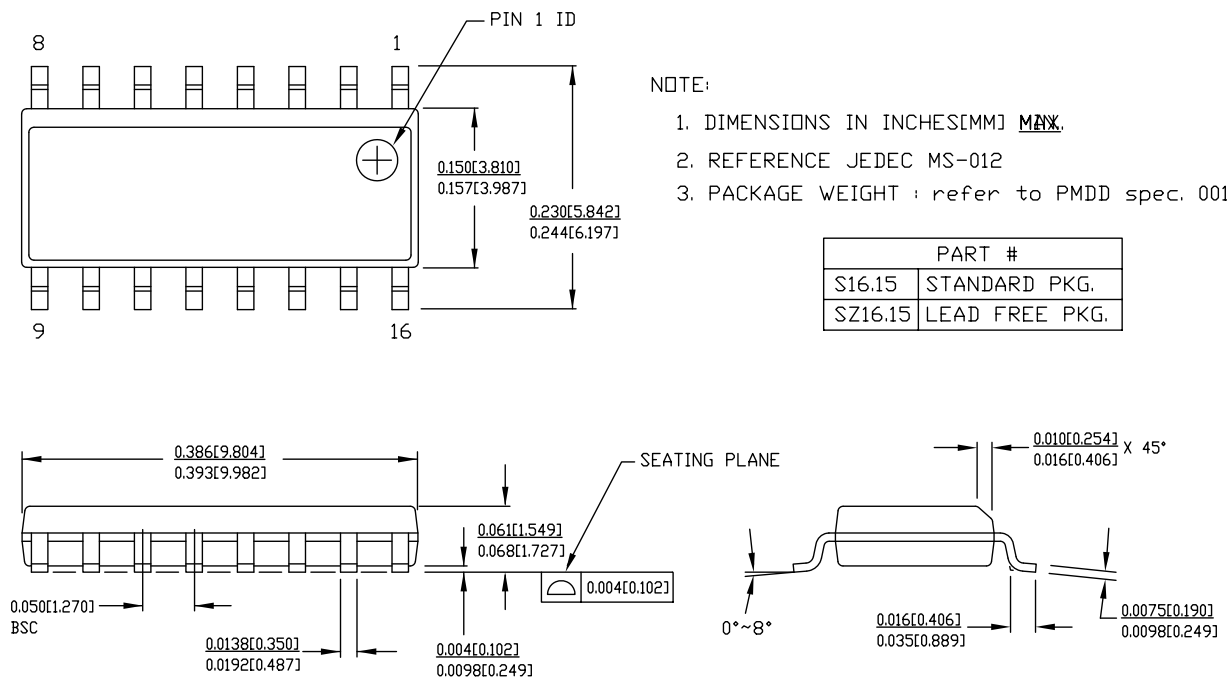


NOTES

1.  HATCH AREA IS SOLDERABLE EXPOSED PAD
2. REFERENCE JEDEC # MO-248
3. ALL DIMENSIONS ARE IN MILLIMETERS
4. PACKAGE WEIGHT: See Cypress Package Material Declaration Datasheet (PMDD) posted on the Cypress web

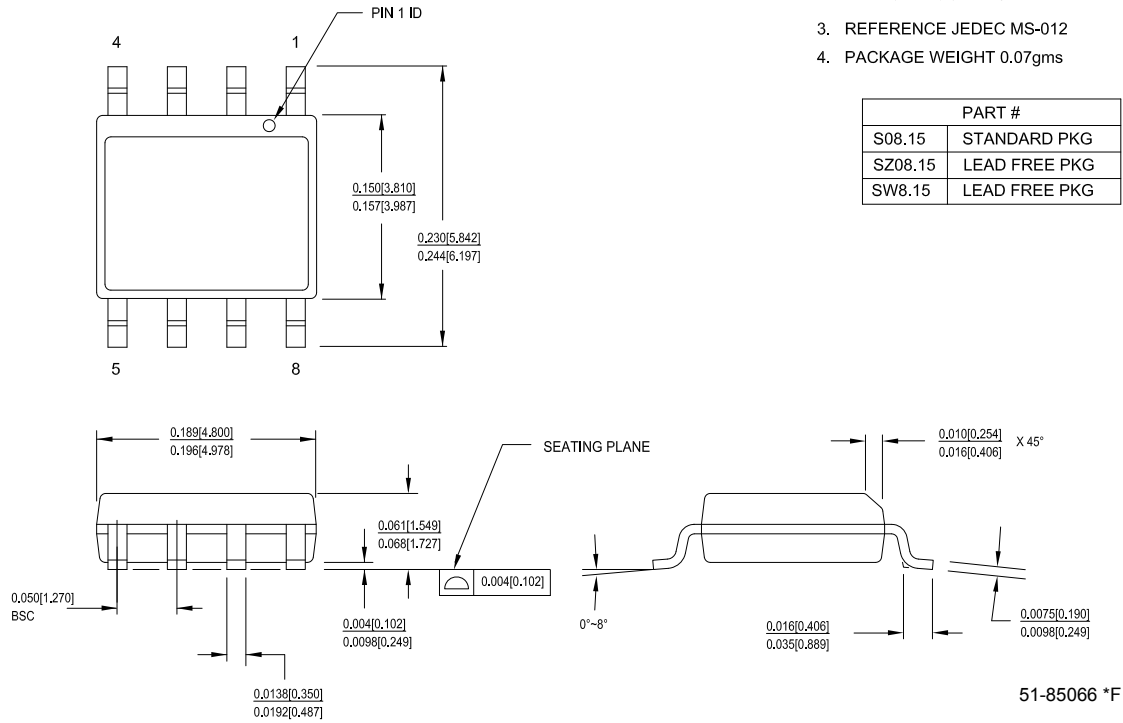
001-87187 **

Figure 23. 16-Pin SOIC (150 mil)



51-85068 *E

Figure 24. 8-Pin SOIC (150 mil)



1. DIMENSIONS IN INCHES[MM] MIN. MAX.
2. PIN 1 ID IS OPTIONAL, ROUND ON SINGLE LEADFRAME RECTANGULAR ON MATRIX LEADFRAME
3. REFERENCE JEDEC MS-012
4. PACKAGE WEIGHT 0.07gms

PART #	
S08.15	STANDARD PKG
SZ08.15	LEAD FREE PKG
SW8.15	LEAD FREE PKG

Thermal Impedances

Table 19. Thermal Impedances

Package	Typical θ_{JA} (°C/W)
8-pin SOIC	127 °C/W
16-pin SOIC	80 °C/W
16-pin QFN	33 °C/W
24-pin QFN	21 °C/W

Solder Reflow Specifications

Table 20 illustrates the minimum solder reflow peak temperature to achieve good solderability.

Table 20. Solder Reflow Specifications

Package	Maximum Peak Temperature	Time at Maximum Temperature
8-pin SOIC	260 °C	20 s
16-pin SOIC	260 °C	20 s
16-pin QFN	260 °C	20 s
24-pin QFN	260 °C	20 s

Appendix

Units of Measure

Table 21. Units of Measure

Symbol	Units of Measure
°C	degrees Celsius
fF	femtofarad
Hz	hertz
kbps	kilobits per second
kHz	kilohertz
kΩ	kilo ohm
MHz	megahertz
μA	microampere
μF	microfarad
μs	microsecond
mA	milliampere
ms	millisecond
mV	millivolt
nA	nanoampere
ns	nanosecond
nV	nanovolt
Ω	ohm
pp	peak-to-peak
pF	picofarad
s	second
V	volt

Glossary

C_p	Parasitic capacitance.
EZ-Click	The customizer tool (GUI) that enables easy register configurability and debugging for the CY8CMBR3xxx family of controllers.
GPO	General Purpose Output – that is, an output pin on a chip that the user can configure.
FSS	Flanking Sensor Suppression. An algorithm that distinguishes between signals from closely spaced buttons, eliminating false touches. It ensures that the system recognizes only the first button touched.
SmartSense	Cypress CapSense algorithm that continuously compensates for system, manufacturing, and environmental changes.
SNR	A ratio of the sensor signal, when touched, to the noise signal of an untouched sensor.
Toggle	An MBR device feature that toggles the state of GPOs on every sensor activation.
Open-Drain Low-Drive mode	An output pin drive mode wherein logic 0 is represented by a low voltage (that is, Voltage < V _{OL}), whereas logic 1 is represented by floating the output line to a HIGH impedance state.
Strong Drive mode	An output pin drive mode where logic 0 is represented by a low voltage (that is, Voltage < V _{OL}), whereas logic 1 is represented by a high voltage (that is, Voltage > V _{OH}).
Raw counts	A count value representing a digital count equivalent of sensed capacitance.
Baseline	A filtered version of the raw counts. The baseline essentially tracks the value of the parasitic capacitance in the system but does not track the value of the finger capacitance.
Parasitic capacitance	The intrinsic capacitance of PC board traces to sensors.
Finger capacitance	Additional capacitance introduced on a CapSense sensor when a finger approaches/touches the sensor.
Global setting	A setting value that is common for all elements of a set.
Active LOW signal	A signal that indicates the active state by logic 0 and the inactive state by logic 1 values.
Active HIGH signal	A signal that indicates the active state by logic 1 and the inactive state by logic 0 values.

Reference Documents

Document Title	Description
CapSense CY8CMBR3xxx Design Guide	Provides design guidance for using capacitive touch sensing (CapSense) functionality with the CY8CMBR3xxx family of CapSense controllers.
Getting Started with CapSense®	Provides a starting point for anyone who is new to capacitive touch sensing (CapSense) and for anyone learning key design considerations and layout best practices.
Design Toolbox	Includes four sections – General Layout Guidelines for a CapSense PCB, a layout estimator for estimating button dimensions, a power consumption calculator (based on button dimensions), and the Design Validation tool to validate the layout design.
EZ-Click User Guide	Gives instructions on how to install and uninstall the EZ-Click Customizer tool and describes how to set up the boards. It also includes detailed descriptions of all the tabs in the GUI.
CY8CMBR3xxx Programming Specifications	Gives the information necessary to program the nonvolatile memory of the CY8CMBR3xxx devices. It describes the communication protocol required for access by an external programmer, explains the programming algorithm, and gives electrical specifications of the physical connection.
CapSense® Express™ Controllers Registers TRM	Lists and details all registers of CY8CMBR3102, CY8CMBR3106S, CY8CMBR3108, CY8CMBR3110, and CY8CMBR3116 CapSense® Express™ controllers. All registers are listed in the order of address.

Document History Page

Document Title: CY8CMBR3002, CY8CMBR3102, CY8CMBR3106S, CY8CMBR3108, CY8CMBR3110, CY8CMBR3116 CapSense® Express™ Controllers with SmartSense™ Auto-tuning 16 Buttons, 2 Sliders, Proximity Sensors Document Number: 001-85330				
Revision	ECN	Orig. of Change	Submission Date	Description of Change
**	3799293	KRSH	02/22/2013	New datasheet.
*A	3998197	BVI	05/14/2013	Updated the title to 'CY8CMBR3116, CY8CMBR3102 CY8CMBR3106S, CY8CMBR3002 CY8CMBR3108, CY8CMBR3110 CapSense Express 16-Button Controller'. Updated Features - removed clock sources and internal low dropout voltage regulator. Changed button shorts to sensor shorts. Updated Pinouts section. Updated Latch Status Read and Analog Voltage Support sections. Removed 'Low-Power Sleep Mode' section.
*B	4109490	PRIA/ SNPR/BVI	08/30/2013	Updated the title to 'CY8CMBR3002, CY8CMBR3102, CY8CMBR3106S, CY8CMBR3108, CY8CMBR3110, CY8CMBR3116 CapSense® Express™ Controllers with SmartSense™ Auto-tuning 16 Buttons, 2 Sliders, Proximity Sensors' Changed datasheet status from Advance to Preliminary Added General Description , System Overview and CY8CMBR3xxx Ecosystem sections Updated Features Updated pinout for CY8CMBR3106S (16 Sensing Inputs; Sliders Supported) Added Pinouts Updated Ordering Information to be consistent with MPNs and features Updated Reference Documents section
*C	4127409	DST	09/18/2013	Corrected voltage range in Host Communication Protocol . Updated min value for C_{EXC} . Modified description of C_{IN_XRES} . Updated conditions for V_{OH} in DC I/O Port Specifications . Updated conditions for V_{IL} I2C. Changed typical value for T_{I2CWU} from 30 to 35. Changed typical value for F_{PWM} from 100 to 106.6. Corrected units of measurement in I2C Specifications and System Specifications . Added statement for Repeated START support.
*D	4227456	PRIA	12/20/2013	Added default configuration in the pin description tables. Updated SOIC pinouts. Updated scan time table. Updated Figure 4 for clarity. Added Errata section.

**Document Title: CY8CMBR3002, CY8CMBR3102, CY8CMBR3106S, CY8CMBR3108, CY8CMBR3110, CY8CMBR3116
CapSense® Express™ Controllers with SmartSense™ Auto-tuning 16 Buttons, 2 Sliders, Proximity Sensors
Document Number: 001-85330**

Revision	ECN	Orig. of Change	Submission Date	Description of Change
*E	4283569	PRIA	02/26/2014	<p>Mentioned "sensitivity up to 2 fF per count" in Features. Added note stating Low-power 1.71-V to 5.5-V operation in Features. Removed V_{DD} and V_{DDIO} from Figure 1. Added links to design guide, Registers TRM, and device landing page Updated Pinouts for CY8CMBR3116, CY8CMBR3106S, and CY8CMBR3110. Added overlines for active low XRES and HI pins in pin diagrams and schematics. Added "LED On time" feature details to Device Feature Details. Added description for Automatic Threshold and Sensitivity Control features Updated Example Application Schematics to show both 0.1 uF and 1 uF decoupling caps for power supply pins. Updated Power Supply Information for clarity. Added description for use of SUPPLY_LOW_POWER bit. Added power sequencing details. Updated Figure 14 to show both 0.1 uF and 1 uF decoupling caps for power supply pins V_{DD} and V_{DDIO}. Added V_{DD_RIPPLE} spec to DC Electrical Characteristics. Removed V_{IH}, V_{IL}, I_{IL} specs as the CY8CMBR3xxx configurable device family does not provide any configurable input pins. Added R_{PU} to DC I/O Port Specifications. Updated I2C_VHYS_HV and VHYSXRES, and added spec I2C_VHYS_5V5 in I2C Specifications. Updated System Specifications. Replaced all instances of "scan time" and "Refresh rate" with "Refresh interval" Rewrote Response Time section for clarity. Updated Host Communication Protocol with updated I2C communication guidelines. Added CapSense® Express™ Controllers Registers TRM in Reference Documents.</p>
*F	4305041	PRIA	03/11/2014	<p>Updated Ordering Information to show shield for all parts other than CY8CMBR3002 Updated "If Unused" configuration in Pinouts Updated pin diagram for CY8CMBR3110 to correct a misspelling - changed CPO0 to GPO0 Changed datasheet status to Final</p>



Sales, Solutions, and Legal Information

Worldwide Sales and Design Support

Cypress maintains a worldwide network of offices, solution centers, manufacturer's representatives, and distributors. To find the office closest to you, visit us at [Cypress Locations](#).

Products

Automotive	cypress.com/go/automotive
Clocks & Buffers	cypress.com/go/clocks
Interface	cypress.com/go/interface
Lighting & Power Control	cypress.com/go/powerpsoc cypress.com/go/plc
Memory	cypress.com/go/memory
PSoC	cypress.com/go/psoc
Touch Sensing	cypress.com/go/touch
USB Controllers	cypress.com/go/USB
Wireless/RF	cypress.com/go/wireless

PSoC[®] Solutions

psoc.cypress.com/solutions
PSoC 1 | PSoC 3 | PSoC 4 | PSoC 5LP

Cypress Developer Community

[Community](#) | [Forums](#) | [Blogs](#) | [Video](#) | [Training](#)

Technical Support

cypress.com/go/support

© Cypress Semiconductor Corporation, 2013-2014. The information contained herein is subject to change without notice. Cypress Semiconductor Corporation assumes no responsibility for the use of any circuitry other than circuitry embodied in a Cypress product. Nor does it convey or imply any license under patent or other rights. Cypress products are not warranted nor intended to be used for medical, life support, life saving, critical control or safety applications, unless pursuant to an express written agreement with Cypress. Furthermore, Cypress does not authorize its products for use as critical components in life-support systems where a malfunction or failure may reasonably be expected to result in significant injury to the user. The inclusion of Cypress products in life-support systems application implies that the manufacturer assumes all risk of such use and in doing so indemnifies Cypress against all charges.

Any Source Code (software and/or firmware) is owned by Cypress Semiconductor Corporation (Cypress) and is protected by and subject to worldwide patent protection (United States and foreign), United States copyright laws and international treaty provisions. Cypress hereby grants to licensee a personal, non-exclusive, non-transferable license to copy, use, modify, create derivative works of, and compile the Cypress Source Code and derivative works for the sole purpose of creating custom software and/or firmware in support of licensee product to be used only in conjunction with a Cypress integrated circuit as specified in the applicable agreement. Any reproduction, modification, translation, compilation, or representation of this Source Code except as specified above is prohibited without the express written permission of Cypress.

Disclaimer: CYPRESS MAKES NO WARRANTY OF ANY KIND, EXPRESS OR IMPLIED, WITH REGARD TO THIS MATERIAL, INCLUDING, BUT NOT LIMITED TO, THE IMPLIED WARRANTIES OF MERCHANTABILITY AND FITNESS FOR A PARTICULAR PURPOSE. Cypress reserves the right to make changes without further notice to the materials described herein. Cypress does not assume any liability arising out of the application or use of any product or circuit described herein. Cypress does not authorize its products for use as critical components in life-support systems where a malfunction or failure may reasonably be expected to result in significant injury to the user. The inclusion of Cypress' product in a life-support systems application implies that the manufacturer assumes all risk of such use and in doing so indemnifies Cypress against all charges.

Use may be limited by and subject to the applicable Cypress software license agreement.



Компания «ЭлектроПласт» предлагает заключение долгосрочных отношений при поставках импортных электронных компонентов на взаимовыгодных условиях!

Наши преимущества:

- Оперативные поставки широкого спектра электронных компонентов отечественного и импортного производства напрямую от производителей и с крупнейших мировых складов;
- Поставка более 17-ти миллионов наименований электронных компонентов;
- Поставка сложных, дефицитных, либо снятых с производства позиций;
- Оперативные сроки поставки под заказ (от 5 рабочих дней);
- Экспресс доставка в любую точку России;
- Техническая поддержка проекта, помощь в подборе аналогов, поставка прототипов;
- Система менеджмента качества сертифицирована по Международному стандарту ISO 9001;
- Лицензия ФСБ на осуществление работ с использованием сведений, составляющих государственную тайну;
- Поставка специализированных компонентов (Xilinx, Altera, Analog Devices, Intersil, Interpoint, Microsemi, Aeroflex, Peregrine, Syfer, Eurofarad, Texas Instrument, Miteq, Cobham, E2V, MA-COM, Hittite, Mini-Circuits, General Dynamics и др.);

Помимо этого, одним из направлений компании «ЭлектроПласт» является направление «Источники питания». Мы предлагаем Вам помощь Конструкторского отдела:

- Подбор оптимального решения, техническое обоснование при выборе компонента;
- Подбор аналогов;
- Консультации по применению компонента;
- Поставка образцов и прототипов;
- Техническая поддержка проекта;
- Защита от снятия компонента с производства.



Как с нами связаться

Телефон: 8 (812) 309 58 32 (многоканальный)

Факс: 8 (812) 320-02-42

Электронная почта: org@eplast1.ru

Адрес: 198099, г. Санкт-Петербург, ул. Калинина, дом 2, корпус 4, литера А.