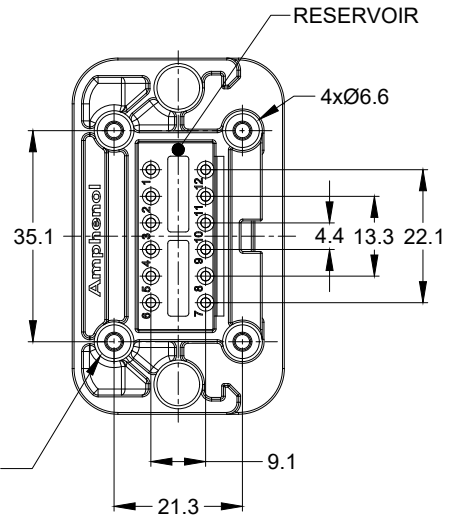
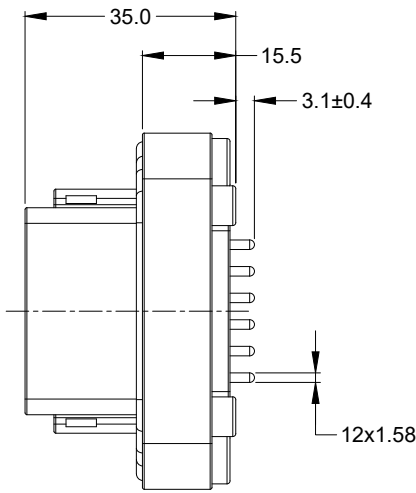
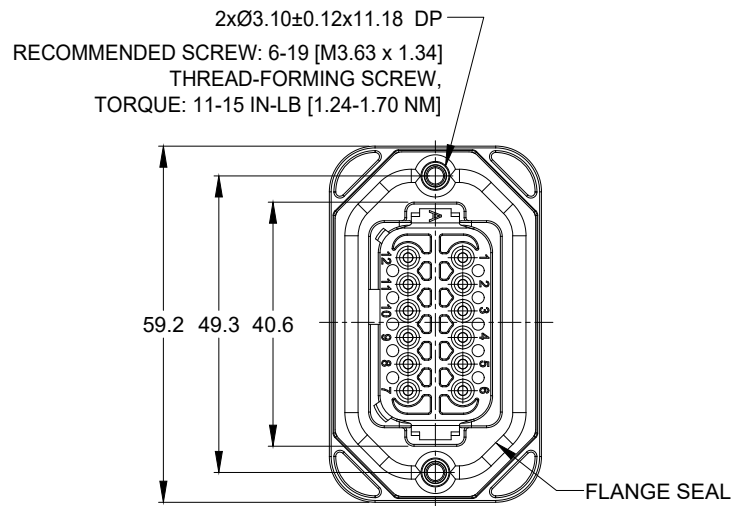
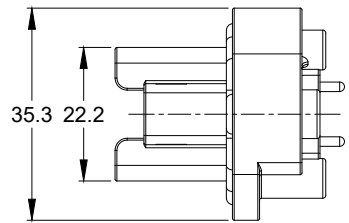
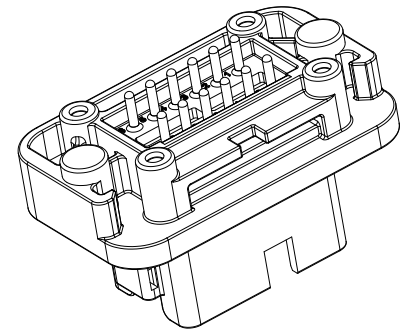


REVISIONS					
REV	ECO	DESCRIPTION	DATE	BY	APPR
A1	--	RELEASE NEW DRAWING	14/DEC/18	BROOK	TOMMY
A2	C1105S	UPDATE DRAWING	19/AUG/19	BROOK	TOMMY



4x Ø2.79±0.12 x8.0 DP
RECOMMENDED SCREW: 4-20 [M3.12 x 1.27]
THREAD-FORMING SCREW,
TORQUE: 6-10 IN-LB [0.68-1.13 NM]



NOTES: UNLESS OTHERWISE SPECIFIED

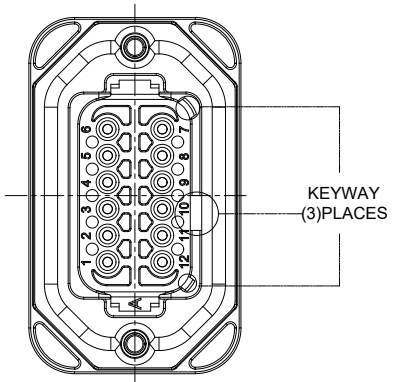
- MATERIAL:
HOUSING: THERMOPLASTIC
SEAL: SILICONE RUBBER
CONTACT: COPPER ALLOY
- MODIFICATIONS: FLANGE, PCB MOUNT STRAIGHT
- SPECIFICATIONS:
3.1 CURRENT RATING: 13 AMPS
3.2 OPERATING TEMPERATURE: -55°C TO +125°C
3.3 DIELECTRIC WITHSTANDING VOLTAGE: LESS THAN 2 MILLIAMPS CURRENT LEAKAGE @ 1500 VOLTS AC.
3.4 INSULATION RESISTANCE: 1000 MEGOHMS MIN @ 25°C.
3.5 MOISTURE RESISTANCE: IP67 (MATED CONDITION)
3.6 MATING CYCLE DURABILITY: 100 CYCLES
3.7 RoHS COMPLIANT
- MATING PART: AT06-12S* PLUG
(* = MODIFICATIONS)
- ALL DIMENSIONS ARE FOR REFERENCE USE ONLY.

AT15-12PX-BM1X		REF : DT15-12PA-B016, DT15-12PB-B016 , DT15-12PC-B016 , DT15-12PD-B016		ITEM
PART NUMBER		DESCRIPTION		ITEM
QUANTITY				
MATERIALS LIST				
UNLESS OTHERWISE SPECIFIED		SIGNATURES		DATE
1) All dimensions are in metric (mm).		DRAWN: BROOK DING		19/AUG/19
2) Tolerances are as follows:		CHECKED: ORION LI		19/AUG/19
1 PL DEC ±0.30		ENGINEER:		
2 PL DEC ±0.15		APPROVAL: TOMMY XIE		19/AUG/19
3 PL DEC ±0.08		CUSTOMER:		
3) Note reference =		THIS DRAWING IS SUPPLIED FOR INFORMATION ONLY. DESIGN FEATURES, SPECIFICATIONS AND PERFORMANCE DATA SHOWN HEREON ARE THE PROPERTY OF THE AMPHENOL CORPORATION. NO RIGHTS OF REPRODUCTION ARE IMPLIED. ALL DIMENSIONS ARE SUBJECT TO NORMAL MANUFACTURING VARIATIONS.		
MATERIAL SPECIFICATIONS:		CUSTOMER:		
PROCESS SPECIFICATIONS:		SIZE		REVISION
NEXT ASSY:		B C-		A2
		DWG NO. AT15-12PX-BM1X		
		SCALE: NONE		SHEET 1 OF 3

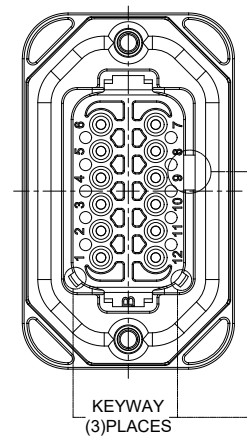
TITLE: BOARDLOCK PCB MOUNT RECEPTACLE 12PIN ENHANCED KEY STRAIGHT AT SERIES
DWG NO.: AT15-12PX-BM1X
REV: A2
SH: 1
OF: 3

REVISIONS					
REV	ECO	DESCRIPTION	DATE	BY	APPR
A1	--	RELEASE NEW DRAWING	14/DEC/18	BROOK	TOMMY
A2	C1105S	UPDATE DRAWING	19/AUG/19	BROOK	TOMMY

P/N AT15-12PA-BM1X
KEY-A CONFIGURATION
STANDARD COLOR: GREY



P/N AT15-12PB-BM1X
KEY-B CONFIGURATION
STANDARD COLOR: BLACK



AT15-12PA-BM1X VARIANTS		
CONTACT PLATING	POTTING OR NOT IN RESERVOIR	PART NUMBER
TIN	NO POTTING	AT15-12PA-BM16
TIN	POTTING	AT15-12PA-BM17
GOLD	NO POTTING	AT15-12PA-BM18
GOLD	POTTING	AT15-12PA-BM19

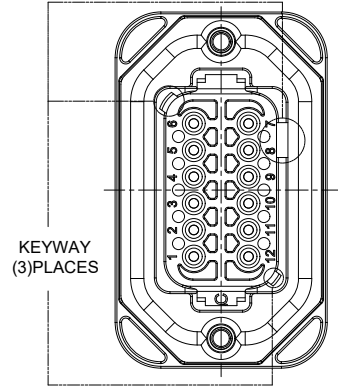
AT15-12PB-BM1X VARIANTS		
CONTACT PLATING	POTTING OR NOT IN RESERVOIR	PART NUMBER
TIN	NO POTTING	AT15-12PB-BM16
TIN	POTTING	AT15-12PB-BM17
GOLD	NO POTTING	AT15-12PB-BM18
GOLD	POTTING	AT15-12PB-BM19

AT15-12PX-BM1X		REF : DT15-12PA-B016, DT15-12PB-B016 , DT15-12PC-B016 , DT15-12PD-B016																																							
PART NUMBER		DESCRIPTION		ITEM																																					
<table border="1"> <thead> <tr> <th>QUANTITY</th> <th colspan="4">MATERIALS LIST</th> </tr> </thead> <tbody> <tr> <td rowspan="3"> <small>UNLESS OTHERWISE SPECIFIED</small> 1) All dimensions are in metric(mm). 2) Tolerances are as follows: 1 PL DEC ±0.30 Fractions ±1/64 2 PL DEC ±0.15 Angles ±1° 3 PL DEC ±0.08 3) Note reference = </td> <td colspan="2">SIGNATURES</td> <td colspan="2">DATE</td> </tr> <tr> <td colspan="2">DRAWN: BROOK DING</td> <td colspan="2">19/AUG/19</td> </tr> <tr> <td colspan="2">CHECKED: ORION LI</td> <td colspan="2">19/AUG/19</td> </tr> <tr> <td colspan="2">APPROVAL: TOMMY XIE</td> <td colspan="2">19/AUG/19</td> <td rowspan="3"> <h2 style="text-align: center;">Amphenol</h2> <p style="text-align: center;">Sine Systems - www.amphenol-sine.com 44724 Morley Drive Clinton Township, MI 48036</p> </td> </tr> <tr> <td colspan="2">MATERIAL SPECIFICATIONS:</td> <td colspan="2">CUSTOMER:</td> </tr> <tr> <td colspan="2">PROCESS SPECIFICATIONS:</td> <td colspan="2"> <small>THIS DRAWING IS SUPPLIED FOR INFORMATION ONLY. DESIGN FEATURES, SPECIFICATIONS AND PERFORMANCE DATA SHOWN HEREON ARE THE PROPERTY OF THE AMPHENOL CORPORATION. NO RIGHTS OF REPRODUCTION ARE IMPLIED. ALL DIMENSIONS ARE SUBJECT TO NORMAL MANUFACTURING VARIATIONS.</small> </td> </tr> <tr> <td>NEXT ASSY:</td> <td colspan="2">SCALE: NONE</td> <td>SIZE: B C-</td> <td>DWG NO: AT15-12PX-BM1X</td> <td>REVISION: A2</td> </tr> </tbody> </table>					QUANTITY	MATERIALS LIST				<small>UNLESS OTHERWISE SPECIFIED</small> 1) All dimensions are in metric(mm). 2) Tolerances are as follows: 1 PL DEC ±0.30 Fractions ±1/64 2 PL DEC ±0.15 Angles ±1° 3 PL DEC ±0.08 3) Note reference =	SIGNATURES		DATE		DRAWN: BROOK DING		19/AUG/19		CHECKED: ORION LI		19/AUG/19		APPROVAL: TOMMY XIE		19/AUG/19		<h2 style="text-align: center;">Amphenol</h2> <p style="text-align: center;">Sine Systems - www.amphenol-sine.com 44724 Morley Drive Clinton Township, MI 48036</p>	MATERIAL SPECIFICATIONS:		CUSTOMER:		PROCESS SPECIFICATIONS:		<small>THIS DRAWING IS SUPPLIED FOR INFORMATION ONLY. DESIGN FEATURES, SPECIFICATIONS AND PERFORMANCE DATA SHOWN HEREON ARE THE PROPERTY OF THE AMPHENOL CORPORATION. NO RIGHTS OF REPRODUCTION ARE IMPLIED. ALL DIMENSIONS ARE SUBJECT TO NORMAL MANUFACTURING VARIATIONS.</small>		NEXT ASSY:	SCALE: NONE		SIZE: B C-	DWG NO: AT15-12PX-BM1X	REVISION: A2
QUANTITY	MATERIALS LIST																																								
<small>UNLESS OTHERWISE SPECIFIED</small> 1) All dimensions are in metric(mm). 2) Tolerances are as follows: 1 PL DEC ±0.30 Fractions ±1/64 2 PL DEC ±0.15 Angles ±1° 3 PL DEC ±0.08 3) Note reference =	SIGNATURES		DATE																																						
	DRAWN: BROOK DING		19/AUG/19																																						
	CHECKED: ORION LI		19/AUG/19																																						
APPROVAL: TOMMY XIE		19/AUG/19		<h2 style="text-align: center;">Amphenol</h2> <p style="text-align: center;">Sine Systems - www.amphenol-sine.com 44724 Morley Drive Clinton Township, MI 48036</p>																																					
MATERIAL SPECIFICATIONS:		CUSTOMER:																																							
PROCESS SPECIFICATIONS:		<small>THIS DRAWING IS SUPPLIED FOR INFORMATION ONLY. DESIGN FEATURES, SPECIFICATIONS AND PERFORMANCE DATA SHOWN HEREON ARE THE PROPERTY OF THE AMPHENOL CORPORATION. NO RIGHTS OF REPRODUCTION ARE IMPLIED. ALL DIMENSIONS ARE SUBJECT TO NORMAL MANUFACTURING VARIATIONS.</small>																																							
NEXT ASSY:	SCALE: NONE		SIZE: B C-	DWG NO: AT15-12PX-BM1X	REVISION: A2																																				
			BOARDLOCK PCB MOUNT RECEPTACLE 12PIN ENHANCED KEY, STRAIGHT AT SERIES																																						
			SCALE: NONE	SHEET 2 OF 3																																					

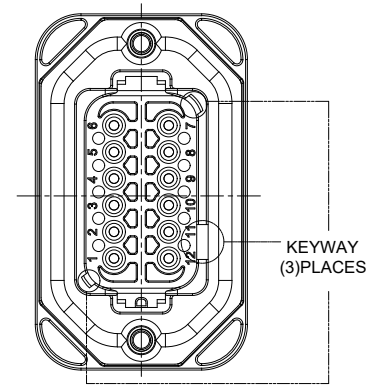
TITLE: BOARDLOCK PCB MOUNT RECEPTACLE 12PIN ENHANCED KEY STRAIGHT AT SERIES
DWG NO: AT15-12PX-BM1X
REV: A2
SH: 2
OF: 3

REVISIONS					
REV	ECO	DESCRIPTION	DATE	BY	APPR
A1	--	RELEASE NEW DRAWING	14/DEC/18	BROOK	TOMMY
A2	C1105S	UPDATE DRAWING	19/AUG/19	BROOK	TOMMY

P/N AT15-12PC-BM1X
KEY-C CONFIGURATION
STANDARD COLOR: GREEN

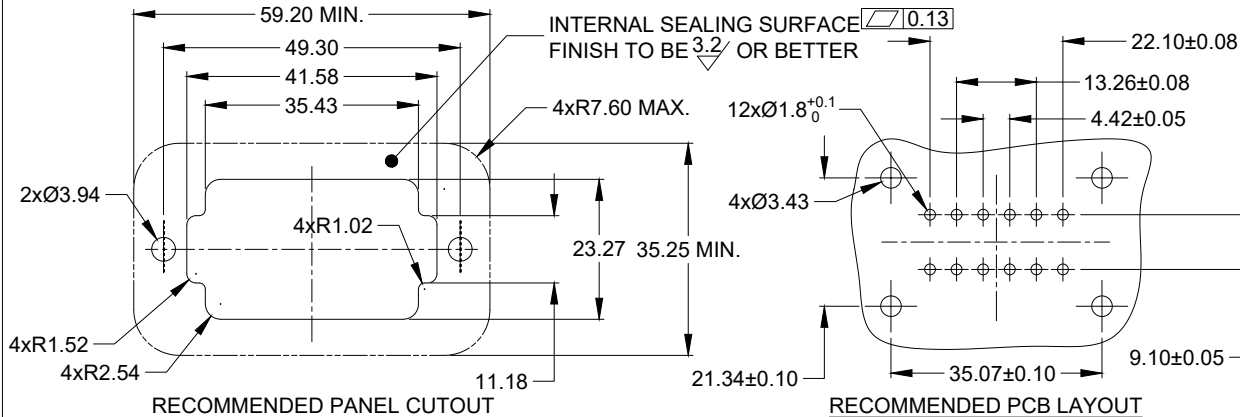


P/N AT15-12PD-BM1X
KEY-D CONFIGURATION
STANDARD COLOR: BROWN



AT15-12PC-BM1X VARIANTS		
CONTACT PLATING	POTTING OR NOT IN RESERVOIR	PART NUMBER
TIN	NO POTTING	AT15-12PC-BM16
TIN	POTTING	AT15-12PC-BM17
GOLD	NO POTTING	AT15-12PC-BM18
GOLD	POTTING	AT15-12PC-BM19

AT15-12PD-BM1X VARIANTS		
CONTACT PLATING	POTTING OR NOT IN RESERVOIR	PART NUMBER
TIN	NO POTTING	AT15-12PD-BM16
TIN	POTTING	AT15-12PD-BM17
GOLD	NO POTTING	AT15-12PD-BM18
GOLD	POTTING	AT15-12PD-BM19



AT15-12PX-BM1X		REF : DT15-12PA-B016, DT15-12PB-B016, DT15-12PC-B016, DT15-12PD-B016		ITEM																																
PART NUMBER		DESCRIPTION		ITEM																																
<table border="1"> <thead> <tr> <th>QUANTITY</th> <th colspan="3">MATERIALS LIST</th> </tr> <tr> <th>UNLESS OTHERWISE SPECIFIED</th> <th>SIGNATURES</th> <th>DATE</th> <th></th> </tr> </thead> <tbody> <tr> <td>1) All dimensions are in metric (mm).</td> <td>DRAWN: BROOK DING</td> <td>19/AUG/19</td> <td></td> </tr> <tr> <td>2) Tolerances are as follows:</td> <td>CHECKED: ORION LI</td> <td>19/AUG/19</td> <td></td> </tr> <tr> <td>1 PL DEC ±0.30</td> <td>ENGINEER:</td> <td></td> <td></td> </tr> <tr> <td>2 PL DEC ±0.15</td> <td>APPROVAL: TOMMY XIE</td> <td>19/AUG/19</td> <td></td> </tr> <tr> <td>3 PL DEC ±0.08</td> <td>CUSTOMER:</td> <td></td> <td></td> </tr> <tr> <td>3) Note reference = </td> <td colspan="3">THIS DRAWING IS SUPPLIED FOR INFORMATION ONLY. DESIGN FEATURES, SPECIFICATIONS AND PERFORMANCE DATA SHOWN HEREON ARE THE PROPERTY OF THE AMPHENOL CORPORATION. NO RIGHTS OF REPRODUCTION ARE IMPLIED. ALL DIMENSIONS ARE SUBJECT TO NORMAL MANUFACTURING VARIATIONS.</td> </tr> </tbody> </table>					QUANTITY	MATERIALS LIST			UNLESS OTHERWISE SPECIFIED	SIGNATURES	DATE		1) All dimensions are in metric (mm).	DRAWN: BROOK DING	19/AUG/19		2) Tolerances are as follows:	CHECKED: ORION LI	19/AUG/19		1 PL DEC ±0.30	ENGINEER:			2 PL DEC ±0.15	APPROVAL: TOMMY XIE	19/AUG/19		3 PL DEC ±0.08	CUSTOMER:			3) Note reference =	THIS DRAWING IS SUPPLIED FOR INFORMATION ONLY. DESIGN FEATURES, SPECIFICATIONS AND PERFORMANCE DATA SHOWN HEREON ARE THE PROPERTY OF THE AMPHENOL CORPORATION. NO RIGHTS OF REPRODUCTION ARE IMPLIED. ALL DIMENSIONS ARE SUBJECT TO NORMAL MANUFACTURING VARIATIONS.		
QUANTITY	MATERIALS LIST																																			
UNLESS OTHERWISE SPECIFIED	SIGNATURES	DATE																																		
1) All dimensions are in metric (mm).	DRAWN: BROOK DING	19/AUG/19																																		
2) Tolerances are as follows:	CHECKED: ORION LI	19/AUG/19																																		
1 PL DEC ±0.30	ENGINEER:																																			
2 PL DEC ±0.15	APPROVAL: TOMMY XIE	19/AUG/19																																		
3 PL DEC ±0.08	CUSTOMER:																																			
3) Note reference =	THIS DRAWING IS SUPPLIED FOR INFORMATION ONLY. DESIGN FEATURES, SPECIFICATIONS AND PERFORMANCE DATA SHOWN HEREON ARE THE PROPERTY OF THE AMPHENOL CORPORATION. NO RIGHTS OF REPRODUCTION ARE IMPLIED. ALL DIMENSIONS ARE SUBJECT TO NORMAL MANUFACTURING VARIATIONS.																																			
<p style="text-align: center;">Amphenol</p> <p style="text-align: center;">Sine Systems - www.amphenol-sine.com 44724 Morley Drive Clinton Township, MI 48036</p>				REVISION																																
BOARDLOCK PCB MOUNT RECEPTACLE 12PIN ENHANCED KEY, STRAIGHT AT SERIES																																				
SIZE	TYPE	DWG NO.	REVISION																																	
B	C-	AT15-12PX-BM1X	A2																																	
SCALE: NONE	SHEET 3 OF 3																																			

TITLE: BOARDLOCK PCB MOUNT RECEPTACLE 12PIN ENHANCED KEY STRAIGHT AT SERIES
DWG NO.: AT15-12PX-BM1X
REV: A2
SH: 3
OF: 3



Компания «ЭлектроПласт» предлагает заключение долгосрочных отношений при поставках импортных электронных компонентов на взаимовыгодных условиях!

Наши преимущества:

- Оперативные поставки широкого спектра электронных компонентов отечественного и импортного производства напрямую от производителей и с крупнейших мировых складов;
- Поставка более 17-ти миллионов наименований электронных компонентов;
- Поставка сложных, дефицитных, либо снятых с производства позиций;
- Оперативные сроки поставки под заказ (от 5 рабочих дней);
- Экспресс доставка в любую точку России;
- Техническая поддержка проекта, помощь в подборе аналогов, поставка прототипов;
- Система менеджмента качества сертифицирована по Международному стандарту ISO 9001;
- Лицензия ФСБ на осуществление работ с использованием сведений, составляющих государственную тайну;
- Поставка специализированных компонентов (Xilinx, Altera, Analog Devices, Intersil, Interpoint, Microsemi, Aeroflex, Peregrine, Syfer, Eurofarad, Texas Instrument, Miteq, Cobham, E2V, MA-COM, Hittite, Mini-Circuits, General Dynamics и др.);

Помимо этого, одним из направлений компании «ЭлектроПласт» является направление «Источники питания». Мы предлагаем Вам помощь Конструкторского отдела:

- Подбор оптимального решения, техническое обоснование при выборе компонента;
- Подбор аналогов;
- Консультации по применению компонента;
- Поставка образцов и прототипов;
- Техническая поддержка проекта;
- Защита от снятия компонента с производства.



Как с нами связаться

Телефон: 8 (812) 309 58 32 (многоканальный)

Факс: 8 (812) 320-02-42

Электронная почта: org@eplast1.ru

Адрес: 198099, г. Санкт-Петербург, ул. Калинина, дом 2, корпус 4, литера А.