



# Low-Voltage, 60Ω, 4:1 Analog Multiplexer in QFN

MAX4704

## General Description

The MAX4704 low-voltage, 4-channel analog multiplexer operates from a single +1.8V to +5.5V supply. The MAX4704 features break-before-make switching action with a  $t_{ON} = 60\text{ns}$  and  $t_{OFF} = 20\text{ns}$  at +3V.

When powered from a +2.7V supply, the device has a 60Ω (max) on-resistance ( $R_{ON}$ ), with 3Ω (max)  $R_{ON}$  matching and 5Ω max  $R_{ON}$  flatness. The digital logic inputs are 1.8V-logic compatible from a +2.7V to +3.3V supply. The MAX4704 is available in both a space-saving 12-pin QFN (3mm x 3mm) package and a 10-pin  $\mu\text{MAX}$  package.

## Applications

MP3 Players  
Battery-Operated Equipment  
Relay Replacement  
Audio and Video Signal Routing  
Low-Voltage Data-Acquisition Systems  
Communications Circuits  
PCMCIA Cards  
Cellular Phones  
Modems

## Features

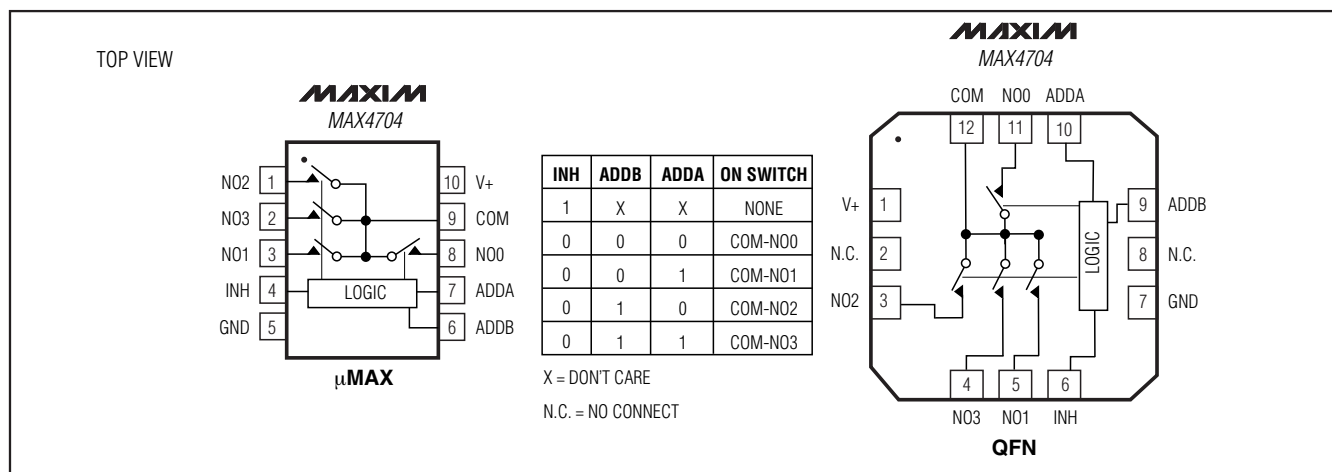
- ◆ 3mm x 3mm 12-Pin QFN Package
- ◆ Guaranteed On-Resistance:  
60Ω (max) (+2.7V Supply)  
40Ω (max) (+5V Supply)
- ◆ Guaranteed Match Between Channels: 3Ω (max)
- ◆ Guaranteed Flatness Over Signal Range:  
5Ω (max)
- ◆ Guaranteed Low Leakage Currents:  
100pA (max) at +25°C
- ◆ Switching Time:  $t_{ON} = 60\text{ns}$ ,  $t_{OFF} = 20\text{ns}$
- ◆ +1.8V to +5.5V Single-Supply Operation
- ◆ Rail-to-Rail Signal Handling
- ◆ -3dB Bandwidth: >200MHz
- ◆ Low Crosstalk: -90dB (1MHz)
- ◆ High Off-Isolation: -85dB (1MHz)
- ◆ Low 3pC Charge Injection
- ◆ THD: 0.02%
- ◆ +1.8V CMOS-Logic Compatible

## Ordering Information

| PART       | TEMP. RANGE    | PIN-PACKAGE        |
|------------|----------------|--------------------|
| MAX4704EGC | -40°C to +85°C | 12 QFN-EP*         |
| MAX4704EUB | -40°C to +85°C | 10 $\mu\text{MAX}$ |

\*EP = Exposed Pad

## Pin Configurations



# Low-Voltage, 60Ω, 4:1 Analog Multiplexer in QFN

## ABSOLUTE MAXIMUM RATINGS

(Voltages Referenced to GND)

|  |                      |
|--|----------------------|
| V+ .....   | -0.3V to +6V         |
| All Other Pins (Note 1).....                               | -0.3V to (V+ + 0.3V) |
| Continuous Current COM, NO_ .....                          | ±20mA                |
| Peak Current COM, NO_ (pulsed at 1ms, 10% duty cycle)..... | ±40mA                |
| ESD per Method 3015.7.....                                 | >2kV                 |

Continuous Power Dissipation (T<sub>A</sub> = +70°C)

|   |                 |
|---|-----------------|
| 10-Pin μMAX (derate 4.7mW/°C above +70°C) ..... | 330mW           |
| 12-Pin QFN (derate 11.9mW/°C above +70°C) ..... | 952mW           |
| Operating Temperature Range .....               | -40°C to +85°C  |
| Storage Temperature Range .....                 | -65°C to +150°C |
| Lead Temperature (soldering, 10s) .....         | +300°C          |

**Note 1:** Signals on INH, ADD\_, NO\_, and COM exceeding V+ or GND are clamped by internal diodes. Limit forward-diode current to maximum current rating.

Stresses beyond those listed under "Absolute Maximum Ratings" may cause permanent damage to the device. These are stress ratings only, and functional operation of the device at these or any other conditions beyond those indicated in the operational sections of the specifications is not implied. Exposure to absolute maximum rating conditions for extended periods may affect device reliability.

## ELECTRICAL CHARACTERISTICS—Single +3V Supply

(V+ = +2.7V to +3.3V, V<sub>IH</sub> = +1.4V, V<sub>IL</sub> = +0.5V, T<sub>A</sub> = -40°C to +85°C, unless otherwise noted. Typical values are at V+ = +3V and T<sub>A</sub> = +25°C.) (Notes 2, 3)

| PARAMETER                                     | SYMBOL                              | CONDITIONS   | T <sub>A</sub>                       | MIN  | TYP   | MAX | UNITS |
|---|-------------------------------------|--|--------------------------------------|------|-------|-----|-------|
| <b>ANALOG SWITCH</b>                          |                                     |  |                                      |      |       |     |       |
| Analog Signal Range                           | V <sub>COM</sub> , V <sub>NO_</sub> |  |                                      | 0    |       | V+  | V     |
| On-Resistance                                 | R <sub>ON</sub>                     | V+ = +2.7V, I <sub>COM</sub> = 5mA, V <sub>NO_</sub> = +1.3V                         | +25°C                                |      | 50    | 60  | Ω     |
|   |                                     |  | T <sub>MIN</sub> to T <sub>MAX</sub> |      |       | 70  |       |
| On-Resistance Match Between Channels (Note 4) | ΔR <sub>ON</sub>                    | V+ = +2.7V, I <sub>COM</sub> = 5mA, V <sub>NO_</sub> = +1.3V                         | +25°C                                |      | 1     | 3   | Ω     |
|   |                                     |  | T <sub>MIN</sub> to T <sub>MAX</sub> |      |       | 5   |       |
| On-Resistance Flatness (Note 5)               | R <sub>FLAT (ON)</sub>              | V+ = +2.7V, I <sub>COM</sub> = 5mA, V <sub>NO_</sub> = +1V, +1.3V, +1.8V             | +25°C                                |      | 3     | 5   | Ω     |
|   |                                     |  | T <sub>MIN</sub> to T <sub>MAX</sub> |      |       | 10  |       |
| NO_ Off-Leakage Current (Note 6)              | I <sub>NO_(OFF)</sub>               | V+ = +3.3V, V <sub>COM</sub> = +0.3V, +3V V <sub>NO_</sub> = +3V, +0.3V              | +25°C                                | -0.1 | ±0.01 | 0.1 | nA    |
|   |                                     |  | T <sub>MIN</sub> to T <sub>MAX</sub> | -1   |       | 1   |       |
| COM On-Leakage Current (Note 6)               | I <sub>COM(ON)</sub>                | V+ = +3.3V, V <sub>COM</sub> = +0.3V, +3V V <sub>NO_</sub> = +0.3V, +3V, or floating | +25°C                                | -0.5 | ±0.01 | 0.5 | nA    |
|   |                                     |  | T <sub>MIN</sub> to T <sub>MAX</sub> | -5   |       | 5   |       |
| COM Off-Leakage Current (Note 6)              | I <sub>COM(OFF)</sub>               | V+ = +3.3V, V <sub>COM</sub> = +0.3V, +3V V <sub>NO_</sub> = +3V, +0.3V              | +25°C                                | -0.5 | ±0.01 | 0.5 | nA    |
|   |                                     |  | T <sub>MIN</sub> to T <sub>MAX</sub> | -5   |       | 5   |       |
| <b>DYNAMIC</b>                                |                                     |  |                                      |      |       |     |       |
| Address Transition Time                       | t <sub>TRANS</sub>                  | V <sub>NO_</sub> = +1.5V, R <sub>L</sub> = 300Ω, C <sub>L</sub> = 35pF, Figure 2     | +25°C                                |      | 20    | 60  | ns    |
|   |                                     |  | T <sub>MIN</sub> to T <sub>MAX</sub> |      |       | 70  |       |
| Inhibit Turn-On Time                          | t <sub>ON</sub>                     | V <sub>NO_</sub> = +1.5V, R <sub>L</sub> = 300Ω, C <sub>L</sub> = 35pF, Figure 3     | +25°C                                |      | 25    | 60  | ns    |
|   |                                     |  | T <sub>MIN</sub> to T <sub>MAX</sub> |      |       | 70  |       |
| Inhibit Turn-Off Time                         | t <sub>OFF</sub>                    | V <sub>NO_</sub> = +1.5V, R <sub>L</sub> = 300Ω, C <sub>L</sub> = 35pF, Figure 3     | +25°C                                |      | 10    | 20  | ns    |
|   |                                     |  | T <sub>MIN</sub> to T <sub>MAX</sub> |      |       | 30  |       |
| Break-Before-Make Time (Note 7)               | t <sub>BBM</sub>                    | V <sub>NO_</sub> = +1.5V, R <sub>L</sub> = 300Ω, C <sub>L</sub> = 35pF, Figure 4     | +25°C                                |      | 20    |     | ns    |
|   |                                     |  | T <sub>MIN</sub> to T <sub>MAX</sub> | 2    |       |     |       |
| Charge Injection                              | Q                                   | V <sub>GEN</sub> = 0, R <sub>GEN</sub> = 0, C <sub>L</sub> = 1.0nF, Figure 5         |                                      |      | 2     |     | pC    |

# Low-Voltage, 60Ω, 4:1 Analog Multiplexer in QFN

MAX4704

## ELECTRICAL CHARACTERISTICS—Single +3V Supply (continued)

(V+ = +2.7V to +3.3V, V<sub>IH</sub> = +1.4V, V<sub>IL</sub> = +0.5V, T<sub>A</sub> = -40°C to +85°C, unless otherwise noted. Typical values are at V+ = +3V and T<sub>A</sub> = +25°C.) (Notes 2, 3)

| PARAMETER                 | SYMBOL                            | CONDITIONS   | T <sub>A</sub> | MIN | TYP  | MAX | UNITS |
|---------------------------|-----------------------------------|--|----------------|-----|------|-----|-------|
| On-Channel -3dB Bandwidth | BW                                | Signal = 0dBm, 50Ω in and out, Figure 6                        |                |     | >200 |     | MHz   |
| Off-Isolation (Note 8)    | V <sub>ISO</sub>                  | f = 1MHz, R <sub>L</sub> = 50Ω, C <sub>L</sub> = 5pF, Figure 6 |                |     | -85  |     | dB    |
| Crosstalk (Note 9)        | V <sub>CT</sub>                   | f = 1MHz, R <sub>L</sub> = 50Ω, C <sub>L</sub> = 5pF, Figure 6 |                |     | -90  |     | dB    |
| NO_ Off-Capacitance       | C <sub>NO_(OFF)</sub>             | f = 1MHz, V <sub>NO_</sub> = GND, Figure 7                     |                |     | 7    |     | pF    |
| COM On-Capacitance        | C <sub>COM(ON)</sub>              | f = 1MHz, V <sub>NO_</sub> = GND, Figure 7                     |                |     | 19   |     | pF    |
| COM Off-Capacitance       | C <sub>COM(OFF)</sub>             | f = 1MHz, V <sub>NO_</sub> = GND, Figure 7                     |                |     | 15   |     | pF    |
| <b>DIGITAL I/O</b>        |                                   |  |                |     |      |     |       |
| Input Logic High          | V <sub>IH</sub>                   |  |                | 1.4 |      |     | V     |
| Input Logic Low           | V <sub>IL</sub>                   |  |                |     |      | 0.5 | V     |
| Input Leakage Current     | I <sub>IH</sub> , I <sub>IL</sub> | ADD_, INH = 0 or V+  |                | -1  |      | 1   | μA    |
| <b>SUPPLY</b>             |                                   |  |                |     |      |     |       |
| Power-Supply Range        | V+                                |  |                | 1.8 |      | 5.5 | V     |
| Power-Supply Current      | I+                                | V+ = +5.5V, ADD_, INH = 0 or V+                                |                |     |      | 1   | μA    |

## ELECTRICAL CHARACTERISTICS—Single +5V Supply

(V+ = +4.5V to +5.5V, V<sub>IH</sub> = +2.0V, V<sub>IL</sub> = +0.8V, T<sub>A</sub> = -40°C to +85°C, unless otherwise noted. Typical values are at V+ = +5V and T<sub>A</sub> = +25°C.) (Notes 2, 3)

| PARAMETER                                     | SYMBOL                              | CONDITIONS  | T <sub>A</sub>                       | MIN  | TYP   | MAX | UNITS |
|---|-------------------------------------|---|--------------------------------------|------|-------|-----|-------|
| <b>ANALOG SWITCH</b>                          |                                     |   |                                      |      |       |     |       |
| Analog Signal Range                           | V <sub>COM</sub> , V <sub>NO_</sub> |   |                                      | 0    |       | V+  | V     |
| On-Resistance                                 | R <sub>ON</sub>                     | V+ = +4.5V, I <sub>COM</sub> = 5mA, V <sub>NO_</sub> = +3.5V                          | +25°C                                |      | 30    | 40  | Ω     |
|   |                                     |   | T <sub>MIN</sub> to T <sub>MAX</sub> |      |       | 50  |       |
| On-Resistance Match Between Channels (Note 4) | ΔR <sub>ON</sub>                    | V+ = +4.5V, I <sub>COM</sub> = 5mA, V <sub>NO_</sub> = +3.5V                          | +25°C                                |      | 1     | 2   | Ω     |
|   |                                     |   | T <sub>MIN</sub> to T <sub>MAX</sub> |      |       | 3   |       |
| On-Resistance Flatness (Note 5)               | R <sub>FLAT (ON)</sub>              | V+ = +4.5V, I <sub>COM</sub> = 5mA, V <sub>NO_</sub> = +1V, +2.25V, +3.5V             | +25°C                                |      | 3     | 5   | Ω     |
|   |                                     |   | T <sub>MIN</sub> to T <sub>MAX</sub> |      |       | 10  |       |
| NO_ Off-Leakage Current (Note 6)              | I <sub>NO_(OFF)</sub>               | V+ = +5.5V, V <sub>COM</sub> = +0.5V, +5V, V <sub>NO_</sub> = +5V, +0.5V              | +25°C                                | -0.1 | ±0.01 | 0.1 | nA    |
|   |                                     |   | T <sub>MIN</sub> to T <sub>MAX</sub> | -1   |       | 1   |       |
| COM On-Leakage Current (Note 6)               | I <sub>COM(ON)</sub>                | V+ = +5.5V, V <sub>COM</sub> = +0.5V, +5V, V <sub>NO_</sub> = +0.5V, +5V, or floating | +25°C                                | -0.5 | ±0.01 | 0.5 | nA    |
|   |                                     |   | T <sub>MIN</sub> to T <sub>MAX</sub> | -5   |       | 5   |       |

# Low-Voltage, 60Ω, 4:1 Analog Multiplexer in QFN

## ELECTRICAL CHARACTERISTICS—Single +5V Supply (continued)

(V+ = +4.5V to +5.5V, V<sub>IH</sub> = +2.0V, V<sub>IL</sub> = +0.8V, T<sub>A</sub> = -40°C to +85°C, unless otherwise noted. Typical values are at V+ = +5V and T<sub>A</sub> = +25°C.) (Notes 2, 3)

| PARAMETER                          | SYMBOL                            | CONDITIONS  | T <sub>A</sub>                       | MIN  | TYP   | MAX | UNITS |
|------------------------------------|-----------------------------------|---|--------------------------------------|------|-------|-----|-------|
| COM Off-Leakage Current            | I <sub>COM(OFF)</sub>             | V+ = +5.5V, V <sub>COM_</sub> = +0.5V, +5V<br>V <sub>NO_</sub> = +5V, +0.5V       | +25°C                                | -0.5 | ±0.01 | 0.5 | nA    |
|                                    |                                   |   | T <sub>MIN</sub> to T <sub>MAX</sub> | -5   |       | 5   |       |
| <b>DYNAMIC</b>                     |                                   |   |                                      |      |       |     |       |
| Address Transition Time            | t <sub>TRANS</sub>                | V <sub>NO_</sub> = +3V, R <sub>L</sub> = 300Ω,<br>C <sub>L</sub> = 35pF, Figure 2 | +25°C                                | 15   | 35    | ns  |       |
|                                    |                                   |   | T <sub>MIN</sub> to T <sub>MAX</sub> |      | 40    |     |       |
| Inhibit Turn-On Time               | t <sub>ON</sub>                   | V <sub>NO_</sub> = +3V, R <sub>L</sub> = 300Ω,<br>C <sub>L</sub> = 35pF, Figure 3 | +25°C                                | 18   | 35    | ns  |       |
|                                    |                                   |   | T <sub>MIN</sub> to T <sub>MAX</sub> |      | 40    |     |       |
| Inhibit Turn-Off Time              | t <sub>OFF</sub>                  | V <sub>NO_</sub> = +3V, R <sub>L</sub> = 300Ω,<br>C <sub>L</sub> = 35pF, Figure 3 | +25°C                                | 9    | 20    | ns  |       |
|                                    |                                   |   | T <sub>MIN</sub> to T <sub>MAX</sub> |      | 30    |     |       |
| Break-Before-Make Time<br>(Note 7) | t <sub>BBM</sub>                  | V <sub>NO_</sub> = +3V, R <sub>L</sub> = 300Ω,<br>C <sub>L</sub> = 35pF, Figure 4 | +25°C                                | 20   |       | ns  |       |
|                                    |                                   |   | T <sub>MIN</sub> to T <sub>MAX</sub> | 2    |       |     |       |
| Charge Injection                   | Q                                 | V <sub>GEN</sub> = 0, R <sub>GEN</sub> = 0, C <sub>L</sub> = 1.0nF,<br>Figure 5   |                                      | 3    |       | pC  |       |
| On-Channel -3dB Bandwidth          | BW                                | Signal = 0dBm, 50Ω in and out,<br>Figure 6  |                                      | >200 |       | MHz |       |
| Off-Isolation (Note 8)             | V <sub>ISO</sub>                  | f = 1MHz, R <sub>L</sub> = 50Ω, C <sub>L</sub> = 5pF,<br>Figure 6                 |                                      | -85  |       | dB  |       |
| Crosstalk (Note 9)                 | V <sub>CT</sub>                   | f = 1MHz, R <sub>L</sub> = 50Ω, C <sub>L</sub> = 5pF,<br>Figure 6                 |                                      | -90  |       | dB  |       |
| Total Harmonic Distortion          | THD                               | f = 20Hz to 20kHz, 1Vp-p, R <sub>L</sub> = 600Ω                                   |                                      | 0.02 |       | %   |       |
| <b>DIGITAL I/O</b>                 |                                   |   |                                      |      |       |     |       |
| Input Logic High                   | V <sub>IH</sub>                   |   |                                      | 2.0  |       | V   |       |
| Input Logic Low                    | V <sub>IL</sub>                   |   |                                      |      | 0.8   | V   |       |
| Input Leakage Current              | I <sub>IH</sub> , I <sub>IL</sub> | ADD <sub>-</sub> , INH = 0 or V+  |                                      | -1   | 1     | μA  |       |
| <b>SUPPLY</b>                      |                                   |   |                                      |      |       |     |       |
| Power-Supply Range                 | V+                                |   |                                      | 1.8  | 5.5   | V   |       |
| Positive Supply Current            | I+                                | V+ = +5.5V, ADD <sub>-</sub> , INH = 0 or V+                                      |                                      |      | 1     | μA  |       |

**Note 2:** The algebraic convention, where the most negative value is a minimum and the most positive value a maximum, is used in this data sheet.

**Note 3:** -40°C specifications are guaranteed by design.

**Note 4:**  $\Delta R_{ON} = R_{ON(MAX)} - R_{ON(MIN)}$ .

**Note 5:** Flatness is defined as the difference between the maximum and minimum value of on-resistance as measured over the specified analog signal ranges.

**Note 6:** Leakage currents are 100% tested at T<sub>A</sub> = +85°C. Limits across the full temperature range are guaranteed by correlation.

**Note 7:** Guaranteed by design.

**Note 8:** Off-Isolation =  $20\log_{10}(V_{COM} / V_{NO_})$ , V<sub>COM</sub> = output, V<sub>NO\_</sub> = input to off switch.

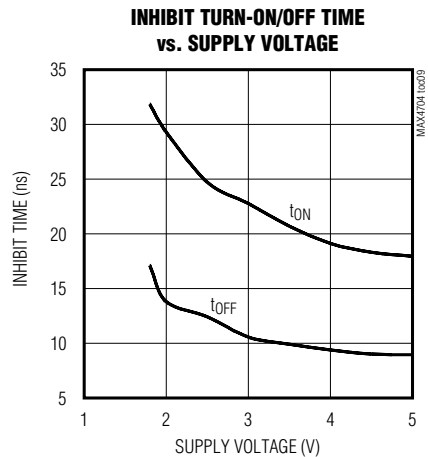
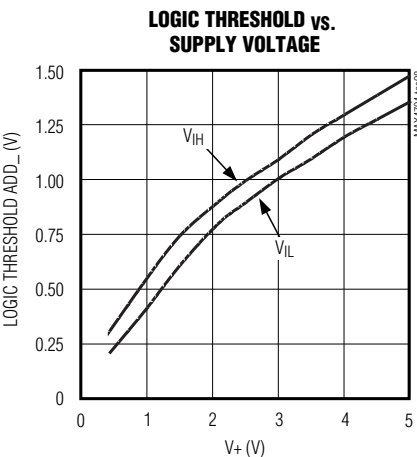
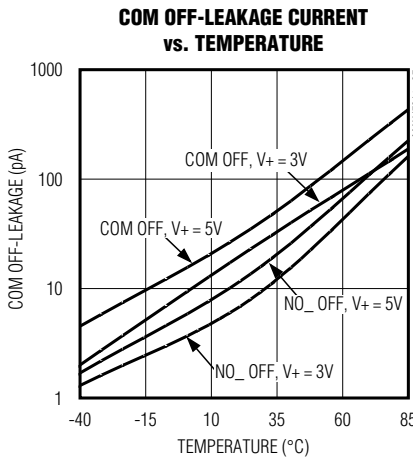
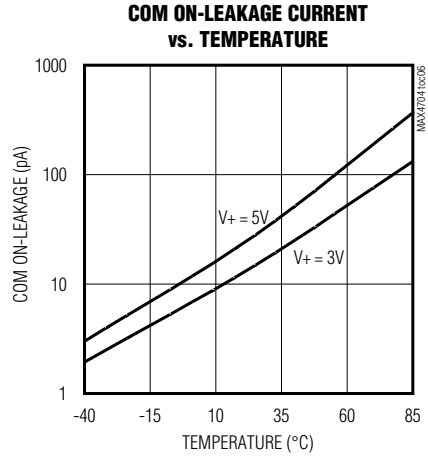
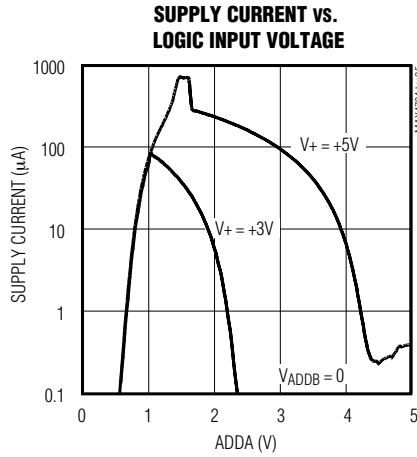
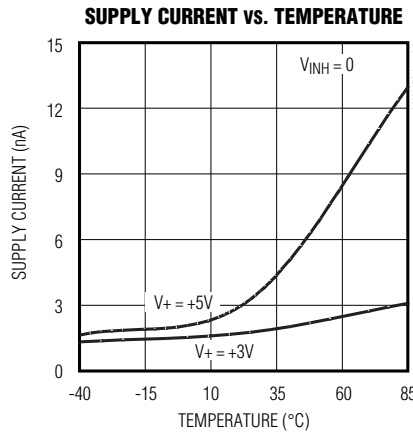
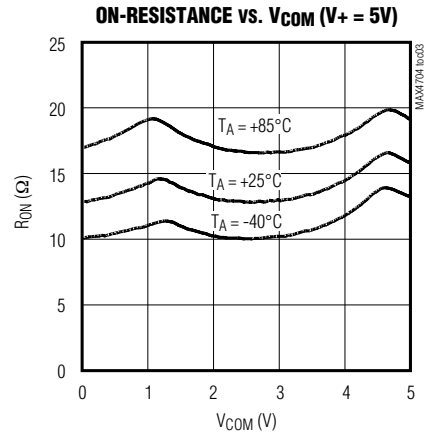
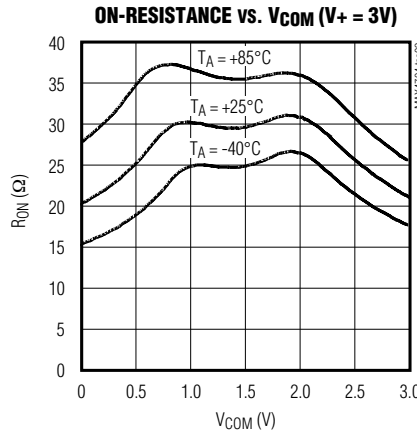
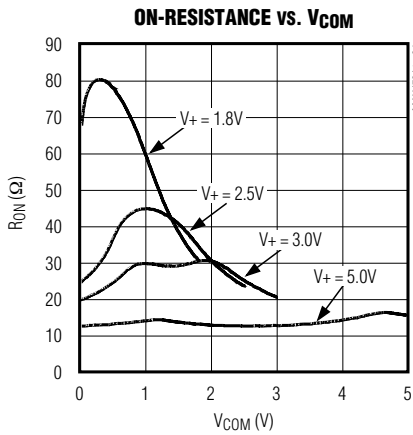
**Note 9:** Between any two switches.

# Low-Voltage, 60Ω, 4:1 Analog Multiplexer in QFN

## Typical Operating Characteristics

( $T_A = +25^\circ\text{C}$ , unless otherwise noted.)

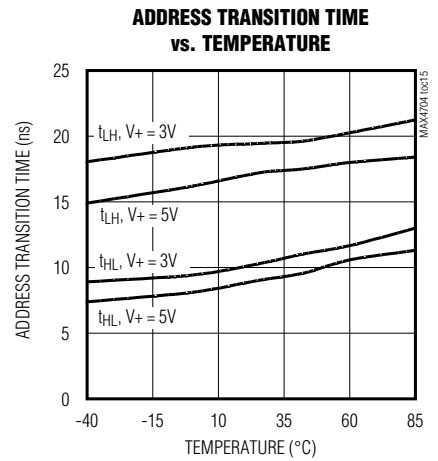
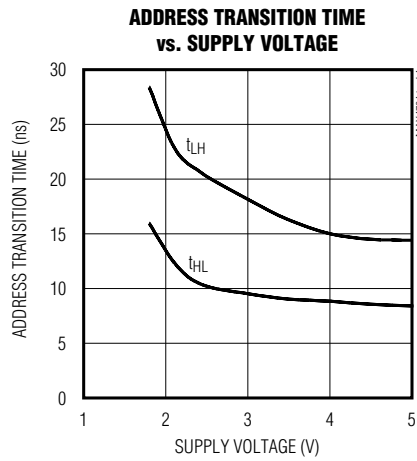
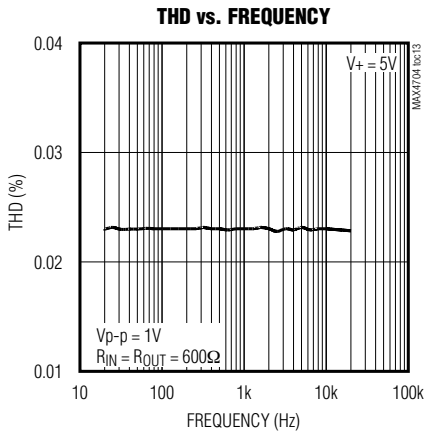
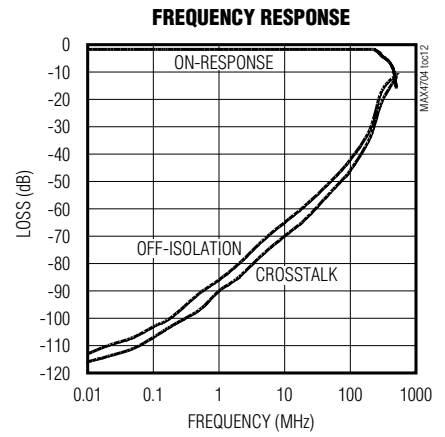
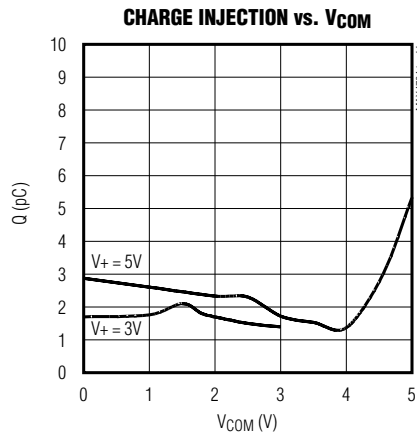
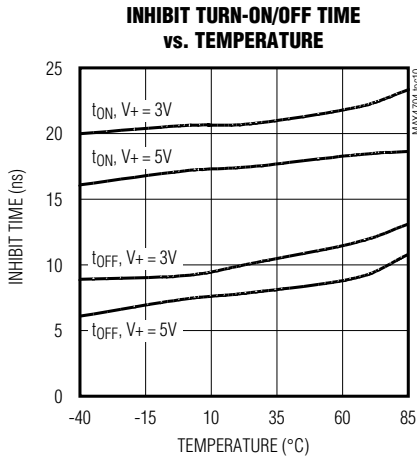
MAX4704



# Low-Voltage, 60Ω, 4:1 Analog Multiplexer in QFN

## Typical Operating Characteristics (continued)

(T<sub>A</sub> = +25°C, unless otherwise noted.)



# Low-Voltage, 60Ω, 4:1 Analog Multiplexer in QFN

MAX4704

## Pin Description

| PIN  |        | NAME | FUNCTION  |
|------|--------|------|---|
| μMAX | QFN-EP |      |   |
| 10   | 1      | V+   | Positive Supply Voltage   |
| —    | 2, 8   | N.C. | No Connection. Not internally connected.  |
| 1    | 3      | NO2  | Analog Switch 2. Normally open.   |
| 2    | 4      | NO3  | Analog Switch 3. Normally open.   |
| 3    | 5      | NO1  | Analog Switch 1. Normally open.   |
| 4    | 6      | INH  | Inhibit. Connect to GND for normal operation. Connect to logic-level high to turn all switches off.   |
| 5    | 7      | GND  | Ground  |
| 6    | 9      | ADDB | Address Decoder Selection B   |
| 7    | 10     | ADDA | Address Decoder Selection A   |
| 8    | 11     | NO0  | Analog Switch 0. Normally open.   |
| 9    | 12     | COM  | Analog Switch Common Terminal   |
| —    | —      | EP   | Exposed Pad. Internally connected to GND. Connect to a large ground plane to maximize thermal performance; not intended as an electrical connection point (QFN package only). |

## Detailed Description

The MAX4704 low-voltage, 4-channel analog multiplexer operates from a single +1.8V to +5.5V supply. When powered from a +2.7V supply, the device has a 60Ω (max) on-resistance (R<sub>ON</sub>), with 3Ω (max) R<sub>ON</sub> matching and 5Ω (max) R<sub>ON</sub> flatness. The digital logic inputs are +1.8V-logic compatible from a +2.7V to +3.3V supply.

## Applications Information

### Digital Control Inputs

The MAX4704 logic inputs are +1.8V CMOS logic compatible for 3V operation and TTL compatible for 5V operation of V+. Driving ADD\_ rail-to-rail minimizes power consumption.

### Analog Signal Levels

Analog signals that range over the entire supply voltage (V+ to GND) are passed with very little change in on-resistance (see *Typical Operating Characteristics*). The switches are bidirectional, so the NO\_ and COM pins can be either inputs or outputs.

### Power-Supply Sequencing and Overvoltage Protection

**Caution: Do not exceed the absolute maximum ratings because stresses beyond those listed may cause permanent damage to devices.**

Proper power-supply sequencing is recommended for all CMOS devices. Always apply V+ before applying analog signals, especially if the analog signal is not current limited. If this sequencing is not possible, and if the analog inputs are not current limited to <20mA, add a small-signal diode

(D1) as shown in Figure 1. If the analog signal can dip below GND, add D2. Adding protection diodes reduces the analog range to a diode drop (about 0.7V) below V+ (for D1), and a diode drop above ground (for D2). On-resistance increases slightly at low supply voltages. Maximum supply voltage (V+) must not exceed +6V.

Adding protection diode D2 causes the logic threshold to be shifted relative to GND. TTL compatibility is not guaranteed when D2 is added.

Protection diodes D1 and D2 also protect against some overvoltage situations. In the circuit in Figure 1, if the supply voltage is below the absolute maximum rating, and if a fault voltage up to the absolute maximum rating is applied to an analog signal pin, no damage will result.

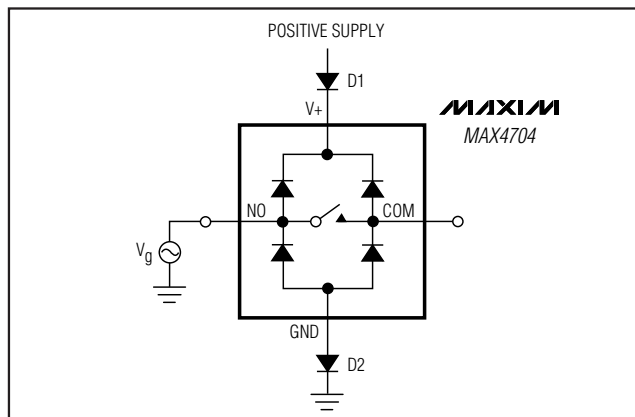


Figure 1. Overvoltage Protection Using Two External Blocking Diodes

# Low-Voltage, 60Ω, 4:1 Analog Multiplexer in QFN

## Test Circuits/Timing Diagrams

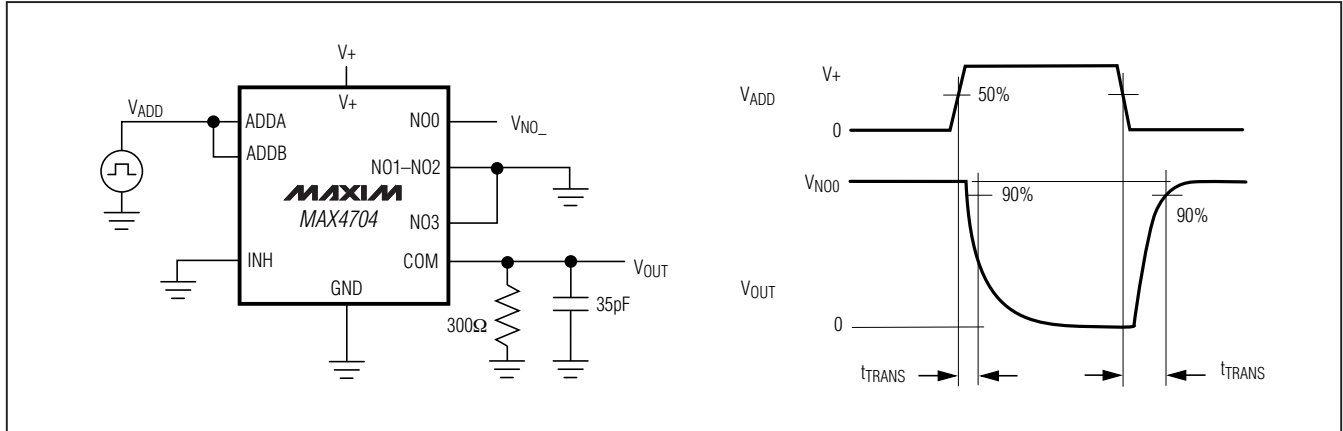


Figure 2. Address Transition Time

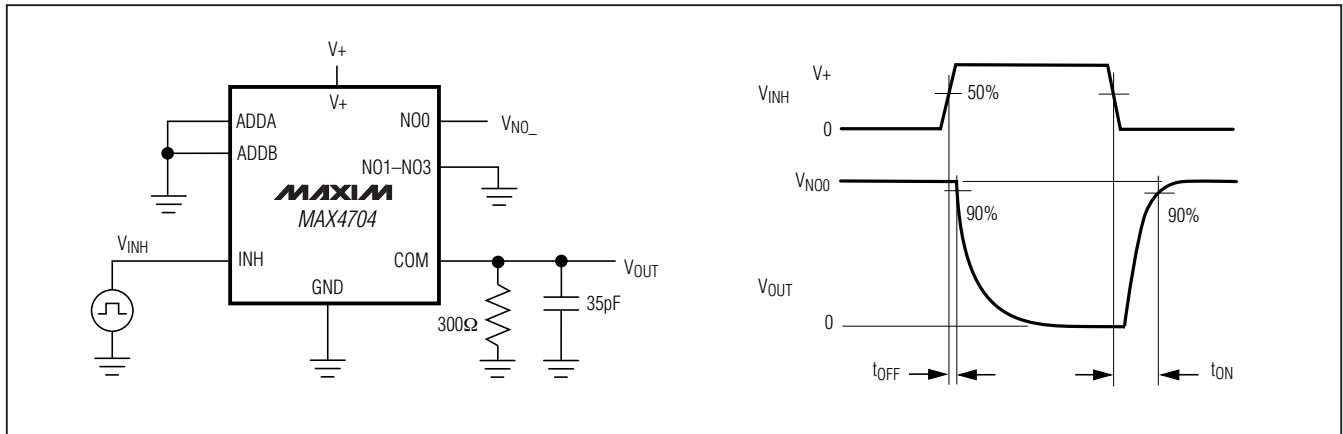


Figure 3. Inhibit Switching Times

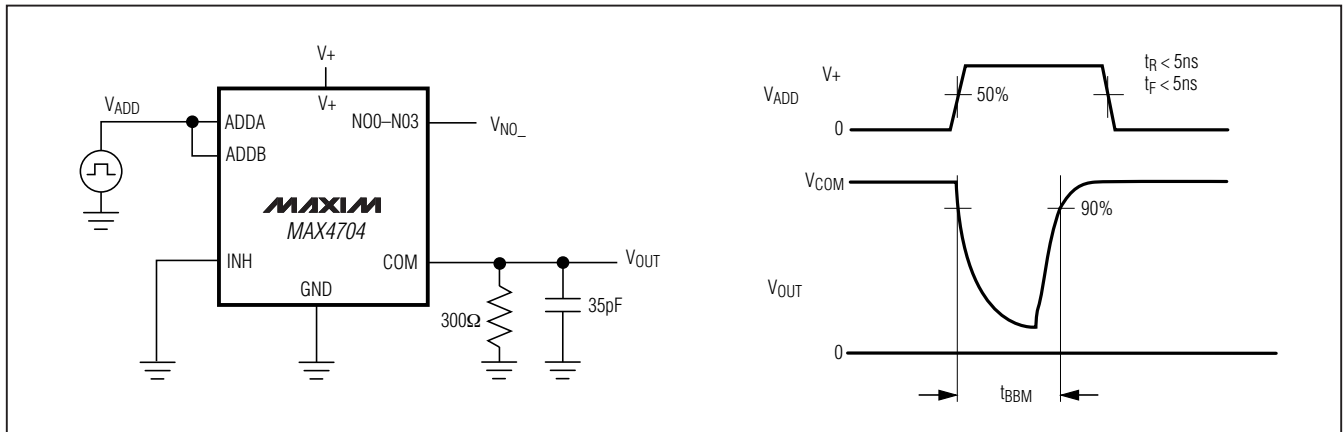


Figure 4. Break-Before-Make Interval



# Low-Voltage, 60Ω, 4:1 Analog Multiplexer in QFN

## Test Circuits/Timing Diagrams (continued)

MAX4704

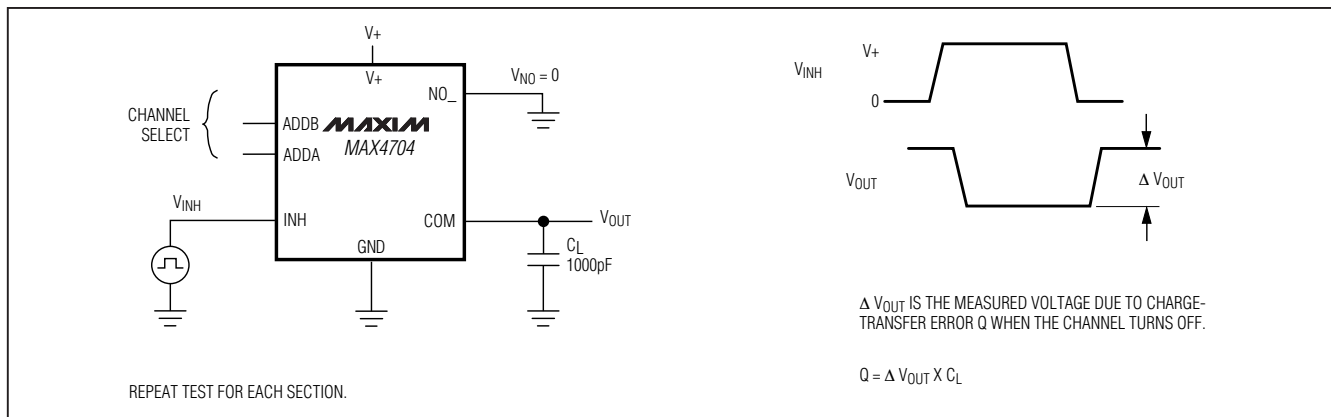


Figure 5. Charge Injection

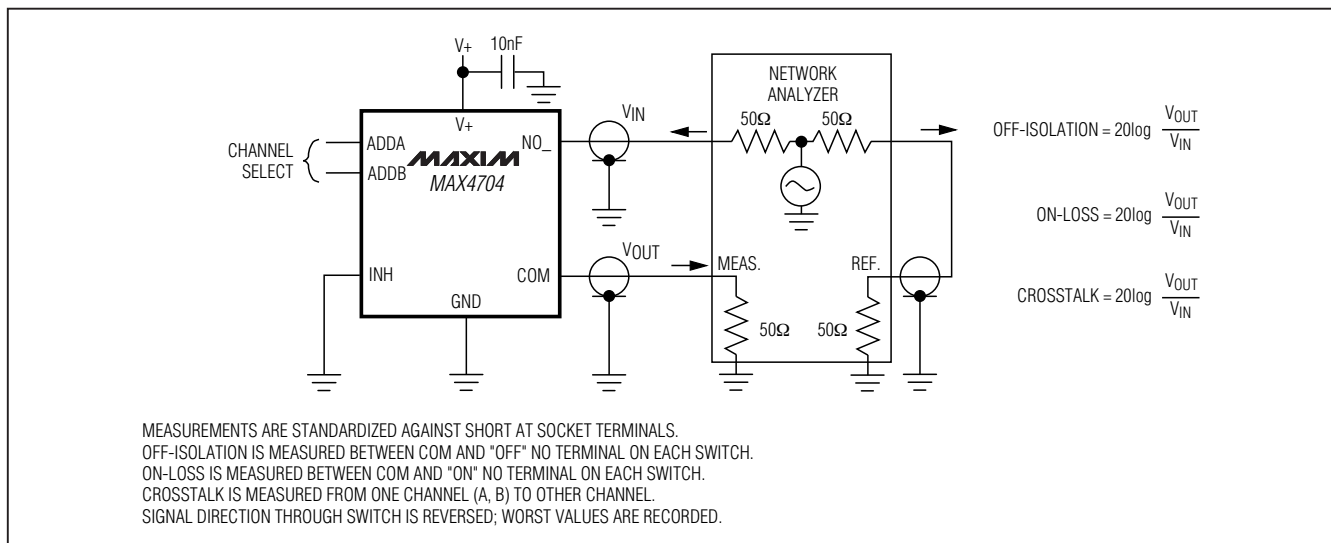


Figure 6. Off-Isolation, On-Loss, and Crosstalk

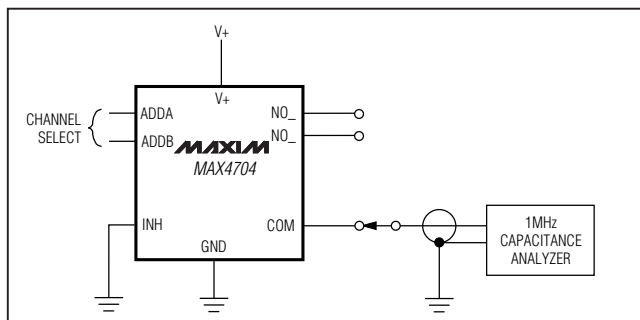


Figure 7. NO\_/COM Capacitance

## Chip Information

TRANSISTOR COUNT: 256

PROCESS: CMOS

# Low-Voltage, 60Ω, 4:1 Analog Multiplexer in QFN

## Package Information

For the latest package outline information and land patterns, go to [www.maxim-ic.com/packages](http://www.maxim-ic.com/packages).

| PACKAGE TYPE | PACKAGE CODE | DOCUMENT NO.            |
|--------------|--------------|-------------------------|
| 12 QFN-EP    | G1233-1      | <a href="#">21-0102</a> |
| 10 μMAX      | —            | <a href="#">21-0061</a> |

# Low-Voltage, 60Ω, 4:1 Analog Multiplexer in QFN

## Revision History

| REVISION NUMBER | REVISION DATE | DESCRIPTION                         | PAGES CHANGED |
|-----------------|---------------|-------------------------------------|---------------|
| 0               | 10/01         | Initial release                     | —             |
| 1               | 10/08         | Inserted exposed paddle description | 1, 7          |

**MAX4704**

Maxim cannot assume responsibility for use of any circuitry other than circuitry entirely embodied in a Maxim product. No circuit patent licenses are implied. Maxim reserves the right to change the circuitry and specifications without notice at any time.

**Maxim Integrated Products, 120 San Gabriel Drive, Sunnyvale, CA 94086 408-737-7600** \_\_\_\_\_ 11



Компания «ЭлектроПласт» предлагает заключение долгосрочных отношений при поставках импортных электронных компонентов на взаимовыгодных условиях!

Наши преимущества:

- Оперативные поставки широкого спектра электронных компонентов отечественного и импортного производства напрямую от производителей и с крупнейших мировых складов;
- Поставка более 17-ти миллионов наименований электронных компонентов;
- Поставка сложных, дефицитных, либо снятых с производства позиций;
- Оперативные сроки поставки под заказ (от 5 рабочих дней);
- Экспресс доставка в любую точку России;
- Техническая поддержка проекта, помощь в подборе аналогов, поставка прототипов;
- Система менеджмента качества сертифицирована по Международному стандарту ISO 9001;
- Лицензия ФСБ на осуществление работ с использованием сведений, составляющих государственную тайну;
- Поставка специализированных компонентов (Xilinx, Altera, Analog Devices, Intersil, Interpoint, Microsemi, Aeroflex, Peregrine, Syfer, Eurofarad, Texas Instrument, Miteq, Cobham, E2V, MA-COM, Hittite, Mini-Circuits, General Dynamics и др.);

Помимо этого, одним из направлений компании «ЭлектроПласт» является направление «Источники питания». Мы предлагаем Вам помощь Конструкторского отдела:

- Подбор оптимального решения, техническое обоснование при выборе компонента;
- Подбор аналогов;
- Консультации по применению компонента;
- Поставка образцов и прототипов;
- Техническая поддержка проекта;
- Защита от снятия компонента с производства.



#### Как с нами связаться

**Телефон:** 8 (812) 309 58 32 (многоканальный)

**Факс:** 8 (812) 320-02-42

**Электронная почта:** [org@eplast1.ru](mailto:org@eplast1.ru)

**Адрес:** 198099, г. Санкт-Петербург, ул. Калинина, дом 2, корпус 4, литера А.