

**PLEASE CHECK WWW.MOLEX.COM FOR LATEST PART INFORMATION**

**Part Number:** [0513382674](#)  
**Status:** **Active**  
**Description:** 0.40mm (.016") Pitch Board-to-Board SlimStack™ Receptacle, Surface Mount, Dual Row, Vertical Stacking, 1.50mm (.059") Stacking Height, with Space Saving J-Bend Leads, 26 Circuits, Lead-free

**Documents:**

[3D Model](#) [Product Specification PS-51338-002 \(PDF\)](#)  
[Drawing \(PDF\)](#) [RoHS Certificate of Compliance \(PDF\)](#)

**General**

Product Family PCB Receptacles  
 Series [51338](#)  
 Application Board-to-Board  
 Comments Solder Tab Plating: Tin (Sn) over Nickel  
 Product Name SlimStack™

**Physical**

Circuits (Loaded) 26  
 Circuits (maximum) 26  
 Color - Resin Black  
 Durability (mating cycles max) 30  
 Glow-Wire Compliant No  
 Lock to Mating Part Yes  
 Mated Height (in) 0.059 In  
 Mated Height (mm) 1.50 mm  
 Material - Metal Phosphor Bronze  
 Material - Plating Mating Gold  
 Material - Plating Termination Gold  
 Number of Rows 2  
 Orientation Vertical  
 PCB Locator No  
 PCB Retention None  
 Packaging Type Embossed Tape on Reel  
 Pitch - Mating Interface (in) 0.016 In  
 Pitch - Mating Interface (mm) 0.40 mm  
 Polarized to Mating Part No  
 Polarized to PCB No  
 Stackable No  
 Surface Mount Compatible (SMC) Yes  
 Temperature Range - Operating -25°C to +85°C  
 Termination Interface: Style Surface Mount

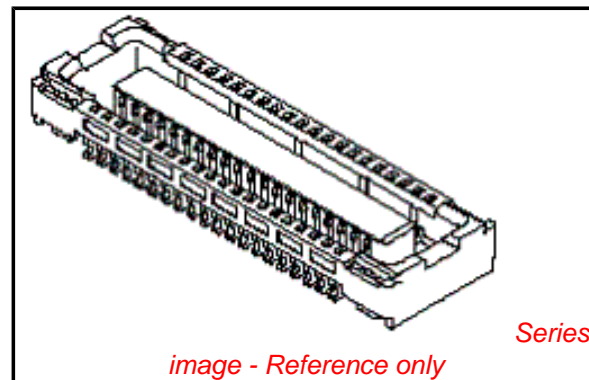
**Electrical**

Current - Maximum per Contact 0.3A  
 Voltage - Maximum 50V AC (RMS)/DC

**Material Info**

**Reference - Drawing Numbers**

Packaging Specification SPK-51338-001  
 Product Specification PS-51338-002, RPS-51338-012, RPS-51338-013, RPS-51338-015, RPS-51338-018, RPS-51338-019, RPS-51338-020, RPS-51338-021, RPS-51338-022, RPS-51338-025, RPS-51338-027, RPS-51338-030, RPS-51338-031  
 Sales Drawing SD-51338-003, SD-51338-004



**EU RoHS**

**ELV and RoHS Compliant**  
**REACH SVHC Contains SVHC: No**  
**Halogen-Free Status**  
**Not Reviewed**

**China RoHS**



**Need more information on product environmental compliance?**

Email [productcompliance@molex.com](mailto:productcompliance@molex.com)  
 For a multiple part number RoHS Certificate of Compliance, [click here](#)

Please visit the [Contact Us](#) section for any non-product compliance questions.

**Search Parts in this Series**

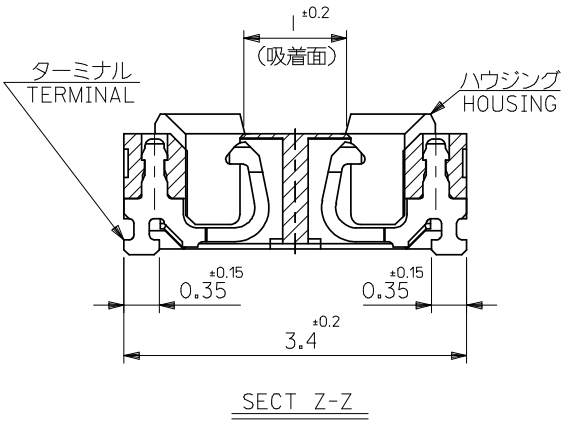
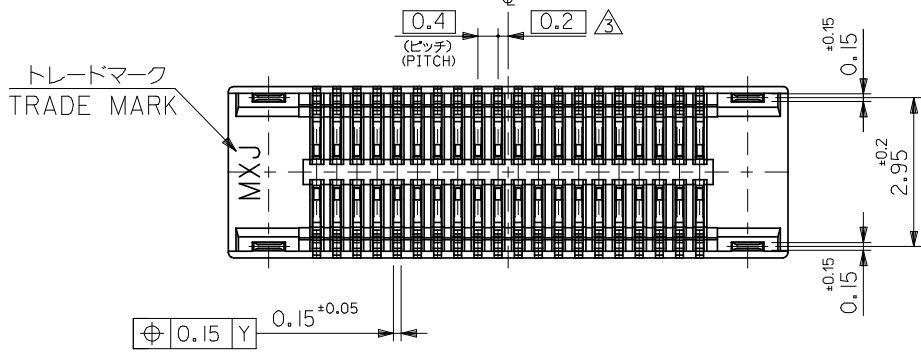
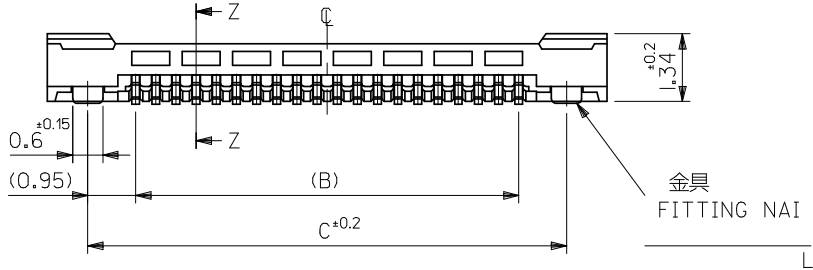
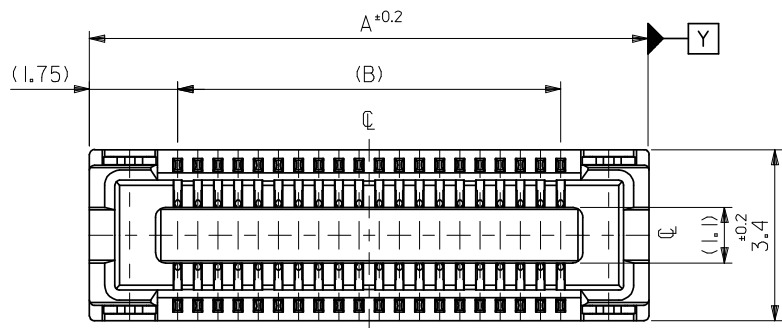
[51338Series](#)

**Mates With**

[55909 PCB Header](#)

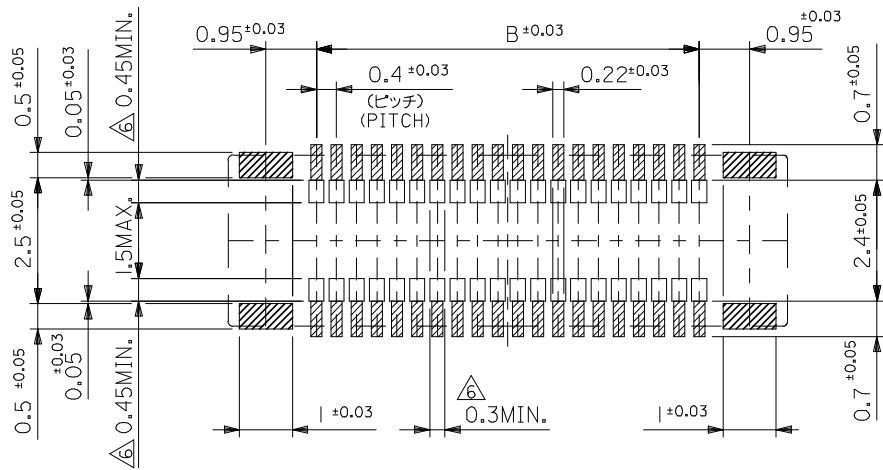
This document was generated on 04/26/2010

**PLEASE CHECK [WWW.MOLEX.COM](http://WWW.MOLEX.COM) FOR LATEST PART INFORMATION**



25.5	23.6	27.1	51338-1274	51338-1209	120
21.5	19.6	23.1	51338-1074	51338-1009	100
19.5	17.6	21.1	51338-0974	51338-0909	90
17.5	15.6	19.1	51338-0874	51338-0809	80
15.5	13.6	17.1	51338-0774	51338-0709	70
13.5	11.6	15.1	51338-0674	51338-0609	60
11.5	9.6	13.1	51338-0574	51338-0509	50
9.5	7.6	11.1	51338-0474	51338-0409	40
8.3	6.4	9.9	51338-3474	51338-0349	34
7.5	5.6	9.1	51338-0374	51338-0309	30
6.7	4.8	8.3	51338-2674	51338-0269	26
6.3	4.4	7.9	51338-2474	51338-0249	24
5.9	4.0	7.5	51338-2274	51338-0229	22
5.5	3.6	7.1	51338-0274	51338-0209	20
3.9	2.0	5.5	51338-9974	51338-0129	12
C	B	A	EMBOSSED TAPE PKG. ORDER No. オオーダー番号	MATERIAL No.	CKT.

REVISED EC NO.: J2009-0301 DRWN: MWABEI 2008/08/27 CHKD: THARUYAMA 2008/08/28 APPR: NUKITA 2008/08/28	GENERAL TOLERANCES (UNLESS SPECIFIED)		DIMENSION STYLE MM ONLY		SCALE ---	DESIGN UNITS METRIC	MODEL NO. 51338-***9
	10 UNDER	±---	DRAWN BY M. NINOMIYA	DATE 2004/03/17	TITLE 0.4 B-TO-B REC ASSY HGT=1.5 J-BEND TAIL -LEAD FREE-		
	10 OVER 30 UNDER	±---	CHECKED BY K. TOJO	DATE 2004/03/17	MATERIAL NO. SD-51338-003		
	30 OVER	±---	APPROVED BY M. SASAO	DATE 2004/03/17	SHEET NO. 1 OF 2		
REV	DESCRIPTION	ANGULAR ±---°	DRAFT WHERE APPLICABLE MUST REMAIN WITHIN DIMENSIONS		MOLEX INCORPORATED SEE TABLE THIS DRAWING CONTAINS INFORMATION THAT IS PROPRIETARY TO MOLEX INCORPORATED AND SHOULD NOT BE USED WITHOUT WRITTEN PERMISSION		



参考基板レイアウト (マウント面)  
P.C.BOARD PATTERN DIMENSION (REFERENCE)  
(MOUNTING AREA)

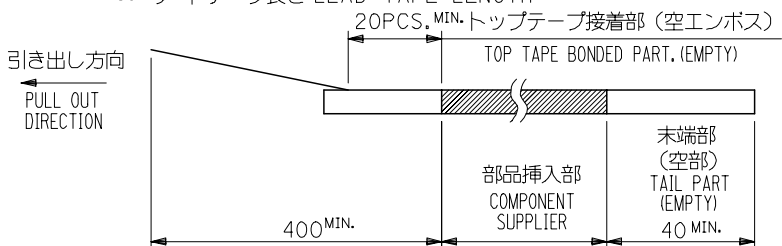
注記 NOTES:

1. 使用材料 MATERIAL  
 ハウジング: 液晶ポリマー (LCP) ガラス充填 UL94V-0 (黒)  
 HOUSING: LIQUID CRYSTAL POLYMER (GLASS FILLED)  
 UL94V-0 (COLOR: BLACK)  
 ターミナル: リン青銅 (t=0.15)  
 TERMINAL: PHOSPHOR BRONZE (t=0.15)  
 金具: リン青銅 (t=0.15)  
 FITTING NAIL: PHOSPHOR BRONZE (t=0.15)
2. メッキ仕様 PLATING  
 ターミナル TERMINAL  
 金メッキ 0.2マイクロメートル以上 (コンタクト部)  
 GOLD 0.2MICROMETER MINIMUM (CONTACT AREA)  
 金メッキ 0.4マイクロメートル以下 (テール部)  
 GOLD 0.4MICROMETER MAXIMUM (TAIL AREA)  
 下地メッキ: ニッケルメッキ 1.5マイクロメートル以上  
 UNDER PLATING: NICKEL 1.5MICROMETER MINIMUM  
 \*コンタクト部とテール部はニッケルメッキによって分断されている金メッキです。  
 DIVIDE INTO PARTS THE GOLD PLATING OF THE CONTACT AND THE TAIL PART BY THE NICKEL PLATING.  
 金具 FITTING NAIL  
 錫メッキ 1.0 マイクロメートル以上  
 TIN PLATING 1.0 MICROMETER MINIMUM  
 下地メッキ: ニッケルメッキ 1.0 マイクロメートル以上  
 UNDER PLATING: NICKEL 1.0 MICROMETER MINIMUM
3. (全極数/2) = 偶数の場合に適用。  
 APPLY FOR (CIRCUIT/2)=EVEN.
4. 嵌合相手: 55909シリーズ  
 MATE WITH: 55909 SERIES.
5. テール平坦度は、0.08以下  
 テール及び金具の平坦度は、0.1以下  
 TAIL COPLANARITY TO BE 0.08MAXIMUM  
 TAIL AND FITTING NAIL COPLANARITY TO BE 0.1MAXIMUM
6. 同一回路以外のパターン書込み禁止範囲を示す。  
 NO PRINT CIRCUIT AREA OTHER THAN THE SAME CIRCUIT.
7. 本製品は 51338-\*\*\*3 の鉛フリー品である。  
 THIS PRODUCT IS LEAD FREE OF 51338-\*\*\*3.

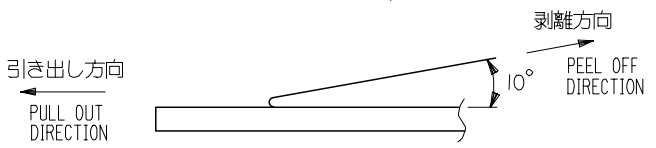
REVISED EC NO: J2009-0301 DRWN: MABEI 2008/08/27 CHKD: THARUYAMA 2008/08/28 APPR: NUKITA 2008/08/28	GENERAL TOLERANCES (UNLESS SPECIFIED)		DIMENSION STYLE MM ONLY		51338-***9		MODEL NO.	
	10 UNDER ±---		DRAWN BY DATE M. NINOMIYA 2004/03/17		SCALE ---	DESIGN UNITS METRIC	THIRD ANGLE PROJECTION	
	10 OVER 30 UNDER ±---		CHECKED BY DATE K. TOJO 2004/03/17		TITLE 0.4 B-TO-B REC ASSY HGT=1.5 J-BEND TAIL -LEAD FREE-			
	30 OVER ±---		APPROVED BY DATE M. SASAO 2004/03/17		MOLEX INCORPORATED			
ANGULAR ±---°		MATERIAL NO. SEE SHEET 1		DOCUMENT NO. SD-51338-003		SHEET NO. 2 OF 2		
DRAFT WHERE APPLICABLE MUST REMAIN WITHIN DIMENSIONS		THIS DRAWING CONTAINS INFORMATION THAT IS PROPRIETARY TO MOLEX INCORPORATED AND SHOULD NOT BE USED WITHOUT WRITTEN PERMISSION						

NOTES

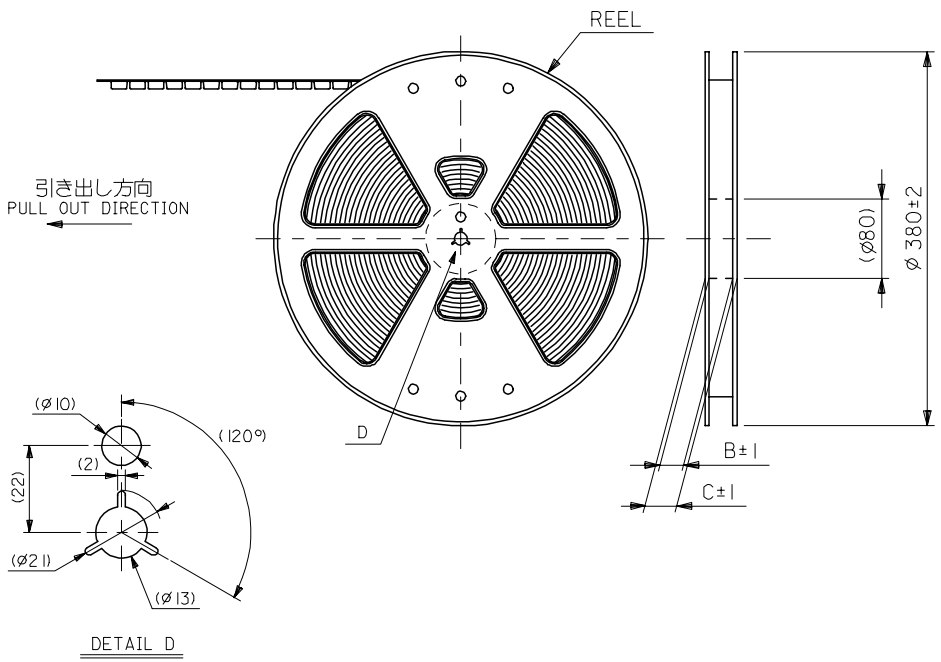
- 製品詳細寸法については製品単体図面を参照下さい。  
RE DETAILED DIMENSION, SEE PRODUCT DRAWING.
- 梱包数量：2500個/リール  
NUMBER OF CONNECTORS : 2500PCS/REEL
- リードテープ長さ LEAD TAPE LENGTH



- トップテープの剥離強度：0.1N～1.3N(10gf～130gf)  
(剥離方向は下図参照)  
尚、本規格値は出荷時に適用。(但し、輸送時に剥離が発生しないこと。)  
PEELING OFF FORCE OF TOP TAPE : 0.1N～1.3N(10gf～130gf)  
(PEELING DIRECTION AS SHOWN IN FOLLOWING FIG.)  
THIS REQUIREMENT SHOULD BE APPLIED AT SHIPMENT.  
PEEL OFF SHOULD NOT BE ALLOWED, DURING TRANSPORTATION.



- 材料  
キャリアテープ (CARRIER TAPE) : ポリプロピレン (POLYPROPYLENE)  
トップテープ (TOPTAPE) : PET, PE, PEF  
リール (REEL) : ポリスチレン (PS) <リサイクル材を含む>  
POLYSTYRENE (PS) <RECYCLE MATERIAL CONTAINED>
- 本製品は 51338-\*\*\*4 の鉛フリー品である。  
THIS PRODUCT IS LEAD FREE OF 51338-\*\*\*4.



DETAIL D

REVISED EC NO: J2006-0826 DRWN: TAKEMOTO 2005/09/30 CHKD: 2005/09/30 APPR: NUKITA 2005/09/30	GENERAL TOLERANCES (UNLESS SPECIFIED)		DIMENSION STYLE MM ONLY		51338-xx74		MODEL NO.	
	10 UNDER	±---	DRAWN BY M. NINOMI	DATE 2004/03/17	SCALE ---	DESIGN UNITS METRIC	THIRD ANGLE PROJECTION	
	10 OVER 30 UNDER	±---	CHECKED BY K. TOJO	DATE 2004/03/17	TITLE 0.4 B-TO-B CONN. REC HSG ASSY(HGT=1.5) EMBSTP PKG -LEAD FREE-			
	30 OVER	±---	APPROVED BY M. SASAO	DATE 2004/03/17	MOLEX INCORPORATED			
	ANGULAR	±---	MATERIAL NO. SEE CHART		DOCUMENT NO. SD-51338-004		SHEET NO. 1 OF 4	
	DRAFT WHERE APPLICABLE MUST REMAIN WITHIN DIMENSIONS		SIZE A3		THIS DRAWING CONTAINS INFORMATION THAT IS PROPRIETARY TO MOLEX INCORPORATED AND SHOULD NOT BE USED WITHOUT WRITTEN PERMISSION			

10 9 8 7 6 5 4 3 2 1

F

E

D

C

B

A

F

E

D

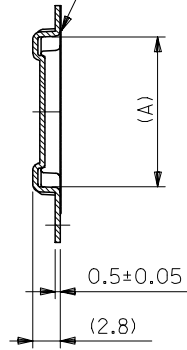
C

B

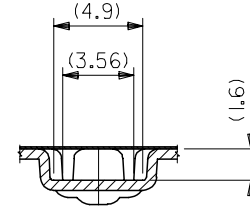
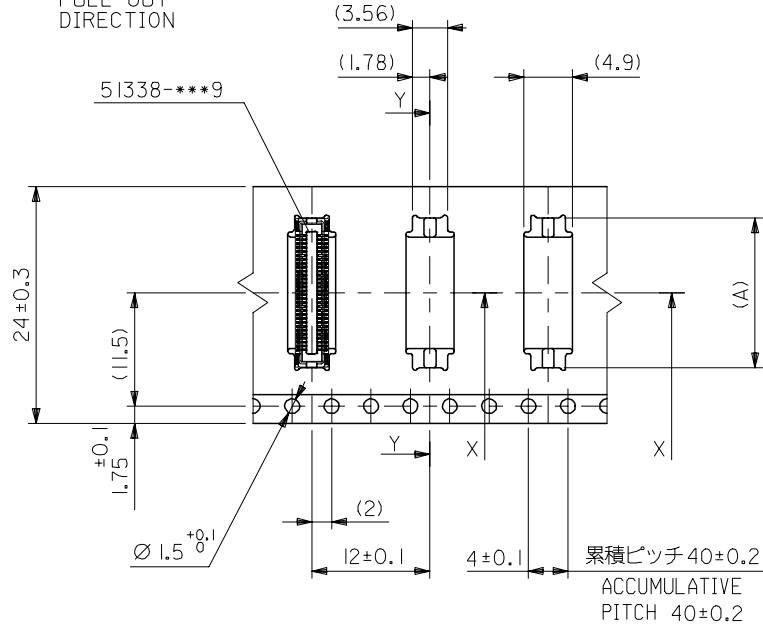
A

引き出し方向  
PULL OUT  
DIRECTION

トップテープ  
TOP TAPE



SECT:Y-Y



SECT:X-X

24mm幅キャリアテープ  
24mm WIDTH CARRIER TAPE

24	29.4	25.4	15.26	51338-0674	60		
			13.26	51338-0574	50		
			11.26	51338-0474	40		
			10.06	51338-3474	34		
			9.26	51338-0374	30		
			8.46	51338-2674	26		
			8.06	51338-2474	24		
			7.66	51338-2274	22		
			7.26	51338-0274	20		
5.66	51338-9974	12					
キャリアテープ幅 CARRIER TAPE WIDTH			C	B	(A)	MATERIAL NO.	極数 CKT.

REVISED EC NO: J2006-0826 DRWN: TAKEMOTO 2005/09/30 CHKD: TANAKA 2005/09/30 APPR: NUKITA 2005/09/30	GENERAL TOLERANCES (UNLESS SPECIFIED)		DIMENSION STYLE MM ONLY		SCALE ---		DESIGN UNITS METRIC		THIRD ANGLE PROJECTION	
	10 UNDER	±---	DRAWN BY M. NINOMI	DATE 2004/03/17	TITLE 0.4 B-TO-B CONN. REC HSG ASSY(HGT=1.5) EMBSTP PKG -LEAD FREE-					
	10 OVER 30 UNDER	±---	CHECKED BY K. TOJO	DATE 2004/03/17	APPROVED BY M. SASAO 2004/03/17					
	30 OVER	±---	APPROVED BY M. SASAO 2004/03/17		MATERIAL NO. SEE CHART		DOCUMENT NO. SD-51338-004		SHEET NO. 2 OF 4	
	ANGULAR	±---	DRAFT WHERE APPLICABLE MUST REMAIN WITHIN DIMENSIONS		SIZE A3		THIS DRAWING CONTAINS INFORMATION THAT IS PROPRIETARY TO MOLEX INCORPORATED AND SHOULD NOT BE USED WITHOUT WRITTEN PERMISSION			

10 9 8 7 6 5 4 3 2 1

F

E

D

C

B

A

F

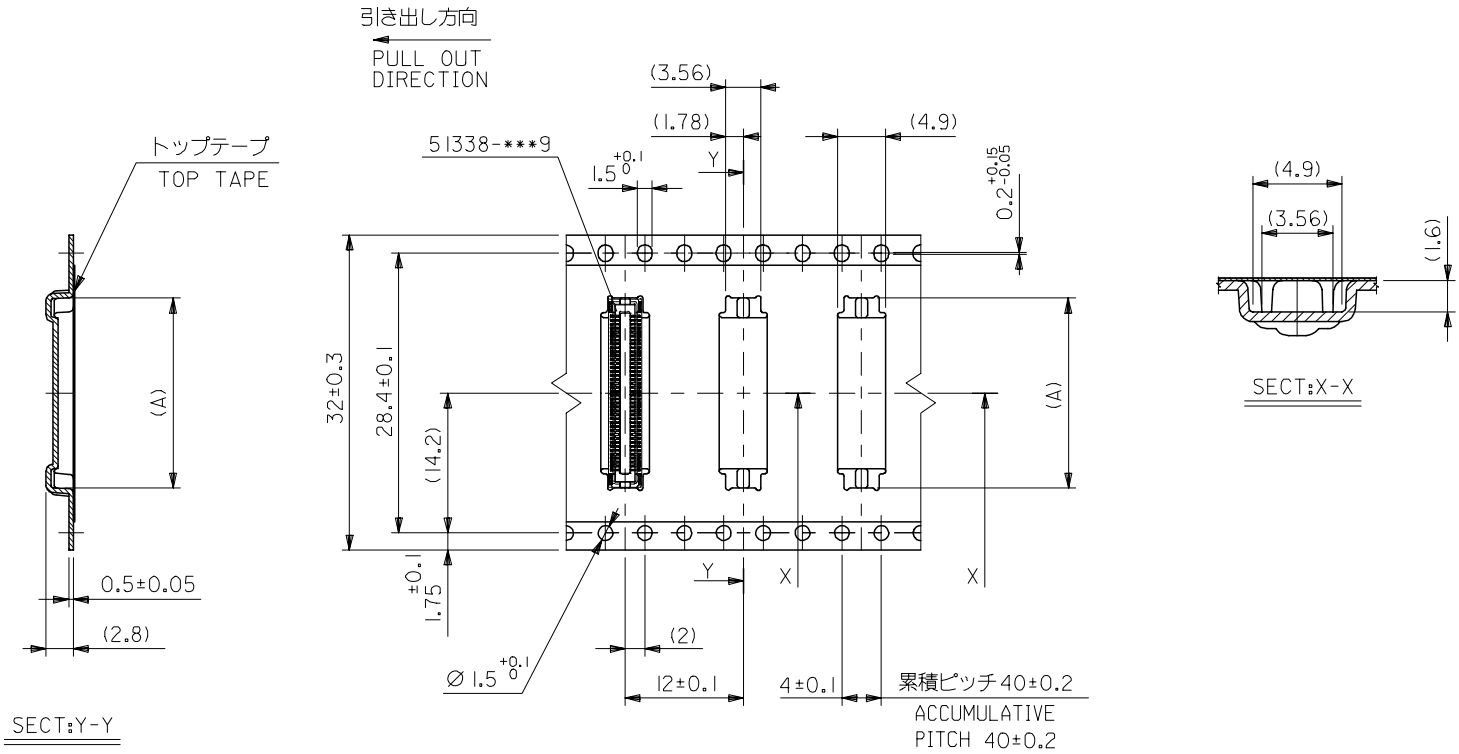
E

D

C

B

A



32mm幅キャリアテープ  
32mm WIDTH CARRIER TAPE

32	37.4	33.4	21.26	51338-0974	90
			19.26	51338-0874	80
			17.26	51338-0774	70
キャリアテープ幅 CARRIER TAPE WIDTH	C	B	(A)	MATERIAL NO.	極数 CKT.

REVISED EC NO: J2006-0826 DRW: TAKEMOTO 2005/09/30 CHK: TANAKA 2005/09/30 APPR: NUKITA 2005/09/30	GENERAL TOLERANCES (UNLESS SPECIFIED)		DIMENSION STYLE MM ONLY		SCALE ---		DESIGN UNITS METRIC		THIRD ANGLE PROJECTION	
	10 UNDER	±---	DRAWN BY M. NINOMI	DATE 2004/03/17	TITLE 0.4 B-TO-B CONN. REC HSG ASSY(HGT=1.5) EMBSTP PKG -LEAD FREE-					
	10 OVER 30 UNDER	±---	CHECKED BY K. TOJO	DATE 2004/03/17	MOLEX INCORPORATED					
	30 OVER	±---	APPROVED BY M. SASAO	DATE 2004/03/17	MATERIAL NO. SEE CHART		DOCUMENT NO. SD-51338-004		SHEET NO. 3 OF 4	
	ANGULAR ±---		DRAFT WHERE APPLICABLE MUST REMAIN WITHIN DIMENSIONS		THIS DRAWING CONTAINS INFORMATION THAT IS PROPRIETARY TO MOLEX INCORPORATED AND SHOULD NOT BE USED WITHOUT WRITTEN PERMISSION					

10 9 8 7 6 5 4 3 2 1

F

E

D

C

B

A

F

E

D

C

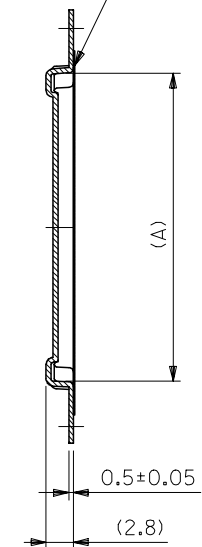
B

A

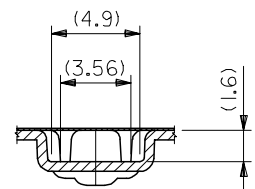
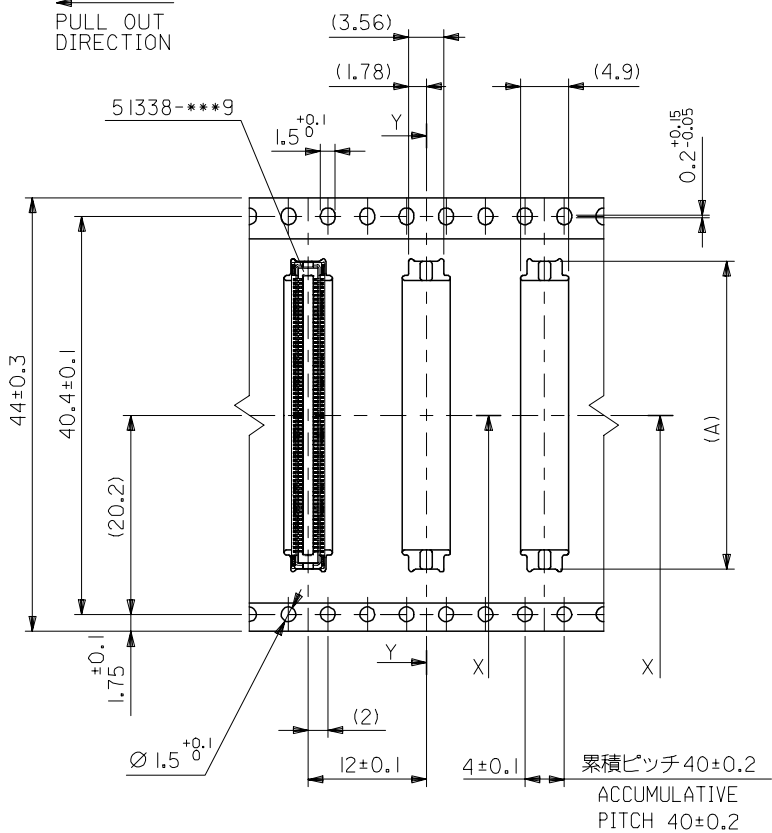
引き出し方向  
PULL OUT  
DIRECTION

トップテープ  
TOP TAPE

51338-\*\*\*9



SECT:Y-Y



SECT:X-X

44mm幅キャリアテープ  
44mm WIDTH CARRIER TAPE

44	49.4	45.4	27.26	51338-1274	120
			23.26	51338-1074	100
キャリアテープ幅 CARRIER TAPE WIDTH	C	B	(A)	MATERIAL NO.	極数 CKT.

51338-\*\*\*74 MODEL NO.

REVISED EC NO: J2006-0826 DRWN: TAKEMOTO CHKD: 2005/09/30 APPR: NUKITA 2005/09/30	GENERAL TOLERANCES (UNLESS SPECIFIED)		DIMENSION STYLE MM ONLY	SCALE ---	DESIGN UNITS METRIC	THIRD ANGLE PROJECTION
	10 UNDER	±---	DRAWN BY M. NINOMI	DATE 2004/03/17	TITLE 0.4 B-TO-B CONN. REC HSG ASSY(HGT=1.5) EMBSTP PKG -LEAD FREE-	
	10 OVER 30 UNDER	±---	CHECKED BY K. TOJO	DATE 2004/03/17	MOLEX INCORPORATED	
	30 OVER	±---	APPROVED BY M. SASAO	DATE 2004/03/17	DOCUMENT NO. SD-51338-004	SHEET NO. 4 OF 4
	ANGULAR	±---	MATERIAL NO.	SEE CHART		
DRAFT WHERE APPLICABLE MUST REMAIN WITHIN DIMENSIONS			SIZE A3	THIS DRAWING CONTAINS INFORMATION THAT IS PROPRIETARY TO MOLEX INCORPORATED AND SHOULD NOT BE USED WITHOUT WRITTEN PERMISSION		





Компания «ЭлектроПласт» предлагает заключение долгосрочных отношений при поставках импортных электронных компонентов на взаимовыгодных условиях!

Наши преимущества:

- Оперативные поставки широкого спектра электронных компонентов отечественного и импортного производства напрямую от производителей и с крупнейших мировых складов;
- Поставка более 17-ти миллионов наименований электронных компонентов;
- Поставка сложных, дефицитных, либо снятых с производства позиций;
- Оперативные сроки поставки под заказ (от 5 рабочих дней);
- Экспресс доставка в любую точку России;
- Техническая поддержка проекта, помощь в подборе аналогов, поставка прототипов;
- Система менеджмента качества сертифицирована по Международному стандарту ISO 9001;
- Лицензия ФСБ на осуществление работ с использованием сведений, составляющих государственную тайну;
- Поставка специализированных компонентов (Xilinx, Altera, Analog Devices, Intersil, Interpoint, Microsemi, Aeroflex, Peregrine, Syfer, Eurofarad, Texas Instrument, Miteq, Cobham, E2V, MA-COM, Hittite, Mini-Circuits, General Dynamics и др.);

Помимо этого, одним из направлений компании «ЭлектроПласт» является направление «Источники питания». Мы предлагаем Вам помощь Конструкторского отдела:

- Подбор оптимального решения, техническое обоснование при выборе компонента;
- Подбор аналогов;
- Консультации по применению компонента;
- Поставка образцов и прототипов;
- Техническая поддержка проекта;
- Защита от снятия компонента с производства.



#### Как с нами связаться

**Телефон:** 8 (812) 309 58 32 (многоканальный)

**Факс:** 8 (812) 320-02-42

**Электронная почта:** [org@eplast1.ru](mailto:org@eplast1.ru)

**Адрес:** 198099, г. Санкт-Петербург, ул. Калинина, дом 2, корпус 4, литера А.