

12-Bit Rail-to-Rail Micropower DACs in SO-8

FEATURES

- 12-Bit Resolution
- **Buffered True Rail-to-Rail Voltage Output**
- 3V Operation (LTC1453), I_{CC} : 250 μ A Typ
- 5V Operation (LTC1451), I_{CC} : 400 μ A Typ
- 3V to 5V Operation (LTC1452), I_{CC} : 225 μ A Typ
- Built-In Reference: 2.048V (LTC1451)
1.220V (LTC1453)
- Multiplying Version (LTC1452)
- Power-On Reset
- **SO-8 Package**
- 3-Wire Cascadable Serial Interface
- **Maximum DNL Error: 0.5LSB**
- Schmitt Trigger on Clock Input Allows Direct Optocoupler Interface

APPLICATIONS

- Digital Calibration
- Industrial Process Control
- Automatic Test Equipment
- Cellular Telephones

DESCRIPTION

The LTC[®]1451/LTC1452/LTC1453 are complete single supply, rail-to-rail voltage output 12-bit digital-to-analog converters (DACs) in an SO-8 package. They include an output buffer amplifier and an easy-to-use 3-wire cascadable serial interface.

The LTC1451 has an onboard reference of 2.048V and a full-scale output of 4.095V. It operates from a single 4.5V to 5.5V supply.

The LTC1452 is a multiplying DAC with a full-scale output of twice the reference input voltage. It operates from a single supply of 2.7V to 5.5V.

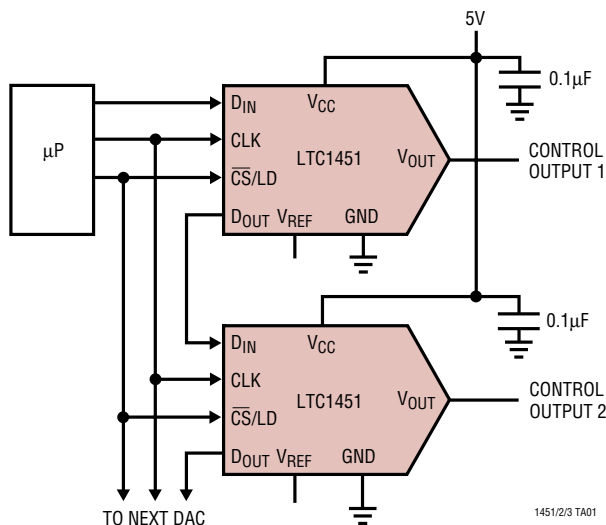
The LTC1453 has an onboard 1.22V reference and a full-scale output of 2.5V. It operates from a single supply of 2.7V to 5.5V.

The low power supply current makes the LTC1451 family ideal for battery-powered applications. The space saving 8-pin SO package and operation with no external components provide the smallest 12-bit DAC system available.

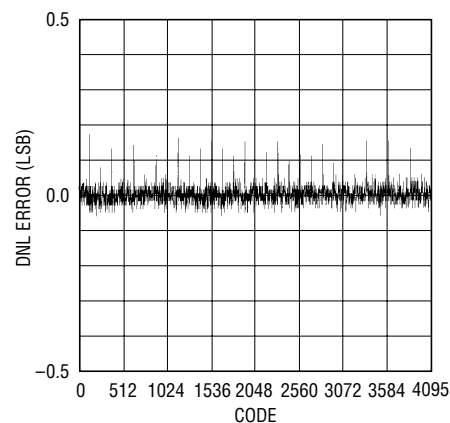
LT, LTC and LT are registered trademarks of Linear Technology Corporation.

TYPICAL APPLICATION

Daisy-Chained Control Outputs



Differential Nonlinearity
vs Input Code



1451/2/3 TA02

1451/2/3 TA01

sn145123 145123fas

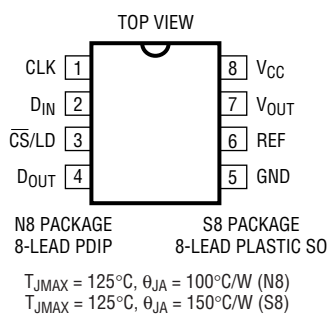
LTC1451

LTC1452/LTC1453

ABSOLUTE MAXIMUM RATINGS (Note 1)

V_{CC} to GND	-0.5V to 7.5V	Operating Temperature Range	
TTL Input Voltage	-0.5V to 7.5V	Commercial	0°C to 70°C
V_{OUT} , D_{OUT}	-0.5V to $V_{CC} + 0.5V$	Industrial	-40°C to 85°C
REF	-0.5V to $V_{CC} + 0.5V$	Storage Temperature Range	-65°C to 150°C
Maximum Junction Temperature	-65°C to 125°C	Lead Temperature (Soldering, 10 sec)	300°C

PACKAGE/ORDER INFORMATION

	ORDER PART NUMBER		S8 PART MARKING
		LTC1451CN8	LTC1451CS8
	LTC1452CN8	LTC1452CS8	1452
	LTC1453CN8	LTC1453CS8	1453
	LTC1451IN8	LTC1451IS8	1451I
	LTC1452IN8	LTC1452IS8	1452I
	LTC1453IN8	LTC1453IS8	1453I

Consult factory for Military grade parts.

ELECTRICAL CHARACTERISTICS

The ● denotes specifications which apply over the full operating temperature range, otherwise specifications are at $T_A = 25^\circ\text{C}$. $V_{CC} = 4.5\text{V}$ to 5.5V (LTC1451), 2.7V to 5.5V (LTC1452/LTC1453), internal or external reference ($V_{REF} \leq V_{CC}/2$), V_{OUT} and REF unloaded, unless otherwise noted.

SYMBOL	PARAMETER	CONDITIONS	MIN	TYP	MAX	UNITS	
DAC							
	Resolution		●	12		Bits	
DNL	Differential Nonlinearity	Guaranteed Monotonic (Note 2)	●		±0.5	LSB	
INL	Integral Nonlinearity	$T_A = 25^\circ\text{C}$ (Note 2)	●		±3.5	LSB	
			●		±4	LSB	
V_{OS}	Offset Error	$T_A = 25^\circ\text{C}$	●		±12	mV	
			●		±18	mV	
V_{OSTC}	Offset Error Temperature Coefficient			±15		$\mu\text{V}/^\circ\text{C}$	
V_{FS}	Full-Scale Voltage	When Using Internal Reference, LTC1451, $T_A = 25^\circ\text{C}$	●	4.065	4.095	4.125	V
		LTC1451	●	4.045	4.095	4.145	V
		External 2.048V Reference, $V_{CC} = 5\text{V}$, LTC1452	●	4.075	4.095	4.115	V
V_{FS}	Full-Scale Voltage	When Using Internal Reference, LTC1453, $T_A = 25^\circ\text{C}$	●	2.470	2.500	2.530	V
		LTC1453	●	2.460	2.500	2.540	V
V_{FSTC}	Full-Scale Voltage Temperature Coefficient	When Using Internal Reference, LTC1451			±0.10	LSB/ $^\circ\text{C}$	
		When Using External 2.048V Reference, LTC1452			±0.02	LSB/ $^\circ\text{C}$	
		When Using Internal Reference, LTC1453			±0.10	LSB/ $^\circ\text{C}$	

sn145123 145123fas

ELECTRICAL CHARACTERISTICS The ● denotes specifications which apply over the full operating temperature range, otherwise specifications are at $T_A = 25^\circ\text{C}$. $V_{CC} = 4.5\text{V to }5.5\text{V}$ (LTC1451), $2.7\text{V to }5.5\text{V}$ (LTC1452/LTC1453), internal or external reference ($V_{REF} \leq V_{CC}/2$), V_{OUT} and REF unloaded, unless otherwise noted.

SYMBOL	PARAMETER	CONDITIONS		MIN	TYP	MAX	UNITS
Reference (LTC1451/LTC1453)							
	Reference Output Voltage	LTC1451 LTC1453	● ●	2.008 1.195	2.048 1.220	2.088 1.245	V V
	Reference Output Temperature Coefficient				±0.08		LSB/°C
	Reference Line Regulation		●		0.7	±2	LSB/V
	Reference Load Regulation	$0 \leq I_{OUT} \leq 100\mu\text{A}$, LTC1451 LTC1453	● ●		0.2 0.6	±1.5 ±3	LSB LSB
	Reference Input Range	$V_{REF} \leq V_{CC} - 1.5\text{V}$	●			$V_{CC}/2$	V
	Reference Input Resistance		●	8	14	30	kΩ
	Reference Input Capacitance				15		pF
	Short-Circuit Current	REF Shorted to GND	●			80	mA
Power Supply							
V_{CC}	Positive Supply Voltage	For Specified Performance, LTC1451 LTC1452 LTC1453	● ● ●	4.5 2.7 2.7		5.5 5.5 5.5	V V V
I_{CC}	Supply Current	$4.5\text{V} \leq V_{CC} \leq 5.5\text{V}$ (Note 4), LTC1451 $2.7\text{V} \leq V_{CC} \leq 5.5\text{V}$ (Note 4), LTC1452 $2.7\text{V} \leq V_{CC} \leq 5.5\text{V}$ (Note 4), LTC1453	● ● ●		400 225 250	620 350 500	μA μA μA
Op Amp DC Performance							
	Short-Circuit Current Low	V_{OUT} Shorted to GND	●			100	mA
	Short-Circuit Current High	V_{OUT} Shorted to V_{CC}	●			120	mA
	Output Impedance to GND	Input Code = 0	●		40	120	Ω
AC Performance							
	Voltage Output Slew Rate	(Note 3)	●	0.4	1.0		V/μs
	Voltage Output Settling Time	(Notes 3, 4) to ±0.5LSB			14		μs
	Digital Feedthrough				0.3		nV•s
	AC Feedthrough	REF = 1kHz, 2V _{p-p} , LTC1452			-95		dB
SINAD	Signal-to-Noise + Distortion	REF = 1kHz, 2V _{p-p} , (Code: All 1s) LTC1452			85		dB

LTC1451

LTC1452/LTC1453

ELECTRICAL CHARACTERISTICS

The ● denotes specifications which apply over the full operating temperature range, otherwise specifications are at $T_A = 25^\circ\text{C}$. $V_{CC} = 5\text{V}$ (LTC1451/LTC1452), $V_{CC} = 3\text{V}$ (LTC1453).

SYMBOL	PARAMETER	CONDITIONS	LTC1451/LTC1452			LTC1453			UNITS
			MIN	TYP	MAX	MIN	TYP	MAX	
Digital I/O									
V_{IH}	Digital Input High Voltage		●	2.4		2.0			V
V_{IL}	Digital Input Low Voltage		●		0.8		0.6		V
V_{OH}	Digital Output High Voltage	$I_{OUT} = -1\text{mA}$	●	$V_{CC} - 1.0$		$V_{CC} - 0.7$			V
V_{OL}	Digital Output Low Voltage	$I_{OUT} = 1\text{mA}$	●		0.4		0.4		V
I_{LEAK}	Digital Input Leakage	$V_{IN} = \text{GND to } V_{CC}$	●		± 10		± 10		μA
C_{IN}	Digital Input Capacitance	Guaranteed by Design Not Subject to Test	●		10		10		pF

Switching

t_1	D_{IN} Valid to CLK Setup		●	40		60			ns
t_2	D_{IN} Valid to CLK Hold		●	0		0			ns
t_3	CLK High Time		●	40		60			ns
t_4	CLK Low Time		●	40		60			ns
t_5	$\overline{\text{CS}}/\text{LD}$ Pulse Width		●	50		80			ns
t_6	LSB CLK to $\overline{\text{CS}}/\text{LD}$		●	40		60			ns
t_7	$\overline{\text{CS}}/\text{LD}$ Low to CLK		●	20		30			ns
t_8	D_{OUT} Output Delay	$C_{LOAD} = 15\text{pF}$	●		150		220		ns
t_9	CLK Low to $\overline{\text{CS}}/\text{LD}$ Low		●	20		30			ns

Note 1: Absolute Maximum Ratings are those values beyond which the life of the device may be impaired.

Note 2: Nonlinearity is defined from the first code that is greater than or equal to the maximum offset specification to code 4095 (full scale).

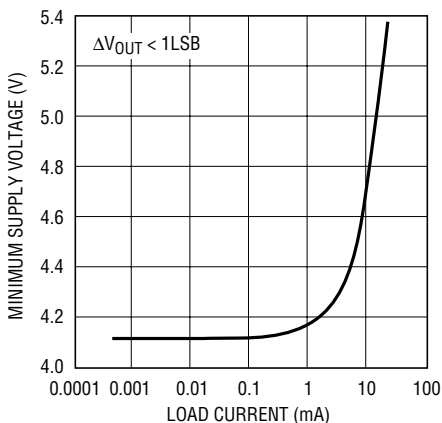
Note 3: Load is $5\text{k}\Omega$ in parallel with 100pF .

Note 4: DAC switched between all 1s and the code corresponding to V_{OS} for the part, i.e., LTC1451: code 18; LTC1453: code 30.

Note 5: Digital inputs at 0V or V_{CC} .

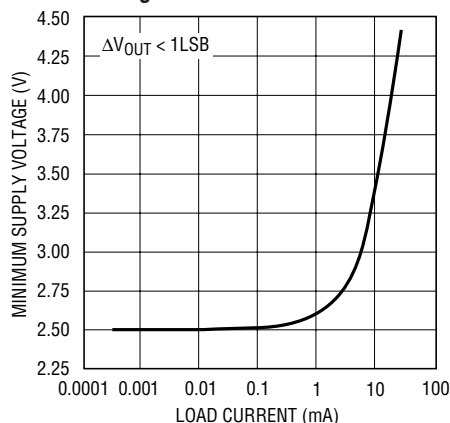
TYPICAL PERFORMANCE CHARACTERISTICS

LTC1451 Minimum Supply Voltage vs Load Current



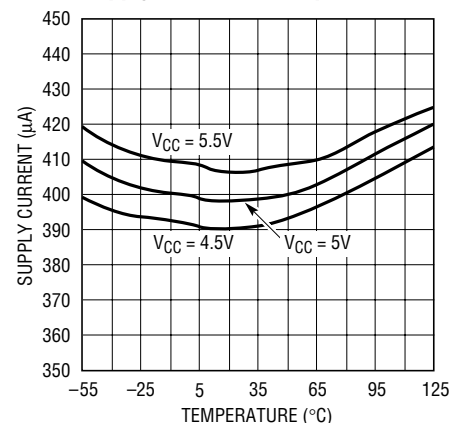
1451/2/3 G01

LTC1453 Minimum Supply Voltage vs Load Current



1451/2/3 G02

LTC1451 Supply Current vs Temperature

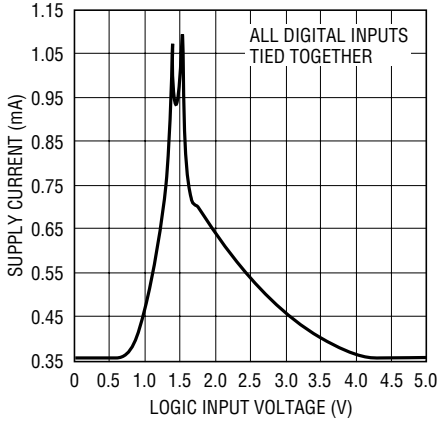


1451/2/3 G03

sn145123 145123fas

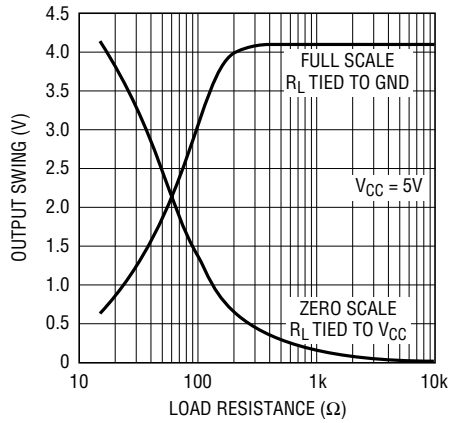
TYPICAL PERFORMANCE CHARACTERISTICS

LTC1451
Supply Current vs Logic Input Voltage



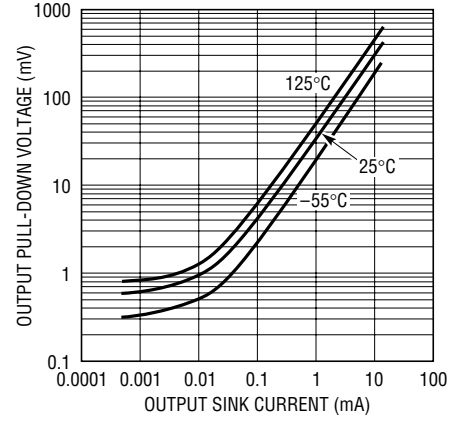
1451/2/3 G04

LTC1451
Output Swing vs Load Resistance



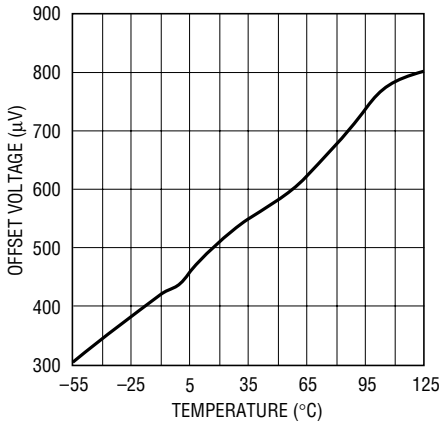
1451/2/3 G05

LTC1451
Pull-Down Voltage vs Output Sink Current Capability



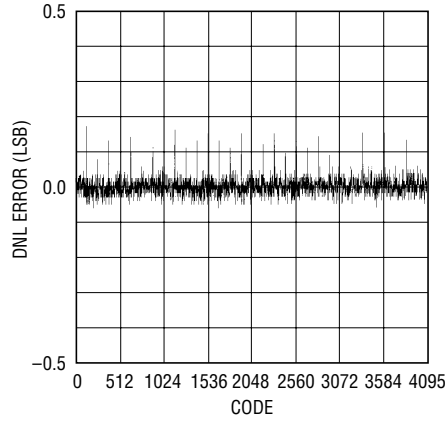
1451/2/3 G06

LTC1451
Offset Voltage vs Temperature



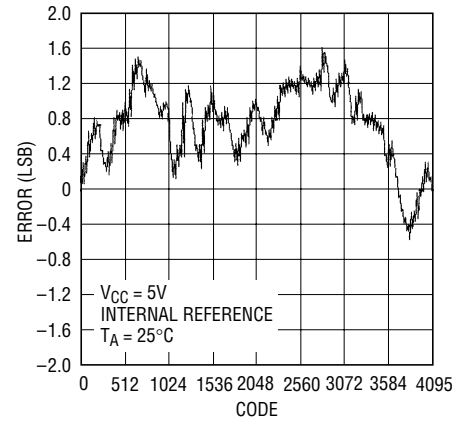
1451/2/3 G07

LTC1451
Differential Nonlinearity (DNL)



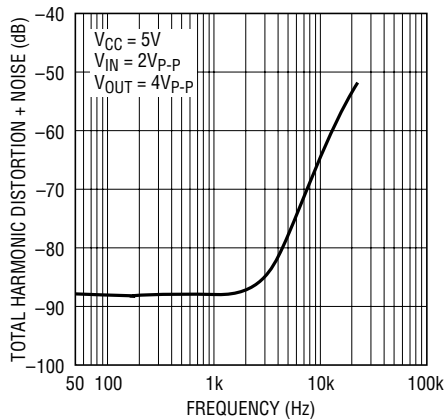
1451/2/3 TA02

LTC1451
Integral Nonlinearity (INL)



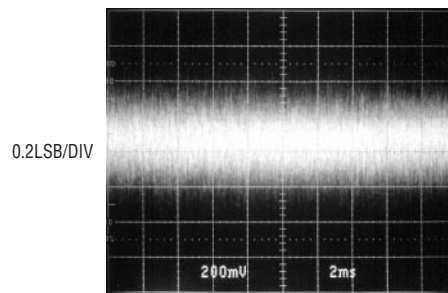
1451/2/3 G09

LTC1452
Total Harmonic Distortion + Noise vs Frequency



1451/2/3 G08

LTC1451
Broadband Output Noise



CODE = FFFH
BW = 3Hz TO 1.4MHz
GAIN = 1000

1451/2/3 G10

PIN FUNCTIONS

CLK: The TTL Level Input for the Serial Interface Clock.

D_{IN}: The TTL Level Input for the Serial Interface Data. Data on the D_{IN} pin is latched into the shift register on the rising edge of the serial clock.

$\overline{\text{CS/LD}}$: The TTL Level Input for the Serial Interface Enable and Load Control. When $\overline{\text{CS/LD}}$ is low the CLK signal is enabled, so the data can be clocked in. When $\overline{\text{CS/LD}}$ is pulled high, data is loaded from the shift register into the DAC register, updating the DAC output.

D_{OUT}: The Output of the Shift Register which Becomes Valid on the Rising Edge of the Serial Clock.

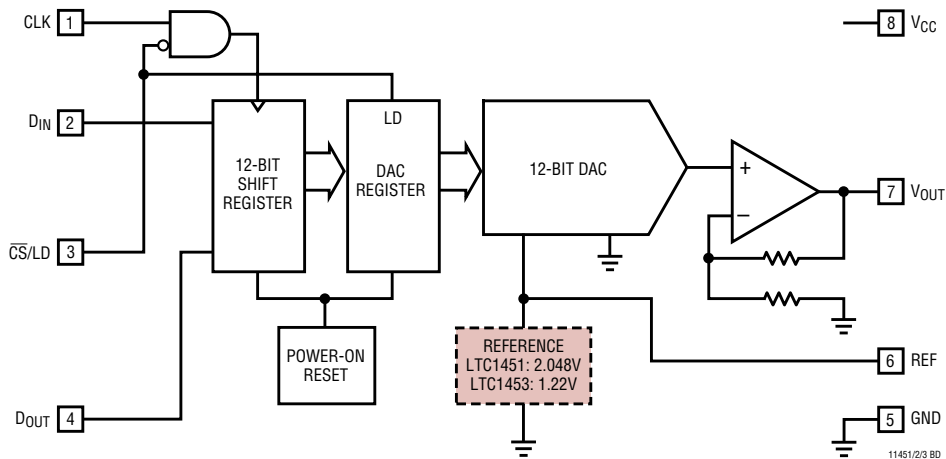
GND: Ground.

REF: The Output of the Internal Reference and the Input to the DAC Resistor Ladder. An external reference with voltage up to $V_{\text{CC}}/2$ may be used for the LTC1452.

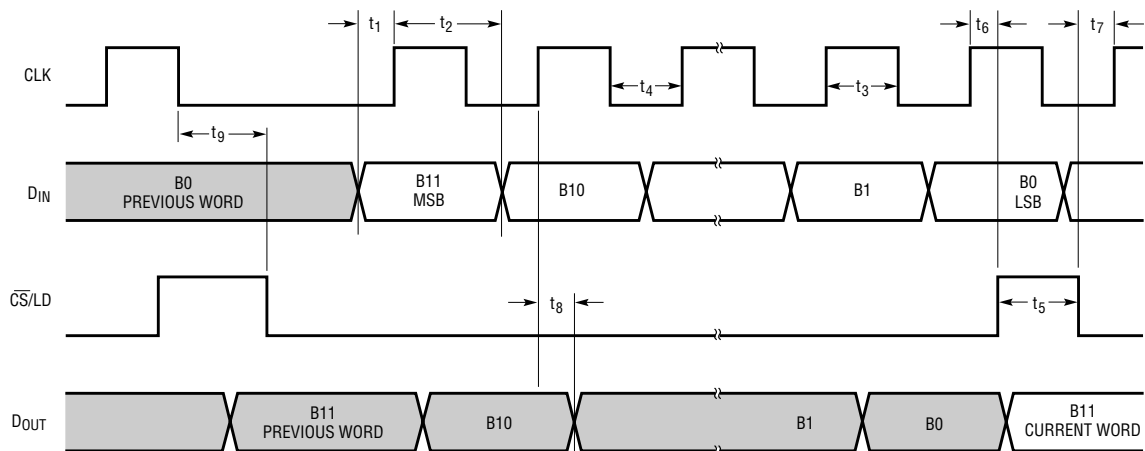
V_{OUT}: The Buffered DAC Output.

V_{CC}: The Positive Supply Input. $4.5\text{V} \leq V_{\text{CC}} \leq 5.5\text{V}$ (LTC1451), $2.7 \leq V_{\text{CC}} \leq 5.5\text{V}$ (LTC1452/LTC1453). Requires a bypass capacitor to ground.

BLOCK DIAGRAM



TIMING DIAGRAM



1451/2/3 TD
sn145123 145123fas

DEFINITIONS

Resolution (n): Resolution is defined as the number of digital input bits, n. It defines the number of DAC output states (2^n) that divide the full-scale range. The resolution does not imply linearity.

Full-Scale Voltage (V_{FS}): This is the output of the DAC when all bits are set to 1.

Voltage Offset Error (V_{OS}): Normally, DAC offset is the voltage at the output when the DAC is loaded with all zeros. The DAC can have a true negative offset, but because the part is operated from a single supply, the output cannot go below zero. If the offset is negative, the output will remain near 0V resulting in the transfer curve shown in Figure 1.

The offset of the part is measured at the code that corresponds to the maximum offset specification:

$$V_{OS} = V_{OUT} - [(Code \times V_{FS}) / (2^n - 1)]$$

Least Significant Bit (LSB): One LSB is the ideal voltage difference between two successive codes.

$$LSB = (V_{FS} - V_{OS}) / (2^n - 1) = (V_{FS} - V_{OS}) / 4095$$

Nominal LSBs:

LTC1451	$LSB = 4.095V / 4095 = 1mV$
LTC1452	$LSB = V(REF) / 4095$
LTC1453	$LSB = 2.5V / 4095 = 0.610mV$

Integral Nonlinearity (INL): End-point INL is the maximum deviation from a straight line passing through the end-points of the DAC transfer curve. Because the part operates from a single supply and the output cannot go below zero, the linearity is measured between full scale and the code corresponding to the maximum offset specification. The INL error at a given input code is calculated as follows:

$$INL = [V_{OUT} - V_{OS} - (V_{FS} - V_{OS})(code/4095)] / LSB$$

V_{OUT} = The output voltage of the DAC measured at the given input code

Differential Nonlinearity (DNL): DNL is the difference between the measured change and the ideal 1LSB change between any two adjacent codes. The DNL error between any two codes is calculated as follows:

$$DNL = (\Delta V_{OUT} - LSB) / LSB$$

ΔV_{OUT} = The measured voltage difference between two adjacent codes

Digital Feedthrough: The glitch that appears at the analog output caused by AC coupling from the digital inputs when they change state. The area of the glitch is specified in $nV \times sec$.

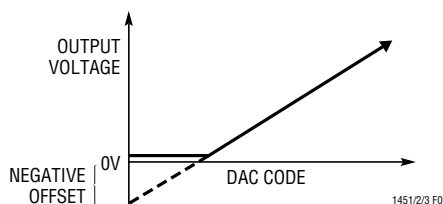


Figure 1. Effect of Negative Offset

OPERATION

Serial Interface

The data on the D_{IN} input is loaded into the shift register on the rising edge of the clock. The MSB is loaded first. The DAC register loads the data from the shift register when \overline{CS}/LD is pulled high. The CLK is disabled internally when \overline{CS}/LD is high. Note: CLK must be low before \overline{CS}/LD is pulled low to avoid an extra internal clock pulse.

The buffered output of the 12-bit shift register is available on the D_{OUT} pin which swings from GND to V_{CC} .

Multiple LTC1451/LTC1452/LTC1453s may be daisy-chained together by connecting the D_{OUT} pin to the D_{IN} pin of the next chip, while the CLK and \overline{CS}/LD signals remain common to all chips in the daisy chain. The serial data is clocked to all of the chips, then the \overline{CS}/LD signal is pulled high to update all of them simultaneously.

Reference

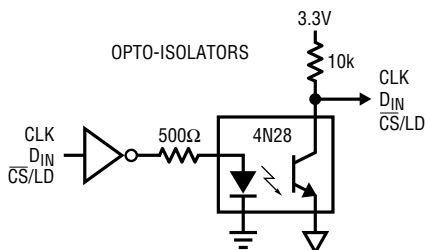
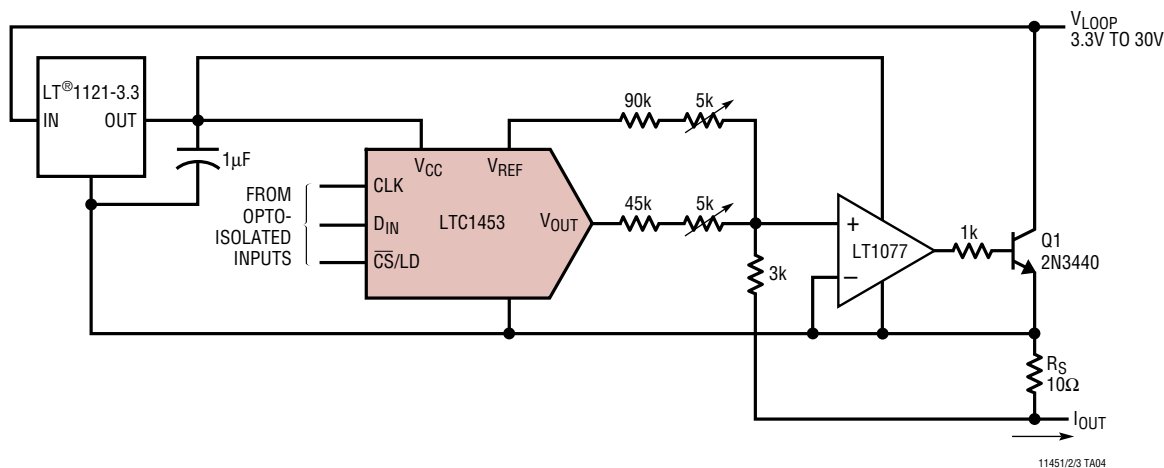
The LTC1451 includes an internal 2.048V reference, making 1LSB equal to 1mV (gain of 2). The LTC1453 has an internal reference of 1.22V with a full scale of 2.5V (gain of 2.05). The internal reference output is turned off when the pin is forced above the reference voltage, allowing an external reference to be connected to the reference pin. The LTC1452 has no internal reference and the REF pin must be driven externally. The buffer gain is 2, so the external reference must be less than $V_{CC}/2$ and be capable of driving the 8k minimum DAC resistor ladder.

Voltage Output

The LTC1451 family's rail-to-rail buffered output can source or sink 5mA over the entire operating temperature range while pulling to within 300mV of the positive supply voltage or ground. The output swings to within a few millivolts of either supply rail when unloaded and has an equivalent output resistance of 40 Ω when driving a load to the rails. The output can drive 1000pF without going into oscillation.

TYPICAL APPLICATIONS

An Isolated 4mA to 20mA Process Controller
Has 3.3V Minimum Loop Voltage

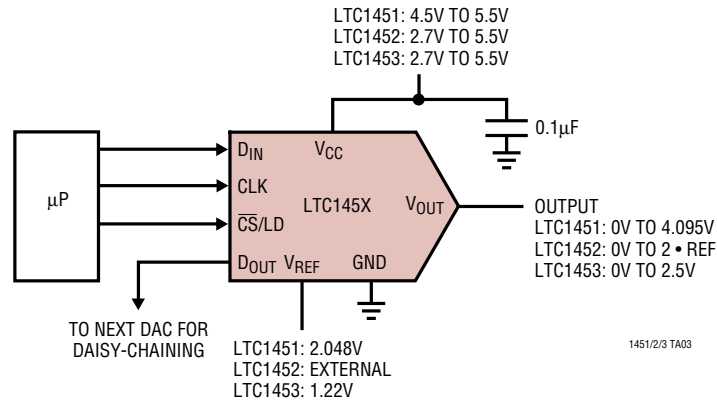


This circuit shows how to use an LTC1453 to make an opto-isolated digitally controlled 4mA to 20mA process controller. The controller circuitry, including the opto-isolation, is powered by the loop voltage that can have a wide range of 3.3V to 30V. The 1.22V reference output of the LTC1453 is used for the 4mA offset current and V_{OUT} is used for the digitally controlled 0mA to 16mA current. R_S is a sense resistor and the op amp modulates the transistor Q1 to provide the 4mA to 20mA current through this resistor. The potentiometers allow for offset and full-scale adjustment. The control circuitry dissipates well under the 4mA budget at zero-scale.

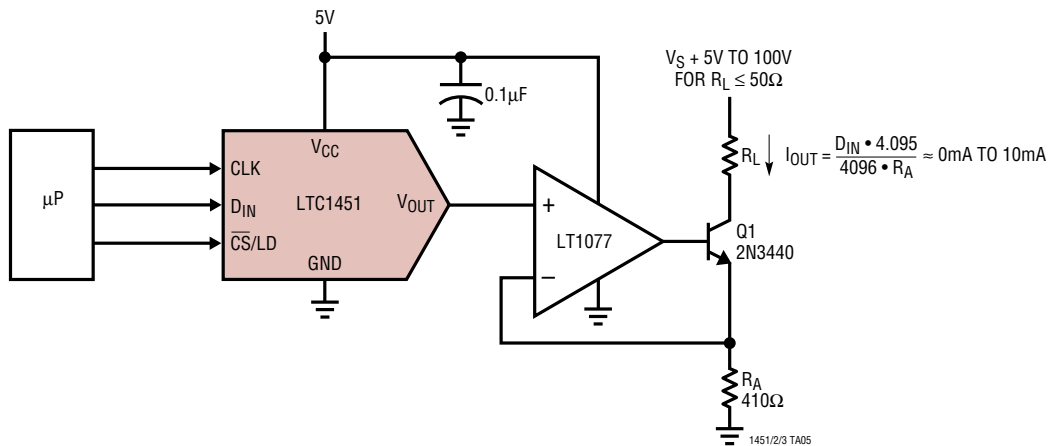
Note that although these DACs have internal Schmitt triggers and are suitable for use with slow rising edges such as produced by the above optoisolator, the use of optoisolators in a daisy-chained topology requires the addition of a gate or the use of a fast isolator on the clock signal. Setup and hold times between D_{OUT} and D_{IN} are not guaranteed unless a clock edge with a rise time of less than 100ns is provided.

TYPICAL APPLICATIONS

12-Bit 3V to 5V Voltage Output DAC



Digitally Programmable Current Source



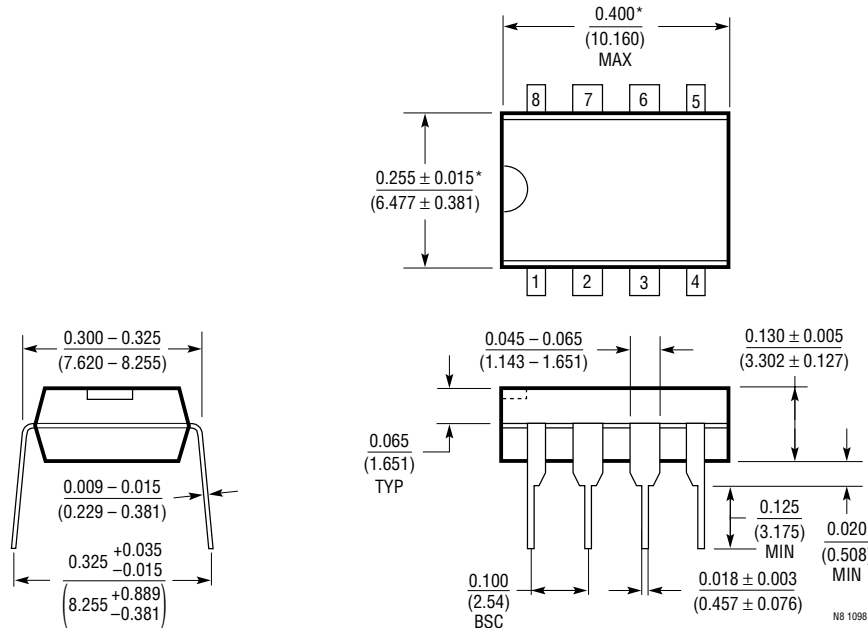
This circuit shows a digitally programmable current source from an external voltage source using an external op amp, an LT1077 and an NPN transistor (2N3440). Any digital word from 0 to 4095 is loaded into the LTC1451 and its output correspondingly swings from 0V to 4.095V. In the configuration shown, this voltage will be forced across the

resistor R_A . If R_A is chosen to be 410Ω the output current will range from 0mA at zero-scale to 10mA at full-scale. The minimum voltage for V_S is determined by the load resistor R_L and Q1's V_{CESAT} voltage. With a load resistor of 50Ω, the voltage source can be as low as 5V.

PACKAGE DESCRIPTION

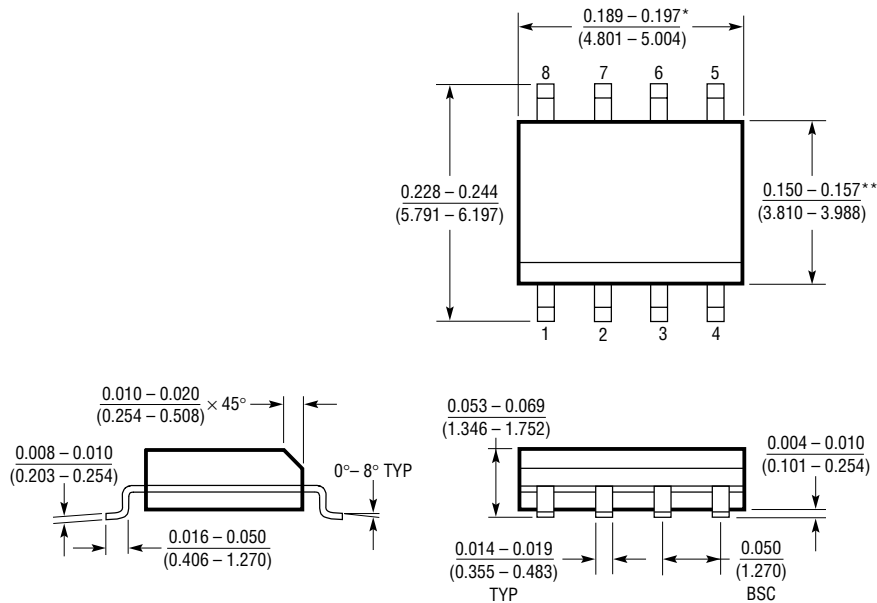
Dimensions in inches (millimeters) unless otherwise noted.

N8 Package 8-Lead PDIP (Narrow 0.300) (LTC DWG # 05-08-1510)



*THESE DIMENSIONS DO NOT INCLUDE MOLD FLASH OR PROTRUSIONS.
MOLD FLASH OR PROTRUSIONS SHALL NOT EXCEED 0.010 INCH (0.254mm)

S8 Package 8-Lead Plastic Small Outline (Narrow 0.150) (LTC DWG # 05-08-1610)



*DIMENSION DOES NOT INCLUDE MOLD FLASH. MOLD FLASH SHALL NOT EXCEED 0.006" (0.152mm) PER SIDE
**DIMENSION DOES NOT INCLUDE INTERLEAD FLASH. INTERLEAD FLASH SHALL NOT EXCEED 0.010" (0.254mm) PER SIDE

S08 1298

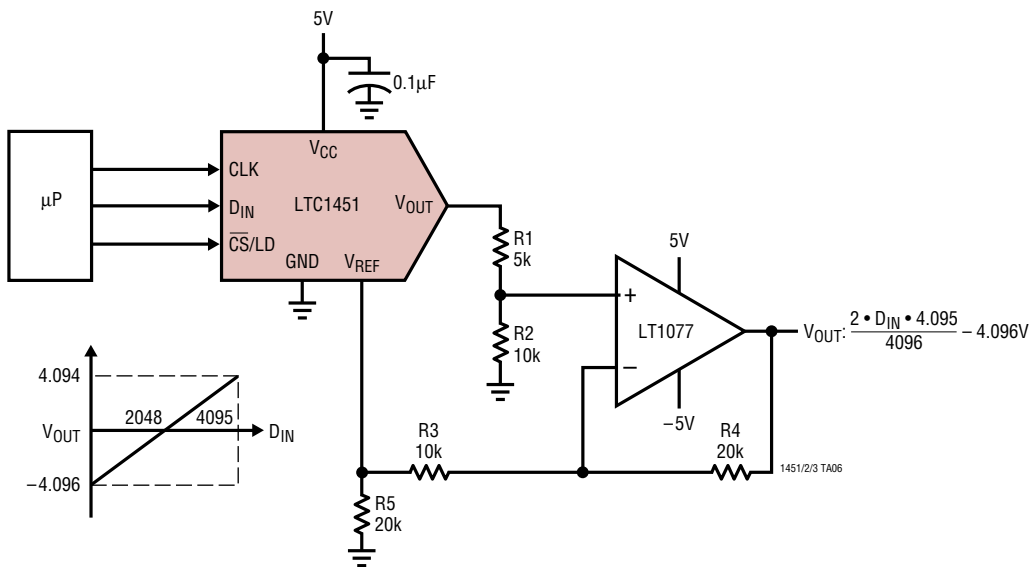
sn145123 145123fas

TYPICAL APPLICATION

This circuit shows how to make a bipolar output 12-bit DAC with a wide output swing using an LTC1451 and an LT1077. R1 and R2 resistively divide down the LTC1451 output and an offset is summed in using the LTC1451 onboard 2.048V reference and R3 and R4. R5 ensures that

the onboard reference is always sourcing current and never has to sink any current even when V_{OUT} is at full-scale. The LT1077 output will have a wide bipolar output swing of $-4.096V$ to $4.094V$ as shown in the figure above. With this output swing $1LSB = 2mV$.

A Wide Swing, Bipolar Output 12-Bit DAC



RELATED PARTS

PART NUMBER	DESCRIPTION	COMMENTS
LTC1257	5V to 15V Single Supply, Complete 12-Bit V_{OUT} DAC in SO-8 Package	Reference Can Be Overdriven Up to 12V, i.e., FS MAX = 12V
LTC1446/LTC1446L	Dual 12-Bit V_{OUT} DACs in SO-8	5V with 4.096V Full-Scale Output/3V with 2.5V Full Scale
LTC1448	Dual 12-Bit V_{OUT} DAC in SO-8	V_{CC} from 2.7V to 5.5V, Output Swings to V_{REF}
LTC1655/LTC1655L	5V/3V 16-Bit V_{OUT} DAC in SO-8	Pin Compatible with LTC1451/LTC1453
LTC1659	Single 12-Bit V_{OUT} DAC in MSOP	V_{CC} from 2.7V to 5.5V, Output Swings to V_{REF}
LTC7541	12-Bit Multiplying Parallel I_{OUT} DAC	5V to 16V Supply, 12-Bit Wide Interface
LTC7543/LTC8143	12-Bit Multiplying Serial I_{OUT} DAC	5V Supply, Clear Pin and Serial Data Output (LTC8143)
LTC8043	12-Bit Multiplying Serial I_{OUT} DAC	5V Supply, SO-8 Package



Компания «ЭлектроПласт» предлагает заключение долгосрочных отношений при поставках импортных электронных компонентов на взаимовыгодных условиях!

Наши преимущества:

- Оперативные поставки широкого спектра электронных компонентов отечественного и импортного производства напрямую от производителей и с крупнейших мировых складов;
- Поставка более 17-ти миллионов наименований электронных компонентов;
- Поставка сложных, дефицитных, либо снятых с производства позиций;
- Оперативные сроки поставки под заказ (от 5 рабочих дней);
- Экспресс доставка в любую точку России;
- Техническая поддержка проекта, помощь в подборе аналогов, поставка прототипов;
- Система менеджмента качества сертифицирована по Международному стандарту ISO 9001;
- Лицензия ФСБ на осуществление работ с использованием сведений, составляющих государственную тайну;
- Поставка специализированных компонентов (Xilinx, Altera, Analog Devices, Intersil, Interpoint, Microsemi, Aeroflex, Peregrine, Syfer, Eurofarad, Texas Instrument, Miteq, Cobham, E2V, MA-COM, Hittite, Mini-Circuits, General Dynamics и др.);

Помимо этого, одним из направлений компании «ЭлектроПласт» является направление «Источники питания». Мы предлагаем Вам помощь Конструкторского отдела:

- Подбор оптимального решения, техническое обоснование при выборе компонента;
- Подбор аналогов;
- Консультации по применению компонента;
- Поставка образцов и прототипов;
- Техническая поддержка проекта;
- Защита от снятия компонента с производства.



Как с нами связаться

Телефон: 8 (812) 309 58 32 (многоканальный)

Факс: 8 (812) 320-02-42

Электронная почта: org@eplast1.ru

Адрес: 198099, г. Санкт-Петербург, ул. Калинина, дом 2, корпус 4, литера А.