

# MC74VHC1G126

## Noninverting 3-State Buffer

The MC74VHC1G126 is an advanced high speed CMOS noninverting 3-state buffer fabricated with silicon gate CMOS technology. It achieves high speed operation similar to equivalent Bipolar Schottky TTL while maintaining CMOS low power dissipation.

The internal circuit is composed of three stages, including a buffered 3-state output which provides high noise immunity and stable output.

The MC74VHC1G126 input structure provides protection when voltages up to 7 V are applied, regardless of the supply voltage. This allows the MC74VHC1G126 to be used to interface 5 V circuits to 3 V circuits.

### Features

- High Speed:  $t_{PD} = 3.5 \text{ ns}$  (Typ) at  $V_{CC} = 5 \text{ V}$
- Low Power Dissipation:  $I_{CC} = 1 \mu\text{A}$  (Max) at  $T_A = 25^\circ\text{C}$
- Power Down Protection Provided on Inputs
- Balanced Propagation Delays
- Pin and Function Compatible with Other Standard Logic Families
- Chip Complexity: FETs = 58; Equivalent Gates = 15
- These Devices are Pb-Free and are RoHS Compliant

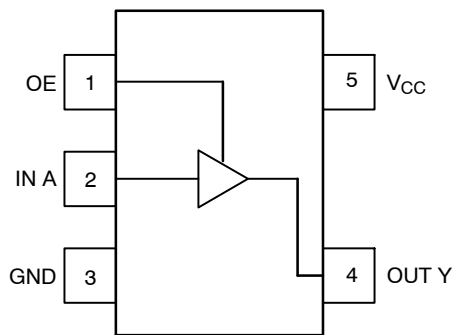


Figure 1. Pinout (Top View)



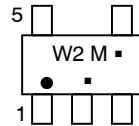
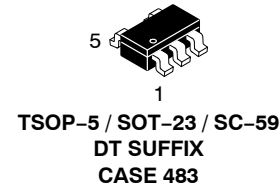
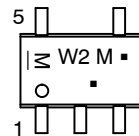
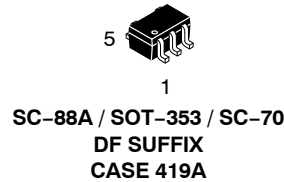
Figure 2. Logic Symbol



ON Semiconductor®

<http://onsemi.com>

### MARKING DIAGRAMS



W2 = Device Code  
M = Date Code\*  
▪ = Pb-Free Package

(Note: Microdot may be in either location)

\*Date Code orientation and/or position may vary depending upon manufacturing location.

### PIN ASSIGNMENT

| Pin | Function |
|-----|----------|
| 1   | OE       |
| 2   | IN A     |
| 3   | GND      |
| 4   | OUT Y    |
| 5   | $V_{CC}$ |

### FUNCTION TABLE

| A Input | OE Input | Y Output |
|---------|----------|----------|
| L       | H        | L        |
| H       | H        | H        |
| X       | L        | Z        |

### ORDERING INFORMATION

See detailed ordering and shipping information in the package dimensions section on page 4 of this data sheet.

# MC74VHC1G126

## MAXIMUM RATINGS

| Symbol               | Characteristics                              | Value  | Unit                        |
|----------------------|--|--|-----------------------------|
| V <sub>CC</sub>      | DC Supply Voltage                            | -0.5 to +7.0   | V                           |
| V <sub>IN</sub>      | DC Input Voltage                             | -0.5 to +7.0   | V                           |
| V <sub>OUT</sub>     | DC Output Voltage                            | V <sub>CC</sub> = 0<br>High or Low State<br>-0.5 to 7.0<br>-0.5 to V <sub>CC</sub> + 0.5 | V                           |
| I <sub>IK</sub>      | Input Diode Current                          | -20  | mA                          |
| I <sub>OK</sub>      | Output Diode Current                         | V <sub>OUT</sub> < GND; V <sub>OUT</sub> > V <sub>CC</sub>                               | +20<br>mA                   |
| I <sub>OUT</sub>     | DC Output Current, per Pin                   | +25  | mA                          |
| I <sub>CC</sub>      | DC Supply Current, V <sub>CC</sub> and GND   | +50  | mA                          |
| P <sub>D</sub>       | Power dissipation in still air               | SC-88A, TSOP-5   | 200<br>mW                   |
| θ <sub>JA</sub>      | Thermal resistance                           | SC-88A, TSOP-5   | 333<br>°C/W                 |
| T <sub>L</sub>       | Lead temperature, 1 mm from case for 10 secs | 260  | °C                          |
| T <sub>J</sub>       | Junction temperature under bias              | +150   | °C                          |
| T <sub>stg</sub>     | Storage temperature                          | -65 to +150  | °C                          |
| V <sub>ESD</sub>     | ESD Withstand Voltage                        | Human Body Model (Note 1)<br>Machine Model (Note 2)<br>Charged Device Model (Note 3)     | > 2000<br>> 200<br>N/A<br>V |
| I <sub>Latchup</sub> | Latchup Performance                          | Above V <sub>CC</sub> and Below GND at 125°C (Note 4)                                    | ±500<br>mA                  |

Stresses exceeding Maximum Ratings may damage the device. Maximum Ratings are stress ratings only. Functional operation above the Recommended Operating Conditions is not implied. Extended exposure to stresses above the Recommended Operating Conditions may affect device reliability.

1. Tested to EIA/JESD22-A114-A
2. Tested to EIA/JESD22-A115-A
3. Tested to JESD22-C101-A
4. Tested to EIA/JESD78

## RECOMMENDED OPERATING CONDITIONS

| Symbol                          | Characteristics             | Min  | Max             | Unit |
|---------------------------------|-----------------------------|--|-----------------|------|
| V <sub>CC</sub>                 | DC Supply Voltage           | 2.0  | 5.5             | V    |
| V <sub>IN</sub>                 | DC Input Voltage            | 0.0  | 5.5             | V    |
| V <sub>OUT</sub>                | DC Output Voltage           | 0.0  | V <sub>CC</sub> | V    |
| T <sub>A</sub>                  | Operating Temperature Range | -55  | +125            | °C   |
| t <sub>r</sub> , t <sub>f</sub> | Input Rise and Fall Time    | V <sub>CC</sub> = 3.3 V ± 0.3 V<br>V <sub>CC</sub> = 5.0 V ± 0.5 V | 0<br>100<br>20  | ns/V |

## Device Junction Temperature versus Time to 0.1% Bond Failures

| Junction Temperature °C | Time, Hours | Time, Years |
|-------------------------|-------------|-------------|
| 80                      | 1,032,200   | 117.8       |
| 90                      | 419,300     | 47.9        |
| 100                     | 178,700     | 20.4        |
| 110                     | 79,600      | 9.4         |
| 120                     | 37,000      | 4.2         |
| 130                     | 17,800      | 2.0         |
| 140                     | 8,900       | 1.0         |

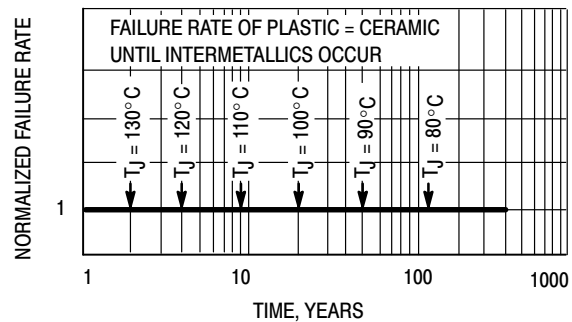


Figure 3. Failure Rate vs. Time Junction Temperature

# MC74VHC1G126

## DC ELECTRICAL CHARACTERISTICS

| Symbol          | Parameter   | Test Conditions  | V <sub>CC</sub> (V)      | T <sub>A</sub> = 25°C      |                   |                            | T <sub>A</sub> ≤ 85°C      |                            | -55 ≤ T <sub>A</sub> ≤ 125°C |                            | Unit |
|-----------------|---|--|--------------------------|----------------------------|-------------------|----------------------------|----------------------------|----------------------------|------------------------------|----------------------------|------|
|                 |   |  |                          | Min                        | Typ               | Max                        | Min                        | Max                        | Min                          | Max                        |      |
| V <sub>IH</sub> | Minimum High-Level Input Voltage  |  | 2.0<br>3.0<br>4.5<br>5.5 | 1.5<br>2.1<br>3.15<br>3.85 |                   |                            | 1.5<br>2.1<br>3.15<br>3.85 |                            | 1.5<br>2.1<br>3.15<br>3.85   | V                          |      |
| V <sub>IL</sub> | Maximum Low-Level Input Voltage   |  | 2.0<br>3.0<br>4.5<br>5.5 |                            |                   | 0.5<br>0.9<br>1.35<br>1.65 |                            | 0.5<br>0.9<br>1.35<br>1.65 |                              | 0.5<br>0.9<br>1.35<br>1.65 | V    |
| V <sub>OH</sub> | Minimum High-Level Output Voltage<br>V <sub>IN</sub> = V <sub>IH</sub> or V <sub>IL</sub> | V <sub>IN</sub> = V <sub>IH</sub> or V <sub>IL</sub><br>I <sub>OH</sub> = -50 μA                           | 2.0<br>3.0<br>4.5        | 1.9<br>2.9<br>4.4          | 2.0<br>3.0<br>4.5 |                            | 1.9<br>2.9<br>4.4          |                            | 1.9<br>2.9<br>4.4            | V                          |      |
|                 |   | V <sub>IN</sub> = V <sub>IH</sub> or V <sub>IL</sub><br>I <sub>OH</sub> = -4 mA<br>I <sub>OH</sub> = -8 mA | 3.0<br>4.5               | 2.58<br>3.94               |                   |                            | 2.48<br>3.80               |                            | 2.34<br>3.66                 | V                          |      |
| V <sub>OL</sub> | Maximum Low-Level Output Voltage<br>V <sub>IN</sub> = V <sub>IH</sub> or V <sub>IL</sub>  | V <sub>IN</sub> = V <sub>IH</sub> or V <sub>IL</sub><br>I <sub>OL</sub> = 50 μA                            | 2.0<br>3.0<br>4.5        |                            | 0.0<br>0.0<br>0.0 | 0.1<br>0.1<br>0.1          |                            | 0.1<br>0.1<br>0.1          |                              | 0.1<br>0.1<br>0.1          | V    |
|                 |   | V <sub>IN</sub> = V <sub>IH</sub> or V <sub>IL</sub><br>I <sub>OL</sub> = 4 mA<br>I <sub>OL</sub> = 8 mA   | 3.0<br>4.5               |                            |                   | 0.36<br>0.36               | 0.44<br>0.44               |                            | 0.52<br>0.52                 | V                          |      |
| I <sub>OZ</sub> | Maximum 3-State Leakage Current   | V <sub>IN</sub> = V <sub>IH</sub> or V <sub>IL</sub><br>V <sub>OUT</sub> = V <sub>CC</sub> or GND          | 5.5                      |                            |                   | ±0.2<br>5                  |                            | ±2.5                       |                              | ±2.5                       | μA   |
| I <sub>IN</sub> | Maximum Input Leakage Current   | V <sub>IN</sub> = 5.5 V or GND   | 0 to 5.5                 |                            |                   | ±0.1                       |                            | ±1.0                       |                              | ±1.0                       | μA   |
| I <sub>CC</sub> | Maximum Quiescent Supply Current  | V <sub>IN</sub> = V <sub>CC</sub> or GND   | 5.5                      |                            |                   | 1.0                        |                            | 20                         |                              | 40                         | μA   |

## AC ELECTRICAL CHARACTERISTICS C<sub>load</sub> = 50 pF, Input t<sub>r</sub> = t<sub>f</sub> = 3.0 ns

| Symbol                                 | Parameter   | Test Conditions  | T <sub>A</sub> = 25°C |            |             | T <sub>A</sub> ≤ 85°C |              | -55 ≤ T <sub>A</sub> ≤ 125°C |              | Unit |
|--|---|--|-----------------------|------------|-------------|-----------------------|--------------|------------------------------|--------------|------|
|  |   |  | Min                   | Typ        | Max         | Min                   | Max          | Min                          | Max          |      |
| t <sub>PLH</sub> ,<br>t <sub>PHL</sub> | Maximum Propagation Delay, Input A to Y (Figures 3. and 5.)         | V <sub>CC</sub> = 3.3 ± 0.3 V C <sub>L</sub> = 15 pF<br>C <sub>L</sub> = 50 pF                         |                       | 4.5<br>6.4 | 8.0<br>11.5 |                       | 9.5<br>13.0  |                              | 12.0<br>16.0 | ns   |
|  |   | V <sub>CC</sub> = 5.0 ± 0.5 V C <sub>L</sub> = 15 pF<br>C <sub>L</sub> = 50 pF                         |                       | 3.5<br>4.5 | 5.5<br>7.5  |                       | 6.5<br>8.5   |                              | 8.5<br>10.5  |      |
| t <sub>PZL</sub> ,<br>t <sub>PZH</sub> | Maximum Output Enable Time, Input OE to Y (Figures 4. and 5.)       | V <sub>CC</sub> = 3.3 ± 0.3 V C <sub>L</sub> = 15 pF<br>R <sub>L</sub> = 1000 Ω C <sub>L</sub> = 50 pF |                       | 4.5<br>6.4 | 8.0<br>11.5 |                       | 9.5<br>13.0  |                              | 11.5<br>15.0 | ns   |
|  |   | V <sub>CC</sub> = 5.0 ± 0.5 V C <sub>L</sub> = 15 pF<br>R <sub>L</sub> = 1000 Ω C <sub>L</sub> = 50 pF |                       | 3.5<br>4.5 | 5.1<br>7.1  |                       | 6.0<br>8.0   |                              | 8.5<br>10.5  |      |
| t <sub>PLZ</sub> ,<br>t <sub>PHZ</sub> | Maximum Output Disable Time, Input OE to Y (Figures 4. and 5.)      | V <sub>CC</sub> = 3.3 ± 0.3 V C <sub>L</sub> = 15 pF<br>R <sub>L</sub> = 1000 Ω C <sub>L</sub> = 50 pF |                       | 6.5<br>8.0 | 9.7<br>13.2 |                       | 11.5<br>15.0 |                              | 14.5<br>18.0 | ns   |
|  |   | V <sub>CC</sub> = 5.0 ± 0.5 V C <sub>L</sub> = 15 pF<br>R <sub>L</sub> = 1000 Ω C <sub>L</sub> = 50 pF |                       | 4.8<br>7.0 | 6.8<br>8.8  |                       | 8.0<br>10.0  |                              | 10.0<br>12.0 |      |
| C <sub>IN</sub>                        | Maximum Input Capacitance   |  |                       | 4.0        | 10          |                       | 10           |                              | 10           | pF   |
| C <sub>OUT</sub>                       | Maximum 3-State Output Capacitance (Output in High Impedance State) |  |                       | 6.0        |             |                       |              |                              |              | pF   |
| C <sub>PD</sub>                        | Power Dissipation Capacitance (Note 5)                              | <b>Typical @ 25°C, V<sub>CC</sub> = 5.0 V</b>  |                       |            |             |                       |              |                              |              | pF   |
|  |   | 8.0  |                       |            |             |                       |              |                              |              |      |

5. C<sub>PD</sub> is defined as the value of the internal equivalent capacitance which is calculated from the operating current consumption without load. Average operating current can be obtained by the equation: I<sub>CC(OPR)</sub> = C<sub>PD</sub> • V<sub>CC</sub> • f<sub>in</sub> + I<sub>CC</sub>. C<sub>PD</sub> is used to determine the no-load dynamic power consumption; P<sub>D</sub> = C<sub>PD</sub> • V<sub>CC</sub><sup>2</sup> • f<sub>in</sub> + I<sub>CC</sub> • V<sub>CC</sub>.

# MC74VHC1G126

## SWITCHING WAVEFORMS

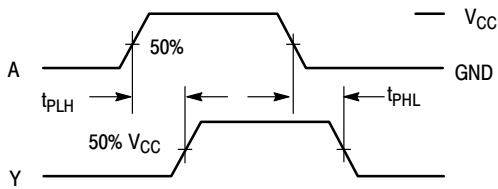


Figure 4. Switching Waveforms

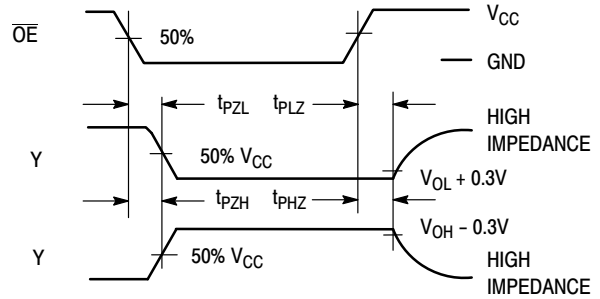
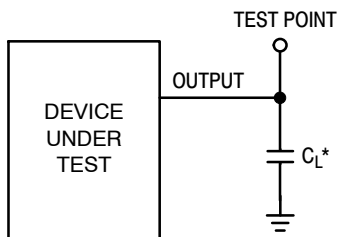
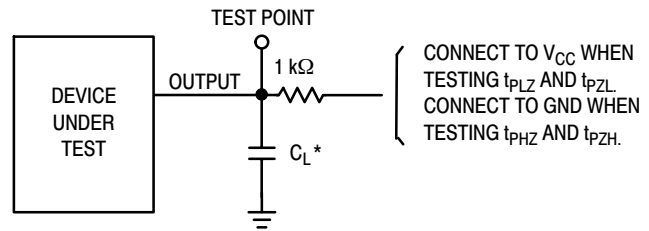


Figure 5.



\*Includes all probe and jig capacitance

Figure 6. Test Circuit



\*Includes all probe and jig capacitance

Figure 7. Test Circuit

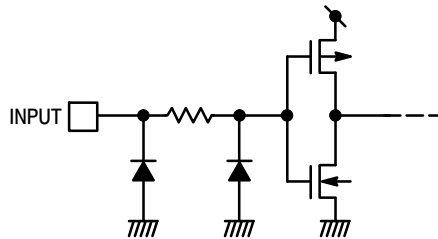


Figure 8. Input Equivalent Circuit

## ORDERING INFORMATION

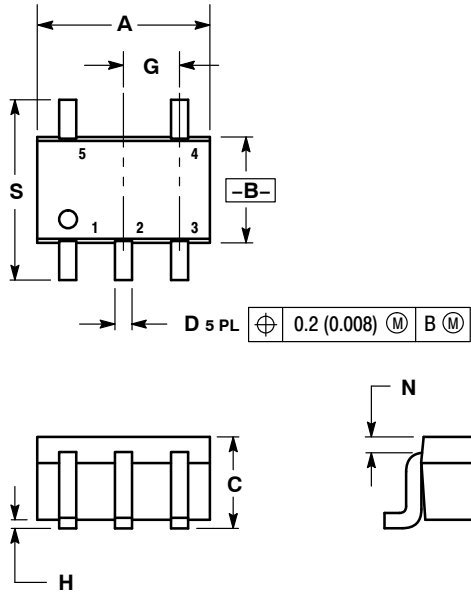
| Device           | Package                           | Shipping†                |
|------------------|-----------------------------------|--------------------------|
| M74VHC1G126DFT1G | SC-88A/SOT-353/SC-70<br>(Pb-Free) | 3000 Units / Tape & Reel |
| M74VHC1G126DFT2G | SC-88A/SOT-353/SC-70<br>(Pb-Free) |                          |
| M74VHC1G126DTT1G | TSOP-5/SOT-23/SC-59<br>(Pb-Free)  |                          |

†For information on tape and reel specifications, including part orientation and tape sizes, please refer to our Tape and Reel Packaging Specifications Brochure, BRD8011/D.

# MC74VHC1G126

## PACKAGE DIMENSIONS

SC-88A (SC-70-5/SOT-353)  
CASE 419A-02  
ISSUE K



### NOTES:

1. DIMENSIONING AND TOLERANCING PER ANSI Y14.5M, 1982.
2. CONTROLLING DIMENSION: INCH.
3. 419A-01 OBSOLETE. NEW STANDARD 419A-02.
4. DIMENSIONS A AND B DO NOT INCLUDE MOLD FLASH, PROTRUSIONS, OR GATE BURRS.

| DIM | INCHES    |       | MILLIMETERS |      |
|-----|-----------|-------|-------------|------|
|     | MIN       | MAX   | MIN         | MAX  |
| A   | 0.071     | 0.087 | 1.80        | 2.20 |
| B   | 0.045     | 0.053 | 1.15        | 1.35 |
| C   | 0.031     | 0.043 | 0.80        | 1.10 |
| D   | 0.004     | 0.012 | 0.10        | 0.30 |
| G   | 0.026 BSC |       | 0.65 BSC    |      |
| H   | ---       | 0.004 | ---         | 0.10 |
| J   | 0.004     | 0.010 | 0.10        | 0.25 |
| K   | 0.004     | 0.012 | 0.10        | 0.30 |
| N   | 0.008 REF |       | 0.20 REF    |      |
| S   | 0.079     | 0.087 | 2.00        | 2.20 |

# MC74VHC1G126

## PACKAGE DIMENSIONS

TSOP-5  
CASE 483-02  
ISSUE H

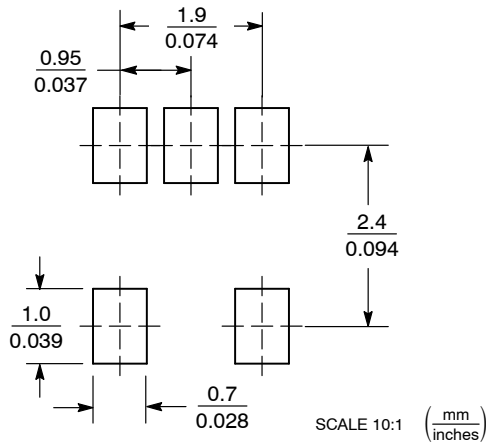


### NOTES:

1. DIMENSIONING AND TOLERANCING PER ASME Y14.5M, 1994.
2. CONTROLLING DIMENSION: MILLIMETERS.
3. MAXIMUM LEAD THICKNESS INCLUDES LEAD FINISH THICKNESS. MINIMUM LEAD THICKNESS IS THE MINIMUM THICKNESS OF BASE MATERIAL.
4. DIMENSIONS A AND B DO NOT INCLUDE MOLD FLASH, PROTRUSIONS, OR GATE BURRS.
5. OPTIONAL CONSTRUCTION: AN ADDITIONAL TRIMMED LEAD IS ALLOWED IN THIS LOCATION. TRIMMED LEAD NOT TO EXTEND MORE THAN 0.2 FROM BODY.

| DIM | MILLIMETERS |      |
|-----|-------------|------|
|     | MIN         | MAX  |
| A   | 3.00        | BSC  |
| B   | 1.50        | BSC  |
| C   | 0.90        | 1.10 |
| D   | 0.25        | 0.50 |
| G   | 0.95        | BSC  |
| H   | 0.01        | 0.10 |
| J   | 0.10        | 0.26 |
| K   | 0.20        | 0.60 |
| L   | 1.25        | 1.55 |
| M   | 0°          | 10°  |
| S   | 2.50        | 3.00 |

### SOLDERING FOOTPRINT\*



\*For additional information on our Pb-Free strategy and soldering details, please download the ON Semiconductor Soldering and Mounting Techniques Reference Manual, SOLDERRM/D.

ON Semiconductor and are registered trademarks of Semiconductor Components Industries, LLC (SCILLC). SCILLC reserves the right to make changes without further notice to any products herein. SCILLC makes no warranty, representation or guarantee regarding the suitability of its products for any particular purpose, nor does SCILLC assume any liability arising out of the application or use of any product or circuit, and specifically disclaims any and all liability, including without limitation special, consequential or incidental damages. "Typical" parameters which may be provided in SCILLC data sheets and/or specifications can and do vary in different applications and actual performance may vary over time. All operating parameters, including "Typicals" must be validated for each customer application by customer's technical experts. SCILLC does not convey any license under its patent rights nor the rights of others. SCILLC products are not designed, intended, or authorized for use as components in systems intended for surgical implant into the body, or other applications intended to support or sustain life, or for any other application in which the failure of the SCILLC product could create a situation where personal injury or death may occur. Should Buyer purchase or use SCILLC products for any such unintended or unauthorized application, Buyer shall indemnify and hold SCILLC and its officers, employees, subsidiaries, affiliates, and distributors harmless against all claims, costs, damages, and expenses, and reasonable attorney fees arising out of, directly or indirectly, any claim of personal injury or death associated with such unintended or unauthorized use, even if such claim alleges that SCILLC was negligent regarding the design or manufacture of the part. SCILLC is an Equal Opportunity/Affirmative Action Employer. This literature is subject to all applicable copyright laws and is not for resale in any manner.

### PUBLICATION ORDERING INFORMATION

**LITERATURE FULFILLMENT:**  
Literature Distribution Center for ON Semiconductor  
P.O. Box 5163, Denver, Colorado 80217 USA  
**Phone:** 303-675-2175 or 800-344-3860 Toll Free USA/Canada  
**Fax:** 303-675-2176 or 800-344-3867 Toll Free USA/Canada  
**Email:** orderlit@onsemi.com

**N. American Technical Support:** 800-282-9855 Toll Free  
USA/Canada  
**Europe, Middle East and Africa Technical Support:**  
Phone: 421 33 790 2910  
**Japan Customer Focus Center**  
Phone: 81-3-5773-3850

**ON Semiconductor Website:** [www.onsemi.com](http://www.onsemi.com)  
**Order Literature:** <http://www.onsemi.com/orderlit>  
For additional information, please contact your local Sales Representative



Компания «ЭлектроПласт» предлагает заключение долгосрочных отношений при поставках импортных электронных компонентов на взаимовыгодных условиях!

Наши преимущества:

- Оперативные поставки широкого спектра электронных компонентов отечественного и импортного производства напрямую от производителей и с крупнейших мировых складов;
- Поставка более 17-ти миллионов наименований электронных компонентов;
- Поставка сложных, дефицитных, либо снятых с производства позиций;
- Оперативные сроки поставки под заказ (от 5 рабочих дней);
- Экспресс доставка в любую точку России;
- Техническая поддержка проекта, помощь в подборе аналогов, поставка прототипов;
- Система менеджмента качества сертифицирована по Международному стандарту ISO 9001;
- Лицензия ФСБ на осуществление работ с использованием сведений, составляющих государственную тайну;
- Поставка специализированных компонентов (Xilinx, Altera, Analog Devices, Intersil, Interpoint, Microsemi, Aeroflex, Peregrine, Syfer, Eurofarad, Texas Instrument, Miteq, Cobham, E2V, MA-COM, Hittite, Mini-Circuits, General Dynamics и др.);

Помимо этого, одним из направлений компании «ЭлектроПласт» является направление «Источники питания». Мы предлагаем Вам помощь Конструкторского отдела:

- Подбор оптимального решения, техническое обоснование при выборе компонента;
- Подбор аналогов;
- Консультации по применению компонента;
- Поставка образцов и прототипов;
- Техническая поддержка проекта;
- Защита от снятия компонента с производства.



#### Как с нами связаться

**Телефон:** 8 (812) 309 58 32 (многоканальный)

**Факс:** 8 (812) 320-02-42

**Электронная почта:** [org@eplast1.ru](mailto:org@eplast1.ru)

**Адрес:** 198099, г. Санкт-Петербург, ул. Калинина, дом 2, корпус 4, литера А.