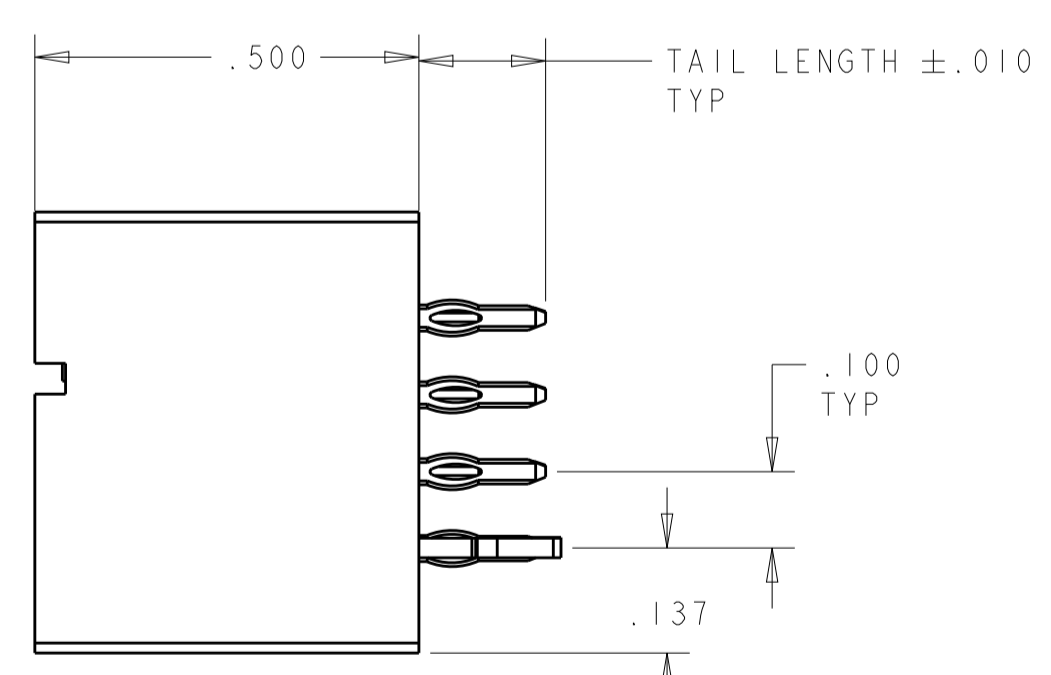
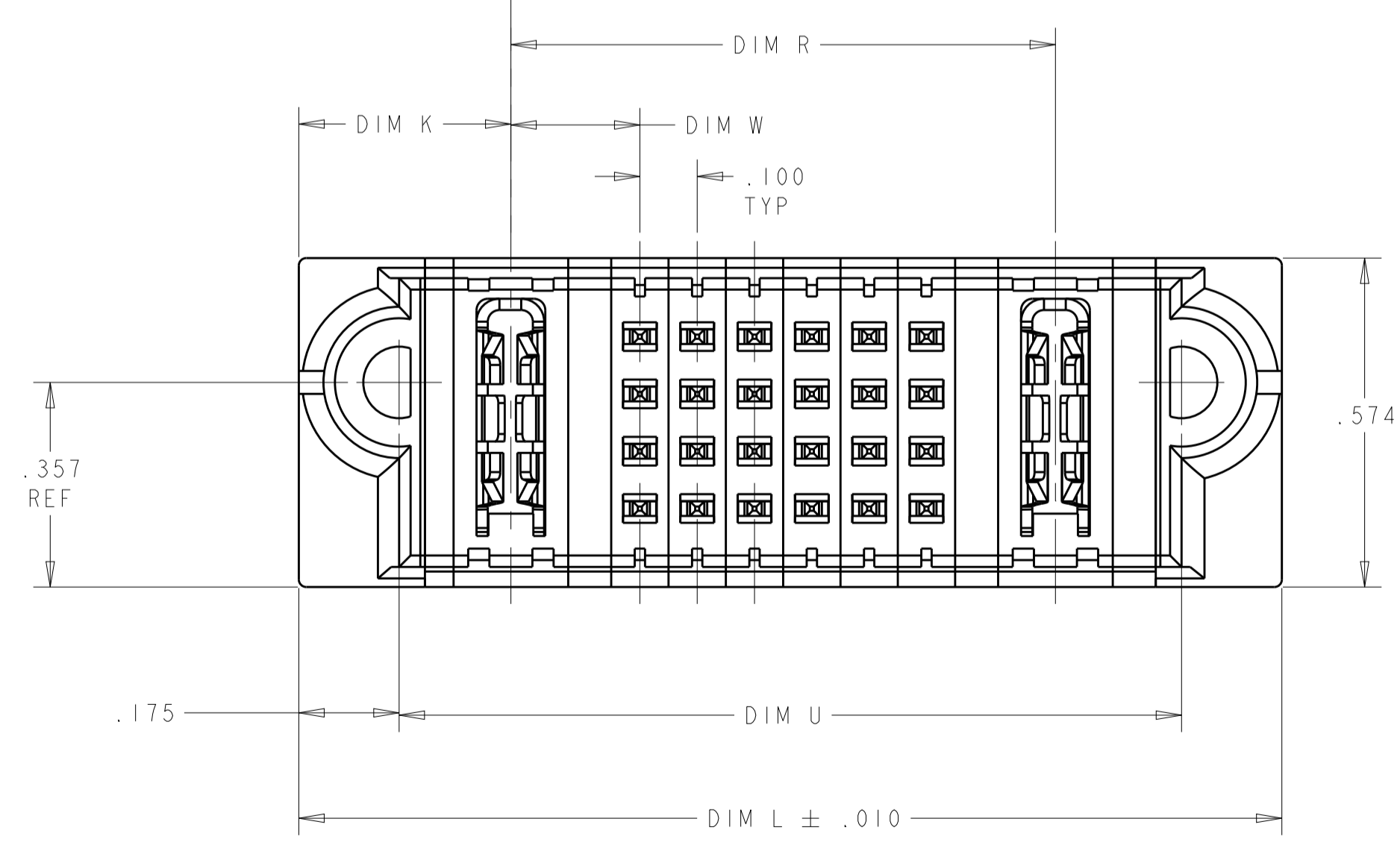
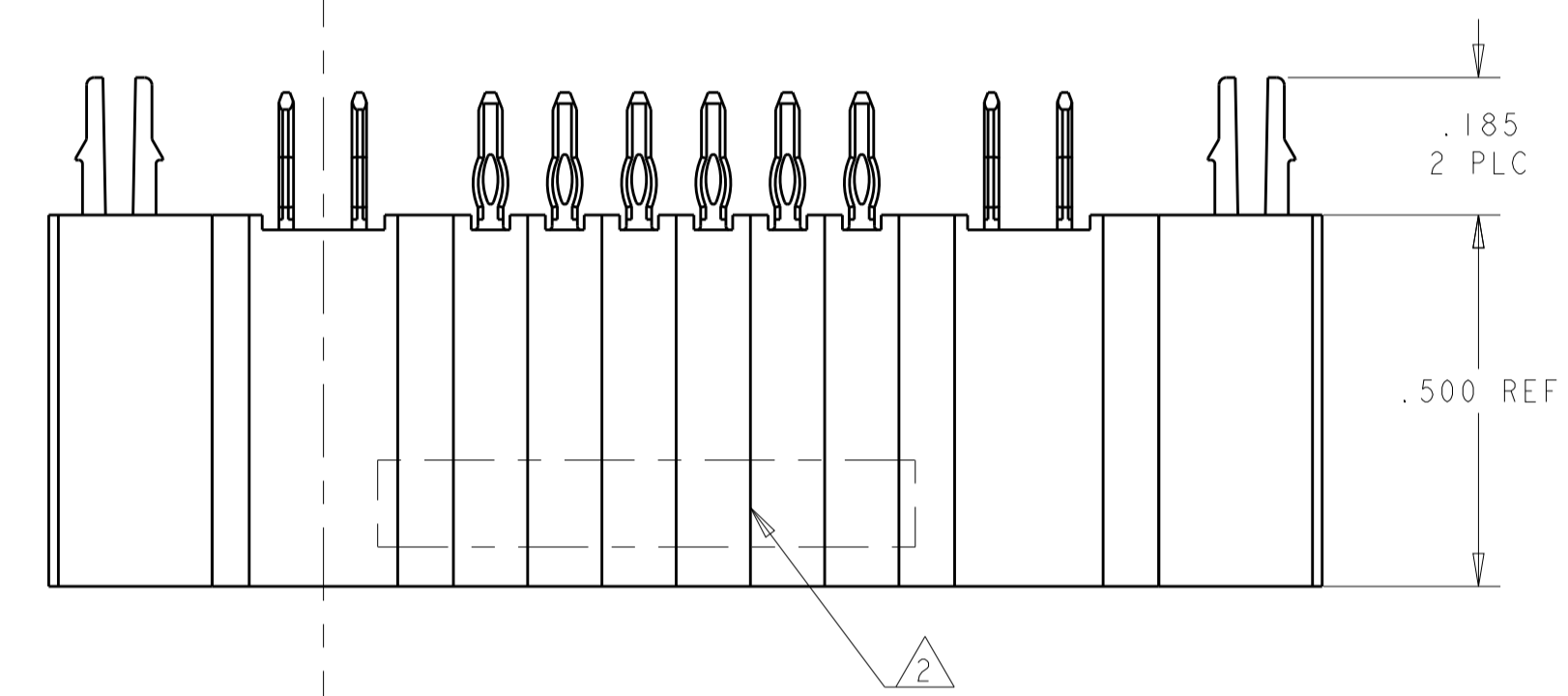
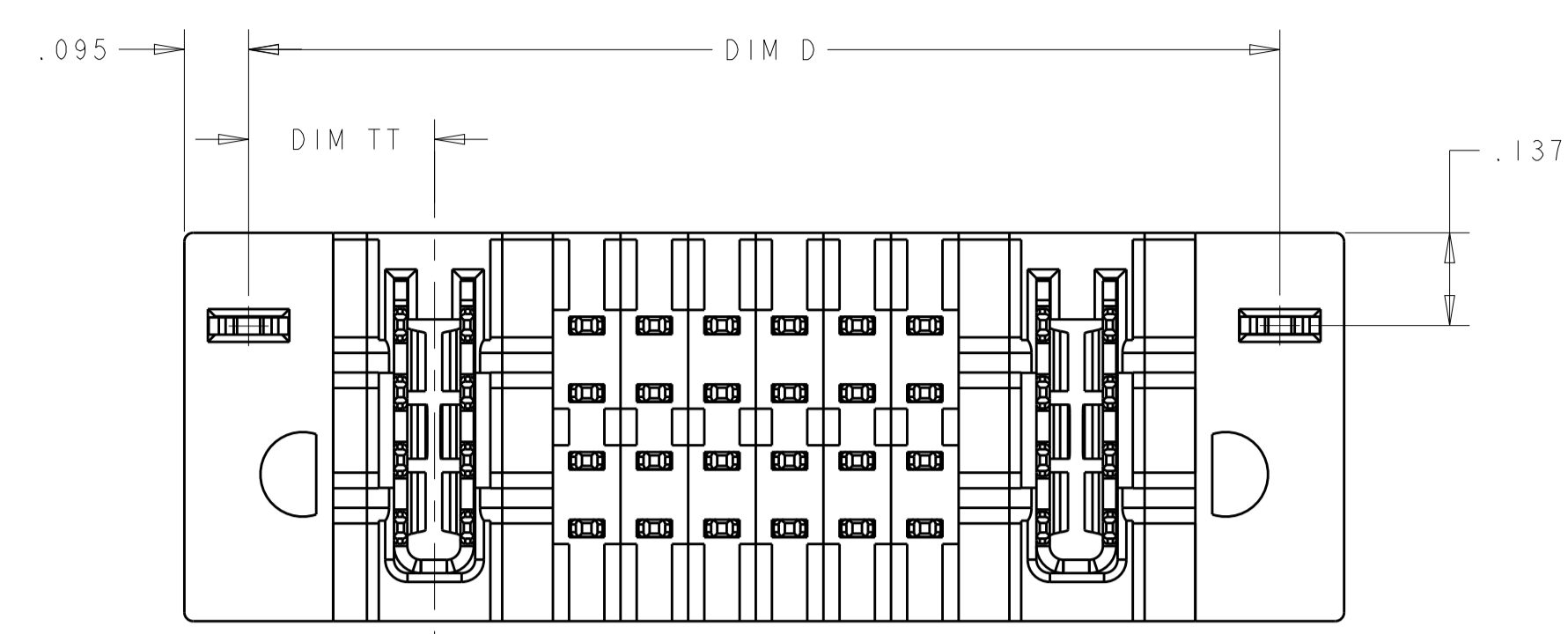
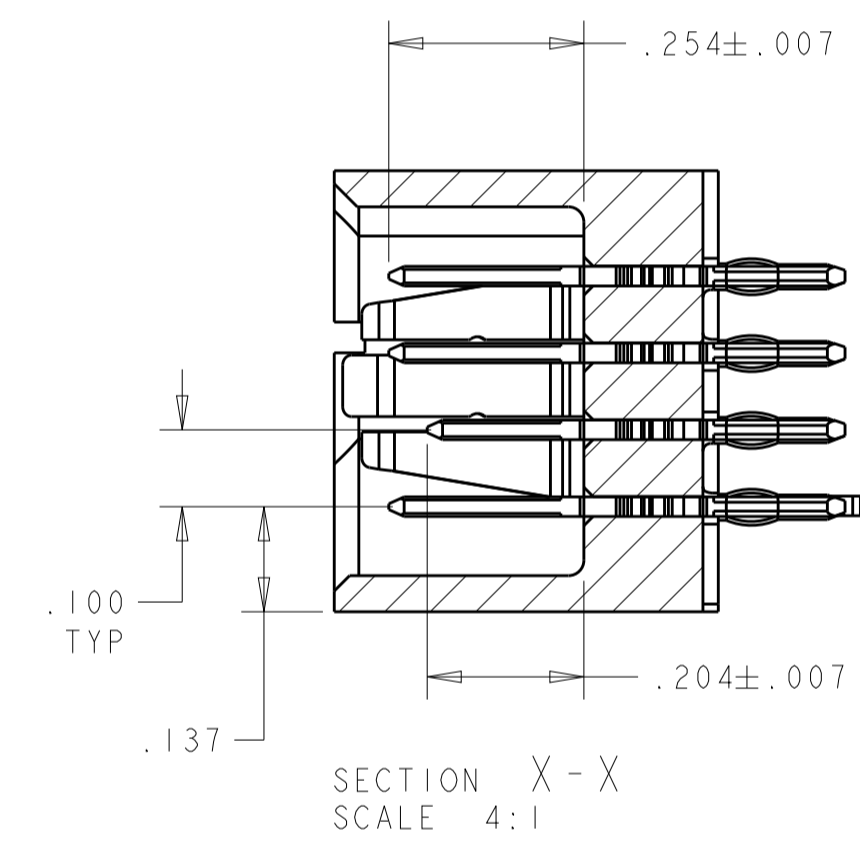


| LOC |     | DIST                       |           | REVISIONS |      |  |  |
|-----|-----|----------------------------|-----------|-----------|------|--|--|
| P   | LTN | DESCRIPTION                | DATE      | OWN       | APVD |  |  |
| G6  |     | ADD NEW PART -25           | 19AUG2013 | AY        | SZ   |  |  |
| G7  |     | UPDATE -25 MATING SEQUENCE | 29AUG2013 | AY        | SZ   |  |  |
| G8  |     | UPDATE -25 MATING SEQUENCE | 30AUG2013 | AY        | SZ   |  |  |



- 1 HEADER HOUSING: THERMO PLASTIC, BLACK, UL94 V-O; CONTACTS AND RETENTION CLIPS: COPPER ALLOY.
- 2 CONTACT PLATING: NOBLE METAL PLATING ON CONTACT FUNCTIONAL AREA OF POWER AND SIGNAL CONTACTS
- 3 "AMP", PART NUMBER AND DATE CODE MARKED IN THIS AREA. PARTS UNDER 2.50 LONG MAY BE MARKED ON BOTH SIDES.
- 4 DATUM AND BASIC DIMENSIONS ESTABLISHED BY CUSTOMER.
- 5 PCB - ALL HOLE DIAMETERS ARE FINISHED HOLE SIZES.
- 6 A SEATING TOOL IS REQUIRED TO SEAT THE HEADER ON THE P.C. BOARD. PLEASE REFER TO THE 114-13251 APPLICATION SPEC.
- 7 MECHANICAL CONNECTOR KEEP OUT ZONE.
- 8 DETAIL DIM SEE PART VIEW
- 9 FOR THE CONFIGURATION WITH VENT, PLEASE REFER TO SHEET 2.
- 10 FOR THE CONFIGURATION LP/S/LP WITH VENT, PLEASE REFER TO SHEET 3.
- 11 FOR THE CONFIGURATION LP/S/P, WITH VENT, PLEASE REFER TO SHEET 4.



|       |       |        |       |       |       |        |       |       |                   |             |
|-------|-------|--------|-------|-------|-------|--------|-------|-------|-------------------|-------------|
| .240  | .165  | .1825  | 2.220 | 1.870 | 2.030 | 1.145  | .7125 | .2775 | 3LP + 16S + 4LP   | 2-6450820-5 |
| .200  | -     | .225   | 3.065 | 2.715 | 2.875 | -      | 1.975 | .320  | 10HDP + 24S       | 2-6450820-3 |
| .300  | -     | .275   | 1.790 | 1.440 | 1.600 | -      | 1.150 | .370  | 4ACP + 4S         | 2-6450820-2 |
| .115  | .250  | .2075  | 2.555 | 2.205 | 2.365 | 1.4075 | .7325 | .3025 | 6LP + 24S + 3P    | 2-6450820-1 |
| -     | -     | .1825  | 1.120 | .770  | .930  | .565   | .1575 | .2775 | 1LP + 16S + 1LP   | 2-6450820-0 |
| .250  | .250  | .250   | 3.540 | 3.190 | 3.350 | 1.850  | 1.175 | .345  | 5P + 24S + 5P     | 1-6450820-9 |
| .250  | .250  | .225   | 4.140 | 3.790 | 3.950 | 2.500  | 1.200 | .320  | 5P + 48S + 5P     | 1-6450820-8 |
| .250  | -     | .225   | 4.640 | 4.290 | 4.450 | -      | 2.950 | .320  | 12P + 48S         | 1-6450820-7 |
| .250  | -     | .225   | 2.415 | 2.065 | 2.225 | -      | 1.425 | .320  | 6P + 20S          | 1-6450820-5 |
| -     | .300  | .175   | 2.665 | 2.315 | 2.475 | .575   | -     | .270  | 20S + 6ACP        | 1-6450820-4 |
| .300  | .300  | .225   | 2.840 | 2.490 | 2.650 | 1.600  | .850  | .320  | 3ACP + 24S + 3ACP | 1-6450820-3 |
| .250  | .250  | .250   | 4.040 | 3.690 | 3.850 | 2.100  | 1.425 | .345  | 6P + 24S + 6P     | 1-6450820-1 |
| .250  | .250  | .225   | 6.240 | 5.890 | 6.050 | 3.850  | 1.950 | .320  | 8P + 72S + 8P     | 6450820-9   |
| .250  | .250  | .225   | 6.240 | 5.890 | 6.050 | 3.850  | 1.950 | .320  | 8P + 72S + 8P     | 6450820-8   |
| 8     | 8     | .250   | 5.390 | 5.040 | 5.200 | 8      | 8     | .345  | 14P + 40S         | 6450820-7   |
| 8     | 8     | .250   | 5.390 | 5.040 | 5.200 | 8      | 8     | .345  | 14P + 40S         | 6450820-6   |
| .250  | .250  | .250   | 2.640 | 2.290 | 2.450 | 1.200  | .925  | .345  | 4P + 8S + 4P      | 6450820-5   |
| .250  | .250  | .250   | 3.640 | 3.290 | 3.450 | 1.700  | 1.425 | .345  | 6P + 8S + 6P      | 6450820-4   |
| .250  | .250  | .275   | 2.790 | 2.440 | 2.600 | 1.550  | .675  | .370  | 3P + 32S + 3P     | 6450820-3   |
| -     | -     | .250   | 1.540 | 1.190 | 1.350 | .850   | .175  | .345  | 1P + 24S + 1P     | 6450820-2   |
| -     | -     | .275   | 1.715 | 1.365 | 1.525 | .950   | .225  | .370  | 1P + 24S + 1P     | 6450820-1   |
| DIM S | DIM T | DIM TT | DIM L | DIM U | DIM D | DIM R  | DIM W | DIM K | DESCRIPTION       | PART NUMBER |

THIS DRAWING IS A CONTROLLED DOCUMENT. DWN: D. ZHU 15NOV2007  
 CHK: S. ZHAO 15NOV2007

DIMENSIONS: INCHES TOLERANCES UNLESS OTHERWISE SPECIFIED:  
 0 PLC ±.01  
 1 PLC ±.01  
 2 PLC ±.01  
 3 PLC ±.005  
 4 PLC ±.005  
 ANGLES ±.0020

MATERIAL: FINISH:

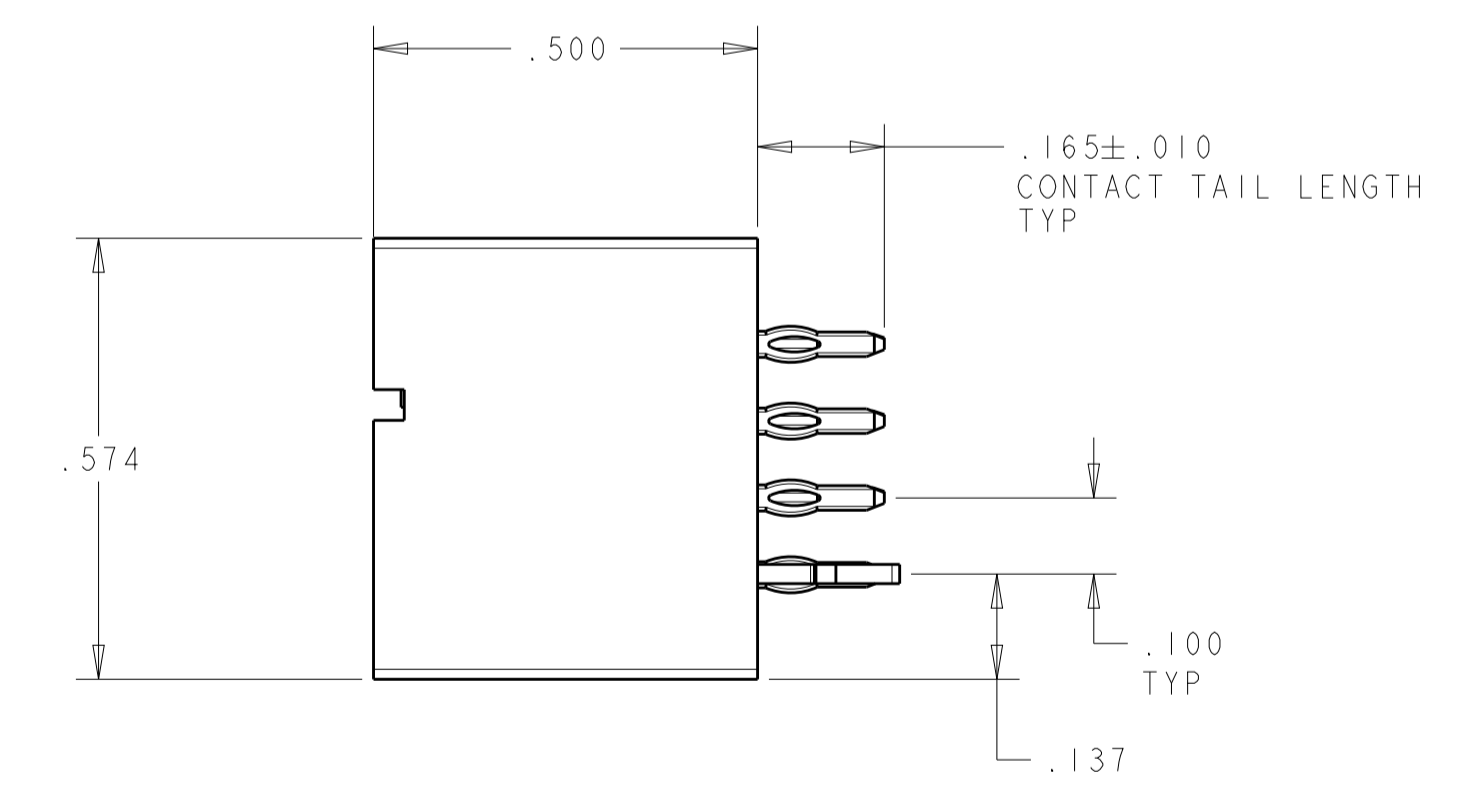
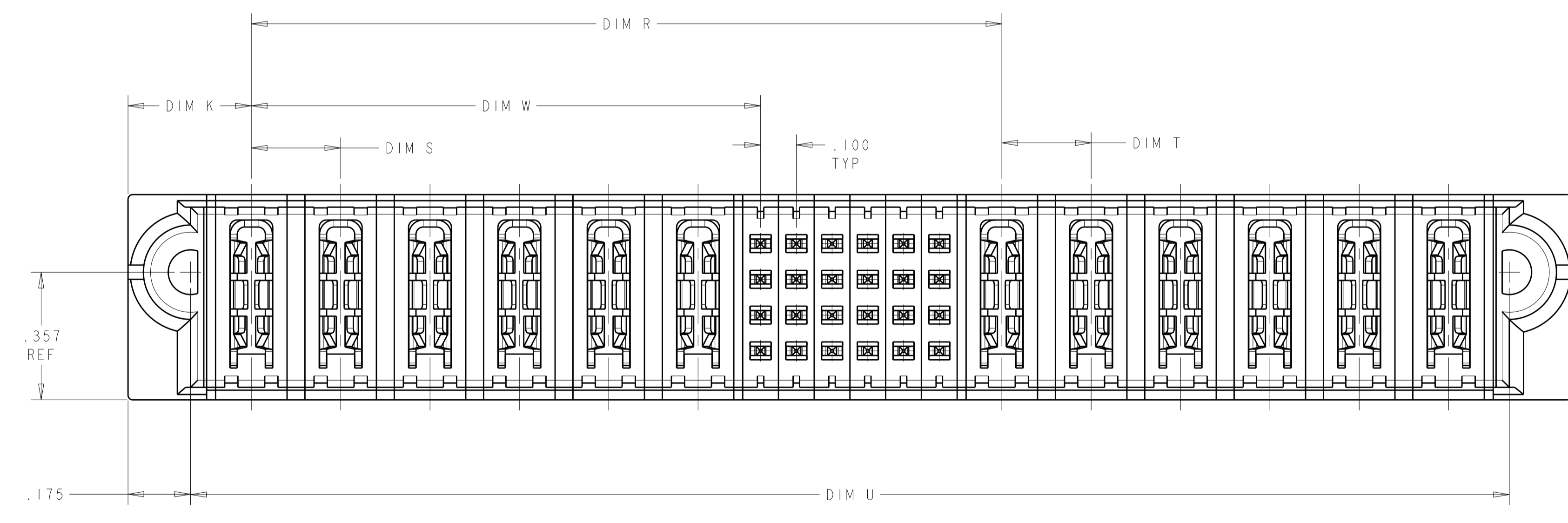
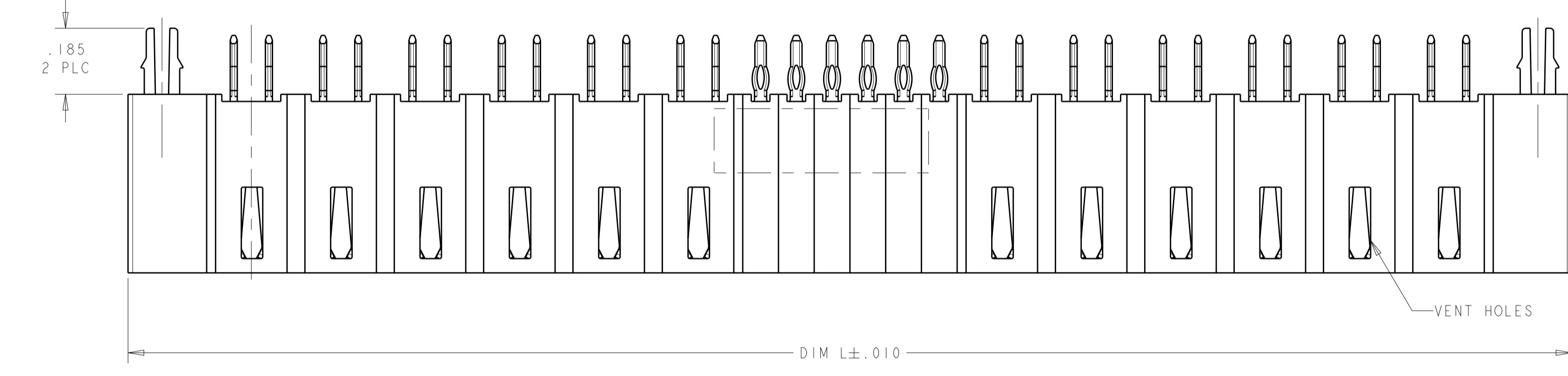
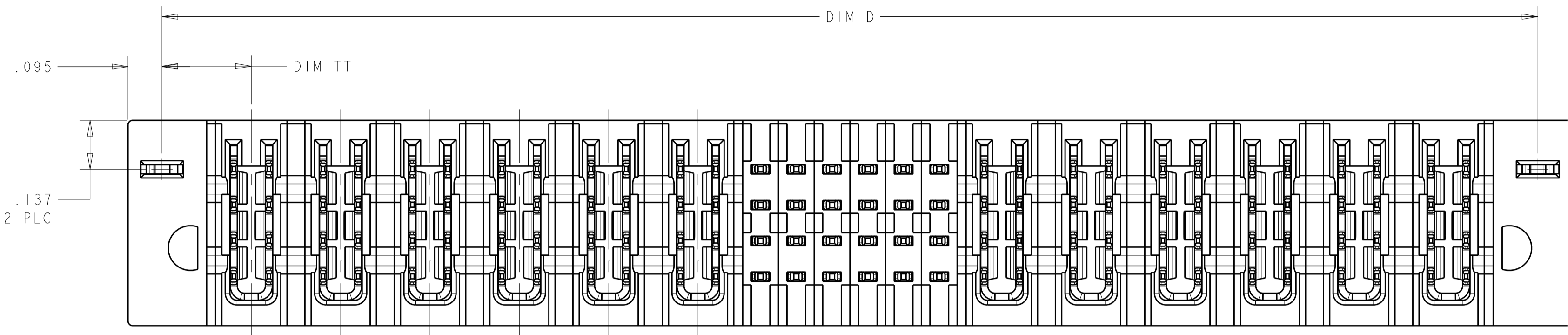
Customer Drawing

APVD: S. ZHAO  
 PRODUCT SPEC: 108-2292  
 APPLICATION SPEC: 114-13251  
 WEIGHT: -


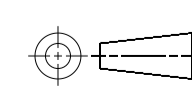
NAME: VERTICAL HEADER ASSEMBLY W/ SHORT END MODULES, PRESS FIT MULTI-BEAM XLE  
 SIZE: A100779 C=6450820  
 SCALE: - SHEET 1 OF 20 REV: G8

TE Connectivity

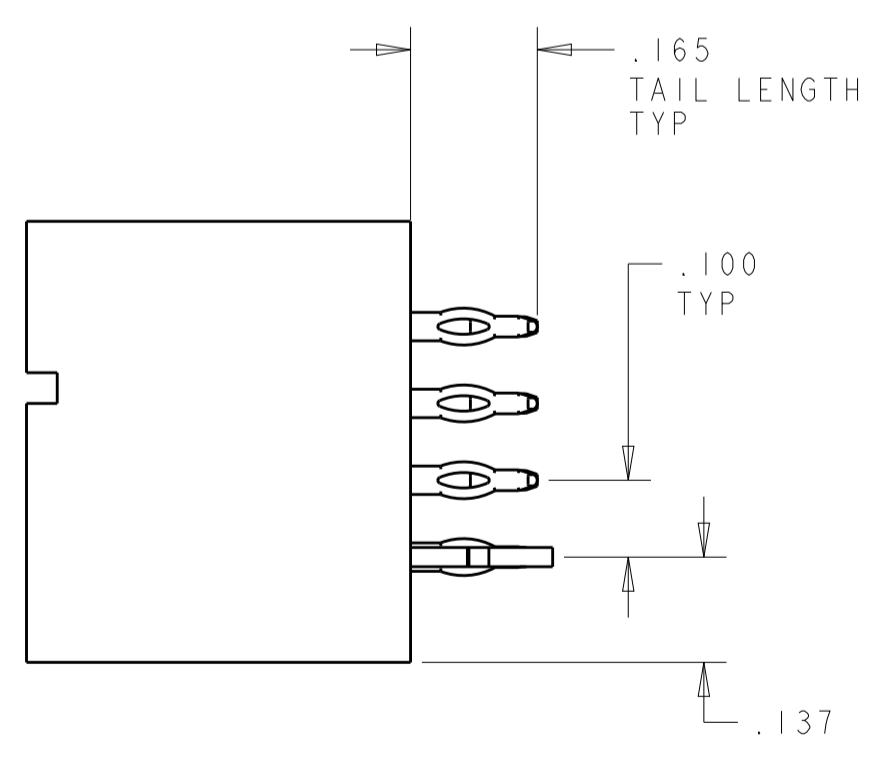
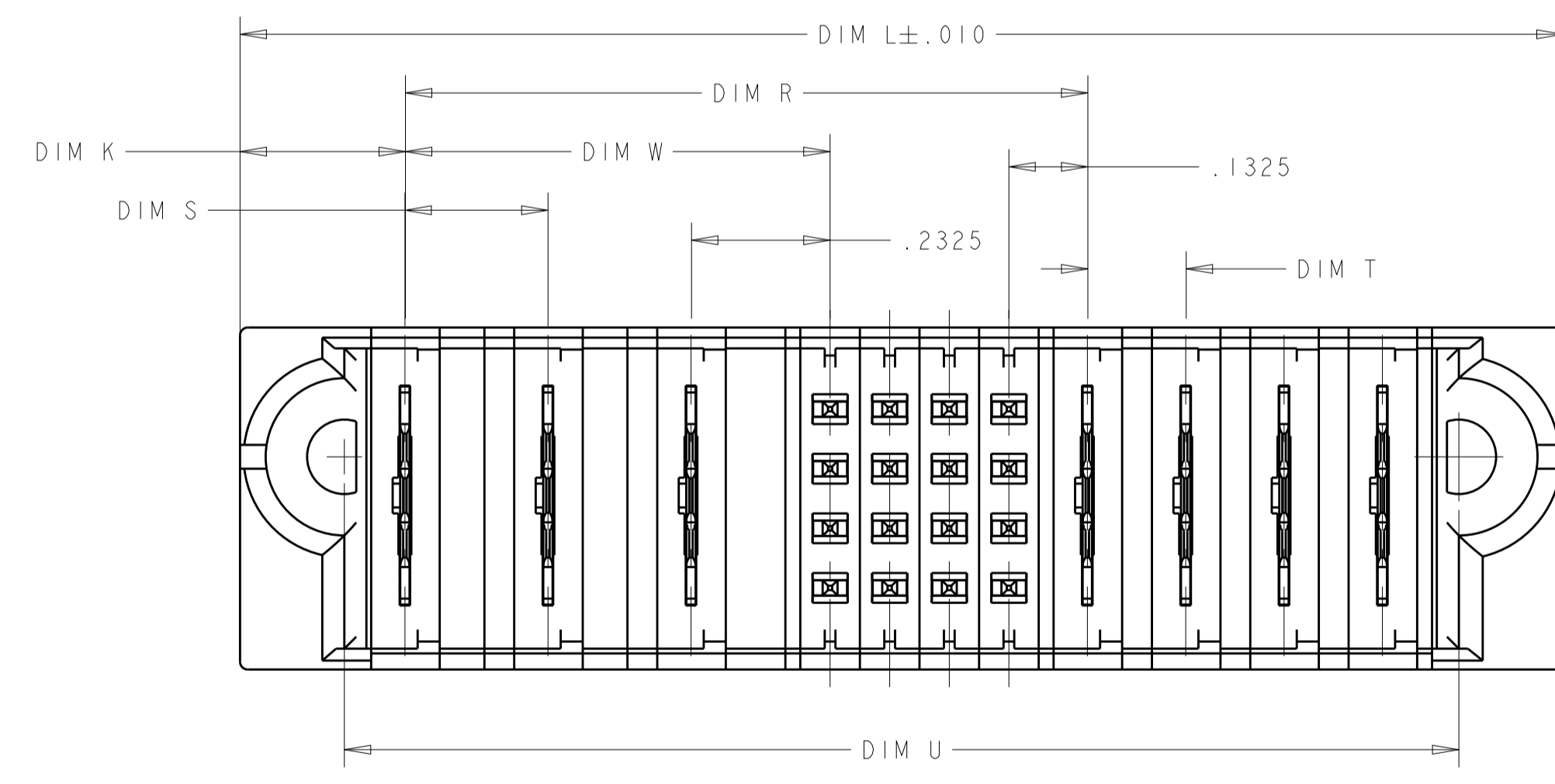
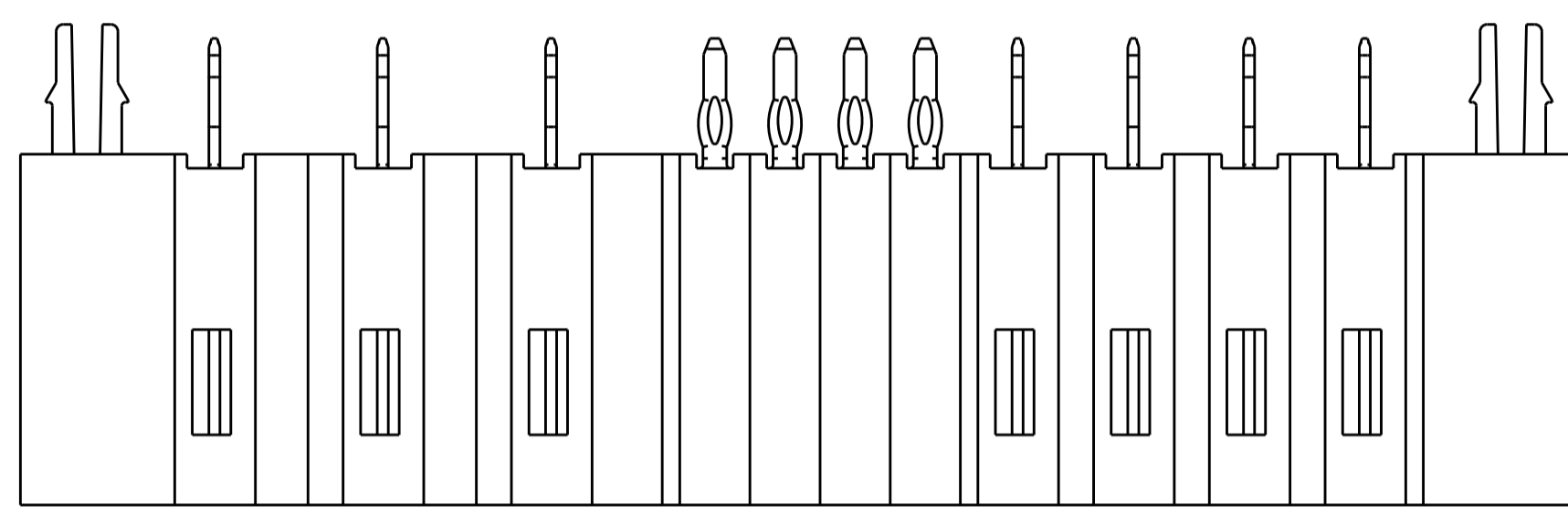
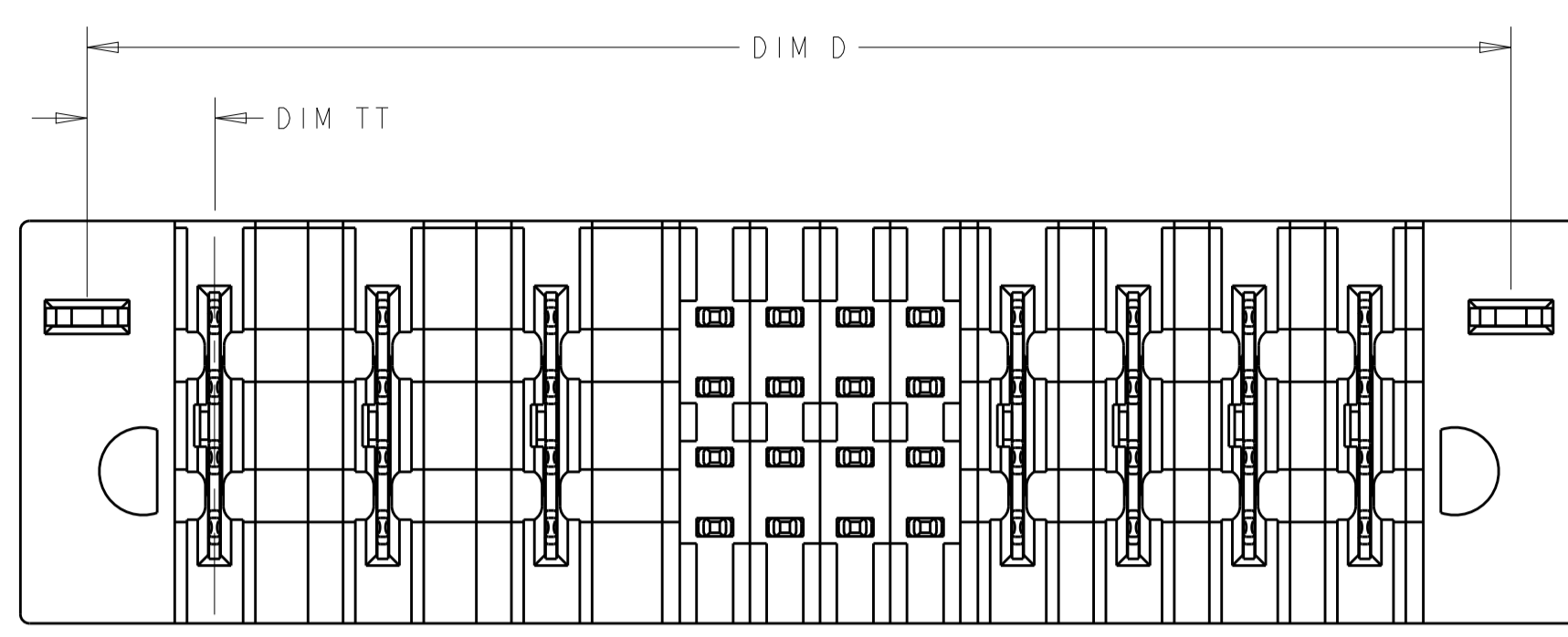
| LOC |    | DIST |     | REVISIONS   |      |     |      |
|-----|----|------|-----|-------------|------|-----|------|
| ES  | 00 | P    | LTN | DESCRIPTION | DATE | DMN | APVD |
|     |    | -    |     | SEE SHEET 1 | -    | -   | -    |
|     |    |      |     |             |      |     |      |
|     |    |      |     |             |      |     |      |


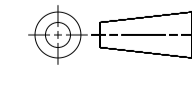


⚠ FOR THE CONFIGURATION WITH VENT  
 PART NO. 1-6450820-1

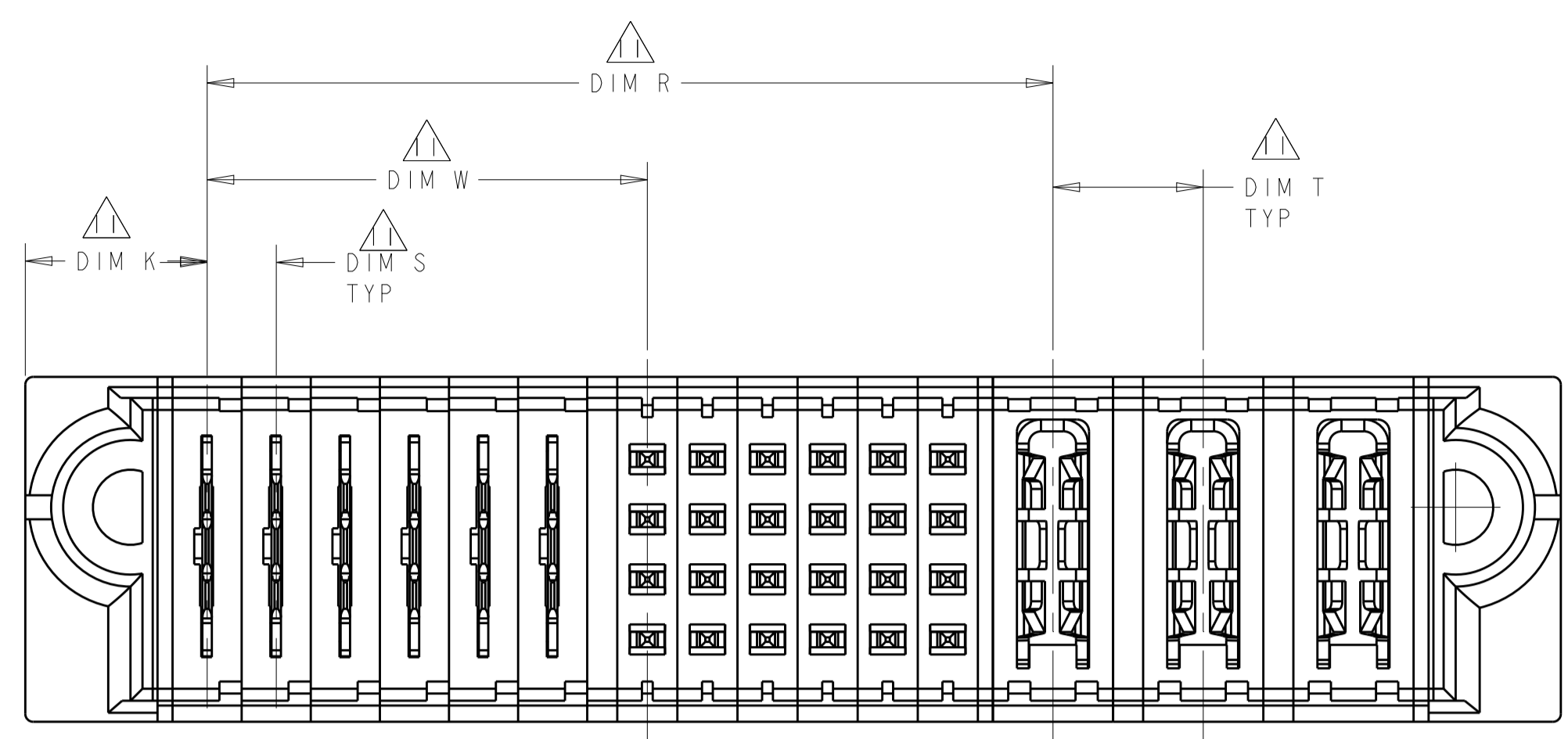
|   |  |                             |   |
|---|--|-----------------------------|---|
| THIS DRAWING IS A CONTROLLED DOCUMENT.  |  | DMN<br>D. ZHU<br>15NOV2007  |  TE Connectivity |
| DIMENSIONS:<br>INCHES   |  | CHK<br>S. ZHAO<br>15NOV2007 |   |
|  0 PLC ±<br>1 PLC ±.01<br>2 PLC ±.01<br>3 PLC ±.005<br>4 PLC ±.0020<br>ANGLES ±.7° |  | APVD<br>S. ZHAO             | NAME<br>VERTICAL HEADER ASSEMBLY W/ SHORT<br>END MODULES, PRESS FIT<br>MULTI-BEAM XLE                 |
| MATERIAL  |  | PRODUCT SPEC<br>108-2292    | SIZE<br>114-13251   |
| FINISH  |  | APPLICATION SPEC            | RESTRICTED TO   |
| Customer Drawing  |  | WEIGHT                      | A100779C=6450820  |
| SCALE   |  | SHEET 2 OF 20               | REV G8  |

| LOC | DIST | REVISIONS |     |             |      |     |      |
|-----|------|-----------|-----|-------------|------|-----|------|
|     |      | P.        | LTN | DESCRIPTION | DATE | DMN | APVD |
| ES  | 00   | -         | -   | SEE SHEET 1 | -    | -   | -    |
|     |      |           |     |             |      |     |      |
|     |      |           |     |             |      |     |      |



|   |  |                               |   |
|---|--|-------------------------------|---|
| THIS DRAWING IS A CONTROLLED DOCUMENT.  |  | DMN<br>D. ZHU<br>15NOV2007    |  TE Connectivity |
| DIMENSIONS:<br>INCHES   |  | CHK<br>S. ZHAO<br>15NOV2007   |   |
| TOLERANCES UNLESS OTHERWISE SPECIFIED:<br>0 PLC ±.<br>1 PLC ±.01<br>2 PLC ±.01<br>3 PLC ±.005<br>4 PLC ±.0020<br>ANGLES ±7°<br>FINISH - |  | APVD<br>S. ZHAO               | NAME<br>VERTICAL HEADER ASSEMBLY W/ SHORT END MODULES, PRESS FIT MULTI-BEAM XLE                       |
|    |  | PRODUCT SPEC<br>108-2292      | SIZE<br>A100779   |
| MATERIAL -  |  | APPLICATION SPEC<br>114-13251 | CAGE CODE DRAWING NO<br>C=6450820   |
| WEIGHT -  |  | RESTRICTED TO                 | SCALE - SHEET 3 OF 20 REV G8  |
| Customer Drawing  |  |                               |   |

| LOC |    | DIST |     | REVISIONS   |      |     |      |
|-----|----|------|-----|-------------|------|-----|------|
| ES  | 00 | P    | LTH | DESCRIPTION | DATE | DMN | APVD |
| -   | -  | -    | -   | SEE SHEET 1 | -    | -   | -    |
|     |    |      |     |             |      |     |      |
|     |    |      |     |             |      |     |      |



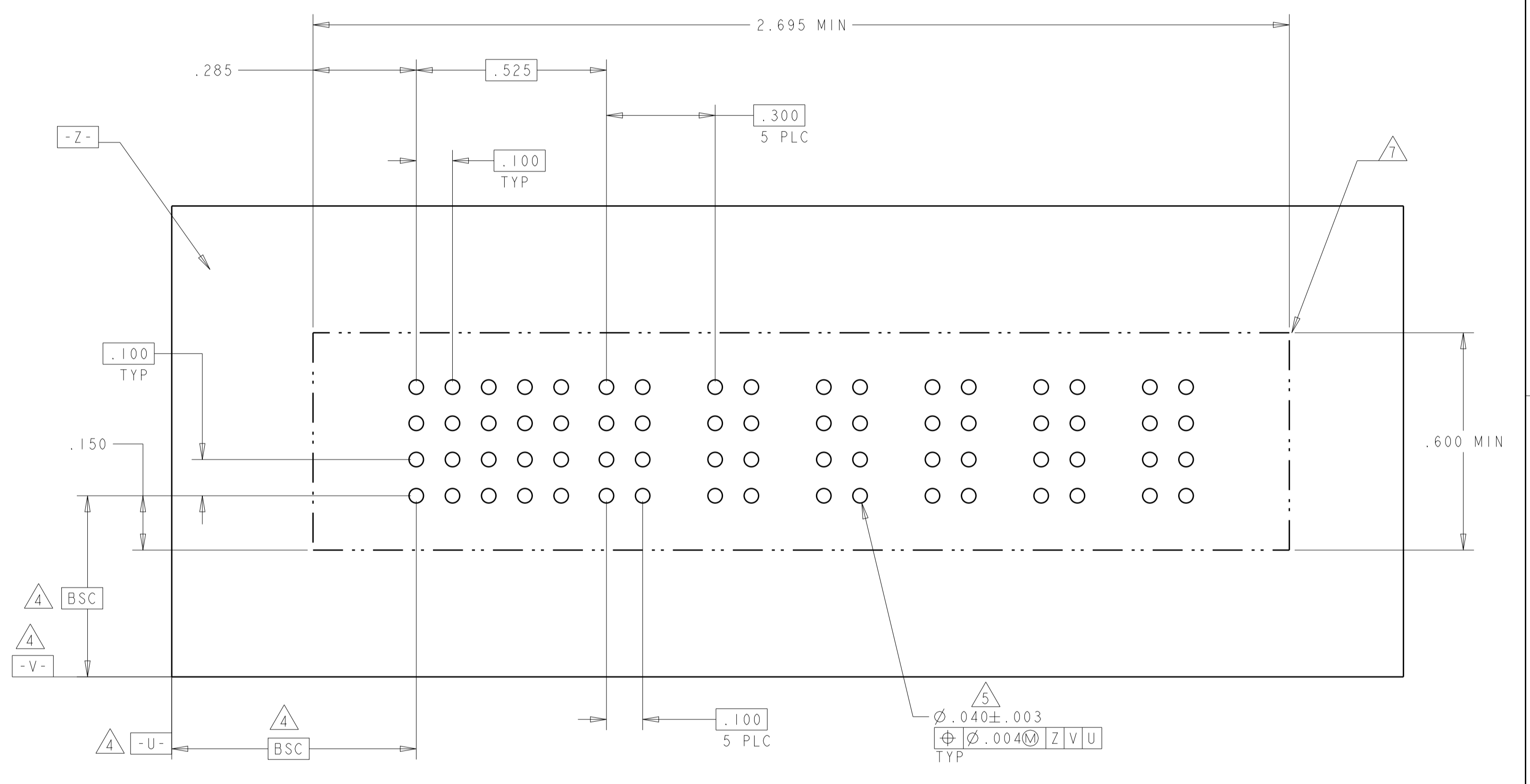
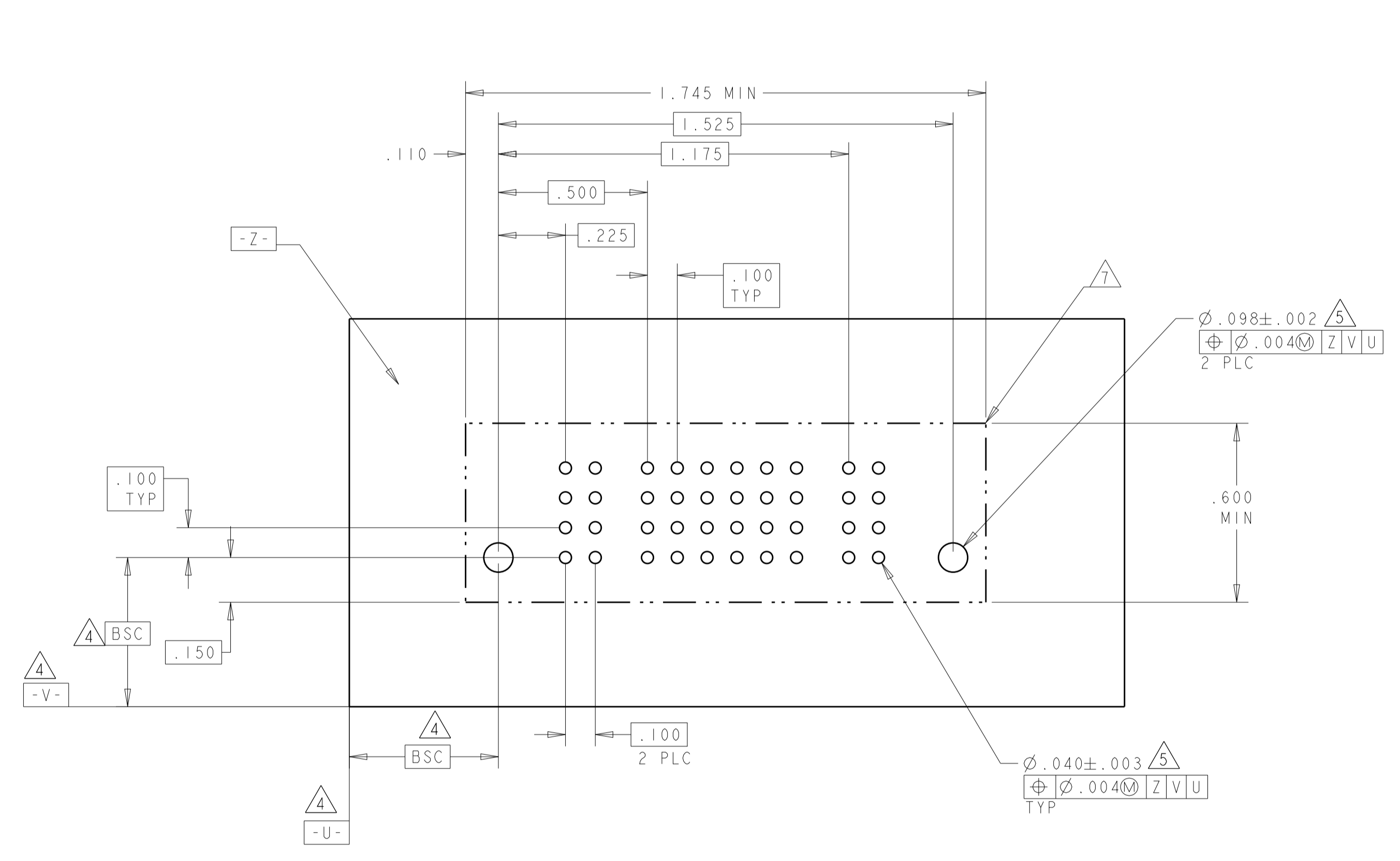
FOR THE CONFIGURATION LP/S/P WITH VENT  
OTHER DIMSENSIONS PLEASE REFER TO SHEET 2

|   |  |  |  |
|---|--|--|--|
| THIS DRAWING IS A CONTROLLED DOCUMENT.  |  | DMN<br>D. ZHU<br>15NOV2007   | TE Connectivity  |
| DIMENSIONS:<br>INCHES   |  | CHK<br>S. ZHAO<br>15NOV2007  |  |
| DIMENSIONS:<br>INCHES<br>0 PLC ±.<br>1 PLC ±.01<br>2 PLC ±.01<br>3 PLC ±.005<br>4 PLC ±.0020<br>ANGLES ±.7°<br>FINISH |  | APVD<br>S. ZHAO<br>-<br>PRODUCT SPEC<br>108-2292<br>APPLICATION SPEC<br>114-13251<br>WEIGHT<br>-<br>Customer Drawing | NAME<br>VERTICAL HEADER ASSEMBLY W/ SHORT<br>END MODULES, PRESS FIT<br>MULTI-BEAM XLE<br>SIZE<br>A100779<br>CAGE CODE<br>C=6450820<br>DRAWING NO<br>-<br>RESTRICTED TO<br>-<br>SCALE<br>-<br>SHEET<br>4<br>OF<br>20<br>REV<br>G8 |

| LOC |    | DIST |     | REVISIONS   |      |     |      |
|-----|----|------|-----|-------------|------|-----|------|
| ES  | 00 | P    | LTN | DESCRIPTION | DATE | DMN | APVD |
|     |    | -    |     | SEE SHEET 1 |      |     |      |

| PART NUMBER   | ROWS | POWER | SIGNAL |    |    |    |    |    | POWER |    |    |
|---------------|------|-------|--------|----|----|----|----|----|-------|----|----|
|               |      |       | P1     | 1  | 2  | 3  | 4  | 5  |       | 6  | P2 |
| 6450820-1     | D    | VM    | HD     | EV | EV | EV | EV | EV | EV    | VM | HD |
|               | C    |       |        | EV | EV | EV | EV | EV | EV    |    |    |
|               | B    |       |        | EV | EV | EV | ES | EV | EV    |    |    |
|               | A    |       |        | EV | EV | EV | EV | EV | EV    |    |    |
| IP + 24S + IP |      |       |        |    |    |    |    |    |       |    |    |

| PART NUMBER | ROWS | POWER | SIGNAL |    |    |    |    | POWER |    |    |    |    |    |    |    |    |    |
|-------------|------|-------|--------|----|----|----|----|-------|----|----|----|----|----|----|----|----|----|
|             |      |       | 1      | 2  | 3  | 4  | 5  | P1    | P2 | P3 | P4 | P5 | P6 |    |    |    |    |
| I-6450820-4 | D    | VM    | HD     | EV | EV | EV | EV | EV    | EV | VM | VM | VM | VM | VM | VM | VM | HD |
|             | C    |       |        | EV | EV | EV | EV | EV    | VM | VM | VM | VM | VM |    |    |    |    |
|             | B    |       |        | EV | EV | EV | EV | EV    | VM | VM | VM | VM | VM |    |    |    |    |
|             | A    |       |        | ES | EV | EV | EV | EV    | VM | VM | VM | VM | VM |    |    |    |    |
| 20S + 6ACP  |      |       |        |    |    |    |    |       |    |    |    |    |    |    |    |    |    |



|             |                        |      |
|-------------|------------------------|------|
| .165"       | LOW POWER CONTACT MFBL | LZF  |
| .165"       | LOW POWER CONTACT      | LZ   |
| .165"       | SIGNAL CONTACT MFBL    | EF   |
| -           | HOLD DOWN              | HD   |
| .165"       | SIGNAL CONTACT MLBF    | ES   |
| .165"       | SIGNAL CONTACT STD     | EV   |
| .165"       | POWER CONTACT          | VM   |
| TAIL LENGTH | DESCRIPTION            | CODE |

THIS DRAWING IS A CONTROLLED DOCUMENT.

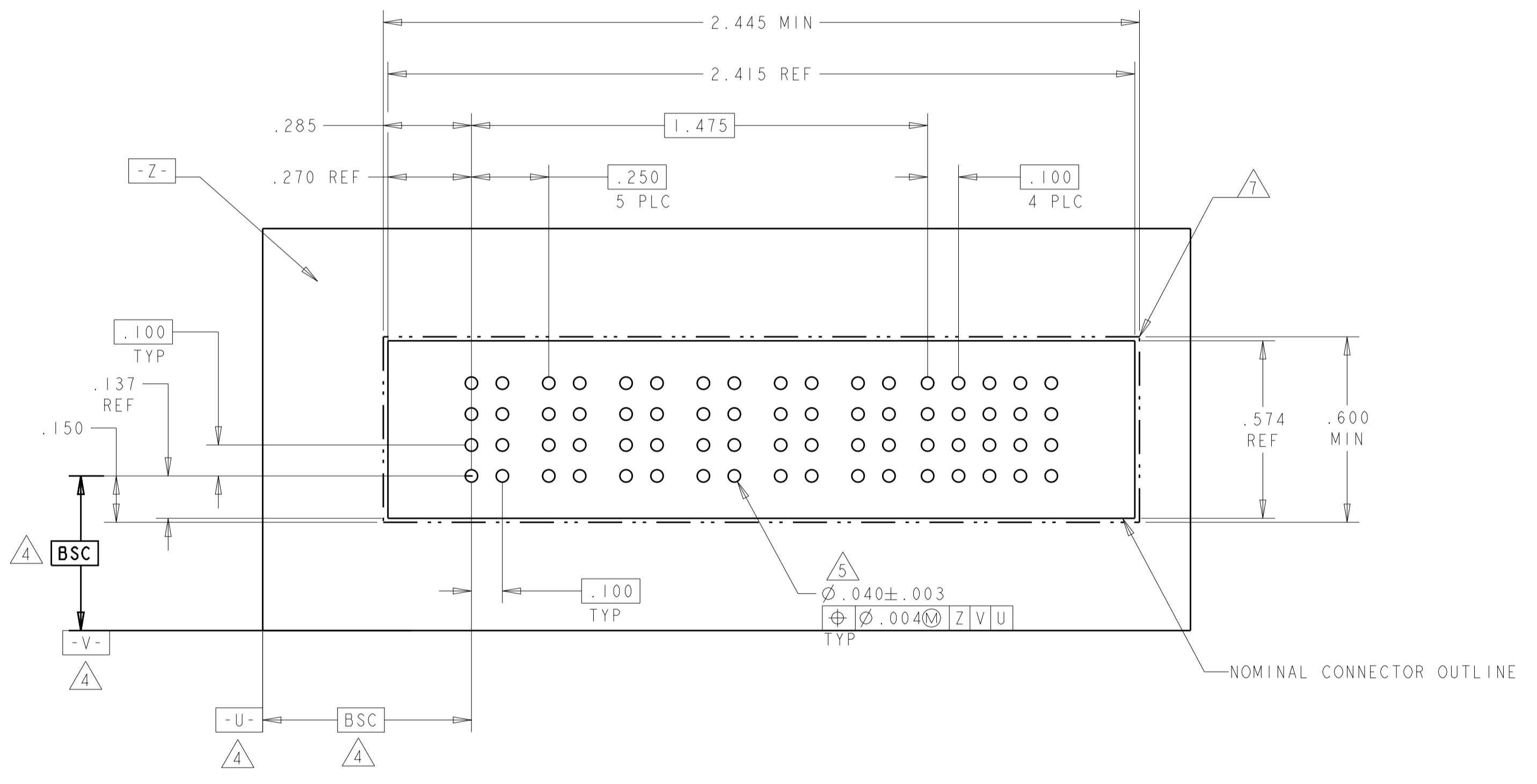
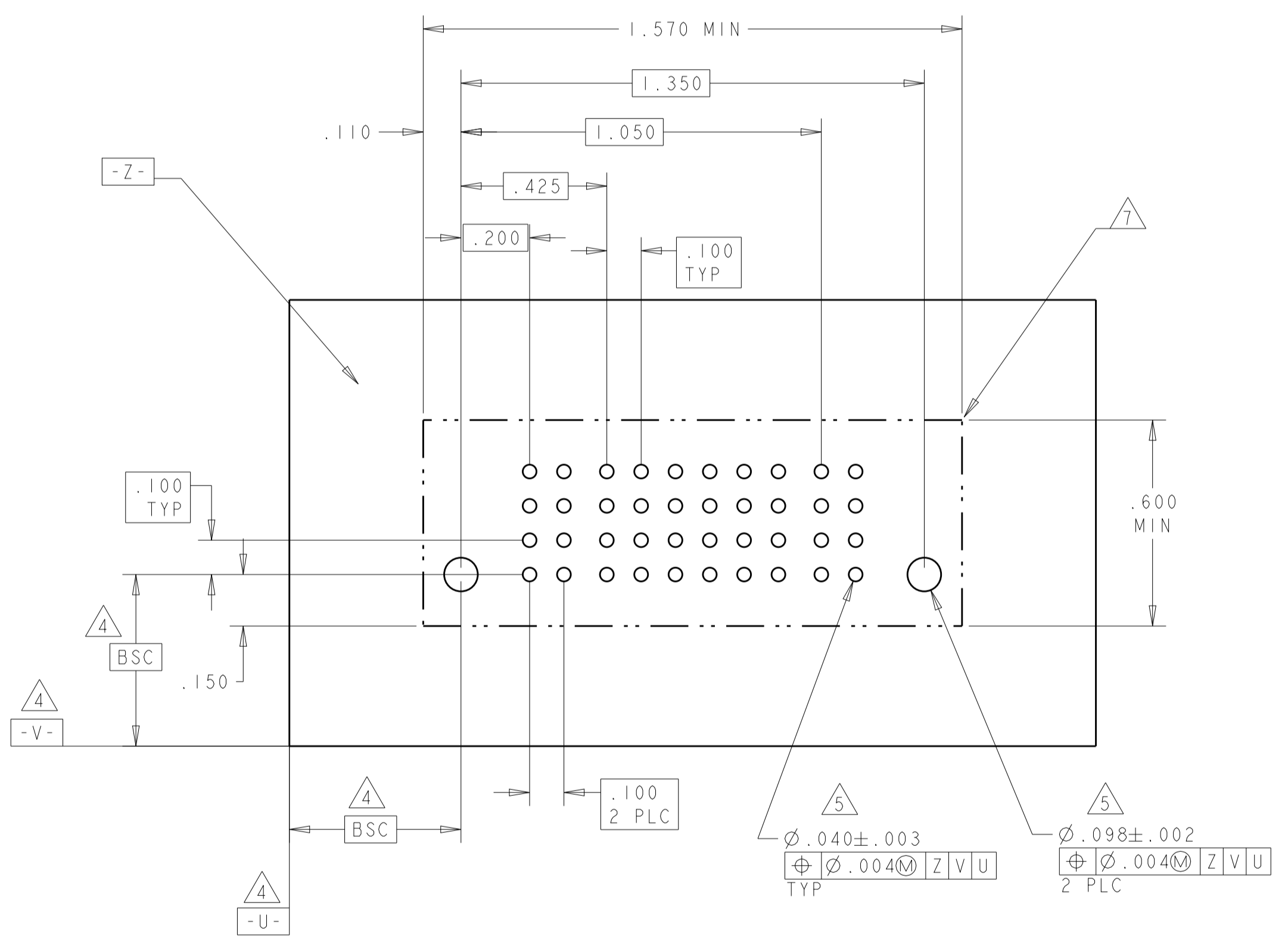
|                  |  |                  |                      |
|------------------|--|------------------|----------------------|
| DIMENSIONS:      | TOLERANCES UNLESS OTHERWISE SPECIFIED: | DMN              | 15NOV2007            |
| INCHES           | 0 PLC ±.01                             | CHK              | D. ZHU               |
|                  | 1 PLC ±.01                             | CHK              | S. ZHAO              |
|                  | 2 PLC ±.01                             | APVD             | S. ZHAO              |
|                  | 3 PLC ±.005                            | PRODUCT SPEC     | 108-2292             |
|                  | 4 PLC ±.0020                           | APPLICATION SPEC | 114-13251            |
|                  | ANGLES ±.020                           | WEIGHT           | -                    |
| MATERIAL         | FINISH                                 | SIZE             | CAGE CODE DRAWING NO |
| -                | -                                      | A100779          | C=6450820            |
| Customer Drawing |  | SCALE            | SHEET 5 OF 20        |

TE Connectivity  
 NAME: VERTICAL HEADER ASSEMBLY W/ SHORT END MODULES, PRESS FIT MULTI-BEAM XLE  
 RESTRICTED TO

| LOC | DIST | REVISIONS   |      |     |      |
|-----|------|-------------|------|-----|------|
| P   | LTH  | DESCRIPTION | DATE | DNW | APVD |
| ES  | 00   | SEE SHEET 1 | -    | -   | -    |
|     |      |             |      |     |      |
|     |      |             |      |     |      |

| PART NUMBER   | ROWS | POWER | SIGNAL |    |    |    |    |    | POWER |    |    |
|---------------|------|-------|--------|----|----|----|----|----|-------|----|----|
|               |      |       | P1     | 1  | 2  | 3  | 4  | 5  |       | 6  | P2 |
| 6450820-2     | D    | VM    | HD     | EV | EV | EV | EV | EV | EV    | VM | HD |
|               | C    |       |        | EV | EV | EV | EV | EV | EV    |    |    |
|               | B    |       |        | EV | EV | EV | ES | EV | EV    |    |    |
|               | A    |       |        | EV | EV | EV | EV | EV | EV    |    |    |
| IP + 24S + IP |      |       |        |    |    |    |    |    |       |    |    |

| PART NUMBER | ROWS | POWER |    |    |    |    |    | SIGNAL |    |    |    |    |    |
|-------------|------|-------|----|----|----|----|----|--------|----|----|----|----|----|
|             |      | P1    | P2 | P3 | P4 | P5 | P6 | 1      | 2  | 3  | 4  | 5  |    |
| 1-6450820-5 | D    | VM    | VM | VM | VM | VM | VM | EV     | EV | EV | EV | EV | HD |
|             | C    |       |    |    |    |    |    | EV     | EV | EV | EV | EV |    |
|             | B    |       |    |    |    |    |    | EV     | ES | EV | EV | EV |    |
|             | A    |       |    |    |    |    |    | EV     | EV | EV | EV | EV |    |
| 6P + 20S    |      |       |    |    |    |    |    |        |    |    |    |    |    |



THIS DRAWING IS A CONTROLLED DOCUMENT. DWN: D. ZHU 15NOV2007  
 CHK: S. ZHAO 15NOV2007  
 APVD: S. ZHAO

DIMENSIONS: INCHES  
 TOLERANCES UNLESS OTHERWISE SPECIFIED:  
 0 PLC ±  
 1 PLC ±.01  
 2 PLC ±.01  
 3 PLC ±.005  
 4 PLC ±.002  
 ANGLES ±.2°

MATERIAL: - FINISH: -

Customer Drawing

NAME: VERTICAL HEADER ASSEMBLY W/ SHORT END MODULES, PRESS FIT MULTI-BEAM XLE  
 PRODUCT SPEC: 108-2292  
 APPLICATION SPEC: 114-13251  
 WEIGHT: -

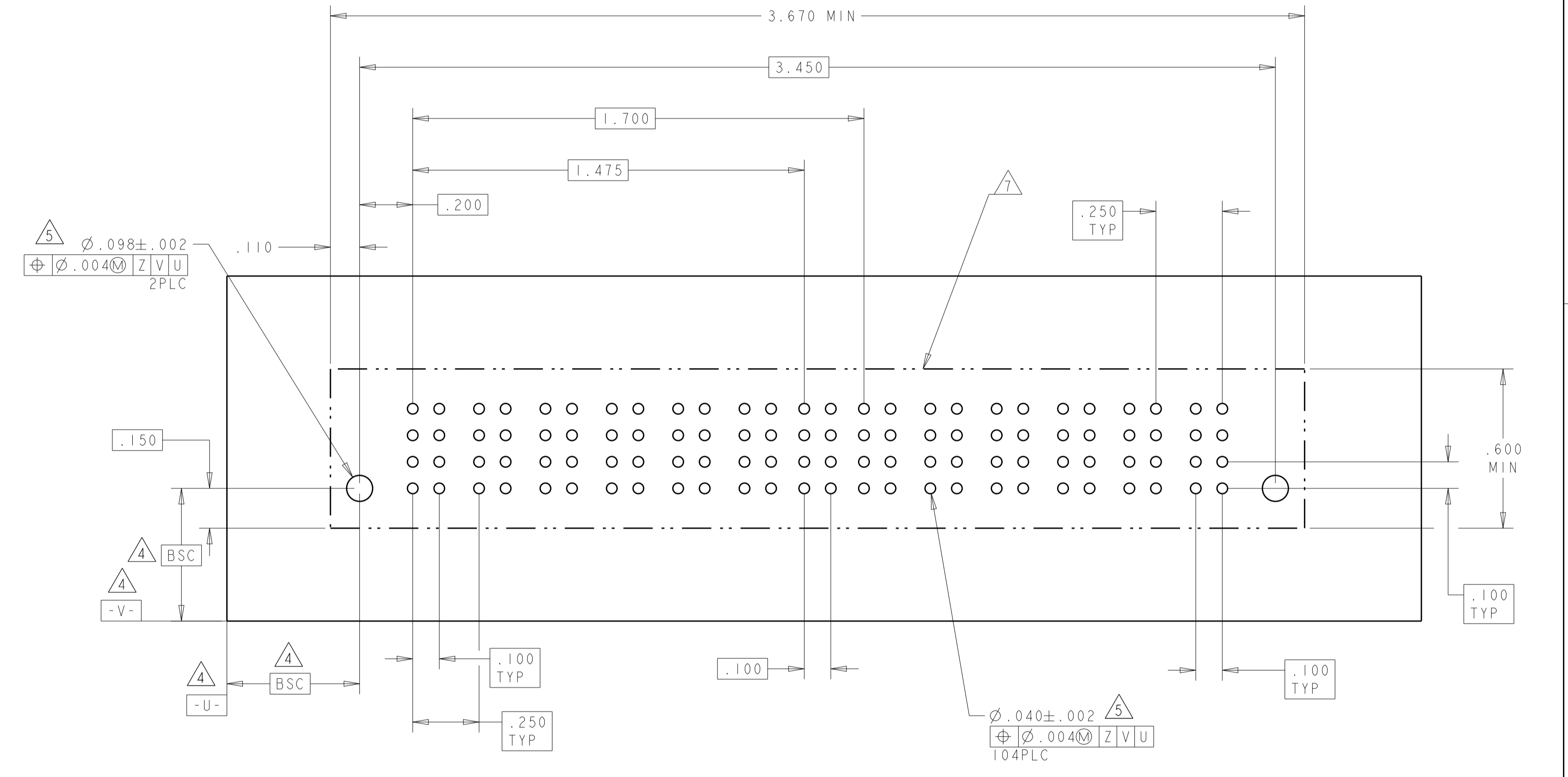
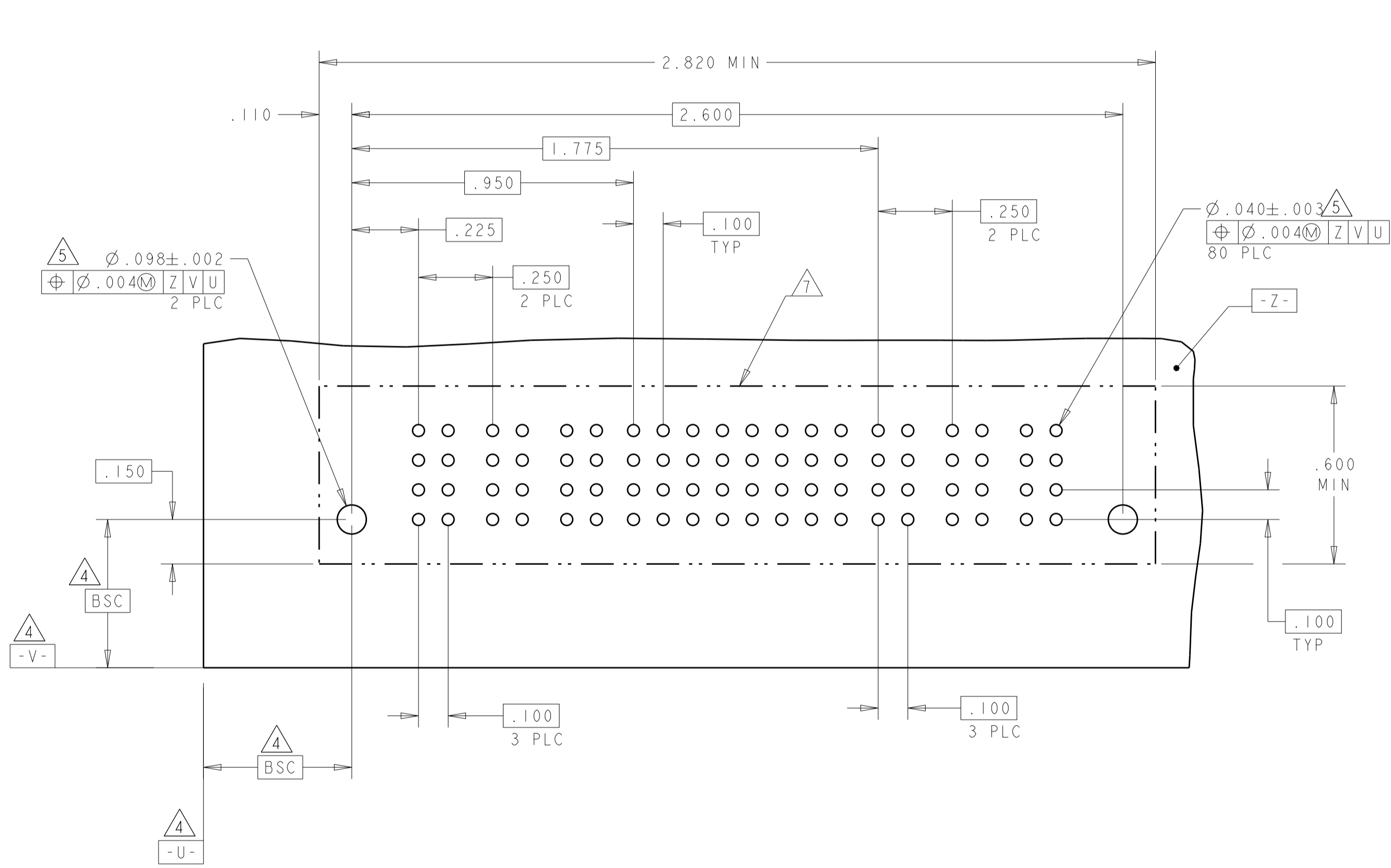
SIZE: A100779 C=6450820  
 SCALE: - SHEET 6 OF 20 REV: G8

TE Connectivity

| LOC |    | DIST |     | REVISIONS   |      |     |      |
|-----|----|------|-----|-------------|------|-----|------|
| ES  | 00 | P    | LTN | DESCRIPTION | DATE | DMN | APVD |
| -   | -  | -    | -   | SEE SHEET 1 | -    | -   | -    |

| PART NUMBER   | ROWS             | POWER |    |    | SIGNAL |    |    |    |    |    |    |    | POWER |    |    |    |    |    |    |
|---------------|------------------|-------|----|----|--------|----|----|----|----|----|----|----|-------|----|----|----|----|----|----|
|               |                  | P1    | P2 | P3 | 1      | 2  | 3  | 4  | 5  | 6  | 7  | 8  | P4    | P5 | P6 |    |    |    |    |
| 6450820-3     | D<br>C<br>B<br>A | VM    | VM | VM | EV     | EV | EV | EV | EV | EV | EV | EV | EV    | EV | VM | VM | VM |    |    |
|               |                  |       |    |    | EV     | EV | EV | EV | EV | EV | EV | EV | EV    | EV | EV | EV | EV | EV | EV |
|               |                  |       |    |    | EV     | EV | EV | EV | EV | EV | EV | EV | EV    | EV | EV | EV | EV | EV | EV |
|               |                  |       |    |    | EV     | EV | EV | EV | EV | EV | EV | EV | EV    | EV | EV | EV | EV | EV | EV |
| 3P + 32S + 3P |                  |       |    |    |        |    |    |    |    |    |    |    |       |    |    |    |    |    |    |

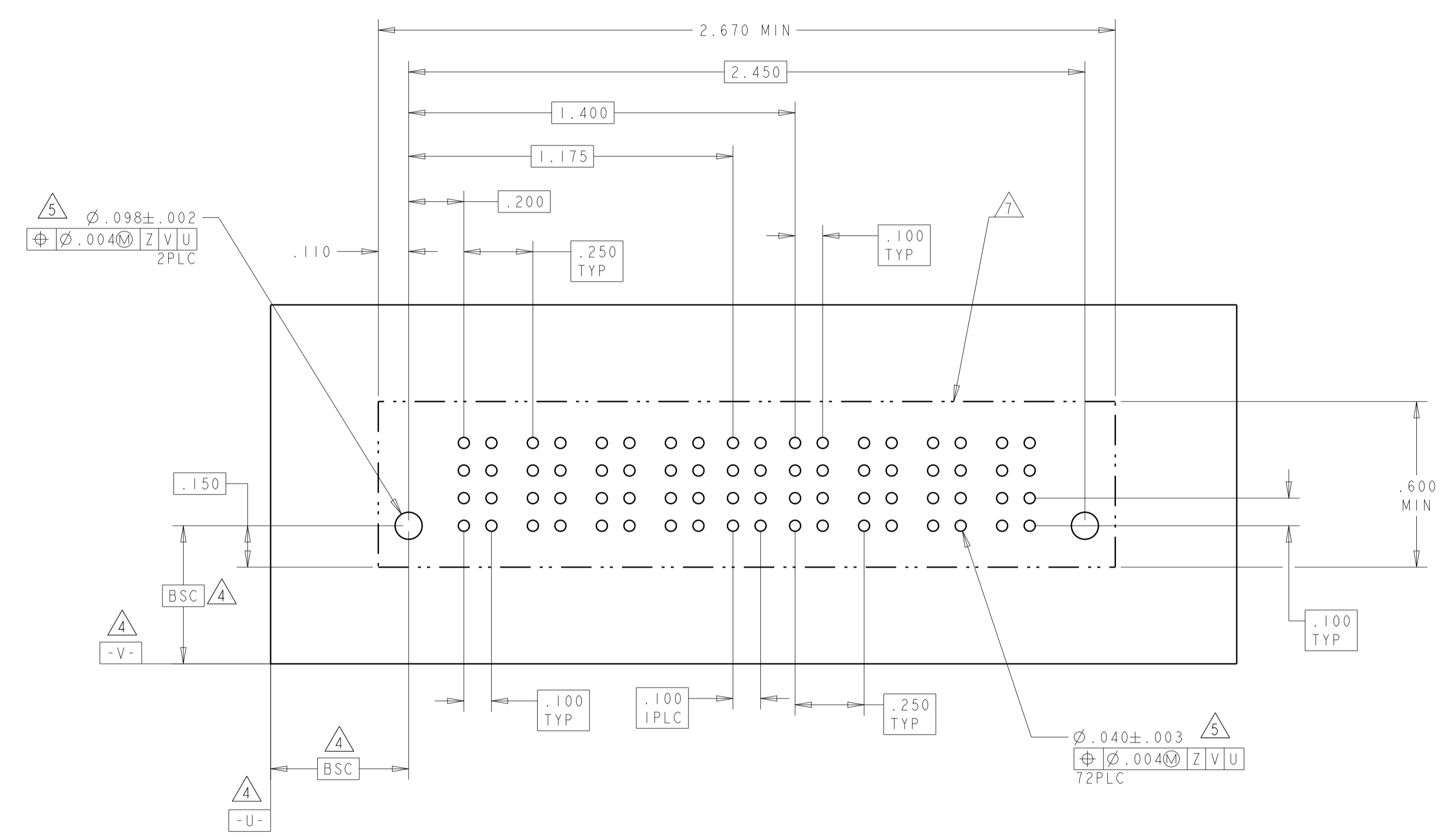
| PART NUMBER  | ROWS             | POWER |    |    |    |    |    | SIGNAL |    | POWER |    |    |     |     |     |  |
|--------------|------------------|-------|----|----|----|----|----|--------|----|-------|----|----|-----|-----|-----|--|
|              |                  | P1    | P2 | P3 | P4 | P5 | P6 | 1      | 2  | P7    | P8 | P9 | P10 | P11 | P12 |  |
| 6450820-4    | D<br>C<br>B<br>A | VM    | VM | VM | VM | VM | VM | EV     | EV | VM    | VM | VM | VM  | VM  |     |  |
|              |                  |       |    |    |    |    |    | EV     | EV | VM    | VM | VM | VM  | VM  |     |  |
|              |                  |       |    |    |    |    |    | EV     | EV | VM    | VM | VM | VM  | VM  |     |  |
|              |                  |       |    |    |    |    |    | EV     | EV | VM    | VM | VM | VM  | VM  |     |  |
| 6P + 8S + 6P |                  |       |    |    |    |    |    |        |    |       |    |    |     |     |     |  |



|   |  |                             |   |
|---|--|-----------------------------|---|
| THIS DRAWING IS A CONTROLLED DOCUMENT.  |  | DMN: D. ZHU 15NOV2007       | TE Connectivity   |
| DIMENSIONS: INCHES  |  | CHK: S. ZHAO 15NOV2007      |   |
| TOLERANCES UNLESS OTHERWISE SPECIFIED:  |  | APVD: S. ZHAO               | NAME: VERTICAL HEADER ASSEMBLY W/ SHORT END MODULES, PRESS FIT MULTI-BEAM XLE |
| 0 PLC ±.<br>1 PLC ±.01<br>2 PLC ±.01<br>3 PLC ±.005<br>4 PLC ±.0020<br>ANGLES ±.020 |  | PRODUCT SPEC: 108-2292      | SIZE: A100779   |
| MATERIAL: -   |  | APPLICATION SPEC: 114-13251 | DRAWING NO: C=6450820   |
| FINISH: -   |  | WEIGHT: -                   | RESTRICTED TO: -  |
| Customer Drawing  |  | SCALE: -                    | SHEET 7 OF 20 REV: G8   |

| LOC |     | DIST        |      | REVISIONS |      |  |  |
|-----|-----|-------------|------|-----------|------|--|--|
| P   | LTN | DESCRIPTION | DATE | DMN       | APVD |  |  |
| -   | -   | SEE SHEET 1 | -    | -         | -    |  |  |
|     |     |             |      |           |      |  |  |
|     |     |             |      |           |      |  |  |

| PART NUMBER  | ROWS             | HD | POWER |    |    |    | SIGNAL |    | POWER |    |    |    | HD |
|--------------|------------------|----|-------|----|----|----|--------|----|-------|----|----|----|----|
|              |                  |    | P1    | P2 | P3 | P4 | 1      | 2  | P5    | P6 | P7 | P8 |    |
| 6450820-5    | D<br>C<br>B<br>A |    | VM    | VM | VM | VM | EV     | EV | VM    | VM | VM | VM |    |
| 4P + 8S + 4P |                  |    |       |    |    |    |        |    |       |    |    |    |    |



|   |  |                               |   |
|---|--|-------------------------------|---|
| THIS DRAWING IS A CONTROLLED DOCUMENT.  |  | DMN<br>D. ZHU<br>15NOV2007    | TE Connectivity   |
| DIMENSIONS:<br>INCHES   |  | CHK<br>S. ZHAO<br>15NOV2007   |   |
| TOLERANCES UNLESS OTHERWISE SPECIFIED:<br>0 PLC ±.<br>1 PLC ±.01<br>2 PLC ±.01<br>3 PLC ±.005<br>4 PLC ±.0020<br>ANGLES ±2° |  | APVD<br>S. ZHAO               | NAME<br>VERTICAL HEADER ASSEMBLY W/ SHORT<br>END MODULES, PRESS FIT<br>MULTI-BEAM XLE |
| MATERIAL  |  | PRODUCT SPEC<br>108-2292      | SIZE<br>A100779   |
| FINISH  |  | APPLICATION SPEC<br>114-13251 | DRAWING NO<br>C=6450820   |
|   |  | WEIGHT                        | RESTRICTED TO   |
|   |  | Customer Drawing              | SCALE - SHEET 8 OF 20 REV G8  |

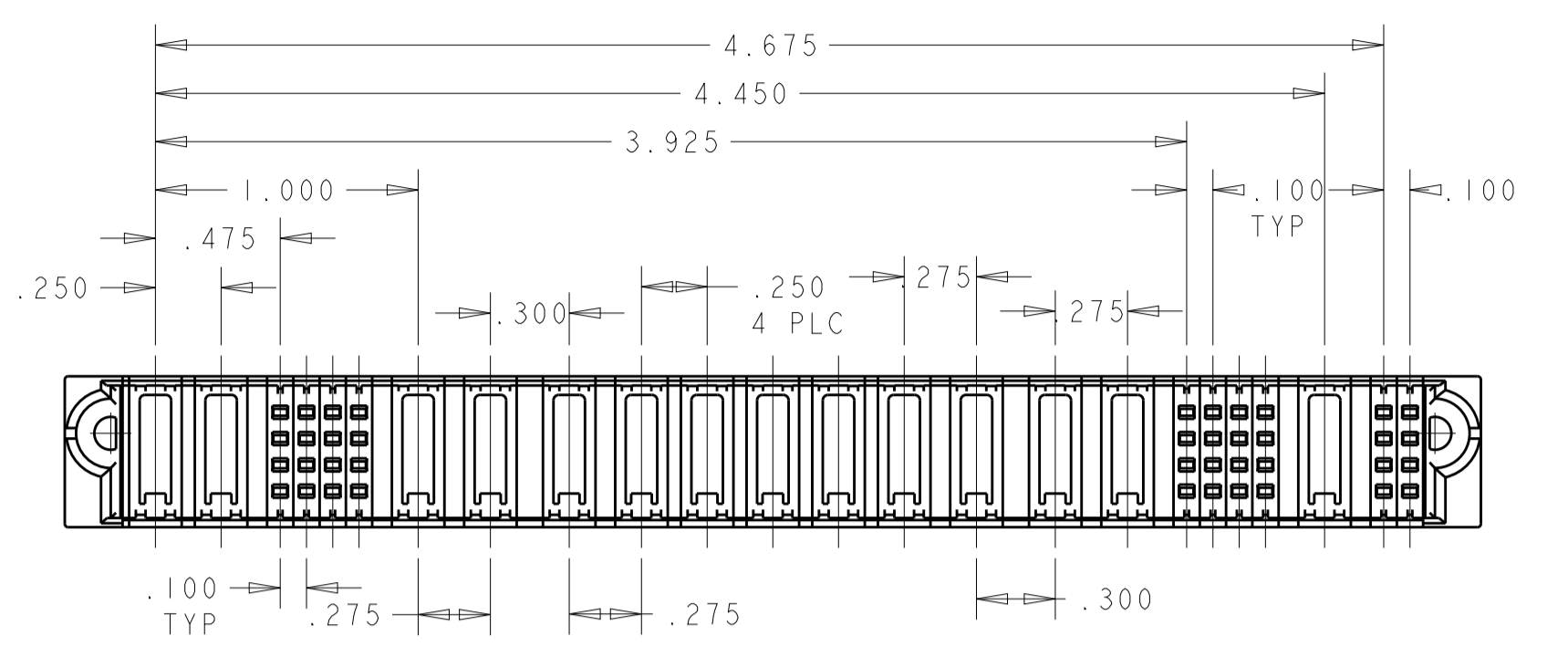


| LOC | DIST | REVISIONS   |      |     |      |
|-----|------|-------------|------|-----|------|
| P   | LTN  | DESCRIPTION | DATE | DMN | APVD |
| ES  | 00   | SEE SHEET 1 | -    | -   | -    |

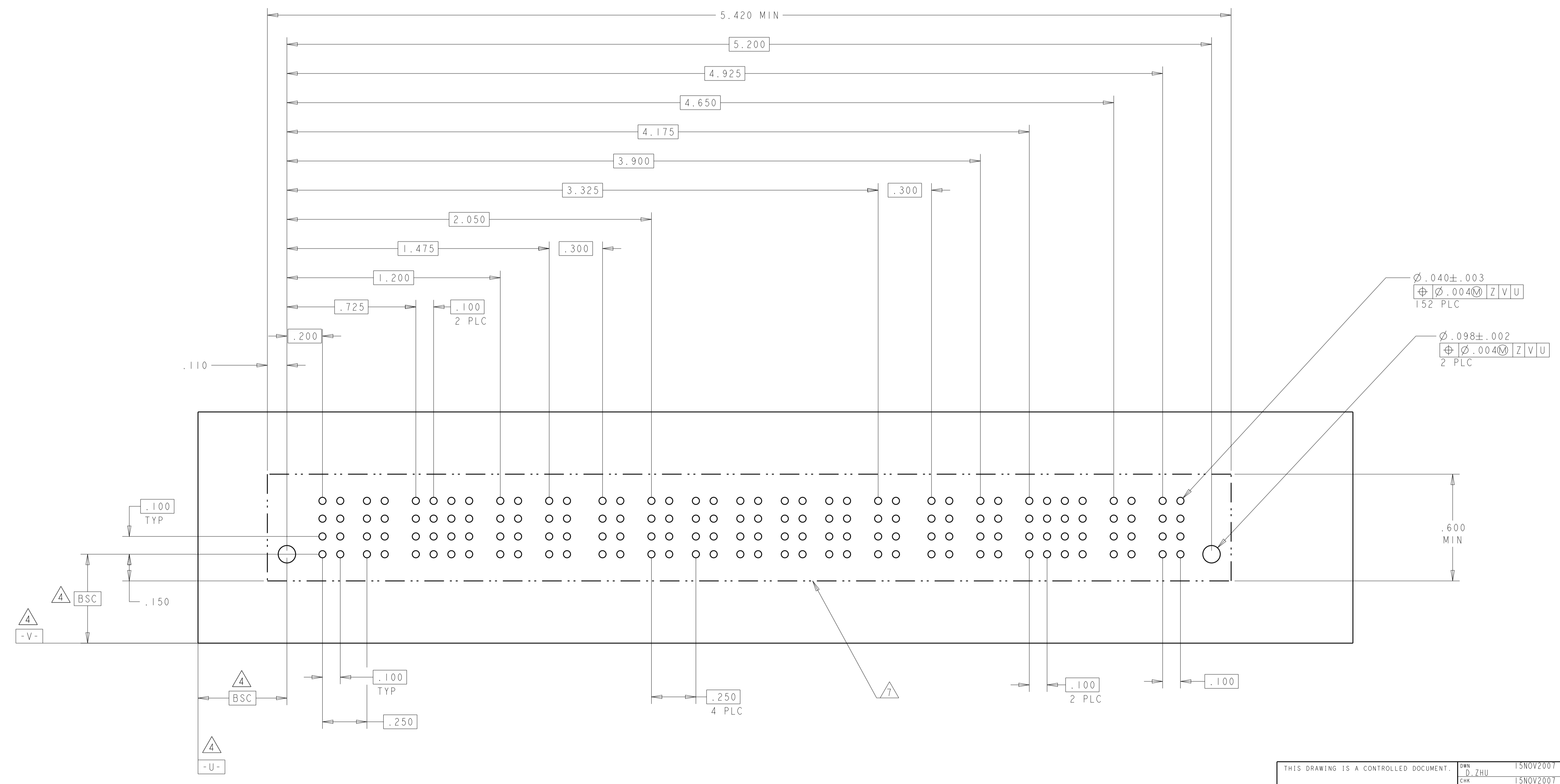
| PART NUMBER | ROWS             | POWER |    | SIGNAL |    |    |    | POWER |    |    |    |    |    |    |     | SIGNAL |     |     |    | POWER | SIGNAL |   |     |    |    |
|-------------|------------------|-------|----|--------|----|----|----|-------|----|----|----|----|----|----|-----|--------|-----|-----|----|-------|--------|---|-----|----|----|
|             |                  | P1    | P2 | 1      | 2  | 3  | 4  | P3    | P4 | P5 | P6 | P7 | P8 | P9 | P10 | P11    | P12 | P13 | 5  | 6     | 7      | 8 | P14 | 9  | 10 |
| 6450820-6   | D<br>C<br>B<br>A | VM    |    | EV     | EV | EV | EV |       | VM | VM |    | VM | VM |    | VM  | VM     |     | EV  | EV | EV    | EV     |   | EV  | ES |    |
|             |                  |       |    | EV     | EV | EV | EV |       |    |    |    |    |    |    |     |        |     | EV  | EV | EV    | EV     |   | EV  | EV |    |
|             |                  |       |    | EV     | EV | EV | EV |       |    |    |    |    |    |    |     |        |     | EV  | EV | EV    | EV     |   | EV  | EV |    |
|             |                  |       |    | ES     | EV | EV | EV |       |    |    |    |    |    |    |     |        |     | EV  | EV | EV    | EV     |   | EV  | EV |    |

2P+16S+1P+2ACP+5P+2ACP+1P+16S+1P+8S

NO CONTACTS LOADED



SCALE 3:2  
6450820-6




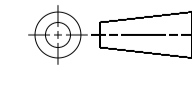
|  |  |                      |  |
|--|--|----------------------|--|
| THIS DRAWING IS A CONTROLLED DOCUMENT. |  | DMN D.ZHU 15NOV2007  | <br>TE Connectivity  |
| DIMENSIONS: INCHES                     |  | CHK S.ZHAO 15NOV2007 |  |
| TOLERANCES UNLESS OTHERWISE SPECIFIED: |  | APVD S.ZHAO          | NAME VERTICAL HEADER ASSEMBLY W/ SHORT END MODULES, PRESS FIT MULTI-BEAM XLE |
| 0 PLC ±.010                            |  | PRODUCT SPEC         | SIZE CAGE CODE DRAWING NO RESTRICTED TO                                      |
| 1 PLC ±.010                            |  | 108-2292             | A100779C=6450820   |
| 2 PLC ±.015                            |  | APPLICATION SPEC     | SCALE SHEET 9 OF 20 REV G8   |
| 3 PLC ±.020                            |  | 114-13251            |  |
| 4 PLC ±.020                            |  | WEIGHT               |  |
| ANGLES ±.020                           |  | Customer Drawing     |  |
| FINISH                                 |  |                      |  |

| LOC | DIST | REVISIONS   |      |     |      |
|-----|------|-------------|------|-----|------|
| P   | LTN  | DESCRIPTION | DATE | DMN | APVD |
| -   | -    | SEE SHEET 1 | -    | -   | -    |
|     |      |             |      |     |      |
|     |      |             |      |     |      |

| PART NUMBER                         | ROWS             | HD | POWER |    | SIGNAL |    |    |    | POWER |    |    |    |    |    |    | SIGNAL |     |     |     | POWER | SIGNAL |    |    | HD |     |    |
|-------------------------------------|------------------|----|-------|----|--------|----|----|----|-------|----|----|----|----|----|----|--------|-----|-----|-----|-------|--------|----|----|----|-----|----|
|                                     |                  |    | P1    | P2 | 1      | 2  | 3  | 4  | P3    | P4 | P5 | P6 | P7 | P8 | P9 | P10    | P11 | P12 | P13 | 5     | 6      | 7  | 8  |    | P14 | 9  |
| 6450820-7                           | D<br>C<br>B<br>A | HD | VM    |    | EV     | EV | EV | EV |       | VM | VM |    | VM |    | VM |        | VM  | VM  |     | EV    | EV     | EV | EV |    | EV  | ES |
| 2P+16S+1P+2ACP+5P+2ACP+1P+16S+1P+8S |                  |    |       |    | EV     | EV | EV | EV |       |    |    |    |    |    |    |        |     |     |     | EV    | EV     | EV | EV |    | EV  | EF |
|                                     |                  |    |       |    | EV     | EV | EV | EV |       |    |    |    |    |    |    |        |     |     |     | EV    | EV     | EV | EV |    | EV  | EV |
|                                     |                  |    |       |    | ES     | EV | EV | EV |       |    |    |    |    |    |    |        |     |     |     | EV    | EV     | EV | EV |    | EV  | EV |

NO CONTACTS LOADED

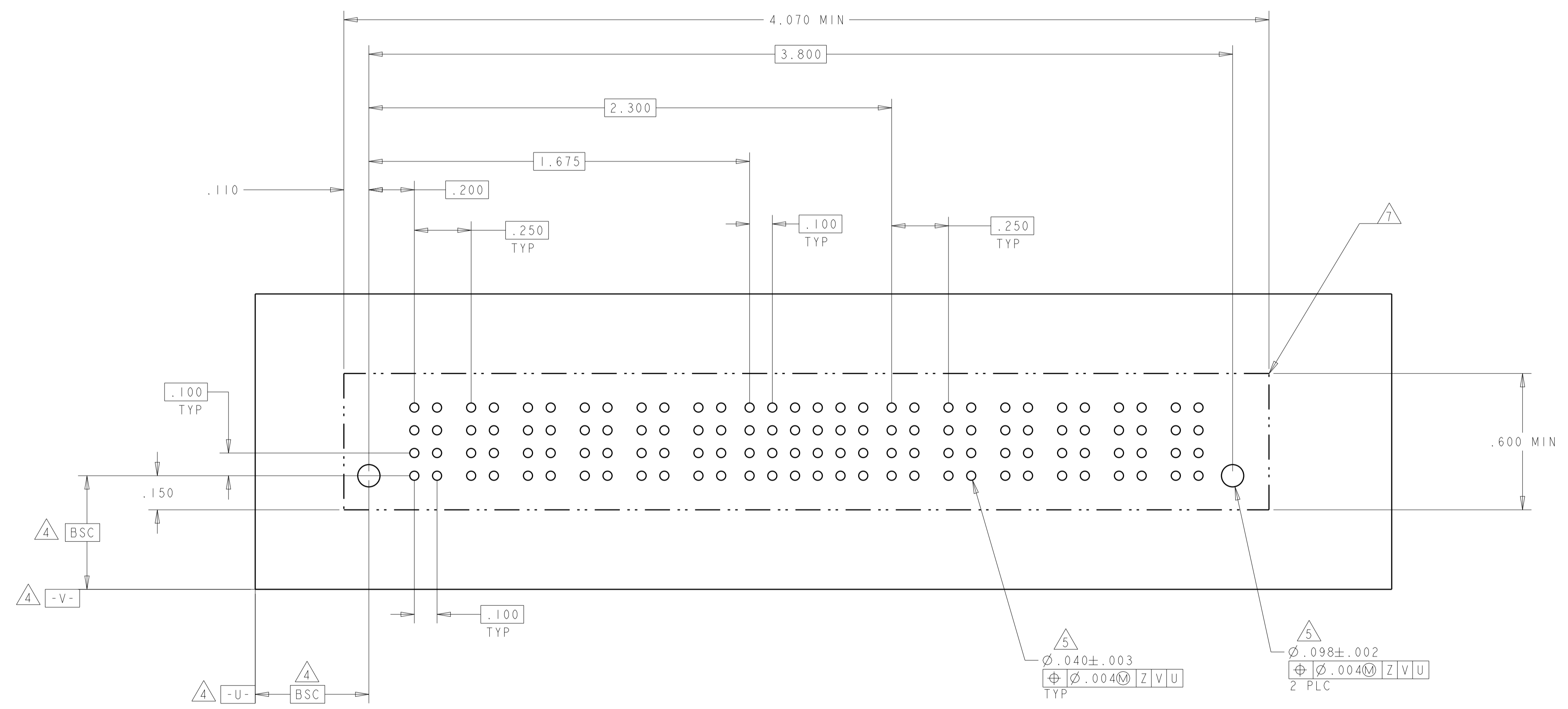
THE PCB LAYOUT IS THE SAME AS 6450820-6.  
 PLEASE SEE 6450820-6 FOR DETAIL DIM.

|  |  |                               |   |
|--|--|-------------------------------|---|
| THIS DRAWING IS A CONTROLLED DOCUMENT.   |  | DMN<br>D. ZHU<br>15NOV2007    |  TE Connectivity |
| DIMENSIONS:<br>INCHES  |  | CHK<br>S. ZHAO<br>15NOV2007   |   |
| TOLERANCES UNLESS OTHERWISE SPECIFIED:<br>0 PLC ±.<br>1 PLC ±.01<br>2 PLC ±.01<br>3 PLC ±.005<br>4 PLC ±.0020<br>ANGLES ±.2° |  | APVD<br>S. ZHAO               | NAME<br>VERTICAL HEADER ASSEMBLY W/ SHORT END MODULES, PRESS FIT MULTI-BEAM XLE                       |
|   |  | PRODUCT SPEC<br>108-2292      | SIZE<br>A100779   |
| MATERIAL   |  | APPLICATION SPEC<br>114-13251 | DRAWING NO<br>C=6450820   |
| FINISH   |  | WEIGHT                        | RESTRICTED TO   |
| Customer Drawing   |  | SCALE                         | SHEET 10 OF 20 REV G8   |



| LOC |    | DIST |     | REVISIONS   |      |     |      |
|-----|----|------|-----|-------------|------|-----|------|
| ES  | 00 | P    | LTN | DESCRIPTION | DATE | DWN | APVD |
|     |    | -    |     | SEE SHEET 1 | -    | -   | -    |
|     |    |      |     |             |      |     |      |
|     |    |      |     |             |      |     |      |

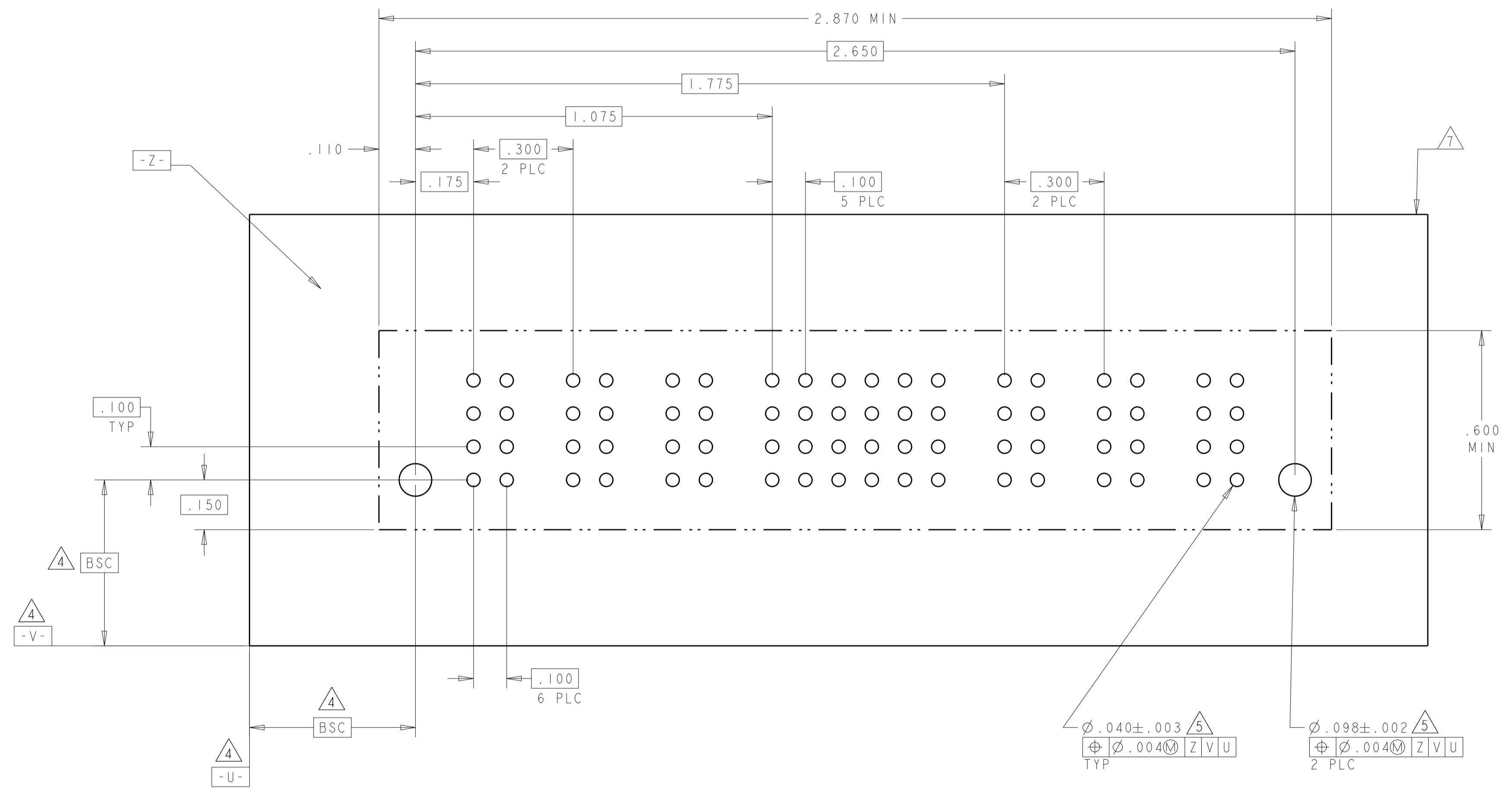
| PART NUMBER   | ROWS             | HD | POWER |    |    |    |    |    | SIGNAL |    |    |    |    |    | POWER |    |    |     |     |     | HD |  |  |  |  |  |
|---------------|------------------|----|-------|----|----|----|----|----|--------|----|----|----|----|----|-------|----|----|-----|-----|-----|----|--|--|--|--|--|
|               |                  |    | P1    | P2 | P3 | P4 | P5 | P6 | 1      | 2  | 3  | 4  | 5  | 6  | P7    | P8 | P9 | P10 | P11 | P12 |    |  |  |  |  |  |
| 1-6450820-1   | D<br>C<br>B<br>A | HD | VM    | VM | VM | VM | VM | VM | EV     | EV | EV | EV | EV | EV | VM    | VM | VM | VM  | VM  | VM  | HD |  |  |  |  |  |
|               |                  |    | VM    | VM | VM | VM | VM | VM | EV     | EV | EV | EV | EV | EV | VM    | VM | VM | VM  | VM  | VM  | HD |  |  |  |  |  |
|               |                  |    | VM    | VM | VM | VM | VM | VM | EV     | EV | EV | EV | EV | EV | VM    | VM | VM | VM  | VM  | VM  | HD |  |  |  |  |  |
|               |                  |    | VM    | VM | VM | VM | VM | VM | ES     | EV | EV | EV | EV | EV | VM    | VM | VM | VM  | VM  | VM  | HD |  |  |  |  |  |
| 6P + 24S + 6P |                  |    |       |    |    |    |    |    |        |    |    |    |    |    |       |    |    |     |     |     |    |  |  |  |  |  |



|   |        |                  |           |                  |   |
|---|--------|------------------|-----------|------------------|---|
| THIS DRAWING IS A CONTROLLED DOCUMENT.    |        | DWN<br>D. ZHU    | 15NOV2007 |                  | TE Connectivity   |
| DIMENSIONS:<br>INCHES                     |        | CHK<br>S. ZHAO   | 15NOV2007 |                  | NAME<br>VERTICAL HEADER ASSEMBLY W/ SHORT<br>END MODULES, PRESS FIT<br>MULTI-BEAM XLE |
| TOLERANCES UNLESS<br>OTHERWISE SPECIFIED: |        | APVD<br>S. ZHAO  | -         | PRODUCT SPEC     |   |
| 0 PLC                                     | ±      | 108-2292         |           | APPLICATION SPEC |   |
| 1 PLC                                     | ±.01   | 114-13251        |           | WEIGHT           |   |
| 2 PLC                                     | ±.05   | Customer Drawing |           | SCALE            |   |
| 3 PLC                                     | ±.0020 | Customer Drawing |           | SHEET 12 OF 20   |   |
| 4 PLC                                     | ±.0020 | Customer Drawing |           | REV G8           |   |
| ANGLES                                    | ±.0020 | Customer Drawing |           | REV G8           |   |
| FINISH                                    | ±.0020 | Customer Drawing |           | REV G8           |   |

| LOC | DIST | REVISIONS |     |             |      |     |      |
|-----|------|-----------|-----|-------------|------|-----|------|
|     |      | P         | LTN | DESCRIPTION | DATE | DWN | APVD |
| ES  | 00   | -         | -   | SEE SHEET 1 | -    | -   | -    |
|     |      |           |     |             |      |     |      |
|     |      |           |     |             |      |     |      |

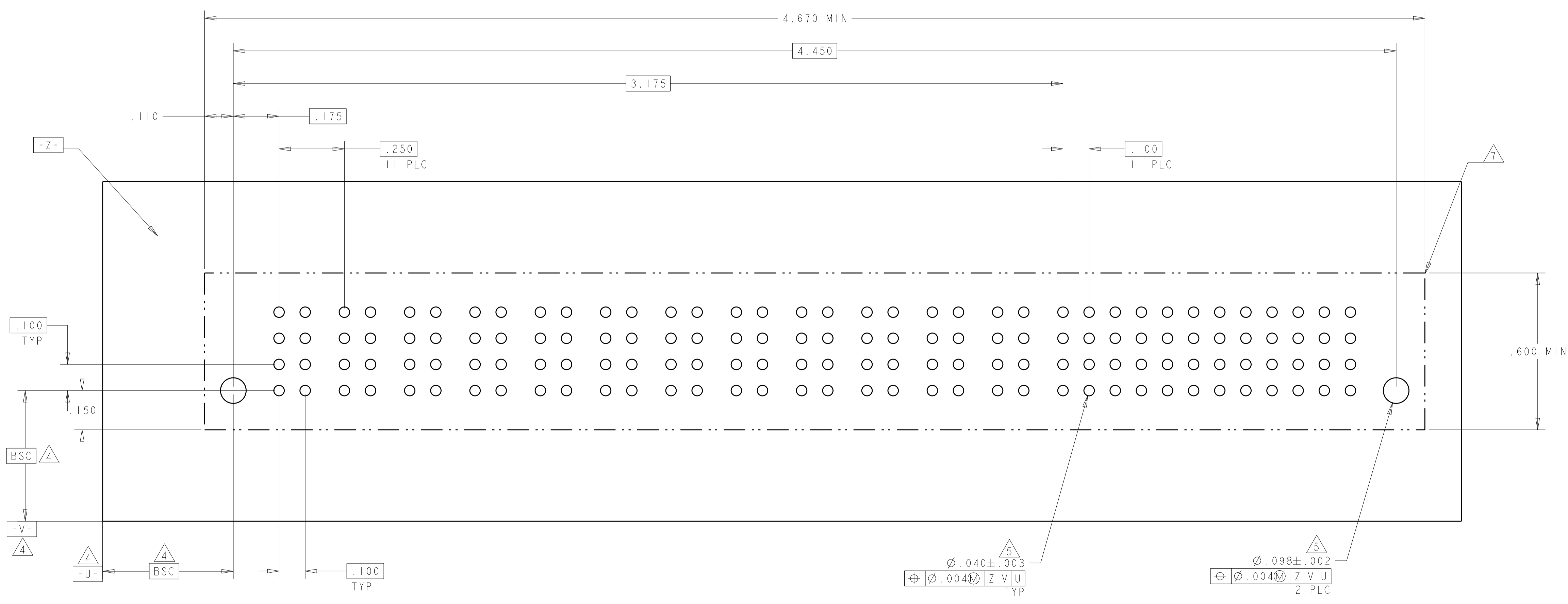
| PART NUMBER       | ROWS | POWER |    |    | SIGNAL |    |    |    |    |    | POWER |    |    |
|-------------------|------|-------|----|----|--------|----|----|----|----|----|-------|----|----|
|                   |      | P1    | P2 | P3 | 1      | 2  | 3  | 4  | 5  | 6  | P4    | P5 | P6 |
| 1-6450820-3       | D    | VM    | VM | VM | EV     | EV | EV | EV | EV | EV | VM    | VM | VM |
|                   | C    |       |    |    | EV     | EV | EV | EV | EV | EV |       |    |    |
|                   | B    |       |    |    | EV     | EV | EV | EV | EV | EV |       |    |    |
|                   | A    |       |    |    | EV     | EV | EV | EV | EV | EV |       |    |    |
| 3ACP + 24S + 3ACP |      |       |    |    |        |    |    |    |    |    |       |    |    |



|   |  |                  |           |                  |   |
|---|--|------------------|-----------|------------------|---|
| THIS DRAWING IS A CONTROLLED DOCUMENT.    |  | DWN<br>D. ZHU    | 15NOV2007 |                  | TE Connectivity   |
| DIMENSIONS:<br>INCHES                     |  | CHK<br>S. ZHAO   | 15NOV2007 |                  | NAME<br>VERTICAL HEADER ASSEMBLY W/ SHORT<br>END MODULES, PRESS FIT<br>MULTI-BEAM XLE |
| TOLERANCES UNLESS<br>OTHERWISE SPECIFIED: |  | APVD<br>S. ZHAO  | -         | PRODUCT SPEC     |   |
| 0 PLC ±                                   |  | 108-2292         |           | APPLICATION SPEC |   |
| 1 PLC ±.01                                |  | 114-13251        |           | WEIGHT           |   |
| 2 PLC ±.01                                |  | A100779C=6450820 |           | SCALE            |   |
| 3 PLC ±.005                               |  | Customer Drawing |           | SHEET 13 OF 20   |   |
| 4 PLC ±.0020                              |  |                  |           | REV G8           |   |
| ANGLES ±.2°                               |  |                  |           |                  |   |
| FINISH                                    |  |                  |           |                  |   |

| LOC |    | DIST |     | REVISIONS   |      |     |      |
|-----|----|------|-----|-------------|------|-----|------|
| ES  | 00 | P    | LTN | DESCRIPTION | DATE | DMN | APVD |
|     |    | -    |     | SEE SHEET 1 |      |     |      |
|     |    |      |     |             |      |     |      |
|     |    |      |     |             |      |     |      |

| PART NUMBER | ROWS | POWER |    |    |    |    |    |    |    |    |     |     |     | SIGNAL |    |    |    |    |    |    |    |    |    |    |    |
|-------------|------|-------|----|----|----|----|----|----|----|----|-----|-----|-----|--------|----|----|----|----|----|----|----|----|----|----|----|
|             |      | P1    | P2 | P3 | P4 | P5 | P6 | P7 | P8 | P9 | P10 | P11 | P12 | 1      | 2  | 3  | 4  | 5  | 6  | 7  | 8  | 9  | 10 | 11 | 12 |
| 1-6450820-7 | D    | VM    | VM | VM | VM | VM | VM | VM | VM | VM | VM  | VM  | VM  | EV     | EV | EV | EV | EV | EV | EV | EV | EV | EV | EV | EV |
|             | C    | VM    | VM | VM | VM | VM | VM | VM | VM | VM | VM  | VM  | VM  | EV     | EV | EV | EV | EV | EV | EV | EV | EV | EV | EV | EV |
|             | B    | VM    | VM | VM | VM | VM | VM | VM | VM | VM | VM  | VM  | VM  | EV     | EV | EV | EV | EV | EV | EV | EV | EV | EV | EV | EV |
|             | A    | VM    | VM | VM | VM | VM | VM | VM | VM | VM | VM  | VM  | VM  | EV     | EV | EV | EV | EV | EV | EV | EV | EV | EV | EV | EV |
| 12P + 48S   |      |       |    |    |    |    |    |    |    |    |     |     |     |        |    |    |    |    |    |    |    |    |    |    |    |



THIS DRAWING IS A CONTROLLED DOCUMENT.

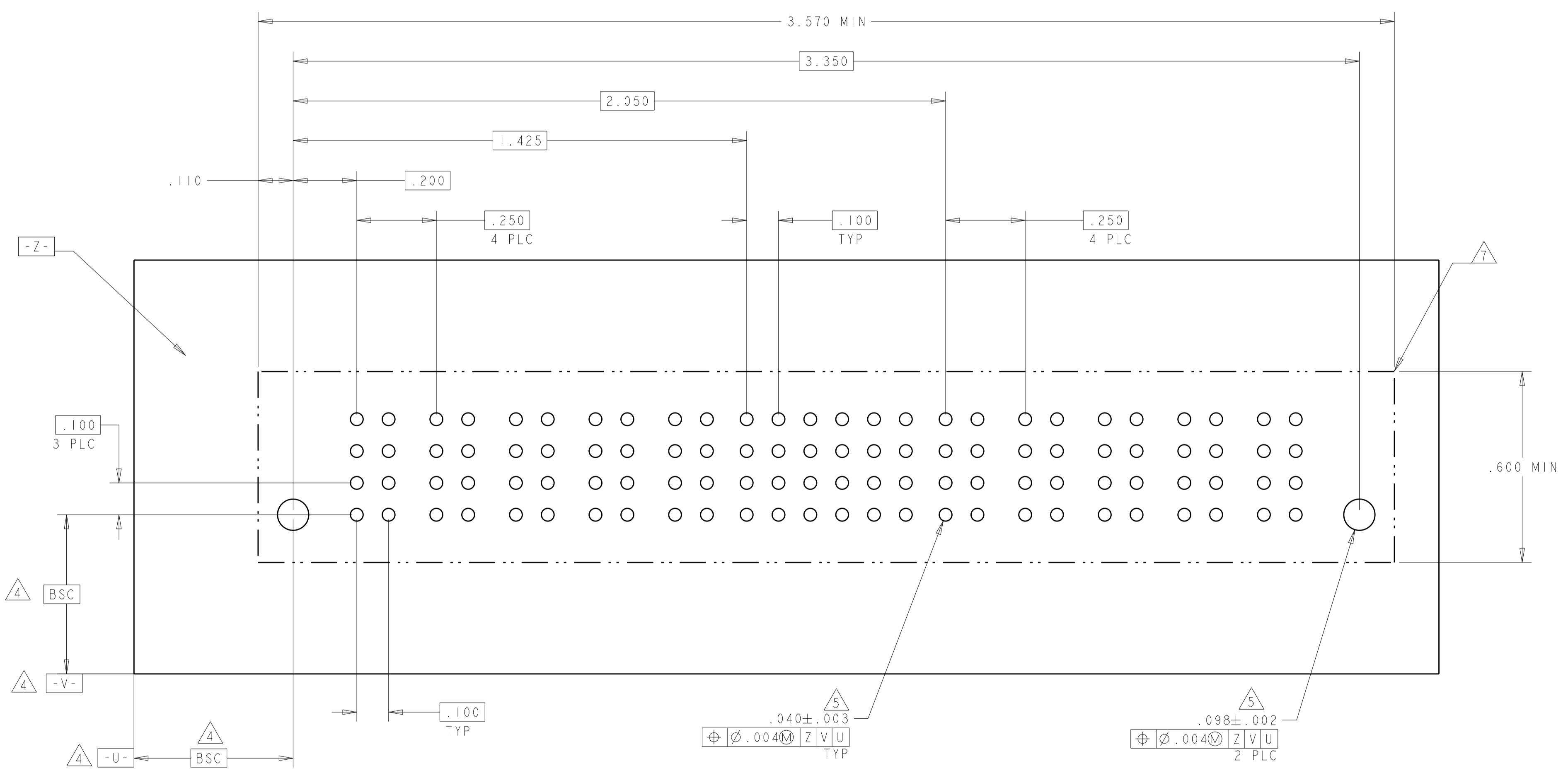
|                       |  |   |                        |
|-----------------------|--|---|------------------------|
| DIMENSIONS:<br>INCHES | TOLERANCES UNLESS OTHERWISE SPECIFIED:   | DMN<br>D. ZHU<br>CHK<br>S. ZHAO<br>APVD<br>S. ZHAO                              | 15NOV2007<br>15NOV2007 |
|                       | 0 PLC ±.<br>1 PLC ±.01<br>2 PLC ±.01<br>3 PLC ±.005<br>4 PLC ±.0020<br>ANGLES ±.2° | NAME<br>VERTICAL HEADER ASSEMBLY W/ SHORT END MODULES, PRESS FIT MULTI-BEAM XLE | RESTRICTED TO          |
| MATERIAL              | FINISH   | PRODUCT SPEC<br>108-2292  | SIZE<br>114-13251      |
|                       |  | APPLICATION SPEC  | WEIGHT                 |
|                       |  | 114-13251   | Customer Drawing       |

SCALE - SHEET 14 OF 20 REV G8



| LOC | DIST | REVISIONS   |      |     |      |
|-----|------|-------------|------|-----|------|
| P   | LTN  | DESCRIPTION | DATE | DWN | APVD |
| -   | -    | SEE SHEET 1 | -    | -   | -    |
|     |      |             |      |     |      |
|     |      |             |      |     |      |

| PART NUMBER   | ROWS             | POWER |    |    |    |    | SIGNAL |    |    |    |    |    | POWER |    |    |    |     |
|---------------|------------------|-------|----|----|----|----|--------|----|----|----|----|----|-------|----|----|----|-----|
|               |                  | P1    | P2 | P3 | P4 | P5 | 1      | 2  | 3  | 4  | 5  | 6  | P6    | P7 | P8 | P9 | P10 |
| 1-6450820-9   | D<br>C<br>B<br>A | VM    | VM | VM | VM | VM | EV     | EV | EV | EV | EV | EV | VM    | VM | VM | VM | VM  |
|               |                  |       |    |    |    |    | EV     | EV | EV | EV | EV | EV |       |    |    |    |     |
|               |                  |       |    |    |    |    | EV     | EV | EV | EV | EV | EV |       |    |    |    |     |
|               |                  |       |    |    |    |    | EV     | EV | EV | EV | EV | EV |       |    |    |    |     |
| 5P + 24S + 5P |                  |       |    |    |    |    |        |    |    |    |    |    |       |    |    |    |     |



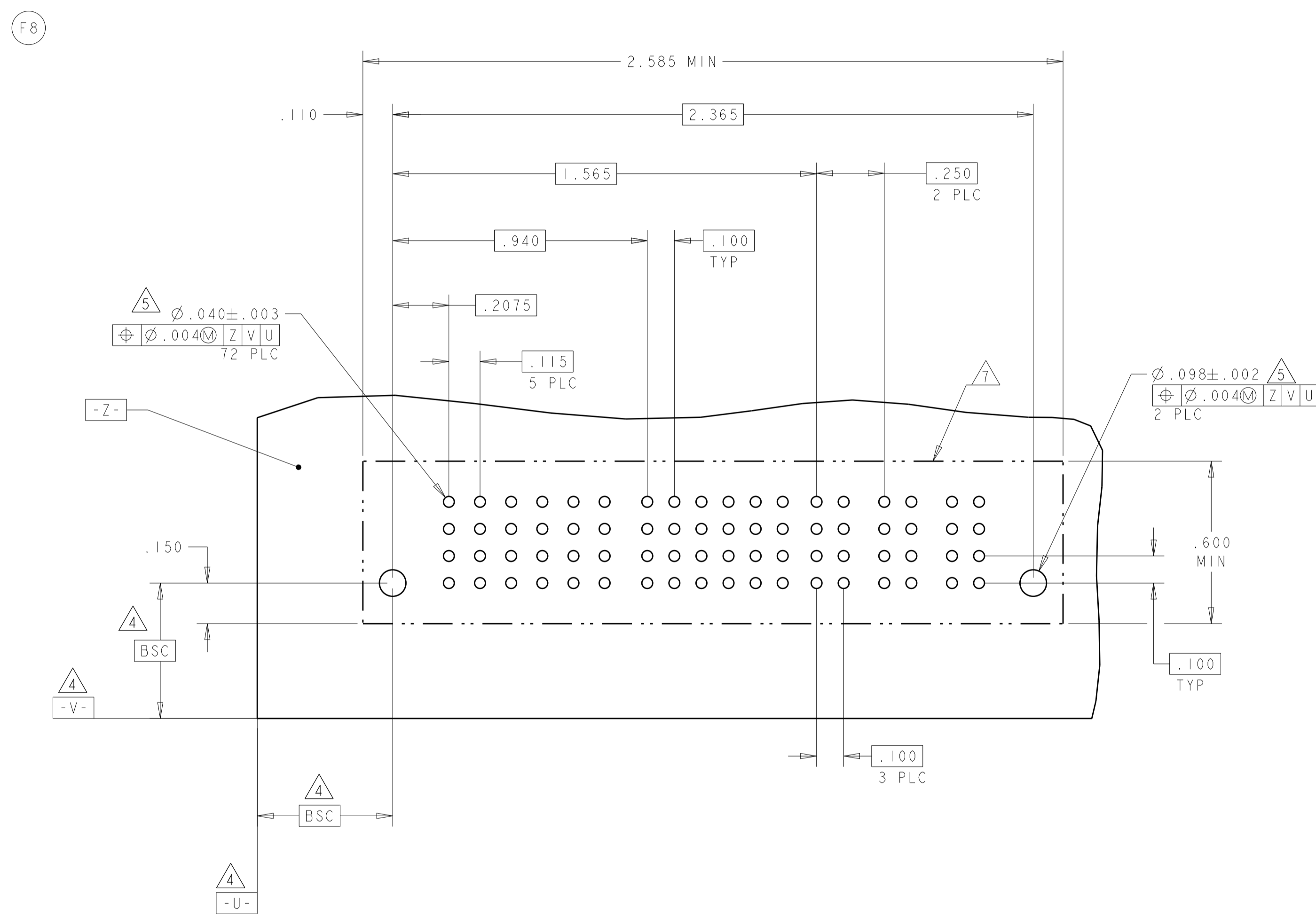
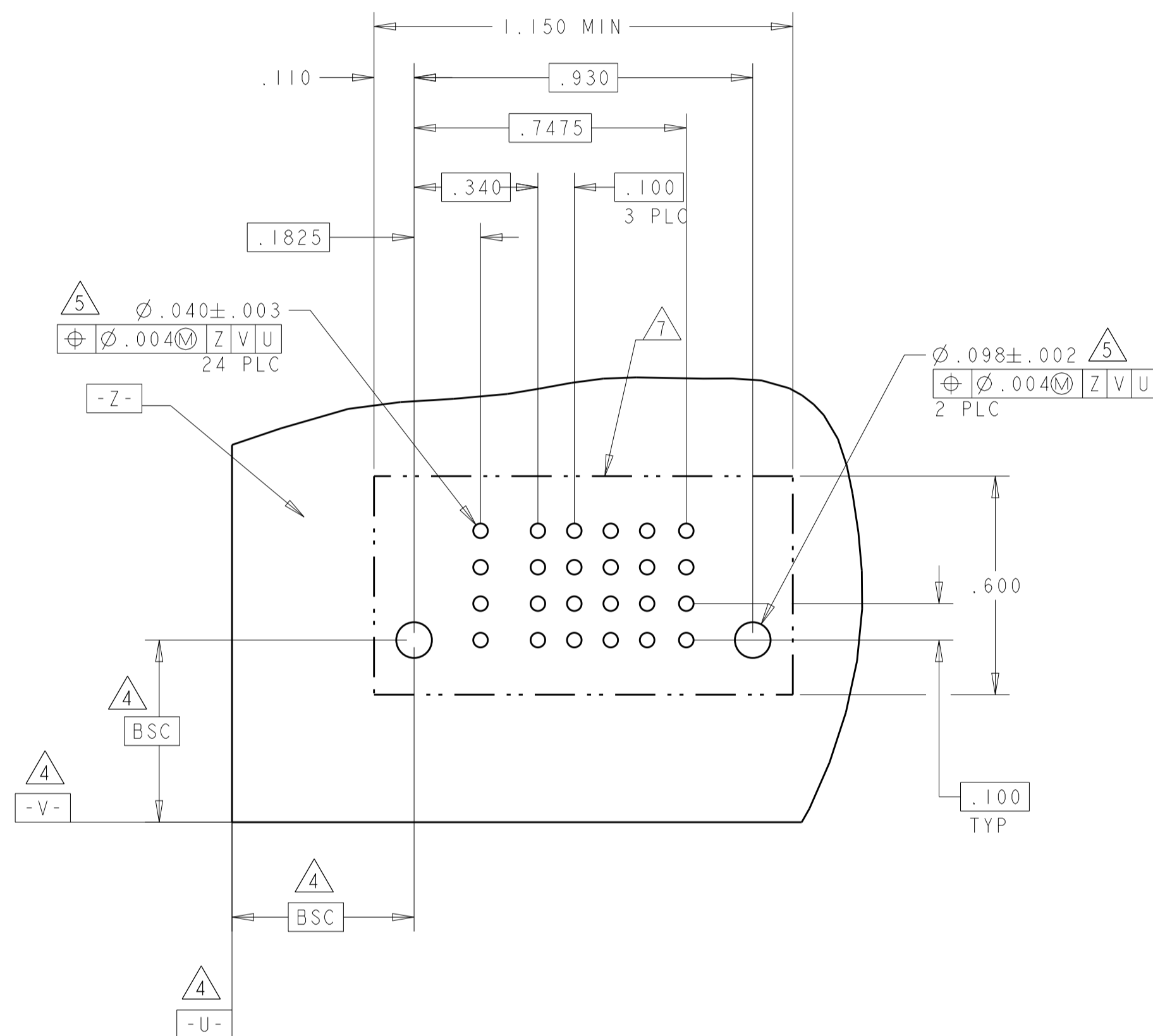
|   |  |                  |           |                               |   |
|---|--|------------------|-----------|-------------------------------|---|
| THIS DRAWING IS A CONTROLLED DOCUMENT.    |  | DWN<br>D. ZHU    | 15NOV2007 |                               | TE Connectivity   |
| DIMENSIONS:<br>INCHES                     |  | CHK<br>S. ZHAO   | 15NOV2007 |                               | NAME<br>VERTICAL HEADER ASSEMBLY W/ SHORT<br>END MODULES, PRESS FIT<br>MULTI-BEAM XLE |
| TOLERANCES UNLESS<br>OTHERWISE SPECIFIED: |  | APVD<br>S. ZHAO  | -         | PRODUCT SPEC                  |   |
| 0 PLC ±                                   |  | 108-2292         |           | APPLICATION SPEC              |   |
| 1 PLC ±.01                                |  | 114-13251        |           | RESTRICTED TO                 |   |
| 2 PLC ±.01                                |  | A100779          |           | C=6450820                     |   |
| 3 PLC ±.005                               |  | Customer Drawing |           | SCALE - SHEET 16 OF 20 REV G8 |   |
| 4 PLC ±.0020                              |  |                  |           |                               |   |
| ANGLES ±.2°                               |  |                  |           |                               |   |
| FINISH                                    |  |                  |           |                               |   |



| LOC |    | DIST |     | REVISIONS   |      |     |      |  |
|-----|----|------|-----|-------------|------|-----|------|--|
| ES  | 00 | P    | LTM | DESCRIPTION | DATE | OWN | APVD |  |
|     |    | -    |     | SEE SHEET 1 |      |     |      |  |

| PART NUMBER     | ROWS             | POWER | SIGNAL |    |    |    | POWER | HD |
|-----------------|------------------|-------|--------|----|----|----|-------|----|
|                 |                  |       | LP1    | 1  | 2  | 3  |       |    |
| 2-6450820-0     | D<br>C<br>B<br>A | LZ    | EV     | EV | EV | EV | LZ    | HD |
| 1LP + 16S + 1LP |                  |       |        |    |    |    |       |    |

| PART NUMBER    | ROWS             | POWER | LOW POWER |     |     |     |     |     | SIGNAL |    |    |    |    |    | POWER |    |    | HD |    |    |    |
|----------------|------------------|-------|-----------|-----|-----|-----|-----|-----|--------|----|----|----|----|----|-------|----|----|----|----|----|----|
|                |                  |       | LP1       | LP2 | LP3 | LP4 | LP5 | LP6 | 1      | 2  | 3  | 4  | 5  | 6  | P1    | P2 | P3 |    |    |    |    |
| 2-6450820-1    | D<br>C<br>B<br>A | LZ    | LZ        | LZ  | LZ  | LZ  | LZ  | EV  | EV     | EV | EV | EV | EV | EV | EV    | EV | EV | VM | VM | VM | HD |
| 6LP + 24S + 3P |                  |       |           |     |     |     |     |     |        |    |    |    |    |    |       |    |    |    |    |    |    |



THIS DRAWING IS A CONTROLLED DOCUMENT.

|             |  |        |           |   |                      |
|-------------|--|--------|-----------|---|----------------------|
| DIMENSIONS: | TOLERANCES UNLESS OTHERWISE SPECIFIED: | OWN    | 15NOV2007 |   | TE Connectivity      |
| INCHES      |  | CHK    | 15NOV2007 |   |                      |
|             |  | APVD   |           | NAME  |                      |
|             |  |        |           | VERTICAL HEADER ASSEMBLY W/ SHORT END MODULES, PRESS FIT MULTI-BEAM XLE |                      |
| MATERIAL    | FINISH                                 | WEIGHT | 114-13251 | SIZE  | CAGE CODE DRAWING NO |
|             |  |        |           | A100779   | C=6450820            |
|             |  |        |           | Customer Drawing  | SCALE                |
|             |  |        |           | SHEET   | 17 OF 20             |
|             |  |        |           | REV   | G8                   |

| LOC | DIST | REV | DATE | DWN | APVD | REVISIONS   |
|-----|------|-----|------|-----|------|-------------|
| ES  | 00   |     |      |     |      |             |
|     |      | -   |      |     |      | SEE SHEET 1 |

| PART NUMBER | ROWS | POWER | SIGNAL |    |
|-------------|------|-------|--------|----|
|             |      |       |        | P1 |
| 2-6450820-2 | D    | VM    | EV     |    |
|             | C    | VM    | EV     |    |
|             | B    | VM    | EV     |    |
|             | A    | VM    | EV     |    |

4ACP + 4S

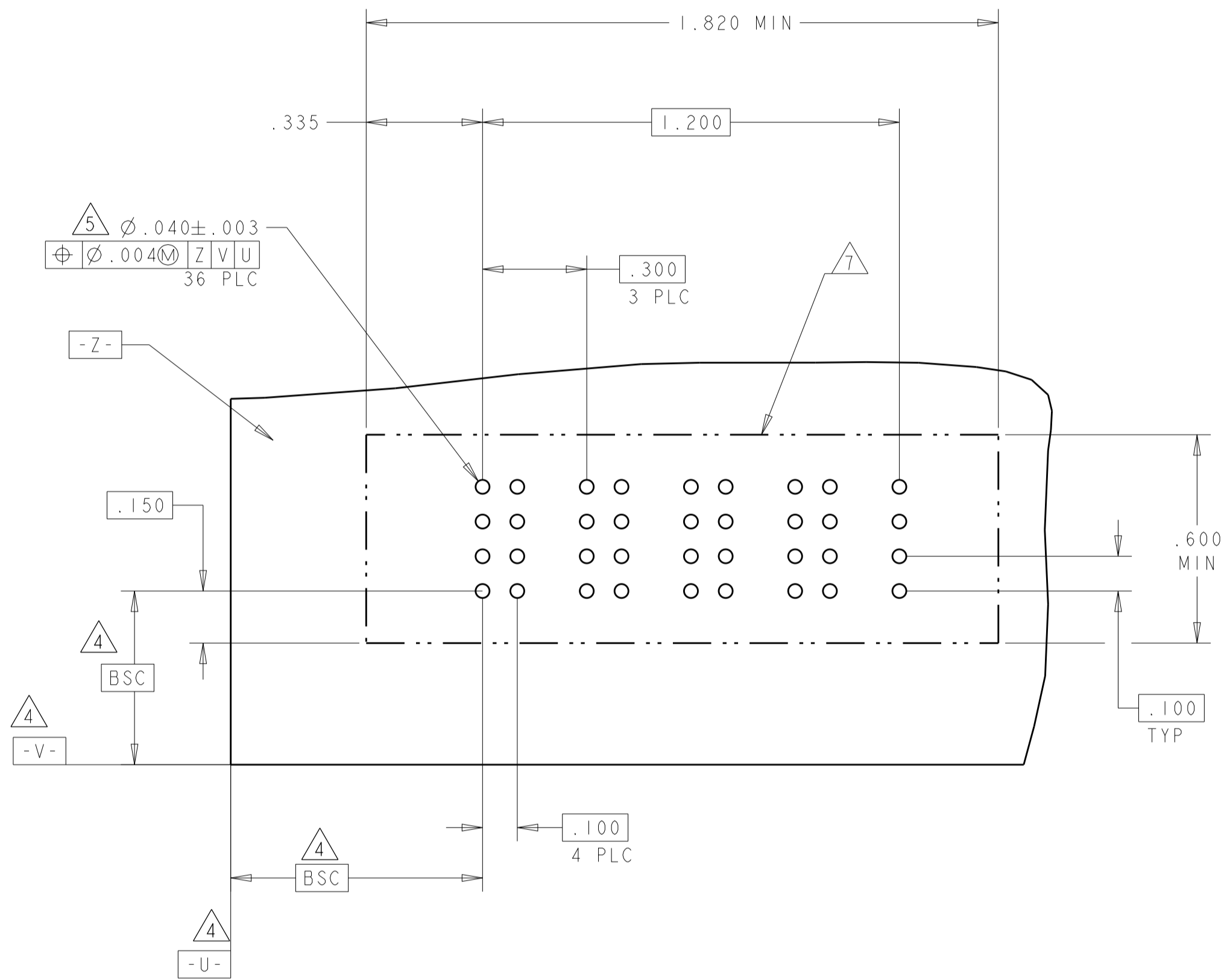
61


| PART NUMBER | ROWS | POWER | SIGNAL | POWER |    |    |    |    |    |    |    |    |   |   |   |   |   |   |   |   |   |    |    |    |    |    |    |    |    |    |    |     |     |
|-------------|------|-------|--------|-------|----|----|----|----|----|----|----|----|---|---|---|---|---|---|---|---|---|----|----|----|----|----|----|----|----|----|----|-----|-----|
|             |      |       |        |       | P1 | P2 | P3 | P4 | P5 | P6 | P7 | P8 | 1 | 2 | 3 | 4 | 5 | 6 | 7 | 8 | 9 | 10 | 11 | 12 | 13 | 14 | 15 | 16 | 17 | 18 | P9 | P10 | P11 |
| 6450820-9   | D    | VM    | EV     | VM    |    |    |    |    |    |    |    |    |   |   |   |   |   |   |   |   |   |    |    |    |    |    |    |    |    |    |    |     |     |
|             | C    | VM    | EV     | VM    |    |    |    |    |    |    |    |    |   |   |   |   |   |   |   |   |   |    |    |    |    |    |    |    |    |    |    |     |     |
|             | B    | VM    | EV     | VM    |    |    |    |    |    |    |    |    |   |   |   |   |   |   |   |   |   |    |    |    |    |    |    |    |    |    |    |     |     |
|             | A    | VM    | EV     | VM    |    |    |    |    |    |    |    |    |   |   |   |   |   |   |   |   |   |    |    |    |    |    |    |    |    |    |    |     |     |

8P + 72S + 8P

63

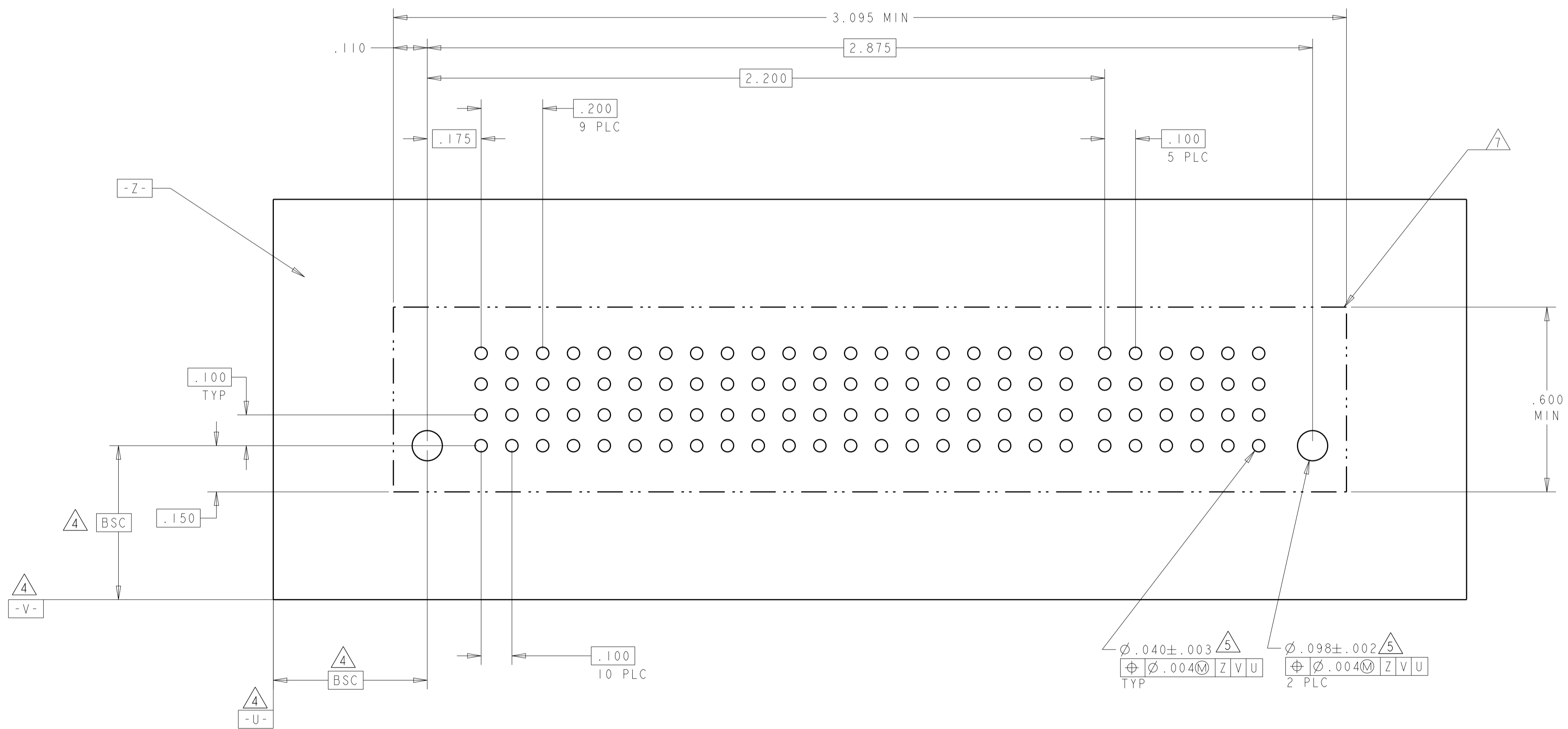
THE PCB LAYOUT IS THE SAME AS 6450820-8.



|  |  |                           |   |
|--|--|---------------------------|---|
| THIS DRAWING IS A CONTROLLED DOCUMENT. |  | DNW D. ZHU 15NOV2007      |  TE Connectivity |
| DIMENSIONS: INCHES                     |  | CHK S. ZHAO 15NOV2007     |   |
| TOLERANCES UNLESS OTHERWISE SPECIFIED: |  | APVD S. ZHAO              | NAME<br>VERTICAL HEADER ASSEMBLY W/ SHORT END MODULES, PRESS FIT MULTI-BEAM XLE                       |
| D PLC ±.01                             |  | PRODUCT SPEC              |   |
| P PLC ±.01                             |  | 108-2292                  |   |
| S PLC ±.005                            |  | APPLICATION SPEC          |   |
| 4 PLC ±.0020                           |  | SIZE CAGE CODE DRAWING NO | RESTRICTED TO   |
| ANGLES ±2°                             |  | 114-13251                 | A100779C=6450820  |
| FINISH                                 |  | WEIGHT                    | SCALE - SHEET 18 OF 20 REV G8   |
| MATERIAL                               |  | Customer Drawing          |   |

| LOC | DIST | REVISIONS     |      |     |      |
|-----|------|---------------|------|-----|------|
| P   | LTH  | DESCRIPTION   | DATE | DMN | APVD |
| ES  | 00   | - SEE SHEET 1 | -    | -   | -    |
|     |      |               |      |     |      |
|     |      |               |      |     |      |

| PART NUMBER | ROWS | POWER |    |    |    |    |    |    |    |    |     | SIGNAL |    |    |    |    |    |
|-------------|------|-------|----|----|----|----|----|----|----|----|-----|--------|----|----|----|----|----|
|             |      | P1    | P2 | P3 | P4 | P5 | P6 | P7 | P8 | P9 | P10 | 1      | 2  | 3  | 4  | 5  | 6  |
| 2-6450820-3 | D    | VM    | VM | VM | VM | VM | VM | VM | VM | VM | VM  | EV     | EV | EV | EV | EV | EV |
|             | C    |       |    |    |    |    |    |    |    |    |     | EV     | EV | EV | EV | EV | EV |
|             | B    |       |    |    |    |    |    |    |    |    |     | EV     | EV | EV | EV | EV | EV |
|             | A    |       |    |    |    |    |    |    |    |    |     | EV     | EV | EV | EV | EV | EV |
| 10HDP + 24S |      | HD    |    |    |    |    |    |    |    |    |     |        | HD |    |    |    |    |



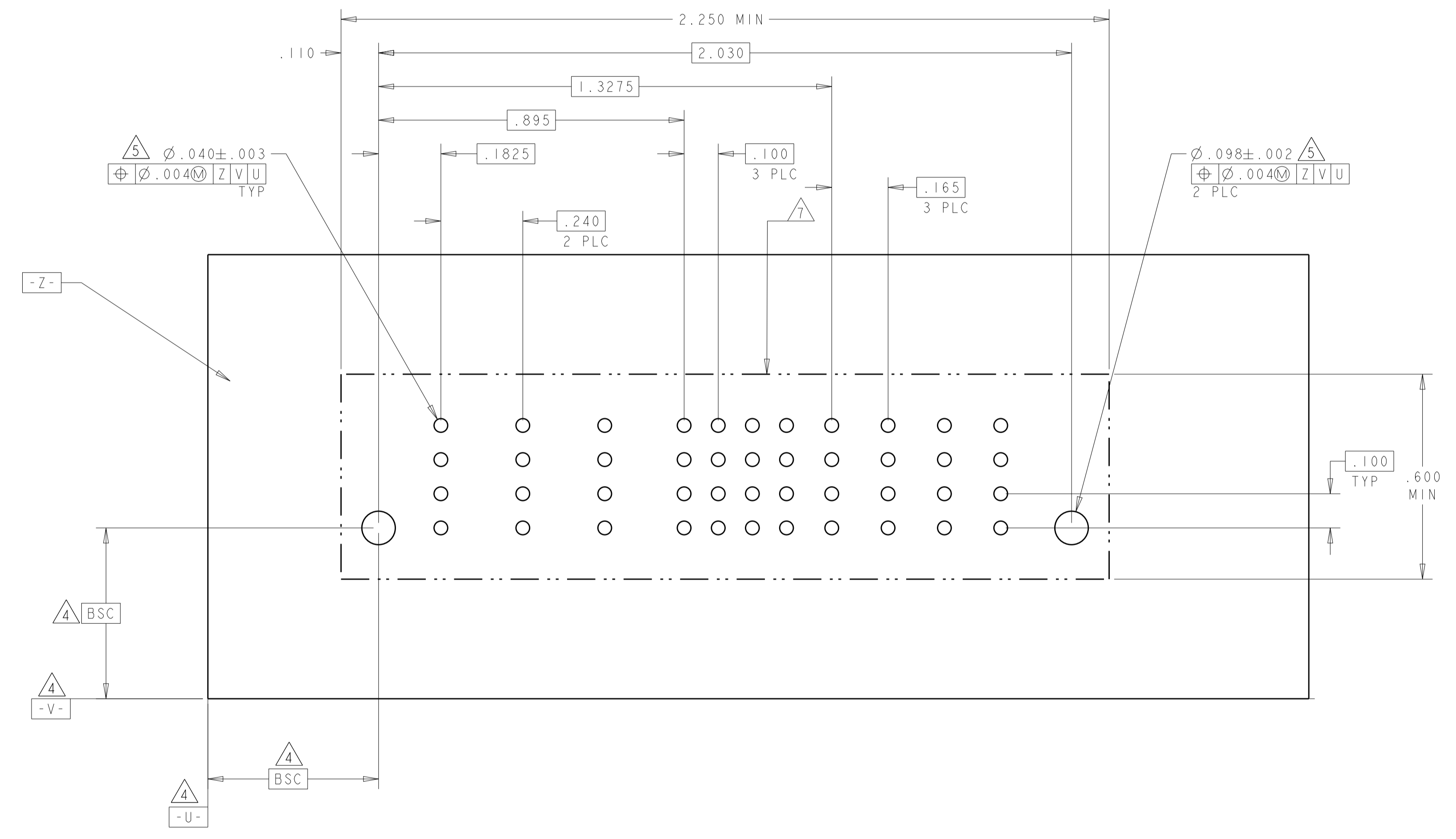
THIS DRAWING IS A CONTROLLED DOCUMENT.

|                       |   |   |   |   |
|-----------------------|---|---|---|---|
| DIMENSIONS:<br>INCHES | TOLERANCES UNLESS OTHERWISE SPECIFIED:<br>0 PLC ±.<br>1 PLC ±.01<br>2 PLC ±.01<br>3 PLC ±.005<br>4 PLC ±.0020<br>ANGLES ±2° | DMN<br>D. ZHU<br>CHK<br>S. ZHAO<br>APVD<br>S. ZHAO                  | 15NOV2007<br>15NOV2007                    | TE Connectivity<br><b>NAME</b><br>VERTICAL HEADER ASSEMBLY W/ SHORT END MODULES, PRESS FIT MULTI-BEAM XLE |
| MATERIAL              | FINISH  | PRODUCT SPEC<br>108-2292<br>APPLICATION SPEC<br>114-13251<br>WEIGHT | SIZE<br>A100779<br>CAGE CODE<br>C=6450820 |   |

Customer Drawing SCALE - SHEET 19 OF 20 REV G8

| LOC | DIST | REVISIONS |     |             |      |     |      |
|-----|------|-----------|-----|-------------|------|-----|------|
|     |      | P         | LTN | DESCRIPTION | DATE | DWN | APVD |
| ES  | 00   | -         | -   | SEE SHEET 1 | -    | -   | -    |
|     |      |           |     |             |      |     |      |
|     |      |           |     |             |      |     |      |

| PART NUMBER     | ROWS | HD          | POWER |     |     | SIGNAL |    |    |    | POWER |     |     |     | HD |
|-----------------|------|-------------|-------|-----|-----|--------|----|----|----|-------|-----|-----|-----|----|
|                 |      |             | LP1   | LP2 | LP3 | 1      | 2  | 3  | 4  | LP4   | LP5 | LP6 | LP7 |    |
| 2-6450820-5     | D    | C<br>B<br>A | LZ    | LZ  | LZF | EV     | EV | EV | ES | LZ    | LZ  | LZ  | LZ  |    |
|                 | EV   |             |       |     |     | EV     | EV | EV |    |       |     |     |     |    |
|                 | EV   |             |       |     |     | EV     | EV | EV |    |       |     |     |     |    |
|                 | EV   |             |       |     |     | EV     | EV | EV |    |       |     |     |     |    |
| 3LP + 16S + 4LP |      |             |       |     |     |        |    |    |    |       |     |     |     |    |



THIS DRAWING IS A CONTROLLED DOCUMENT.

|  |                  |   |
|--|------------------|---|
| DWN: D. ZHU                            | 15NOV2007        | <b>STE</b> TE Connectivity  |
| CHK: S. ZHAO                           | 15NOV2007        |   |
| DIMENSIONS: INCHES                     |                  | NAME: VERTICAL HEADER ASSEMBLY W/ SHORT END MODULES, PRESS FIT MULTI-BEAM XLE |
| TOLERANCES UNLESS OTHERWISE SPECIFIED: |                  |   |
| 0 PLC ± .01                            | PRODUCT SPEC     |   |
| 1 PLC ± .01                            | 108-2292         |   |
| 2 PLC ± .01                            | APPLICATION SPEC | SIZE: 114-13251   |
| 3 PLC ± .005                           | 114-13251        | RESTRICTED TO: -  |
| 4 PLC ± .0020                          | WEIGHT: -        | A100779C=6450820  |
| ANGLES: ± 2°                           | FINISH: -        | Customer Drawing  |
| MATERIAL: -                            |                  | SCALE: - SHEET 20 OF 20 REV: G8   |



Компания «ЭлектроПласт» предлагает заключение долгосрочных отношений при поставках импортных электронных компонентов на взаимовыгодных условиях!

Наши преимущества:

- Оперативные поставки широкого спектра электронных компонентов отечественного и импортного производства напрямую от производителей и с крупнейших мировых складов;
- Поставка более 17-ти миллионов наименований электронных компонентов;
- Поставка сложных, дефицитных, либо снятых с производства позиций;
- Оперативные сроки поставки под заказ (от 5 рабочих дней);
- Экспресс доставка в любую точку России;
- Техническая поддержка проекта, помощь в подборе аналогов, поставка прототипов;
- Система менеджмента качества сертифицирована по Международному стандарту ISO 9001;
- Лицензия ФСБ на осуществление работ с использованием сведений, составляющих государственную тайну;
- Поставка специализированных компонентов (Xilinx, Altera, Analog Devices, Intersil, Interpoint, Microsemi, Aeroflex, Peregrine, Syfer, Eurofarad, Texas Instrument, Miteq, Cobham, E2V, MA-COM, Hittite, Mini-Circuits, General Dynamics и др.);

Помимо этого, одним из направлений компании «ЭлектроПласт» является направление «Источники питания». Мы предлагаем Вам помощь Конструкторского отдела:

- Подбор оптимального решения, техническое обоснование при выборе компонента;
- Подбор аналогов;
- Консультации по применению компонента;
- Поставка образцов и прототипов;
- Техническая поддержка проекта;
- Защита от снятия компонента с производства.



#### Как с нами связаться

**Телефон:** 8 (812) 309 58 32 (многоканальный)

**Факс:** 8 (812) 320-02-42

**Электронная почта:** [org@eplast1.ru](mailto:org@eplast1.ru)

**Адрес:** 198099, г. Санкт-Петербург, ул. Калинина, дом 2, корпус 4, литера А.