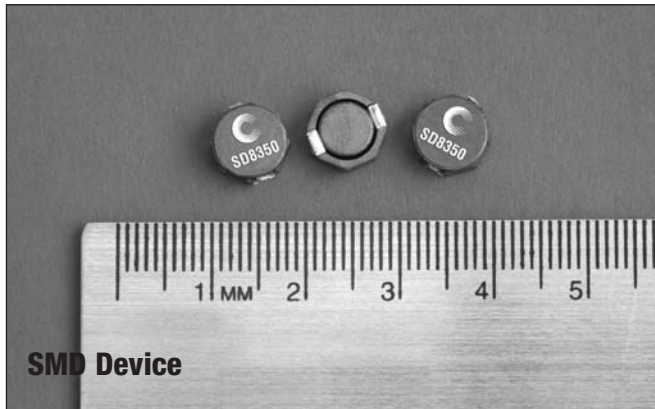


Shielded Power Inductors

SD8350 Series



Description

- Halogen free, lead free
- 125°C maximum total temperature operation
- Low-profile surface mount inductor
- 9.5 x 8.3 x 4.5mm shielded drum core
- Ferrite core material
- Inductance range from 1.5µH to 100µH
- Current range from 0.8 Amps to 9.1 Amps
- Frequency range up to 1MHz
- RoHS Compliant

Applications

- Server/notebook power
- High power LED driver, portable devices
- Base station, telecom, and networking
- Battery chargers, RAM power supply
- Industrial and automotive power systems
- Noise filtering output filter chokes
- Buck/boost converters, output converters

Environmental Data

- Storage temperature range: -40°C to +125°C
- Operating temperature range: -40°C to +125°C (ambient plus self temperature rise)
- Solder reflow temperature: J-STD-020D compliant

Packaging

- Supplied in tape and reel packaging, 750 parts per 13 inch dia. reel

Product Specifications							
Part Number	Rated Inductance (µH)	OCL ¹ µH±30%	I _{rms} ² (Amps)	I _{sat} ³ (Amps)	DCR mΩ @ 20°C Typical	DCR mΩ @ 20°C Maximum	K-factor ⁴
SD8350-1R8-R	1.8	1.5	5.50	9.1	11.8	14.0	16.0
SD8350-3R9-R	3.9	3.2	4.50	6.3	16.2	19.0	9.6
SD8350-4R7-R	4.7	4.2	4.10	5.5	18.5	22.0	8.5
SD8350-6R8-R	6.8	6.8	3.90	4.4	20.8	25.0	7.6
SD8350-100-R	10	9.9	3.20	4.0	31.4	36.0	6.3
SD8350-150-R	15	13.6	2.30	2.9	45.0	53.0	5.3
SD8350-220-R	22	20.4	1.80	2.6	63.5	75.0	4.4
SD8350-330-R	33	31.4	1.40	2.2	111.4	125.0	3.5
SD8350-470-R	47	44.9	1.30	1.8	130.0	150.0	2.9
SD8350-680-R	68	65.1	1.00	1.5	200.8	240.0	2.4
SD8350-101-R	100	99.7	0.80	1.3	308.0	360.0	2.0

1. Open Circuit Inductance Test Parameters: 100kHz, 0.1V, 0.0Adc.

2. I_{rms}: DC current for an approximate ΔT of 40°C without core loss. Derating is necessary for AC currents. PCB layout, trace thickness and width, air-flow, and proximity of other heat generating components will affect the temperature rise. It is recommended that the temperature of the part not exceed 125°C under worst case operating conditions verified in the end application.

3. I_{sat} Amps peak for approximately 35% rolloff (@25°C)

4. K-factor: Used to determine B_{p-p} for core loss (see graph).

B_{p-p} = K²L²ΔI, B_{p-p} (mT), K: (K factor from table), L: (Inductance in µH), ΔI (Peak to peak ripple current in Amps).

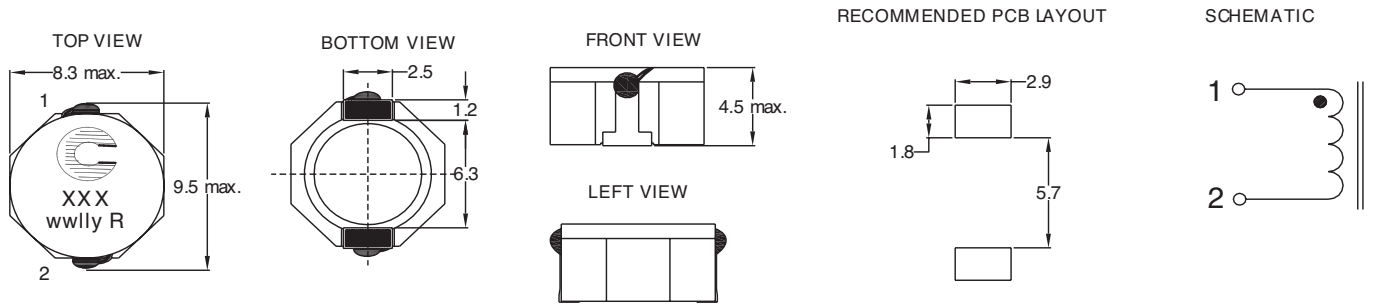
5. Part Number Definition: SD8350-xxx-R

SD8350 = Product code and size; -xxx = Inductance value in µH;

R = decimal point; If no R is present, third character = # of zeros.

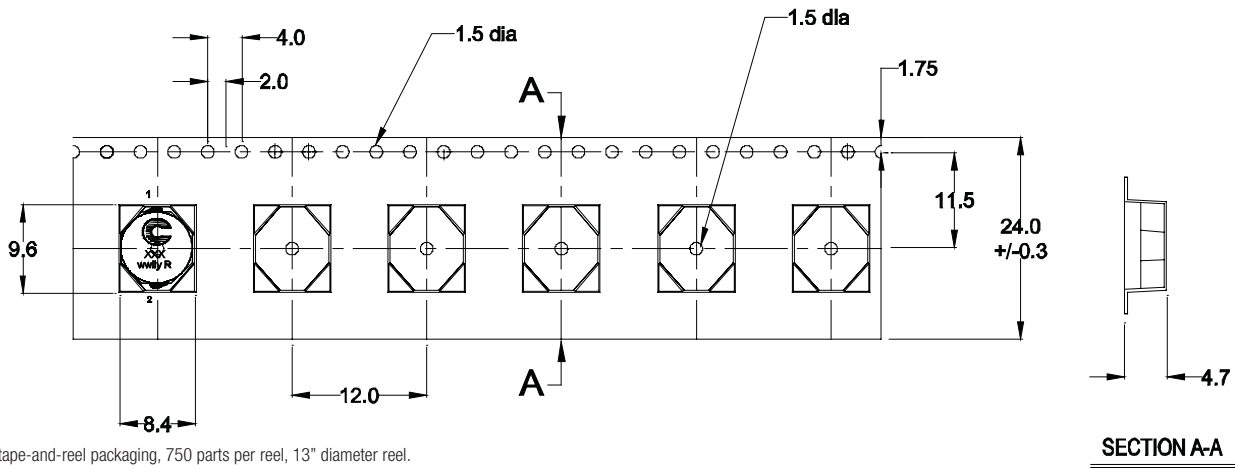
-R suffix = RoHS compliant

Dimensions - mm



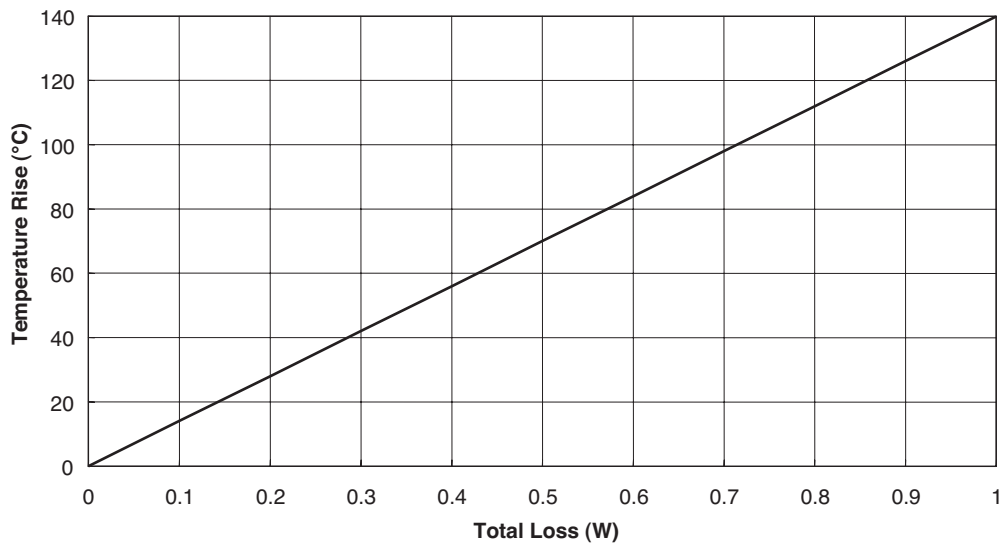
Part Marking: Coiltronics logo xxx = Inductance value in μH . (R = Decimal point). If no R is present, third character = number of zeros wwly - or - wwlyy = Date code R = Revision level

Packaging Information - mm

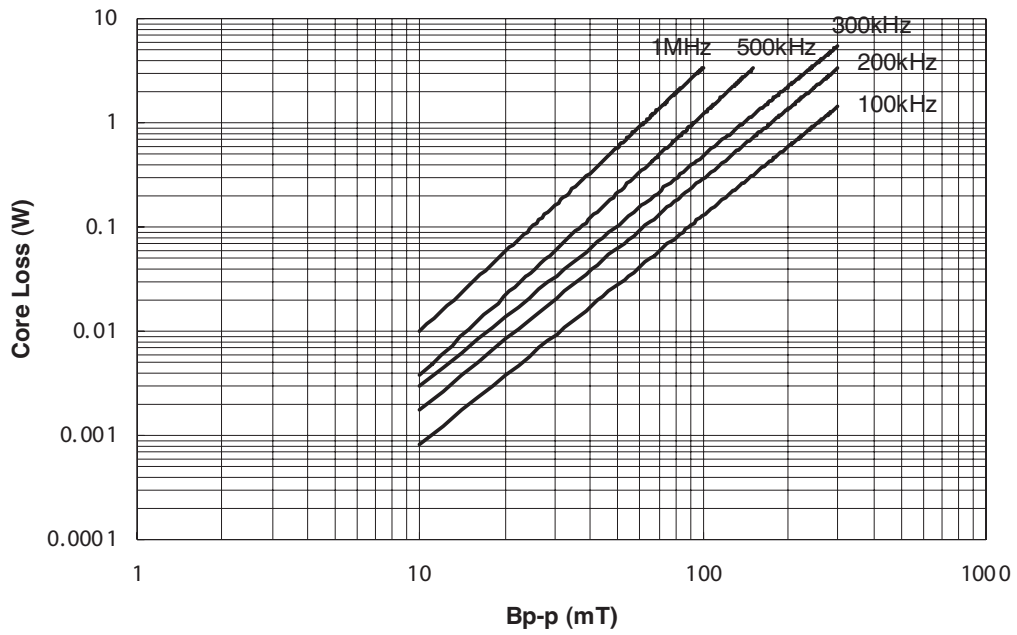


Supplied in tape-and-reel packaging, 750 parts per reel, 13" diameter reel.

Temperature Rise vs. Total Loss

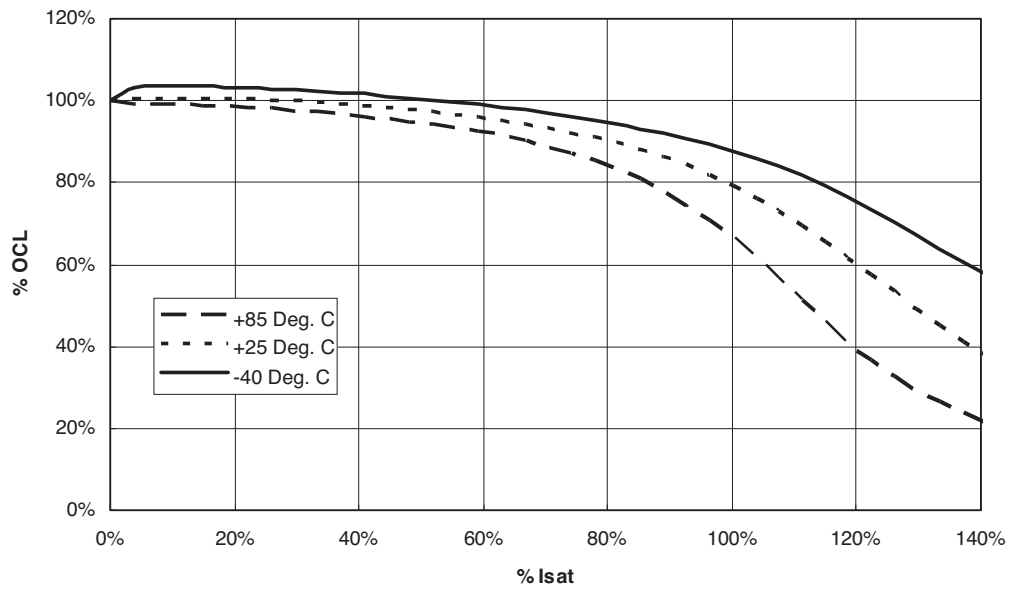


Core Loss



Inductance Characteristics

OCL Vs. Isat



Solder Reflow Profile

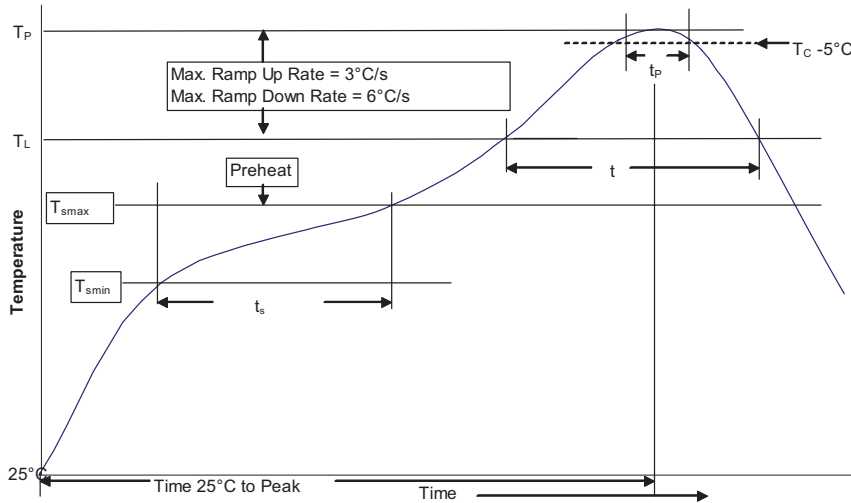


Table 1 - Standard SnPb Solder (T_c)

Package Thickness	Volume mm^3 <350	Volume mm^3 ≥ 350
<2.5mm	235°C	220°C
$\geq 2.5\text{mm}$	220°C	220°C

Table 2 - Lead (Pb) Free Solder (T_c)

Package Thickness	Volume mm^3 <350	Volume mm^3 350 - 2000	Volume mm^3 >2000
<1.6mm	260°C	260°C	260°C
1.6 - 2.5mm	260°C	250°C	245°C
$>2.5\text{mm}$	250°C	245°C	245°C

Reference JDEC J-STD-020D

Profile Feature	Standard SnPb Solder	Lead (Pb) Free Solder
Preheat and Soak		
• Temperature min. (T_{smin})	100°C	150°C
• Temperature max. (T_{smax})	150°C	200°C
• Time (T_{smin} to T_{smax}) (t_s)	60-120 Seconds	60-120 Seconds
Average ramp up rate T_{smax} to T_p	3°C/ Second Max.	3°C/ Second Max.
Liquidous temperature (T_L)	183°C	217°C
Time at liquidous (t_L)	60-150 Seconds	60-150 Seconds
Peak package body temperature (T_p)*	Table 1	Table 2
Time (t_p)** within 5 °C of the specified classification temperature (T_c)	20 Seconds**	30 Seconds**
Average ramp-down rate (T_p to T_{smax})	6°C/ Second Max.	6°C/ Second Max.
Time 25°C to Peak Temperature	6 Minutes Max.	8 Minutes Max.

* Tolerance for peak profile temperature (T_p) is defined as a supplier minimum and a user maximum.

** Tolerance for time at peak profile temperature (t_p) is defined as a supplier minimum and a user maximum.

North America

Cooper Electronic Technologies
1225 Broken Sound Parkway NW
Suite F
Boca Raton, FL 33487-3533
Tel: 1-561-998-4100
Fax: 1-561-241-6640
Toll Free: 1-888-414-2645

Cooper Bussmann
P.O. Box 14460
St. Louis, MO 63178-4460
Tel: 1-636-394-2877
Fax: 1-636-527-1607

Europe

Cooper Electronic Technologies
Cooper (UK) Limited
Burton-on-the-Wolds
Leicestershire • LE12 5TH UK
Tel: +44 (0) 1509 882 737
Fax: +44 (0) 1509 882 786

Cooper Electronic Technologies
Avda. Santa Eulalia, 290
08223
Terrassa, (Barcelona), Spain
Tel: +34 937 362 812
+34 937 362 813
Fax: +34 937 362 719

Asia Pacific

Cooper Electronic Technologies
1 Jalan Kilang Timor
#06-01 Pacific Tech Centre
Singapore 159303
Tel: +65 278 6151
Fax: +65 270 4160

The only controlled copy of this Data Sheet is the electronic read-only version located on the Cooper Bussmann Network Drive. All other copies of this document are by definition uncontrolled. This bulletin is intended to clearly present comprehensive product data and provide technical information that will help the end user with design applications. Cooper Bussmann reserves the right, without notice, to change design or construction of any products and to discontinue or limit distribution of any products. Cooper Bussmann also reserves the right to change or update, without notice, any technical information contained in this bulletin. Once a product has been selected, it should be tested by the user in all possible applications.

Life Support Policy: Cooper Bussmann does not authorize the use of any of its products for use in life support devices or systems without the express written approval of an officer of the Company. Life support systems are devices which support or sustain life, and whose failure to perform, when properly used in accordance with instructions for use provided in the labeling, can be reasonably expected to result in significant injury to the user.



Компания «ЭлектроПласт» предлагает заключение долгосрочных отношений при поставках импортных электронных компонентов на взаимовыгодных условиях!

Наши преимущества:

- Оперативные поставки широкого спектра электронных компонентов отечественного и импортного производства напрямую от производителей и с крупнейших мировых складов;
- Поставка более 17-ти миллионов наименований электронных компонентов;
- Поставка сложных, дефицитных, либо снятых с производства позиций;
- Оперативные сроки поставки под заказ (от 5 рабочих дней);
- Экспресс доставка в любую точку России;
- Техническая поддержка проекта, помощь в подборе аналогов, поставка прототипов;
- Система менеджмента качества сертифицирована по Международному стандарту ISO 9001;
- Лицензия ФСБ на осуществление работ с использованием сведений, составляющих государственную тайну;
- Поставка специализированных компонентов (Xilinx, Altera, Analog Devices, Intersil, Interpoint, Microsemi, Aeroflex, Peregrine, Syfer, Eurofarad, Texas Instrument, Miteq, Cobham, E2V, MA-COM, Hittite, Mini-Circuits, General Dynamics и др.);

Помимо этого, одним из направлений компании «ЭлектроПласт» является направление «Источники питания». Мы предлагаем Вам помощь Конструкторского отдела:

- Подбор оптимального решения, техническое обоснование при выборе компонента;
- Подбор аналогов;
- Консультации по применению компонента;
- Поставка образцов и прототипов;
- Техническая поддержка проекта;
- Защита от снятия компонента с производства.



Как с нами связаться

Телефон: 8 (812) 309 58 32 (многоканальный)

Факс: 8 (812) 320-02-42

Электронная почта: org@eplast1.ru

Адрес: 198099, г. Санкт-Петербург, ул. Калинина, дом 2, корпус 4, литера А.